

PROFESSIONAL GAS COOKTOPS

CS-366 | CS-364GD | CS-364GL

36" Gas Cooktop (as shown) | CS-366



PROFESSIONAL CHEFS DEMAND PERFORMANCE WHEN THEY COOK. SO SHOULD YOU. BECAUSE DCS IS THE ONLY MAJOR MANUFACTURER TO CRAFT BOTH COMMERCIAL AND RESIDENTIAL COOKING EQUIPMENT, WE HAVE A UNIQUE EXPERIENCE IN CREATING PRODUCTS WITH EXCEPTIONAL PERFORMANCE.

OUR TIRELESS PURSUIT OF PROFESSIONAL PERFORMANCE HAS LEAD TO SEVERAL UNIQUE FEATURES, MANY OF WHICH YOU WILL NOT FIND ON OTHER RESIDENTIAL COOKING EQUIPMENT.

FASTER BOILING TIME: There are some occasions in cooking when you simply need more power: when preparing fried tempura, sautéed noodles or blanched vegetables, for example. The DCS sealed Dual Flow Burners™ deliver 17,500 Btu's, the most in the category. Simply stated, nothing boils water faster. This means more impressive dinner in a shorter time.

CONSISTENTLY LOWER SIMMER TEMPERATURE: Turn other residential burners down to simmer and the flame looks much the same as before, only smaller. Not so at DCS. The primary flame on our sealed Dual Flow Burners™ shuts off automatically when you turn it to simmer, leaving a smaller "retention flame" burning. This allows you to maintain a constant simmer temperature as low as 140 degrees, for an efficient and safe simmer. This means no more scalding delicate sauces.

GRIDDLE OR GRILL: Our 36" cooktops are available with your choice of an optional 18,000 Btu Griddle or Grill.

- Grill models incorporate our ceramic radiant technology that provides intense and even radiant heat across the entire grilling surface. In addition to our patented Grease Management System™ that reduces flare-ups by effectively channeling oils and grease away from the flame and into a removable stainless steel drip-tray.
- Griddle models utilize a commercial grade stainless steel, Blanchard ground griddle that ensures a level cooking surface and even heat distribution.

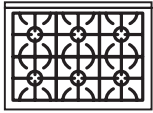
MORE EXCEPTIONAL FEATURES: Sealed cooktops have been designed for easy cleanup. Platform style surface grates allow you to move heavy pots and pans from one burner to another without lifting. This means easier and safer cooking.

At DCS we couple power with precision to attain your most essential cooking ingredient: PERFECT HEAT™.

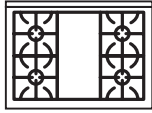


PERFECT HEAT™

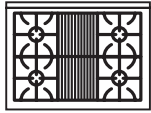
Possible Cooktop Configurations:



CS-366



CS-364GD



CS-364GL

MODEL NUMBER	CS-366	CS-364GD	CS-364GL
# OF SEALED, DUAL FLOW BURNERS™	6	4	4
DUAL FLOW BURNER™ Btu/hr*	17,500	17,500	17,500
GRILL Btu/hr*			18,000
GRIDDLE Btu/hr*		18,000	
SEALED COOKING SURFACE	•	•	•
GREASE MANAGEMENT SYSTEM™		•	•
POWER	Gas	Gas	Gas
SHIPPING WEIGHT, LBS.	230	230	230

*Btu ratings shown for Natural gas only. Propane Btu ratings may vary.

Power Requirements:

- ▶ 120V 60Hz
- ▶ 3 wire 15 amp circuit

Gas Requirements:

- ▶ 1/2 NPT, Min. 5/8" dia. flex line
- ▶ Pressure: 6" to 14" W.C. (Nat.)
- ▶ Pressure: 11" to 14" W.C. (LP)

Recommended Accessories:

VENTILATION:

- ▶ Wall Mount Vent Hood (VH-36)
- ▶ Island Vent Hood (IVH-36)
- ▶ Euro Vent Hood (EH-36)
- ▶ Grill models require 1,200 CFM Vent Hood (VH-12-36)

BACKGUARD SYSTEM:

- ▶ Low backguard (model BGC-1236)
- ▶ Full backguard (model BGC-3036)

Available Colors:

COOKTOP COLORS:

- ▶ Stainless Steel

TRIM OPTION:

- ▶ Brass

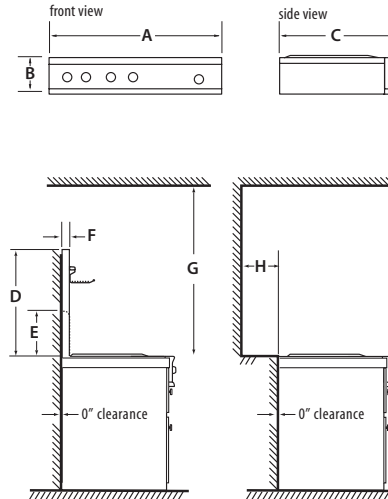
Ordering Data:

- ▶ Please specify brass trim when ordering
- ▶ Please specify gas type (natural or propane) when ordering

Warranty

All Gas Cooktops are covered by a one (1) year comprehensive parts and labor warranty. In addition, a five (5) year limited parts warranty covers specific parts that vary by model. Please see the product Use and Care Manual for the specified parts covered under this warranty. A lifetime warranty covers all stainless steel components against manufacture related defects. This excludes discoloration or surface corrosion resulting from improper use and care. Please refer to product Use and Care Manual for proper care and maintenance.

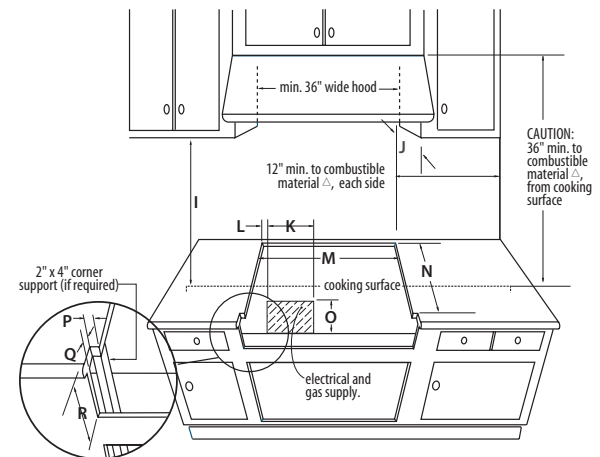
Product Dimensions:



- A) 35-7/8"
- B) 8-7/8"
- C) 26-1/2"
- D) 30" full backguard
- E) 12" low backguard
- F) 15/16"
- G) 36" min. to combustibles Δ
- H) 12" min. to combustibles Δ

Note: All 36" Cooktops are shipped standard with non-removable integral island trim and may be installed with 0" clearance from non-combustible material and 12" clearance from combustible material. If installing with less than a 12" clearance from combustible material, one of the two DCS wall mount backguards is required.

Cabinet Preparation:



- I) 18" min.
- J) 13" max.
- K) 7"
- L) 2"
- M) 34-15/16"
- N) 22-3/4"
- O) 16"
- P) 1/2"
- Q) 0~2-1/2"
- R) 8"

Δ As defined in the "National Fuel Gas Code" (ANSI Z223.1, latest edition).

The horizontal surfaces of the range top (cooktop) trim must not be below countertop level.



PERFECT HEAT™

For more information on our complete line of residential kitchen appliances or to find out more about our outdoor product line, please call 1.800.433.8466 or visit www.dcsappliances.com

©2003 DCS 5800 Skylab Road, Huntington Beach, CA 92647

P/N 17596 REV. A 01/03



Because of continuing product improvement these specifications are subject to change without notice.