

The Drop-In Wok by DCS

Standard Features

- With 30,000 BTUs.
- The Drop-in Single Burner Wok can also accommodate on over-sized stock pot.
- Color option:
 Classic Stainless
- Recommended Vent Hoods:
DCS-VH-30HS
DCS-VH-30S



DCS-C-24W

Wok cooking is synonymous with health. The DCS Professional Drop-in Wok allows you to harness the ancient wisdom of Chinese cooking and give it a modern touch. We offer speed and power with an exceptionally powerful 30,000 BTU single burner. You'll create professional style stir-fry, or cook your favorite soups and pastas in a large pot, in just minutes. Complete with the DCS exclusive rounded bull-nose corners, and a fully extendible drip pan. You'll rest assured knowing you are cooking in a powerful, single-burner dynamo.



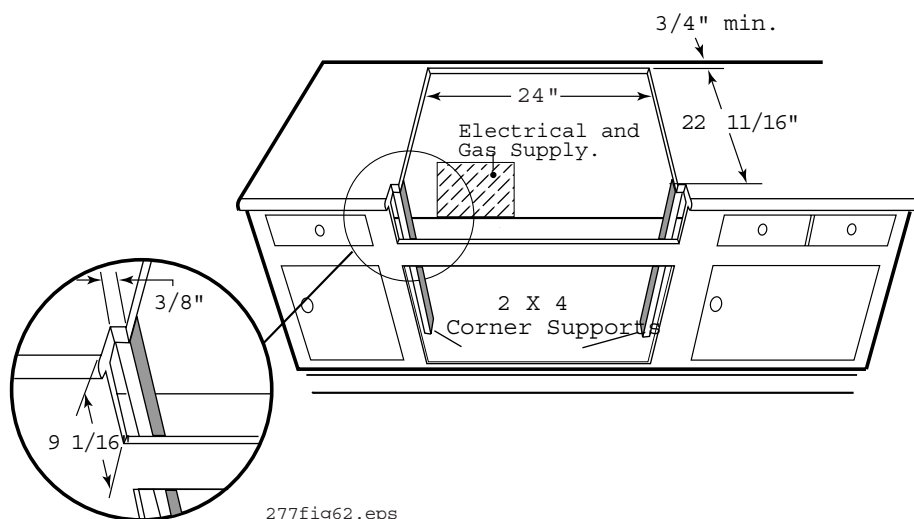
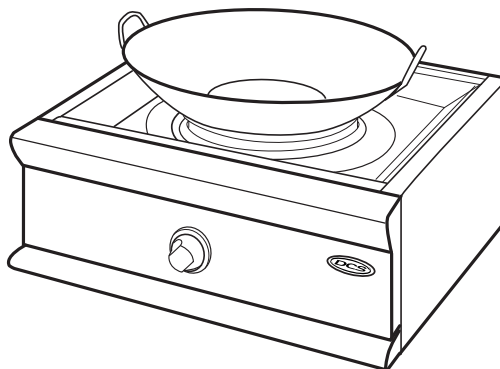
Specification

Standard Models

- DCS-C-24W

Shipping Dimensions/Weight

- Shipping Weight
DCS-C-24W = 90 lbs



Warranty

All DCS Drop-In Woks are covered by a full 1 year warranty. Five-year limited warranty covering wok burner.

DCS will cover: All repair labor and replacement parts, for parts found to be defective due to materials or workmanship. Service must be provided by Authorized Factory Agent during normal working hours. Dynamic Cooking Systems is a quality manufacturer of commercial cooking equipment, professional outdoor grills and hot plates outdoor heating equipment, and professional cooking equipment for home use.



Because of continuing product improvement these specifications are subject to change without notice.



1999 Dynamic Cooking Systems, Inc.
5800 Skylab Road, Huntington Beach,
CA 92647
For more information, visit our web
site at www.dcsappliances.com or ask
your dealer
Tel.: 800-433-8466 714-372-7000
Fax: 714-372-7001

Made in USA P/N 17277-06 10/99