

CONVECTION WARMING DRAWERS

Thermador® | An American Icon™



36" Convection Warming Drawer. To be installed with custom front panel or Thermador coordinating front panel (shown).



WDF36EP
Stainless Steel with Professional handle

FEATURES & BENEFITS

The open sides make it easier and more convenient to load and unload

Spacious 2.4 cubic-foot drawer cavity

Convenient touch control panel boasts a digital display and includes an electronic timer, a hot surface indicator, an automatic shut-off feature, and Sabbath mode

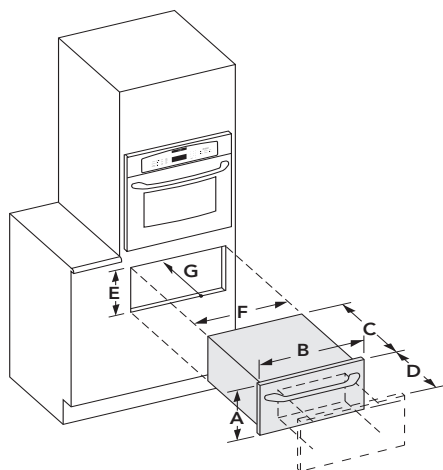
400-watt convection heater evenly and quickly heats large stacks of plates

Exclusive 600-watt glass-ceramic heating surface ensures quick and even heating, and is easy to clean

Because the drawer and the door are separate units, it's easy to install with custom cabinetry for a seamlessly integrated look

Telescopic rails feature a telescoping, ball-bearing design for smooth opening and closing that supports up to 55 lbs

SKU	WDC36E
Cabinet Size	36
Warming Drawer Wattage	120 Volts, 2 Wire 60 Hz, w/ gnd. 930 W.
Amps	Single Phase A.C., 20 Amps
Approx. Shipping Weight	64
Coordinating Front Panels (Sold Separately)	
Stainless Steel With Professional Handle	WDF36EP



Model No.	Overall Dimensions				Cutout Dimensions*			Interior Drawer Usable Space	Custom Panel Dimensions	
	A	B	C**	D	E	F	G	Cu. Ft.	H	W
WDC36E	11 ¹ / ₄	35 ³ / ₄	22 ³ / ₄	22	10	34 ¹ / ₂	24	2.4	11 ¹ / ₄	35 ³ / ₄

Notes: All height, width and depth dimensions are shown in inches. *Please refer to installation instructions prior to making cutout. Installation instructions are available at www.thermador.com. **Measured from cabinet face. Add 3¹/₈" for distance from drawer handle to cabinet face.