

**PRO COOKTOP 48" 4 STAR® BURNER COOKTOP WITH ELECTRIC GRIDDLE & GRILL**

**Thermador®** | *An American Icon™*



**PCG484EC**

Professional Series 48" cooktop with 4 Star Burners (2 with ExtraLow® feature), Electric Griddle and Grill.

**FEATURES & BENEFITS**

4-in-1 brass Star Burner.

15,000 BTU/hr and 375 BTU/hr ExtraLow simmer-and-hold capacity.

High performance with fast time-to-boil and even heat distribution.

ExtraLow Feature: Our ExtraLow feature simmers without scorching. Perfect for delicate sauces.

Lighter, continuous porcelain-coated cast-iron grates increase air flow and are easier to clean despite its large size.

Thermador's exclusive blue LED lights indicate burner use.

Our 12" electric griddle is available on this series that provides 1 grease capture tray. Our non-stick, non-rust, radiant baffle grill, which delivers outdoor barbecue performance with indoor convenience.

Multiple configurations: Customize your cooktop to suit your cooking style, available in configurations featuring titanium-surface, rust-proof and non-stick electric griddle.

SKU	PCG484EC
Size	48"
Type	Gas Cooktop
Color	Stainless Steel

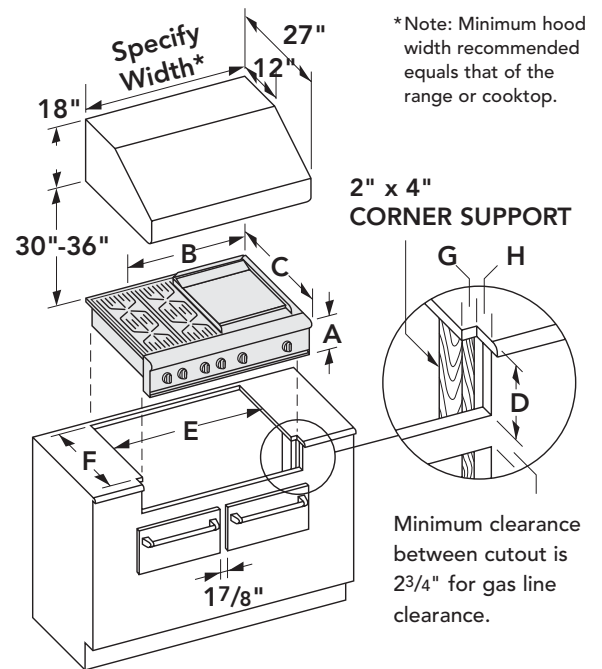
**MAIN FEATURES**

120 Volts, 3 Prong Plug, 60 Hz Single Phase A.C., 15 Amps	■
BTU/hr	93,000
Fuel Type	NG
Approximate Shipping Weight	220
LP Converter Orifices	■
Order (PLPKIT)	

**BACKGUARD ACCESSORIES**

12" Low Back Guard††	GPS48LBS
Island Trim††	GPS48ITS
Black Knob Accessory Kit	KNOBCTBLK
Blue Knob Accessory Kit	KNOBCTBLU
12" Chopblock	PC12CHPBLK

**48" Cooktop with Cutout and optional Warming Drawer**



Model No.	BTU/hr	Overall Dimensions			Cutout Dimensions*				
Masterpiece	Max.	A	B	C	D	E	F (min.)	G	H
PCG484EC	93,000	8 <sup>1</sup> / <sub>8</sub>	47 <sup>7</sup> / <sub>8</sub>	26 <sup>1</sup> / <sub>2</sub>	7 <sup>13</sup> / <sub>16</sub>	46 <sup>1</sup> / <sub>8</sub>	22 <sup>11</sup> / <sub>16</sub>	13 <sup>1</sup> / <sub>16</sub>	2

BSH reserves the absolute and unrestricted right to change product materials and specifications, at any time, without notice. Consult the product's installation instructions for final dimensional data and other details. Applicable product warranty can be found in accompanying product literature (or you may contact your account manager for further details). **Notes:** All height, width and depth dimensions are shown in inches. \*According to AHAM standards. \*\*Please refer to installation instructions prior to making cutout. \*\*\*Available as separate accessory: Island Installations are not recommended. ††Order separately.

1 866 55 THERMADOR | WWW.THERMADOR.COM | 5551 MCFADDEN AVENUE, HUNTINGTON BEACH, CA 92649