

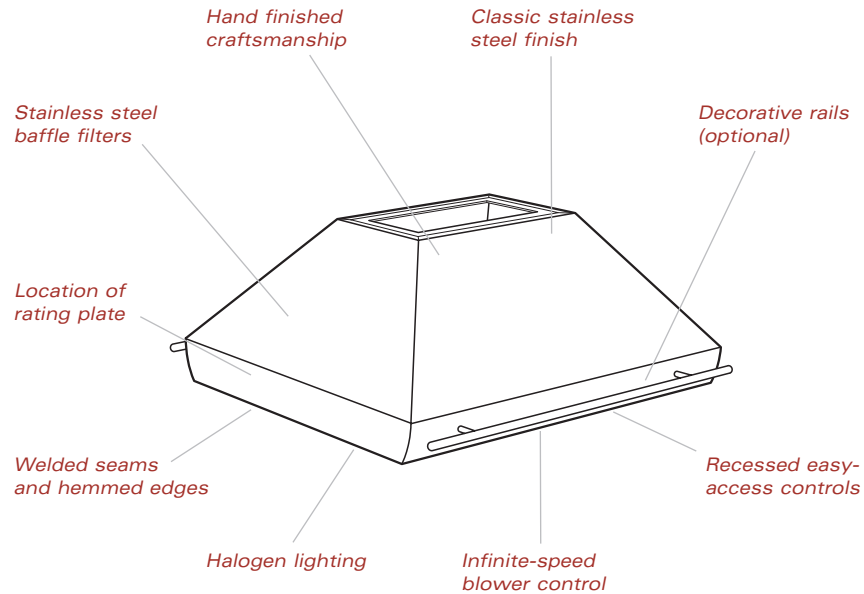
**Pro Island Ventilation Hood**  
**MODEL PI363418(R)**



Model PI363418



Model PI363418R  
Rail Option



Model PI363418R shown with decorative rails.

► Wolf Pro island hoods are available in the classic stainless steel finish. Rail option hoods (R) come with classic stainless steel decorative rails and stand-offs for both sides of the hood. Optional platinum or brass rails match dual fuel range bezels. Pro island hoods are sold as a shell only; internal, in-line and remote blower options are available.

**A** Wolf Pro island hood—the final touch to complete your stage featuring professional cooking equipment. This premier ventilation system complements your cooking appliance of choice, guaranteeing you’ll look the part, no matter what new cooking challenges you take on.

This 36" (914) wide island hood is 34" (864) deep and available in the classic stainless steel finish. You also have the option of decorative rails. While classic stainless steel rails are standard on the (R) model, platinum or brass rails are also available to match the bezels of our dual fuel ranges and sealed burner rangetops.

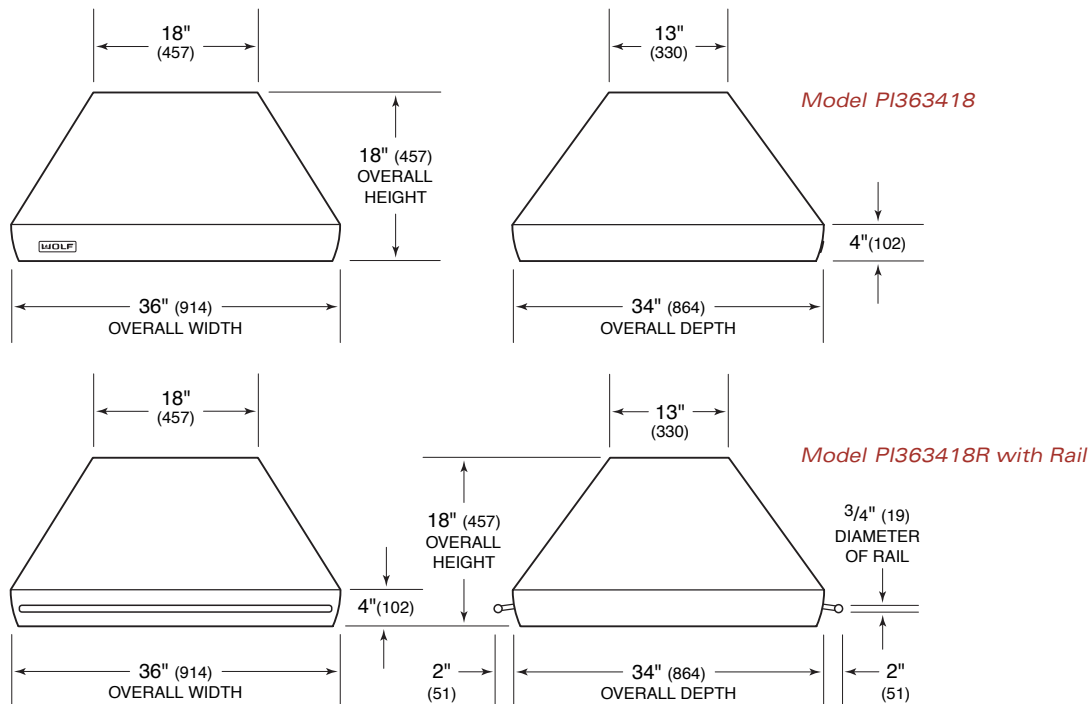
The Pro island hoods are recommended for use with all Wolf cooking appliances.

**Pro Island Ventilation Hood**  
**MODEL PI363418(R)**

**FEATURES**

- ▶ 36" (914) wide island ventilation hood with classic stainless steel finish
- ▶ Rail option island hoods (R) come with classic stainless steel decorative rails and stand-offs—optional platinum or brass rails available to match dual fuel range bezels
- ▶ Internal, in-line and remote blower options
- ▶ Heavy-duty 16-gauge brushed stainless steel construction
- ▶ Stainless steel enclosed liner
- ▶ Continually welded seams, hemmed edges and sides and hand finished craftsmanship
- ▶ Recessed easy-access controls
- ▶ Infinite-speed blower control
- ▶ Heat sentry feature automatically turns unit on when heat is sensed and automatically adjusts blower speed
- ▶ Halogen lighting with two settings
- ▶ Removable, dishwasher-safe, restaurant-grade stainless steel baffle filters
- ▶ Transition with backdraft damper included
- ▶ UL listed to US and Canadian safety standards
- ▶ Two and five year residential warranty—exclusions apply; warranty information can be found on our website, [wolfappliance.com](http://wolfappliance.com)

**OVERALL DIMENSIONS** ▼



Unit dimensions may vary by  $\pm 1/8"$  (3).

Dimensions in parentheses are in millimeters unless otherwise specified.

**Pro Island Ventilation Hood**  
**MODEL PI363418(R)**

**BLOWER OPTIONS** ▼

1200 CFM Internal Blower as of Fall 2007	804703 810317
1100 CFM In-Line Blower	808332
900 CFM Remote Blower	801641
1200 CFM Remote Blower	801642
1500 CFM Remote Blower	804701

*Refer to Pro Ventilation Recommendations at the end of this section.*

**ACCESSORIES**

- ▶ Platinum or brass decorative rails and stand-offs for both sides of the hood
- ▶ 6" (152), 12" (305), 18" (457) and 24" (610) classic stainless steel duct covers

*Accessories are available through your Wolf dealer. To obtain local dealer information, visit the Showroom Locator section of our website, [wolfappliance.com](http://wolfappliance.com).*

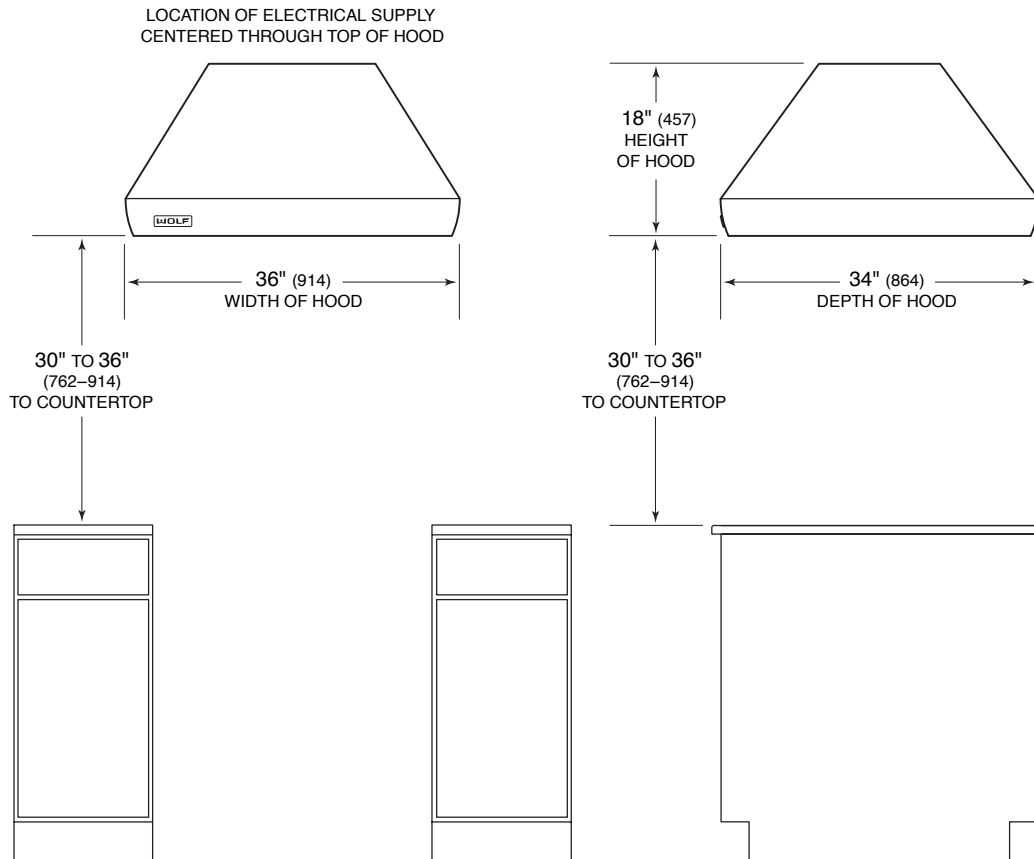
**SPECIFICATIONS** ▼

Overall Width of Hood	36" (914)
Overall Height of Hood	18" (457)
Overall Depth of Hood (including rails)	34" (864) 38" (965)
Internal Blower Option	1200 CFM
In-Line Blower Option	1100 CFM
Remote Blower Options	900, 1200 or 1500 CFM
Discharge	Vertical
Duct Size	10" (254) Round
Electrical Supply Requirements	110/120 V AC, 60 Hz 15 amp dedicated circuit
Shipping Weight (shell only)	95 lbs (43 kg)

*Specifications are subject to change without notice.*

**Pro Island Ventilation Hood**  
MODEL PI363418(R)

**INSTALLATION SPECIFICATIONS**



**DIMENSIONS**

Overall Width of Hood	36" (914)
Overall Height of Hood	18" (457)
Overall Depth of Hood (excluding rail)	34" (864)
Countertop to Bottom of Hood	30" (762) to 36" (914)
Location of Electrical	Centered through top of hood

*See Installation Instructions shipped with unit for detailed specifications.*

## Pro Island Ventilation Hood MODEL P1363418(R)

### INSTALLATION NOTES

---

- ▶ Refer to the illustrations and specifications for overall dimensions and installation specifics.
- ▶ Wolf Pro island ventilation hoods are recommended for use with any Wolf cooking appliance. The hood must overlap the cooking surface by a minimum of 3" (76) on either side.
- ▶ Installation of all Pro ventilation hoods should be 30" (762) to 36" (914) from the bottom of the hood to the countertop. Follow the dimensions shown in the Installation illustration on page 4.
- ▶ Wolf Pro island hoods are shipped without a blower assembly. Internal, in-line or remote blower assemblies are available. Blower options also vary with the volume of air that needs to be moved and the length of the duct run. Refer to the charts at the end of this section for Pro ventilation recommendations and blower options.

---

**IMPORTANT NOTE:** Install this ventilation hood only with a Wolf blower.

- ▶ Pro island hoods require a separate, grounded 110/120 V AC, 60 Hz power supply. The service should have its own 15 amp circuit breaker. Placement of the electrical supply is not critical, as long as you provide enough 120 V AC, 60 Hz power cable to make the electrical connection. Location of electrical is centered through the top of the hood as shown in the Installation illustration on page 4.
- ▶ You must follow all National Electrical Code regulations. In addition, be aware of local codes and ordinances when installing your service.
- ▶ Refer to the installation instructions shipped with each Wolf product for detailed specifications. This information can also be found on our website, [wolfappliance.com](http://wolfappliance.com).

**Pro Island Ventilation Hood**  
**MODEL PI363418(R)**

**DUCTING CONSIDERATIONS**

Wolf Pro island hoods are shipped without the blower assembly. Internal, in-line and remote blower assemblies are available.

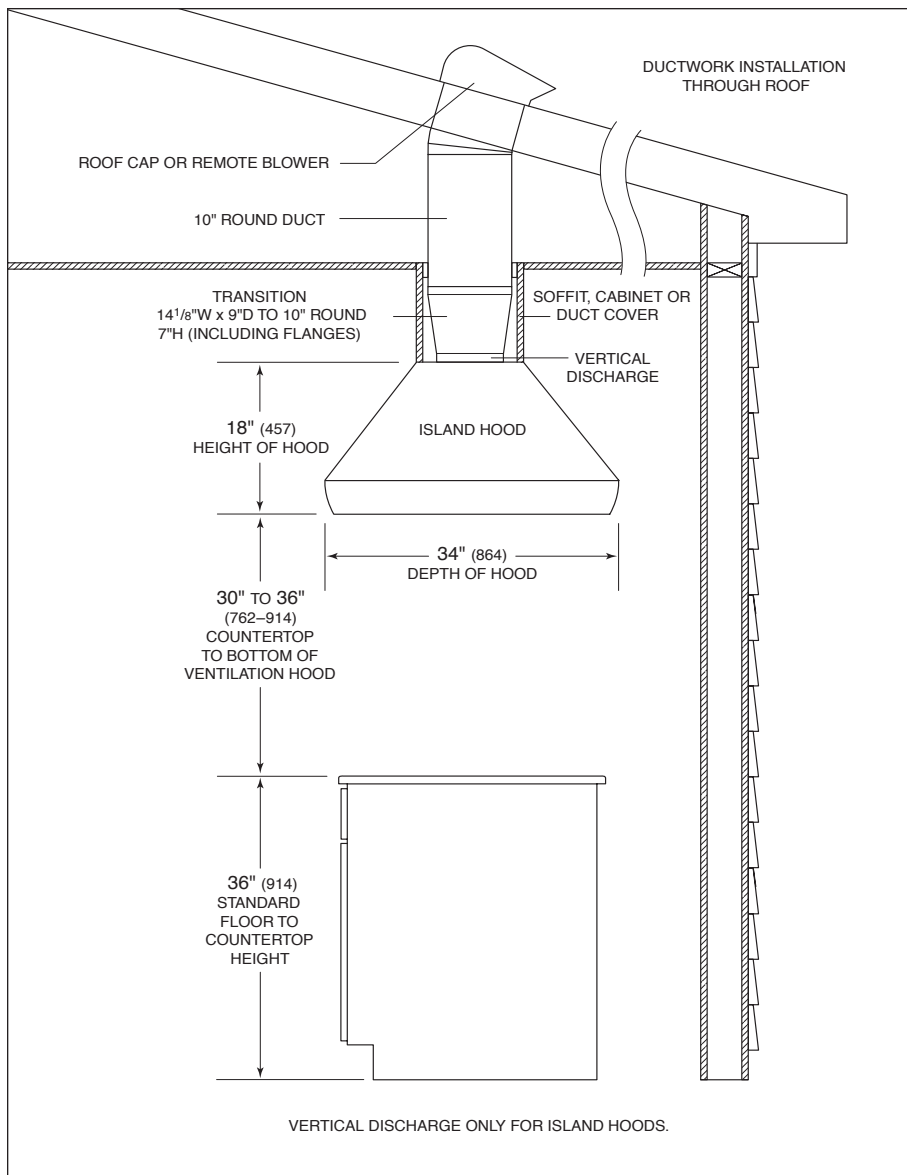
**IMPORTANT NOTE:** Install this ventilation hood only with a Wolf blower.

Pro island hoods have a vertical discharge location with 10" (254) round duct. A transition with backdraft damper is included. The hood will operate most efficiently when ductwork does not exceed 50' (15 m) in length.

Local building codes may require the use of make-up air. Consult your local HVAC professional for specific requirements in your area.

**IMPORTANT NOTE:** Wolf Pro island hoods must be vented to the outside. Use only metal ductwork.

Refer to the illustration below for ducting considerations for Pro island hoods.



*Ducting for Pro island hoods.*

*Dimensions in parentheses are in millimeters unless otherwise specified.*

**Pro Island Ventilation Hood**  
**MODEL PI363418(R)**

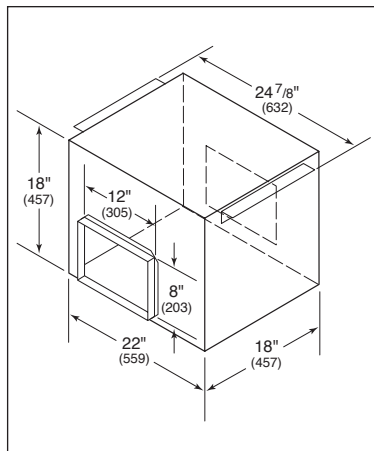
**WOLF BLOWER ASSEMBLIES**

A ventilation system must include a blower assembly. Wolf ventilation hoods are shipped without the blower assembly. An internal, in-line or remote blower assembly must be selected to accommodate the cooking appliance, CFM requirements and homeowner preferences. Internal, in-line and remote blower assemblies are available as sales accessories through your Wolf dealer.

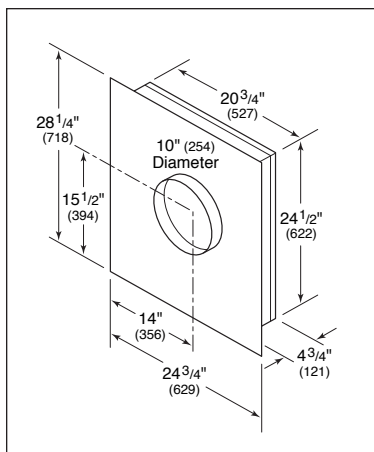
**IMPORTANT NOTE:** Use only a Wolf blower with all Wolf ventilation products.

Internal blowers are mounted inside the hood canopy. In-line blowers are mounted in between the hood and the exterior of the home. Remote blowers can be mounted on the roof or in some cases, on an exterior wall. Refer to the illustrations below for dimensions of Wolf in-line and remote blowers.

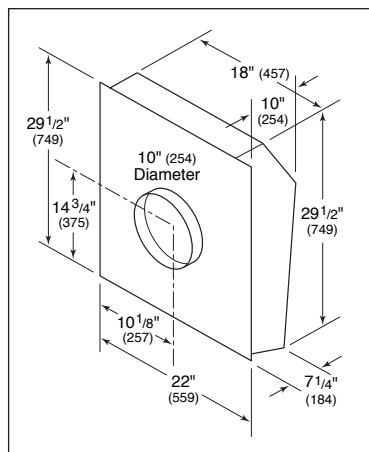
Pro ventilation recommendation charts on the following page provide minimum CFM recommendations according to the cooking appliance and ventilation hood used and blower options for each specific Pro island hood.



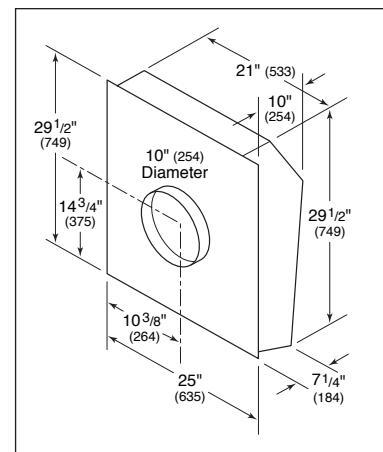
*In-line BLOWER-110IL*



*Remote BLOWER-60REM and BLOWER-90REM*



*Remote BLOWER-120REM*



*Remote BLOWER-150REM*

*Unit dimensions may vary by ± 1/8" (3).*

*Dimensions in parentheses are in millimeters unless otherwise specified.*

**Pro Island Ventilation Hood**  
**MODEL PI363418(R)**

**PRO VENTILATION CFM RECOMMENDATIONS**

**Pro Island Hoods**

<b>Model</b>	<b>PI363418</b>	<b>PI423418</b>	<b>PI543418</b>	<b>PI663418</b>
DF304 / R304 / SRT304	600	600		
DF366 / R366 / SRT366 / RT366		900		
DF364 / R364 / SRT364 / RT364		900		
RT362		900		
R488 / RT488			1100	
DF486 / R486 / SRT486 / RT486			1100	
DF484 / R484 / SRT484 / RT484			900	
DF606 / R606				1500
DF604				1500

*Minimum CFM requirements for Wolf ranges and rangetops. CFM recommendations are based on total Btu/hr output. Additional CFM may be required for charbroilers, griddles and long duct runs.*

**PRO VENTILATION BLOWER OPTIONS**

**Pro Island Hoods**

<b>Blower Description</b>	<b>Blower Number</b>	<b>Island Hood Models</b>
1200 CFM Internal	IBLOWER-120INT (804703 – 810317 as of Fall 2007)	All Island Hoods
1100 CFM In-Line	BLOWER-110IL (808332)	All Island Hoods
900 CFM Remote	BLOWER-90REM (801641)	PI363418 / PI423418 / PI543418
1200 CFM Remote	BLOWER-120REM (801642)	All Island Hoods
1500 CFM Remote	BLOWER-150REM (804701)	All Island Hoods