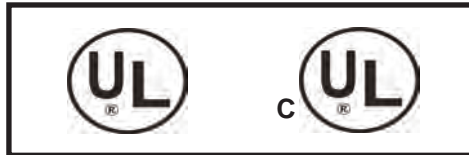




36" & 48" VENTILATION HOOD
INSTRUCTION & INSTALLATION MANUAL

Contact Information:

Customer Service:
Business (519) 650-5775
Fax (519)650-3773
Toll Free Telephone 1-877-650-5775
Toll Free Fax 1-800-327-5609



**Please read entire instructions before proceeding.
Installation must comply with all local codes.**

IMPORTANT: Save these instructions for the Local Electrical Inspector's use.

INSTALLER: Please leave these instructions with this unit for the owner.

OWNER: Please retain these instructions for future reference.

SAFETY WARNING: Before servicing or cleaning the unit, switch the power off at the service panel and lock out the service disconnect switch to prevent power from being switched on accidentally. When the service disconnect switch cannot be locked, securely fasten a prominent warning device, such as a tag to the service panel.

Record the model and serial numbers before installing the Aga ventilation hood. Both numbers are listed on the rating plate, located on the left wall of the hood shell.

Model Number _____

Serial Number _____

Important Safety Instructions

To Reduce the risk of injury, please observe the instructions provided

⚠ WARNING

For general ventilating use: observe the following.

1. Local building codes may require the use of make-up air. Consult your local HVAC professional for specific requirements in your area.
2. Do not use to exhaust hazardous or explosive materials or vapors.
3. Sufficient air is needed for proper combustion and exhausting of gases through the flue (chimney) of fuel burning equipment to prevent back drafting. Follow the heating equipment manufacturer's guidelines and safety standards such as those published by the National Fire Protection Association (NFPA), and the American Society for Heating, Refrigeration and Air Conditioning Engineers (ASHREA), and local code authorities.
4. When cutting or drilling into wall or ceiling, do not damage electrical wiring and other hidden utilities.
5. Ducted fans must always be vented to the outdoors. Do not exhaust air into spaces within walls or ceilings or into attic, crawl spaces or garages.
6. WARNING - To reduce the risk of fire, use only metal duct work.
7. Due to the size and weight of this unit, two installers are recommended.

⚠ WARNING

Prevent Injury to Persons in the Event of a Range Top Grease Fire.

1. SMOTHER FLAMES with a close-fitting lid, cookie sheet, or metal tray, then turn OFF the burner.
2. BE CAREFUL TO PREVENT BURNS. If the flames do not go out immediately, EVACUATE AND CALL THE FIRE DEPARTMENT.
3. NEVER PICK UP A FLAMING PAN. You may be burned.
4. DO NOT USE WATER, including wet cloths or towels - an explosion may result.
5. Use an extinguisher ONLY IF:
 - a. The fire department has been contacted.
 - b. You know you have a Class ABC extinguisher and you know how to operate it.
 - c. The fire is small and contained in the area where it started.
 - d. You can fight the fire with your back to an exit.

⚠ WARNING

Prevent Fire, Electric Shock, or Injury to Persons.

1. Installation work and electrical wiring must be done by qualified person(s) in accordance with all applicable codes & standards including fire-rated construction.
2. Turn off power at the service panel and lock out panel, before wiring, servicing or cleaning this unit. If lock out panel cannot be locked, securely fasten a prominent warning device, such as a tag to the service panel.
3. This unit must be grounded.

⚠ WARNING

Prevent Range Top Grease Fire.

1. Keep fans, filters and grease laden surfaces clean.
2. Always turn hood ON when cooking at high heat.
3. Use high range setting on range only when necessary. Heat oil slowly on low to medium setting.
4. Do not leave range unattended when cooking.
5. Always use cookware appropriate for the size of the surface element.

Ventilation Hood Table of Contents:

Installation Precautions	2
List of Materials	2
Installation Planning	3
Overall Dimensions	4
Installation Methods	5
Method 1: Ventilation Hood - Ceiling Mounted	5
Method 2: Ventilation Hood - Wall Mounted	6
Method 3: Ventilation Hood - Rough-In Plate Mounted	6
Installation Assembly	7
Rough-in Plate Mount Installation	7
Mounting the In-Hood Fan	8
Ducting Connection	8
Electrical Connection	9
Installation of Hood Unit	9
Installation of Grease Troughs, Filters, Lamps	10
Use and Care	10
Wiring Diagram Ventilation Hood	11
Ventilation Hood Customer Warranty	12

Installation Precautions

The high degree of craftsmanship in the construction and finish of your hood requires careful handling to ensure proper installation.

Do not remove your hood from its carton until you are ready to hang it.

Do not store the hood anywhere other than within the carton. If it is necessary to remove your hood from the carton, arrange it on a blanket or padded area that will protect your hood from scratches or indentations.

To lift hood, place your fingers under the lower reveal of the hood. Grasp firmly and lift.

Caution: Due to the size and weight of this unit, two installers are recommended.

Cotton gloves are preferable. They will protect the surface from fine scratches and eliminate finger prints.

Remove all rings, watches, belt buckles, and jackets (snaps-zippers) to prevent scratch marks.

Do not remove the cotton flannel from you hood until the installation process is complete. It will be necessary to remove only a small portion on the back-side of a wall mounted hood in order to position in place.

Located within the hood cavity (behind the baffle filter) are component parts and halogen bulbs.

List of Materials

Materials included with your unit

- Canopy hood assembly
- Blower assemblies
- Blower boxes
- Transitions
- Adaptors with dampers
- User's Manual
- Filters (3, or 4 depending on hood size)
- Installation kit
- Wire clamp connector
- 3/8" screws for lower installation
- 3/4" screws for hood installation
(may not need all screws, depending on hood size and blower quantity)
- Halogen lights (2)
Size R20, 50 Watts maximum

Materials to be purchased separately

- Backsplash (optional)**
- Duct cover (optional)**
- Duct tape (2" wide)**
- Wall anchors (if needed)**
- Standard ducting**

Installation Planning



Venting Requirements 36" Models 48" Models

How to Steps

Aga Vent Hood Clearances:

- Vent Hood to either side of cabinetry: 0"
- Cooktop to underside vent hood: 30"-36" max (76-92cm)



Electrical

- 36" Model: 600CFM, 115V, 60 Hz, 18.2 amps, 437 Watts (optional: 1200CFM)
- 48" Model: 1200CFM, 115V, 60Hz, 18.2 amps, 920 Watts

• Installation work and electrical wiring must be performed by qualified person(s) in accordance with all applicable codes and standards including fire-rated construction. Electrical connection to the Vent Hood is to be hard wired by a licensed electrician - no power cord included.

- Ductwork diameter: 8" (20 cm) for 36" models
10" (25 cm) for 48" models
- 1200 CFM can be ordered for a 36" hood (non standard)

Ducting

- Duct work must be metal, such as Rigid Galvanized. Do not use plastic duct.

- Maximum ducting run: 36" model (600CFM): 40 linear feet
48" model (1200-CFM): 45 linear feet.

Note: subtract 10' per 90 deg. elbow and 5' per 45 deg. elbow. Do not use more than two elbows.

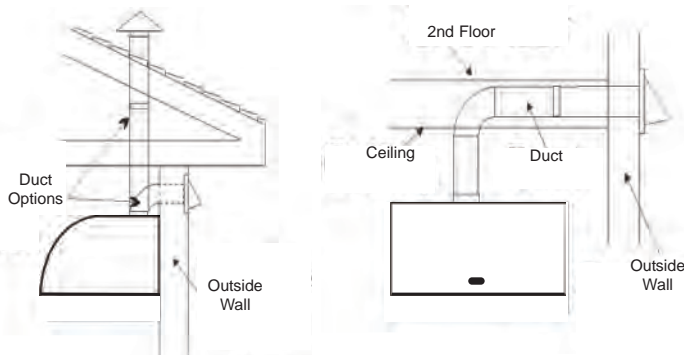
• Flashings & Rain Caps available from your local Building Supply Center or custom made by your local sheet metal shop. (square rain caps require equivalent cross sectional area to 10" diameter ducting.)



Safety

• Vent Hood must be vented outdoors. Do not exhaust air into spaces within walls, ceilings, attics, crawl spaces or garages - where an accumulation of grease could become a fire hazard.

- Materials and installation must be completed in accordance with all local & national codes.
- Gas cooking appliances produce heat and moisture. Ensure kitchen is well ventilated.

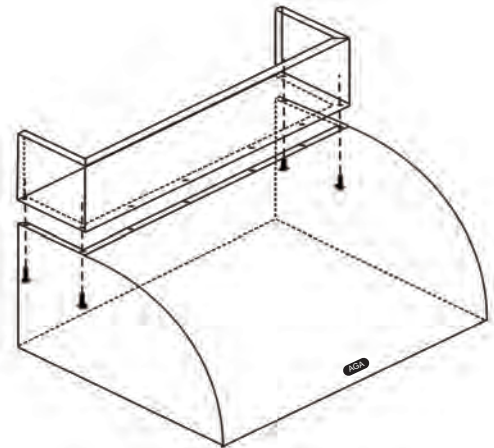


Venting Requirements 36" Models 48" Models

How to Steps

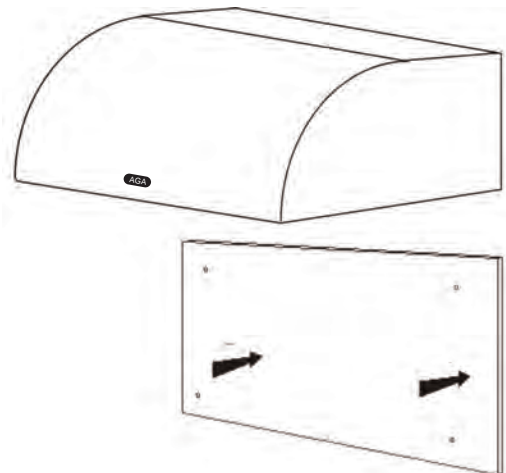
Optional Accessories - Duct Covers:

- Duct Cover - depth: 12" standard heights: 12", 18", or 24"
- Available in the same colors as the Legacy Series appliances.



Optional Accessories - Splashback Panel:

- Available in the same colors as the Legacy Series appliances.



Warning

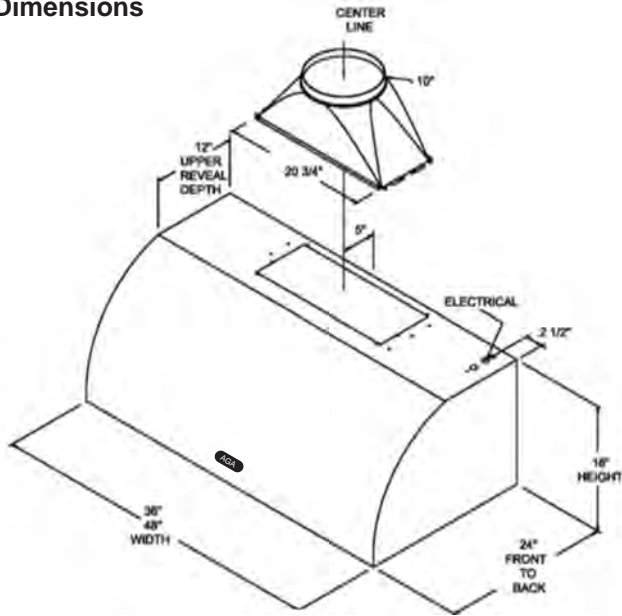
Note:

Aga-heartland recommends ventilation requirements of 1CFM per 100 BTU's/Hr. Please consult a HVAC engineer to ensure compliance with local building codes.

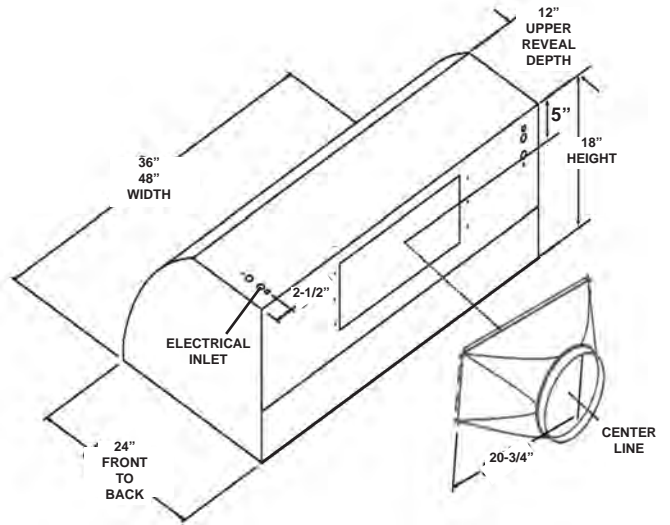
Overall Dimensions



Dimensions



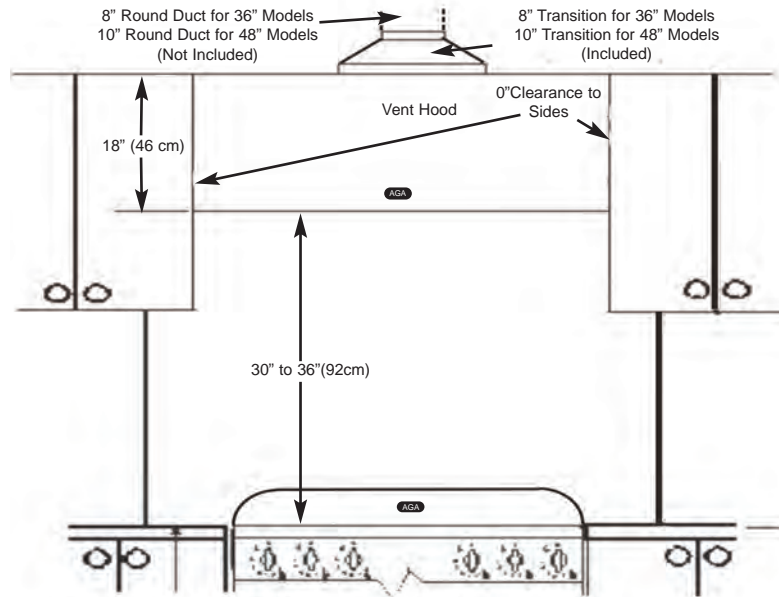
INSTALLING HOOD AT TOP



INSTALLING HOOD FROM REAR



Rough in Measurements



Installation Methods

Check the Installation Location

If your installation has been roughed-in (including ductwork and wiring), be certain there are no obstructions in the way of the mounting, pipes, or other wiring, etc.

If the installation has not been roughed in, check what is needed to create the framing and mounting hardware (allthreads, nuts, etc.). Be sure the location will not interfere with wiring, other utilities, or structural considerations.

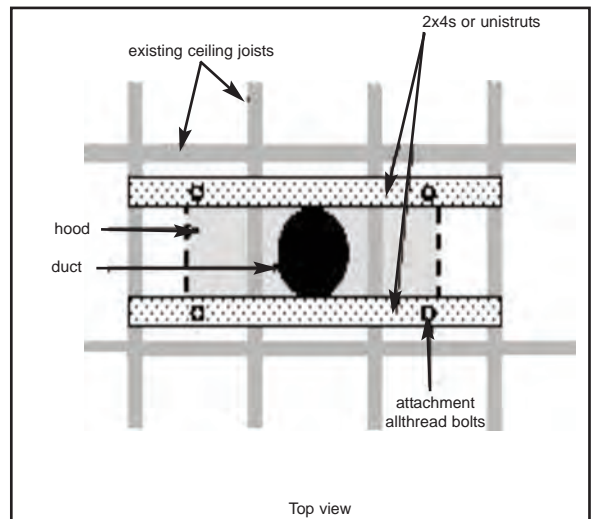
Choose the Installation Method

There are several different methods available to mount the hood: The Ceiling Mount, The Wall Mount and the Rough-In Plate Mount.

**For installation questions, Please dial:
1-877-650-5775**

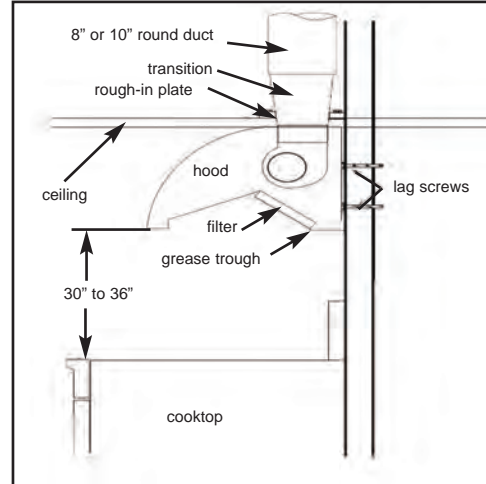
Method 1: Ventilation Hood - Ceiling Mounted

1. Use 2x4s, Unistrut or Angle Iron, to construct the framing. The considerable weight of the hood makes this necessary.
2. Mark the center location of the hood. Install two 2x4s (wide side down), Unistrut or Angle Iron, across ceiling joists with outer edges aligned with the existing ceiling joist.
3. Drill two 7/16" diameter holes in the 2x4s, Unistrut or Angle Iron, the same distance apart as the nuts in the top of the hood, plus the finished drywall thickness. This ensures the hood is tightly fitted against the wall. Install wooden spacers if necessary to ensure the top of the hood is flush with the ceiling.
4. Insert all four of the allthread bolts into the top of the hood. (Approximately 3")
5. While lifting the hood, guide and position the allthread bolts through the 2x4s, Unistrut or Angle Iron. (At least 2 people are recommended for this step.)
6. Secure the hood with 3/8" nuts (do not tighten).
7. Adjust hood to proper location and tighten nuts. A second nut should be used as a locknut to prevent vibration and ensure stability.
8. Connect the duct to hood using 3 sheet metal screws and seal all joints with silicone or duct tape. Use care when fastening ductwork to transition. Position screws such that damper assembly can open and close.
9. Make electrical connections. (An electrical contractor should make all electrical connections. See wiring diagram.)



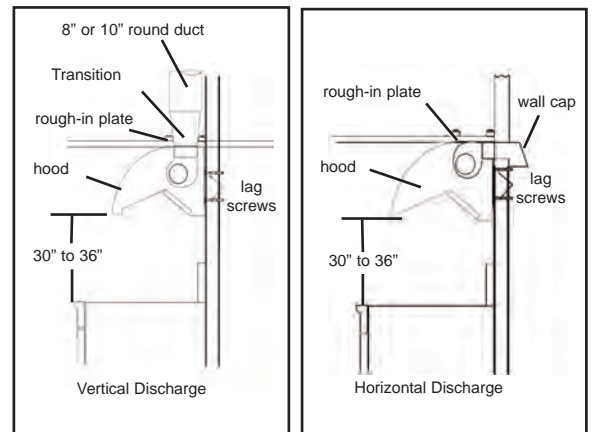
Method 2: Ventilation Hood - Wall Mount

1. Use 2x4s, Unistrut or Angle Iron, to construct the framing. The considerable weight of the hood makes this necessary.
2. Mark the center location of the hood. Install two 2x4s (wide side down), Unistrut or Angle Iron, across ceiling joists with outer edges aligned with the existing ceiling joist.
3. Drill two 7/16" diameter holes in the 2x4s, Unistrut or Angle Iron, the same distance apart as the nuts in the top of the hood, plus the finished drywall thickness. This ensures the hood tightly fits against the wall. Install wooden spacers if necessary to ensure the top of the hood is flush with the ceiling.
4. Insert all four of the allthread bolts into the top of the hood. (Approximately 3")
5. While lifting the hood, guide and position the allthread bolts through the 2x4s, Unistrut or Angle Iron. (At least 2 people are recommended for this step.)
6. Secure the hood with 3/8" nuts (do not tighten).
7. Adjust hood to proper location and tighten nuts. A second nut should be used as a locknut to prevent vibration and ensure stability.
8. Locate studs and drill 3/8" diameter holes through back panel. Secure hood to wall with four 1/4"x1-1/2" lag screws.
9. Connect the duct to hood using 3 sheet metal screws and seal all joints with silicone or duct tape. Use care when fastening ductwork to transition. Position screws such that damper assembly can open and close.
10. Make electrical connections. (An electrical contractor should make all electrical connections. See wiring diagram.)



Method 3: Ventilation Hood - Rough-In Plate Mounted

For mounting the hood using the Rough-in Plate method (Method 3). Proceed to the Installation Assembly Section (page 9).



Installation Assembly

Rough-in Plate Mount Installation

⚠ WARNING
Framing must be tied together and to ceiling joists to provide enough structural strength to support the weight of the hood and internal blower, if applicable

⚠ CAUTION
If wall framing is not available, wall anchors must be used.

The hood unit is shipped with the rough-in plate and the transition attached.

Note: The transition is shipped upside down within the hood unit and must be removed and reinstalled.

Detach the rough-in plate/transition from the hood by removing the four screws from the top and back of the assembly.

Separate the transition from the rough-in plate by removing the four shipping screws. The shipping screws are needed for re-attaching the transition to the rough-in plate.

Determine the direction of discharge for installation and rotate the back panel accordingly. The wall hood back panel has been designed to accommodate a vertical or horizontal discharge.

Secure the transition to the top of the rough-in plate, using the four shipping screws provided. Use duct tape to seal joints of the transition and the top of the rough-in plate.

Mark the center of the rough-in plate and align with the center of the soffit.

Install rough-in plate to the soffit, using four screws packed with the plate. These screws must be driven into the soffit framing.

Use the rough-in plate assembly to determine the location of wall studs. Position the rough-in plate in the desired location and mark the predrilled holes on the wall.

Secure the back side of the rough-in plate to the wall stud. If necessary, drill back of rough-in plate and Soffit to structure.

Horizontal discharge requires a wall cut-out. refer to the illustrations (Fig 1 & 2, pg 8). The location of the cut-out is determined by the installation height of the hood.

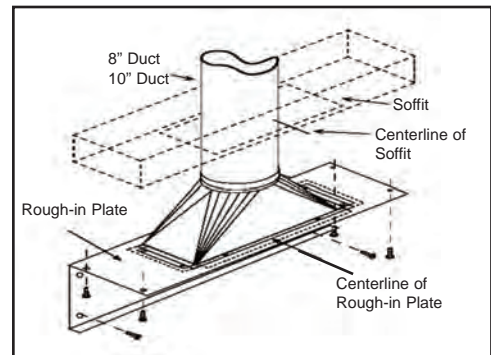
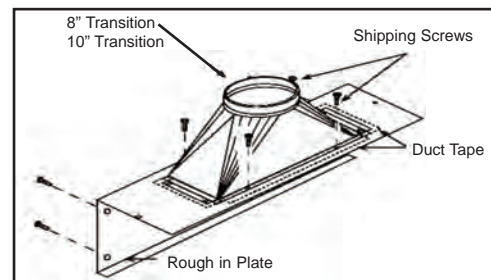
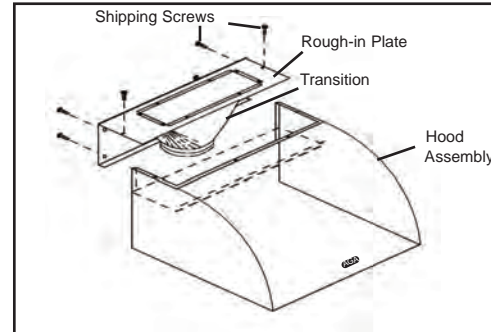


Fig. 1

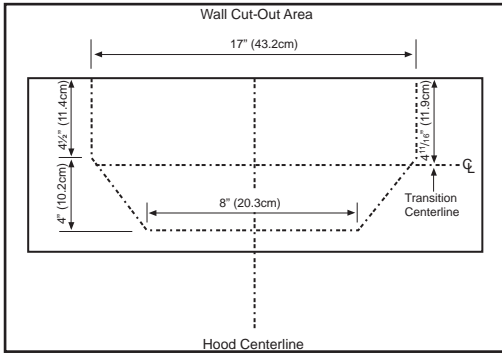
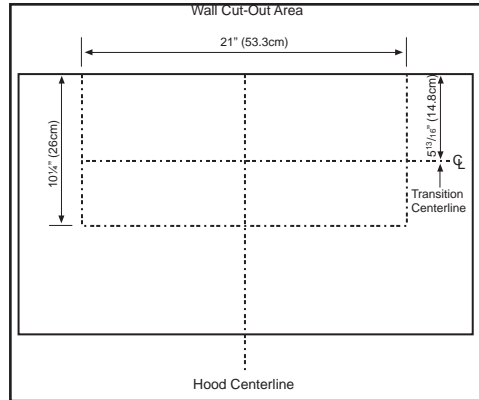


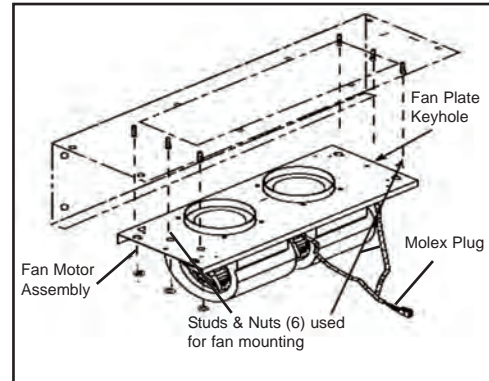
Fig. 2



Mounting the In-Hood Fan

Install the fan by aligning the holes on the fan to the weld studs on the rough-in plate. Tighten the fan to the plate using the nuts provided.

Plug the "Molex" plug on the fan to the "Molex" plug on the hood.

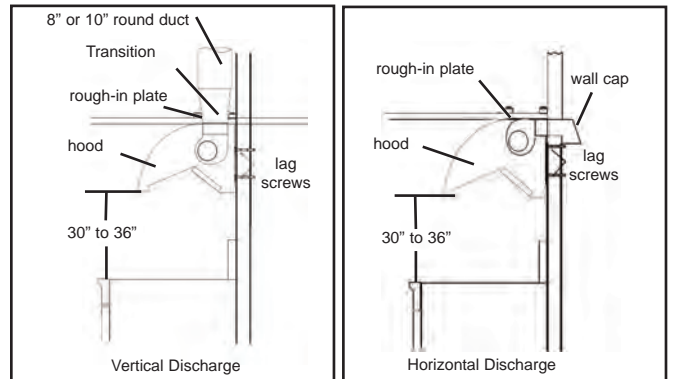


Ducting Connection

For 36" Hoods, use 8" round-duct from the transition.

For 48" Hoods, use 10" round-duct from the transition.

The length of ducting should be as short and straight as possible for best performance of fan. SEAL ALL JOINTS WITH DUCT TAPE.



Electrical Connection

Run power cable to installation location. Remove wiring cover, install wire clamp, insert cable in hood through wire clamp and secure by tightening the wire clamp.

Connect cable into wiring box, located on rough-in plate, using wire nuts.

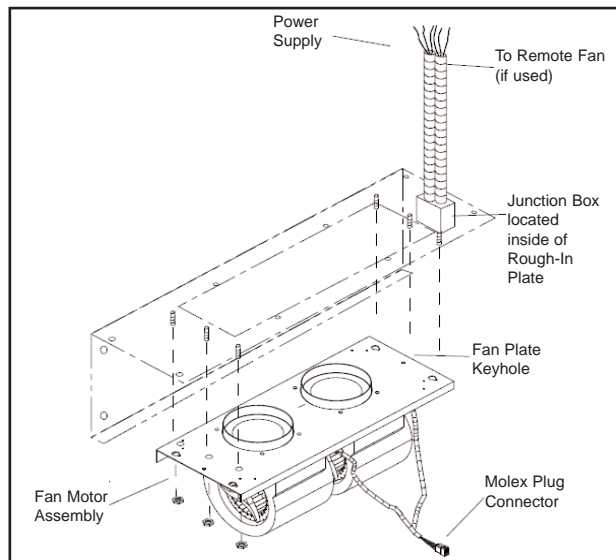
Connect wires as follows:

BLACK wire to power supply **BLACK** wire.

WHITE wire to power supply **WHITE** wire.

GREEN GROUND wire under **GROUND** screw.

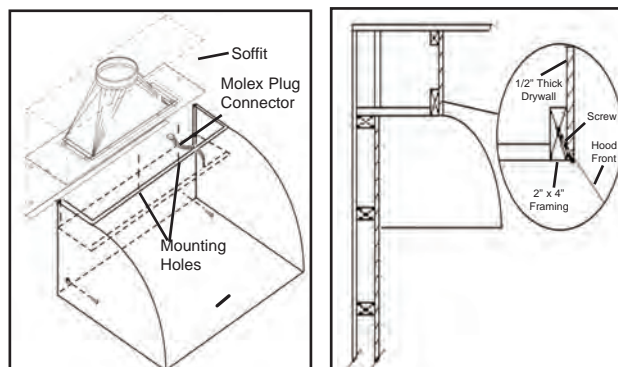
Reinstall wiring cover.



Installation of Hood Unit

Install the hood unit to the rough-in plate by aligning the weld studs on the rough-in plate with the slotted holes on the back of the unit.

Using the hex nuts provided, secure the hood assembly to the rough-in plate.



IMPORTANT NOTE: If additional support is required, drill supplementary mounting holes in the rough-ins plate and use these holes to attach the hood assembly to the wall framint

⚠ CAUTION

Due to the weight of the hood, be sure to have adequate manpower for installation.

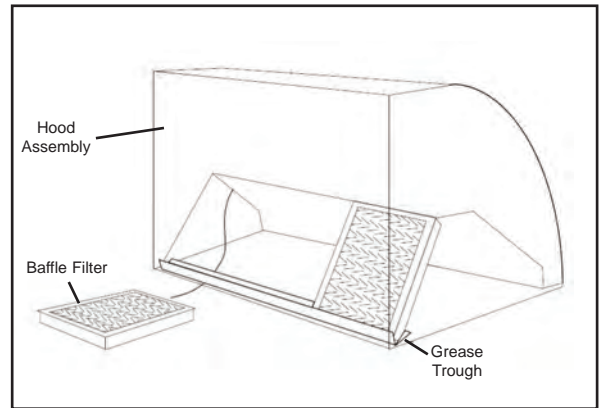
Installation of Grease Troughs, Filters,Lamps

Grease trough location is on the underside (bottom), rear area of the hood.

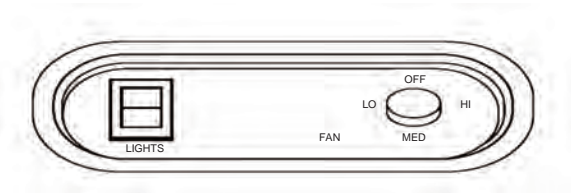
In the center of the space provided for the filters, insert one filter on the top ledge and pull back until the bottom of the filter slips into bottom ledge. Slide the filter to one side and install the next filter in the same manner.

Note: There will be some side to side and front to back tension as the filters line up.

Install halogen bulbs. Use R20 size, 50 Watt maximum, narrow flood light bulbs only.



Use and Care



Controls

Always turn the hood on before cooking to establish an air flow in the kitchen. Allow the fan to operate for a few minutes to clear the air after you turn the range off. This will help keep the entire kitchen smoke free and fresher smelling.

Fan

The fan is controlled by a multi-speed switch. Printed speeds on the control panel correspond with fan speed.

Cooktop Lighting

The halogen lights are controlled with one (ambient and brilliant) switch. To use the lights on brilliant setting, push the switch up. For ambient setting, push the switch down. Use only R20 size, halogen 50 Watt bulbs.

Replacement Parts

For purchasing replacement parts, contact your dealer.

Filters

Wash filters frequently either in a detergent solution, or by placing them in you dishwasher.

Replacement filters may be purchased from your dealer.

Cleaning

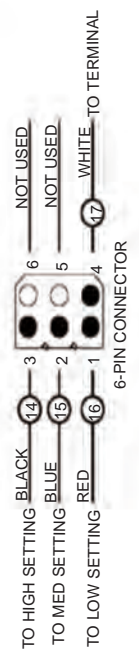
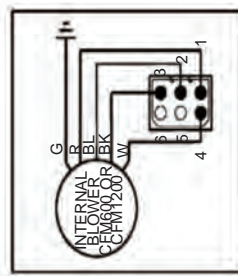
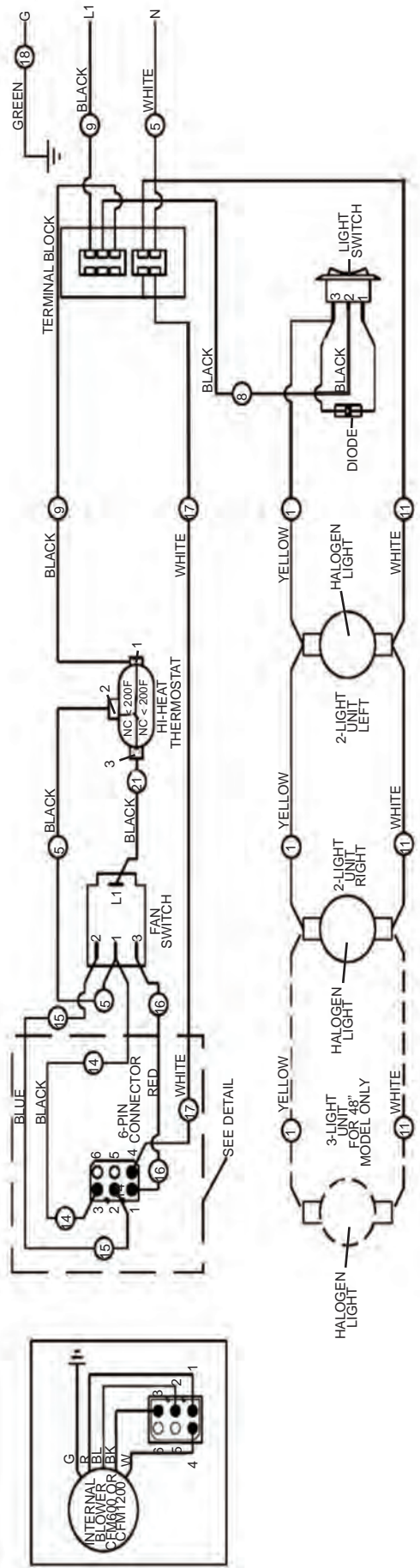
Do not allow excessive grease to accumulate.

Do not use abrasive cloth, steel wool pads, or scouring powders.

Vacuum fan to eliminate collected dust and particles. Do not immerse fan in water.

All filters and grease cups may be cleaned by placing them in the dishwasher. The grease cups should first be cleaned of excess grease with a paper towel, then placed beside the baffle fitters in your dishwasher for a thorough cleaning.

WIRING DIAGRAM VENTILATION HOOD





VENTILATION HOODS CUSTOMER WARRANTY

ENTIRE PRODUCT – LIMITED ONE YEAR WARRANTY

AGA-Heartland warrants the replacement or repair of all parts of this ventilation hood which prove to be defective in material or workmanship, with the exception of the stainless steel, painted finish or plated surfaces, for one year from the date of original purchase. Such parts will be repaired or replaced at the option of AGA-Heartland without charge, subject to the terms and conditions set out below.

The warranty period against defects in the stainless steel, painted finish, or plated surfaces, is 90 days from date of original purchase. The warranty does not include replacement of lamps or filters.

TERMS AND CONDITIONS

1. This warranty applies only for single family domestic use when the ventilation hood has been properly installed according to the instructions supplied by AGA-Heartland and is connected to an adequate and proper utility service. Damage due to faulty installation, improper usage and care, abuse, accident, fire, flood, acts of God, commercial, business or rental use, and alteration, or the removal or defacing of the serial plate, cancels all obligations of this warranty. Service during this warranty must be performed by a factory Authorized Service Person.
2. Warranty applies to product only in the country in which it was purchased.
3. AGA-Heartland is not liable for any claims or damages resulting from any failure of the range hood or from service delays beyond their reasonable control.
4. To obtain warranty service, the original purchaser must present the original Bill of Sale, Model and Serial number. Components repaired or replaced are warranted through the remainder of the original warranty period only.
5. The warranty does not cover expense involved in making this appliance readily accessible for servicing. Labour costs for removal and or replacement of a defective part is the responsibility of the owner.
6. This warranty gives you specific legal rights. Additional warranty rights may be provided by law in some areas.
7. Adjustments such as levelling, tightening of fasteners, or utility connections normally associated with original installation are the responsibility of the dealer or installer and not that of the Company.
8. We will in no event be liable for any breach of this express warranty in an amount exceeding the original purchase price of the AGA ventilation hood, nor will be liable for any incidental or consequential damages.

TO ENSURE PROMPT WARRANTY SERVICE, SEND IN YOUR WARRANTY CARD WITHIN 10 DAYS OF PURCHASE.

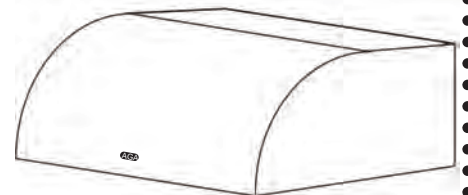
PLACE OF PURCHASE _____

DATE OF PURCHASE _____

SERIAL NUMBER _____

MODEL NUMBER _____

If further help is needed concerning this warranty, contact:
Customer Service
AGA-Heartland
1050 Fountain St N.
Cambridge, Ontario
N3H-4R7



Business (519) 650-5775
Fax (519)650-3773
Toll Free Telephone 1-877-650-5775
Toll Free Fax 1-800-327-5609