



PRO WALL VENTILATION HOODS

INSTALLATION INSTRUCTIONS





CONTACT INFORMATION

**Wolf Customer
Service:**
800-332-9513

Website:
wolfappliance.com

As you follow these instructions, you will notice **WARNING** and **CAUTION** symbols. This blocked information is important for the safe and efficient installation of Wolf equipment. There are two types of potential hazards that may occur during installation.

⚠ CAUTION

signals a situation where minor injury or product damage may occur if you do not follow instructions.

⚠ WARNING

states a hazard that may cause serious injury or death if precautions are not followed.

Another footnote we would like to identify is **IMPORTANT NOTE**: This highlights information that is especially relevant to a problem-free installation.



INSTALLATION REQUIREMENTS

IMPORTANT NOTE: This installation must be completed by a qualified installer or Wolf authorized service center technician.

- **Installer:** Please read the entire Installation Instructions prior to installation. Save these instructions for the local inspector’s reference, then leave them with the homeowner.
- **Homeowner:** Please read and keep these instructions for future reference and be sure to read the entire Use & Care Information prior to use.

Any questions or problems about the installation should be directed to your Wolf dealer or Wolf Appliance, Inc. at 800-332-9513. You can also visit our website at wolfappliance.com.

IMPORTANT NOTE: This appliance must be installed in accordance with National Electrical Codes, as well as all state, municipal and local codes. The correct voltage, frequency and amperage must be supplied to the appliance from a dedicated, grounded circuit which is protected by a properly sized circuit breaker or time delay fuse. The proper voltage, frequency, and amperage ratings are listed on the product rating plate.

Record the model and serial numbers before installing the wall hood. Both numbers are listed on the rating plate, located inside the left wall of the hood shell. Refer to the illustration below.

⚠ WARNING

WARNING – TO REDUCE THE RISK OF FIRE, ELECTRIC SHOCK, OR INJURY TO PERSONS, OBSERVE THE FOLLOWING:

- A)** Installation work and electrical wiring must be done by qualified person(s) in accordance with all applicable codes and standards, including fire-rated construction.
- B)** When cutting or drilling into wall or ceiling, do not damage electrical wiring and other hidden utilities.
- C)** Ducted fans must always be vented to the outdoors.

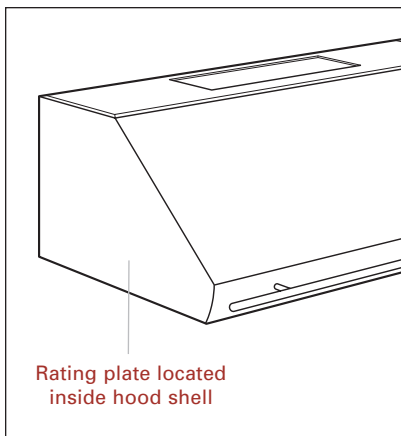
⚠ CAUTION

To reduce the risk of fire and to properly exhaust air, be sure to duct air outside. Do not vent exhaust air into spaces within walls or ceilings or into attics, crawl spaces or garages.

RATING PLATE INFORMATION

Model Number

Serial Number



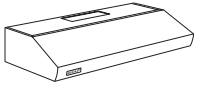
Rating plate location

Dimensions in parentheses are in millimeters unless otherwise specified.

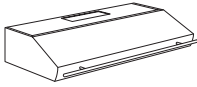


LIST OF MATERIALS

INSTALLATION CONSIDERATIONS



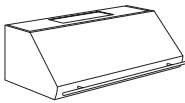
Low-Profile Wall Hood



Low-Profile Wall Hood (R) Rail Option



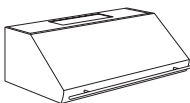
24" (610) Wall Hood



24" (610) Wall Hood (R) Rail Option



27" (686) Wall Hood



27" (686) Wall Hood (R) Rail Option

The following is a list of materials shipped with the Wolf Pro wall ventilation hood.

- Stainless steel wall hood
- Transition with backdraft damper—24" (610) and 27" (686) deep hoods: attached inside hood (needs to be removed prior to installation)
- Decorative stainless steel rail and installation components—(R) model hoods only
- Control knobs—two for low-profile and 24" (610) deep hoods, three for 27" (686) deep hoods
- Filters (installed in hood)
- Grease cups—24" (610) and 27" (686) deep hoods only (shipped loose in carton)
- Halogen lamps for lighting—heat lamps for 27" (686) deep hoods are not included
- Wood mounting support—24" (610) and 27" (686) deep hoods only
- Installation package (part #810555) mounting hardware included:
 - (10) #8 x 3" (76) Phillips drywall screws,
 - (12) #10 x 1 1/2" (38) pan head wood screws,
 - (12) #12 flat washers
 - (4) #8 x 3" (76) Phillips sheet metal screws
- Installation Instructions
- Use & Care Information and product registration card
- Wolf logo nameplate
- Bottle of Signature stainless steel cleaner

Wolf Pro wall ventilation hoods are recommended for use with all Wolf cooking appliances.

IMPORTANT NOTE: For optimal performance, a Pro 27" (686) deep wall hood is recommended for use with ranges and rangetops that contain a charbroiler or griddle.

- Proper installation is the responsibility of the installer. Product failure due to improper installation is not covered under the Wolf Warranty. Refer to the Wolf Pro Ventilation Hoods Use & Care Information for warranty details, or visit our website, wolfappliance.com.
- Make sure you have the tools and materials necessary for proper installation.
- Warranty service must be performed by a Wolf authorized service center. Wolf is not responsible for service required to correct a faulty installation.

IMPORTANT NOTE: Wolf Pro ventilation hoods are shipped without the blower assembly. Wolf internal, in-line and remote blower assemblies are available, refer to page 24. Use only a Wolf blower with the Pro wall ventilation hood.



INSTALLATION CONSIDERATIONS

IMPORTANT NOTE: Wolf recommends that the Pro wall ventilation hood be installed 30" (762) to 36" (914) above the countertop.

Rail option (R) wall hoods come with a classic stainless steel decorative rail and stand-offs. Optional platinum or brass rails are available to match Wolf dual fuel range bezels. Contact your Wolf dealer for details.

ELECTRICAL REQUIREMENTS

Wolf Pro wall ventilation hoods require a separate, grounded 110/120 V AC, 60 Hz power supply. The service should have its own 15 amp circuit breaker. Locate the electrical supply within the shaded area shown in the Installation Specifications illustration on page 7.

You must follow all National Electrical Code regulations. In addition, be aware of local codes and ordinances when installing your service.

DUCT COVER

If you are installing a Wolf duct cover with the Pro wall hood, refer to instructions on page 18 before installing the hood.

RECIRCULATING KIT

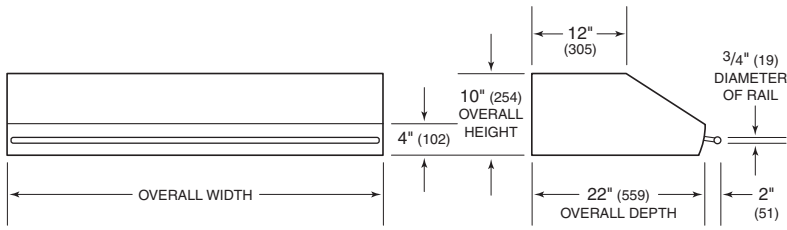
If you are installing the accessory recirculating kit, refer to the instructions included with the kit before installing the hood. Accessory kits are available through your Wolf dealer.

HORIZONTAL DISCHARGE KIT

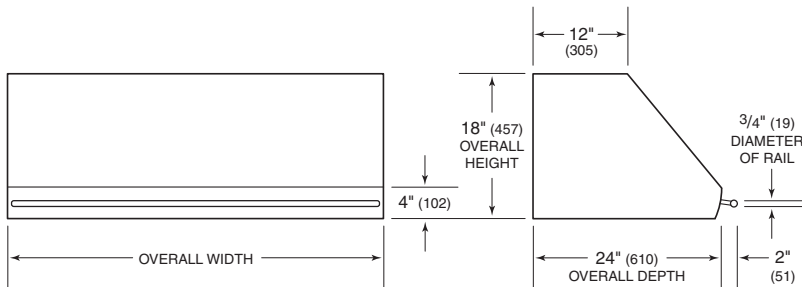
Pro low-profile wall hoods come standard from the factory with horizontal or vertical discharge. If a horizontal discharge is needed for installation of a 24" (610) or 27" (686) deep wall hood, an accessory horizontal discharge kit is required. Refer to the instructions included in the kit for complete mounting and blower options. Accessory kits are available through your Wolf dealer.

ACCESSORIES

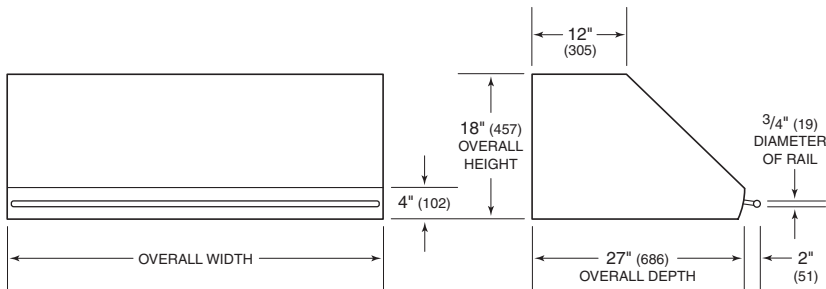
Optional accessories are available through your Wolf dealer. To obtain local dealer information, visit the Showroom Locator section of our website, wolfappliance.com.



Low-Profile Wall Hood
shown with (R) rail option



24" (610) Deep Wall Hood
shown with (R) rail option



27" (686) Deep Wall Hood
shown with (R) rail option

OVERALL DIMENSIONS

LOW-PROFILE WALL HOODS

Overall Widths	30" (762), 36" (914), 42" (1067) and 48" (1219)
Overall Height	10" (254)
Overall Depth (excluding rail)	22" (559)
Shipping Weight (shell only)	39–55 lbs (18–25 kg)

Unit dimensions may vary to ±1/8" (3).

24" (610) DEEP WALL HOODS

Overall Widths	30" (762), 36" (914), 42" (1067), 48" (1219), 54" (1372), 60" (1524) and 66" (1676)
Overall Height	18" (457)
Overall Depth (excluding rail)	24" (610)
Shipping Weight (shell only)	67–126 lbs (30–57 kg)

Unit dimensions may vary to ±1/8" (3).

27" (686) DEEP WALL HOODS

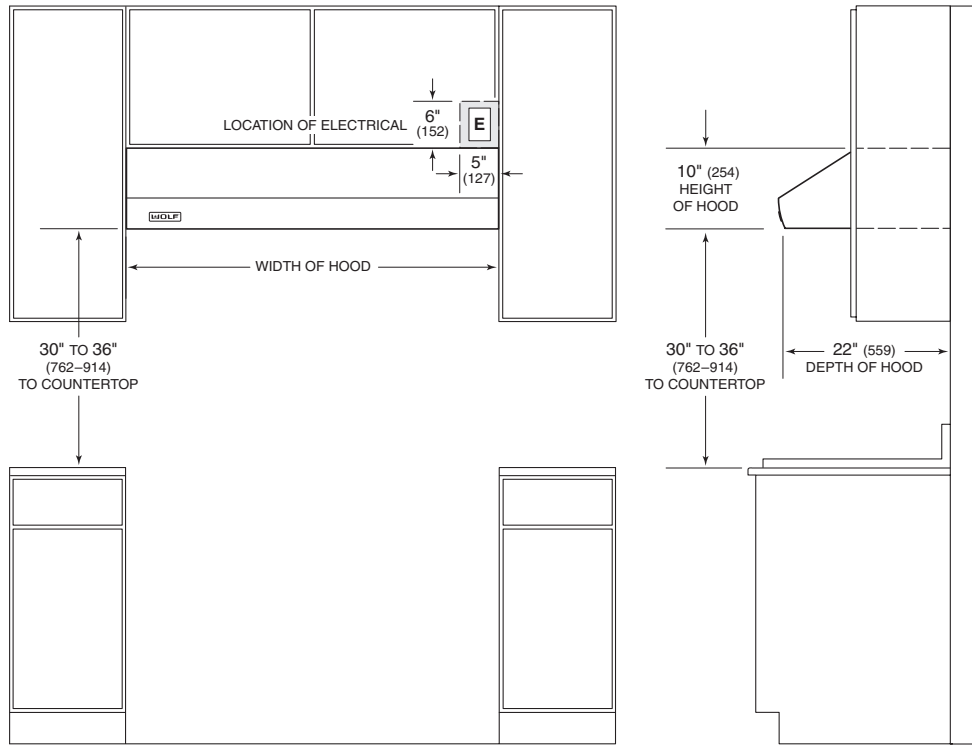
Overall Widths	30" (762), 36" (914), 42" (1067), 48" (1219), 54" (1372), 60" (1524) and 66" (1676)
Overall Height	18" (457)
Overall Depth (excluding rail)	27" (686)
Shipping Weight (shell only)	92–163 lbs (42–74 kg)

Unit dimensions may vary to ±1/8" (3).

Dimensions in parentheses are in millimeters unless otherwise specified.

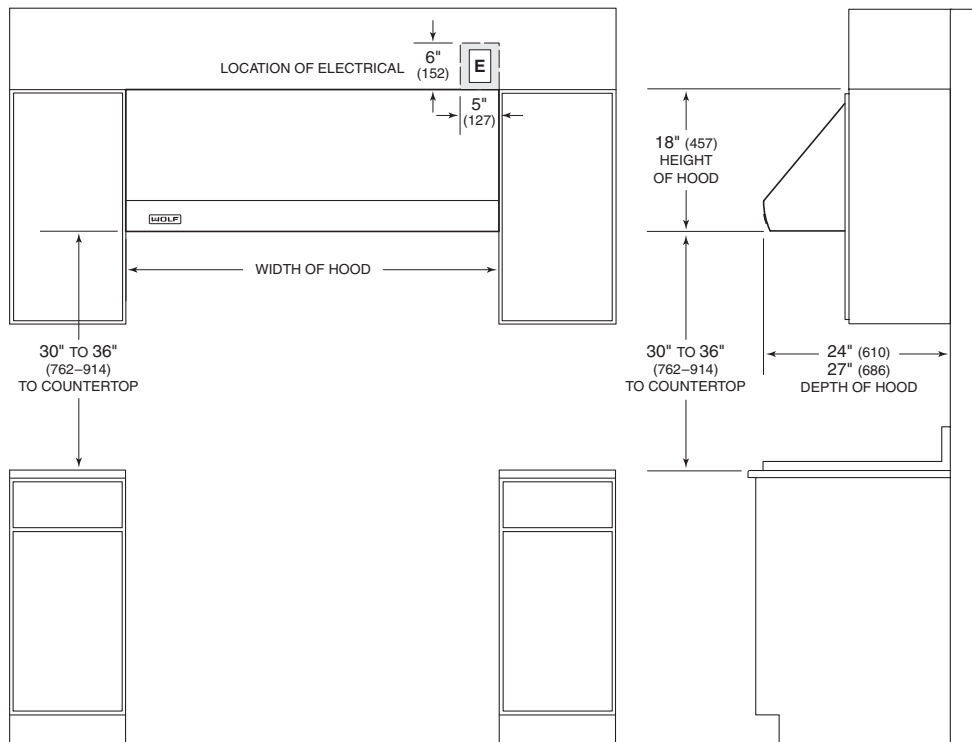


INSTALLATION SPECIFICATIONS



Low-Profile Wall Hoods

NOTE: Pro low-profile wall hoods have an adjustable discharge.



24" (610) and 27" (686) Deep Wall Hoods

NOTE: 24" (610) and 27" (686) deep wall hoods have a vertical discharge. A horizontal discharge kit is available as a sales accessory.



Low-Profile Wall Hoods – 10" (254) Round Accessory Transition (for use with in-line or remote blower)

Model	(A)	(B)	(C)	(D)
PW302210(R)	30" (762)	9" (229)	14 ³ / ₄ " (375)	5 ⁵ / ₈ " (143)
PW362210(R)	36" (914)	9" (229)	17 ³ / ₄ " (451)	5 ⁵ / ₈ " (143)
PW422210(R)	42" (1067)	9" (229)	20 ³ / ₄ " (527)	5 ⁵ / ₈ " (143)
PW482210(R)	48" (1219)	9" (229)	23 ³ / ₄ " (603)	5 ⁵ / ₈ " (143)

Low-Profile Wall Hoods – 500 CFM Internal Blower (vertical discharge)

Model	(A)	(B)	(C)	(D)
PW302210(R)	30" (762)	1 ¹ / ₂ " (38)	14 ³ / ₄ " (375)	2 ⁵ / ₈ " (60)
PW362210(R)	36" (914)	1 ¹ / ₂ " (38)	17 ³ / ₄ " (451)	2 ⁵ / ₈ " (60)
PW422210(R)	42" (1067)	1 ¹ / ₂ " (38)	20 ³ / ₄ " (527)	2 ⁵ / ₈ " (60)
PW482210(R)	48" (1219)	1 ¹ / ₂ " (38)	23 ³ / ₄ " (603)	2 ⁵ / ₈ " (60)

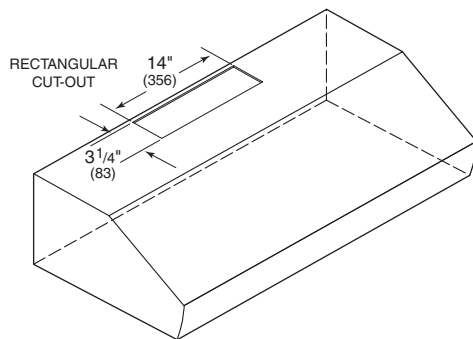
Low-Profile Wall Hoods – 500 CFM Internal Blower (horizontal discharge)

Model	(A)	(B)	(C)	(D)
PW302210(R)	30" (762)	1 ¹ / ₂ " (38)	14 ³ / ₄ " (375)	2" (51)
PW362210(R)	36" (914)	1 ¹ / ₂ " (38)	17 ³ / ₄ " (451)	2" (51)
PW422210(R)	42" (1067)	1 ¹ / ₂ " (38)	20 ³ / ₄ " (527)	2" (51)
PW482210(R)	48" (1219)	1 ¹ / ₂ " (38)	23 ³ / ₄ " (603)	2" (51)

Letters correspond to those in the illustrations.

IMPORTANT NOTE: The transition included with the 500 CFM internal blower accommodates 3¹/₄" (83) x 10" (254) ductwork. An optional 3¹/₄" (83) x 10" (254) to 8" (203) round transition is available as a sales accessory. Contact your Wolf dealer for details.

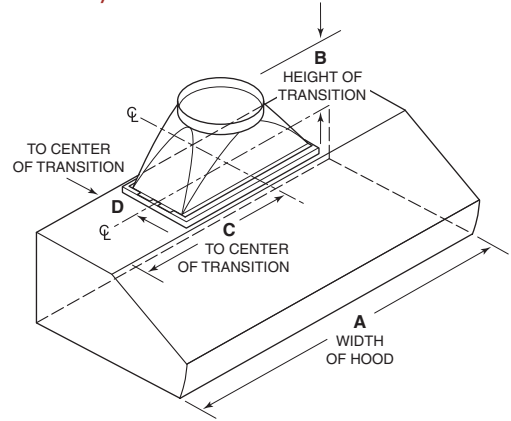
Low-Profile Wall Hoods – No Transition



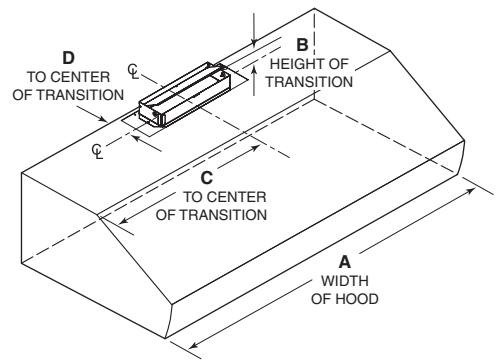
TRANSITION SPECIFICATIONS

The illustrations and chart provide dimensions specific to Pro low-profile wall hood models with different transition applications. These dimensions are critical for proper installation.

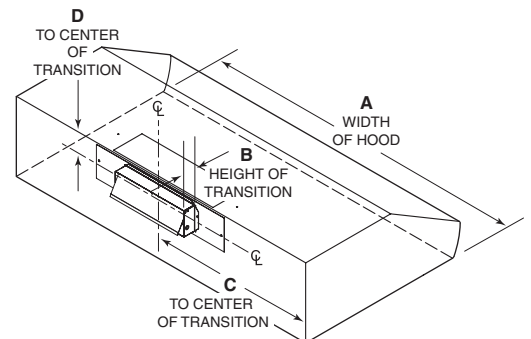
Low-Profile Wall Hoods – 10" (254) Round Accessory Transition



Low-Profile Wall Hoods – 500 CFM Internal Blower (vertical discharge)



Low-Profile Wall Hoods – 500 CFM Internal Blower (horizontal discharge)

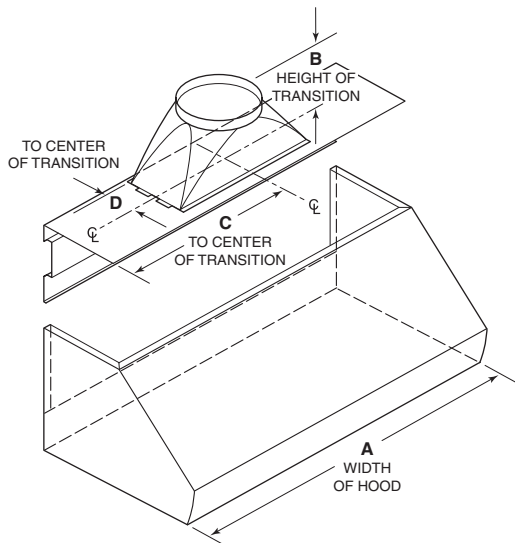




TRANSITION SPECIFICATIONS

The illustration and chart provide dimensions specific to Pro 24" (610) and 27" (686) deep wall hood models. These dimensions are critical for proper installation.

24" (610) and 27" (686) Deep Wall Hoods – Transition Included



24" (610) Deep Wall Hoods

Model	(A)	(B)	(C)	(D)
PW302418(R)	30" (762)	9" (229)	14 ³ / ₄ " (375)	5 ⁵ / ₈ " (143)
PW362418(R)	36" (914)	9" (229)	17 ³ / ₄ " (451)	5 ⁵ / ₈ " (143)
PW422418(R)	42" (1067)	9" (229)	20 ³ / ₄ " (527)	5 ⁵ / ₈ " (143)
PW482418(R)	48" (1219)	9" (229)	23 ³ / ₄ " (603)	5 ⁵ / ₈ " (143)
PW542418(R)	54" (1372)	9" (229)	26 ³ / ₄ " (679)	5 ⁵ / ₈ " (143)
PW602418(R)	60" (1524)	9" (229)	29 ³ / ₄ " (756)	5 ⁵ / ₈ " (143)
PW662418(R)	66" (1676)	9" (229)	32 ³ / ₄ " (832)	5 ⁵ / ₈ " (143)

27" (686) Deep Wall Hoods

Model	(A)	(B)	(C)	(D)
PW302718(R)	30" (762)	9" (229)	14 ³ / ₄ " (375)	5 ⁵ / ₈ " (143)
PW362718(R)	36" (914)	9" (229)	17 ³ / ₄ " (451)	5 ⁵ / ₈ " (143)
PW422718(R)	42" (1067)	9" (229)	20 ³ / ₄ " (527)	5 ⁵ / ₈ " (143)
PW482718(R)	48" (1219)	9" (229)	23 ³ / ₄ " (603)	5 ⁵ / ₈ " (143)
PW542718(R)	54" (1372)	9" (229)	26 ³ / ₄ " (679)	5 ⁵ / ₈ " (143)
PW602718(R)	60" (1524)	9" (229)	29 ³ / ₄ " (756)	5 ⁵ / ₈ " (143)
PW662718(R)	66" (1676)	9" (229)	32 ³ / ₄ " (832)	5 ⁵ / ₈ " (143)

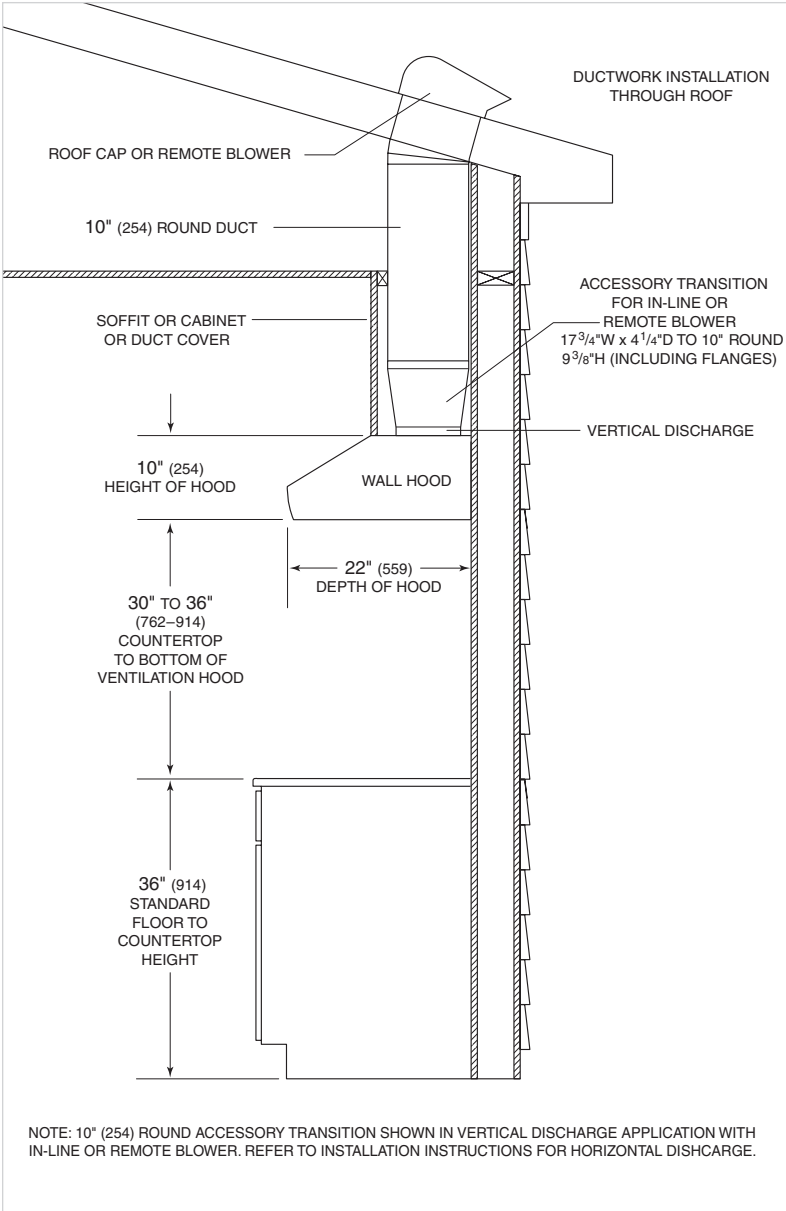
Letters correspond to those in the illustrations.

Dimensions in parentheses are in millimeters unless otherwise specified.



LOW-PROFILE WALL HOODS

STEP 1: INSTALL DUCTWORK



Ducting for low-profile wall hoods with in-line or remote blower

⚠ WARNING
To reduce the risk of fire, use only metal ductwork.

IMPORTANT NOTE: Wolf recommends that the Pro low-profile wall hood be installed 30" (762) to 36" (914) above the countertop.

IMPORTANT NOTE: Consult a qualified HVAC Engineer for specific ducting applications.

IMPORTANT NOTE: All Pro low-profile wall hoods must exhaust to the outdoors except when used with the accessory recirculating kit (Models PW302210 and PW362210 only). Always use metal ducting. Do not use flex ducting.

Decide where the ductwork will run between the wall hood and the outside. A straight, short duct run will allow the hood to perform more efficiently. Limit the number of elbows and transitions to as few as possible. Long duct runs, elbows and transitions will reduce the performance of the hood. Wolf recommends the maximum linear duct run be no greater than 50' (15 m).

IMPORTANT NOTE: There is a possibility of noise issues, if there is a short duct run coupled with a remote blower.

IMPORTANT NOTE: Pro low-profile wall hoods come standard from the factory with horizontal or vertical discharge. When using an in-line or external blower, use either the optional accessory 10" (254) round transition (part #811194) or a custom piece. The rectangular cut-out on the hood is 3 1/4" (83) x 14" (356).

IMPORTANT NOTE: Internal blower WBLOWER-50INT comes with a transition for use with 3 1/4" (83) x 10" (254) ducting, attached to the blower. A 3 1/4" (83) x 10" (254) to 8" (203) round transition (part #804707) for use with WBLOWER-50INT is available as a sales accessory.



LOW-PROFILE WALL HOODS

STEP 1: INSTALL DUCTWORK

Always install a roof or wall cap if you are not installing a remote blower. Connect 8" (203) or 10" (254) round metal ductwork to the cap and work back towards the hood. Use duct sealing tape on joints between ductwork sections.

Local codes may require the use of a backdraft damper. Contact your local HVAC professional for specific requirements. In cold weather installations, a backdraft damper is necessary to minimize the backflow of cold air into the room.

Local building codes may require the use of make-up air. Consult your local HVAC professional for specific requirements in your area.

⚠ CAUTION
 To reduce the risk of fire and electric shock, install this ventilation hood only with a blower manufactured by Wolf. Blower model numbers are listed on page 24.

STEP 2: WALL PREPARATION

⚠ WARNING
 Framing must be tied together and to ceiling joists to provide enough structural strength to support the weight of the hood and internal blower, if applicable.

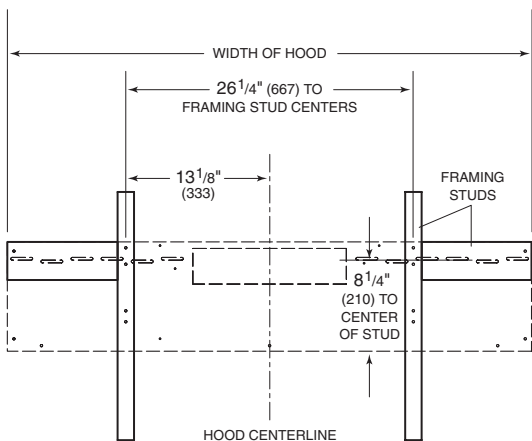
- Construct the wall framing as shown in the illustration below. Be sure to locate horizontal framing using the desired installation height of the hood.

Refer to the illustrations below for the location of mounting holes for low-profile wall hoods.

⚠ CAUTION
 If wall framing is not available, wall anchors must be used.

STEP 3: HOOD PREPARATION

IMPORTANT NOTE: If an optional duct cover is to be used, follow the instructions on page 18 before installing the wall hood. If you are installing a recirculating kit, refer to instructions included with the kit before installing the wall hood.



Wall framing

Dimensions in parentheses are in millimeters unless otherwise specified.



LOW-PROFILE WALL HOODS

- If you are using WBLOWER-50INT, refer to installation instructions provided with the blower and follow instructions for horizontal and vertical discharge. Install the blower in the hood before mounting the hood to the wall.
- Remove the filters by pushing each filter up at the angle it is placed in, and rotate down. Remove the center filter first. Gloves should be worn to provide the proper grip when removing filters.
- If you are using an inline or remote blower, attach the optional accessory 10" (254) round transition or custom piece to the top of the wall hood using holes provided.
- If you are installing an in-line or remote blower, drill a 7/8" (22) hole through the wood framing for the conduit. Refer to the in-line and remote blower information on pages 22–23 and follow installation instructions provided with the blower.

IMPORTANT NOTE: Do not run wiring for the remote blower through the ductwork.

STEP 4: HOOD INSTALLATION

IMPORTANT NOTE: If a backsplash is to be used, it should be installed before the wall hood is mounted. Refer to the instructions included with the kit for complete mounting instructions.

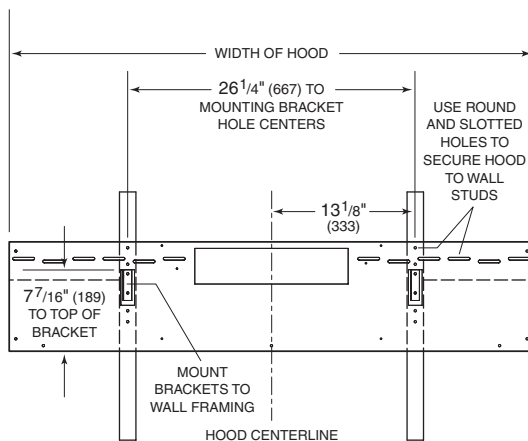
Install the wall mounting brackets as shown in the illustration below. Hang the wall hood on the installation brackets in preparation for attaching the hood to framing.

Position the hood in the desired location on the wall. Depending on the application, install the #10 x 1 1/2" (38) screws with washers or 3" (76) drywall screws through the mounting holes on the back plate. Verify that the screws engage the wall studs or framing. If not, wall anchors must be used.

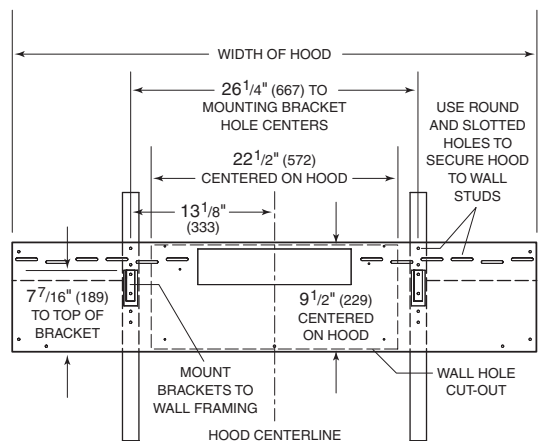
IMPORTANT NOTE: If additional support is required for the wall hood, drill supplementary mounting holes in the back plate and use these holes to attach the hood assembly to the wall framing.

⚠ CAUTION

Due to the weight of the wall hood, be sure to have adequate manpower for installation.



Hood installation—vertical discharge



Hood installation—horizontal discharge



24" (610) AND 27" (686) WALL HOODS

STEP 1: INSTALL DUCTWORK

⚠ WARNING
To reduce the risk of fire, use only metal ductwork.

IMPORTANT NOTE: Wolf recommends that the Pro wall ventilation hood be installed 30" (762) to 36" (914) above the countertop.

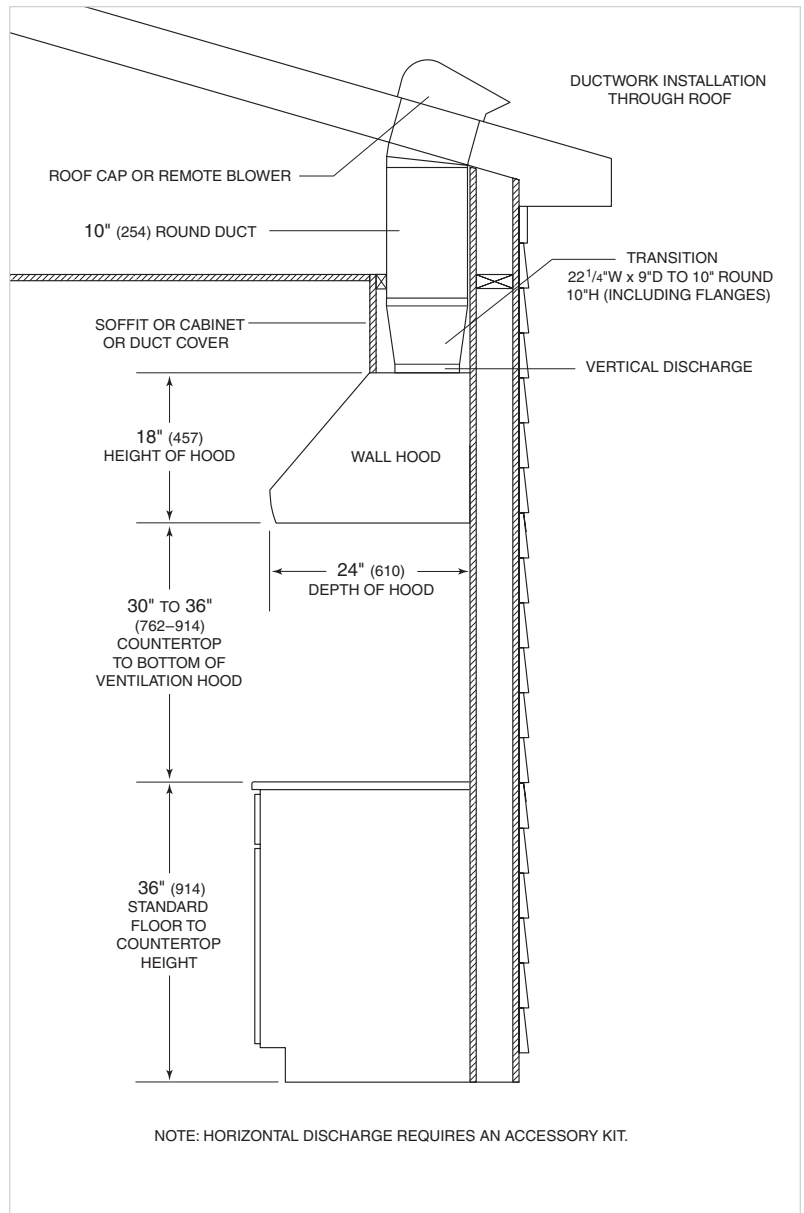
IMPORTANT NOTE: Consult a qualified HVAC Engineer for specific ducting applications.

IMPORTANT NOTE: All Pro 24" (610) and 27" (686) deep wall hoods must exhaust to the outdoors except when used with the accessory recirculating kit (Models PW302418 and PW362418 only). Always use metal ducting. Do not use flex ducting.

Decide where the ductwork will run between the wall hood and the outside. A straight, short duct run will allow the hood to perform more efficiently. Limit the number of elbows and transitions to as few as possible. Long duct runs, elbows and transitions will reduce the performance of the hood. Wolf recommends the maximum linear duct run be no greater than 50' (15 m).

IMPORTANT NOTE: There is a possibility of noise issues, if there is a short duct run coupled with a remote blower.

IMPORTANT NOTE: If a horizontal discharge is needed for installation of a 24" (610) or 27" (686) deep wall hood, an accessory horizontal discharge kit is required. Refer to instructions included with the kit for complete mounting and blower options. Accessory kits are available through your Wolf dealer.



Ducting for 24" (610) deep wall hoods



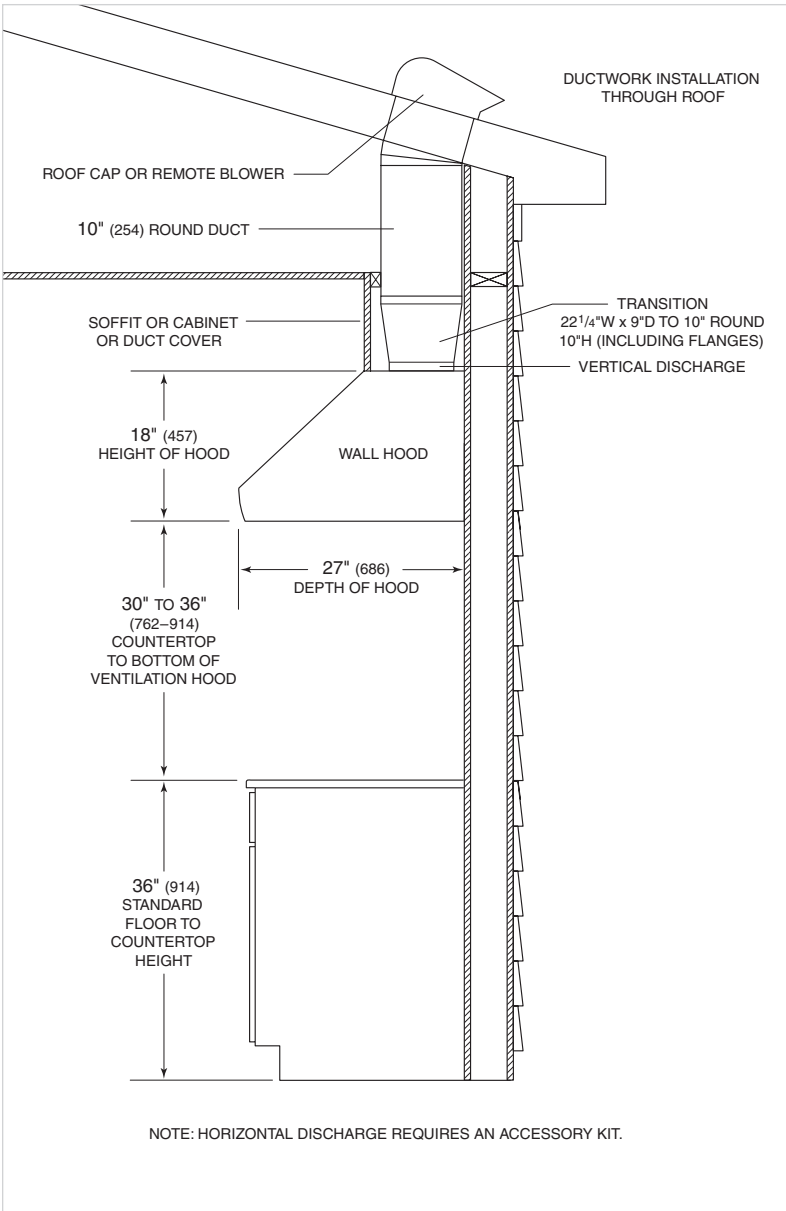
24" (610) AND 27" (686) WALL HOODS

STEP 1: INSTALL DUCTWORK

Always install a roof or wall cap if you are not installing a remote blower. Connect 10" (254) round metal ductwork to the cap and work back towards the hood. Use duct sealing tape on joints between ductwork sections.

Wolf Pro 24" (610) and 27" (686) deep wall hoods come standard with a backdraft damper included in the transition assembly. Local codes may require the use of an additional backdraft damper. Contact your local HVAC professional for specific requirements. In cold weather installations, a backdraft damper is necessary to minimize the backflow of cold air into the room.

Local building codes may require the use of make-up air. Consult your local HVAC professional for specific requirements in your area.



Ducting for 27" (686) deep wall hoods

⚠ CAUTION

To reduce the risk of fire and electric shock, install this ventilation hood only with a blower manufactured by Wolf. Blower model numbers are listed on page 24.



24" (610) AND 27" (686) WALL HOODS

STEP 2: WALL PREPARATION

⚠ WARNING

Framing must be tied together to provide enough structural strength to support the weight of the hood and internal blower, if applicable.

- Construct the wood wall framing flush with the wall studs and centered in the location that the hood will be mounted. Finish the wall surface.
- Attach the provided wood mounting support. Refer to the illustration and the chart below. The wood support should be centered within the desired hood location. Use the provided 3" (76) screws to attach the support to the wall. The location of these screws should correspond to the wood supports within the walls or the framing.

IMPORTANT NOTE: The screws should be countersunk so that they are below flush.

- Install the flat metal hood retaining brackets to the wood mounting support at the locations shown in the illustration and the chart below. Use the provided #10 X 1 1/2" (38) screws and washers to secure these brackets in place. The metal bracket should be mounted 1/2" (13) above the top of the wood mounting support.

IMPORTANT NOTE: The location of this wood mounting support and retaining bracket allow for 1/2" (13) clearance at the top of the hood for ease of installation. This gap will be taken up during final mounting of the hood to the wood mounting support.

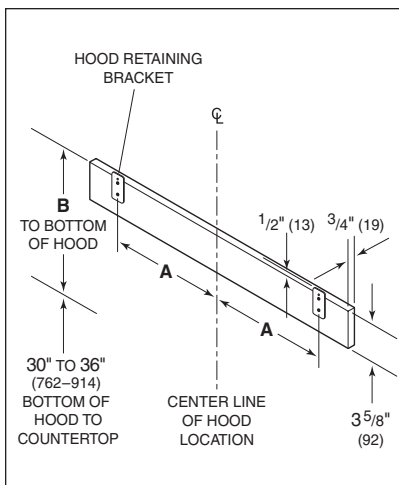
Refer to the illustration below for the location of mounting holes for the Pro 24" (610) and 27" (686) deep wall hoods.

ACCESSORIES

Optional accessories are available through your Wolf dealer. To obtain local dealer information, visit the Showroom Locator section of our website, wolfappliance.com.

⚠ CAUTION

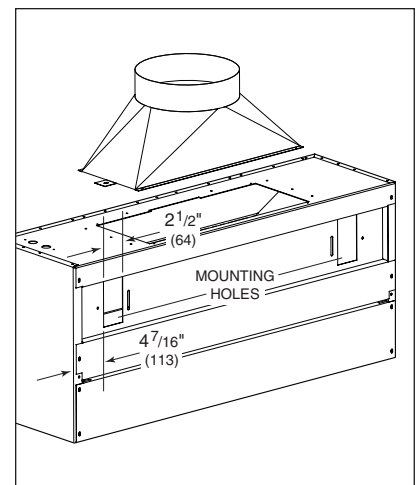
If wall framing is not available, wall anchors must be used.



Wood mounting support

Wood Mounting Support

Hood Width	(A)	(B)
30" (762)	11 3/4" (298)	15 1/8" (384)
36" (914)	12 1/4" (311)	15 1/8" (384)
42" (1067)	15 1/4" (387)	15 1/8" (384)
48" (1219)	18 1/4" (464)	15 1/8" (384)
54" (1372)	21 1/4" (540)	15 1/8" (384)
60" (1524)	24 1/4" (616)	15 1/8" (384)
66" (1676)	27 1/4" (692)	15 1/8" (384)



Location of mounting holes

Dimensions in parentheses are in millimeters unless otherwise specified.

24" (610) AND 27" (686) WALL HOODS

STEP 3: HOOD PREPARATION

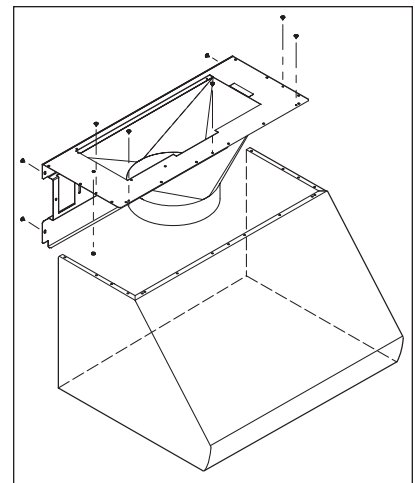
IMPORTANT NOTE: If a duct cover is to be used, follow instructions on page 18 before installing the wall hood. If you are installing a recirculating kit, refer to instructions included with the kit before installing the wall hood.

IMPORTANT NOTE: Wolf recommends installing the internal blower to the back plate prior to mounting the hood.

- If you are installing WBLOWER-60INT, WBLOWER-90INT or WBLOWER-120INT, refer to the internal blower information on page 21 and follow installation instructions provided with the blower assembly.
- The hood assembly is shipped with the back plate/transition attached. The transition is shipped upside down in the top of the hood. It must be removed and reinstalled in the proper position.
- Remove the filters by pushing each filter up at the angle it is placed in, and rotate down. Remove the center filter first. Then take out the grease cups placed on the bottom edge of the hood coinciding with the bottom edge of the filters. Gloves should be worn to provide the proper grip when removing filters.

- Detach the back plate/transition assembly from the hood by removing the screws from the top and back of the assembly. Refer to the illustration below.
- Separate the transition from the back plate by removing the shipping nut from the inside of the back plate.
- Position the back plate in the desired location and mark the mounting holes on the wood support. Drill pilot holes for the mounting hardware.
- If you are installing an in-line or remote blower, drill an additional $\frac{7}{8}$ " (22) hole through the wood framing for the conduit in order to run power to the blower. Refer to the illustration on page 19 for location of the electrical box and to the in-line and remote blower information on pages 22–23. Also, follow installation instructions provided with the blower assembly.

IMPORTANT NOTE: Do not run wiring for the remote blower through the ductwork.



Back plate/transition assembly



24" (610) AND 27" (686) WALL HOODS

STEP 4: REATTACH BACK PLATE

Follow these instructions to reattach the back plate to the wall hood:

- Attach the transition to the back plate using the four shipping screws provided in the hardware mounting kit.
- Reinstall the shipping screws removed previously from the top and back of the back plate.
- Use duct sealing tape to ensure a tight seal from the transition to the back plate.

IMPORTANT NOTE: If additional support is required, drill supplementary mounting holes in the back plate and use these holes to attach the hood assembly to the wall framing.

⚠ CAUTION

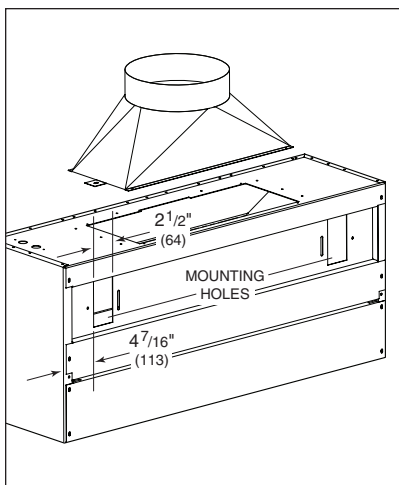
Due to the weight of the hood, be sure to have adequate manpower for installation.

STEP 5: HOOD INSTALLATION

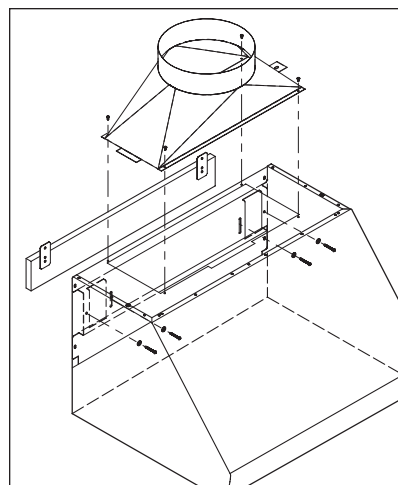
IMPORTANT NOTE: If a backsplash is to be used, it should be installed before the wall hood is mounted. Refer to instructions included with the backsplash.

Follow these instructions to install the wall hood:

- Align the mounting holes in the back plate of the hood assembly with the metal retaining brackets on the wood mounting support. Refer to the illustration below for location of the mounting holes.
- Position the hood and install the #10 x 1¹/₂" (38) screws and washers (included in the hardware mounting kit) through the mounting holes on the back plate. Refer to the illustration below. Verify that the screws engage the wood mounting support.
- Attach the transition to existing ductwork with sheet metal screws and duct sealing tape.



Location of mounting holes



Hood installation

Dimensions in parentheses are in millimeters unless otherwise specified.

DUCT COVER INSTALLATION

⚠ CAUTION

Installing a duct cover assembly will impact all aspects of the hood installation including hood location, ducting, electrical placement and the mounting surface.

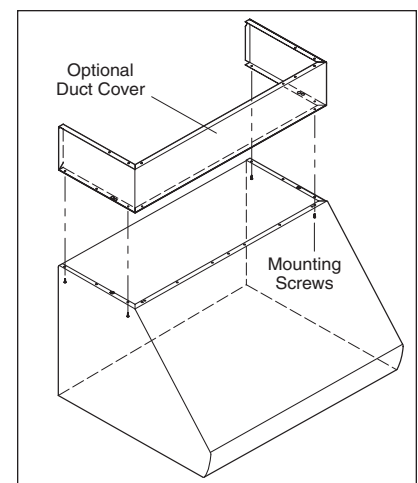
Duct covers 6" (152), 12" (305), 18" (457) and 24" (610) high in widths to match all wall hoods are available through your Wolf dealer. To obtain local dealer information, visit the Showroom Locator section of our website, wolfappliance.com.

ACCESSORIES

Optional accessories are available through your Wolf dealer. To obtain local dealer information, visit the Showroom Locator section of our website, wolfappliance.com.

IMPORTANT NOTE: If an optional duct cover is to be used with any Wolf Pro wall hood, follow these instructions before installing the hood:

- Remove all screws from the front edge of the back panel on the top of the wall hood. Leave the two screws on the sides as there is a relief in the duct cover for them.
- Attach the duct cover from the inside of the hood through the filter opening using the screws provided.
- Leave screws partially loose until all screws are installed. Check alignment of the duct cover with the hood and tighten the four corner screws to secure the duct cover. Tighten all remaining screws.
- Continue with the installation of the wall hood.



Duct cover installation



ELECTRICAL **WIRING**

⚠ WARNING
 This ventilation hood must be properly grounded. This unit should be installed by a qualified electrician in accordance with all applicable national and local electrical codes.

⚠ WARNING
 Before servicing or cleaning unit, switch power off at service panel and lock the service disconnecting means to prevent power from being switched on accidentally. When the service disconnecting means cannot be locked, securely fasten a prominent warning device, such as a tag, to the service panel.

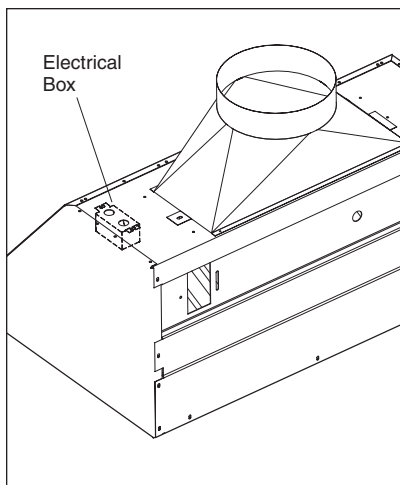
Follow these instructions to install wiring for all Wolf Pro wall hoods:

- Run a 120 V AC, 15 amp circuit power cable from the service panel to the electrical box on the back plate.
- Run the conduit connector through the holes in the back plate. Refer to the illustration below for the location of the electrical box.
- Insert the conduit through the hole on top of the back plate to the electrical box.
- Remove the electrical box cover from the back plate. Connect black wire to power supply black wire, white wire to power supply white wire and green wire to green wire or bare wire.
- Place all wiring connections inside the electrical box and reinstall on the back plate in the upper right-hand corner. Make sure that the wires are secure and that no wires are pinched between the cover and box.

IMPORTANT NOTE

You must follow all National Electrical Code regulations. In addition, be aware of local codes and ordinances when installing your service.

⚠ CAUTION
 Do not remove the control knob bezel to access hood wiring; this will damage the bezel assembly.



Location of electrical box

Dimensions in parentheses are in millimeters unless otherwise specified.

FILTER INSTALLATION

Follow these instructions to install filters and grease cups for Wolf Pro wall hoods:

- Remove all packaging material from the filters and grease cups.
- Slide the grease cups along the bottom edge of the hood so that the lip of the grease cup overhangs slightly.
- Install the filters. Orient each filter with lines running vertically. Position the top edge of the filter as shown in the illustration below. While pressing up against the spring, rotate the bottom edge of the filter into position next to the grease cup. Gloves should be worn to provide proper grip when installing filters.

IMPORTANT NOTE: The illustration shows a 27" (686) deep wall hood filter installation, with the filter sloping up from front to back. For low-profile and 24" (610) deep hoods, the filter will slope down from front to back.

WOLF NAMEPLATE

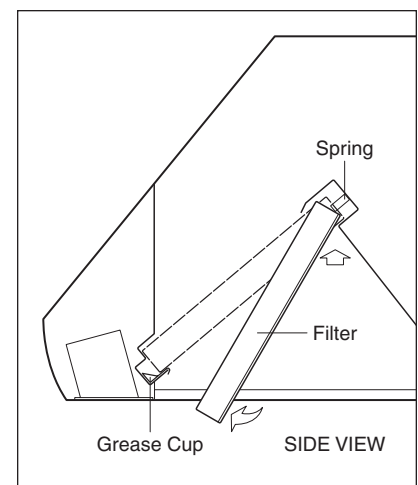
The Wolf logo nameplate does not come installed on the hood since there are various locations that the nameplate can be attached. Also, some customers prefer not to have a nameplate on their hood.

A template for positioning the Wolf logo nameplate in a standard location is included on the back page. Follow these steps to install the nameplate:

- Decide on the location for the nameplate.
- Clean the mounting area with rubbing alcohol.
- If desired, cut out the template from the back page. Fold the template, locate placement on hood and tape to the hood surface. Check alignment and adjust if necessary.
- Remove backing paper from the nameplate.
- Position the nameplate in the template cut-out and press into place.
- Remove the template and any tape residue.

ACCESSORIES

Optional accessories are available through your Wolf dealer. To obtain local dealer information, visit the Showroom Locator section of our website, wolfappliance.com.



Filter installation—27" (686) deep wall hood shown



INTERNAL BLOWERS

BLOWER INSTALLATION

IMPORTANT NOTE: Refer to the specific installation instructions provided with each internal blower for additional mounting and wiring instructions.

IMPORTANT NOTE: Use wire connectors or wire nuts approved by UL or C/UL.

IMPORTANT NOTE: Wolf recommends installing the internal blower to the back plate assembly prior to installing the hood to the wall framing.

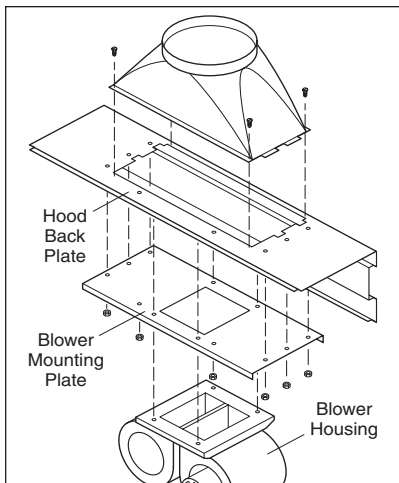
IMPORTANT NOTE: For low-profile wall hoods using the 500 CFM internal blower, refer to the WBLOWER-50INT installation instructions for details.

24" (610) AND 27" (686) DEEP HOODS

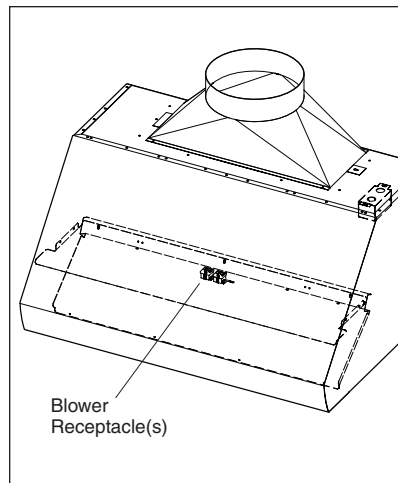
- Assemble the blower housing to the blower mounting plate. Follow installation instructions included with the blower assembly for proper installation.
- Attach the blower assembly to the hood mounting plate. To attach, slide the blower mounting plate over the weld studs and secure with eight nuts (included with the blower). Refer to the illustration below.

- Verify that the blower discharge aligns with the discharge cut-out in the back panel of the hood.
- Install the hood and blower assembly to the wall. Secure the power cord(s) without damaging or pinching while installing the hood.
- Follow hood installation instructions beginning on page 9 for low-profile wall hoods, and page 12 for 24" (610) and 27" (686) deep wall hoods.
- Once the hood installation is complete, plug the blower power cord(s) into receptacle(s) located near the center of the hood shell. Refer to the illustration below. Use the clips on the interior of the hood to keep excess power cord away from moving parts.

IMPORTANT NOTE: Before turning the power on to the ventilation hood, make sure the blower is off.



Internal blower installation



Blower receptacle location

Dimensions in parentheses are in millimeters unless otherwise specified.



IN-LINE AND REMOTE BLOWERS

BLOWER INSTALLATION

IMPORTANT NOTE: Refer to the specific installation instructions provided with each blower for additional mounting instructions.

Locate the blower so that the length of the duct run and number of elbows and transitions are kept to a minimum. Wolf recommends the maximum linear duct run be no greater than 50' (15 m).

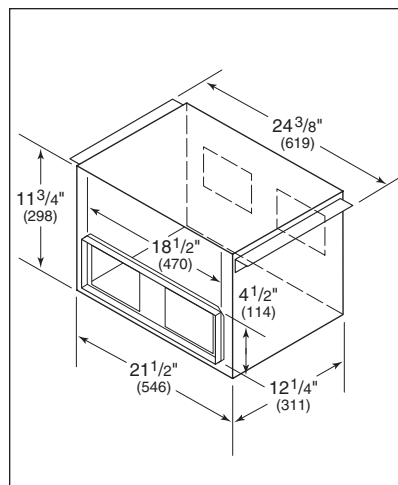
If possible, remote blowers should be located between wall studs or roof rafters. Avoid pipes, wires or other ductwork that may be running through the wall.

Be sure that there is enough space for any transitions that may be needed between the blower and the connecting ductwork. For best performance, locate transitions nearest the blower.

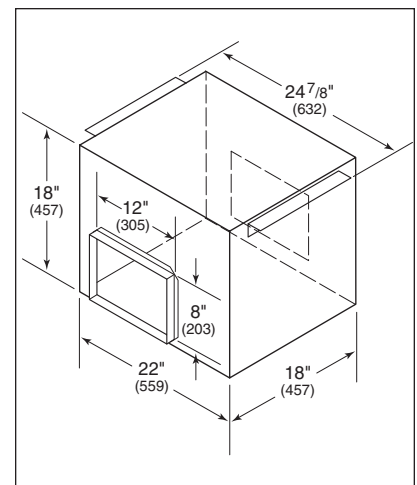
Refer to the illustrations below and on the following page for overall dimensions of Wolf in-line and remote blowers. Also refer to the specific installation instructions provided with each remote blower to verify cut-out dimensions.

ACCESSORIES

Optional accessories are available through your Wolf dealer. To obtain local dealer information, visit the Showroom Locator section of our website, wolfappliance.com.



Dimensions for BLOWER-60IL



Dimensions for BLOWER-110IL



IN-LINE AND REMOTE BLOWERS

BLOWER WIRING

IMPORTANT NOTE: Refer to the specific installation instructions provided with each blower for additional wiring instructions.

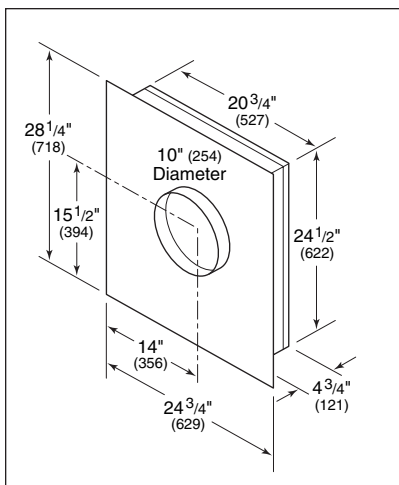
- Follow wiring instructions at the blower as outlined in the specific installation instructions provided with each blower. Black (L1) to black, white (neutral) to white, or white to blue, or white to brown (depending on model) and green to grounding screw. Run blower cable (ROMEX) to the hood.
- Insert 6" (152) of ROMEX cable through the knockout opening and into the electrical box on the back plate of the hood. Secure the cable to the electrical box with an appropriate connector.
- Locate the cord assembly provided with the blower. The cord assembly has two leads, black (L1) and white (neutral). Connect these leads to the leads from the blower, black to black and white to white.
- Connect **all** green and bare wires together to the ground screw in the electrical box.

- Plug the cord assembly into the receptacle located near the center of the hood shell. Refer to the illustration on page 21. Use the clips on the interior of the hood to keep excess power cord away from moving parts.
- Reinstall the electrical box cover and screws in the upper right-hand corner of the hood. Make sure that all wires are secure and that no wires are pinched between the cover and box.

IMPORTANT NOTE: Before turning the power on to the ventilation hood, make sure the blower is off.

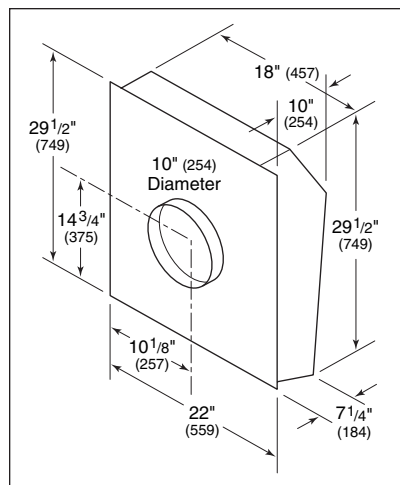
⚠ WARNING

When making electrical connections, make sure the electrical power is turned off at the power source or circuit breaker before proceeding.

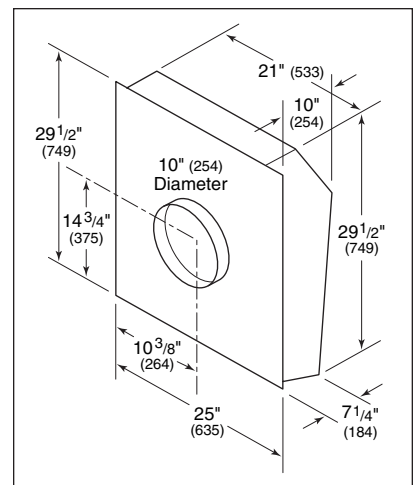


Dimensions for BLOWER-60REM and BLOWER-90REM

Dimensions in parentheses are in millimeters unless otherwise specified.



Dimensions for BLOWER-120REM



Dimensions for BLOWER-150REM

BLOWER ASSEMBLIES

Wolf Pro wall ventilation hoods are shipped without the blower assembly. Wolf internal, in-line and remote blower assemblies are available as sales accessories through your Wolf dealer.

IMPORTANT NOTE: Blower options vary with the cooking surface. Use only a Wolf blower with the Pro wall ventilation hood.

Refer to the Wolf Design Guide for Pro ventilation recommendations. You can also visit our website at wolfappliance.com.

INTERNAL BLOWERS

- **WBLOWER-50INT (810991)** – 500 CFM internal blower for all low-profile wall hoods.
- **WBLOWER-60INT (810559)** – 600 CFM internal blower for 24" (610) and 27" (686) deep wall hoods; 30" (762), 36" (914) and 42" (1067) wide models.
- **WBLOWER-90INT (811131)** – 900 CFM internal blower for 24" (610) and 27" (686) deep wall hoods; 30" (762), 36" (914) and 42" (1067) wide models.
- **WBLOWER-120INT (810316)** – 1200 CFM internal blower for 24" (610) and 27" (686) deep wall hoods; 48" (1219), 54" (1372), 60" (1524) and 66" (1676) wide models.

IN-LINE BLOWERS

- **BLOWER-60IL (808331)** – 600 CFM in-line blower for low-profile wall hoods and 24" (610) and 27" (686) deep wall hoods, Models PW302418 and PW302718.
- **BLOWER-110IL (808332)** – 1100 CFM in-line blower for all 24" (610) and 27" (686) deep wall hoods.

REMOTE BLOWERS

- **BLOWER-60REM (801640)** – 600 CFM remote blower for low-profile wall hoods and Models PW302418 and PW302718.
- **BLOWER-90REM (801641)** – 900 CFM remote blower for low-profile wall hoods and 24" (610) and 27" (686) deep wall hoods; 30" (762), 36" (914), 42" (1067), 48" (1219) and 54" (1372) wide models.
- **BLOWER-120REM (801642)** – 1200 CFM remote blower for all 24" (610) and 27" (686) deep wall hoods.
- **BLOWER-150REM (804701)** – 1500 CFM remote blower for all 24" (610) and 27" (686) deep wall hoods.

ACCESSORIES

Optional accessories are available through your Wolf dealer. To obtain local dealer information, visit the Showroom Locator section of our website, wolfappliance.com.



ACCESSORY KITS

RECIRCULATING KITS

- **RECIRC30 (808223)** – Must be used with WBLOWER-50INT (810991) for low-profile wall hoods and WBLOWER-60INT (810559) for 24" (610) deep wall hoods.
- **RECIRC36 (808224)** – Must be used with WBLOWER-50INT (810991) for low-profile wall hoods and WBLOWER-60INT (810559) for 24" (610) deep wall hoods.

CONTACT
INFORMATION

**Wolf Customer
Service:**
800-332-9513

Website:
wolfappliance.com

TROUBLESHOOTING

IMPORTANT NOTE: If the Pro wall ventilation hood does not operate properly, follow these troubleshooting steps:

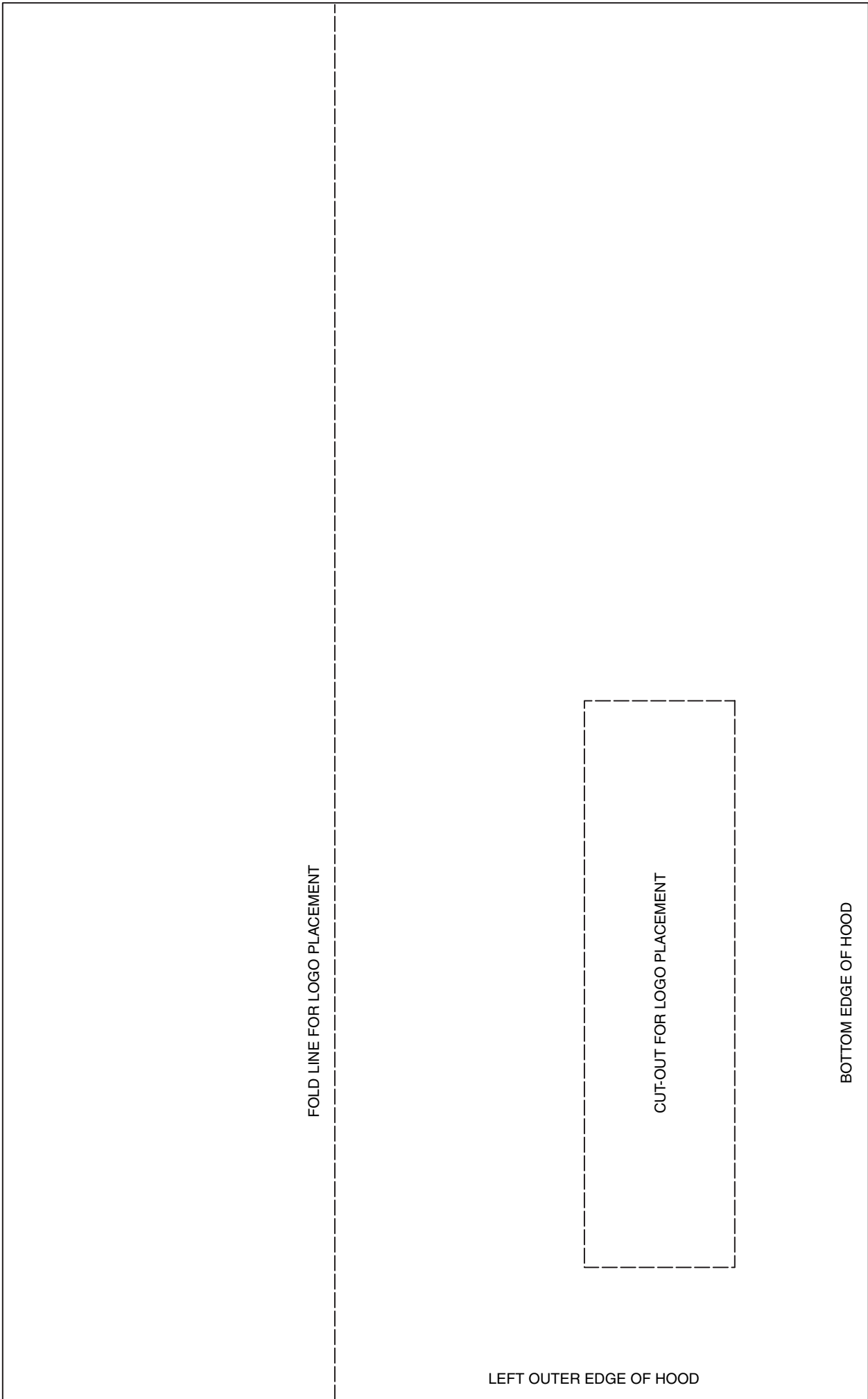
- Verify that power is being supplied to the ventilation hood.
- Check electrical connections to ensure that the installation has been completed correctly.
- Refer to the Troubleshooting Guide in the Wolf Pro Ventilation Hoods Use & Care Information.
- If the ventilation hood still does not work, contact a Wolf authorized service center. Do not attempt to repair the ventilation hood yourself. Wolf is not responsible for service required to correct a faulty installation.

IF YOU NEED SERVICE

- Maintain the quality built into your Pro wall ventilation hood by calling a Wolf authorized service center.
- For the name and number of the Wolf authorized service center nearest you, check the Constant Care section of our website, **wolfappliance.com**, or call Wolf Customer Service at **800-332-9513**.
- When calling for service, you will need the model and serial number of your ventilation hood. This information is found on the rating plate located on the left wall of the hood shell. Refer to the illustration on page 3.

The information and images in this book are the copyright property of Wolf Appliance, Inc., an affiliate of Sub-Zero, Inc. Neither this book nor any information or images contained herein may be copied or used in whole or in part without the express written permission of Wolf Appliance, Inc., an affiliate of Sub-Zero, Inc.

©Wolf Appliance, Inc. all rights reserved.



FOLD LINE FOR LOGO PLACEMENT

CUT-OUT FOR LOGO PLACEMENT

BOTTOM EDGE OF HOOD

LEFT OUTER EDGE OF HOOD



WOLF APPLIANCE, INC. P.O. BOX 44848 MADISON, WI 53744 800-332-9513 WOLFAPPLIANCE.COM

WOLF[®]

811504

7/2007



811504\$RevA