



# PRO WALL CHIMNEY VENTILATION HOODS

## INSTALLATION INSTRUCTIONS

READ AND SAVE THESE INSTRUCTIONS

 WOLF®



## CONTACT INFORMATION

**Wolf Customer Service:**  
800-332-9513

**Website:**  
wolfappliance.com

As you follow these instructions, you will notice **WARNING** and **CAUTION** symbols. This blocked information is important for the safe and efficient installation of Wolf equipment. There are two types of potential hazards that may occur during installation.

### ⚠ CAUTION

signals a situation where minor injury or product damage may occur if you do not follow instructions.

### ⚠ WARNING

states a hazard that may cause serious injury or death if precautions are not followed.

Another footnote we would like to identify is **IMPORTANT NOTE:** This highlights information that is especially relevant to a problem-free installation.



### ⚠ WARNING

**WARNING – TO REDUCE THE RISK OF A RANGE TOP GREASE FIRE:**

- A) Never leave surface units unattended at high settings. Boilovers cause smoking and greasy spillovers that may ignite. Heat oils slowly on low or medium settings.
- B) Always turn hood ON when cooking at high heat or when flambéing food (Crêpes Suzette, Cherries Jubilee, Peppercorn Beef Flambé).
- C) Clean ventilating fans frequently. Grease should not be allowed to accumulate on fan or filter.
- D) Use proper pan size. Always use cookware appropriate for the size of the surface element.

### ⚠ WARNING

**WARNING – TO REDUCE THE RISK OF INJURY TO PERSONS IN THE EVENT OF A RANGE TOP GREASE FIRE, OBSERVE THE FOLLOWING\*:**

- 1) **SMOTHER FLAMES** with a close-fitting lid, baking sheet or metal tray, then turn off the burner. **BE CAREFUL TO PREVENT BURNS. IF THE FLAMES DO NOT GO OUT IMMEDIATELY, EVACUATE AND CALL THE FIRE DEPARTMENT.**
- 2) **NEVER PICK UP A FLAMING PAN**—You may be burned.
- 3) **DO NOT USE WATER**, including wet dishcloths or towels—This could cause a violent steam explosion.
- 4) Use an extinguisher **ONLY IF:**
  - A. You own a Class ABC extinguisher and you know how to operate it.
  - B. The fire is small and contained in the area where it started.
  - C. The fire department has been called.
  - D. You can fight the fire with your back to an exit

\*Based on "Kitchen Fire Safety Tips" published by NFPA.



**INSTALLATION** REQUIREMENTS

**IMPORTANT NOTE:** This installation must be completed by a qualified installer or Wolf authorized service center technician.

- **Installer:** Please read the entire Installation Instructions prior to installation. Save these instructions for the local inspector’s reference, then leave them with the homeowner.
- **Homeowner:** Please read and keep these instructions for future reference and be sure to read the entire Use & Care Information prior to use.

Any questions or problems about the installation should be directed to your Wolf dealer or Wolf Appliance Company, Inc. at 800-332-9513. You can also visit our website at wolfappliance.com.

**IMPORTANT NOTE:** This appliance must be installed in accordance with National Electrical Codes, as well as all state, municipal and local codes. The correct voltage, frequency and amperage must be supplied to the appliance from a dedicated, grounded circuit which is protected by a properly sized circuit breaker or time delay fuse. The proper voltage, frequency, and amperage ratings are listed on the product rating plate.

Record the model and serial numbers before installing the hood. Both numbers are listed on the rating plate, located on the back wall of the hood shell. Refer to the illustration below.

**⚠ WARNING**

**WARNING – TO REDUCE THE RISK OF FIRE, ELECTRIC SHOCK, OR INJURY TO PERSONS, OBSERVE THE FOLLOWING:**

- A)** Installation work and electrical wiring must be done by qualified person(s) in accordance with all applicable codes and standards, including fire-rated construction.
- B)** When cutting or drilling into wall or ceiling, do not damage electrical wiring and other hidden utilities.
- C)** Ducted fans must always be vented to the outdoors.

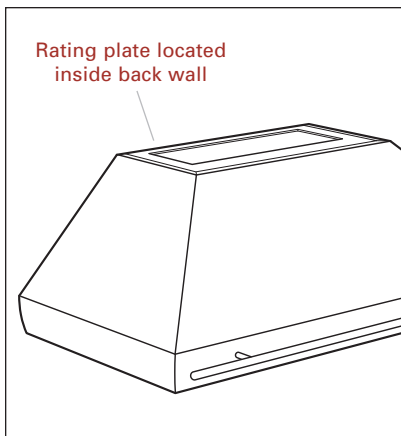
**⚠ CAUTION**

**The hood motor has a thermal overload which will automatically shut off the motor if it becomes overheated. The motor will restart when it has cooled down. If the hood continues to shut off and restart, have the hood serviced.**

RATING PLATE INFORMATION

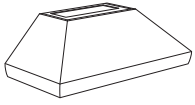
**Model Number**  
\_\_\_\_\_

**Serial Number**  
\_\_\_\_\_

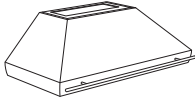


**Rating plate location**

Dimensions in parentheses are in millimeters unless otherwise specified.



**Wall Chimney Hood**



**Wall Chimney Hood  
(R) Rail Option**

## LIST OF MATERIALS

The following is a list of materials shipped with the Wolf Pro wall chimney hood.

- Stainless steel wall chimney hood
- Transition with backdraft damper—attached inside hood (needs to be removed)
- Decorative stainless steel rail and installation components—(R) model hoods only
- Two control knobs
- Filters and grease cups (installed in hood)
- Wood mounting strip
- Installation package
- Installation Instructions
- Use & Care Information and product registration card
- Wolf logo nameplate

## INSTALLATION CONSIDERATIONS

Wolf Pro wall chimney ventilation hoods are recommended for use with all Wolf cooking appliances.

- Proper installation is the responsibility of the installer. Product failure due to improper installation is not covered under the Wolf Warranty. Refer to the Wolf Pro Ventilation Hoods Use & Care Information for warranty details, or visit the Contact/Help section of our website, wolfappliance.com.
- Make sure you have the tools and materials necessary for proper installation.
- Warranty service must be performed by a Wolf authorized service center. Wolf is not responsible for service required to correct a faulty installation.

**IMPORTANT NOTE:** Wolf Pro ventilation hoods are shipped without the blower assembly. Wolf internal, in-line and remote blower assemblies are available, refer to page 17. Use only a Wolf blower with the Pro wall chimney hood.

**IMPORTANT NOTE:** Wolf recommends that the Pro wall chimney hood be installed 30" (762) to 36" (914) above the countertop.

Rail option (R) wall chimney hoods come with a classic stainless steel decorative rail and stand-offs. Optional platinum or brass rails are available to match Wolf dual fuel range bezels. Contact your Wolf dealer for details.

If you are installing an optional duct cover with the Pro wall chimney hood, refer to instructions on page 10 before installing the hood.

### **⚠ CAUTION**

**When performing installation, servicing or cleaning the unit, it is recommended to wear safety glasses and gloves.**



**ELECTRICAL REQUIREMENTS**

Wolf Pro wall chimney ventilation hoods require a separate, grounded 110/120 V AC, 60 Hz power supply. The service should have its own 15 amp circuit breaker. Locate the electrical supply through the top of the hood as shown in the Installation Specifications illustration below. Refer to Install Wiring on pages 12–13.

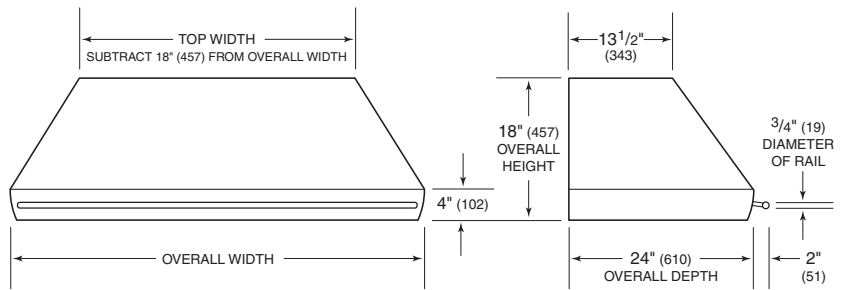
You must follow all National Electrical Code regulations. In addition, be aware of local codes and ordinances when installing your service.

**OVERALL DIMENSIONS**

**PRO WALL CHIMNEY HOODS**

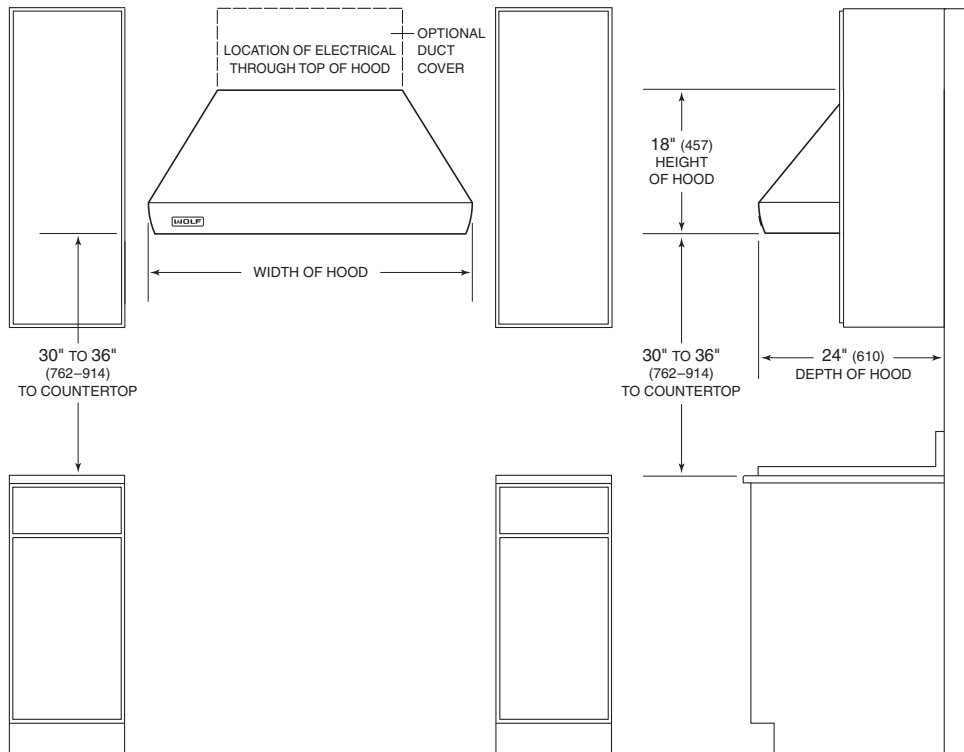
Overall Widths	36" (914), 42" (1067), 48" (1219), and 54" (1372)
Overall Height	18" (457)
Overall Depth (excluding rail)	24" (610)
Shipping Weight (shell only)	67–126 lbs (30–57 kg)

*Dimensions may vary to ±1/8" (3).*



*Pro wall chimney hood shown with (R) rail option.*

**INSTALLATION SPECIFICATIONS**



NOTE: Pro wall chimney hoods have a vertical discharge.

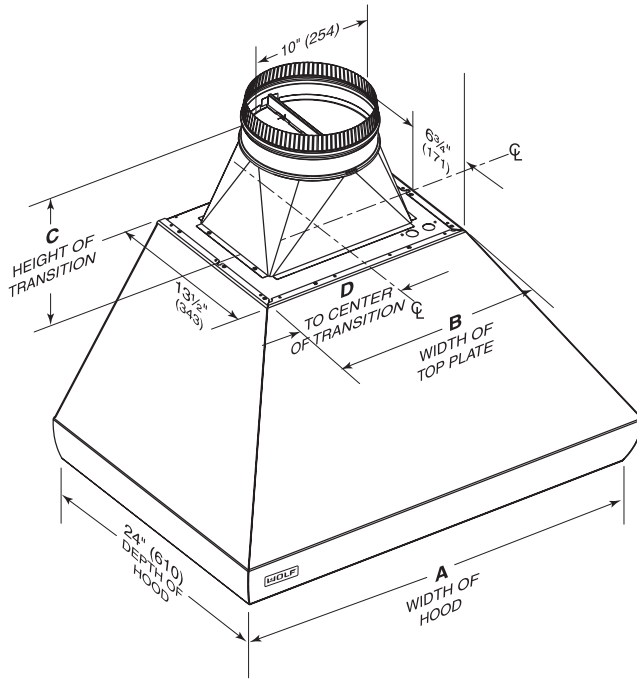
Dimensions in parentheses are in millimeters unless otherwise specified.



**INSTALLATION SPECIFICATIONS**

The illustration and chart below provides dimensions specific to each Pro wall chimney hood model. These dimensions are critical for proper installation.

**⚠ CAUTION**  
 To reduce the risk of fire and electric shock, install this ventilation hood only with a blower manufactured by Wolf. Blower model numbers are listed on page 17.



**Pro Wall Chimney Hoods**

Model	(A)	(B)	(C)	(D)
PWC362418(R)	36" (914)	18" (457)	7" (178)	9" (228)
PWC422418(R)	42" (1067)	24" (610)	7" (178)	12" (304)
PWC482418(R)	48" (1219)	30" (762)	7" (178)	18" (457)
PWC542418(R)	54" (1372)	36" (914)	7" (178)	24" (610)

*Letters correspond to those in the illustrations.*



INSTALL DUCTWORK

**⚠ WARNING**  
**To reduce the risk of fire, use only metal ductwork.**

**IMPORTANT NOTE:** Wolf recommends that the Pro wall chimney hood be installed 30" (762) to 36" (914) above the countertop.

**IMPORTANT NOTE:** All Pro wall chimney hoods must exhaust to the outdoors. Always use metal ducting. Do not use flex ducting.

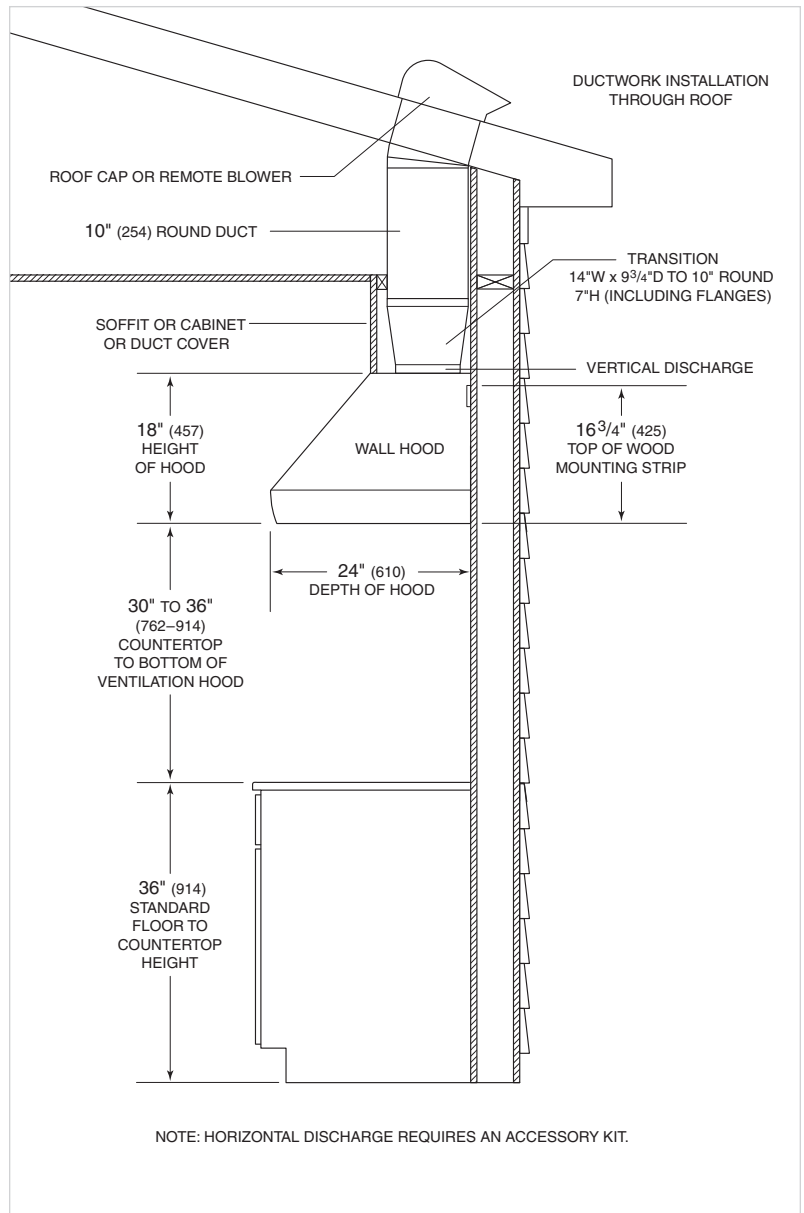
Decide where the ductwork will run between the hood and the outside. A straight, short duct run will allow the hood to perform more efficiently. Limit the number of elbows and transitions to as few as possible. Long duct runs, elbows and transitions will reduce the performance of the hood. Wolf recommends the maximum linear duct run be no greater than 50' (15 m). Pro wall chimney hoods have a vertical discharge.

**IMPORTANT NOTE:** There is a possibility of noise issues, if there is a short duct run coupled with a remote blower.

Always install a roof or wall cap if you are not installing a remote blower. Connect 10" (254) round metal ductwork to the cap and work back towards the hood. Use duct sealing tape on joints between ductwork sections.

Wolf Pro wall chimney hoods come standard with a backdraft damper included in the transition assembly. Local codes may require the use of an additional backdraft damper. Contact your local HVAC professional for specific requirements. In cold weather installations, a backdraft damper is necessary to minimize the backflow of cold air into the room.

Local building codes may require the use of make-up air. Consult your local HVAC professional for specific requirements in your area.



**Ducting for wall chimney hoods**

## WALL FRAMING

**IMPORTANT NOTE:** There must be a minimum 10" (254) opening in the ceiling to accommodate the ductwork necessary for proper ventilation.

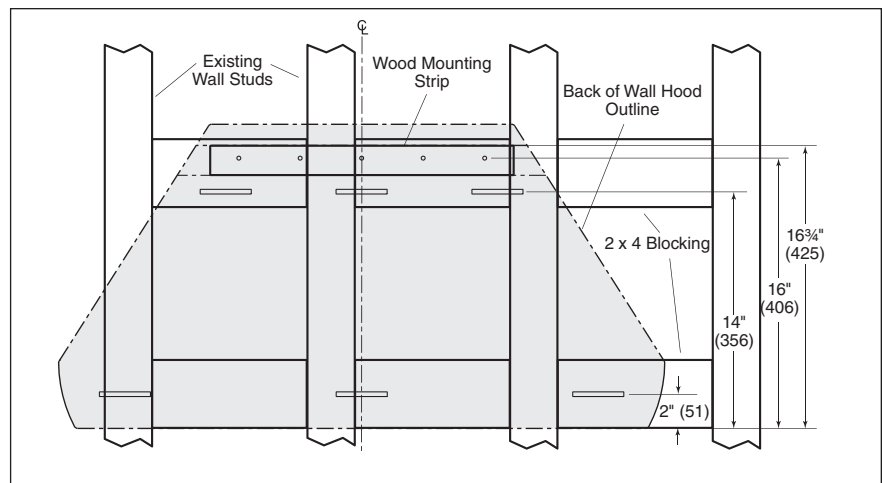
- Layout the dimensions of the back of the wall chimney hood on the wall (shaded area of illustration below). The back of the hood dimensions will vary with the size of the hood. For dimensions of your model, refer to the illustration and chart on page 12.
- Use minimum 2" x 4" lumber to build the framing. Proper structural support is required to accommodate the weight of the hood.
- Mark the center location of the hood. Install 2" x 4" blockings between wall studs. Refer to the illustration below.
- Measure and mark a level line on the wall above the cooking surface for the wood mounting strip.
- Use four #10 x 2" (51) flat head screws to secure the mounting strip to the wall studs and blockings.

**⚠ WARNING**

**Framing must be tied together and to ceiling joists to provide enough structural strength to support the weight of the hood and internal blower, if applicable.**

**⚠ CAUTION**

**Due to the weight of the hood, ensure that the wood strip is attached to all available wall studs and blockings.**



**Framing for wall chimney hoods**





**HOOD PREPARATION**

Follow these steps to prepare the wall chimney hood for installation:

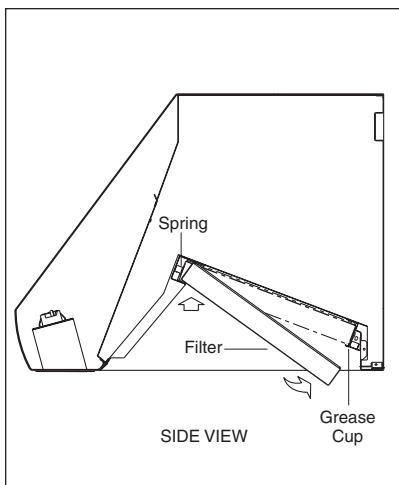
- Remove the filters by pressing up at the angle the filters are placed in, then rotate the bottom of the filter down. Gloves should be worn to provide proper grip when installing filters.
- Slide the grease cups out from the bottom edges of the back of the hood.
- Using a Phillips screwdriver, remove the screws retaining the internal frame (shaded area of the illustration below) to the hood. **Be careful not to remove the two other screws** (refer to the illustration below). **Do not discard the screws.** They will be reinstalled after installation of the hood is complete.
- Remove the internal frame from the hood and set aside.
- The hood assembly is shipped with the transition attached. The transition is shipped upside down in the top of the hood and must be removed and reinstalled in the proper position.
- Separate the transition from the hood assembly by removing the four shipping screws. Invert and reattach the transition to the hood with the shipping screws.

**IMPORTANT NOTE:** If internal blower Model CTBLOWER-60INT or CTBLOWER-90INT will be used with the 36" (914) or 42" (1067) wide hood, do not reinstall the transition yet.

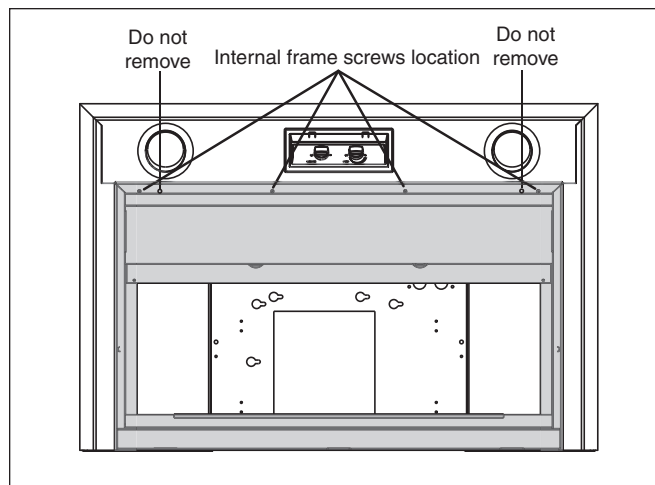
- If you are installing a remote blower, punch out the knockout hole located on the top of the hood. Install a wire clamp (included with the hood) for remote blower cable. Refer to the remote blower information on page 16 and follow installation instructions provided with the blower assembly.
- Install one wire clamp (included with the hood) in the hole on top of the hood for the power cable.

**⚠ WARNING**

**Do not run wiring for the remote blower through the ductwork.**



**Remove filters**



**Remove internal frame**

Dimensions in parentheses are in millimeters unless otherwise specified.

## DUCT COVER INSTALLATION

**⚠ CAUTION**

**Installing a duct cover assembly will impact all aspects of the hood installation including hood location, ducting, electrical placement and the mounting surface.**

Duct covers 6" (152), 12" (305), 18" (457) and 24" (610) high in widths to match all wall chimney hoods are available through your Wolf dealer. To obtain local dealer information, visit the Locator section of our website, [wolfappliance.com](http://wolfappliance.com).

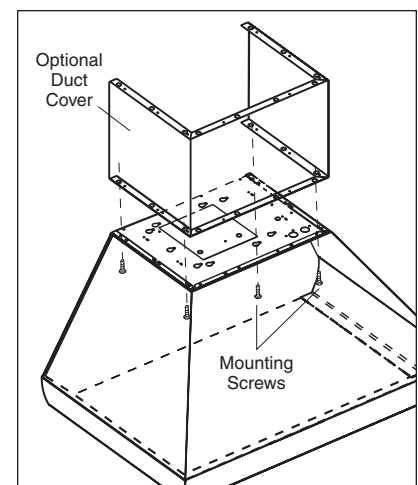
## ACCESSORIES

Optional accessories are available through your Wolf dealer. To obtain local dealer information, visit the Locator section of our website, [wolfappliance.com](http://wolfappliance.com).

**IMPORTANT NOTE:** If internal blower Model CTBLOWER-60INT or CTBLOWER-90INT will be used with the 36" (914) or 42" (1067) wide hood, do not install the duct cover yet. The internal blower must be installed before installing the duct cover.

**IMPORTANT NOTE:** If an optional duct cover is to be used with the Pro wall chimney hood, follow these instructions before installing the hood:

- Attach the duct cover from the inside of the hood through the filter opening using the screws provided with the duct cover.
- Leave the screws partially loose until all screws are installed. Check the alignment of the duct cover with the hood and tighten the four corner screws to secure the duct cover. Tighten all remaining screws.



**Duct cover installation**



**HOOD** INSTALLATION

**IMPORTANT NOTE:** If an optional duct cover is to be used with the Pro wall chimney hood, it must be installed before installing the hood—except for the 36" (914) and 42" (1067) wide hoods with an internal blower. Refer to Duct Cover Installation on page 10.

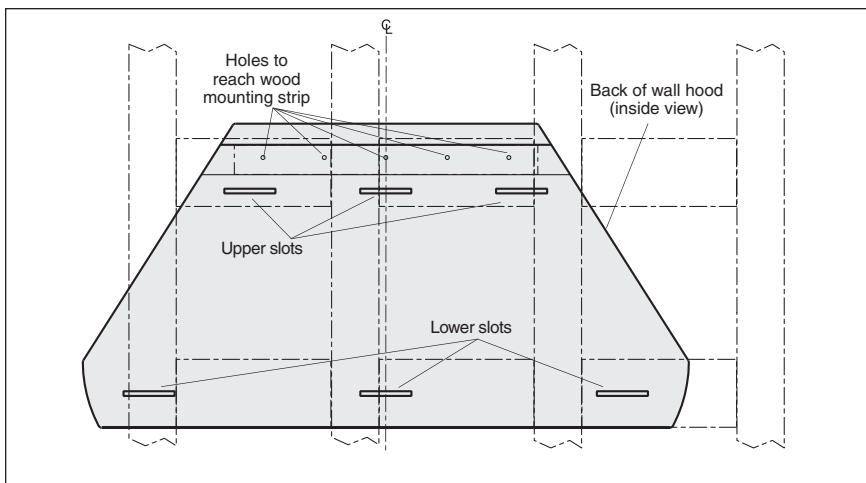
**⚠ CAUTION**  
 Due to the weight of the hood, be sure to have adequate manpower for installation.

The filters and internal frame must be removed from the hood prior to installation. Refer to Hood Preparation on page 9.

- Rest the top back cavity of the hood on the wood mounting strip.

**⚠ CAUTION**  
 Hold the hood until it is completely secured to the wood mounting strip.

- Using two #8 x 2" (51) screws provided—four for 48" (1219) and 54" (1372) wide hoods, secure the hood to the wood mounting strip at the location shown in the illustration below.
- Using two #8 x 2" (51) screws and washers provided, secure the top back of the hood to the wall studs and/or blockings by the upper slots. Then use three #8 x 2" (51) screws and washers in the lower slots to complete the installation of the hood to the wall. Refer to the illustration below.
- Connect the 10" (254) round ductwork to the transition using sheet metal screws and duct sealing tape.
- If you are installing an internal blower, do not reinstall the internal frame and filters until the blower installation is complete. Refer to Internal Blowers on page 15 and follow installation instructions provided with the blower.
- Make electrical connections. Refer to Install Wiring on pages 12–13.



**Hood installation**

Dimensions in parentheses are in millimeters unless otherwise specified.



IMPORTANT NOTE

You must follow all National Electrical Code regulations. In addition, be aware of local codes and ordinances when installing your service.

INSTALL **WIRING**

**⚠ WARNING**  
**Risk of electrical shock. This ventilation hood must be properly grounded. This unit should be installed by a qualified electrician in accordance with all applicable national and local electrical codes and standards.**

**⚠ WARNING**  
**When making electrical connections, make sure the electrical power is turned off at the power source or circuit breaker before proceeding.**

**⚠ WARNING**  
**Before servicing or cleaning unit, switch power off at service panel and lock the service disconnecting means to prevent power from being switched on accidentally. When the service disconnecting means cannot be locked, securely fasten a prominent warning device, such as a tag, to the service panel.**

**⚠ CAUTION**  
**Do not remove the control knob bezel to access hood wiring; this will damage the bezel assembly.**

**INTERNAL BLOWER WIRING**

- Remove the hood electrical box cover. Run power cable to the installation location. Insert the power cable into the electrical box by running it through the wire clamp previously installed. Tighten the wire clamp to secure the cable. Refer to the illustration below for the location of the electrical box.

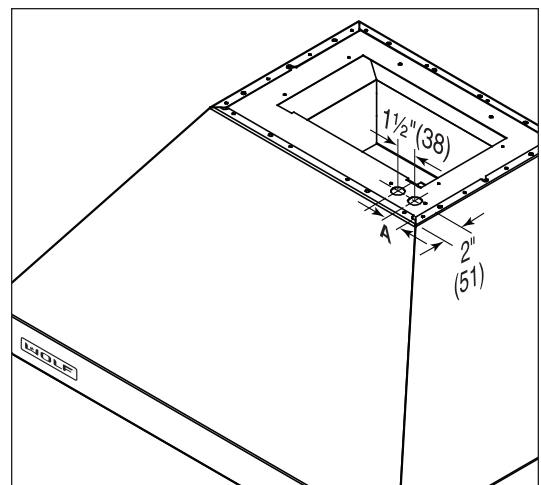
**⚠ WARNING**  
**Risk of electrical shock. Do not remove the wire connector on the ORANGE wire from the hood.**

- Using the supplied wire connectors, connect wires as follows: BLACK wire from hood to power supply BLACK wire, WHITE wire from hood to power supply WHITE wire and GREEN or BARE wire from power supply to GREEN ground screw in the electrical box.
- Place all wiring connections inside the electrical box and reinstall the cover. Make sure that the wires are secure and that no wires are pinched between the cover and box.

**Location of Knockout for Wiring**

Model	Hood Width	(A)
PWC362418(R)	36" (914)	2" (51)
PWC422418(R)	42" (1067)	3" (76)
PWC482418(R)	48" (1219)	4" (102)
PWC542418(R)	54" (1372)	4" (102)

Letter (A) corresponds to the illustration.



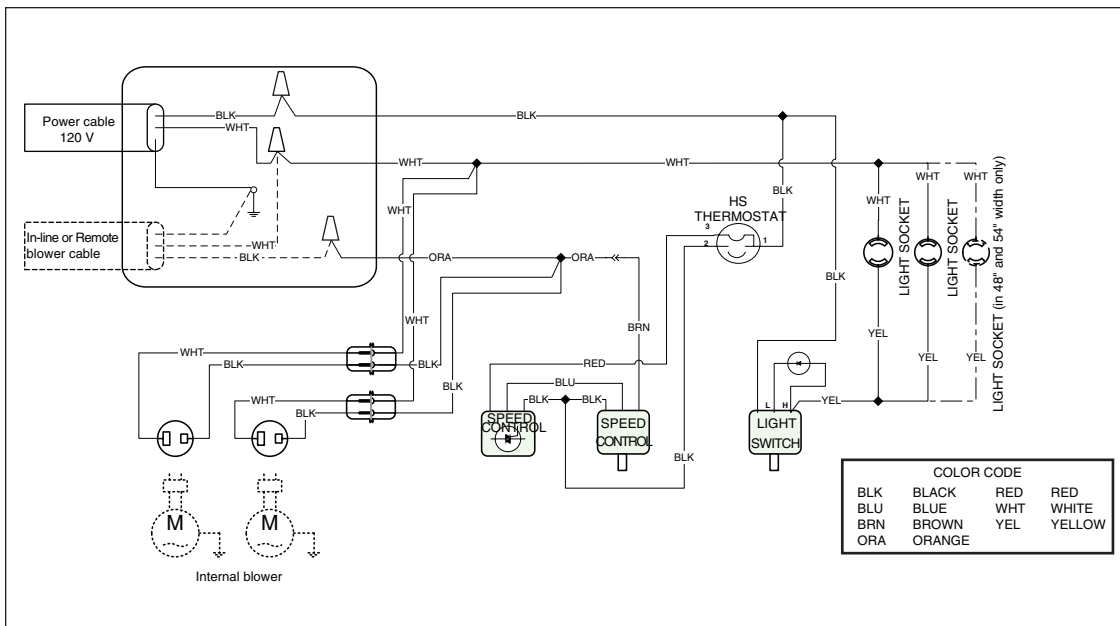
**Location of wiring**



INSTALL **WIRING**

**IN-LINE OR REMOTE BLOWER WIRING**

- Remove the hood electrical box cover. Run power cable to the installation location. Insert the power cable into the electrical box by running it through the wire clamp previously installed. Tighten the wire clamp to secure the cable.
- Run the blower cable to the installation location. Insert the blower cable into the electrical box by running it through the other wire clamp previously installed. Tighten the wire clamp to secure the cable.
- Cut off the butt crimp connector from the end of ORANGE wire in hood. Strip ORANGE wire about 3/8" (10). Using an appropriate wire connector (not included), connect BLACK wire from blower to ORANGE wire from hood. Using the supplied wire connectors, connect other wires as follows: BLACK wire from hood to power supply BLACK wire, all WHITE wires together and GREEN or BARE wires from power supply and blower to GREEN ground screws in the electrical box. Refer to the wiring diagram below.
- Place all wiring connections inside the electrical box and reinstall the cover. Make sure that the wires are secure and that no wires are pinched between the cover and box.



**Wiring diagram**

Dimensions in parentheses are in millimeters unless otherwise specified.

**FILTER** INSTALLATION

Follow these instructions to install filters and grease cups for Wolf Pro wall chimney hoods:

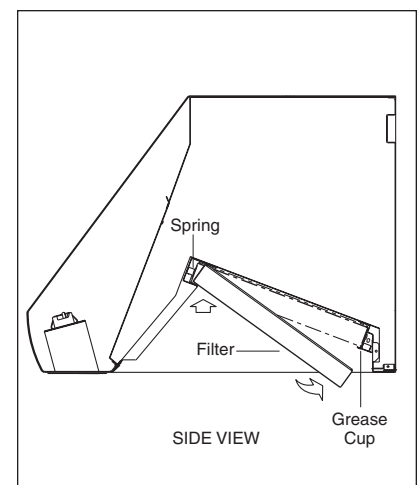
- Reinstall the internal frame. Refer to Hood Preparation on page 9.
- Remove all packaging material from the filters and grease cups.
- Slide the grease cups along the bottom edge of the hood so that the lip of the grease cup overhangs slightly.
- Install the filters. Orient each filter with lines running vertically. Position the top edge of the filter as shown in the illustration below. While pressing up against the spring, rotate the bottom edge of the filter into position next to the grease cup. Gloves should be worn to provide proper grip when installing filters.

**WOLF** NAMEPLATE

The Wolf logo nameplate does not come installed on the hood since there are various locations that the nameplate can be attached. Also, some customers prefer not to have a nameplate on their hood.

A template for positioning the Wolf logo nameplate in a standard location is included on page 19. Follow these steps to install the nameplate:

- Decide on the location for the nameplate.
- Clean the mounting area with rubbing alcohol.
- If desired, cut out the template from page 19. Fold the template, locate placement on hood and tape to the hood surface. Check alignment and adjust if necessary.
- Remove backing paper from the nameplate.
- Position the nameplate in the template cut-out and press into place.
- Remove the template and any tape residue.



**Filter and grease cup installation**



INTERNAL BLOWERS

**IMPORTANT NOTE:** Refer to the specific installation instructions provided with each internal blower for additional mounting and wiring instructions.

- Reattach the transition to the hood with the shipping screws. If you are installing a duct cover with the hood, refer to instructions on page 10.

CTBLOWER-60INT / CTBLOWER-90INT

- Remove filters and internal frame from the hood. Refer to Hood Preparation on page 9.
- Fasten the four hex nuts (included with the blower) to the four blower studs leaving a 1/4" (6) gap.
- Lift the blower into position inside the hood.
- Engage all the blower studs in the keyholes on top of the hood. From the top of the hood, secure the blower to the hood by tightening completely the four hex nuts on the threaded studs. Refer to the illustration below.
- Plug the blower power cord(s) into receptacle(s) near the center of the hood shell. Use the clips on the interior of the hood to keep excess power cord away from moving parts.
- Once installation of the blower is complete, replace the internal frame and filters.

**IMPORTANT NOTE:** Before turning the power on to the ventilation hood, make sure the blower is off.

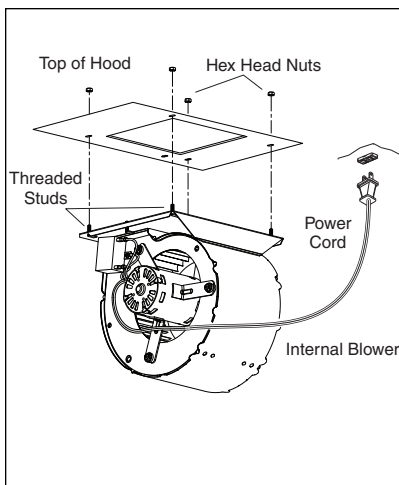
IBLOWER-120INT

- Remove filters and internal frame from the hood. Refer to Hood Preparation on page 9.
- Discard the hex nut (included with the blower).
- Lift the blower into position inside the hood.
- Engage the two tabs on the blower into the two slots on top of the hood. Secure the blower to the threaded studs with the two hex nuts (included with the hood). Refer to the illustration below.
- Plug the blower power cords into receptacles near the center of the hood shell. Use the clips on the interior of the hood to keep excess power cord away from moving parts.
- Once installation of the blower is complete, replace the internal frame and filters.

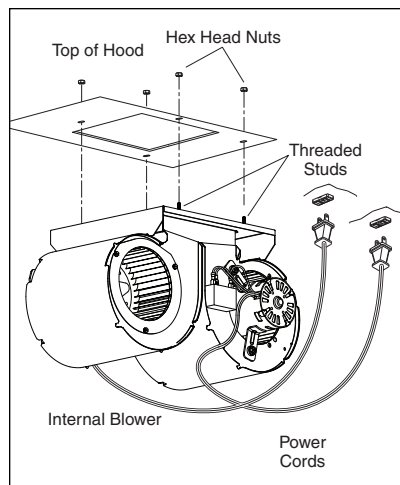
**IMPORTANT NOTE:** Before turning the power on to the ventilation hood, make sure the blower is off.

ACCESSORIES

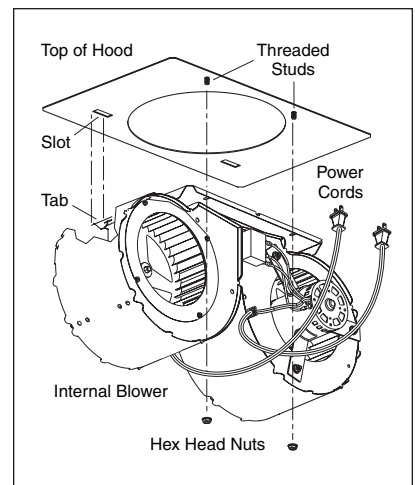
**Optional accessories are available through your Wolf dealer. To obtain local dealer information, visit the Locator section of our website, [wolfappliance.com](http://wolfappliance.com).**



CTBLOWER-60INT



CTBLOWER-90INT



IBLOWER-120INT

Dimensions in parentheses are in millimeters unless otherwise specified.



**IN-LINE AND REMOTE BLOWERS**

**BLOWER INSTALLATION**

**IMPORTANT NOTE:** Refer to the specific installation instructions provided with each blower for additional mounting instructions.

Locate the blower so that the length of the duct run and number of elbows and transitions are kept to a minimum. Wolf recommends the maximum linear duct run be no greater than 50' (15 m).

If possible, remote blowers should be located between wall studs or roof rafters. Avoid pipes, wires or other ductwork that may be running through the wall.

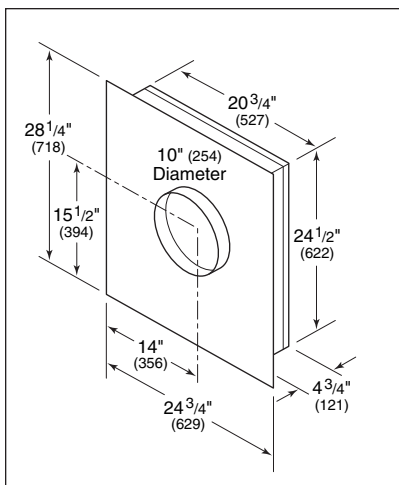
Be sure that there is enough space for any transitions that may be needed between the blower and the connecting ductwork. For best performance, locate transitions nearest the blower.

Refer to the illustrations below and on the following page for overall dimensions of Wolf in-line and remote blowers. Also refer to the specific installation instructions provided with each remote blower to verify cut-out dimensions.

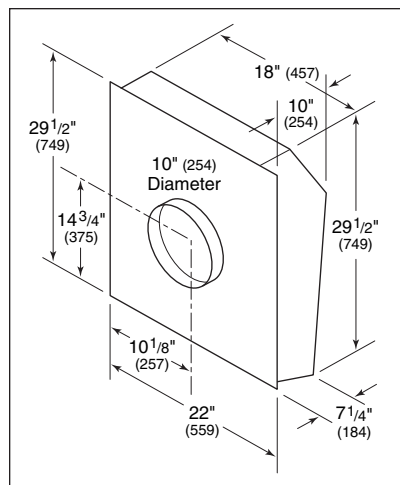
**IMPORTANT NOTE:** Before turning the power on to the ventilation hood, make sure the blower is off.

**⚠ WARNING**

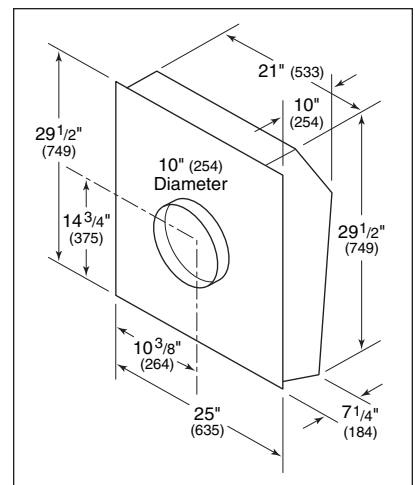
**When making electrical connections, make sure the electrical power is turned off at the power source or circuit breaker before proceeding.**



**Dimensions for BLOWER-90REM**



**Dimensions for BLOWER-120REM**



**Dimensions for BLOWER-150REM**





**BLOWER ASSEMBLIES**

Wolf Pro wall chimney ventilation hoods are shipped without the blower assembly. Wolf internal, in-line and remote blower assemblies are available as sales accessories through your Wolf dealer.

**IMPORTANT NOTE:** Blower options vary with the cooking surface. Use only a Wolf blower with the Pro wall chimney hood.

Refer to the Wolf Design Guide for Pro ventilation recommendations. You can also visit our website at [wolfappliance.com](http://wolfappliance.com).

**INTERNAL BLOWERS**

- **CTBLOWER-60INT (801644)** – 600 CFM internal blower for wall chimney hoods; 36" (914) and 42" (1067) wide models.
- **CTBLOWER-90INT (801645)** – 900 CFM internal blower for wall chimney hoods; 36" (914) and 42" (1067) wide models.
- **IBLOWER-120INT (804703)** – 1200 CFM internal blower for wall chimney hoods; 48" (1219) and 54" (1372) wide models.

**IN-LINE BLOWER**

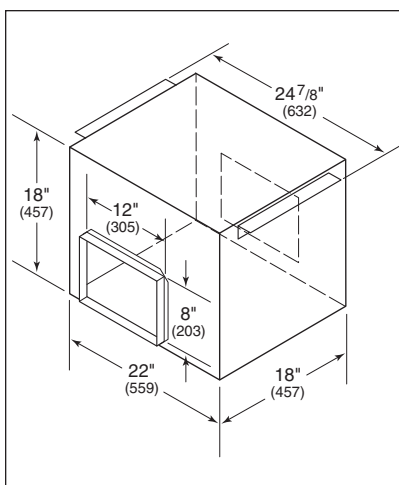
- **BLOWER-110IL (808332)** – 1100 CFM in-line blower for all wall chimney hoods.

**REMOTE BLOWERS**

- **BLOWER-90REM (801641)** – 900 CFM remote blower for all wall chimney hoods.
- **BLOWER-120REM (801642)** – 1200 CFM remote blower for all wall chimney hoods.
- **BLOWER-150REM (804701)** – 1500 CFM remote blower for all wall chimney hoods.

**ACCESSORIES**

**Optional accessories are available through your Wolf dealer. To obtain local dealer information, visit the Locator section of our website, [wolfappliance.com](http://wolfappliance.com).**



**Dimensions for BLOWER-110IL**

Dimensions in parentheses are in millimeters unless otherwise specified.

CONTACT  
INFORMATION

**Wolf Customer  
Service:**  
**800-332-9513**

**Website:**  
**wolfappliance.com**

**TROUBLESHOOTING**

**IMPORTANT NOTE:** If the Pro wall chimney ventilation hood does not operate properly, follow these troubleshooting steps:

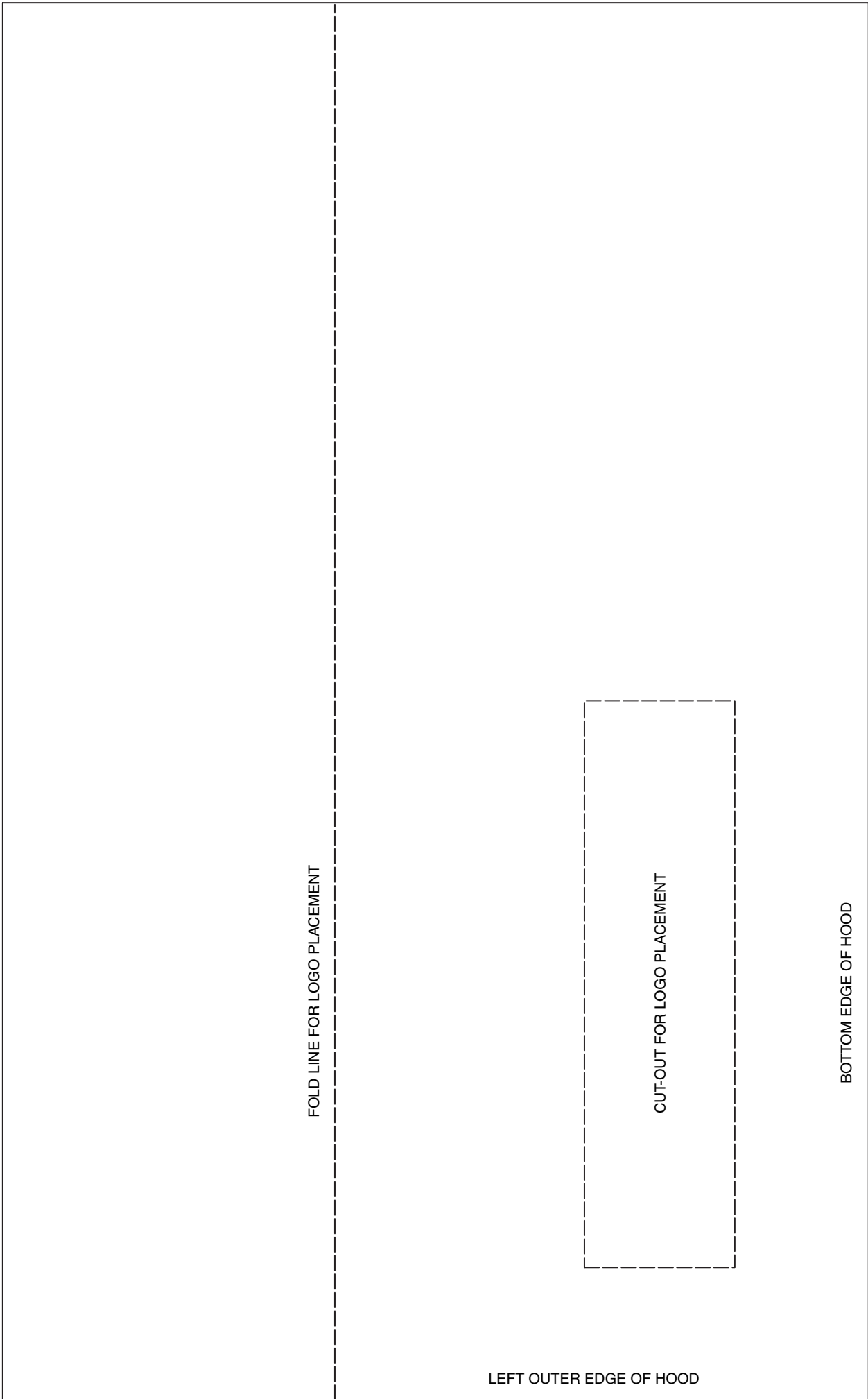
- Verify that power is being supplied to the ventilation hood.
- Check electrical connections to ensure that the installation has been completed correctly.
- Refer to the Troubleshooting Guide in the Wolf Pro Ventilation Hoods Use & Care Information.
- If the ventilation hood still does not work, contact a Wolf authorized service center. Do not attempt to repair the ventilation hood yourself. Wolf is not responsible for service required to correct a faulty installation.

**IF YOU NEED SERVICE**

- Maintain the quality built into your Pro wall chimney ventilation hood by calling a Wolf authorized service center.
- For the name and number of the Wolf authorized service center nearest you, check the Locator section of our website, **wolfappliance.com**, or call Wolf Customer Service at **800-332-9513**.
- When calling for service, you will need the model and serial number of your ventilation hood. This information is found on the rating plate located on the back wall of the hood shell. Refer to the illustration on page 3.

**The information and images are the copyright property of Wolf Appliance Company, Inc., an affiliate of Sub-Zero Freezer Company, Inc. Neither this book nor any information or images contained herein may be copied or used in whole or in part without the express written permission of Wolf Appliance Company, Inc., an affiliate of Sub-Zero Freezer Company, Inc.**

**©Wolf Appliance Company, Inc. all rights reserved.**



FOLD LINE FOR LOGO PLACEMENT

CUT-OUT FOR LOGO PLACEMENT

BOTTOM EDGE OF HOOD

LEFT OUTER EDGE OF HOOD



WOLF APPLIANCE COMPANY, INC. P. O. BOX 44848 MADISON, WI 53744 800-332-9513 WOLFAPPLIANCE.COM

 WOLF®