

# USE & CARE GUIDE

For Built-in Refrigerators

## GUIDE

## D'UTILISATION

## ET D'ENTRETIEN

Pour réfrigérateurs encastrés

## MANUAL DE USO

## Y CUIDADO

Para los refrigeradores empotrados

Model / Modèle /Modelo

**Bottom Freezer**

**Congélateur inférieur**

**Congelador independiente**

For questions about features, operation/performance, parts, accessories or service, call: **1-800-735-4328**

In Canada, call for assistance **1-800-735-4328**, for installation and service, call: **1-800-735-4328** or visit our website at... [www.thermador.com](http://www.thermador.com)

Para consultas respecto a características, operación/ desempeño, partes, accesorios o servicio, llame al: **1-800-735-4328**

En Canadá, para obtener asistencia llame al **1-800-735-4328**, para instalación y servicio llame al: **1-800-735-4328** o visite nuestra página de Internet... [www.thermador.com](http://www.thermador.com)

Au Canada, pour assistance, composez le **1-800-735-4328**, pour installation ou service le **1-800-735-4328** ou visitez notre site web à... [www.thermador.com](http://www.thermador.com)



9000189698

***Thermador***<sup>®</sup>



---

# Contents

IMPORTANT SAFETY INSTRUCTIONS .....	4
Congratulations .....	5
Your new appliance .....	6
Installation .....	8
Connection to the power supply .....	8
Connecting the water .....	9
Switching on the appliance .....	9
Switching off and disconnecting the appliance .....	9
Functions .....	10
Variable interior design .....	10
Control panel .....	12
Setting the temperature .....	13
Super function .....	13
Setup mode .....	14
Settings which can be changed in setup mode .....	15
Vacation Mode .....	16
Sabbath Mode .....	16
Refrigerating .....	16
Freezing and storing .....	17
IceMaker .....	18
Operating noises .....	18
How to save energy .....	19
Defrosting .....	19
Cleaning the appliance .....	19
Odors .....	19
Warning messages via the display .....	20
Appliance self-test .....	20
Resetting factory settings .....	21
Water filter .....	21
Troubleshooting .....	24
Changing the bulb .....	26
Changing the odor filter .....	27
Service .....	27
Warranty .....	28
Français .....	29
Español .....	49

# IMPORTANT SAFETY INSTRUCTIONS

## READ AND SAVE THESE INSTRUCTIONS!

### **WARNING**

When using this appliance, always exercise basic safety precautions, including the following:

1. Use this appliance only for its intended purpose as described in this Owner's Manual.
2. This refrigerator must be properly installed in accordance with the Installation Instructions before it is used.
3. Do not allow children to climb, stand or hang on the shelves in the refrigerator. They could seriously injure themselves and damage the refrigerator.
4. After your refrigerator is in operation, do not touch the cold surfaces in the refrigerator compartment, particularly when hands are damp or wet. Skin may adhere to these extremely cold surfaces.
5. Do not store or use gasoline or other flammable vapors and liquids in the vicinity of this or any other appliance.
6. In refrigerators with an automatic icemaker, avoid contact with the moving parts of the ejector mechanism, or with the heating element located on the bottom of the icemaker. Do not place fingers or hands on the automatic icemaking mechanism while the refrigerator is plugged in.
7. Do not refreeze frozen foods which have thawed completely.

8. Use the motorized shelf carefully. Do not squeeze hands between motorized shelf and the evap cover.
9. Unplug your refrigerator before cleaning and making repairs.  
**NOTE:** We strongly recommend that any servicing be performed by a qualified individual.
10. Before replacing a burned-out light bulb, set the POWER switch in the OFF position to turn off the lights in order to avoid contact with a live wire filament.
11. A burned-out light bulb may break when being replaced.  
**NOTE:** Setting the refrigerator temperature controls to **OFF** does not remove power to the light circuit.

### **WARNING**

#### **RISK OF CHILD ENTRAPMENT**

Child entrapment and suffocation are not problems of the past. Junked or abandoned refrigeration products are still dangerous... even if they will sit for "just a few days." If you are getting rid of your old appliance, please follow these instructions to help prevent accidents.

Before You Throw Away Your Old Refrigeration Product:

- Take off the doors.
- Leave the shelves in place so that children may not easily climb inside.

### **Electrical Connection**

The appliance comes with an UL listed, 3-wire power supply cord.

The appliance requires a 3-wire receptacle.

The receptacle must be installed by a licensed electrician only.

### **Grounding instruction**

This appliance must be grounded. In the event of a malfunction or breakdown, grounding will reduce the risk of electric shock by providing a path of least resistance for the electric current.

Improper connection of the equipment grounding conductor may result in electric shock. Have the appliance checked by a qualified electrician or service technician if you are in doubt as to whether the appliance has been properly grounded.

Some local regulations may require a separate ground. In such cases, the required accessory ground wire, clamp and screw must be purchased separately.

Never ground the appliance to plastic plumbing lines, gas lines or water pipes.

## CFC DISPOSAL

Your old refrigerator may have a cooling system that used CFC's (chlorofluorocarbons). CFC's are believed to harm stratospheric ozone.

If you are throwing away an old refrigeration product, make sure the CFC refrigerant is removed for proper disposal by a qualified servicer. If you intentionally release this CFC refrigerant, you can be subject to fines and imprisonment under provisions of environmental legislation.

## IMPORTANT

Save these instructions for local inspector's use. Observe all governing codes and ordinances.

**Note to Installer** – Be sure to leave these instructions with the Consumer.

**Note to Consumer** – Keep these instructions with your Owner's Manual for future reference.


## Definitions

### **WARNING**

**DANGER** – This indicates that death or serious injuries may occur as a result of not observing this warning.

### **CAUTION**

**CAUTION** – This indicates that minor or moderate injuries may occur as a result of not observing this warning.

 This symbol is used to draw the user's attention to something in particular.

---

## Congratulations

With the purchase of your new bottom freezer you have opted for a modern, high-quality domestic appliance.

Your bottom freezer is distinguished by its economical energy consumption.

Each appliance which leaves our factory is inspected thoroughly to ensure that it functions properly and is in perfect condition.

If you have any questions – particularly concerning installation and connection of the appliance – please do not hesitate to contact our customer service, see section "Service".

Further information and a selection of our products can be found on our home page.

Please read these operating instructions as well as the installation instructions and all information enclosed with the appliance and follow accordingly.

Retain all documents for subsequent use or for the next owner.

## General information

The refrigerator compartment of this appliance is suitable for refrigerating food.

The freezer compartment of this appliance is suitable for:

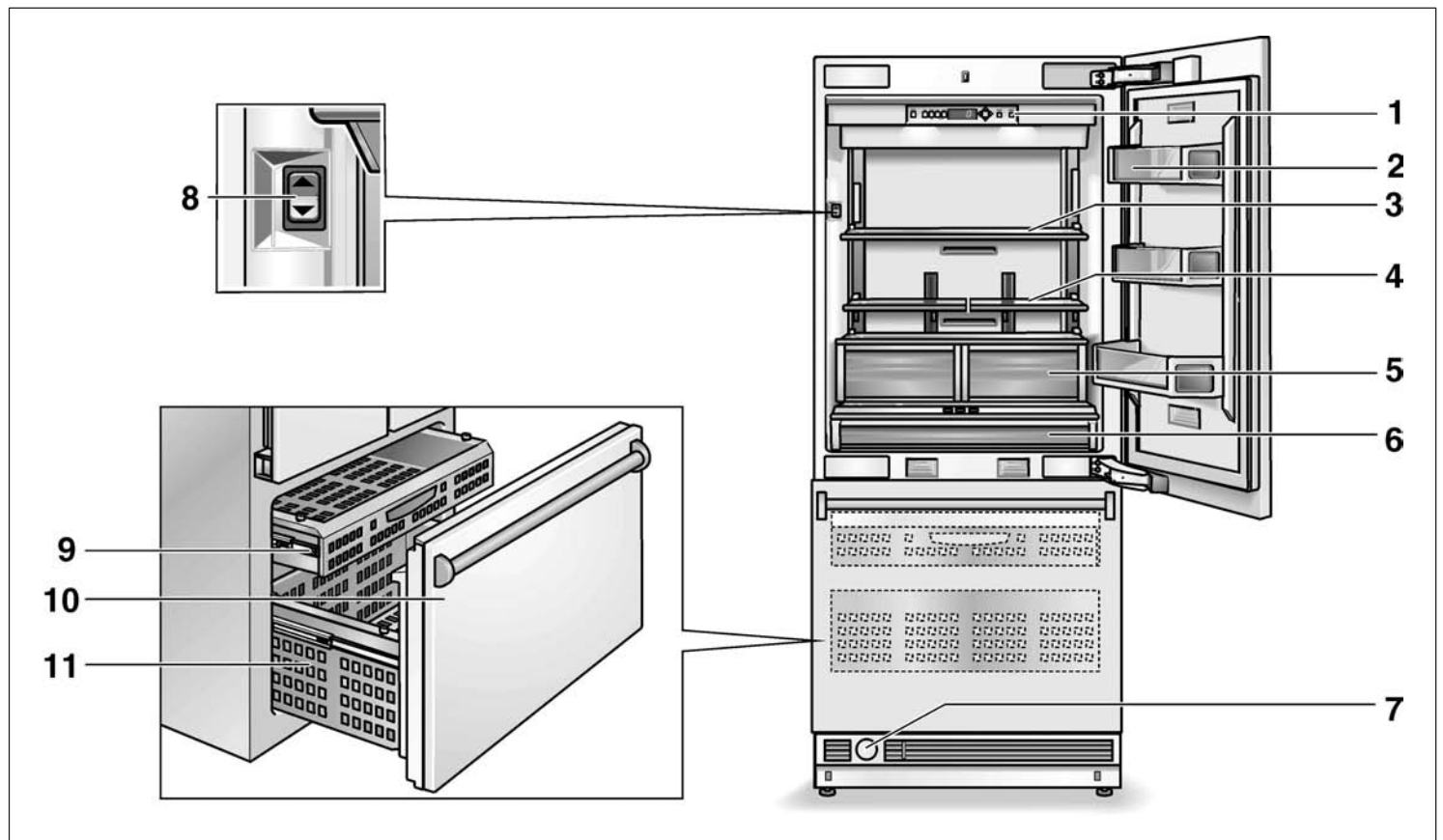
- storing frozen food,
- freezing food,
- making ice.

This appliance is designed for domestic use only.

# Your new appliance

## 2-door model

These operating instructions refer to several models. Diagrams may vary.



### Refrigerator compartment

- 1 Control panel
- 2 Butter and cheese compartment for storage of various, condiments, bottles and jars
- 3 Liberty Shelf™ (motorized shelf)
- 4 Button for motorized shelf
- 5 Door storage bins

- 6 Glass shelves in refrigerator for storing cooked food, dairy products, meat products
- 7 Gallon door bin
- 8 Vegetable container
- 9 Container for storing deli, snacks

### Freezer compartment

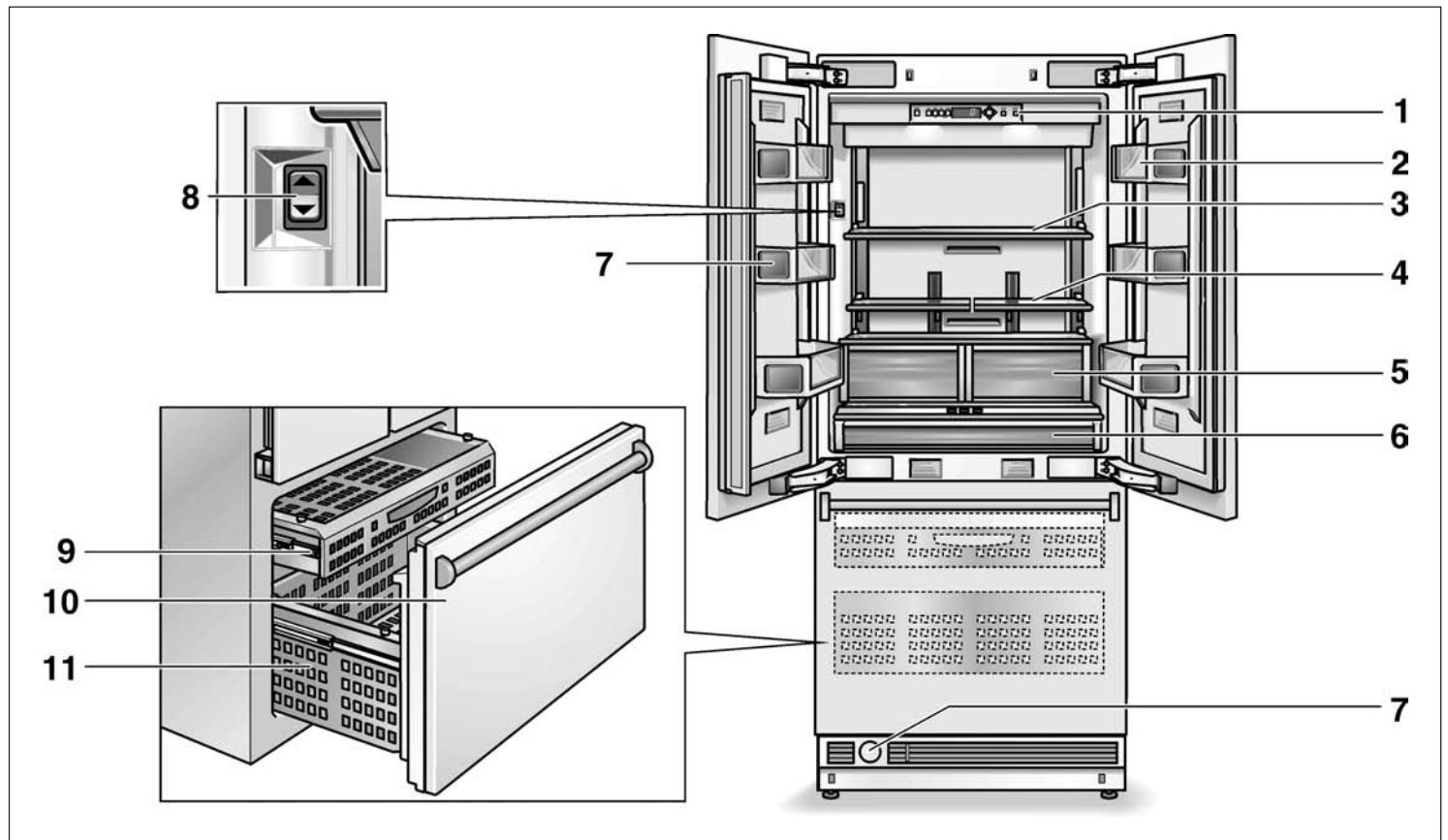
- 10 Ice Maker \*
- 11 Ice cube container Capacity max. 5.5 lbs / 2.5 kg
- 12 Internal freezer drawer
- 13 Freezer door drawer
- 14 Water filter

\* not visible

# Your new appliance

## 3-door model (French door)

These operating instructions refer to several models. Diagrams may vary.



### Refrigerator compartment

- 1 Control panel
- 2 Butter and cheese compartment for storage of various, condiments, bottles and jars
- 3 Liberty Shelf™ (motorized shelf)
- 4 Button for motorized shelf

- 5 Glass shelves in refrigerator for storing cooked food, dairy products, meat products
- 6 Gallon door bin
- 7 Vegetable container
- 8 Container for storing deli, snacks
- 9 Door storage bins

### Freezer compartment

- 10 Ice Maker \*
- 11 Ice cube container  
Capacity max. 11 lbs / 5 kg
- 12 Internal freezer drawer
- 13 Freezer door drawer
- 14 Water filter

\* not visible

# Installation

## **WARNING**

Do not install the appliance:

- outdoors,
- in an environment with dripping water,
- in rooms which are at risk of frost.

The appliance is very heavy – for empty weight see the following table:

Bottom Freezer (2-door, 3-door)  
approx. 430 lbs / 195 kg

## Installation room

The appliance should be installed in a dry, well ventilated room.

The ambient temperature should not drop below 55 °F (13 °C) or rise above 110 °F (43 °C), otherwise malfunctions may occur.

The installation location should not be exposed to direct sunlight and not placed near a heat source, such as an oven, radiator, etc. If installation next to a heat source is unavoidable, use a suitable insulating plate or observe the following minimum distances from the heat source:

- 1.2" (3 cm) from an electric cooker,
- 12" (30 cm) from an oil or solid-fuel cooker.

## Installation cavity

It is important to observe the specified dimensions of the installation cavity for a trouble-free installation of the appliance and for the subsequent general view of the furniture front.

In particular ensure that the cavity is square. Squareness can be checked by suitable means, e.g. spirit level, diagonal measurements, etc.

## Furniture/fixtures

The new appliance will be mounted securely to adjacent and overhead furniture/fixtures.

For this reason it is essential that all attachable furniture/fixtures are connected securely to the base or the wall by suitable means.

## Base

To ensure that the appliance is installed securely and functions properly, the base must be flat and level.

The base must be made of a hard, rigid material.

The installation area must be the same height as the rest of the room.

On account of the heavy weight of a fully loaded appliance, a load-bearing base is required.

The fully-loaded weight for this appliance is approx. 1110 lbs / 500 kg.

If in doubt, contact an architect or a building expert.

## Installing and connecting the appliance

### **CAUTION**

Have the appliance installed by an electrician according to the enclosed installation instructions.

After installing the appliance, wait at least before switching on the appliance. During transit the oil in the refrigeration system may have moved.

Before switching on the appliance for the first time, clean the inside of the appliance.

# Connection to the power supply

## **WARNING**

### **Avoid Electrical Shock Hazard**

- Plug into a grounded 3 prong outlet.
- Do not remove ground prong.
- Do not use an adapter.
- Do not use an extension cord.

Failure to follow these instructions can result in death, fire, or electrical shock.

Improper connection of the equipment grounding conductor may result in electric shock. Have the appliance checked by a qualified electrician or service technician if you are in doubt as to whether the appliance has been properly grounded.

The appliance comes with an UL listed, 3-wire power supply cord.

The appliance requires a 3-wire receptacle.

The receptacle must be installed by a licensed electrician only.



---

## Connecting the water

A cold water connection is required for operation of the automatic ice maker. The water pressure must be between 25 and 120 p.s.i. (1.72–8.25 bar).

The installation must comply with local plumbing regulations and local and state laws.

A separate shut-off valve must be installed for the appliance water connection.

The shut-off valve for the water connection must not be behind the appliance. It is recommended to place the shut-off valve directly next to the appliance (base unit) or in another easily accessible location.

---

## Switching on the appliance

- Press the POWER button.

When the appliance has been switched on, the appliance begins to cool down. When the doors are open, the interior lights come on.

- i** The preset temperatures (factory settings) are reached after some hours. Do not put any food in the appliance beforehand.

- i** Do not use the first ice cubes from the ice maker!  
Discard the ice production of the first 24 hours after switching on the icemaker.

To change the preset temperatures  
-> see "Setting the temperature".

---

## Switching off and disconnecting the appliance

### Switching off the appliance

- Press the POWER button.

- i** If switching off the appliance for a period longer than 2 weeks, remove the water filter. Before switching on the appliance again, install a new filter (see "Exchanging the filter").

### Disconnecting the appliance

If you do not use the appliance for a prolonged period:

- Shut off the water supply line.  
Shut off the water supply line several hours before switching off the appliance.
- Remove and discard the water filter. Secure the filter cap!
- Take all food out of the appliance.
- Pull out the mains plug or switch off the fuse.
- Empty the ice cube container.
- Clean the appliance interior (see "Cleaning the appliance").
- To prevent odors, leave the doors open.

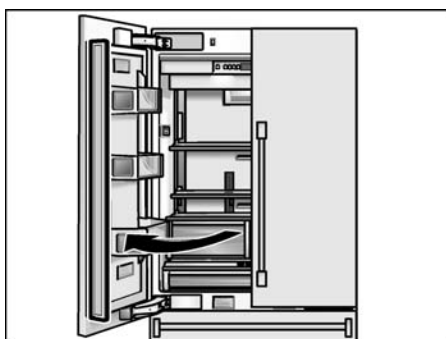
# Functions

## Door alarm

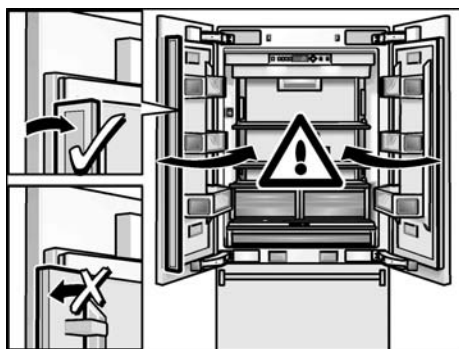
If one of the appliance doors is left open, an alarm signal sounds after one minute.

The alarm is switched off with the **Alarm off** button and by closing the door. If the door has still not been closed properly, the alarm sounds again after one minute.

## French door style



The 3-door variant allows for the left refrigerator compartment door to be opened without first having to open the right door.



**Care should be taken when closing the door. The appliance could become damaged!**

The folding rail attached to the door of the left refrigerator compartment has to be folded if the doors are closed.

A heater is integrated in the folding rail for avoiding condensation and has to be switched on as soon as damp forms on the rail.

## Activate and deactivate the door heater



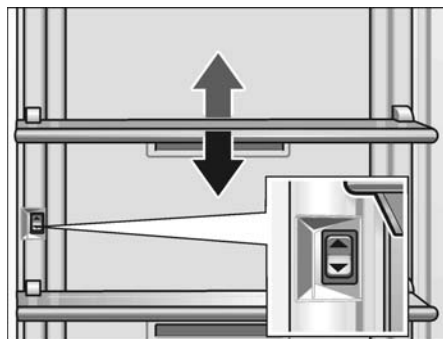
- ❑ Simultaneously hold down the SUPER COOL and ALARM OFF buttons for 3 seconds.



The display shows the momentary status.

## Liberty Shelf (motorized shelf) (Refrigerator compartment)

The appliance features a motorized height-adjustable shelf.



The height of this shelf can be adjusted when it is loaded.

- Toggle switch up: Shelf moves up
  - Toggle switch down: Shelf moves down
- i** Maximum load of the motorized shelf: 22.1 lbs/10 kg  
In case of overload the mechanism is blocked temporarily.

# Variable interior design

## Refrigerator compartment

You can re-arrange the shelves and the containers in the door inside the refrigerator compartment as required.

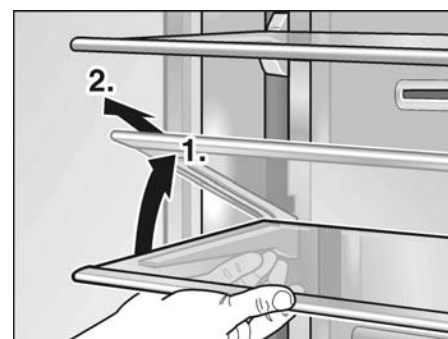
### Glass shelves

The height of the glass shelves can be adjusted.

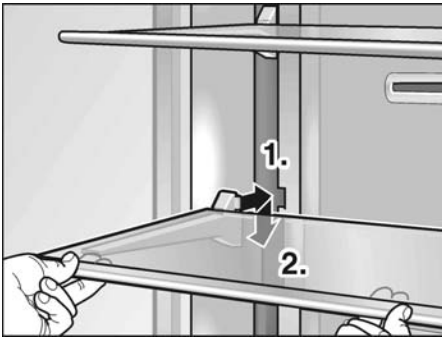


- ❑ Lift the shelf at the front and move it up or down in the guides.
- ❑ Lower the shelf to the required position and snap it into the preset openings in the guide.

To remove the shelves:



- ❑ Lift the shelf at the front, move it as far as the openings on the guide rail and remove.

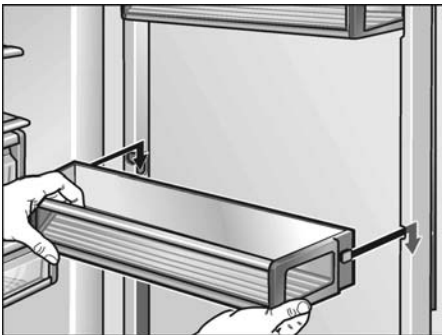


- ❑ Insert the shelf at the required height and press down.

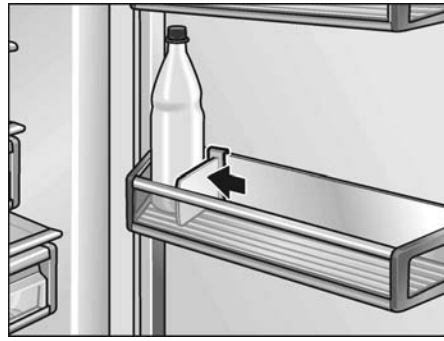
### Door storage compartment



- ❑ Lift the container and remove.

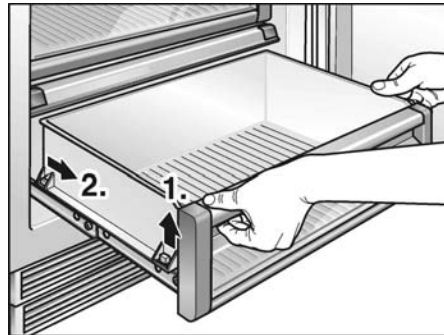


- ❑ Insert the container at the required height and press down.

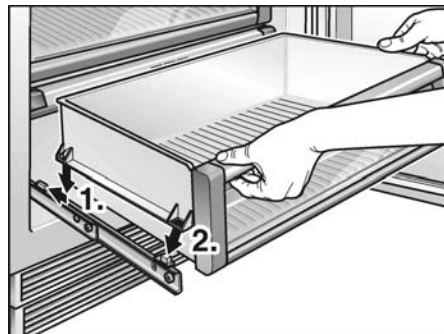


- ❑ Place the bottle holder at the required position in the gallon door bin.

### Drawers



- ❑ To remove the drawers, lift them slightly and remove.

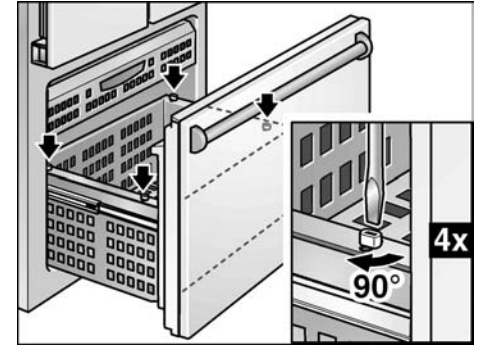


- ❑ To replace the drawers, lift them at the front slightly and reinsert in the pullout. Move the drawer upwards and slide it backwards.

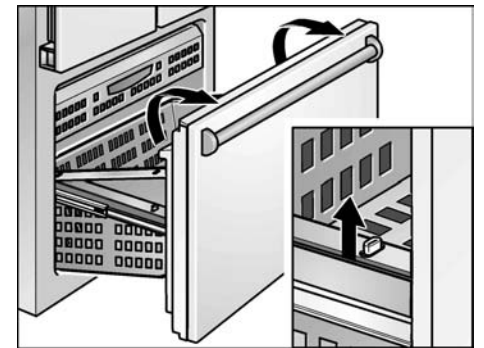
## Freezer compartment

The drawers in the freezer compartment can be taken out for cleaning.

- i** While taking out the big freezer drawer, the upper drawer has to be taken out first.



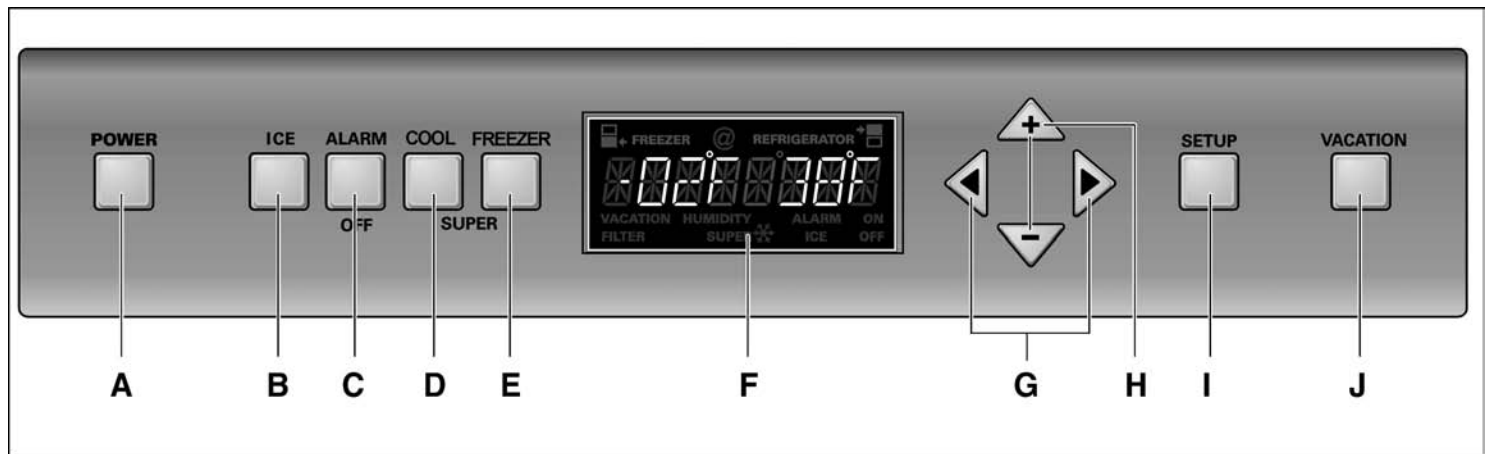
- ❑ Using a screwdriver, turn the locks on the pullouts by 90°.



- ❑ To remove the drawers, lift them slightly and remove.
- ❑ To replace the drawers, lift them at the front slightly and reinsert in the pullout. Move the drawer upwards and slide it backwards. Using a screwdriver, turn the locks on the pullouts by 90°.

# Control panel

To utilize all the functions of your appliance, we recommend that you familiarize yourself thoroughly with the control panel and the setting options.



## A POWER button

Switches the appliance on and off.

### ⚠ CAUTION!

The appliance is not isolated from the mains when switched off by the POWER button.

## B ICE button

Switches on/off the Ice Maker. See section on “Ice Maker”.

## C ALARM OFF button

Switches off the alarm. See section on “Appliance alarms”.

## D SUPER COOL button

Switches the SUPER function on and off for the refrigerator compartment. See section on “Super function”.

## E SUPER FREEZER button

Switches the SUPER function on and off for the freezer compartment. See section on “Super function”.

## F Display

The set required temperature of the appliance is indicated on the display. Activated special functions are indicated via symbols, e.g. SUPER function – **SUPER ❄**

In setup mode the menus as well as the setting options are indicated on the display. See section on “Setup mode”.

## G ◀ ▶ buttons

Select the menus in setup mode. See section on “Setup mode”.

The required temperature adjustment is activated with the ◀ ▶ buttons.

See section on “Setting the temperature”.

## H + – buttons

Select the available parameters of the menu. See section on “Setup mode”.

The displayed temperature of the appliance is also changed with the + – buttons.

See section on “Setting the temperature”.

## I SETUP button

This button activates and also ends setup mode. When setup mode is ended with the **SETUP** button, the changed settings are saved.

## J VACATION button

Switches VACATION mode on and off. See section on “Vacation mode”.

**i** Each button depression is acknowledged by a signal if the ON setting is activated in setup mode, TONE menu.

### Symbols at Display

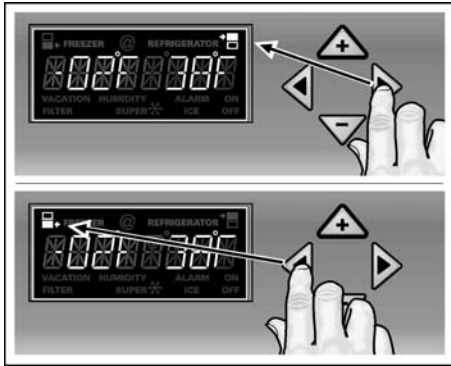
	Refrigerator compartment, see page 13.
	Freezer compartment, see page 13.
	The Super function is activated, see page 13.
	Setting options in setup mode, see page 15.
	The Vacation Mode is activated, see page 16.
	Ice Maker ON/OFF, see page 18.
	An Alarm is indicated, see page 20.
	Change water filter cartridge, see page 21.



# Setting the temperature

To adjust the required temperature:

- ❑ Activate the setup mode with the ◀ or ▶ buttons.



- ◀ for the freezer compartment.
- ▶ for the refrigerator compartment.
- ❑ Set the required temperature with the + (warmer) or - (colder) buttons.

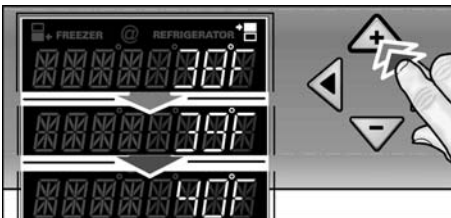
## Refrigerator

The temperature can be set from 35 °F to 46 °F (+2 °C to +8 °C). We recommend a setting of 39 °F (+4 °C).

The temperature can be changed with the + buttons (warmer) or - (colder). The temperature can be adjusted in 1 °F (0.5 °C) steps.

To adjust the required temperature:

- ❑ Activate the setup mode with the ▶ button. The symbol is displayed.



- ❑ Set the required temperature with the + (warmer) or - (colder) buttons.

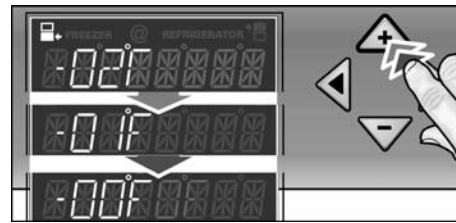
## Freezer

The temperature can be set from 7 °F to -9 °F (-14 °C to -23 °C). We recommend a setting of 0 °F (-18 °C).

The temperature can be changed with the + buttons (warmer) or - (colder). The temperature can be adjusted in 1 °F (0.5 °C) steps.

To adjust the required temperature:

- ❑ Activate the setup mode with the ◀ button. The symbol is displayed.



- ❑ Set the required temperature with the + (warmer) or - (colder) buttons.
- i** Depending on the model, the appliance can also be switched off via the temperature setting.

When the highest temperature has been reached, OFF is displayed.

# Super function

When the Super function is activated, the appliance is cooled as cold as possible to a preset temperature set at the factory.

- i** After approx. 50 hours the refrigerator automatically switches back to the temperature set before Super function.

The Super function is ended:

- by pressing the **SUPER** button again,
- by activating the Eco function,
- by activating the Vacation mode,
- by activating the Sabbath mode.

## SUPER cooling

The Super function is ideal for the rapid cooling of drinks and refrigerating large quantities of food.

The function is activated by pressing the **SUPER COOL** button.



The **SUPER** \* **REFRIGERATOR** symbol and the Super temperature are displayed.

## Super freezing

The Super function is used to freeze large quantities of fresh food and should be switched on some hours before the fresh food is placed in the freezer. In general, 4–6 hours is adequate. If the max. freezing capacity is used, 24 hours are required.

The function is activated by pressing the **SUPER FREEZER** button.



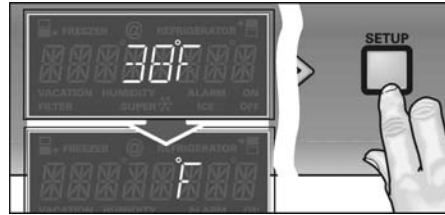
The **SUPER \* FREEZER** symbol and the Super temperature are displayed.

## Setup mode

There are several menus for adjusting the appliance functions to individual requirements. These adjustments can be made in **SETUP** mode.

To activate setup mode:

- Press the **SETUP** button.



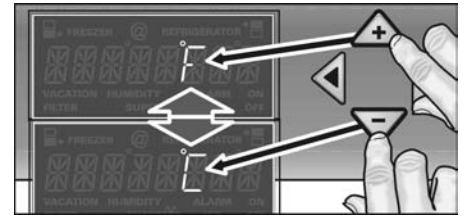
The first menu (temperature unit) is displayed.

To switch to the next menu:



- Press the ◀ or ▶ button.  
The next menu and the current setting (usually On/Off) are displayed.

To select between the different setting options within one menu:



- Press the **+** or **-** button.
- ⓘ A modified setting is saved when the next menu is selected with the ◀ or ▶ button.

To end setup mode:

- Press the **SETUP** button.  
All modified settings are saved.
- ⓘ If no button is pressed within 12 seconds, setup mode ends automatically. All modified settings are saved. The required temperature is displayed again.

# Settings which can be changed in setup mode

Menu	Setting options	Displayed text
Temperature unit	°F (degrees Fahrenheit) °C (degrees Celsius)	°F °C
Language	English French	ENGLISH FRANCAIS
Tone	On Off	TONE
Energy-saving mode (ECO function)	On Off	ECO MODE

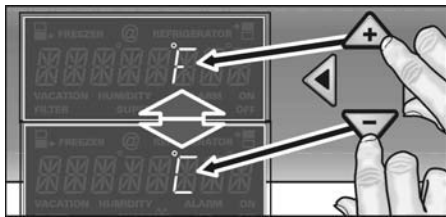
## Temperature unit

The temperature can be displayed in degrees Fahrenheit (°F) or degrees Celsius (°C).

- ❑ Press the SETUP button.



The first menu (temperature unit) is displayed.



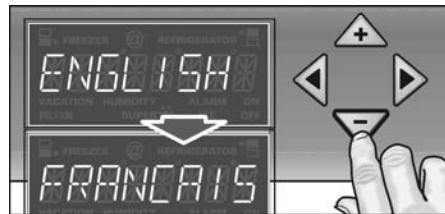
- ❑ Press the + or – button to switch between degrees Fahrenheit (°F) or degrees Celsius (°C).
- ❑ Press the SETUP button to save the setting.

## Language setting

When the appliance has been switched on, error messages and settings in SETUP mode are displayed in English.

Alternatively the information can be displayed in French.

- ❑ Switch on setup mode.
- ❑ Press the ► button until English is displayed.



- ❑ Press the + or – button to switch to FRANCAIS.
- ❑ Press the SETUP button to save the setting.

## Energy-saving mode

When the Economy function (Eco) is activated, the appliance switches to an energy-saving mode. This Economy functions set at the factory to be energetically more favorable. The background light of the display is reduced also.

The Economy function is activated in setup mode.



- ❑ Press the + or – button to change ON/OFF.
- ❑ Press the SETUP button to save the setting.

ECONOMY is displayed in the standard display.



The function is ended by:

- switching off the **Eco** function in setup mode
- activating the **Super** function
- changing the required temperature of the appliance
- switching off the appliance with the POWER button.

# Vacation Mode

If you are away for a prolonged period, you can switch the appliance to an energetically more favorable mode. When Vacation mode is active,

- the appliance switches to **Eco** function (see section on “Energy-saving mode”),
- the interior light switches off,
- the **Super** function ends (if switched on).

To switch on Vacation mode:

- Press the VACATION button.



The **VACATION** symbol is displayed. Instead of the required temperature, the presetting temperature is displayed.

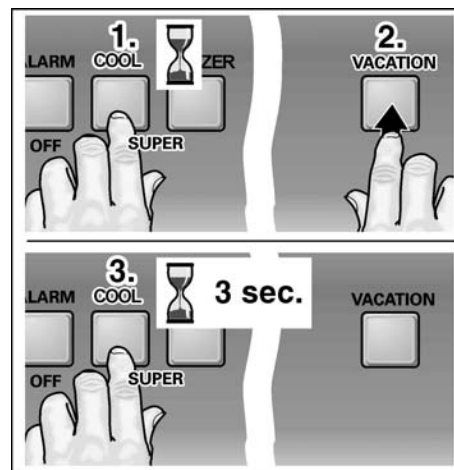
To end Vacation mode, press the VACATION button. The previous settings and temperature values are used again.

# Sabbath Mode

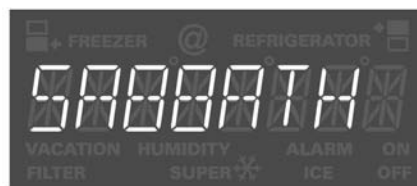
When Sabbath mode is active

- the **Super** function ends (if switched on),
- the acknowledge signal is deactivated when the button is pressed (if switched on),
- the interior light switches off,
- the background light of the display is reduced.

To switch on Sabbath mode:



- Press and hold down the SUPER COOL button.
- Press the VACATION button.
- Hold down the SUPER COOL button for a further 3 seconds. The **VACATION** symbol flashes on the display.



The background light on the display goes out. **SABBATH** is displayed.

To end Sabbath mode, press the VACATION button. The previous settings and temperature values are used again.

# Refrigerating

## Arrange food as follows:

- **On the shelves:**  
Cakes and pastries, ready meals, dairy products, meat and sausage
- **In the vegetable container:**  
Vegetables, lettuce, fruit
- **In the door**  
(from top to bottom):  
Butter, cheese, eggs, gallons, small bottles, large bottles, milk, juice cartons

## When placing food in the appliance, please note:

- Allow warm food and drinks to cool down outside the appliance.
- Place food in the appliance well packed or wrapped. Flavor and freshness will then be retained. This will also prevent transfer of flavors and discoloration of the plastic parts.
- Do not allow oil and grease to come into contact with plastic parts or the door seal.
- Store high percentage alcohol upright in sealed containers only.

### **⚠ WARNING**

Do not store explosive substances in the appliance. Risk of explosion!

## When buying food, please note:

The “purchase freshness” is important for the shelf-life of your food. In principle the following applies: The fresher the food is, the longer it will keep. When buying food, always note the degree of freshness.



# Freezing and storing

## Store the frozen produce

**⚠ CAUTION ⚠**

Do not refreeze frozen food which is thawing or which has thawed. Boil or fry the food before refreezing it.

No longer store the frozen produce for the max. storage period.

When purchasing deep-frozen food, comply with the following:

- Check whether the packaging is damaged.
- Check the sell-by date.
- The temperature of the supermarket freezer must be lower than 0 °F (–18 °C). If not, the storage life of the food is reduced.
- Purchase deep-frozen food last. Wrap in newspaper or place in a cold bag and take home.
- At home immediately place deep-frozen food in the freezer compartment. Use the deep-frozen food before the sell-by date runs out.

## Freezing food yourself

Freeze fresh, undamaged food only. To prevent food from losing its flavour or drying out, place in airtight containers. Food should be frozen solid as quickly as possible.

## How to wrap food correctly

- Place the food in the wrapping.
- Press out all the air.
- Seal the wrapping.
- Label the wrapping with the contents and date.

### The following products are not suitable for wrapping food:

Wrapping paper, greaseproof paper, cellophane, refuse bags and used shopping bags.

### The following products are suitable for wrapping food:

Plastic film, polyethylene blown film, aluminium foil and freezer tins. These products can be purchased from your dealer.

### The following products are suitable for sealing the wrapped food:

Rubber bands, plastic clips, string, cold-resistant adhesive tape or similar.

- i** Bags and polyethylene blown film can be sealed with a film sealer.

## Thawing the frozen food

Depending on the type and purpose of the food, thaw:

- at room temperature
- in the refrigerator
- in an electric oven, with/without hot air fan
- in the microwave oven

Foods	Storage Time
<b>Butter</b>	6 to 9 months
<b>Milk, Cream</b>	Not recommended
<b>Cream cheese</b>	
<b>Cottage cheese</b>	
<b>Hard cheese</b>	4 to 6 months
<b>Eggs</b>	
fresh, in shell	Do not freeze!
Raw yolks and whites	9 to 12 months
<b>Mayonnaise</b>	Do not freeze!
<b>Summer sausage</b>	
opened	1 to 2 months
unopened	1 to 2 months
<b>Bacon</b>	1 month
<b>Luncheon meat</b>	1 to 2 month
<b>Vacuum-packed diners, unopened</b>	3 to 4 months
<b>Corned Beef</b>	1 month (drained)
<b>Beef, Veal, Lamb, Pork</b>	
fresh	4 to 12 months
cooked	2 to 3 month
<b>Poultry</b>	
fresh	9 to 12 months
cooked	4 to 6 month
<b>Vegetables</b>	
Asparagus	
Broccoli, green peas, lima beans, cauliflower	8 to 10 months
Carrots, beets and turnips, lettuce	
Onions, peppers	
<b>Fruits</b>	
Apples	8 months (cooked)
Apricots, berries, cherries	6 months
Grapes	1 month (whole)
Pineapples, cut	6 to 12 months

Source: United States Department of Agriculture, FSIS

# IceMaker

As soon as the freezer has cooled down to freezing temperature, the ice cube tray fills with water. Cold air is blown directly over the tray.

As soon as they are frozen, the ice cubes fall into the ice cube container.

When the ice cube container is full, the ice maker switches off automatically.

The ice maker can produce approx. 100 ice cubes within 24 hours.

**⚠ CAUTION ⚠**

Do not place any bottles or food for rapid cooling in the ice cube container. The ice maker may become blocked and be damaged.

## Switching on the ice maker

- ❑ Make sure that the ice cube container is under the ice maker and has been inserted as far as possible.



- ❑ Press the ICE button (if not yet switched on).

## Switching off the ice maker

- i** The water supply line must be shut off several hours before the appliance or ice maker is switched off.

To switch off the ice maker:

- ❑ Press the ICE button.

## Do the ice cubes have an unusual odor?

Ice is a porous material which can absorb odors from the environment. Ice cubes which have been in the ice cube container for a long time may absorb such odors, stick together and slowly become smaller.

We recommend that these ice cubes are no longer used.

Other means of preventing odors:

- The ice cube container should be cleaned occasionally with warm water. Make sure that you switch off the ice maker before cleaning the container. Rinse out and wipe dry.
- Check the contents of the freezer for spoilt or out-of-date food. All odorous foods should be wrapped thoroughly or stored in airtight containers to prevent the build-up of odors.
- The water filter may have to be replaced in some models.
- In some cases the quality of the water connection in the house should be checked.

# Operating noises

## Quite normal noises

**Grumbling** – refrigerating unit is running. Fan in the recirculating air system is running.

**Bubbling, humming or gurgling noises** – refrigerant is flowing through the tubes.

**Clicking** – motor is switching on or off. Solenoid valve on the water connection is opening/closing.

**Rumbling** – ice cubes are falling into the ice cube container.

## Noises which can easily be eliminated

### The appliance is not level

Level the appliance with the aid of a spirit level.

Use the height-adjustable feet or place something underneath.

### Drawers, baskets or storage areas wobble or stick

Check the removable parts and, if required, reinsert them.

### Receptacles are touching each other

Move bottles or receptacles away from each other.

---

## How to save energy

- Install the appliance in a dry, ventilated room; do not expose to direct sunlight and do not place near a heat source (e.g. radiator, cooker). If required, use an insulating plate.
- Allow warm food and drinks to cool down before placing them in the appliance.
- Defrost frozen food by placing it in the refrigerator. The low temperature of the frozen food will refrigerate the food in the refrigerator compartment.
- Open the appliance door as briefly as possible!

---

## Defrosting

The appliance is defrosted automatically.

---

## Cleaning the appliance

### **WARNING**

To avoid electrical shock which can cause severe personal injury or death, disconnect power to appliance before cleaning. After cleaning, reconnect power.

### **CAUTION**

To avoid personal injuries or property damage, observe the following:

- Do not clean the appliance with a steam cleaner.
- Do not let the water used for cleaning drip onto the light or control panel.
- Do not use abrasive or acidic cleaning agents or solvents which may damage the surfaces of the appliance.
- Never clean shelves and containers in the dishwasher. The parts may warp.

- Switch off the appliance with the POWER button! Pull out the mains plug or switch off the fuse.**
- Clean the door seal with water only and dry thoroughly.

- Clean the appliance with lukewarm water and a little dishwashing liquid.

Do not let the water used for cleaning drip onto the control panel or light.

- Check the ventilation openings on the base panel. Remove dirt with a vacuum cleaner.

After cleaning:

- Reinsert the mains plug or switch on the fuse. Switch on the appliance with the POWER button.
- i** Have your supplier inform you about special cleaning and care information for appliance surfaces.
- Wipe appliance surfaces with a damp cloth. Then immediately wipe dry.

---

## Odors

If the appliance is emitting unpleasant odors:

- Switch off the appliance with the POWER button!**
- Take all food out of the appliance.
- Clean the interior.  
See section on “Cleaning the appliance”.
- Thoroughly clean all packing containers used in the appliance.
- Pack strong-smelling food in airtight containers to prevent the build up of odors.
- Switch on the appliance again with the POWER button.
- Stack food in the appliance.
- After 24 hours check whether the odors have been eliminated.

# Warning messages via the display

If several warning messages are displayed simultaneously, deal with each message individually.

While a warning message is displayed, buttons cannot be pressed.

## Temperature alarm (freezer compartment)



A temperature alarm is indicated by the required temperature flashing and the ALARM symbol coming on. A signal also sounds if the Tone function has been activated in setup mode.

### Cause

- Power failure
- Large quantities of fresh produce placed in the appliance
- Fault with the appliance

### Remedial action

- Press the ALARM button.  
The signal stops. The highest temperature in the appliance is displayed for several seconds.
- Determine the cause of the temperature alarm.
- i** When the required temperature is reached again, the ALARM symbol goes out and the signal stops.

## Door alarm



### Cause

- An appliance door has not been closed properly or has been open too long.

### Remedial action

- Close the door.  
The display goes out.

## Sensor fault



### Cause

- A technical defect is possible.

### Remedial action

- Conduct an appliance self-test.

## Low voltage



The display light has gone out.

### Cause

- The mains voltage has dropped below the permitted limit value.

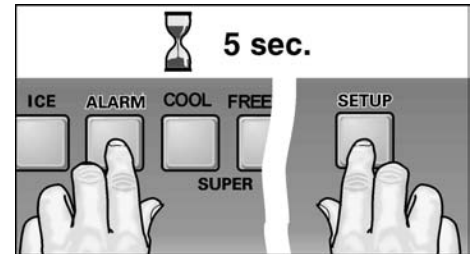
### Remedial action

Buttons cannot be pressed. When the mains voltage reaches the stipulated value again, the warning message goes out. If the warning message is prolonged, inform your power supply company.

# Appliance self-test

Before you call customer service, conduct an appliance self-test.

- Switch off the appliance and wait 5 minutes. Keep the door closed.
- Switch on the appliance.



- Simultaneously hold down the SETUP and ALARM OFF buttons for 5 seconds.

The self-test starts. Different messages are displayed in succession.

If a fault is detected during the self-test, the ALARM symbol and a corresponding error message, e.g. for a sensor fault, are displayed.

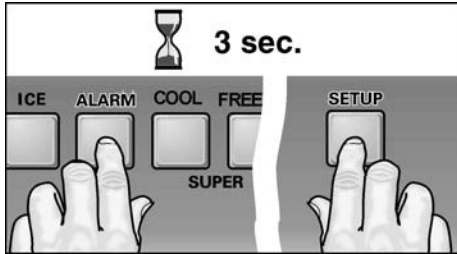


Inform customer service about the error message.

If the appliance self-test does not establish any faults, the required temperature is displayed on completion of the self-test.

# Resetting factory settings

Recommended after a change of owner.



- Simultaneously hold down the SETUP and ALARM OFF buttons for 3 seconds.

If the factory settings are reset:

- an appliance which is switched off switches on,
- the **Super** function switches off,
- settings changed in Setup mode are reset to factory settings.

# Water filter

## ⚠ WARNING ⚠

To avoid serious illness or death, do not use water that is microbiological or chemical unsafe or of unknown quality without adequate disinfection or other treatment before or after use of filter.

## Exchanging the filter

## ⚠ CAUTION ⚠

- After installing a new water filter always discard the ice production of the first 24 hours after switching on the icemaker.
- If ice has not been used for a prolonged time, discard all ice cubes in the bin and discard the ice production of the next 24 hours.
- If appliance or ice was not actively used for several weeks or months or ice cubes have an unpleasant taste or odor, change water filter.
- Air trapped in system may cause water and cartridge to eject. Use caution when removing.
- The filter should be changed at least every 6 months.

If the following display is indicated:



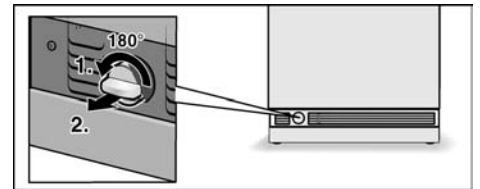
The age of the filter is close to the maximum life time. Order a new "UltraClarity" water filter.

To purchase an "UltraClarity" replacement water filter contact your local dealer or call **1-800-578-6890**.

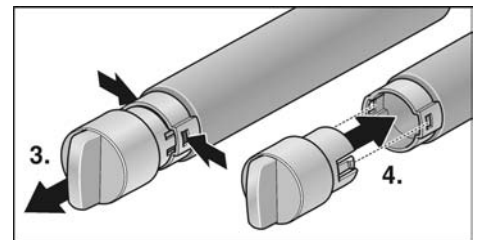
If the following display is indicated:



- The filter has to be changed immediately.



1. Rotate the filter cap on the base panel by 90–180° in an anti-clockwise direction.
2. Pull the used filter cartridge out of the appliance.

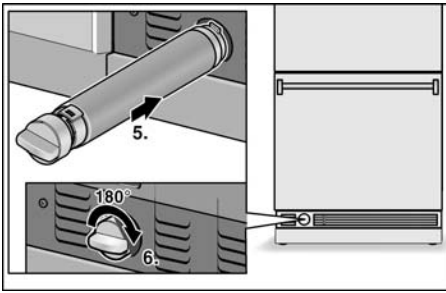


3. Remove the cap from the used filter.

Take a new filter cartridge out of the packaging and remove the protective cap.

4. Push the cap onto the new filter cartridge.





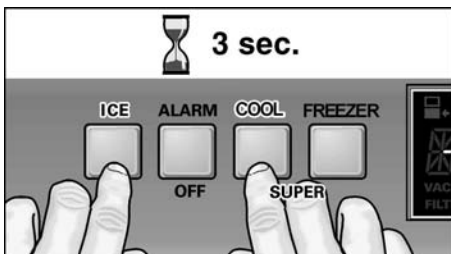
5. Push the filter cartridge with the cap in a horizontal position all the way into the opening in the base panel.
6. Rotate the filter cartridge by 90°–180° gently in a clockwise direction until the cap is in a horizontal position.

- i** After changing the filter, reset the filter display.
- i** The appliance might be used without a "UltraClarity" water filter. If you choose this option replace the water filter by a water filter substitute cartridge. To purchase a water filter substitute cartridge contact your local dealer or call 1-800-578-6890.

## Resetting the filter display

- i** If the filter display is not reset, the next required filter change cannot be signalled by the display.

After each filter change:



- Simultaneously hold down the SUPER COOL and ICE buttons for 3 seconds.

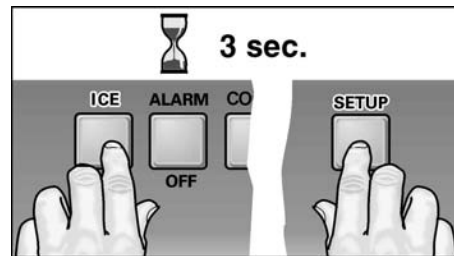
## Deactivating the filter display

- i** The appliance might be used without a "UltraClarity" water filter. If you choose this option replace the water filter by a water filter substitute cartridge. In this case the filter display might be deactivated to prevent filter change messages. To purchase a water filter substitute cartridge contact your local dealer or call 1-800-578-6890.

**⚠ WARNING ⚠**

To avoid serious illness or death, do not deactivate the filter display while using an "UltraClarity" water filter.

To deactivate the filter display:



- Simultaneously hold down the SETUP and ICE buttons for 3 seconds.
- i** Re-activate the filter display by pressing the SUPER and ICE buttons for 3 seconds simultaneously.

# Filter – Product Data Sheet

## Performance Data Sheet For Filter Model 19000 077095

Using Replacement Cartridge 9000 077104

Note that while the testing was performed under standard laboratory conditions, actual performance may vary.

This system has been tested according to NSF/ANSI Standards 42 and 53 for the reduction of the substances listed below. The concentration of the indicated substances in water entering the system was reduced to a concentration less than or equal to the permissible limit for water leaving the system, as specified in NSF/ANSI 42 and 53.

System tested and certified by NSF International in Model 19000 077095 against NSF/ANSI Standard 53 for the reduction of Cysts and Turbidity and against Standard NSF/ANSI 42 for the reduction of Chlorine Taste and Odor; Nominal Particulate Class I



to a capacity of 739.68 gallons (2800 liters).

Substance	Average Influent Concentration	Influent Challenge Concentration mg/L	Product Water Concentration	Average % Reduction	Maximum Permissible Product Water Concentration	Max. Effluent	Min. % Reduction	NSF Test
Cysts*	166500	Minimum 50,000/L	1	99.99	99.95	1	99.99	511077-03
Turbidity	10.7	11 + 1 NTU	0.31	97.10	0.5 NTU	0.49	95.42	511078-03
Particulate Class I Particle size: >0.5 to <1 um	5700000	At least 10,000 particles/ml	30583	99.52	> 85%	69000	98.9	511079-03
Chlorine taste and odor	1.9	2.0 mg/L ± 10%	0.05	97.3	≥50%	0.06	96.84	511081-03

\* Based on the use of *Cryptosporidium parvum* oocysts

Application Guidelines/Water Supply Parameters	
Water pressure	30 - 120 psi (207 - 827 kPa)
Water temperature*	33° F - 100° F (0.6° C - 38° C)
Service flow	0.75 gpm (2.83 lpm)

Systems must be installed and operated in accordance with manufacturer's recommended procedures and guidelines. Change filter at least every 6 - 9 months. Flush new filter for 5 minutes. See warranty card for complete details

Do not use with water that is microbiologically unsafe or of unknown quality without adequate disinfection before or after the system. Systems certified for cyst reduction may be used on disinfected waters that may contain filterable cysts.

Entire System (excluding disposable cartridges) is warranted for a period of one year. Disposable cartridges are warranted for defects in material and workmanship only. Service life of disposable filter cartridges varies with local water conditions and is thus not warranted.

For estimated costs of replacement elements please visit your local appliance dealer or parts distributor.

Manufactured by:

Cuno Engineered Products  
1000 Apollo Road  
Eagan, MN 55121-2240 U.S.A.

# Troubleshooting

Fault	Possible cause	Remedial action
Appliance has no cooling capacity. The interior light does not function. The display does not come on.	Power failure; the fuse has actuated; the mains plug is not in properly.	Check that the power is on. The fuse must be switched on. Check that the mains plug is plugged in.
The refrigerating unit switches on more and more frequently and for longer.	Appliance door opened frequently.	Do not open the door unnecessarily.
	Large quantities of fresh food placed in the appliance.	Switch on <b>Super</b> function.
	The ventilation openings are covered.	Remove obstacles and dirt.
The temperature in the refrigerator or freezer compartment is too cold.	Temperature has been set too low.	Set a warmer temperature (see "Setting the temperature").
The interior light does not function.	The bulb is defective.	Change the bulb (see "Changing the bulb").
	The light switch is sticking.	Check whether it can be moved.
The appliance is giving off odors.	Strong-smelling foods have not been packed in airtight containers.	Clean the appliance. Pack strong-smelling foods in airtight containers (see "Odors").

## IceMaker

Fault	Possible cause	Remedial action
Ice maker does not appear to be running.	The ice maker is not connected to the power supply.	Call customer service.
	The ice maker has no water supply.	Ensure that the water supply line is connected properly.
	The freezer compartment temperature is too high.	Check temperature of the freezer compartment. If required, lower the temperature.
Small ice cubes over a prolonged period.	Other domestic appliances which use water are in operation.	Avoid using e.g. a dishwasher, washing machine or shower at the same time.
	Water filter must be changed.	Instructions for changing the water filter can be found in the enclosed installation instructions.
	Wrong water pressure.	Check water pressure. The water pressure must be between 25 and 120 p.s.i. (1.72–8.25 bar).
	A wrong water valve has been installed.	Self-tapping valves and 3/16 inch (4.76 mm) saddle valves reduce the water pressure and may eventually block the pipe. <b>The manufacturer is not liable for damage to property due to an incorrect installation or water connection.</b>
Ice cubes have an unpleasant odor/flavor.	Ice which is stored for a long time may absorb odors which impair their taste.	Dispose of old ice cubes. Use the ice maker more frequently.
	The ice cube container is dirty.	Empty and wash out the ice cube container.
	Unsealed packages in the freezer transfer odor/flavor particles to the ice cubes.	Check whether the frozen food has been packed in airtight containers.
	Clean the inside of the appliance.	See section on "Odors".



Fault	Possible cause	Remedial action	
<b>Ice maker is not producing any ice.</b>	The ice cube container is in the false position.	Reinsert the container and slide it backwards to the end position (see section “Variable interior design”).	
	The water pressure is too low.	Check water pressure. The water pressure must be between 25 and 120 p.s.i. (1.72–8.25 bar).	
	The freezer compartment temperature is too high.	Check temperature of the freezer compartment. If required, lower the temperature.	
	A wrong water valve has been installed.	Self-tapping valves and 3/16 inch (4.76 mm) saddle valves reduce the water pressure and may eventually block the pipe. <b>The manufacturer is not liable for damage to property due to an incorrect installation or water connection.</b>	
<b>The ice maker is not producing enough ice or the ice cubes are misshapen.</b>	The water pressure is too low.	Check water pressure. The water pressure must be between 25 and 120 p.s.i. (1.72–8.25 bar).	
	The freezer compartment temperature is too low.	Check temperature of the freezer compartment. If required increase the temperature.	
	Change the water filter.	Instructions for changing the water filter can be found in the enclosed installation instructions.	
<b>Ice is forming in the supply hose to the ice maker.</b>	The water pressure is too low.	Check water pressure. The water pressure must be between 25 and 120 p.s.i. (1.72–8.25 bar).	
	The freezer compartment temperature is too high.	Check temperature of the freezer compartment. If required, lower the temperature.	
<b>Water is flowing out of the appliance.</b>	The water pipe in the appliance is defective.	Call customer service immediately.	
	➔ Close shut-off valve immediately.	The water pressure is too low.	The valve may leak if the water pressure is too low. The water pressure must be between 25 and 120 p.s.i. (1.72–8.25 bar).
	A wrong water valve has been installed.	Self-tapping valves and 3/16 inch (4.76 mm) saddle valves reduce the water pressure and may eventually block the pipe. <b>The manufacturer is not liable for damage to property due to an incorrect installation or water connection.</b>	

# Changing the bulb

## ⚠ WARNING ⚠

To avoid electrical shock which can cause severe personal injury or death, disconnect power to appliance before making repairs. After making repairs, reconnect power.

- ❑ Switch off the appliance with the **POWER** button! Pull out the mains plug or switch off the fuse.

## ⚠ CAUTION ⚠

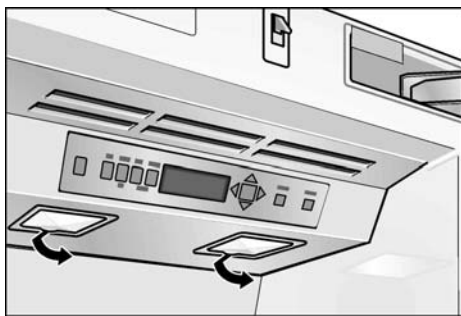
Never touch a halogen bulb with bare fingers.

When inserting a glass halogen bulb, always hold with a soft cloth.

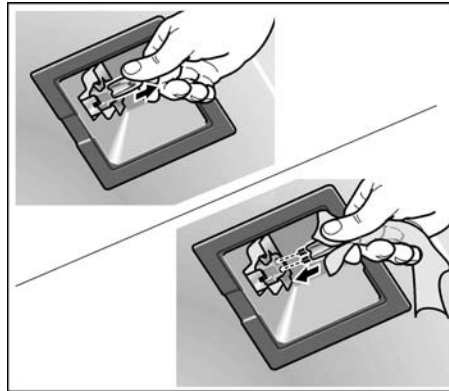
We recommend that a service technician changes the bulb.

## Halogen bulbs above

Halogen bulb type:  
20 W/12 V/socket G4



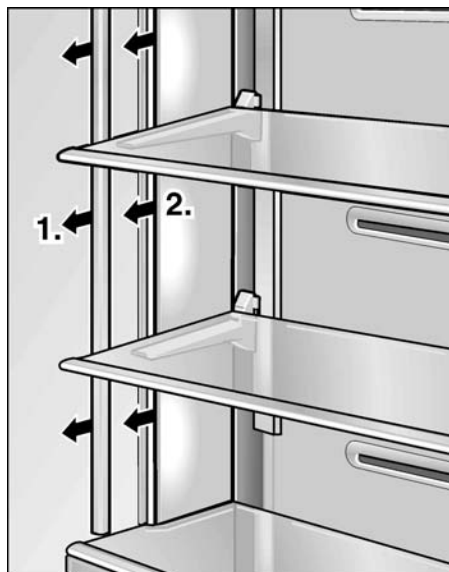
- ❑ Release the cover and remove from the clip.
- ❑ Pull out the defective halogen bulb.



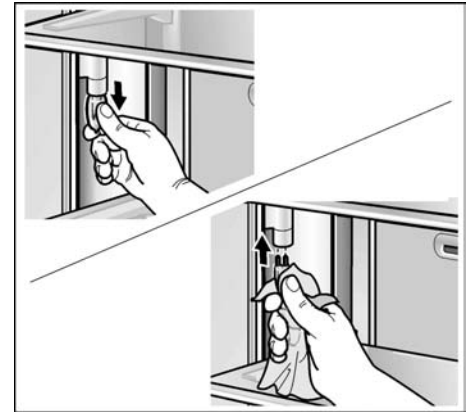
- ❑ Insert a new halogen bulb. Touch the halogen bulb with a soft cloth only.
- ❑ Attach the cover and connect to the clip.

## Halogen bulbs at the side

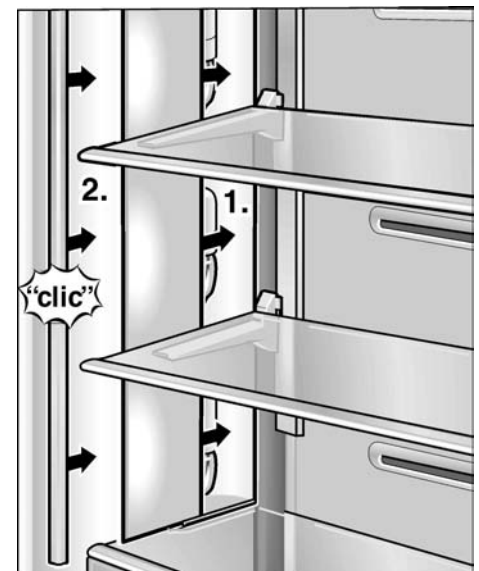
Halogen bulb type:  
10 W/12 V/socket G4



- ❑ Pull out the cover rail forwards.
- ❑ Remove the disc forwards.
- ❑ Pull out the defective halogen bulb.



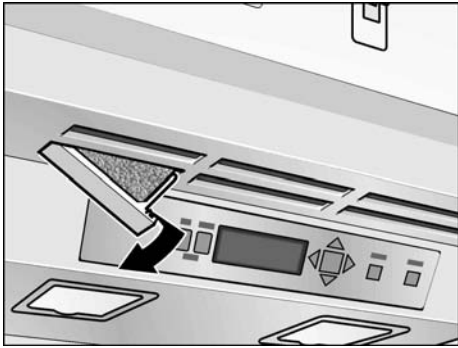
- ❑ Insert a new halogen bulb. Touch the halogen bulb with a soft cloth only.



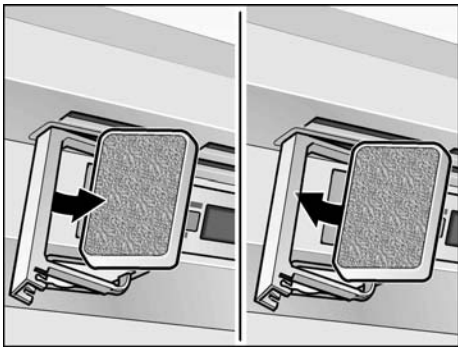
- ❑ Insert the disc.
- ❑ Insert the cover rail.

# Changing the odor filter

**i** Replacement filters are available from your dealer.



Open the filter holder.



Pull out used odor filter.

Insert a new odor filter.



Close the filter holder.

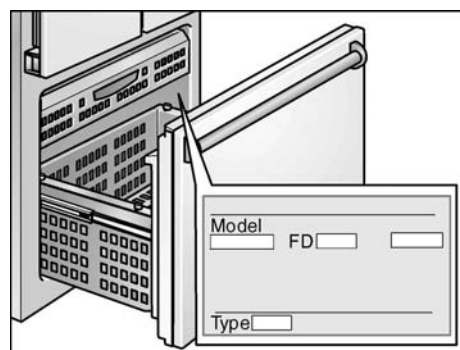
# Service

If you need service, first see the "Troubleshooting" section of this book. After checking "Troubleshooting", additional help can be found by calling the Thermador Customer Interaction Center, **1-800-735-4328** (toll-free), from anywhere in the U.S.A. In Canada, contact your designated Thermador Canada service company or call **1-800-735-4328**.

Write down the following information about your refrigerator to better help you obtain assistance or service if you ever need it.

<b>Dealer name:</b>
<b>Address:</b>
<b>Phone number:</b>
<b>Purchase date:</b>
<b>Model number:</b>
<b>FD number:</b>
<b>Serial number:</b>
<b>Type:</b>

You will need to know your complete model number and serial number.



# Warranty

## TWO-YEAR FULL WARRANTY

For two years from the date of purchase, when this refrigerator (excluding the water filter cartridges) is operated and maintained according to instructions attached to or furnished with the product, Thermador will pay for factory specified replacement parts and repair labor costs to correct defects in materials or workmanship. Service must be provided by a Thermador designated service company.

Water filter cartridge: 30 day limited warranty on water filter. For 30 days from the date of purchase, when this filter is operated and maintained according to instructions attached to or furnished with the product, Thermador will pay for replacement parts to correct defects in materials and workmanship.

## THIRD THROUGH SIXTH YEAR FULL WARRANTY ON SEALED REFRIGERATION SYSTEM PARTS AS LISTED

In the third through sixth years from the date of purchase, when this refrigerator is operated and maintained according to instructions attached to or furnished with the product, Thermador will pay for factory specified replacement parts and repair labor costs to correct defects in materials or workmanship in the sealed refrigeration system. These parts are: compressor, evaporator, condenser, dryer, and connecting tubing. Service must be performed by a Thermador designated service company.

## SEVENTH THROUGH TWELFTH YEAR LIMITED WARRANTY ON SEALED REFRIGERATION SYSTEM

In the seventh through twelfth years from date of purchase, when this refrigerator is operated and maintained according to instructions attached to or furnished with the product, Thermador will pay for factory specified replacement parts to correct defects in materials or workmanship in the sealed refrigeration system. These parts are: compressor, evaporator, condenser, dryer, and connecting tubing.

### Thermador will not pay for:

1. Service calls to correct the installation of your refrigerator, to instruct you how to use your refrigerator, to replace house fuses or correct house wiring or plumbing, to replace light bulbs, or to replace water filters other than as noted above.
2. Repairs when your refrigerator is used in other than normal, single-family household use.
3. Pickup and delivery. Your refrigerator is designed to be repaired in the home.
4. Damage resulting from accident, alteration, misuse, abuse, fire, flood, improper installation, acts of God, or use of products not approved by Thermador or Thermador Canada.
5. Any food or medicine loss due to product failure.
6. Repairs to parts or systems resulting from unauthorized modifications made to the appliance.
7. Removal and replacement of trim or decorative panels that interfere with servicing the product.

8. Labor or parts installed by any non-designated service company during the full warranty period, unless approved by Thermador before service is performed.
9. In Canada, travel or transportation expenses for customers who reside in remote areas.
10. Any labor costs during the limited warranty periods.

## THERMADOR AND THERMADOR CANADA SHALL NOT BE LIABLE FOR INCIDENTAL OR CONSEQUENTIAL DAMAGES.

Some states or provinces do not allow the exclusion or limitation of incidental or consequential damages, so this exclusion or limitation may not apply to you. This warranty gives you specific legal rights, and you may also have other rights which vary from state to state or province to province.

**Outside the United States and Canada, a different warranty may apply. Contact your authorized Thermador dealer to determine if another warranty applies.**

If you need service, first see the "Troubleshooting" section of this book. After checking "Troubleshooting," additional help can be found by checking the "Assistance or Service" section or by calling the Thermador Customer Interaction Center, **1-800-735-4328** (toll-free), from anywhere in the U.S.A. In Canada, contact your designated Thermador Canada service company or call **1-800-735-4328**.

**Keep this book and your sales slip together for future reference. You must provide proof of purchase or installation date for in-warranty service.**

---

# Table de matières

INSTRUCTIONS DE SÉCURITÉ IMPORTANTES .....	30
Félicitations .....	31
Présentation de votre nouvel appareil .....	32
Installation .....	34
Raccordement à l'alimentation électrique .....	35
Raccordement de l'eau .....	35
Allumage de l'appareil .....	35
Extinction et débranchement de l'appareil .....	36
Fonctions .....	36
Aménagement variable de l'intérieur .....	37
Panneau de commande .....	39
Réglage de la température .....	40
Fonction Super .....	40
Mode Configuration (Setup) .....	41
Réglages modifiables en mode Configuration (Setup) .....	42
Mode Vacances .....	43
Mode Sabbat .....	43
Réfrigération .....	43
Congélation et rangement .....	44
Distributeur de glaçons .....	45
Comment économiser de l'énergie .....	46
Dégivrage .....	46
Nettoyage de l'appareil .....	46
Odeurs .....	47
Messages d'avertissement apparus à l'afficheur .....	47
Autodiagnostic de l'appareil .....	48
Remise de l'appareil sur ses réglages usine .....	48
Filtre à eau .....	49
Dérangements et remèdes .....	52
Changement de l'ampoule .....	54
Changement du filtre à odeurs .....	55
Service après-vente .....	55
Garantie .....	56
English .....	3
Espagnol .....	59



# INSTRUCTIONS DE SÉCURITÉ IMPORTANTES

## VEUILLEZ LIRE ET CONSERVER CES INSTRUCTIONS !

### **⚠ AVERTISSEMENT**

Lorsque vous utilisez cet appareil, veuillez toujours prendre des précautions de base, y compris les suivantes :

1. N'utilisez cet appareil que dans le but prévu tel que décrit dans le présent manuel de l'utilisateur.
2. Avant utilisation, ce réfrigérateur devra être correctement installé en conformité avec les instructions d'installation.
3. Ne permettez jamais aux enfants de se servir des clayettes comme marchepieds, de s'y tenir debout dessus ou de s'y suspendre. Ils risqueraient de se blesser gravement et d'endommager le réfrigérateur.
4. A partir du moment où votre réfrigérateur fonctionne, ne touchez plus les surfaces froides à l'intérieur du compartiment, ceci surtout si vos mains sont humides ou mouillées. La peau risquerait de rester collée sur ces surfaces extrêmement froides.
5. Ne stockez ni n'utilisez pas d'essence ou d'autres liquides et vapeurs inflammables à proximité de cet appareil et de tout autre.
6. Ne recongelez pas les produits alimentaires que vous avez fait entièrement décongeler.
7. Dans les réfrigérateurs équipés d'un distributeur automatique de glaçons, évitez de toucher les pièces mobiles du mécanisme éjecteur, ou l'élément chauffant situé au fond du distributeur de glaçons. Ne placez pas les doigts ou les mains sur le mécanisme de confection automatique de glace tant que la fiche mâle du réfrigérateur est reliée à une prise de courant.
8. Utilisez la clayette motorisée prudemment. Risque de vous écraser les mains entre la clayette motorisée et le couvercle de l'évaporateur.
9. Débranchez votre réfrigérateur avant de nettoyer l'appareil ou de faire des réparations. REMARQUE : nous recommandons vivement que toute opération de service après-vente soit réalisée par un technicien qualifié.
10. Avant de remplacer une ampoule grillée, amenez l'interrupteur principal POWER sur la position OFF pour mettre l'éclairage hors tension et supprimer ainsi le risque de toucher un fil sous tension.
11. Une ampoule grillée peut se briser pendant que vous la remplacez. REMARQUE : le fait de ramener le thermostat du réfrigérateur sur OFF ne met pas le circuit d'éclairage hors tension.

### **⚠ AVERTISSEMENT**

#### **RISQUE D'ENFERMEMENT POUR LES ENFANTS**

Les enfants risquent de s'enfermer et de s'asphyxier dans l'appareil. Il ne s'agit pas de problèmes du passé. Les appareils de réfrigération mis au rebut ou abandonnés demeurent dangereux-même s'ils ne sont là "que pour quelques jours". Si vous êtes en train de vous débarrasser de votre ancien appareil, veuillez suivre les présentes instructions et vous contribuerez ainsi à prévenir des accidents.

Avant de mettre votre ancien congélateur inférieur au rebut :

- Enlevez ses portes.
- Laissez les clayettes à l'intérieur pour empêcher que les enfants puissent pénétrer facilement dedans.

### **Branchement électrique**

L'appareil est livré avec un cordon d'alimentation électrique à trois fils et figurant dans la liste UL.

Cet appareil requiert d'être raccordé à une prise femelle à trois fils.

L'installation de cette prise est une opération exclusivement réservée à un électricien agréé.

## Instructions de raccordement à la terre

Cet appareil devra être relié à la terre.

En cas de dysfonctionnement ou de panne, le raccordement réduit le risque de choc électrique en fournissant au courant un chemin de moindre résistance électrique.

Un branchement incorrect du fil de raccordement à la terre peut occasionner un choc électrique. Si vous n'êtes pas sûr que l'appareil est correctement relié à la terre, faites-le vérifier par un électricien agréé ou un technicien du service après-vente.

Certaines réglementations locales peuvent exiger un raccordement à part à la terre. En pareils cas, vous devrez acheter séparément les accessoires requis : le fil de terre, la bride et la vis.

Ne raccordez jamais l'appareil à des conduites en plastique, conduites de gaz ou conduites d'eau.

## MISE AU REBUT DES CFC

Votre ancien réfrigérateur était peut-être équipé d'un système de refroidissement qui faisait appel à des CFC (chlorofluorocarbones). Les CFC sont soupçonnés d'endommager la couche stratosphérique d'ozone.

Lorsque vous vous débarrassez d'un ancien réfrigérateur, assurez-vous au préalable que le fluide réfrigérant à base de CFC en sera retiré ou qu'il sera éliminé, dans les deux cas par un technicien de service qualifié. Le rejet de fluide réfrigérant à base de CFC dans l'atmosphère vous expose à des amendes et peines d'emprisonnement en vertu des dispositions prévues par la législation.

## IMPORTANT



Veillez conserver ces instructions pour usage par l'inspecteur local. Veuillez observer tous les règlements et ordonnances.


**Remarque à l'intention de l'installateur** – Veillez bien à laisser les présentes instructions au client.

**Remarque à l'intention du consommateur** – Veillez conserver les présentes instructions avec votre manuel de l'utilisateur. Ils vous permettront de vous y reporter ultérieurement.

## Définitions

 <b>AVERTISSEMENT</b> 
<b>AVERTISSEMENT</b> – Cette mention précède une instruction assortie d'un danger de mort ou de blessures graves si vous ne respectez pas son contenu.

 <b>PRUDENCE</b> 
<b>PRUDENCE</b> – Cette mention précède une instruction assortie d'un risque de blessures légères ou de dégâts si vous ne respectez pas son contenu.

 Ce symbole sert à attirer votre attention sur un aspect particulier.

## Félicitations

En achetant ce nouveau congélateur inférieur, vous avez opté pour un appareil ménager moderne et de haute qualité.

Votre congélateur inférieur distingue par une consommation d'énergie économique.

Avant de quitter notre usine, chaque appareil est soigneusement vérifié pour assurer qu'il fonctionne correctement et se trouve en parfait état.

Si vous souhaitez des précisions concernant en particulier l'installation et le raccordement de l'appareil, n'hésitez pas à contacter le service après-vente.

Sur notre site Web, vous trouverez des informations avancées et tout un choix de nos produits.

Veillez lire les présentes instructions d'utilisation, les instructions d'installation ainsi que les informations jointes à l'appareil, et l'utiliser en les respectant.

Conservez tous ces documents car ils pourront servir à un éventuel futur propriétaire.

## Information générale

Le compartiment réfrigérateur de cet appareil convient afin de réfrigérer des produits alimentaires.

Le compartiment congélateur de cet appareil convient afin de :

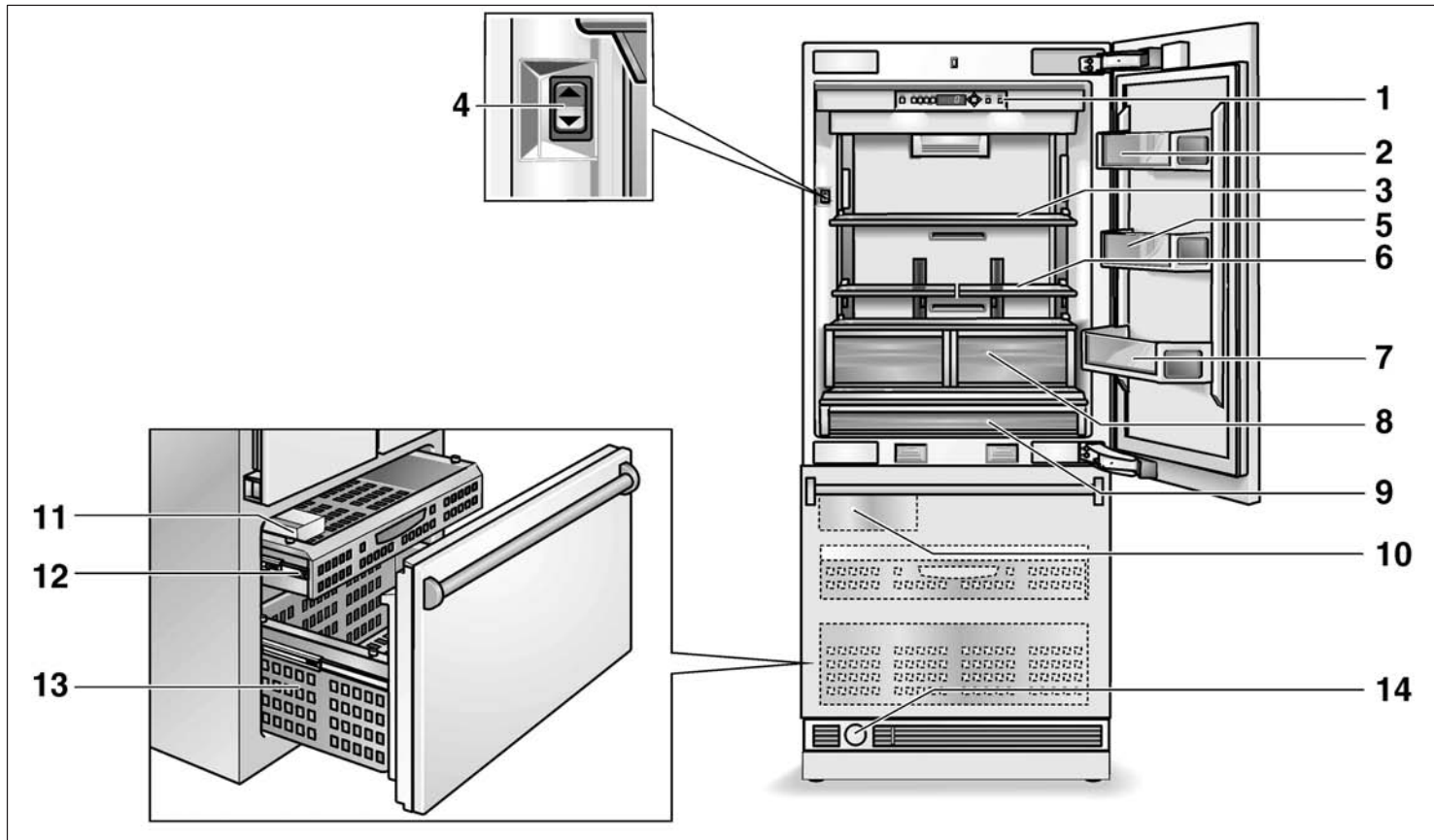
- entreposer des produits alimentaires congelés,
- congeler des produits alimentaires,
- faire des glaçons.

Cet appareil est destiné à un usage domestique uniquement.

# Présentation de votre nouvel appareil

Les présentes instructions d'utilisation valent pour plusieurs modèles. Il peut y avoir des différences entre les illustrations et votre appareil.

## Congélateur inférieur (2 portes)



### Compartiment réfrigérateur

- 1 Panneau de commande.
- 2 Casier à beurre et fromage, où stocker différents condiments, bouteilles et bocaux
- 3 Liberty Shelf™ (clayette motorisée)
- 4 Bouton de la clayette motorisée.
- 5 Casiers en contre-porte

- 6 Clayettes en verre dans le congélateur inférieur, destinées au rangement d'aliments cuits, de produits laitiers et de charcuterie
- 7 Casier à liquide en contre-porte
- 8 Bac à légumes
- 9 Bac destiné à ranger l'épicerie fine et les snacks

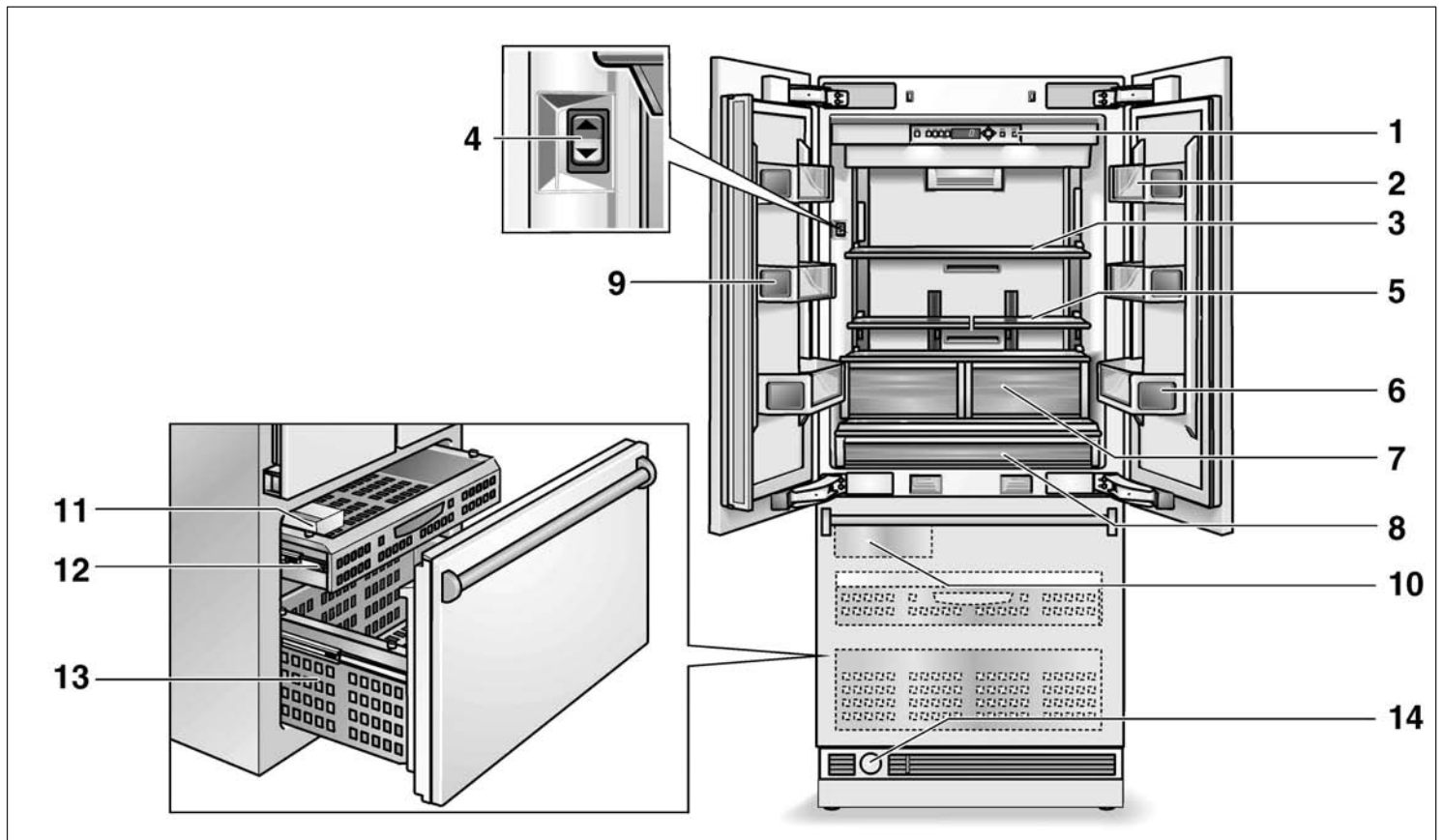
### Compartiment congélateur

- 10 Distributeur de glaçons \*
- 11 Bac à glaçons  
Capacité max. 11 lbs/5 kg
- 12 Tiroir du congélateur interne
- 13 Tiroir de la porte du congélateur
- 14 Filtre à eau

\* Non visible



## Congélateur inférieur (3 portes)



### Compartiment réfrigérateur

- 1 Panneau de commande.
- 2 Casier à beurre et fromage, où stocker différents condiments, bouteilles et bocaux
- 3 Liberty Shelf™ (clayette motorisée)
- 4 Bouton de la clayette motorisée.
- 5 Clayettes en verre dans le congélateur inférieur, destinées au rangement d'aliments cuits, de produits laitiers et de charcuterie

- 6 Casier à liquide en contre-porte
- 7 Bac à légumes
- 8 Bac destiné à ranger l'épicerie fine et les snacks
- 9 Casiers en contre-porte

### Compartiment congélateur

- 10 Distributeur de glaçons \*
- 11 Bac à glaçons  
Capacité max. 11 lbs/5 kg
- 12 Tiroir du congélateur interne
- 13 Tiroir de la porte du congélateur
- 14 Filtre à eau

\* Non visible

# Installation

## ⚠ AVERTISSEMENT ⚠

N'installez pas cet appareil

- en plein air,
- dans un environnement très humide
- dans des pièces exposées au risque de gel.

L'appareil est très lourd.

Pour connaître les poids à vide, reportez-vous au tableau suivant :

Congélateur inférieur (2 portes, 3 portes) env. 430 lbs / 195 kg

## Local d'installation

Il faudra installer l'appareil dans une pièce sèche et bien aérée.

La température ambiante ne doit pas descendre en dessous de 55 °F (13 °C) ni monter au-dessus de 110 °F (43 °C), faute de quoi l'appareil risque de mal fonctionner.

L'emplacement ne doit pas être directement exposé aux rayons solaires ou proche de sources de chaleur tels qu'une chaudière, un radiateur, etc.

S'il n'y a pas moyen d'éviter une installation à proximité d'une source de chaleur, utilisez un panneau isolant approprié ou respectez les distances minimum suivantes par rapport à la source de chaleur :

- 1,2" (3 cm) d'une cuisinière électrique,
- 12" (30 cm) d'une chaudière au fuel ou à combustible solide.

## Cavité d'installation

Pour une installation sans incident de l'appareil et pour qu'ensuite la façade du meuble soit esthétique, il est important que la cavité d'installation ait bien les dimensions spécifiées.

Assurez-vous en particulier que la cavité est carrée. Vous pouvez le vérifier avec des moyens appropriés, par exemple un niveau à bulle, des mesures en diagonale, etc.

## Mobilier / Appareillages

Le nouvel appareil sera monté de façon sûre contre des meubles et d'autres appareillages adjacents et situés au dessus.

Pour cette raison, il est d'une importance essentielle que tous les meubles / appareillages susceptibles d'être fixés puissent être connectés de façon sûre au sol ou contre le mur par des moyens appropriés.

## Sol

Pour être sûr que l'appareil a été installé de façon sûre et qu'il fonctionne correctement, le sol doit être plat et horizontal.

Le sol doit être constitué d'un matériau dur et rigide.

La surface d'installation doit se trouver au même niveau que le reste de la pièce.

Compte tenu du poids élevé de l'appareil lorsqu'il est plein, il faut que le sol offre la portance nécessaire.

Pour connaître les poids des appareils pleins, reportez-vous au tableau suivant :

- congélateur inférieur :  
1110 lbs / 500 kg

En cas de doute, contactez un architecte ou un expert en bâtiment.

## Installation et raccordement de l'appareil

### ⚠ PRUDENCE ⚠

Faites installer l'appareil par un électricien agréé, qui respectera ce faisant les instructions d'installation ci-jointes.

Après avoir installé l'appareil, attendez au moins une demi-heure avant de le mettre sous tension. Pendant le transport, l'huile du circuit de réfrigération peut s'être déplacée.

Nettoyez l'intérieur de l'appareil avant de le mettre sous tension pour la première fois.

# Raccordement à l'alimentation électrique

## ⚠ AVERTISSEMENT ⚠

### Risque de choc électrique

- Branchez la fiche mâle à 3 broches de l'appareil dans une prise à 3 orifices femelles reliée à la terre.
- Ne retirez pas la broche de raccordement à la terre.
- N'utilisez pas d'adaptateur.
- N'utilisez pas de prolongateur.

Le non-respect de ces instructions s'assortit d'un danger de mort, d'incendie ou de choc électrique.

Un branchement incorrect du fil de raccordement à la terre peut occasionner un choc électrique. Si vous n'êtes pas sûr que l'appareil est correctement relié à la terre, faites-le vérifier par un électricien agréé ou un technicien du service après-vente.

L'appareil est livré avec un cordon d'alimentation électrique à trois fils et figurant dans la liste UL.

Cet appareil requiert d'être raccordé à une prise femelle à trois fils.

L'installation de cette prise est une opération exclusivement réservée à un électricien agréé.

# Raccordement de l'eau

Il faut un raccordement à l'eau froide pour que le distributeur automatique de glaçons puisse fonctionner. La pression de l'eau doit être comprise entre 25 et 120 p.s.i. (1.72 et 8.25 bar).

L'installation doit se conformer aux règlements locaux en matière de plomberie ainsi qu'à la législation locale et celle de votre État.

Dans le cadre du raccordement de l'eau à l'appareil, il faut installer une vanne de fermeture séparée.

Cette vanne de fermeture ne doit pas se trouver derrière l'appareil. Il est recommandé de la placer directement à côté de l'appareil (unité de base) ou en tout autre endroit facile d'accès.

# Allumage de l'appareil

- Appuyez sur le bouton POWER.

Une fois que l'appareil se trouve sous tension, il commence à refroidir. L'éclairage est allumé lorsque les portes se trouvent en position ouverte.

**i** Les températures pré réglées (réglages reçus en usine) sont atteintes après quelques heures. Attendez tout ce temps avant de ranger des produits alimentaires dans l'appareil.

**i** N'utilisez pas les premiers glaçons fabriqués par le distributeur. Jetez les glaçons produits au cours des 24 premières heures consécutives à l'enclenchement du distributeur.

Pour modifier les températures réglées, reportez-vous à "Réglage de la température"

# Extinction et débranchement de l'appareil

## Extinction de l'appareil

- ❑ Appuyez sur le bouton POWER.

**i** Si l'appareil doit rester plus de 2 semaines sans fonctionner, retirez le filtre à eau. Avant de rallumer l'appareil, mettez un filtre neuf en place (voir «Remplacement du filtre»).

## Débranchement de l'appareil

Si l'appareil doit rester assez longtemps sans servir :

- ❑ Fermez la conduite d'alimentation en eau.
- ❑ Fermez la conduite d'alimentation en eau plusieurs heures avant d'éteindre l'appareil.
- ❑ Retirez le filtre à eau et jetez-le. Sécurisez la coiffe du filtre !
- ❑ Retirez tous les produits alimentaires présents dans l'appareil.
- ❑ Débranchez la fiche mâle de la prise de courant ou ramenez le disjoncteur en position éteinte.
- ❑ Videz le bac à glaçons.
- ❑ Nettoyez l'intérieur de l'appareil (voir «Nettoyage de l'appareil»).
- ❑ Pour empêcher l'apparition d'odeurs, laissez les portes ouvertes.

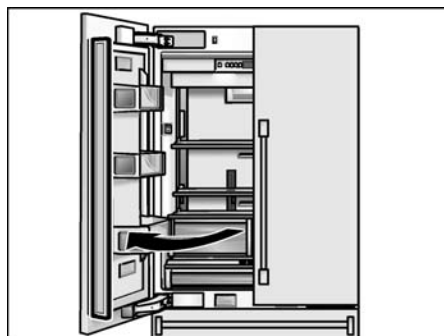
# Fonctions

## Alarme porte ouverte

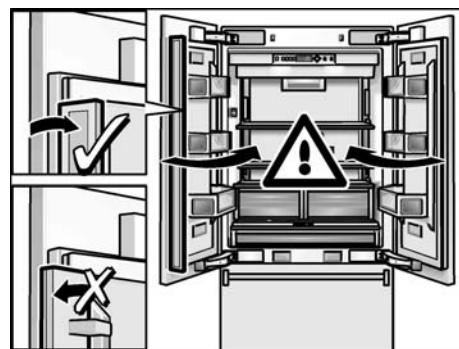
Si l'une des portes de l'appareil est restée ouverte plus d'une minute, une alarme sonore retentit.

Pour éteindre l'alarme, appuyez sur le bouton ALARM OFF et refermez la porte. Si la porte n'est toujours pas correctement refermée, l'alarme se remanifeste une minute plus tard.

## Style à porte française



La variante 3 portes permet d'ouvrir la porte gauche du compartiment réfrigérateur sans ouvrir précédemment la porte droite.



### Attention lors de la fermeture de la porte. Attention aux dommages de l'appareil !

Lors de la fermeture des portes, il faut plier le rail pliant fixé contre la porte du compartiment réfrigérateur gauche.

Un chauffage a été intégré dans le rail pliant pour éviter la condensation ; il faut l'enclencher dès que de la condensation se dépose sur le rail.

## Activez et désactivez le radiateur de porte



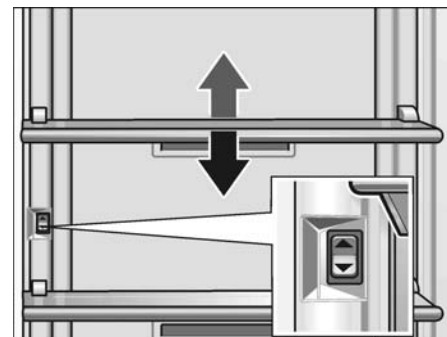
- ❑ Simultanément, appuyez sur les boutons SUPER COOL et ALARM OFF pendant 3 secondes.



L'état du moment s'affiche.

## Liberty Shelf (clayette motorisée)

Cet appareil comporte une clayette motorisée, réglable en hauteur.



Il est possible d'ajuster la hauteur de cette clayette lorsqu'elle est chargée de produits alimentaires.

- ❑ Appuyez sur la partie *supérieure* du bouton : la clayette monte.
- ❑ Appuyez sur la partie *inférieure* du bouton : la clayette descend.

**i** Charge maximale admise par l'étagère motorisée : 22.1 lbs / 10 kg

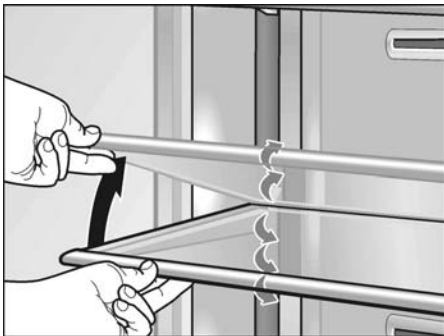
En cas de surcharge, le mécanisme reste temporairement bloqué.

# Aménagement variable de l'intérieur

Vous pouvez réaménager les clayettes à l'intérieur de l'appareil ainsi que des bacs en contre-porte comme vous le souhaitez.

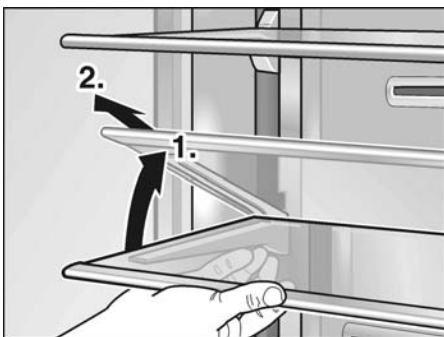
## Clayettes en verre

Chaque clayette en verre est réglable en hauteur.

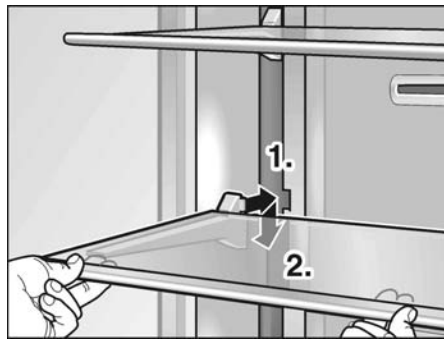


- Soulevez l'avant de la clayette puis haussez ou abaissez-la dans les guides.
- Abaissez la clayette jusqu'à atteindre la position voulue puis faites-la encocher dans les orifices pré-réglés dans le guide.

Pour retirer les clayettes :

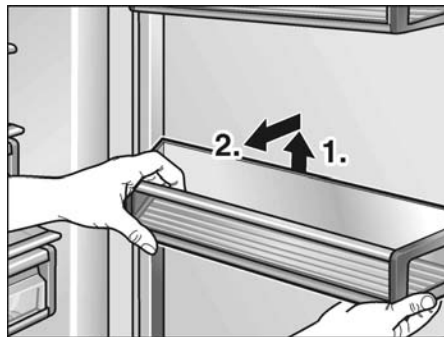


- Soulevez une clayette, éloignez-la des orifices situés sur le rail de guidage puis retirez-la.

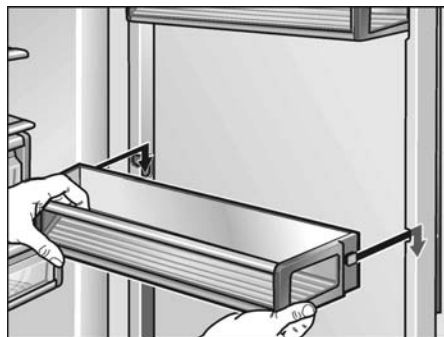


- Positionnez la clayette sur la hauteur voulue puis appuyez.

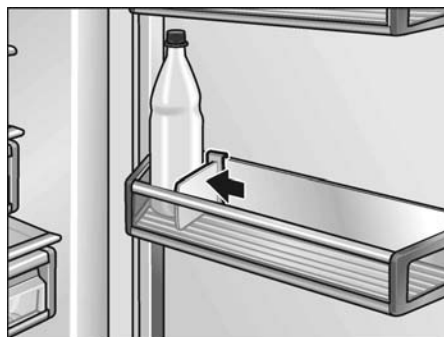
## Casier de stockage en contre-porte



- Soulevez le casier pour le retirer.

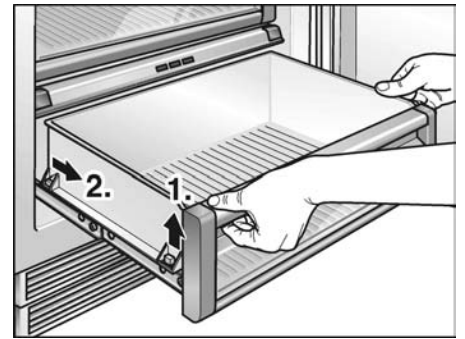


- Positionnez le casier sur la hauteur voulue puis appuyez.

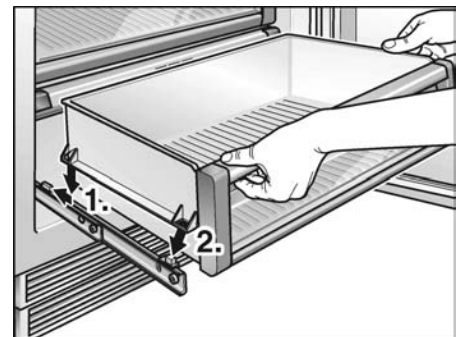


- Dans le casier de stockage en contre-porte, placez la languette de retenue des bouteilles sur la position voulue.

## Tiroirs



- Pour retirer chaque tiroir, soulevez-le légèrement puis retirez-le.



- Pour remettre les tiroirs en place, soulevez légèrement la partie avant puis réinsérez-les dans leur logement.

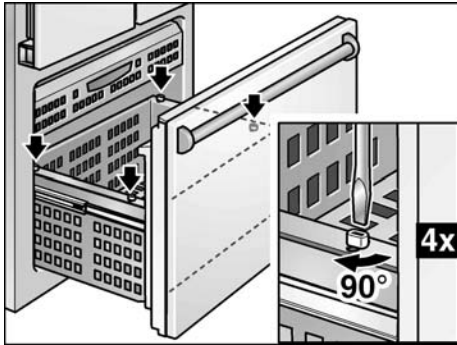
Soulevez le tiroir puis faites-le coulisser en arrière.



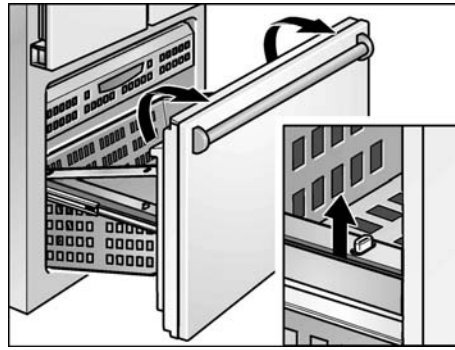
## Compartiment congélateur

Les tiroirs du compartiment congélateur sont faciles à retirer pour le nettoyage.

- i** Avant de retirer le grand tiroir congélateur, il faut retirer le tiroir supérieur en premier.



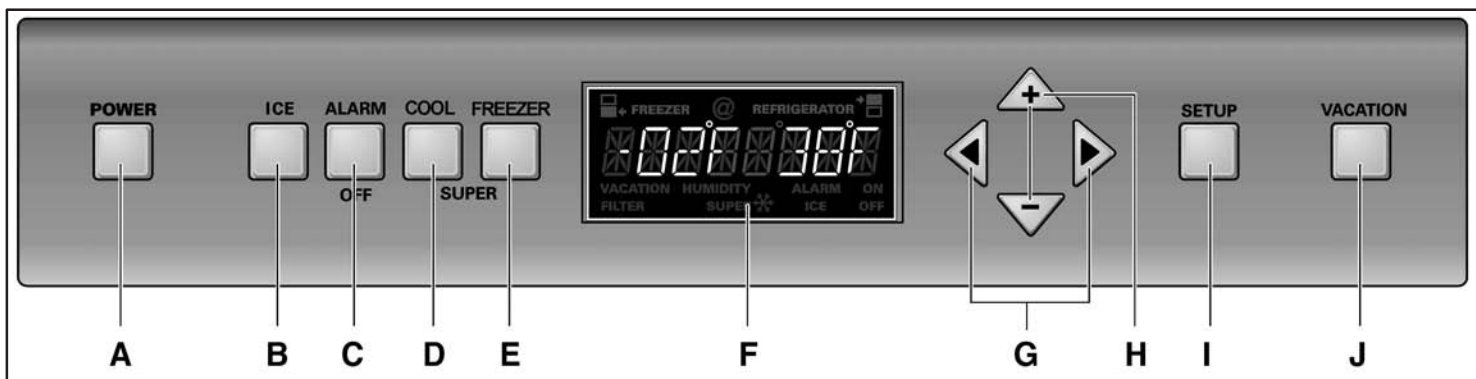
- Tournez les verrouillages des tiroirs de 90° avec un tournevis.



- Pour retirer les tiroirs, soulevez-les légèrement et retirez-les.
- Pour remettre les tiroirs en place, soulevez légèrement la partie avant puis réinsérez-les dans leur logement. Soulevez le tiroir puis faites-le coulisser en arrière. Tournez les verrouillages des tiroirs de 90° avec un tournevis.

# Panneau de commande

Pour profiter de toutes les fonctions de votre appareil, nous recommandons que vous vous familiarisiez en profondeur avec le panneau de commande et les possibilités de réglage.



## A Bouton POWER

Il sert à allumer et éteindre l'appareil.

### ⚠ PRUDENCE !

Même après que vous avez éteint l'appareil par le bouton POWER, l'appareil reste connecté au secteur électrique !

## B Bouton ICE

Ce bouton sert à allumer et éteindre le distributeur de glaçons. Voir aussi la section intitulée «Distributeur de glaçons».

## C Bouton ALARM OFF

Ce bouton sert à éteindre une alarme.

Voir la section intitulée "Alarmes de l'appareil".

## D Bouton SUPER COOL

Cet bouton allume et éteint la fonction SUPER dans le compartiment réfrigérateur.

## E Bouton SUPER FREEZER

Cet bouton allume et éteint la fonction SUPER dans le compartiment congélateur.

## F Afficheur

La température réglée requise de l'appareil apparaît à l'afficheur. Les fonctions spéciales activées sont indiquées par des symboles tels **SUPER** ❄ par exemple pour la fonction de SUPER.

En mode Configuration, les menus ainsi que les options de réglage apparaissent à l'afficheur.

Voir la section intitulée "Mode Configuration"

## G Boutons ◀ ▶

Ces boutons servent à sélectionner les menus en mode Configuration. Voir la section intitulée "Mode Configuration".

Les boutons ◀ ▶ servent à activer l'ajustage requis de température.

Voir la section intitulée "Réglage de la température".

## H Boutons + -

Ils servent à sélectionner les paramètres disponibles du menu.

Voir la section "Mode Configuration"

Les boutons + et - servent aussi à modifier la température affichée par l'appareil.

Voir la section intitulée "Réglage de la température"

## I Bouton SETUP

Ce bouton sert à activer et désactiver le mode Configuration. Lorsque vous mettez fin au mode Configuration en appuyant sur le bouton **SETUP**, l'appareil enregistre les modifications des réglages.

## J Bouton VACATION

Ce bouton sert à activer et désactiver le mode VACANCES:

Voir la section intitulée "Mode Vacances".

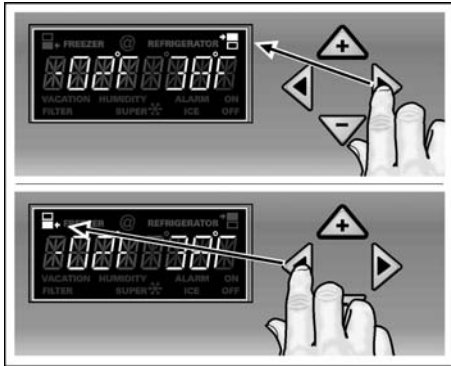
**i** Si dans le menu SIGNAL SONORE vous avez réglé le son sur ON, l'appareil émet un signal sonore de confirmation chaque fois que vous appuyez sur un bouton.

### Symboles à l'afficheur

	Compartiment réfrigérateur, voir page 13.
	Compartiment congélateur, voir page 13.
	La fonction SUPER a été activée, voir page 28.
	Options de réglage dans le mode Configuration, voir page 28.
	La fonction VACANCES a été activée, voir page 30.
	Distributeur de glaçons, voir page 18.
	Une alarme s'est affichée, voir page 32.
	Un message concernant le filtre s'est affiché, voir page 40.

# Réglage de la température

Pour ajuster l'appareil sur la température voulue :



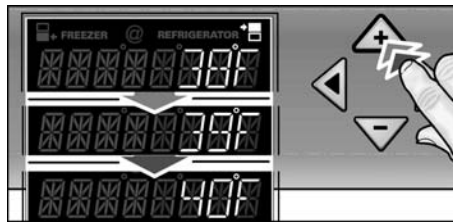
- ❑ Activez le mode Configuration par le biais des boutons ◀ ou ▶.
  - ▶ pour le compartiment réfrigérateur
  - ◀ pour le compartiment congélateur
- ❑ Réglez l'appareil sur la température voulue à l'aide des boutons + (température plus élevée) ou - (température moins élevée). La température se règle par pas de 1 °F (0,5 °C).

## Compartiment réfrigérateur

Vous pouvez régler la température dans une plage comprise entre 35 °F et 46 °F (+2 °C et +8 °C).

Nous recommandons de la régler sur 39 °F (+4 °C).

Pour ajuster l'appareil sur la température voulue :



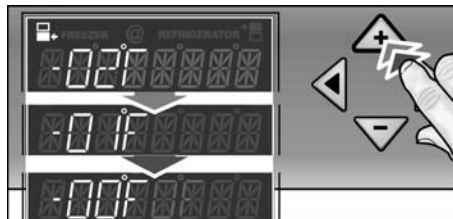
- ❑ Activez le mode Configuration par le biais des boutons ▶.
- ❑ Réglez l'appareil sur la température voulue à l'aide des boutons + (température plus élevée) ou - (température moins élevée).

## Compartiment réfrigérateur

Vous pouvez régler la température dans une plage comprise entre 7 °F et -9 °F (-14 °C et -23 °C). Nous recommandons de la régler sur 0 °F (-18 °C).

Pour ajuster l'appareil sur la température voulue :

- ❑ Activez le mode Configuration par le biais des boutons ▶.



- ❑ Réglez l'appareil sur la température voulue à l'aide des boutons + (température plus élevée) ou - (température moins élevée).

- i** Selon le modèle d'appareil, vous avez la possibilité de l'éteindre ou de le commuter sur le mode VACANCES par le biais du réglage de température. Une fois que la température la plus élevée a été atteinte, la mention OFF s'affiche.

# Fonction Super

Si vous avez activé cette fonction, la température de l'appareil descend le plus fortement possible, jusqu'à atteindre une température pré-réglée à la fabrication.

Pour désactiver cette fonction, vous pouvez :

- Appuyer à nouveau sur le bouton SUPER
- Activer la fonction ECO
- Activer le mode Vacances
- Activer le mode Sabbat

- i** La fonction Super s'éteint automatiquement 50 heures après au plus tard.

## Refrigération SUPER

La fonction Super convient idéalement pour refroidir rapidement des boissons et pour ranger de grandes quantités de produits alimentaires.

Pour activer la fonction, appuyez sur le bouton SUPER.



Le symbole **SUPER** ❄️ **REFRIGERATOR** et la température Super s'affichent.



## Congélation SUPER

La fonction Super sert à congeler de grandes quantités de produits alimentaires frais. Suivant la quantité, il faudra l'enclencher quelques heures avant de ranger les produits frais. En général, 4–6 heures avant suffisent.

Si vous voulez utiliser la puissance de congélation maximale, il faudra enclencher la supercongélation 24 heures plus tôt.

Si vous avez activé cette fonction, la température de l'appareil descend le plus fortement possible, jusqu'à atteindre une température préréglée à la fabrication.

Pour activer la fonction, appuyez sur le bouton SUPER.



Le symbole **SUPER** ❄️ **FREEZER** et la température Super s'affichent.

## Mode Configuration (Setup)

Plusieurs menus vous permettent d'ajuster les fonctions de l'appareil en fonction de vos besoins personnels. Pour effectuer les réglages correspondants, rendez-vous dans le mode CONFIGURATION.

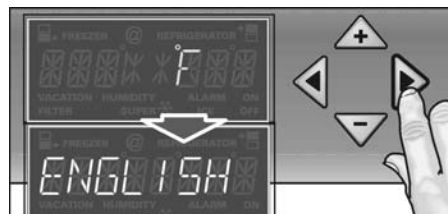
Pour activer le mode Configuration :

- ❑ Appuyez sur le bouton SETUP.



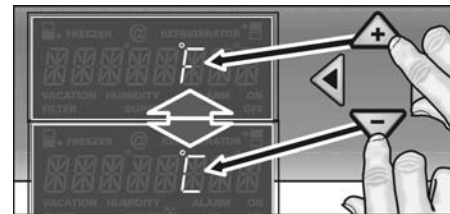
Le premier menu (unité de température) s'affiche.

Pour passer au menu suivant :



- ❑ Appuyez sur le bouton ◀ ou ▶. Le menu suivant et le réglage actuel (On/Off habituellement) s'affichent.

Pour sélectionner les différentes options de réglage à l'intérieur d'un même menu :



- ❑ Appuyez sur le bouton + ou -.
- ❑ Si vous avez modifié un réglage, l'appareil l'enregistre dès que vous passez au menu suivant par le bouton ◀ ou ▶.

Pour quitter le mode Configuration :

- ❑ Appuyez sur le bouton SETUP.

Cette action sauvegarde tous les réglages modifiés.

- ❑ Si vous n'appuyez sur aucun bouton dans les 30 secondes, le mode Configuration prend fin automatiquement. Tous les réglages modifiés sont sauvegardés. La température requise s'affiche à nouveau.

# Réglages modifiables en mode Configuration (Setup)

Menu	Options de réglage	Texte affiché
Unité de température	°F (degrés Fahrenheit) °C (degrés Celsius)	°F °C
Langue	Anglais Français	ENGLISH FRANCAIS
Signal sonore	On Off	TONE
Mode Économie d'énergie (fonction ECO)	On Off	ECO MODE

## Unité de température

L'appareil peut afficher la température en degrés Fahrenheit (°F) ou en degrés Celsius (°C).

- Appuyez sur le bouton SETUP.



Le premier menu (unité de température) s'affiche.

- Appuyez sur le bouton + ou - pour commuter entre les degrés Fahrenheit (°F) ou les degrés Celsius (°C).
- Appuyez sur le bouton SETUP pour enregistrer ce réglage.

## Réglage de la langue

Une fois que l'appareil a été mis sous tension, les messages d'erreur et les réglages en mode CONFIGURATION s'affichent en anglais.

A titre d'alternative, vous pouvez les faire afficher en français.

- Activez le mode Configuration.

- Appuyez sur le bouton ► jusqu'à ce que la mention ENGLISH s'affiche.



- Appuyez sur le bouton + ou - pour commuter sur FRANÇAIS.
- Appuyez sur le bouton SETUP pour enregistrer ce réglage.

## Mode Économie d'énergie

Lorsque la fonction Économie (Eco) est active, l'appareil commute sur un mode destiné à économiser de l'énergie.

La fonction Économie a été réglée à la fabrication pour consommer moins d'énergie. De même, dans ce mode, le rétro éclairage de l'afficheur est moins intense.

L'activation de la fonction Économie a lieu en mode Configuration.



- Appuyez sur le bouton + ou - pour ACTIVER OU DÉSACTIVER ce mode.
- Appuyez sur le bouton SETUP pour sauvegarder ces réglages.

La mention ECONOMY apparaît à l'afficheur standard.



Vous pouvez désactiver la fonction **Eco** en :

- La désactivant dans le mode Configuration.
- Activant la fonction **Super**.
- Modifiant la température requise de l'appareil.
- Éteignant l'appareil par le bouton POWER.

# Mode Vacances

Si vous devez vous absenter pendant une période prolongée, vous pouvez commuter l'appareil sur un mode consommant moins d'énergie. Si vous avez activé le mode Vacances :

- L'appareil commute sur la fonction **Eco** (voir la section intitulée "Mode Économie d'énergie"),
- L'éclairage intérieur s'éteint,
- La fonction **Super** prend fin (si vous l'aviez activée).

Pour commuter l'appareil sur le mode Vacances :

- Appuyez sur le bouton VACATION.



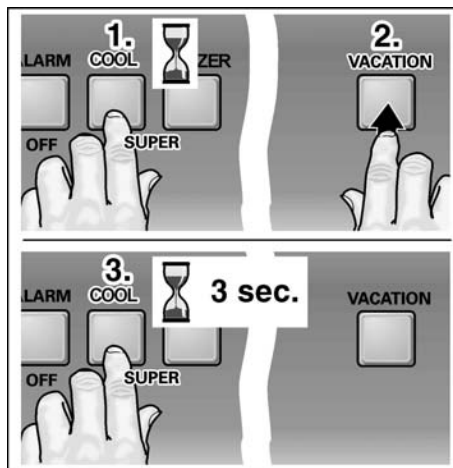
Le symbole **VACANCES (VACATION)** s'affiche. La température préréglée s'affiche à la place de la température requise.

# Mode Sabbat

Lorsque le mode Sabbat est actif :

- La fonction **Super** prend fin (si vous l'aviez activée).
- Le signal sonore de confirmation ne retentit pas (si vous l'aviez activé) lorsque vous appuyez sur le bouton.
- L'éclairage intérieur s'éteint.
- La luminosité du rétro-éclairage diminue.
- Le distributeur de glaçons s'éteint.

Pour activer le mode Sabbat :



- Appuyez sur la touche SUPER COOL et maintenez-la appuyée.
- Appuyez sur le bouton VACATION.
- Maintenez la touche SUPER COOL appuyée pendant 3 secondes supplémentaires. Le symbole **VACATION**, affiché, clignote.



Le rétro-éclairage de l'affichage s'éteint. La mention **SABBAT** s'affiche.

Pour mettre fin au mode Sabbat, appuyez sur le bouton VACATION. L'appareil se sert à nouveau des réglages antérieurement effectués et des températures antérieurement réglées.

# Réfrigération

## Rangement des produits alimentaires :

### - Sur les clayettes :

Gâteaux et pâtisseries, plats précuisinés, produits laitiers, viande et charcuterie.

### - Dans le bac à légumes :

Légumes, salades, fruits

### - En contre-porte (de haut en bas) :

Beurre, fromage, œufs, bouteilles d'un gallon, petites bouteilles, grandes bouteilles, lait, briques de jus de fruits

## Lors du rangement de produits alimentaires dans l'appareil, souvenez-vous de ceci :

- Laissez les boissons et aliments chauds refroidir hors de l'appareil avant de les ranger dedans.
- Emballez ou enveloppez bien les aliments avant de les ranger. Ils conserveront mieux ainsi leur arôme et leur fraîcheur. Cela empêchera aussi les transferts d'odeurs et la décoloration des pièces en plastique.
- Veillez bien à ce que l'huile et la graisse n'entrent jamais en contact avec les pièces en plastique ou avec le joint de la porte.
- Ne conservez les boissons fortement alcoolisées qu'à la verticale dans des récipients hermétiques.



## AVERTISSEMENT



Ne stockez jamais de substances explosives dans l'appareil.  
Risque d'explosion !

### Remarque importante lorsque vous achetez des produits alimentaires :

La "fraîcheur à l'achat" des produits influe de façon importante sur la durée de conservation des produits. La règle suivante est en principe applicable : plus le produit est frais et plus il restera longtemps frais. Lorsque vous achetez des produits alimentaires, notez toujours leur degré de fraîcheur.

## Congélation et rangement

### Rangement de produits congelés



## PRUDENCE



Ne recongelez pas des produits en train de dégeler ou qui ont dégelé. Avant de les recongeler, faites les bouillir ou frire.

Consommez ces produits recongelés assez longtemps avant leur date limite de conservation.

Lorsque vous achetez des produits alimentaires surgelés, respectez bien les instructions suivantes :

- Vérifiez si l'emballage est endommagé.
- Vérifiez la date limite de vente.
- La température du congélateur de supermarché doit être d'au moins 0 °F (-18 °C), ou encore plus basse. Si ce n'est pas le cas, la durée de conservation des produits alimentaires est plus courte.
- Achetez les produits surgelés en dernier. Enveloppez-les dans du papier journal ou placez-les dans un sac isotherme avant de les emporter chez vous.
- Une fois chez vous, rangez les produits surgelés immédiatement dans le compartiment congélateur. Consommez les produits surgelés avant expiration de la date limite de vente.

### Congeler soi-même des aliments

Ne mettez à congeler que des produits frais et non abîmés. Pour les empêcher de perdre leur goût ou de sécher, placez-les dans des récipients hermétiques. Congelez-les le plus rapidement possible.

### Comment emballer correctement les produits alimentaires

- Placez les aliments dans l'emballage.
- Chassez tout l'air de l'emballage.
- Obturez l'emballage de façon hermétique.
- Étiquetez l'emballage en faisant figurer le contenu et la date.

#### Les matériaux suivants ne conviennent pas pour emballer les produits alimentaires :

Papier d'emballage, papier sulfurisé, cellophane, sacs poubelles et sacs de courses déjà utilisés.

#### Les matériaux suivants conviennent pour emballer les produits alimentaires :

Film plastique, film de polyéthylène, feuille d'aluminium et boîtes pour congélateur. Vous pouvez vous procurer ces produits chez votre revendeur.

#### Les matériaux suivants conviennent pour rendre les emballages hermétiques :

Rubans en caoutchouc, clips en plastique, ficelle, ruban adhésif résistant au froid ou assimilés.

- Vous pouvez obturer les sachets et feuilles en polyéthylène au moyen d'un appareil à souder.

## Dégeler les produits congelés

Suivant le type d'aliment et ce à quoi il doit servir, faites-le dégeler :

- à la température ambiante
- dans le réfrigérateur
- dans un four électrique avec/sans ventilateur d'air chaud
- dans un four à micro-ondes.

Aliments	Durée de stockage
<b>Beurre</b>	entre 6 et 9 mois
<b>Lait, crème</b>	
<b>Fromage frais à tartiner</b>	déconseillé
<b>Fromage blanc</b>	
<b>Fromage à pâte dure</b>	entre 4 et 6 mois
<b>Œufs</b>	
frais, en coquille	Ne pas congeler !
les jaunes et blancs crus	entre 9 et 12 mois
<b>Mayonnaise</b>	Ne pas congeler !
<b>Petites saucisses</b>	
emballage ouvert	entre 1 et 2 mois
emballage fermé	entre 1 et 2 mois
<b>Bacon</b>	1 mois
<b>Viande de porc en conserve</b>	entre 1 et 2 mois
<b>Plats précuisinés emballés sous vide, non encore ouverts</b>	entre 3 et 4 mois
<b>Corned beef</b>	1 mois (égoutté)

Aliments	Durée de stockage
<b>Bœuf, veau, agneau, porc</b>	
frais	entre 4 et 12 mois
cuit	entre 2 et 3 mois
<b>Volaille</b>	
fraîche	entre 9 et 12 mois
cuite	entre 4 et 6 mois
<b>Légumes</b>	
Asperges	
Brocoli, petits pois, haricots de Lima, chou-fleur	entre 8 et 10 mois
Carottes, betteraves et turnips, laitue	
Oignons, poivrons	
<b>Fruits</b>	
Pommes	8 mois (cuites)
Abricots, baies, cerises	6 mois
Grappes de raisins	1 mois (entières)
Ananas, en tranches	entre 6 et 12 mois

Source : United States Department of Agriculture, FSIS

## Distributeur de glaçons

Dès que le distributeur de glaçons est descendu à la température de congélation, le moule à glaçons se remplit d'eau. De l'air froid souffle directement sur le moule.

Dès que les glaçons se sont formés, ils tombent dans le bac à glaçons.

Une fois que le bac à glaçons est plein, le distributeur de glaçons s'éteint automatiquement.

Le distributeur peut produire environ 125 glaçons en 24 heures.

### **PRUDENCE**

Ne placez jamais de bouteilles ou d'aliments dans le bac à glaçons pour les refroidir rapidement. Cela risque de bloquer et d'endommager le distributeur de glaçons.

## Allumage du distributeur de glaçons

- ☐ Assurez-vous que le bac à glaçons se trouve bien sous le distributeur et qu'il a été inséré le plus profondément possible.



- ☐ Appuyez sur le bouton ICE (si ce n'était déjà fait).



## Extinction du distributeur de glaçons

- i** Il faut refermer la conduite d'alimentation en eau plusieurs heures avant d'éteindre l'appareil ou le distributeur de glaçons.

Pour éteindre le distributeur de glaçons :

- Appuyez sur le bouton ICE.

## Les glaçons dégagent-ils une odeur inhabituelle ?

La glace est un matériau poreux capable d'absorber les odeurs présentes dans son environnement. Les glaçons qui ont séjourné longtemps dans le bac à glaçons peuvent absorber de telles odeurs, rester collés les uns aux autres et diminuer progressivement de volume.

Nous recommandons de ne plus utiliser de tels glaçons.

Autres méthodes pour prévenir l'apparition d'odeurs :

- Il faudrait nettoyer de temps en temps le bac à glaçons avec de l'eau chaude. Veillez à éteindre le distributeur de glaçons avant de nettoyer le bac. Rincez bien puis essuyez avec un chiffon sec.
- Vérifiez si le congélateur contient des produits alimentaires abîmés ou dont la date de conservation est dépassée. Pour empêcher l'accumulation d'odeurs, il faudrait ranger dans des emballages hermétiques les aliments qui dégagent par nature une odeur.
- Selon le modèle, vous devrez peut-être remplacer le filtre à eau.
- Dans certains cas, il faudra vérifier la qualité du raccordement de l'eau dans la maison.

## Bruits de fonctionnement

### Bruits parfaitement normaux

**Ronflement** - Le groupe frigorifique fonctionne. Les ventilateurs intégrés dans le circuit de circulation d'air fonctionnent.

**Gargouillis, bourdonnements ou clapotis légers** – Le fluide réfrigérant circule dans les tubulures. L'eau afflue dans le distributeur de glaçons.

**Cliquetis sec** – Le moteur s'allume ou s'éteint. L'électrovanne équipant le raccord à eau s'ouvre ou se ferme.

**Léger bruit de chute** – Les glaçons tombent dans le bac à glaçons

### Bruits faciles à supprimer

#### L'appareil n'est pas d'aplomb

Nivelez l'appareil à l'aide d'un niveau à bulle.

Servez-vous des pieds ajustables en hauteur de l'appareil ou placez quelque chose sous les pieds.

#### Les tiroirs, bacs ou clayettes vibrent ou sont coincés

Veillez vérifier si les pièces amovibles sont bien en assise et, si nécessaire, insérez-les à nouveau.

#### Des récipients se touchent

Écartez légèrement les récipients les uns des autres.

## Comment économiser de l'énergie

- Installez l'appareil dans un local sec et aéré ; ne l'exposez pas aux rayons solaires directs et ne le placez pas près d'une source de chaleur (radiateur, cuisinière par exemple). Si nécessaire, utilisez un panneau isolant.
- Laissez les boissons et aliments chauds refroidir avant de les ranger dans l'appareil.
- Pour décongeler les produits alimentaires, rangez-les dans le compartiment réfrigérateur. Leur basse température réfrigère les aliments déjà présents dans ce compartiment.
- Laissez la porte de l'appareil ouverte le moins longtemps possible !

## Dégivrage

L'appareil se dégivre automatiquement.



# Nettoyage de l'appareil

## AVERTISSEMENT

Pour éviter tout choc électrique, lequel peut occasionner des blessures (brûlures!) graves ou la mort, débranchez toujours la fiche mâle de l'appareil avant de le nettoyer. Après le nettoyage, rebranchez la fiche mâle dans la prise de courant.

## AVERTISSEMENT

Pour éviter des dommages corporels ou des dégâts matériels veuillez respecter les instructions suivantes :

- Ne nettoyez pas l'appareil avec un nettoyeur à vapeur.
- Veillez bien à ce que l'eau de nettoyage ne puisse pas pénétrer dans l'éclairage ou sous le panneau de commande.
- N'utilisez pas de détergents abrasifs ou acides ni de solvants car ils pourraient endommager la surface de l'appareil.
- Ne nettoyez jamais les clayettes et les bacs au lave-vaisselle car ces pièces pourraient se déformer.

- Éteignez l'appareil par le bouton POWER ! Débranchez la fiche mâle de la prise de courant ou ramenez le disjoncteur en position éteinte.**
- Nettoyez le joint de la porte avec de l'eau puis séchez-le soigneusement.

- Nettoyez l'appareil avec de l'eau tiède et un peu de produit à vaisselle.

Veillez bien à ce que l'eau de nettoyage ne pénètre pas dans le panneau de commande ou l'éclairage.

- Vérifiez les orifices de ventilation sur le panneau de base. Enlevez les salissures avec un aspirateur.

Après le nettoyage :

- Rebranchez la fiche mâle dans la prise de courant ou renclenchez le disjoncteur. Appuyez ensuite sur le bouton POWER pour allumer l'appareil.

**i** Demandez à votre revendeur de vous conseiller des produits de nettoyage et d'entretien spécialement destinés aux surfaces de l'appareil.

- Essuyez les surfaces de l'appareil avec un essuie-tout humide. Immédiatement après, essuyez à nouveau avec un essuie-tout sec.

# Odeurs

Si l'appareil dégage des odeurs désagréables :

- Éteignez l'appareil par le bouton POWER !**
- Retirez tous les produits alimentaires de l'appareil.
- Nettoyez l'intérieur.
- Voir la section intitulée "Nettoyage de l'appareil".
- Nettoyez soigneusement tous les récipients d'emballage utilisés dans l'appareil.
- Pour empêcher l'apparition d'odeurs, emballez les aliments à odeur forte dans des récipients hermétiques.
- Rallumez l'appareil en appuyant sur le bouton POWER.
- Empilez les produits alimentaires dans l'appareil.
- 24 heures plus tard, vérifiez si les odeurs ont disparu.

# Messages d'avertissement apparus à l'afficheur

Si plusieurs messages d'avertissement s'affichent simultanément, traitez-les individuellement.

Pendant l'affichage d'un message d'avertissement, les boutons sont inopérants.

## Alarme de température (Compartiment congélateur)



Une alarme de température se signale par le clignotement de la température requise et l'allumage du symbole ALARM. Un signal retentit également si vous avez activé la fonction SIGNAL SONORE dans le mode Configuration.

### Cause

- Panne de courant
- Vous avez rangé de grandes quantités d'aliments dans l'appareil.
- Appareil défectueux

### Remède

- Appuyez sur le bouton ALARM. Le signal sonore stoppe. La température la plus élevée qui a régné dans l'appareil s'affiche pendant plusieurs secondes.
- Déterminez la cause de cette alarme due à une température excessive.
- i** Une fois que l'appareil est revenu sur la température requise, le symbole ALARM et le signal sonore s'éteignent.

## Alarme "Porte ouverte"



### Cause

- Une porte de l'appareil n'a pas été refermée correctement ou est restée ouverte trop longtemps.

### Remède

- Fermez la porte. La mention disparaît de l'afficheur.

## Défaut capteur



### Cause

- Présence possible d'un défaut technique.

### Remède

- Soumettez l'appareil à un autodiagnostic.

## Tension trop basse



### Cause

- La tension du secteur est descendue en dessous du seuil inférieur admis.

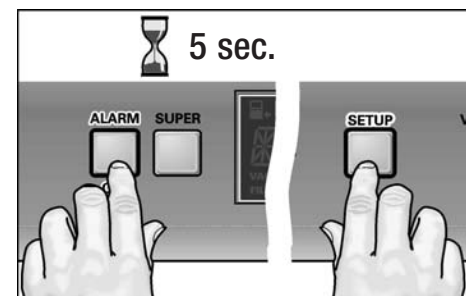
### Remède

Les boutons sont inopérants. Une fois que la tension du secteur est revenue sur la valeur stipulée, le message d'alarme s'éteint. Si ce message reste affiché, prévenez votre compagnie distributrice d'électricité.

# Autodiagnostic de l'appareil

Avant d'appeler le service après-vente, soumettez l'appareil à un autodiagnostic.

- Éteignez l'appareil et attendez 5 minutes. Maintenez les portes fermées.
- Rallumez l'appareil.



- Appuyez simultanément sur les boutons SETUP et ALARM OFF pendant 5 secondes.

L'autodiagnostic commence. Différents messages s'affichent pendant cette opération.

Si pendant l'autodiagnostic l'appareil détecte un défaut, la mention ALARM et un message d'alarme correspondant (concernant un capteur par exemple) s'affiche.

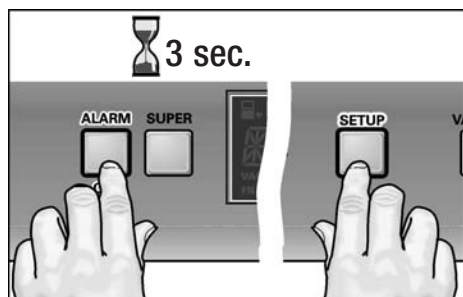


Indiquez ce message d'erreur au service après-vente.

Si l'autodiagnostic ne fait ressortir aucun défaut, la température requise s'affiche à la fin de l'autodiagnostic.

# Remise de l'appareil sur ses réglages usine

Opération recommandée lorsque l'appareil a changé de propriétaire.



- Appuyez simultanément sur les boutons SETUP et ALARM OFF pendant 3 secondes.

Après que l'appareil a été remis sur ses réglages usine :

- L'appareil s'allume s'il se trouvait en position éteinte.
- La fonction **Super** s'éteint.
- Les réglages modifiés en mode Configuration reviennent sur les valeurs qui ont été conférées à la fabrication.

# Filtre à eau

## AVERTISSEMENT

Pour ne pas encourir le risque d'une maladie grave ou un danger de mort, n'utilisez pas d'eau non sûre au plan microbiologique ou chimique, ou dont vous ne connaissez pas la qualité, sans l'avoir soumise à une désinfection ou à un traitement avant de lui faire traverser le filtre ou après le lui avoir fait traverser.

## Remplacement du filtre

## AVERTISSEMENT

- Après avoir installé un filtre à eau neuf, n'utilisez pas les glaçons produits par le distributeur au cours des 24 premières heures de fonctionnement.
- Si vous n'avez pas prélevé de glaçons pendant une période prolongée, jetez tous les glaçons présents dans le bac ainsi que tous ceux produits au cours des 24 heures suivantes.
- Si l'appareil ou les glaçons n'ont pas été utilisés pendant plusieurs semaines ou mois, ou si les glaçons ont un goût ou une odeur désagréable, changez le filtre à eau.
- L'air prisonnier du circuit peut provoquer une éjection de l'eau et de la cartouche. Prudence lorsque vous la retirez.
- Il faudrait changer le filtre au moins tous les 6 mois.

Si la mention suivante s'affiche :



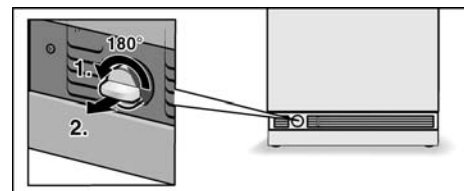
Cela signifie que la durée de vie maximale du filtre est sur le point d'expirer. Veuillez commander un nouveau filtre «UltraClarity».

Pour vous procurer un filtre de rechange «UltraClarity», veuillez contacter votre revendeur local ou appeler le **1-800-578-6890**.

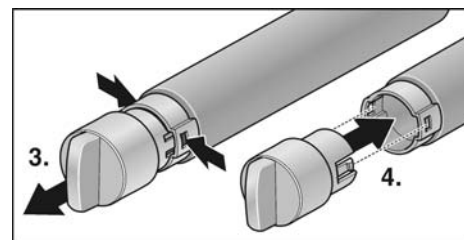
Si la mention suivante s'affiche :



- Il faut changer le filtre immédiatement.



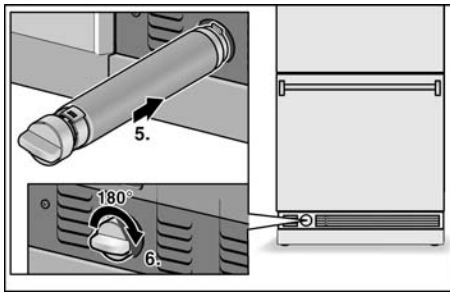
1. Faites tourner le couvercle du filtre de 90° à 180° en sens inverse des aiguilles d'une montre. Ce couvercle se trouve sur le panneau de base.
2. Tirez la cartouche usagée à vous pour la sortir de l'appareil.



3. Retirez le couvercle du filtre usagé.

Retirez la cartouche neuve de son emballage et enlevez la coiffe protectrice.

4. Enfoncez le couvercle sur la cartouche filtrante neuve.



5. Présentez la cartouche filtrante à l'horizontale et poussez-la avec le couvercle complètement dans l'orifice ménagé dans le panneau de base.
6. Imprimez doucement à la cartouche filtrante une rotation de 90–180° dans le sens des aiguilles d'une montre, jusqu'à ce que la saillie du couvercle se retrouve à l'horizontale.

- i** Après avoir changé le filtre, réinitialisez le contenu de l'afficheur relatif au filtre.
- i** Vous pouvez utiliser l'appareil sans filtre à eau «UltraClarity». Si vous choisissez cette solution, remplacez le filtre à eau par une cartouche de substitution. Pour acheter une telle cartouche, veuillez contacter votre revendeur local ou appelez le 1-800-578-6890.

## Réinitialisation de la mention à l'afficheur relative au filtre

- i** Si vous ne réinitialisez pas le contenu de l'afficheur, il ne pourra pas vous indiquer quand le moment est venu de changer à nouveau le filtre.

Après chaque changement de filtre :



- Appuyez simultanément sur les boutons SUPER COOL et ICE pendant 3 secondes.

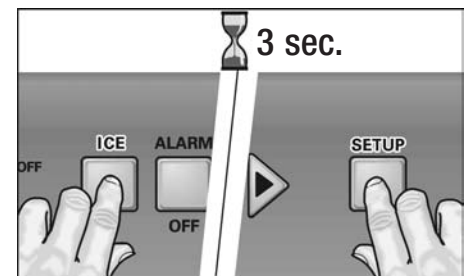
## Désactivation de la mention à l'afficheur relative au filtre

- i** Vous pouvez utiliser l'appareil sans le filtre à eau «UltraClarity». Si vous choisissez cette option, remplacez le filtre à eau par une cartouche substitution. Dans ce cas, vous pouvez désactiver le message relatif au changement de filtre pour empêcher son affichage. Pour acheter une cartouche de substitution du filtre à eau, veuillez contacter votre revendeur local ou appelez le 1-800-578-6890.

**AVERTISSEMENT**

Pour ne pas encourir un risque de maladie grave ou un danger de mort, ne désactivez pas l'affichage de la mention relative au filtre lorsque vous utilisez un filtre «UltraClarity».

Pour désactiver l'affichage de la mention relative au filtre :



- Appuyez simultanément sur les boutons SUPER et ICE pendant 3 secondes.
- i** Pour réactiver l'affichage de la mention relative au filtre, appuyez simultanément sur les boutons SUPER et ICE pendant 3 secondes.

# Filtere à eau – feuilles de données sur le produit

## Performance Data Sheet For Filter Model 9000 077095

Using Replacement Cartridge 9000 077104

Note that while the testing was performed under standard laboratory conditions, actual performance may vary.

This system has been tested according to NSF/ANSI Standards 42 and 53 for the reduction of the substances listed below. The concentration of the indicated substances in water entering the system was reduced to a concentration less than or equal to the permissible limit for water leaving the system, as specified in NSF/ANSI 42 and 53.

System tested and certified by NSF International in Model 9000 077095 against NSF/ANSI Standard 53 for the reduction of Cysts and Turbidity and against Standard NSF/ANSI 42 for the reduction of Chlorine Taste and Odor; Nominal Particulate Class I



to a capacity of 739.68 gallons (2800 liters).

Substance	Average Influent Concentration	Influent Challenge Concentration mg/L	Product Water Concentration	Average % Reduction	Maximum Permissible Product Water Concentration	Max. Effluent	Min. % Reduction	NSF Test
Cysts*	166500	Minimum 50,000/L	1	99.99	99.95	1	99.99	511077-03
Turbidity	10.7	11 ± 1 NTU	0.31	97.10	0.5 NTU	0.49	95.42	511078-03
Particulate Class I Particle size: >0.5 to <1 um	5700000	At least 10,000 particles/ml	30583	99.52	> 85%	69000	98.9	511079-03
Chlorine taste and odor	1.9	2.0 mg/L ± 10%	0.05	97.3	≥50%	0.06	96.84	511081-03

\* Based on the use of *Cryptosporidium parvum* oocysts

Application Guidelines/Water Supply Parameters	
Water pressure	30 - 120 psi (207 - 827 kPa)
Water temperature*	33° F - 100° F (0.6° C - 38° C)
Service flow	0.75 gpm (2.83 lpm)

Systems must be installed and operated in accordance with manufacturer's recommended procedures and guidelines. Change filter at least every 6 - 9 months. Flush new filter for 5 minutes. See warranty card for complete details

Do not use with water that is microbiologically unsafe or of unknown quality without adequate disinfection before or after the system. Systems certified for cyst reduction may be used on disinfected waters that may contain filterable cysts.

Entire System (excluding disposable cartridges) is warranted for a period of one year. Disposable cartridges are warranted for defects in material and workmanship only. Service life of disposable filter cartridges varies with local water conditions and is thus not warranted.

For estimated costs of replacement elements please visit your local appliance dealer or parts distributor.

Manufactured by:

Cuno Engineered Products  
1000 Apollo Road  
Eagan, MN 55121-2240 U.S.A.



# Dérangements et remèdes

Dérangement	Cause possible	Remède
L'appareil ne refroidit pas. L'éclairage intérieur ne fonctionne pas. Aucune mention n'apparaît à l'afficheur.	Panne de courant ; le disjoncteur a disjoncté ; la fiche mâle n'est pas correctement enfoncée dans la prise.	Vérifiez que le secteur est bien sous tension. Réarmez le disjoncteur. Vérifiez que la fiche mâle est bien enfoncée dans la prise du secteur.
Le groupe frigorifique s'allume de plus en plus souvent et pendant une plus longue période.	Vous avez ouvert fréquemment la porte de l'appareil.	N'ouvrez pas la porte inutilement.
	Vous avez rangé de grandes quantités d'aliments dans l'appareil.	Enclenchez la fonction <b>Super</b> .
	Les orifices d'aération ne sont pas dégagés.	Retirez les obstacles et les salissures.
La température régnant dans le compartiment réfrigérateur est trop basse.	Vous avez réglé la température trop basse.	Haussez la température (voir "Réglage de la température")
L'éclairage intérieur ne fonctionne pas.	L'ampoule est défectueuse.	Changez-la (voir "Changement de l'ampoule")
	Le commutateur d'éclairage est coincé.	Vérifiez s'il y a moyen de le décoincer.
L'appareil émet des odeurs.	Vous n'avez pas emballé les aliments à forte odeur dans des récipients hermétiques.	Nettoyez l'appareil. Emballez les aliments à forte odeur dans des récipients hermétiques (voir "Odeurs").

## Distributeur de glaçons

Dérangement	Cause possible	Remède
Apparemment, le distributeur de glaçons ne fonctionne pas.	Le distributeur de glaçons n'est pas raccordé à l'alimentation électrique.	Appelez le service après-vente.
	Le distributeur de glaçons n'est pas alimenté en eau.	Assurez-vous que la conduite d'alimentation en eau est correctement raccordée.
	La température du compartiment congélateur est trop basse.	Vérifiez la température du compartiment congélateur. Si nécessaire, faites-la remonter.
Le distributeur produit des glaçons de petite taille pendant une période prolongée.	D'autres appareils domestiques consommant de l'eau sont en train de fonctionner.	Évitez d'utiliser en même temps le lave-vaisselle, le lave-linge ou la douche.
	Il faut changer le filtre à eau.	Les instructions nécessaires au changement du filtre à eau figurent dans les instructions d'installation ci-jointes.
	L'eau n'a pas la pression correcte.	Vérifiez la pression de l'eau. Elle doit être comprise entre 25 et 120 p.s.i (1.72 et 8.25 bar)
	La vanne à eau installée n'est pas la bonne.	Les vannes auto-taraudeuses et vannes en chevauchement réduisent la pression de l'eau et peuvent finir par bloquer la conduite. <b>Le fabricant décline toute responsabilité des dommages occasionnés aux biens en propriété du fait d'une installation ou d'un raccordement de l'eau incorrects.</b>

Dérangement	Cause possible	Remède
<b>Les glaçons ont une odeur/saveur désagréable.</b>	Les glaçons qui n'ont pas été prélevés pendant longtemps peuvent absorber les odeurs, ce qui altère leur goût.	Jetez les vieux glaçons. Utilisez le distributeur de glaçons plus fréquemment.
	Le bac à glaçons est sale.	Videz-le et nettoyez-le.
	Les emballages non hermétiques présents dans le congélateur communiquent leur particules odorantes/de goût aux glaçons.	Vérifiez si les produits congelés ont été emballés dans des récipients hermétiques.
	Nettoyez l'intérieur de l'appareil	Voir la section «Odeurs».
<b>Le distributeur ne produit pas de glaçons.</b>	Le bac à glaçons ne se trouve pas en position correcte.	Réinsérez le bac à glaçons et faites le glisser jusqu'au fond (voir «Aménagement variable de l'intérieur»).
	La pression de l'eau est trop basse.	Vérifiez la pression de l'eau. Elle doit être comprise entre 25 et 120 p.s.i. (1.72 – 8.25 bar).
	La température du compartiment congélateur est trop basse.	Vérifiez la température du compartiment congélateur. Faites-la redescendre si nécessaire.
	Installation d'une vanne à eau inadéquate.	Les vannes auto-taraudeuses et vannes en chevauchement réduisent la pression de l'eau et peuvent finir par bloquer la conduite. <b>Le fabricant décline toute responsabilité des dommages occasionnés aux biens en propriété du fait d'une installation ou d'un raccordement de l'eau incorrects.</b>
<b>Le distributeur ne produit pas suffisamment de glaçons ou ces derniers sont difformes.</b>	La pression de l'eau est trop basse.	Vérifiez la pression de l'eau. Elle doit être comprise entre 25 et 120 p.s.i. (1.72–8.25 bar).
	La température du compartiment congélateur est trop élevée.	Vérifiez la température du compartiment congélateur. Faites-la redescendre si nécessaire.
	Changez le filtre à eau	Les instructions nécessaires au changement du filtre à eau figurent dans les instructions d'installation ci-jointes.
<b>De la glace se forme dans le flexible d'alimentation du distributeur de glaçons</b>	La pression de l'eau est trop basse.	Vérifiez la pression de l'eau. Elle doit être comprise entre 25 et 120 p.s.i. (1.72–8.25 bar).
	La température du compartiment congélateur est trop élevée.	Vérifiez la température du compartiment congélateur. Faites-la remonter si nécessaire.
<b>De l'eau sort de l'appareil.</b>	La conduite d'eau dans l'appareil est défectueuse.	Appelez immédiatement le service après-vente.
<b>➔ Fermez immédiatement la vanne de fermeture.</b>	La pression de l'eau est trop basse.	La vanne risque de fuir si la pression de l'eau est trop basse. Elle doit être comprise entre 25 et 120 p.s.i. (1.72–8.25 bar).
	La vanne à eau installée n'est pas la bonne.	Les vannes auto-taraudeuses et vannes en chevauchement réduisent la pression de l'eau et peuvent finir par bloquer la conduite. <b>Le fabricant décline toute responsabilité des dommages occasionnés aux biens en propriété du fait d'une installation ou d'un raccordement de l'eau incorrects.</b>

# Changement de l'ampoule

## ⚠ AVERTISSEMENT ⚠

Pour éviter un choc électrique susceptible d'occasionner des blessures (brûlures!) graves ou la mort, débranchez toujours l'appareil du secteur électrique avant d'effectuer des réparations. Après les réparations, remettez l'appareil sous tension.

- ❑ **Éteignez l'appareil par le bouton POWER ! Débranchez la fiche mâle de la prise de courant ou ramenez le disjoncteur en position éteinte.**

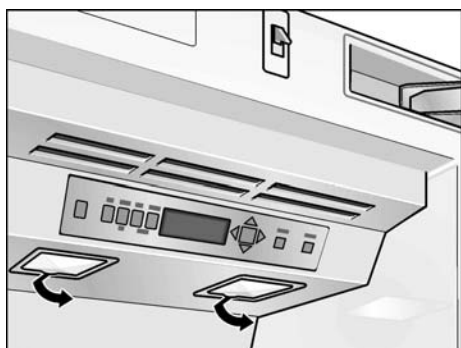
## PRUDENCE

Ne touchez jamais une ampoule halogène avec les mains nues. Saisissez-la toujours à l'aide d'un chiffon doux.

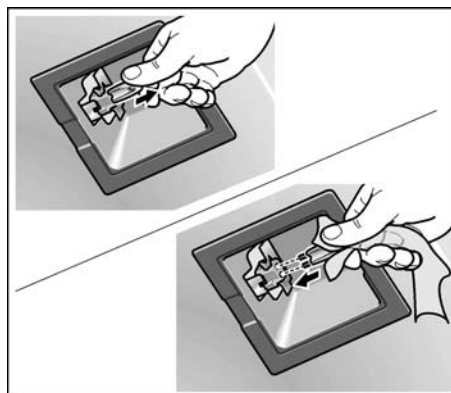
Nous recommandons de confier le changement de l'ampoule à un technicien du service après-vente.

## Ampoules halogènes du haut

Type d'ampoule halogène :  
20 W / 12 V / douille G4



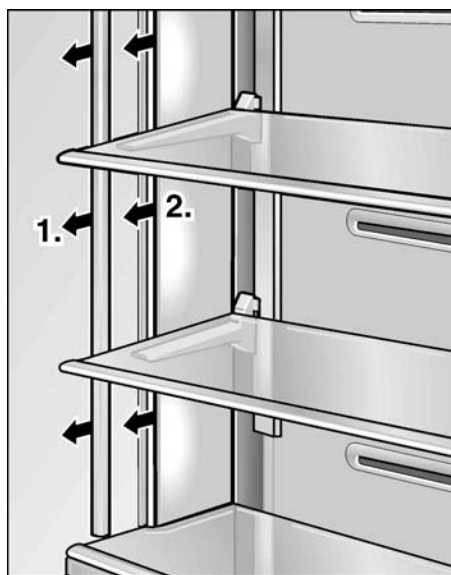
- ❑ Ouvrez le couvercle puis détachez-le du clip.
- ❑ Extrayez l'ampoule halogène défectueuse.



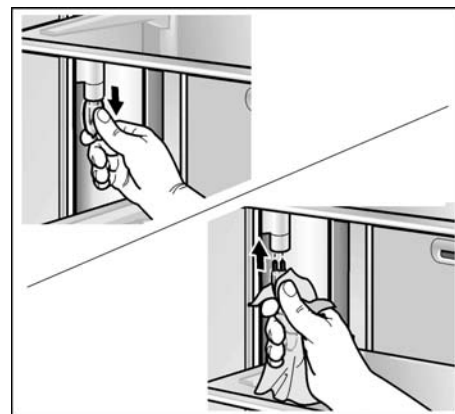
- ❑ Insérez une ampoule halogène neuve. Ne saisissez l'ampoule qu'à l'aide d'un mouchoir doux et sec uniquement.
- ❑ Remettez le couvercle en place et rattachez-le au clip.

## Ampoules halogènes latérales

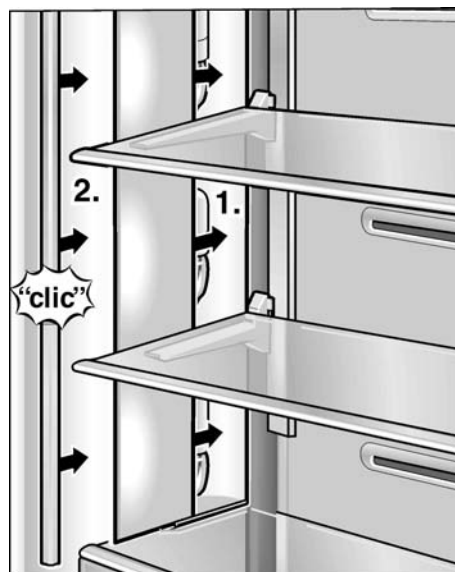
Type d'ampoule halogène :  
10 W / 12 V / douille G4



- ❑ Tirez le rail couvercle à vous.
- ❑ Tirez le disque à vous pour le retirer.
- ❑ Extrayez l'ampoule halogène défectueuse.



- ❑ Insérez une ampoule halogène neuve. Ne touchez l'ampoule halogène neuve qu'à l'aide d'un mouchoir doux et sec uniquement.



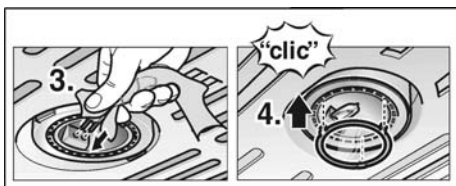
- ❑ Insérez le disque.
- ❑ Insérez le rail couvercle.

## Ampoule halogène dans le tiroir TCD

Type d'ampoule halogène :  
5 W / 12 V / douille G4



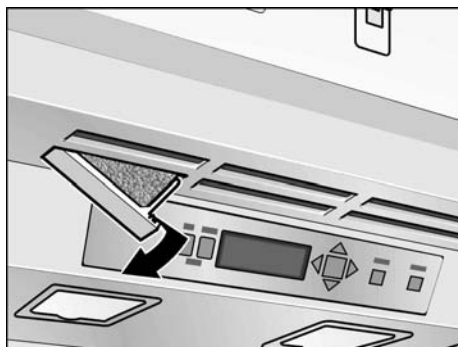
- Ouvrez le couvercle puis détachez-le du clip.
- Extrayez l'ampoule halogène défectueuse.



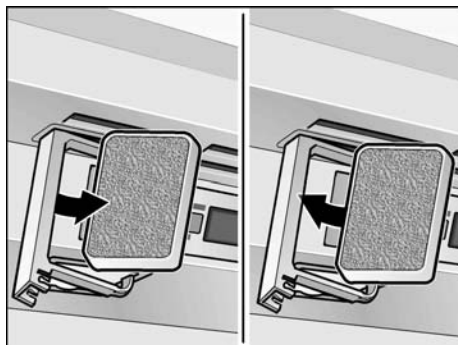
- Insérez une ampoule halogène neuve. Ne saisissez l'ampoule qu'à l'aide d'un mouchoir en papier sec uniquement.
- Remettez le couvercle en place et rattachez-le au clip.

## Changement du filtre à odeurs

- i** Procurez-vous des filtres de rechange auprès de votre revendeur.



- Ouvrez le porte-filtre.



- Extrayez le filtre à odeur usagé.
- Mettez un filtre à odeur neuf en place.



- Fermez le porte-filtre.

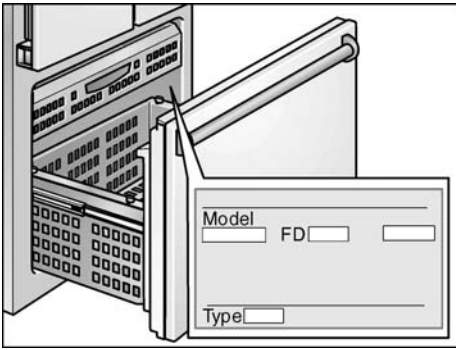
## Service après-vente

Si vous devez recourir au service après-vente, consultez d'abord la section intitulée "Dérangements et remèdes" dans ce manuel. Après avoir vérifié son contenu, vous trouverez une assistance additionnelle en appelant le Thermador Customer Interaction Center **1-800-735-4328** (numéro gratuit) d'un point quelconque des USA.

Au Canada : contactez votre société de service agréée par Thermador ou appelez le **1-800-735-4328**.

Veillez noter séparément les informations suivantes concernant votre congélateur inférieur. Elles vous faciliteront l'obtention d'aide ou la demande d'une intervention du service après-vente si cela devait être nécessaire.

Nom du revendeur :
Adresse:
Numéro de téléphone :
Date d'achat :
Numéro du modèle :
Numéro FD :
Numéro de série :
Type :



Vous devrez indiquer au technicien le numéro complet du modèle et le numéro de série complet.

Vous trouverez ces informations (numéros de modèle et de série) sur la plaque signalétique située contre la paroi intérieure du compartiment réfrigérateur.

## Garantie

### DEUX ANS DE GARANTIE INTÉGRALE

Pendant une période de deux ans à compter de la date d'achat, et à condition que ce réfrigérateur (cartouches de filtre à eau exclues) soit utilisé et entretenu conformément aux instructions fixées contre ou livrées avec le produit, Thermador assumera le coût des pièces de rechange spécifiées par l'usine et les frais de main-d'œuvre nécessaires pour remédier aux vices de matière et de fabrication. Ce service devra être accompli par une société de service désignée par Thermador.

Cartouche de filtre à eau : le filtre à eau bénéficie d'une garantie limitée à 30 jours. Pendant une période de 30 jours à compter de la date d'achat et à condition que ce filtre soit utilisé et entretenu conformément aux instructions fixées contre ou livrées avec le produit, Thermador assumera le coût des pièces de rechange pour remédier aux vices de matière et de fabrication.

### DE LA TROISIÈME À LA SIXIÈME ANNÉE GARANTIE INTÉGRALE SUR LES PIÈCES ÉTANCHES TELLES QU'ÉNUMÉRÉES ET COMPOSANT LE CIRCUIT DE RÉFRIGÉRATION

De la troisième à la sixième année consécutive à la date d'achat et à condition que ce réfrigérateur soit utilisé et entretenu conformément aux instructions fixées contre ou livrées avec lui, Thermador assumera le coût des pièces de rechange spécifiées par l'usine et les frais de main-d'œuvre nécessaires pour remédier aux vices de matière et de fabrication présents dans le circuit étanche de réfrigération.

Énumération des pièces concernées : compresseur, évaporateur, condenseur, sécheur et tubulures de connexion. Ce service devra être accompli par une société de service désignée par Thermador.

### DE LA SEPTIÈME À LA DOUZIÈME ANNÉE GARANTIE LIMITÉE AU CIRCUIT ÉTANCHE DE RÉFRIGÉRATION

De la septième à la douzième année à compter de la date d'achat et à condition que ce réfrigérateur soit utilisé et entretenu conformément aux instructions fixées contre ou livrées lui, Thermador assumera le coût des pièces de rechange spécifiées par l'usine et les frais de main-d'œuvre nécessaires pour remédier aux vices de matière et de fabrication présents dans le circuit étanche de réfrigération. Énumération des pièces concernées : compresseur, évaporateur, condenseur, sécheur et tubulures de connexion.

### Ce que Thermador ne prend pas en charge :

1. Les interventions du service après-vente pour corriger l'installation de votre réfrigérateur, vous montrer comment l'utiliser, remplacer les fusibles/disjoncteurs ou rectifier le câblage électrique ou les fusibles/disjoncteurs, remplacer les ampoules électriques, ou remplacer les filtres à eau autrement qu'indiqué plus haut.
2. Les réparations si votre réfrigérateur a été utilisé à des fins autres que celles propres à un ménage normal composé d'une seule famille.



3. L'enlèvement et la livraison de l'appareil. Votre réfrigérateur a été conçu pour être réparé chez vous.
4. Les dommages imputables à un accident, une modification, un usage à d'autres fins ou un usage abusif, ainsi qu'un incendie, des dégâts des eaux, une installation incorrecte, la force majeure ou l'utilisation de produit non approuvés par Thermador ou Thermador Canada.
5. Toute perte de produits alimentaires ou de médicaments en raison d'un défaut de l'appareil.
6. Réparations de pièces ou de circuits à la suite de modifications non autorisées apportées à l'appareil.
7. L'enlèvement et le remplacement de garnitures ou panneaux décoratifs qui gênent l'accomplissement des travaux de service.
8. Les frais de main-d'œuvre ou de pièces installées par toute société de service non agréée pendant la période de garantie intégrale, sauf si Thermador a donné son accord avant que l'opération de service ne soit accomplie.
9. Au Canada : les frais de déplacement ou de transport dans le cas des clients résidant dans des zones reculées.
10. Tous frais de main-d'œuvre pendant la période de garantie limitée.

**THERMADOR ET THERMADOR CANADA DÉCLINENT TOUTE RESPONSABILITÉ DES DOMMAGES COLLATÉRAUX OU CONSÉCUTIFS.**

Certains États ou Provinces n'admettent pas l'exclusion ou la limitation des dommages collatéraux ou consécutifs, de sorte qu'il se peut que l'exclusion qui précède ne s'applique pas à votre cas. La présente garantie vous octroie des droits légaux spécifiques ; vous détenez peut-être d'autres droits, lesquels peuvent varier d'un État à l'autre ou d'une Province à l'autre.

**Hors des États de l'Union et hors du Canada, la garantie applicable peut différer. Veuillez contacter votre revendeur Thermador agréé pour déterminer si s'applique un autre règlement de garantie.**

Si vous devez recourir au service après-vente, consultez d'abord la section intitulée "Dérangements et remèdes" dans ce manuel. Après avoir vérifié son contenu, vous trouverez une assistance additionnelle dans la section "Assistance ou Service" ou en appelant le Thermador Customer Interaction Center **1-800-735-4328** (numéro gratuit) d'un point quelconque des USA. Au Canada : contactez votre société de service agréée par Thermador ou appelez le **1-800-735-4328**.

**Conservez ce manuel et le dossier de vente pour vous y reporter ultérieurement. Pour que le service sous garantie puisse être accompli, vous devrez fournir une preuve d'achat ou prouver la date d'installation.**



# Índice

INSTRUCCIONES IMPORTANTES DE SEGURIDAD .....	60
FELICITACIONES .....	61
Su nuevo refrigerador .....	62
Instalación .....	64
Conexión a la red de alimentación .....	65
Conexión del agua .....	65
Encendido del electrodoméstico .....	65
Apagado y desconexión del electrodoméstico .....	65
Funciones .....	66
Diseño interior variable .....	66
Panel de control .....	68
Ajuste de la temperatura .....	69
Función Super .....	69
Modo de ajuste .....	70
Ajustes que pueden modificarse en el modo correspondiente .....	71
Modo vacación (Vacation) .....	72
Modo Sabbath .....	72
Enfriado .....	72
Congelado y almacenamiento .....	73
Generador de hielo .....	74
Como economizar energía .....	75
Ruidos durante el funciona- miento .....	75
Descongelado .....	75
Limpieza del electrodoméstico .....	76
Olores .....	76
Mensajes de advertencia visualizados en el display .....	77
Control automático del electrodoméstico .....	77
Ajustes de fábrica .....	78
Filtro de agua .....	78
Búsqueda de fallos .....	81
Cambio de la lamparilla .....	83
Cambio del filtro contra olores .....	84
Servicio técnico .....	84
GARANTÍA .....	85
English .....	3
Français .....	29

# INSTRUCCIONES IMPORTANTES DE SEGURIDAD

## ¡LEA Y GUARDE ESTAS INSTRUCCIONES!

### **Advertencia**

Practique las precauciones básicas de seguridad al utilizar este electrodoméstico, incluyendo las siguientes:

1. Utilice el electrodoméstico exclusivamente para las funciones para las que ha sido previsto, según se describe en este manual para el usuario.
2. Antes de usarlo, este refrigerador debe instalarse adecuadamente de acuerdo con las instrucciones de instalación.
3. No permita que los niños se trepen, cuelguen o se paren sobre los estantes del refrigerador. Pueden lesionarse seriamente y dañar el refrigerador.
4. Una vez en operación, no toque las superficies frías de su refrigerador, especialmente si están húmedas o mojadas. La piel puede adherirse a las superficies extremadamente frías.
5. No almacene o utilice gasolina u otros líquidos que produzcan vapores inflamables en las cercanías de este u otros electrodomésticos.
6. En refrigeradores con producción automática de hielo, evite tocar las partes móviles del mecanismo eyector o bien con el elemento calefactor ubicado en el fondo del dispositivo productor de hielo. No coloque los dedos o las manos sobre el mecanismo productor de hielo mientras el refrigerador esté conectado a la red.

7. No vuelva a congelar alimentos que estuvieron congelados anteriormente y que se han descongelado por completo.
8. Utilice el estante motorizado con cuidado. Hay peligro de contusiones al introducir las manos entre el estante motorizado y la cubierta de evaporador.
9. Desconecte el refrigerador antes de limpiarlo o efectuar reparaciones.  
NOTA: recomendamos insistentemente hacer realizar los trabajos de servicio técnico por personal especializado.
10. Antes de reemplazar una lamparilla quemada, coloque el conmutador de POWER en OFF, a fin de evitar el contacto con un objeto bajo tensión.
11. Una lamparilla quemada puede romperse al intentar cambiarla.  
NOTA: colocar el control de temperatura en OFF no desconecta la tensión del circuito de iluminación.

### **ADVERTENCIA**

#### **Peligro que un niño quede encerrado**

El encerramiento y asfixia de niños no son problemas del pasado. Productos descompuestos o abandonados en el refrigerador, también son peligrosos... Aún si se los abandona "por unos pocos días".

Si usted se quiere deshacer de su refrigerador, rogamos seguir estas instrucciones para evitar accidentes.

Antes de deshacerse de su viejo refrigerador:

- Quite las puertas.
- Deje los estantes en su lugar, para que los niños no puedan trepar al interior.

### **Conexión eléctrica**

El electrodoméstico se entrega con un conductor de alimentación de 3 cables, listado según UL.

El electrodoméstico requiere de un tomacorriente de 3 conductores.

Este tomacorriente debe instalarlo un electricista con la licencia debida.

### **Instrucciones de puesta a tierra**

Este electrodoméstico debe conectarse a tierra.

En caso de un fallo en el funcionamiento o una rotura, la conexión a tierra reduce el riesgo de descargas eléctricas, proveyendo una vía de resistencia menor para la corriente eléctrica.

Una conexión inadecuada del conductor de puesta a tierra puede ser causa de una descarga eléctrica. Haga controlar el electrodoméstico por un electricista calificado o personal del servicio técnico si tiene dudas respecto de una conexión a tierra correcta.

Algunas prescripciones locales pueden exigir un conductor de puesta a tierra separado. En estos casos el cable de puesta a tierra accesorio, la sujeción y el tornillo deben adquirirse por separado.

Nunca conecte a tierra el electrodoméstico a través de tuberías de plástico, de gas o de agua.

## Disposiciones respecto del CFC

Su refrigerador antiguo puede estar equipado con un sistema de refrigeración que utiliza CF (clorofluorcarbon). Se cree que el CFC daña el ozono contenido en la estratosfera.

Si usted se deshace de su refrigerador antiguo, asegúrese que el CF se quite del mismo, para ser tratado de acuerdo con las disposiciones vigentes, por personal debidamente calificado. Si usted libera el agente refrigerador CFC intencionalmente, puede ser objeto de penalidades y prisión por infracciones a la legislación de medio ambiente.

## IMPORTANTE



Guarde estas instrucciones para el uso correspondiente de los inspectores regionales. Observe todas las reglamentaciones y ordenanzas gubernamentales.

**Nota para el instalador** – asegúrese de dejar estas instrucciones a su cliente.

**Nota para el consumidor** – Guarde estas instrucciones junto a su manual del usuario para su uso posterior.

## Definiciones

 <b>ADVERTENCIA</b> 
<b>ADVERTENCIA</b> – Esto señala que hay peligro de muerte o lesiones graves ante el incumplimiento de esta advertencia.

 <b>CUIDADO</b> 
<b>CUIDADO</b> – Esto señala que pueden resultar lesiones menores o daños debido al incumplimiento de esta advertencia.

**i** Este símbolo se utiliza para llamar la atención del usuario respecto de algo en particular.

## FELICITACIONES

Con la compra de ese congelador independiente, usted se ha decidido por un equipo domiciliario moderno y de alta calidad.

Su congelador independiente se distingue por un consumo económico de energía.

Todo electrodoméstico que abandona nuestra fábrica es inspeccionado minuciosamente a fin de garantizar su correcto funcionamiento.

Si usted tiene preguntas, especialmente respecto de la instalación y conexión del electrodoméstico, no dude en ponerse en contacto con nuestro servicio técnico, ver “Servicio técnico”.

Por más información y oferta de nuestros productos, rogamos consultar nuestro sitio en el internet.

Rogamos leer estas instrucciones de funcionamiento y de instalación y toda la información contenida en el electrodoméstico y obrar de acuerdo con ellas.

Guarde todos los documentos para su uso posterior o para el propietario siguiente.

## Información general

El compartimiento de refrigeración de este electrodoméstico está destinado a la refrigeración de alimentos.

El compartimiento de congelación de este electrodoméstico está destinado a:

- almacenar alimentos congelados
- congelar alimentos
- producir hielo.

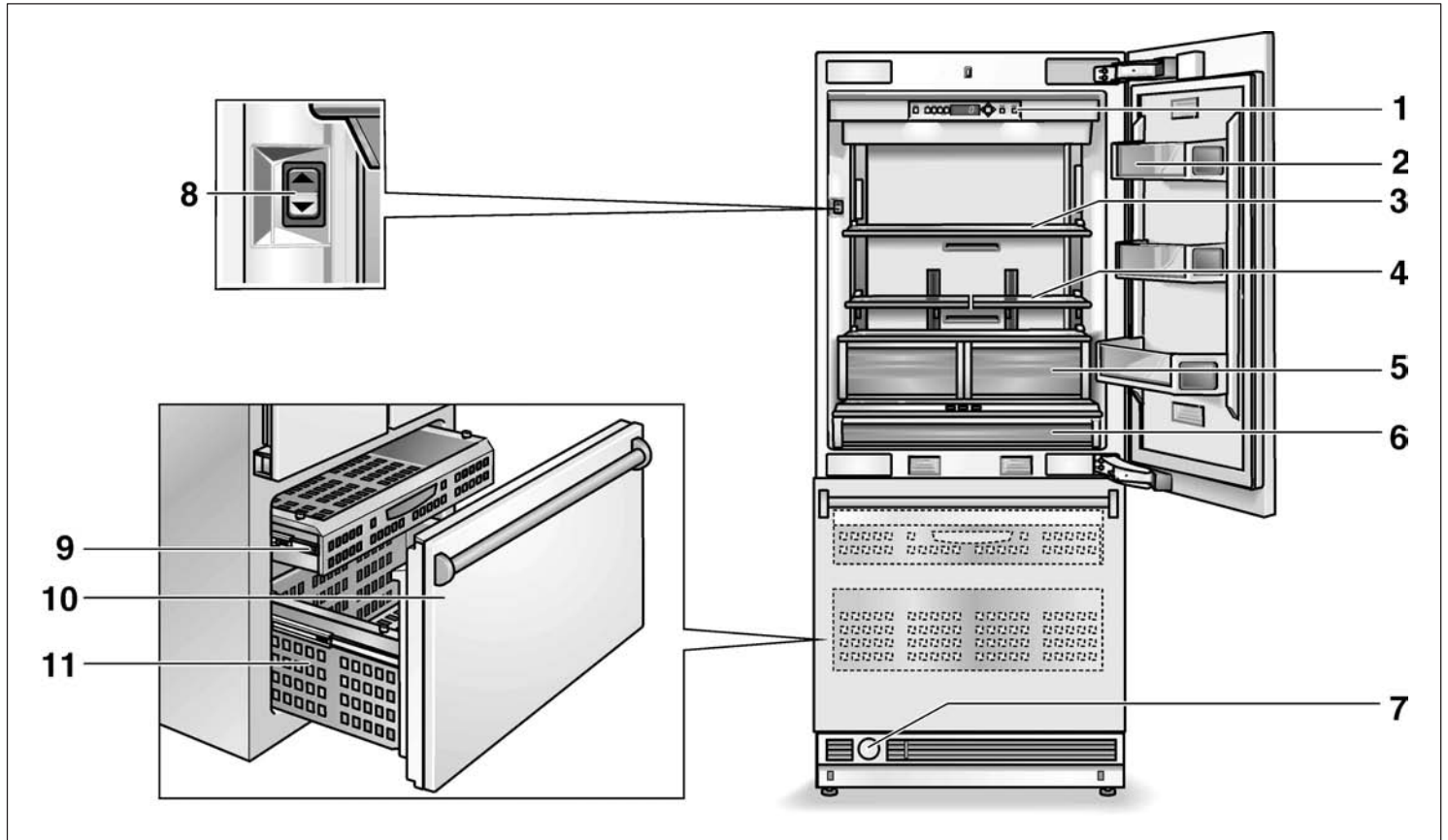
Este electrodoméstico está destinado al uso domiciliario exclusivamente.



# Su nuevo refrigerador

Estas instrucciones de funcionamiento hacen referencia a diversos modelos, mientras que las figuras pueden variar.

## Congelador independiente (2 puertas)



### Compartimento frigorífico

- 1 Panel de control
- 2 Compartimento para quesos, manteca, y objetos diversos, condimentos, botellas, jarros
- 3 Liberty Shelf™ (estante motorizado)
- 4 Conmutador para el estante motorizado
- 5 Compartimientos en la puerta

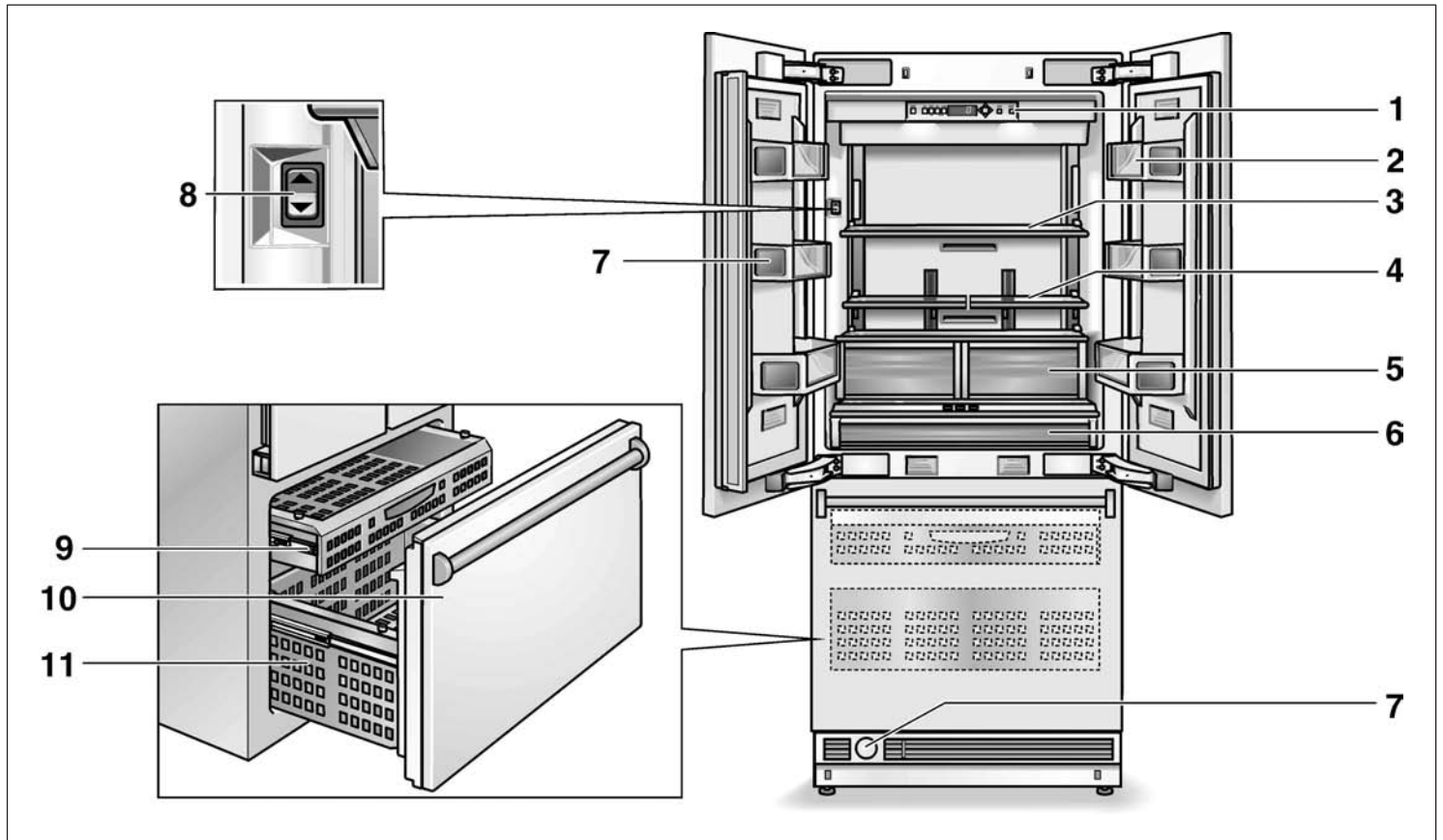
- 6 Estantes de vidrio para almacenar alimentos hervidos, productos lácteos y productos de carne
- 7 Compartimento para garrafas
- 8 Gaveta para verduras
- 9 Gaveta para almacenar dulces y bocadillos

### Compartimento de congelación

- 10 Generador de hielo \*
- 11 Recipiente para cubitos de hielo  
Capacidad máx. 11 lbs/5 kg
- 12 Gaveta congeladora interna
- 13 Cajón puerta para el congelamiento
- 14 Filtro de agua

\* no a la vista

## Congelador independiente (3 puertas)



### Compartimento frigorífico

- 1 Panel de control
- 2 Compartimiento para quesos, manteca, y objetos diversos, condimentos, botellas, jarros
- 3 Liberty Shelf™ (estante motorizado)
- 4 Conmutador para el estante motorizado
- 5 Estantes de vidrio para almacenar alimentos hervidos, productos lácteos y productos de carne
- 6 Compartimiento para garrafas
- 7 Gaveta para verduras
- 8 Gaveta para almacenar dulces y bocadillos
- 9 Compartimientos en la puerta

### Compartimento de congelación

- 10 Generador de hielo \*
- 11 Recipiente para cubitos de hielo  
Capacidad máx. 11 lbs/5 kg
- 12 Gaveta congeladora interna
- 13 Cajón puerta para el congelamiento
- 14 Filtro de agua

\* no a la vista

# Instalación



## ADVERTENCIA



No instale el electrodoméstico:

- a la intemperie,
- en un ambiente donde gotee agua,
- en ambientes con peligro de heladas.

El electrodoméstico es muy pesado. Consulte la tabla siguiente por los pesos sin carga:

Congelador independiente  
(2 puertas, 3 puertas)  
430 lbs / 195 kg

## Sitio para la instalación

El electrodoméstico debe instalarse en un ambiente seco y bien ventilado.

La temperatura del ambiente no debe descender de los 55 °F (13 °C) o aumentar más allá de los 110 °F (43 °C). De lo contrario puede no funcionar correctamente.

El lugar de emplazamiento no debe estar expuesto a la luz solar directa, ni cerca de una fuente de calor como una estufa, radiador, et.

Si es inevitable instalarlo cerca de una fuente de calor, utilice una placa aislante adecuada o asegure una distancia mínima respecto de la fuente de calor:

- 1.2" (3 cm) de un horno eléctrico,
- 12" (30 cm) de un horno a aceite o combustible seco.

## Cavidad de instalación

Es importante observar las dimensiones especificadas para la cavidad de instalación a fin de garantizar una instalación del electrodoméstico sin problemas y para una vista general adecuada del mueble.

En general, debe asegurarse que la cavidad está a escuadra. Esto puede controlarse con herramientas adecuadas, como un nivel de agua, mediciones en diagonal, etc.

## Muebles y adornos

El electrodoméstico se montará seguramente integrándolo con muebles o adornos.

Por esta razón es importante que todos los muebles o adornos que se sujeten estén firmemente montados en la base o en las paredes con elementos adecuados.

## Base

Para asegurar que el electrodoméstico esté firmemente montado y funciones correctamente, la base de apoyo debe ser plana y horizontal.

La base debe ser de material duro y rígido.

La zona de instalación deben presentar la misma altura que el resto del ambiente.

Para dar cuenta del elevado peso del electrodoméstico plenamente cargado, se requiere que la base resista la carga en cuestión.

Para el peso a plena carga, consulte la tabla siguiente:

- Congelador independiente  
(2 puertas, 3 puertas)  
1110 lbs / 500 kg

Si tiene dudas, consulte un arquitecto o un experto en construcción.

## Instalación y conexión del electrodoméstico



## CUIDADO



Haga instalar el electrodoméstico por un electricista de acuerdo con las instrucciones de instalación que forman parte del volumen de entrega.

Una vez instalado el electrodoméstico, espere un mínimo de media hora antes de encenderlo. Durante el transporte puede haberse movido el aceite del sistema de refrigeración.

Antes de encender el electrodoméstico por primera vez, limpie su parte interior.

## Conexión a la red de alimentación



### ADVERTENCIA



#### Peligro de descargas eléctricas

- Conéctelo a un tomacorrientes de 3 conductores con conexión a tierra.
- No desconecte el contacto de toma de tierra.
- No utilice adaptadores.
- No utilice cables de prolongación.

El incumplimiento de estas instrucciones puede ser causa de la muerte, incendios o descargas eléctricas.

La conexión inadecuada de la puesta a tierra del equipo puede causar descargas eléctricas. Haga controlar el electrodoméstico por un electricista calificado o un técnico de servicio si tiene dudas respecto de la correcta conexión a tierra del electrodoméstico.

El electrodoméstico se provee con un cable de alimentación de 3 conductores, listado según UL.

El electrodoméstico necesita de un tomacorriente de 3 conductores.

El tomacorriente debe haber sido instalado por un electricista autorizado.

## Conexión del agua

Se requiere de una conexión de agua fría, para el funcionamiento del generador automático de hielo. La presión del agua debe estar comprendida entre 25 a 120 p.s.i. (1,72 a 8.25 bar).

La instalación debe cumplir con las reglamentaciones de tubería de agua locales y las leyes nacionales correspondientes.

Debe instalarse una válvula de cierre en la conexión de agua del electrodoméstico.

La válvula de cierre no debe encontrarse detrás del electrodoméstico. Se recomienda instalar dicha válvula en la cercanía inmediata del electrodoméstico (unidad base) o en otra zona de fácil acceso.

## Encendido del electrodoméstico

- Presione el pulsador POWER.

Una vez encendido, el electrodoméstico comienza a enfriarse. Si las puertas están abiertas, está encendida la luz interior.

- i** Las temperaturas ajustadas (ajustadas en fábrica) se logran después de 2 a 8 hs. No coloque alimentos en el electrodoméstico inicialmente.

Para cambiar las temperaturas ajustada, -> consulte "Ajustes de temperatura".

## Apagado y desconexión del electrodoméstico

### Apagado del electrodoméstico

- Presione el pulsador POWER.

### Desconexión del electrodoméstico

Si no utiliza el electrodoméstico por un tiempo prolongado:

- Quite todos los alimentos del electrodoméstico.
- Desconecte el enchufe principal o desconecte el fusible.
- Limpie el interior del electrodoméstico (ver "Limpieza del electrodoméstico").
- A fin de evitar olores, deje las puertas abiertas.

# Funciones

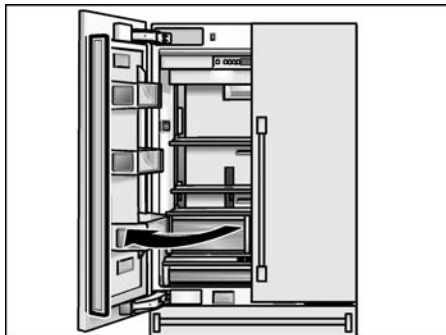
## Alarma de la puerta

Si se deja una de las puertas del electrodoméstico abiertas, suena una alarma después de un minuto.

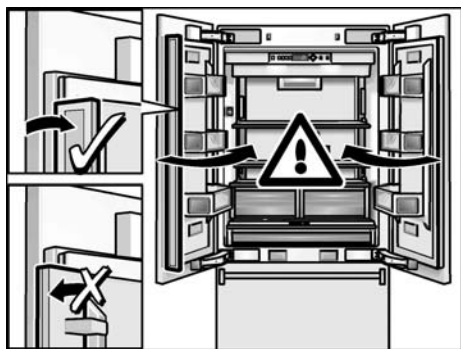
La alarma se anula accionando el **pulsador de apagado de la alarma** y cerrando la puerta.

Si se deje nuevamente la puerta mal cerrada, la alarma volverá a sonar transcurrido un minuto.

## Estilo de puerta francés



La versión de 3 puertas permite abrir la puerta izquierda del compartimiento de refrigeración, sin abrir previamente la puerta derecha.



### Cuidado al cerrar la puerta ¡Pueden dañarse los equipos!

El riel plegable sujeto a la puerta del compartimiento izquierdo del refrigerador debe estar plegado cuando la puerta está cerrada.

En el riel plegable se encuentra integrado un elemento calefactor, para evitar la formación de agua de condensación. Éste debe encenderse en cuanto se observe la formación de humedad sobre el riel.

## Activación y desactivación de la calefacción de la puerta



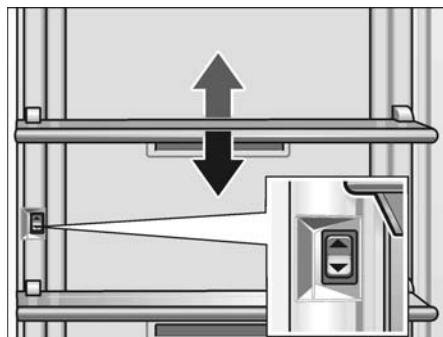
- ❑ Accionar y mantener accionados simultáneamente por 3 segundos, los pulsadores SUPER COOL y ALARM OFF.



El display visualizará el estado vigente.

## Liberty Shelf (estante motorizado)

El electrodoméstico dispone un estante motorizado de altura ajustable.



La altura de este estante puede ajustarse aún cuando está cargado.

- ❑ Presionando el conmutador hacia *arriba*: el estante asciende
- ❑ Presionando el conmutador hacia *abajo*: el estante desciende

- i** La carga máxima del estante motorizado es de 22,1 lbs / 10 kg.

En caso de sobrecargas, el mecanismo se bloquea temporalmente.

# Diseño interior variable

Usted puede reacomodar los estantes en el interior del electrodoméstico y en sus puertas según sus necesidades.

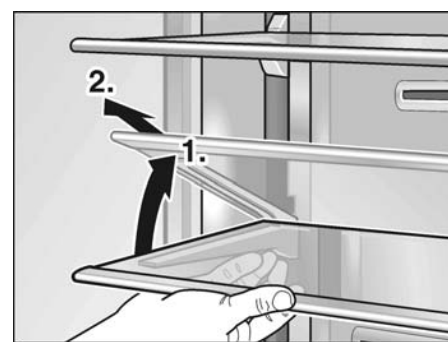
## Estantes de vidrio

Puede ajustarse la altura de los estantes de vidrio.



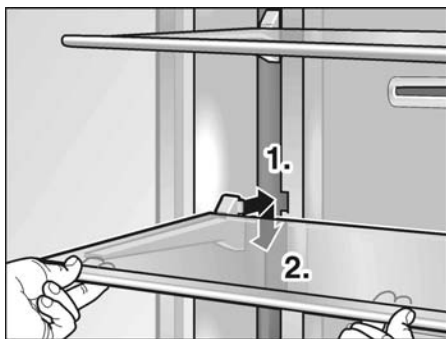
- ❑ Levante la parte anterior del estante, moviéndolo luego hacia arriba o abajo dentro de las guías.
- ❑ Baje el estante a la posición adecuada y trábelo en las aberturas de la guía.

Para extraer los estantes:



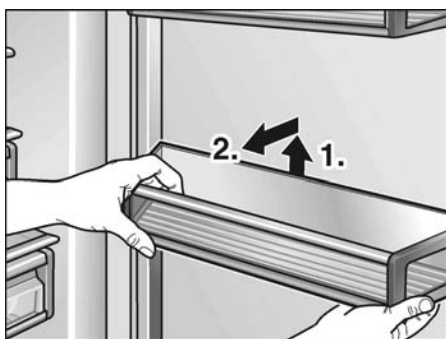
- ❑ Levante la parte anterior del estante y extráigalo de las aberturas de la guía, quitándolo.



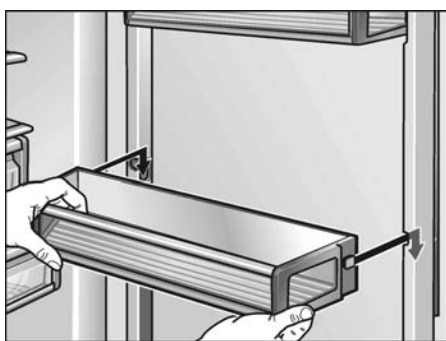


- ❑ Inserte la parte anterior del estante a la altura requerida y presiónelo hacia abajo.

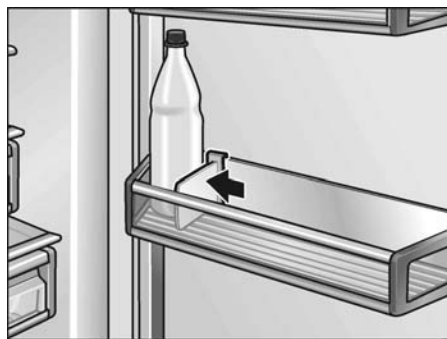
## Compartimientos de las puertas



- ❑ Levante el compartimiento y extráigalo.

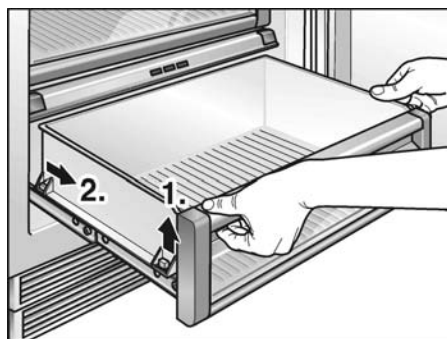


- ❑ Inserte el compartimiento a la altura requerida y presiónelo hacia abajo.

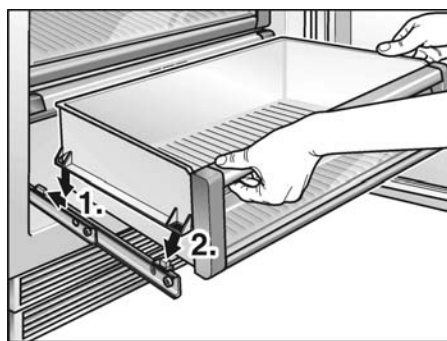


- ❑ Coloque el separador de botellas en la posición deseada del estante para botellas.

## Gavetas



- ❑ Para quitar las gavetas, levántelas levemente y extráigalas.



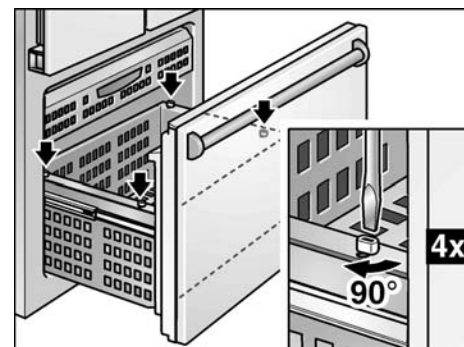
- ❑ Para volver a colocar las gavetas, levante levemente la parte anterior e introdúzcala nuevamente en su sitio.

Mueva la gaveta hacia arriba y desplácela hacia atrás.

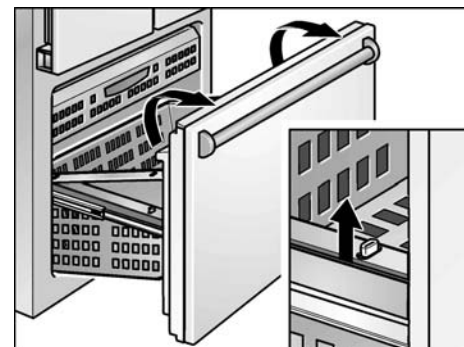
## Compartimento de congelación

Las gavetas que se encuentran en el compartimento de congelación pueden extraerse con facilidad a los fines de su limpieza.

- i** Para poder extraer la gaveta de congelación grande, deberá extraerse primero la gaveta superior.



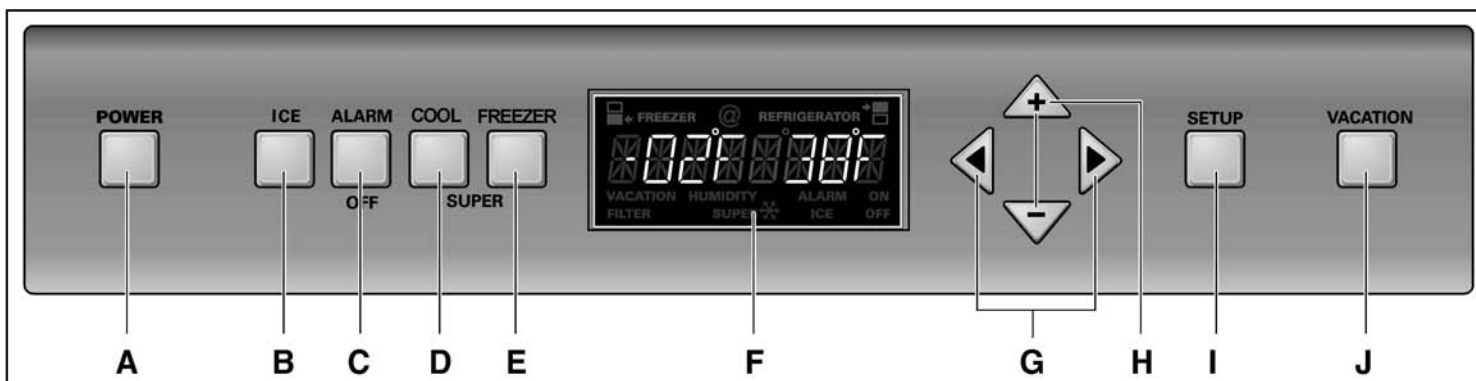
- ❑ Girar en 90 ° las trabas que se encuentran en los cajones mediante un destornillador.



- ❑ Para extraer los cajones, levantarlos levemente y quitarlos.
- ❑ Para volverlos a colocar, levantarlos ligeramente de adelante y deslizarlos al interior de sus alojamientos. Mover el cajón hacia arriba y deslizarlo hacia atrás. Girar las trabas que se encuentran en los cajones en 90 ° mediante un destornillador.

# Panel de control

Para utilizar todas las funciones de su electrodoméstico, recomendamos familiarizarse prolijamente con el panel de control y sus posibles ajustes.



## A Pulsador POWER

Enciende y apaga el electrodoméstico.

### ⚠ ¡ATENCIÓN!

El electrodoméstico no está desconectado de la red si se lo apaga con el pulsador POWER.

## B Pulsador ICE (HIELO)

Activa o desactiva el generador de hielo. Ver también la sección «Generador de hielo».

## C Pulsador ALARM OFF

Desactiva la alarma.

Ver la sección «Alarmas del electrodoméstico».

## C Pulsador SUPER COOL

Activa y desactiva la función SUPER

## D Pulsador SUPER FREEZER

Activa y desactiva la función SUPER  
Ver la sección «Función Super».

## E Display

La temperatura ajustada se visualiza en el display del electrodoméstico.

Las funciones especiales ajustadas, se visualizan a través de símbolos. p. ej. la función SUPER – **SUPER ❄**

En el modo de ajuste, se visualizan los menús y las opciones ajustables en el display.

Ver la sección «Modo de ajuste».

## G Pulsador ◀ ▶

Seleccionan los menús en el modo de ajuste.

Ver la sección «Modo de ajuste».

El ajuste de la temperatura requerida se ejecuta mediante los botones ◀ ▶.

Ver la sección «Ajuste de temperatura».

## H Pulsador + -

Seleccionan los parámetros asequibles del menú.

Ver la sección «Modo de ajuste»

También se cambia la temperatura indicada mediante los botones + y -.

Ver la sección «Ajuste de la temperatura».

## I Pulsador SETUP

Este pulsador inicia y desactiva el modo de ajustes. Si se desactiva el modo de ajuste mediante el pulsador **SETUP**, se almacenan los ajustes realizados.

## J Pulsador VACATION

Activa y desactiva la función VACATION.

Ver la sección «Modo Vacation».

**i** Se da aviso de cada accionamiento de un pulsador a través de una señal sonora, si se ha activado la opción ON en el modo de operación de ajuste, en el menú TONE.

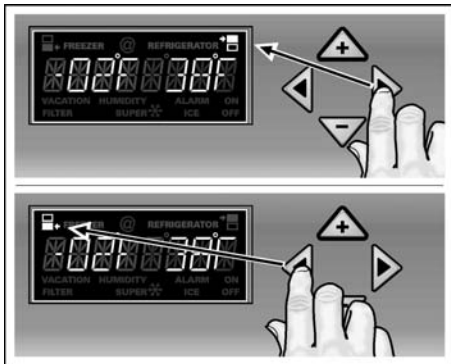
### Símbolos en el display

	Compartimento frigorífico. Ver página 49.
	Compartimento de congelación. Ver página 49.
	La función Super está activada. Ver página 49.
	Opciones de ajuste en el modo de ajuste. Ver página 50.
	La función VACATION está activada. Ver página 51.
	Generador de hielo. Ver página 50.
	Se visualiza una alarma. Ver página 54.
	Se visualiza un mensaje referente al filtro. Ver página 78.

# Ajuste de la temperatura

Para ajustar la temperatura requerida:

- ❑ Activar el modo de ajuste a través de los pulsadores ◀ ◯ ▶.



- ◀ para el compartimento de congelación
- ▶ para el compartimento de refrigeración.

La temperatura puede cambiarse hacia valores mayores mediante el pulsador + (más caliente) o – (más frío). La temperatura puede ajustarse en pasos de 1° F (0.5 °C).

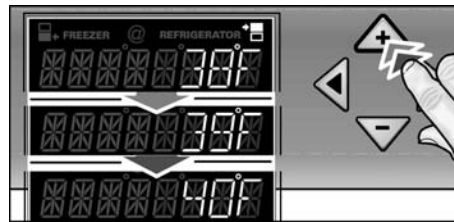
## Compartimento frigorífico

La temperatura puede ajustarse entre los 35 °F y 46 °F (+2 °C a +8 °C).

Recomendamos un ajuste a 39 °F (+4 °C).

Para ajustar la temperatura requerida:

- ❑ Active el modo de ajuste con el pulsador ▶. Se visualiza el símbolo en el display.



- ❑ Ajuste la temperatura requerida mediante los botones + (más caliente) y – (más frío).

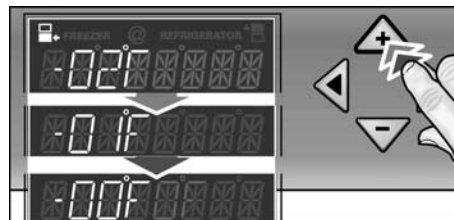
## Compartimento de congelación

La temperatura puede ajustarse entre los 7 °F y –9 °F (+14 °C a –23 °C).

Recomendamos un ajuste a 0 °F (–18 °C).

Para ajustar la temperatura requerida:

- ❑ Active el modo de ajuste con el pulsador ◀. Se visualiza el símbolo en el display.



- ❑ Ajuste la temperatura requerida mediante los botones + (más caliente) y – (más frío).

- ❑ Según el modelo, el electrodoméstico puede apagarse o conmutarse al modo VACATION a través del ajuste de temperatura. Si se ha llegado a la temperatura más alta, se visualiza OFF.

# Función Super

Si está activada la función Super, el electrodoméstico se enfría a una temperatura mínima posible, que está ajustada de fábrica.

- ❑ Después de 50 horas, la temperatura ajustada antes de la congelación ultrarrápida vuelve a ajustarse automáticamente.

La función concluye:

- volviendo a accionar el pulsador SUPER,
- activando la función Eco.
- activando el modo vacación (Vacation).
- activando el modo Sabbath.

## SUPER cooling (refrigeración SUPER)

La función Super se selecciona en caso de desear enfriar rápidamente bebidas o al introducir grandes cantidades de alimentos frescos en el compartimento frigorífico.

La función se activa accionando el pulsador SUPER COOL.



Se visualiza el símbolo **SUPER** ❄️ **REFRIGERATOR** y la temperatura correspondiente en el display.

## SUPER freezing (congelación SUPER)

Con esta función se pueden congelar simultáneamente grandes cantidades de alimentos frescos, debiéndose conectar en función de la cantidad de alimentos que se vayan a congelar, varias horas antes de introducir los alimentos frescos en el compartimento de congelación. En general basta activar dicha opción con 4–6 horas de antelación. Si se desea aprovechar la capacidad máxima de congelación, se necesitarán 24 horas.

La función se activa accionando el pulsador SUPER FREEZER.



Se visualiza el símbolo **SUPER FREEZER** y la temperatura correspondiente en el display.

## Modo de ajuste

Existen diversos menús para ajustar las funciones del electrodoméstico a los requerimientos individuales.

Estos ajustes pueden realizarse en el modo SETUP

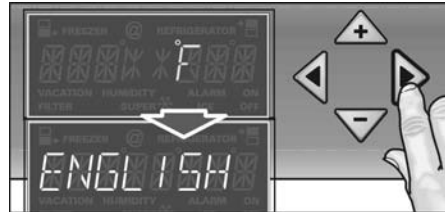
Para activar el modo setup:

- ❑ Presione el pulsador SETUP.



Se visualiza el primer menú (unidades de temperatura).

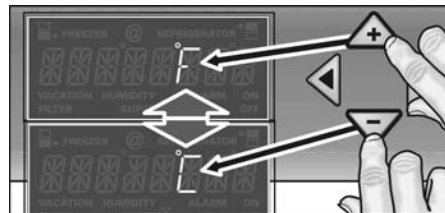
Para conmutar al menú siguiente:



- ❑ Presione el pulsador ◀ o ▶.

Se visualiza el menú siguiente con el ajuste correspondiente (normalmente On/Off).

Para conmutar entre los diferentes ajustes dentro de un menú:



- ❑ Presione el pulsador + o -.

- ❑ Un ajuste modificado se almacena al conmutar el menú siguiente mediante el pulsador ◀ o ▶.

Para finalizar el modo de ajuste:

- ❑ Presione el pulsador SETUP.  
Se almacenan todos los ajustes modificados.
- ❑ Si no se presiona pulsador alguno, el modo de ajuste finaliza automáticamente a los 12 segundos. Se almacenan todos los ajustes modificados. Vuelve a visualizarse la temperatura requerida.



# Ajustes que pueden modificarse en el modo correspondiente

Menú	Ajustes posibles	Texto visualizado
Unidades de temperatura	°F (grados Fahrenheit) °C (grados Celsius)	°F °C
Lenguaje	Inglés Francés	ENGLISH FRANCAIS
Sonido	On Off	TONE
Modo de economización de energía (función ECO)	On Off	ECO MODE

## Unidades de temperatura

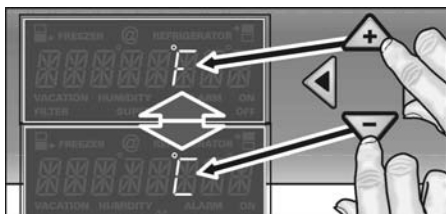
La temperatura puede visualizarse en grados Fahrenheit (°F) o grados Celsius (°C).

- Presione el pulsador SETUP.



Se visualiza el primer menú (unidad de temperatura).

- Presione el pulsador + o - para cambiar de grados Fahrenheit (°F) y grados Celsius (°C).



- Presione el pulsador SETUP para almacenar el ajuste.

## Ajuste del idioma

Después del primer encendido del electrodoméstico, los mensajes de error y de las indicaciones en el modo de ajuste (SETUP) se visualizan en inglés.

De modo alternativo, estos mensajes pueden visualizarse en francés.

- Conmute al modo de ajuste.
- Presione el pulsador ► hasta que aparece "English" en el display.



- Presione el pulsador + o - para conmutar al francés.
- Presione el pulsador SETUP para almacenar el ajuste.

## Modo de bajo consumo de energía

Si está activada la función de ahorro de energía (Eco), el electrodoméstico conmuta a un modo de ahorro de energía.

Este modo ajustado en fábrica, presenta una comportamiento energético más favorable. También la luz de fondo se reduce en este caso.

El modo de ahorro de energía se activa en el modo de ajuste.



- Presione el pulsador + o - para activarlo o desactivarlo.
- Presione el pulsador SETUP para almacenar el ajuste.

Se visualizará **ECONOMY**.





La función deja de estar activa cuando:

- se la desactiva la función **Eco** en el modo de ajuste,
- activando la función **Super**,
- cambiando la temperatura deseada en el electrodoméstico,
- apagando el electrodoméstico mediante el pulsador POWER.

## Modo vacación (Vacation)

Si usted está ausente por un tiempo prolongado, puede conmutar al electrodoméstico a un modo energético más favorable.

Si está activo el modo vacación (Vacation)

- el electrodoméstico conmuta a la función **Eco** (ver la sección “Modo de bajo consumo de energía”),
- la luz interior se apaga,
- la función **Super** se desactiva (de estar activa).



Para conmutar el modo vacación:

- ❑ Presione el pulsador VACATION. Se visualiza el símbolo correspondiente.

En vez de la temperatura requerida, se visualiza la temperatura preajustada para este modo.

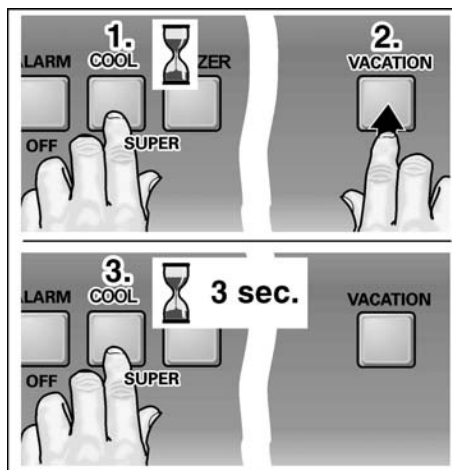
Para cancelar el modo vacación, presione el pulsador VACATION. Vuelven a visualizarse los ajustes y la temperatura previos.

## Modo Sabbath

Si está activo el modo Sabbath

- concluye la función **Super** (se estaba activa),
- se desactiva la señal de confirmación si se presionad un pulsador (se estaba activa),
- la luz interior se apaga,
- la luz de fondo del display se reduce.

Para conmutar el modo Sabbath:



- ❑ Accionar y mantener en esta posición, el pulsador SUPER COOL (1.).
- ❑ Presione el pulsador VACATION (2.).
- ❑ Mantener accionada el pulsador SUPER COOL, durante 3 segundos (3.).



Se apaga la iluminación de fondo del display y se visualizará **SABBATH**.

Para cancelar el modo Sabbath, presione el pulsador VACATION. Volverán a utilizarse los ajustes y la temperatura anterior.

## Enfriado

### Acomode los alimentos como sigue:

- **Sobre los estantes:**  
Pasteles, biscochos, comidas ya preparadas, productos lácteos, carne y salsas
- **En las gavetas para verduras:**  
Verduras, lechuga, frutas
- **En la puerta** (de arriba hacia abajo):  
Manteca, quesos, huevos, garrafas, botellas pequeñas, botellas grandes, leche, jugos en caja.

### Cuando quiere colocar alimentos en el electrodoméstico rogamos tener en cuenta:

- Deje enfriar alimentos y bebidas calientes fuera del electrodoméstico.
- Coloque los alimentos en el electrodoméstico empacados o envueltos. De esta manera se conservan la frescura y el sabor. También prevendrá que las partes de material plástico adopten los olores y se decoloren.
- No permita que aceites o grasas entren en contacto con las piezas de material plástico o con la junta de la puerta.
- Almacene líquidos de alto contenido alcohólico únicamente en recipientes herméticos.



## ADVERTENCIA



No almacene sustancias explosivas en el electrodoméstico. ¡Existe peligro de explosión!

### Quando compre alimentos, rogamos tener en cuenta.

Para la conservación, es importante la “frescura en el momento de compra”. En principio puede aplicarse la siguiente regla: Cuanto más frescos los alimentos, más tiempo se conservarán. Controle siempre la frescura de los alimentos en el momento de compra.

## Congelado y almacenamiento

### Almacenamiento de productos congelados



## CUIDADO



No vuelva a congelar producto que se encuentran en el proceso de descongelamiento o ya descongelados. Hierva o frite los productos antes de volverlos a congelar.

No congele los productos tratados de este modo por el período de tiempo máximo permitido para la especie en cuestión.

Si compra productos congelados:

- controle si está dañado el embalaje.
- Controle la fecha de vencimiento.
- La temperatura del congelador en el supermercado debe haber sido inferior a los 0° F (-18°C). Si así no fuera, se reduce la durabilidad del producto congelado.
- Compre los alimentos congelados al último. Envuélvalos en papel de periódico o colóquelos en una bolsa térmica para llevarlos a su domicilio.
- Llegado a su domicilio, coloque los productos congelados inmediatamente en el congelador. Consuma los productos antes que caduque la fecha de vencimiento.

### Congele alimentos usted mismo

Congele exclusivamente alimentos frescos y sin daños. Para evitar que los alimentos pierdan su sabor o se sequen, colóquelos en recipientes herméticos. Los alimentos debe congelarse a estado sólido a la brevedad posible.

### Como envolver los alimentos correctamente

- Coloque el alimento en el envoltorio.
- Presione el envoltorio hasta evacuar todo el aire del mismo.
- Cierre herméticamente el envoltorio.
- Identifique el envoltorio especificando contenido y fecha de congelamiento.

### Los productos siguientes son inadecuados para envoltorio:

Papel para envolver, papel que rechaza las grasas, celofán, cajas usadas, y cajas usadas para hacer compras.

### Los productos siguientes son adecuados para envoltorio:

Lámina plástica, láminas de polietileno, láminas de aluminio, recipientes para congelador. Estos productos puede adquirirlos en su vendedor.

### Los productos siguientes son adecuados para sellar los alimentos envueltos:

Bandas de goma, clips plásticos, cuerdas, cintas adhesivas que resisten el frío o similares.

- Los sacos de polietileno pueden láminas selladoras.

## Descongelando alimentos congelados

Dependiendo del tipo y propósito del alimento, descongele:

- a temperatura ambiente,
- en el refrigerador,
- en un horno eléctrico con o sin circulación de aire,
- en el horno de microondas.

Alimentos	Tiempo de almacenamiento
<b>Manteca</b>	6 a 9 meses
<b>Leche y crema</b>	
<b>Queso cremoso</b>	No se recomienda
<b>Queso serrano</b>	
<b>Queso duro</b>	4 a 6 meses
<b>Huevos</b>	
Frescos, con cáscara	¡No congelar!
Yemas y claras crudas	9 a 12 meses
<b>Mayonesa</b>	¡No congelar!
<b>Chorizo</b>	
Abierto	1 a 2 meses
Cerrado	1 a 2 meses
<b>Tocino</b>	1 mes
<b>Carnes</b>	1 a 2 meses
<b>Comidas envasadas al vacío (cerradas)</b>	3 a 4 meses
<b>Corned Beef</b>	1 mes (seco)
<b>Carne vacuna, ternera, oveja o porcina</b>	
Fresca	4 a 12 meses
Cocida	2 a 3 meses
<b>Aves</b>	
Frescas	9 a 12 meses
Cocidas	4 a 6 meses

Alimentos	Tiempo de almacenamiento
<b>Verduras</b>	
Espárragos	
Brócoli, arvejas, habas, coliflor	8 a 10 meses
Zanahorias, remolachas, lechugas	
Cebollas, pimientas	
<b>Frutas</b>	
Manzanas	8 meses (cocidas)
Damascos, bayas, guindas	6 meses
Uvas	1 mes (todas)
Ananás, cortada	6 a 12 meses
Fuente: United States Department of Agriculture, FSIS	

## Generador de hielo

En cuanto el congelador se ha enfriado a la temperatura de congelamiento, la bandeja para cubitos de hielo se llena de agua. Ahora circula aire frío directamente sobre la bandeja.

En cuanto se ha congelado, los cubitos de hielos caen al recipiente correspondiente.

Cuando el recipiente para cubitos de hielo se ha llenado, el generador de hielo se desactiva automáticamente.

El generador de hielo puede producir aprox. 100 cubitos de hielo en 24 horas.

### ⚠ CUIDADO ⚠

No coloque botellas o alimentos para un enfriado rápido en el recipiente para cubitos de hielo. El generador se bloqueará y puede dañarse.

## Activando el generador de hielo

- ❑ Asegure que el recipiente para cubitos de hielo se encuentre debajo del generador de hielo y se lo haya introducido hasta donde sea posible.



- ❑ Presione el pulsador ICE (si no está activado).

## Desactivando el generador de hielo

**i** La tubería de alimentación de agua debe cerrarse varias horas antes que el electrodoméstico o el generador de hielo se apague o desactive respectivamente.

Para desactivar el generador de hielo:

**□** Presione el pulsador ICE.

## ¿Tienen los cubitos de hielo un olor inusual?

El hielo es un material poroso que puede absorber los olores del medio ambiente. Los cubitos de hielo que se encuentran por un tiempo prolongado en el recipiente correspondiente, pueden absorber estos olores, pegarse uno con otro, achicándose lentamente.

Recomendamos no usar estos cubitos de hielo.

Otras ideas para prevenir olores:

- El recipiente para cubitos de hielo debe lavarse de vez en cuando con agua caliente. Asegurar que el generador de hielo esté desactivado antes de proceder a la limpieza del recipiente para cubitos. Aclárelo y séquelo.
- Controle el contenido del congelador para localizar alimentos descompuestos o con la fecha de durabilidad vencida. Todos los alimentos olorosos deben envolverse prolijamente o almacenárselos en recipientes herméticos, a fin de evitar la formación de olores.
- En algunos modelos deberá cambiarse el filtro de agua.
- En algunos casos es conveniente controlar la conexión de agua de la casa.

## Como economizar energía

- Instale el electrodoméstico en un ambiente seco y bien ventilado. No lo exponga a la luz solar directa ni a la radiación de una fuente de calor (p. ej. radiador u horno). Si hace falta, utilice placas aislantes.
- Permita que los alimentos o bebidas calientes, se enfríen antes de colocarlos en el electrodoméstico.
- Descongele alimentos congelados, colocándolos en el refrigerador. La baja temperatura de los alimentos congelados, enfriará los alimentos contenidos en los compartimientos.
- ¡Abra la puerta del refrigerador tan poco tiempo como sea posible!

## Ruidos durante el funcionamiento

### Ruidos normales

**Zumbido** – la unidad refrigeradora está funcionando. El ventilador en el sistema de circulación de aire está en marcha.

**Ruidos de burbujeo, gorgoteo, borboteo** – el refrigerante se mueve a través de los tubos. El agua corre dentro del generador de hielo.

**Cliqueo** – el motor arranca o se para. La válvula solenoide de la conexión de agua se abre o se cierra.

**Traqueteo** – los cubitos caen en el recipiente correspondiente.

### Ruidos que pueden eliminarse con facilidad

**El electrodoméstico no está correctamente nivelado**

Nivele el electrodoméstico mediante un nivel de agua.

Utilice las patas ajustables, o coloque algún objeto debajo de las mismas.

**Las gavetas, cestas o zonas de almacenamiento oscilan o golpean.**

Controle las partes móviles y reinsértelas.

**Los recipientes se tocan mutuamente**

Desplace botellas o contenedores para que no se toquen.

# Descongelado

El electrodoméstico se descongela automáticamente.

# Limpieza del electrodoméstico



## ADVERTENCIA



Para evitar descargas eléctricas que pueden causar lesiones serias o aún la muerte, desconecte el electrodoméstico antes de limpiarlo. Una vez limpio, vuelva a conectarlo.



## ADVERTENCIA



Para evitar lesiones personales o daños materiales, tenga en cuenta lo siguiente:

- No limpie el electrodoméstico con un limpiador a vapor.
- No deje gotear el agua de la limpieza sobre la luz o el panel de control.
- No utilice agentes de limpieza abrasivos o ácidos que puedan dañar las superficies del electrodoméstico.
- Nunca limpie los estantes y gavetas en el lavavajillas. Pueden deformarse.

- ❑ ¡Apague el electrodoméstico a través del pulsador POWER! Desconecte el enchufe o corte el fusible.


- ❑ Limpie la junta de la puerta con agua limpia, secándola con prolijidad.
- ❑ Limpie el electrodoméstico con agua tibia y un poco de solvente lavavajillas.

No permita que el agua de la limpieza gotee sobre la luz o el panel de control.

- ❑ Controle las aberturas de ventilación en la base. Elimine la suciedad mediante una aspiradora.

Después de la limpieza:

- ❑ Vuelva a conectar el enchufe o conecte el fusible. Encienda el electrodoméstico con el pulsador POWER.

 Su proveedor le proveerá información respecto de la limpieza y cuidado de su electrodoméstico.

- ❑ Friegue las superficies del electrodoméstico mediante un paño húmedo.

Friéguelo a continuación con un paño seco.

# Olores

Si el electrodoméstico emite olores desagradables:

- ❑ **¡Apague el electrodoméstico a través del pulsador POWER!**
- ❑ Quite todos los alimentos del interior del electrodoméstico.
- ❑ Limpie el interior.  
Ver la sección “Limpieza del electrodoméstico”.
- ❑ Limpie prolijamente todos los recipientes usados en el electrodoméstico.
- ❑ Encierre alimentos que emitan olores fuertes en recipientes herméticos, para evitar la formación de olores.
- ❑ Vuelva a encender el electrodoméstico a través del pulsador POWER.
- ❑ Guarde los alimentos en el electrodoméstico.
- ❑ Controle después de 24 horas si los olores han desaparecido.



## Mensajes de advertencia visualizados en el display

Si aparecen varios mensajes de advertencia simultáneamente en el display, trate a cada uno por separado.

Mientras aparecen mensajes de advertencia en el display, no pueden operarse los botones.

## Alarma de puerta



### Causa

- La puerta de un electrodoméstico no fue cerrada correctamente, o bien estuvo abierta por demasiado tiempo.

### Solución:

- Cierre la puerta.  
El display se apagará.

## Fallo de sensor



### Causa

- Puede ser un defecto técnico.

### Solución

- Efectúe un autocontrol del electrodoméstico.

## Bajo voltaje



Se ha apagado la luz del display.

### Causa

- El voltaje de alimentación ha descendido por debajo de los niveles permitidos.

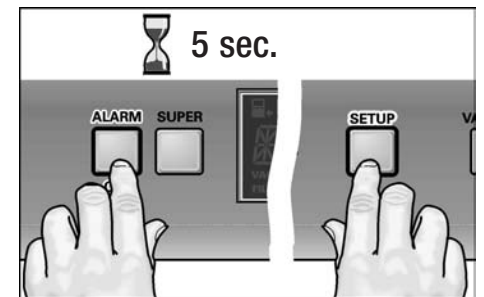
### Solución

¡Los botones no pueden accionarse! Si el voltaje vuelve a sus valores normales, el mensaje de advertencia se eliminará. Si el mensaje permanece visible por mucho tiempo, comuníquese con su proveedor de energía.

## Control automático del electrodoméstico

Antes de llamar al servicio técnico, efectúe un control automático del electrodoméstico.

- Apague el electrodoméstico y espere 5 minutos. Mantenga la puerta cerrada.
- Encienda el electrodoméstico.



- Mantenga presionados simultáneamente los botones SETUP y ALARM OFF durante 5 segundos.

El control automático comienza. Se visualizan sucesivamente diversos mensajes en el display.

Si se detecta un fallo, se visualizan en el display, el símbolo de ALARMA y un mensaje de error correspondiente, pe. Ej. de un sensor defectuoso.

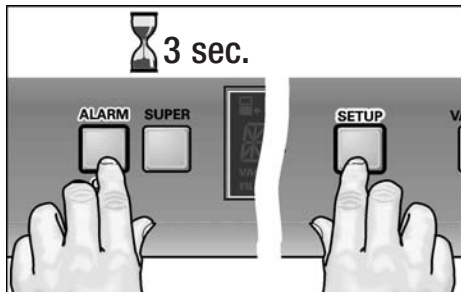


Informe a su servicio técnico respecto del mensaje de error.

Si el control automático no arroja resultado de fallo alguno, la temperatura requerida se visualiza en el display, una vez concluido el control.

## Ajustes de fábrica

Se recomienda después de un cambio de propietario.



- ❑ Mantenga presionados simultáneamente los pulsadores SETUP y ALARM OFF por 3 segundos.

Cuando se ha regresado a los ajustes de fábrica:

- un electrodoméstico apagado se enciende,
- la función **Super** se desactiva,
- los ajustes efectuados asumen los valores de fábrica.

## Filtro de agua



### ADVERTENCIA



A fin de evitar enfermedades graves o aún la muerte, no utilice agua microbiológicamente o químicamente insegura o bien de calidad desconocida sin una desinfección adecuada o tratamiento similar antes o después de usar el filtro.

## Cambio del filtro



### ADVERTENCIA



- Una vez que cambie el filtro, descarte la producción de hielo de las primeras 24 horas posteriores a la operación de cambio.
- Si el hielo no ha sido usada por un tiempo prolongado, descarte todos los cubitos de hielo que se encuentran en el recipiente correspondiente y también aquellos que se produzcan en las primeras 24 hs posteriores.
- Si el electrodoméstico o el hielo no fueron utilizados por varias semanas o meses, o bien si los cubitos de hielo tienen un gusto o olor desagradables, cambie el filtro.
- El aire atrapado en el sistema puede causar la eyección violenta del agua o del elemento filtrante. Sea cauteloso cuando proceda al desarmado.
- El filtro debe cambiarse como mínimo cada 6 meses.

Si se visualiza el símbolo siguiente en el display:

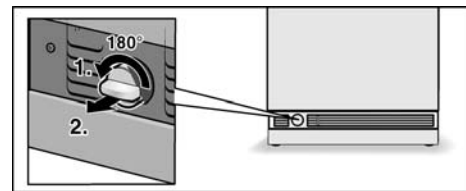


El filtro ha alcanzado su vida útil máxima. Encargue un filtro de agua «UltraClarity» nuevo.

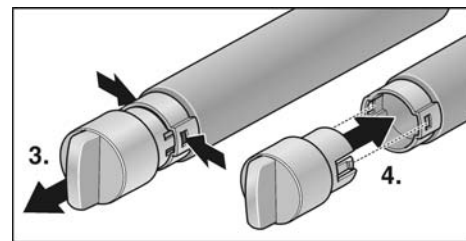
Para adquirir un filtro de agua de recambio «UltraClarity». Póngase en contacto con su vendedor local, o llame al **1-800-578-6890**.



- El filtro debe cambiarse inmediatamente en este caso.

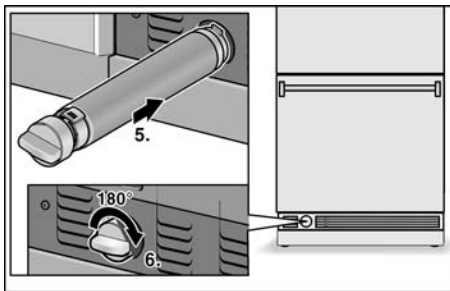


1. Gire la cobertura del filtro en el panel base en 90 a 180° en sentido antihorario.
2. Tire del elemento filtrante para extraerlo del electrodoméstico.



3. Quite la capa del filtro usado. Extraiga un elemento filtrante nuevo de su embalaje y quite la capa de protección.

4. Coloque la capa sobre el elemento filtrante nuevo.



5. Empuje el elemento filtrante en posición horizontal totalmente dentro de la abertura en el panel base.
6. Gire el elemento filtrante cuidadosamente de 90 a 180 ° en sentido horario hasta que la capa quede en posición horizontal.

**i** Después de un cambio de filtro, efectúe un reajuste del display.

**i** El electrodoméstico puede utilizarse sin el filtro de agua «UltraClarity». Si usted elige esta opción, reemplace el filtro de agua por un elemento filtrante alternativo.  
Para adquirir un filtro de agua alternativo, póngase en contacto con su vendedor local, o llame al 1-800-578-6890.

## Reajuste del display

**i** Si no se reajusta el display del filtro, no se puede visualizar correctamente el cambio de filtro siguiente.



Después de cada cambio de filtro:

- Mantenga presionados los pulsadores SUPER y ICE simultáneamente por un tiempo de 3 segundos.

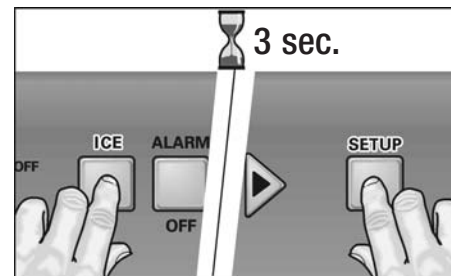
## Desactivando el display del filtro

**i** El electrodoméstico puede utilizarse sin el filtro de agua «UltraClarity». Si usted elige esta opción, reemplace el filtro de agua por un elemento filtrante alternativo.

En este caso debe desactivarse la visualización de los cambios de filtro en el display.

Para adquirir un filtro de agua alternativo, póngase en contacto con su vendedor local, o llame al 1-800-578-6890.

Para desactivar el display del filtro:



- Mantenga presionados los pulsadores SUPER y ICE simultáneamente por un tiempo de 3 segundos.

**i** Para reactivar el display del filtro, mantenga presionados los pulsadores SUPER y ICE simultáneamente por un tiempo de 3 segundos.



## ADVERTENCIA



A fin de evitar enfermedades serias y aún la muerte, no desactive el display del filtro mientras utiliza filtros de agua «UltraClarity».

# Filtro de agua – Hoja de datos del producto

## Performance Data Sheet For Filter Model 9000 077095

Using Replacement Cartridge 9000 077104

Note that while the testing was performed under standard laboratory conditions, actual performance may vary.

This system has been tested according to NSF/ANSI Standards 42 and 53 for the reduction of the substances listed below. The concentration of the indicated substances in water entering the system was reduced to a concentration less than or equal to the permissible limit for water leaving the system, as specified in NSF/ANSI 42 and 53.

**NSF**  
System tested and certified by NSF International in Model 9000 077095 against NSF/ANSI Standard 53 for the reduction of Cysts and Turbidity and against Standard NSF/ANSI 42 for the reduction of Chlorine Taste and Odor; Nominal Particulate Class I

to a capacity of 739.68 gallons (2800 liters).

Substance	Average Influent Concentration	Influent Challenge Concentration mg/L	Product Water Concentration	Average % Reduction	Maximum Permissible Product Water Concentration	Max. Effluent	Min. % Reduction	NSF Test
Cysts*	166500	Minimum 50,000/L	1	99.99	99.95	1	99.99	511077-03
Turbidity	10.7	11 + 1 NTU	0.31	97.10	0.5 NTU	0.49	95.42	511078-03
Particulate Class I Particle size: >0.5 to <1 um	5700000	At least 10,000 particles/ml	30583	99.52	> 85%	69000	98.9	511079-03
Chlorine taste and odor	1.9	2.0 mg/L ± 10%	0.05	97.3	≥50%	0.06	96.84	511081-03

\* Based on the use of *Cryptosporidium parvum* oocysts

Application Guidelines/Water Supply Parameters	
Water pressure	30 - 120 psi (207 - 827 kPa)
Water temperature*	33° F - 100° F (0.6° C - 38° C)
Service flow	0.75 gpm (2.83 lpm)

Systems must be installed and operated in accordance with manufacturer's recommended procedures and guidelines. Change filter at least every 6 - 9 months. Flush new filter for 5 minutes.

See warranty card for complete details

Do not use with water that is microbiologically unsafe or of unknown quality without adequate disinfection before or after the system. Systems certified for cyst reduction may be used on disinfected waters that may contain filterable cysts.

Entire System (excluding disposable cartridges) is warranted for a period of one year. Disposable cartridges are warranted for defects in material and workmanship only. Service life of disposable filter cartridges varies with local water conditions and is thus not warranted.

For estimated costs of replacement elements please visit your local appliance dealer or parts distributor.

Manufactured by:

Cuno Engineered Products  
1000 Apollo Road  
Eagan, MN 55121-2240 U.S.A.

# Búsqueda de fallos

Fallo	Causa posible	Solución
El electrodoméstico no enfría. No se enciende la luz interior. El display no visualiza nada	Fallo en la alimentación. Se ha activado el fusible. El enchufe no está correctamente conectado.	Controle que esté encendida la alimentación. Debe conmutarse el fusible. Controle que el enchufe esté correctamente conectado.
La unidad de refrigeración marcha cada vez con mayor frecuencia y por tiempos más prolongados	La puerta del electrodoméstico se abre con frecuencia.	No abra la puerta innecesariamente.
	Se han introducido grandes cantidades de alimentos frescos en el electrodoméstico.	Active la función <b>Super</b>
	Están obstruidas las aberturas de ventilación.	Quite obstáculos y suciedad.
La temperatura en el compartimiento del refrigerador es demasiado baja.	Se ha ajustado la temperatura a valores demasiado bajos.	Ajuste una temperatura más elevada (ver la sección "Ajuste de temperatura")
La luz interior no funciona	Está defectuosa la lamparilla.	Cambia la lamparilla (ver "Cambio de la lamparilla").
	El conmutador de encendido de la luz está trabado.	Controle si lo puede destrabar.
El electrodoméstico emite malos olores.	Alimentos de olores fuertes no fueron envueltos en recipientes herméticos.	Limpie el electrodoméstico. Coloque los alimentos de olores fuertes en recipientes herméticos (ver "Olores").

## Generador de hielo

Fallo	Causa posible	Solución
Aparentemente no funciona el generador de hielo.	El generador de hielo no está conectado a la alimentación.	Llame al servicio técnico.
	El generador de hielo no está conectado a la alimentación de agua.	Asegúrese que esté correctamente conectada la alimentación de agua.
	La temperatura del compartimiento del congelador es demasiado alta.	Controle la temperatura del compartimiento del congelador. Si hace falta, disminuya la temperatura.
Se obtienen cubitos de hielo pequeños por un tiempo prolongado.	Está funcionando otro electrodoméstico que también consume agua.	Evite utilizar p. ej. un lavavajillas, lavarropas o ducha simultáneamente.
	Debe cambiarse el filtro de agua.	Se encuentran las instrucciones para el cambio del filtro de agua en estas instrucciones de funcionamiento.
	La presión de agua es incorrecta.	Controle la presión del agua. Esta debe encontrarse entre 25 y 120 p.s.i. (1.72 a 8.25 bar).
	Se ha instalado una válvula de agua incorrecta.	Las válvulas autoblocantes y válvulas de 3/16 de pulgada (4.76 mm) pueden obstruir el tubo. <b>El fabricante no asume responsabilidad por fallos debidos a una instalación o conexión de agua incorrectas.</b>



Fallo	Causa posible	Solución
<b>Los cubitos de hielo tienen un olor o gusto desagradables.</b>	Hielo conservado por un tiempo prolongado puede absorber olores que afectan su gusto.	Use los cubitos de hielo. Utilice el generador de hielo con mayor frecuencia.
	El recipiente para los cubitos de hielo está sucio.	Evacue y limpie el recipiente para los cubitos de hielo.
	Embalajes no sellados dentro del congelador transfieren olor o gusto a los cubitos de hielo.	Controle si los alimentos congelados están ubicados en recipientes herméticos.
	Limpie el interior del electrodoméstico.	Consulte la sección «Olores».
<b>El generador de hielo no produce hielo.</b>	El recipiente para los cubitos de hielo está en una posición incorrecta.	Vuelva a colocar el recipiente, llevándolo hasta la posición más avanzada (ver la sección «Diseño interior variable»).
	La presión del agua es demasiado baja.	Controle la presión del agua. Esta debe encontrarse entre 25 y 120 p.s.i. (1.72 a 8.25 bar).
	La temperatura del compartimiento congelador es demasiado elevada.	Controle la temperatura del compartimiento del congelador. Bájela si hace falta.
	Se ha instalado una válvula de agua incorrecta.	Las válvulas autoblocantes y válvulas de 3/16 de pulgada (4.76 mm) pueden obstruir el tubo. <b>El fabricante no asume responsabilidad por fallos debidos a una instalación o conexión de agua incorrectas.</b>
<b>El generador de hielo no produce suficiente hielo o los cubitos de hielo presentan una forma incorrecta.</b>	La presión de agua es demasiado baja.	Controle la presión del agua. Esta debe encontrarse entre 25 y 120 p.s.i. (1.72 a 8.25 bar).
	La temperatura del compartimiento congelador es demasiado baja.	Controle la temperatura del compartimiento congelador. Si hace falta, aumentela.
	Cambie el filtro.	Se encuentran instrucciones para el cambio del filtro en este manual.
<b>Se forma hielo en la manguera de alimentación de agua hacia el generador de hielo.</b>	La presión de agua es demasiado baja.	Controle la presión del agua. Esta debe encontrarse entre 25 y 120 p.s.i. (1.72 a 8.25 bar).
	La temperatura del compartimiento congelador es demasiado alta.	Controle la temperatura en el compartimiento del congelador. Si hace falta, disminuya la temperatura.
<b>Sale agua del electrodoméstico.</b> Cierre inmediatamente la válvula correspondiente.	Está defectuosa la tubería de agua en el electrodoméstico.	Llame inmediatamente al servicio técnico.
	La presión de agua es demasiado baja.	Controle la presión del agua. Esta debe encontrarse entre 25 y 120 p.s.i. (1.72 a 8.25 bar).
	Se ha instalado una válvula de agua inadecuada.	Las válvulas autoblocantes y válvulas de 3/16 de pulgada (4.76 mm) pueden obstruir el tubo. <b>El fabricante no asume responsabilidad por fallos debidos a una instalación o conexión de agua incorrectas.</b>

# Cambio de la lamparilla

## ⚠ ADVERTENCIA ⚠

A fin de evitar descargas eléctricas que pueden causar lesiones graves o aún la muerte, desconecte la alimentación del electrodoméstico antes de efectuar reparaciones.

Una vez efectuadas las reparaciones, vuelva a conectar la alimentación.

- ❑ ¡Apague el electrodoméstico con el pulsador POWER! Desconecte el enchufe o desactive el fusible.

## ⚠ CUIDADO ⚠

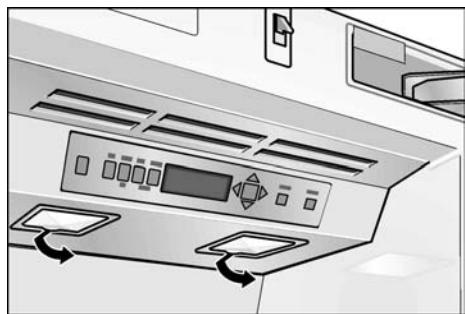
Nunca toque el bulbo de una lamparilla halógena con los dedos.

Siempre que coloque una lamparilla halógena, tómelala con un paño suave.

Recomendamos hacer realizar el cambio de lamparilla por un electricista.

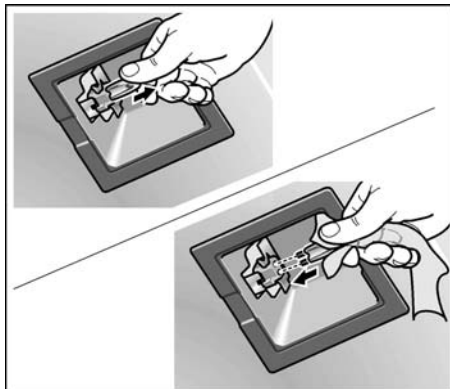
## Lamparillas halógenas en la parte superior

Tipo de las lamparillas:  
20 W/12 V/ soporte G4



- ❑ Afloje la cobertura y quítela del clip.

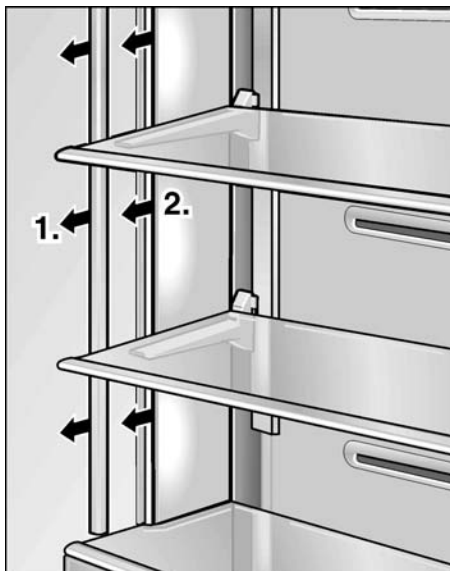
- ❑ Extraiga la lamparilla defectuosa, tirando de ella.



- ❑ Coloque una lamparilla nueva. Sujete el bulbo de la lamparilla únicamente mediante un paño suave.
- ❑ Coloque la cobertura sujetándola con el clip.

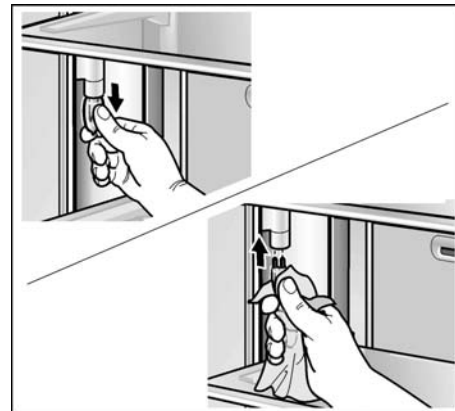
## Lamparillas halógenas a los costados

Tipo de lamparilla halógena:  
10 W / 12 V / soporte G4

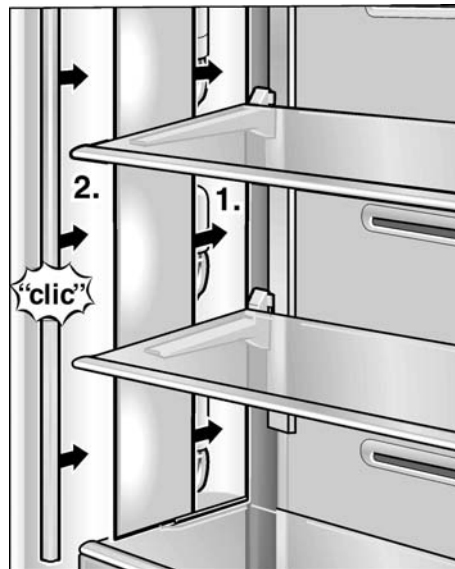


- ❑ Quite el riel de cobertura tirando de él.
- ❑ Quite el disco hacia delante hacia delante.

- ❑ Extraiga la lamparilla defectuosa, tirando de ella.



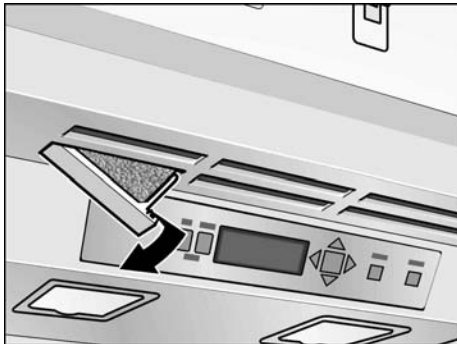
- ❑ Coloque una lamparilla halógena nueva, tomando el bulbo de la misma mediante un paño suave.



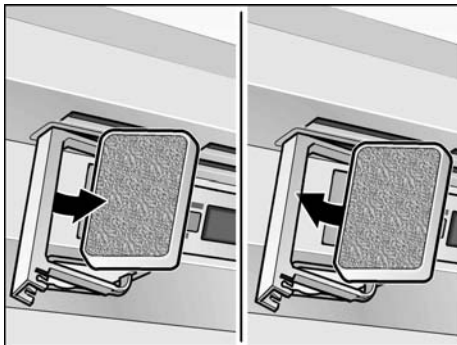
- ❑ Coloque el disco.
- ❑ Coloque el riel de cobertura.

# Cambio del filtro contra olores

**i** Los filtros de repuestos se pueden adquirir a través de nuestra cadena de distribuidores.



Cerrar el soporte del filtro.



- Extraer el elemento filtrante gastado.
- Colocar el elemento filtrante nuevo.



Coloque el soporte del filtro.

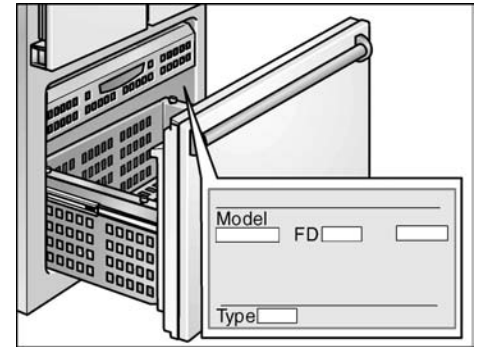
# Servicio técnico

Si usted necesita de asistencia técnica, consulte primero la sección de “Búsqueda de fallos” en este libro. Una vez controlada dicha sección, encontrará ayuda adicional, llamando al centro interactivo de clientes Thermador, **1-800-735-4328** (libre de cargo) desde cualquier punto de los Estados Unidos. En Canadá consulte la compañía de servicio de su zona, o llame al **1-800-735-4328**.

Anote las informaciones siguientes concerniente a su refrigerador, que le ayudarán a obtener un servicio técnico mejor en caso que lo necesite.

<b>Nombre del vendedor:</b>
<b>Dirección:</b>
<b>Número de teléfono:</b>
<b>Fecha de compra:</b>
<b>Modelo número:</b>
<b>Número FD:</b>
<b>Número de serie:</b>
<b>Tipo:</b>

Usted necesitará el número de modelo completo, al igual que el número de serie.



Encontrará la información concerniente al modelo y el número de serie, en la placa que se encuentra sobre la pared interior del compartimiento del refrigerador.

# GARANTÍA

## Garantía completa por dos años

Thermador se hará cargo de los costes por piezas de reemplazo de fábrica y de taller de reparaciones debidas a materiales defectuosos o fallos de fabricación por dos años (excluyendo los elementos filtrantes del filtro de agua), siempre que el refrigerador haya estado en funcionamiento y mantenido de acuerdo con las instrucciones que acompañan o están incluidas en el producto. El servicio técnico debe ser prestado por una compañía de servicio designada por Thermador.

Elemento filtrante del filtro de agua: este elemento está cubierto por una garantía limitada a 30 días. Por 30 días a partir de la fecha de compra, Thermador pagará por el reemplazo de partes para la corrección de fallos o debidas a fallos en la fabricación, siempre que el filtro haya estado en funcionamiento y mantenido de acuerdo con las instrucciones que acompañan o están incluidas en el producto.

## Garantía completa del tercer al sexto año sobre el sistema de refrigeración sellado

Del tercero al sexto año después de la fecha de compra, siempre que el refrigerador haya estado en funcionamiento y mantenido de acuerdo con las instrucciones que acompañan o están incluidas en el producto, Thermador se hará cargo de los costes de las partes y de reparación a fin de corregir fallos en los materiales o en la construcción del sistema sellado de refrigeración.

Estas partes son: el compresor, el evaporador, el condensador, el secador, y la tubería de conexión. El servicio técnico debe ser prestado por una compañía de servicio designado por Thermador.

## Garantía limitada del séptimo al duodécimo año sobre el sistema sellado de REFRIGERACIÓN

Del séptimo al duodécimo año después de la fecha de compra, siempre que el refrigerador haya estado en funcionamiento y mantenido de acuerdo con las instrucciones que acompañan o están incluidas en el producto, Thermador se hará cargo de los costes de las partes y de reparación a fin de corregir fallos en los materiales o en la construcción del sistema sellado de refrigeración.

Estas partes son: el compresor, el evaporador, el condensador, el secador, y la tubería de conexión.

## Thermador no se hará cargo de costes resultantes de:

1. Llamados al servicio técnico para la instalación de su refrigerador, para instruirlo respecto del uso del mismo, para cambiar fusibles de la instalación domiciliaria o reparar el cableado domiciliar o la tubería correspondiente, reemplazar lamparillas o elementos filtrantes diferentes a las mencionadas anteriormente.
2. Reparaciones en caso que el refrigerador no haya sido usado en domicilios normales de una sola familia.
3. Llevado o traído. Su refrigerador está destinado a ser reparado en su domicilio.

4. Daños resultantes de accidentes, modificaciones, uso inadecuado, abuso, fuego, inundaciones, instalación inadecuada, razones de fuerza mayor, o el empleo de productos no aprobados por Thermador o Thermador Canadá.
5. Cualquier pérdida de alimentos o medicinas debida a fallos en el producto.
6. Reparaciones en partes o sistemas, resultantes de modificaciones no autorizadas efectuadas en el electrodoméstico.
7. Desmontaje o reemplazo de paneles decorativos o de adorno que interfieran con el servicio técnico del producto.
8. Tareas efectuadas o partes instaladas durante el período de garantía total, por cualquier compañía de servicio no designada por Thermador, salvo que ello haya sido aprobado por Thermador antes de la ejecución de tales tareas.
9. Para Canadá, costes de viaje o transporte para clientes residentes en áreas remotas.
10. Cualquier coste por trabajos durante los períodos de garantía limitada.

**THERMADOR NO AUSMIRÁ  
RESPONSABILIDAD ALGUNA  
POR DAÑOS INCIDENTALES  
O INDIRECTOS.**

Algunos estados no permiten la exclusión o limitación en caso de daños incidentales o indirectos. En este caso esta exclusión no es aplicable en su caso. Esta garantía le concede derechos legales específicos y usted tendrá otros derechos que varían de estado a estado o provincia a provincia.

**Fuera de los Estados Unidos y Canadá, puede que se apliquen otras garantías. Póngase en contacto con su vendedor autorizado Thermador, para determinar si se aplican otras garantías.**

Si usted necesita de asistencia técnica, consulte primero la sección de “Búsqueda de fallos” en este libro. Una vez controlada dicha sección, encontrará ayuda adicional, controlando la sección “Asistencia y servicio” o llamando al centro interactivo de clientes Thermador, **1-800-735-4328** (libre de cargo) desde cualquier punto de los Estados Unidos.

En Canadá consulte la compañía de servicio de su zona, o llame al **1-800-735-4328**.

**Conserve este libro y su factura de compra juntas para consultas posteriores.**

**Deberá presentar un comprobante de la fecha de compra o instalación para servicios dentro del marco de la garantía.**





9000189698 (8606)

©Thermador is a Registered Trademark of BSH Home Appliances Corporation

©Thermador es una marca registrada de BSH Home Appliances Corporation

©Thermador est une marque de commerce déposée de BSH Home Appliances Corporation.

Thermador® reserves the right to make changes in models, features, and specifications without prior notice.

All rights reserved. Thermador® se reserva el derecho de hacer cambios en los modelos, características y especificaciones sin previo aviso.

Tous droits réservés. Thermador® se réserve le droit d'apporter des changements aux modèles, aux caractéristiques et aux spécifications sans préavis.