



**BOSCH**

INSTALLATION INSTRUCTIONS  
INSTRUCTIONS D'INSTALLATION  
INSTRUCCIONES DE INSTALACIÓN

# Single Door Models Modèles à une porte Modelos de una puerta



---

# Contents

<b>Before you Begin</b> .....	<b>5</b>
Definitions .....	5
Important information .....	5
<b>Installation options</b> .....	<b>6</b>
Individual unit .....	6
Side-by-Side .....	6
Individual appliances with partition .....	6
At the end of the kitchen units .....	6
<b>Installation location</b> .....	<b>7</b>
Installation room .....	7
Installation cavity .....	7
Furniture/fixtures .....	7
Base .....	7
<b>Connecting the power</b> .....	<b>8</b>
Additional grounding procedure .....	8
Grounding instruction .....	8
<b>Connecting the water</b> .....	<b>8</b>
<b>Installation dimensions</b> .....	<b>9</b>
Single installation .....	9
Side-by-Side installation .....	10
Water connection .....	11
<b>Appliance dimensions</b> .....	<b>12</b>
1. 18" Appliance (Freezer/Freezer with Ice and Water dispenser) .....	12
2. 18" Appliance (Wine unit) .....	13
3. 24" Appliance (Refrigerator/Freezer/Freezer with Ice and Water dispenser) .....	14
4. 24" Appliance (Wine unit) .....	15
5. 30" Appliance (Refrigerator/Freezer/Freezer with Ice and Water dispenser) .....	16
<b>Required accessories and tools</b> .....	<b>17</b>
1. Supplied accessories .....	17
2. Optional accessories .....	17
3. Other required accessories from specialist outlets .....	17
4. Tools .....	17
5. Other .....	17

<b>Installation instructions</b> .....	<b>18</b>
1. Checking the installation cavity .....	18
2.. Transport of the appliance .....	18
3. Removing the packaging .....	19
4. Preparing the appliance .....	19
5. Changing over the door hinges .....	20
6. Preparing the installation cavity .....	22
7. Attaching an alternative anti-tip device .....	24
8. Preparing to connect the water .....	24
9. Attaching the edge protection .....	25
10.Side-by-Side installation .....	25
11. Pushing the appliance into the installation cavity .....	25
12. Installing and aligning the appliance .....	26
13. Attaching the appliance to the top of the cavity .....	27
14. Attaching the individual appliance to the side of the cavity .....	28
15. Connecting the water to the appliance .....	28
16. Attaching the toe kick panel .....	29
17. Commissioning the Appliance .....	30
18. Preparing the furniture doors .....	31
19. Loading the appliance door .....	32
20. Attaching the adjusting rail to the furniture door .....	32
21. Attaching and aligning the furniture door .....	33
22. Attaching the furniture door .....	34
23. Shorten the finger guard .....	36
24. Attaching the finger guard .....	36
25. Attaching the covers .....	37
26. Aligning the ice-water dispenser .....	38
27. Attaching the cover strips .....	39
28. Mounting of air separator .....	40
29. Adjusting the door opening angle .....	41
30. Changing the door spring .....	41

# Before you Begin

## Read these instructions completely and carefully.

### **IMPORTANT**

Save these instructions for local inspector's use. Observe all governing codes and ordinances.

**Note to Installer** – Be sure to leave these instructions with the Consumer.

**Note to Consumer** – Keep these instructions with your Owner's Manual for future reference.

### **WARNING**

This appliance must be properly grounded. See the section on "Connecting the power" on page 8.

### **WARNING**



These appliances are top-heavy and must be secured to prevent the possibility of tipping forward. Anti-tip protection is required.

Keep doors closed until the appliance is completely installed and secured per installation instructions.

Due to the weight and size of this appliance, and to reduce the risk of personal injury or damage to the product – **TWO PEOPLE ARE REQUIRED FOR PROPER INSTALLATION.**

### **CAUTION**

**Skill – Level** – Installation of this appliance requires basic mechanical, carpentry and plumbing skills. Proper installation is the responsibility of the installer. Product failure due to improper installation is not covered under the Appliance Warranty. See the Owner's Manual for warranty information.

### **WARNING**

Use this appliance only for its intended purpose.

Immediately repair or replace electric service cords that become frayed or damaged.

Unplug the appliance or switch off the fuse before cleaning or making repairs.

Repairs should be made by a qualified service technician.

These installation instructions are intended for use by qualified installers. All connections for water, electrical power and grounding must comply with local codes and ordinances and be made by licensed personnel when required. In the absence of a local code:

- In the U.S.A., in accordance with the National Electric Code, ANSI/NFPA70 – latest edition/State and Municipal codes and/or local codes.
- In Canada, in accordance with the Canadian Electric Code C22.1 – latest edition/Provincial and Municipal codes and/or local codes.

## Definitions



### **WARNING**



**WARNING** – This indicates that death or serious injuries may occur as a result of not observing this warning.



### **CAUTION**



**CAUTION** – This indicates that minor or moderate injuries or damage may occur as a result of not observing this warning.



This symbol is used to draw the user's attention to something in particular.

## Important information

The importance of complying with all regulations and instructions in this installation manual cannot be emphasised enough. The installation should be carried out by a qualified fitter.

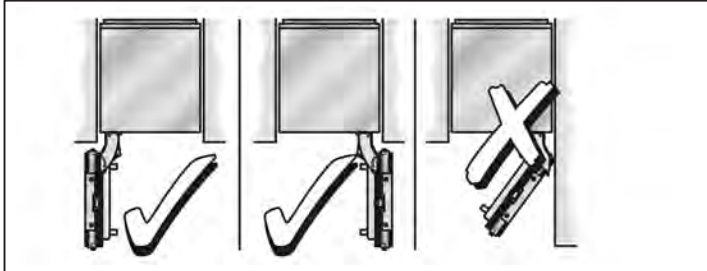
Before starting the installation, always read this installation manual in full. It contains important details which the fitter must observe. Provided this manual is read thoroughly, the installation will be simple, trouble-free and, most importantly, safe.

# Installation options

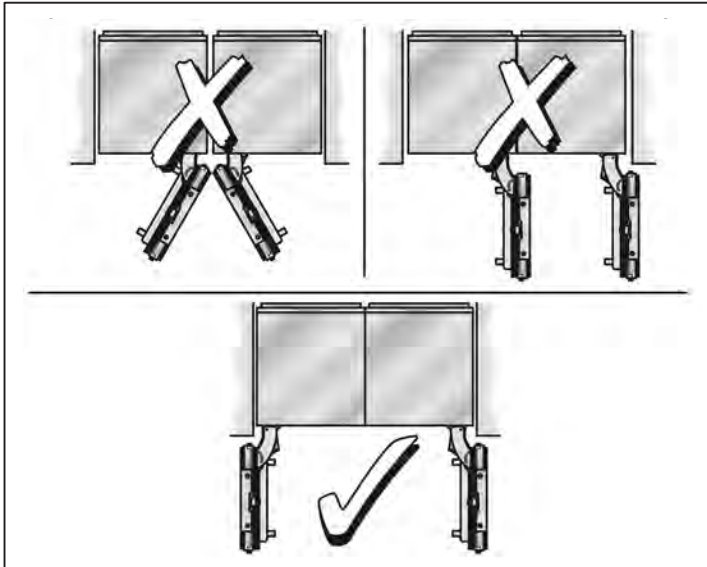
There are many different installation options.

These are limited only by the design of the kitchen and the function of the finger guard.

## Individual unit



## Side-by-Side

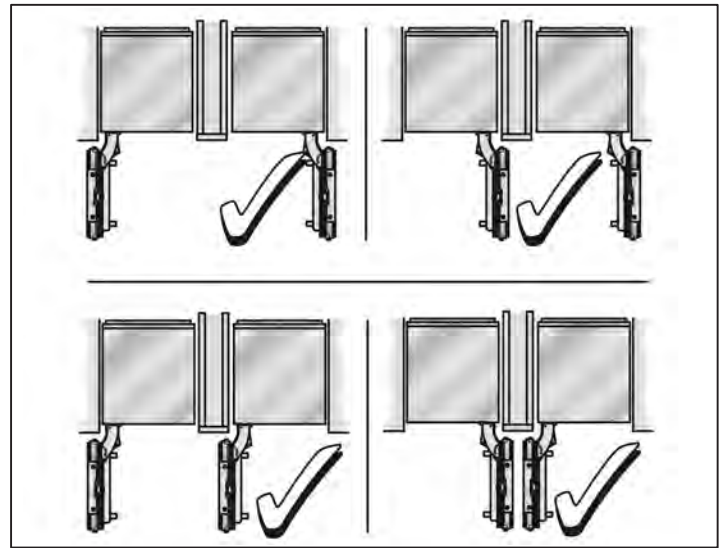


\* Partition required!

**i** When 2 appliances are installed Side-by-Side, the **Basic Combination Side-by-Side Sealing kit** must be used to ensure a stable connection.

See the section on “Optional accessories” on page 17.

## Individual appliances with partition



### **i** Note

- When dimensioning the partition for model 4, note the thickness of the furniture fronts to prevent damage if the doors are opened at the same time.
- Use the **Extreme Combination Side-by-Side Heating kit** if the gap between the appliances is less than 6” (160 mm).  
See the section on “Optional accessories” on page 17.
- Minimum thickness of the partition  $\frac{5}{8}$ ” (16 mm).

## At the end of the kitchen units

If one side of the appliance is visible, a side panel must be used.

The side panel must be connected firmly to the wall, the floor and overhead furniture/fixtures before the appliance is placed in the cavity.

The dimensions of the side panel are taken from the opposite cavity wall. During installation ensure that the cavity is square and the exact size.

# Installation location



## WARNING



Do not install the appliance:

- outdoors,
- in an environment with dripping water,
- in rooms which are at risk of frost.

Appliance is very heavy – for empty weight see the following table:

Refrigerator 24"	approx. 310 lbs / 140 kg
Refrigerator 30"	approx. 350 lbs / 158 kg
Freezer 18"	approx. 255 lbs / 115 kg*
Freezer 24"	approx. 300 lbs / 135 kg*
Freezer 30"	approx. 335 lbs / 150 kg*
Wine unit 18"	approx. 300 lbs / 135 kg
Wine unit 24"	approx. 360 lbs / 160 kg

(\* without Water Dispenser)

## Installation room

The appliance should be installed in a dry, ventilated room.

The ambient temperature should not drop below 55 °F (13 °C) or rise above 110 °F (43 °C), otherwise malfunctions may occur.

The installation location should not be exposed to direct sunlight and not placed near a heat source, such as an oven, radiator, etc. If installation next to a heat source is unavoidable, use a suitable insulating plate or observe the following minimum distances from the heat source:

- 1 1/4" (30 mm) from an electric cooker,
- 12" (300 mm) from an oil or solid-fuel cooker.

## Installation cavity

It is important to observe the specified dimensions of the installation cavity for a trouble-free installation of the appliance and for the subsequent general view of the furniture front.

**i** In particular ensure that the cavity is square.

Squareness can be checked by suitable means, e.g. spirit level, diagonal measurements, etc.

**i** The side walls of the cavity must be flush.

The minimum thickness of side walls and the top wall must be 5/8" (16 mm).

The minimum thickness of toe kick panel must be 1/2" (13 mm).

A thickness of 3/4" (19 mm) is recommended.

## Furniture/fixtures

The new appliance is screwed securely to adjacent and overhead furniture/fixtures.

For this reason it is essential that all attachable furniture/fixtures are connected securely to the base or the wall by suitable means.

## Base



## WARNING



A fully-load appliance is very heavy – for the load-bearing capacity at least see the following table:

Refrigerator 24"	approx. 890 lbs / 400 kg
Refrigerator 30"	approx. 1110 lbs / 500 kg
Freezer 18"	approx. 560 lbs / 250 kg*
Freezer 24"	approx. 780 lbs / 350 kg*
Freezer 30"	approx. 950 lbs / 425 kg*
Wine unit 18"	approx. 550 lbs / 245 kg
Wine unit 24"	approx. 694 lbs / 310 kg

(\* without Water Dispenser)



To ensure that the appliance is installed securely and functions properly, the base must be flat and level.

The base must be made of a hard, rigid material.

The installation area must be the same height as the rest of the room.

On account of the heavy weight of a fully loaded appliance, a load-bearing base is required. If in doubt, contact an architect or a building expert.

# Connecting the power

 <b>WARNING</b> 
<b>Electrical Shock Hazard</b>
<ul style="list-style-type: none"><li>– Plug into a grounded 3 prong outlet.</li><li>– Do not remove ground prong.</li><li>– Do not use an adapter.</li><li>– Do not use an extension cord.</li></ul>
Failure to follow these instructions can result in death, fire, or electrical shock.

The appliance comes with a 3-wire power supply cord, UL listed in the USA.

The appliance requires a 3-wire receptacle.

The receptacle must be installed by a licensed electrician only.

The receptacle must be fitted with a 10A fuse or higher. Please observe in this coherence the following table:

Appliance	Maximum load at one time
Refrigerator 24"	2 Ampere
Refrigerator 30"	2 Ampere
Freezer 18" (incl. IceMaker)	3.5 Ampere
Freezer 24" (incl. IceMaker)	4 Ampere
Freezer 30" (incl. IceMaker)	4.5 Ampere

Orient ground prong to the bottom as shown in the pictures.

For the installation position of the receptacle see "Installation dimensions", page 8.



## Additional grounding procedure

Some local regulations may require a separate ground. In such cases, the required accessory ground wire, clamp and screw must be purchased separately.

Never ground the appliance to plastic plumbing lines, gas lines or water pipes.

## Grounding instruction

This appliance must be grounded. In the event of a malfunction or breakdown, grounding will reduce the risk of electric shock by providing a path of least resistance for the electric current.

 <b>WARNING</b> 
Improper connection of the equipment grounding conductor may result in electric shock. Have the appliance checked by a qualified electrician or service technician if you are in doubt as to whether the appliance has been properly grounded.

# Connecting the water

A cold water connection is required for operation of the automatic ice maker. The water pressure must be between 25 and 120 p.s.i. (1.72–8.25 bar). The installation must comply with local plumbing regulations.

A separate shut-off valve must be installed for the appliance water connection.

The shut-off valve for the water connection must not be behind the appliance. It is recommended to place the shut-off valve directly next to the appliance (base unit) or in another easily accessible location.

When installing the water connection, observe the permitted installation areas for the pipe. For the permitted installation areas and dimensions see "Installation dimensions", page 8.

The supply pipe can be located at the side on the right (a), at the side on the left (b) or underneath (c).

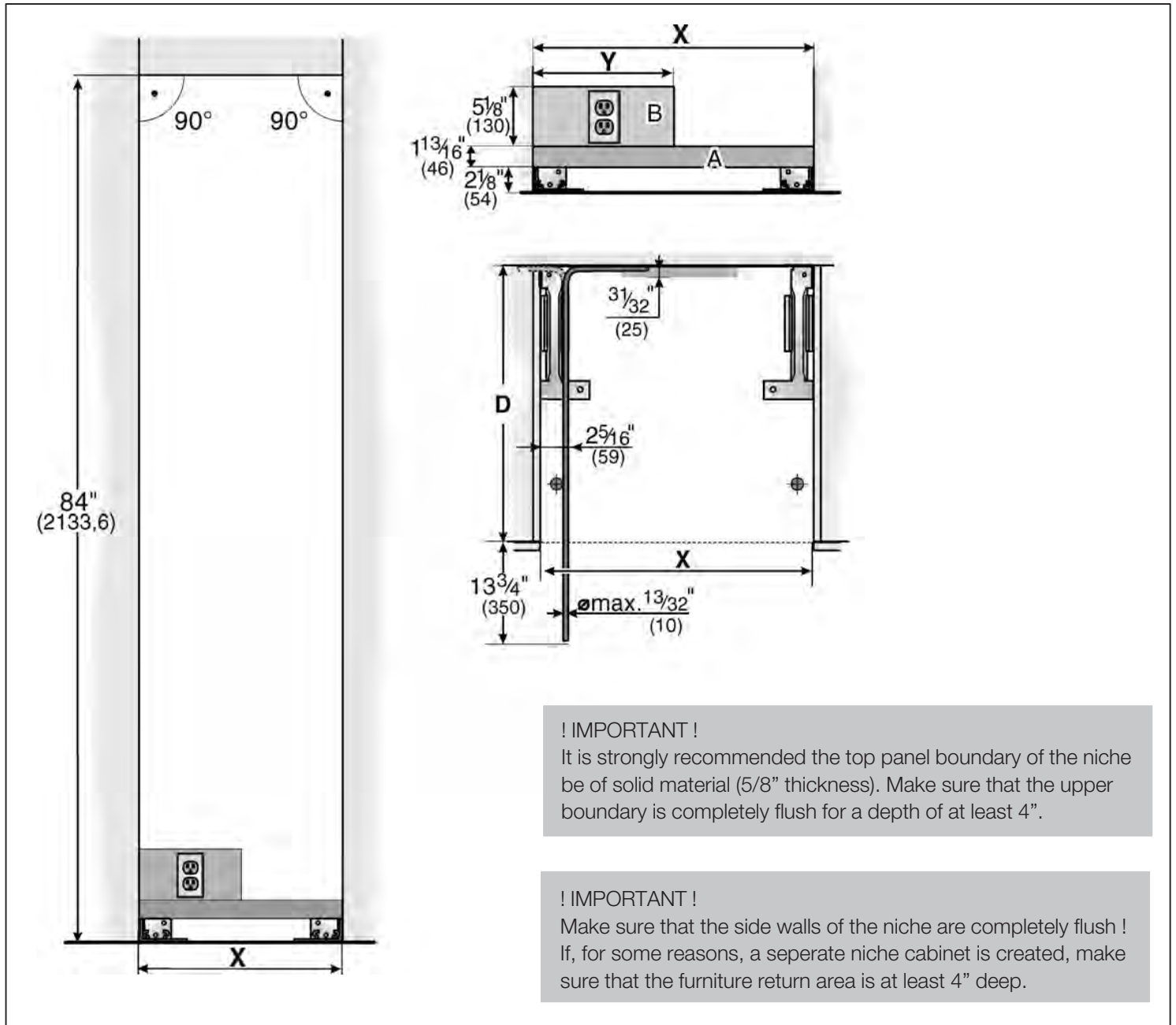
Maximum outer diameter of the water pipe (without fittings):  $1\frac{3}{32}$ " (10 mm).

Attach a separate shut-off valve for the water connection in a suitable, easily accessible location. Do not use a self-piercing valve!



# Installation dimensions

## Single installation



### Legend:

- A** Area for installation of the water connection  
It is recommended the water-box be placed adjacent to the installation cavity, so that it can be accessed for service without uninstalling the appliance. If this is not possible, place the recessed water box adjacent to the power supply socket elevated at the heights as referenced in areas A+B.
- B** Area for installation of the power connection
- D** Opening depth of niche, depending on kitchen design  
(see DESIGN GUIDE)  
D = 24" (610 mm) minimum

**NOTE:** Cavity must be square.  
Side wall of the cavity must be flush.

	Appliance		
	18"	24"	30"
<b>X</b>	18" (457 mm)	24" (610 mm)	30" (762 mm)
<b>Y</b>	9" (229 mm)	12" (305 mm)	15" (381 mm)

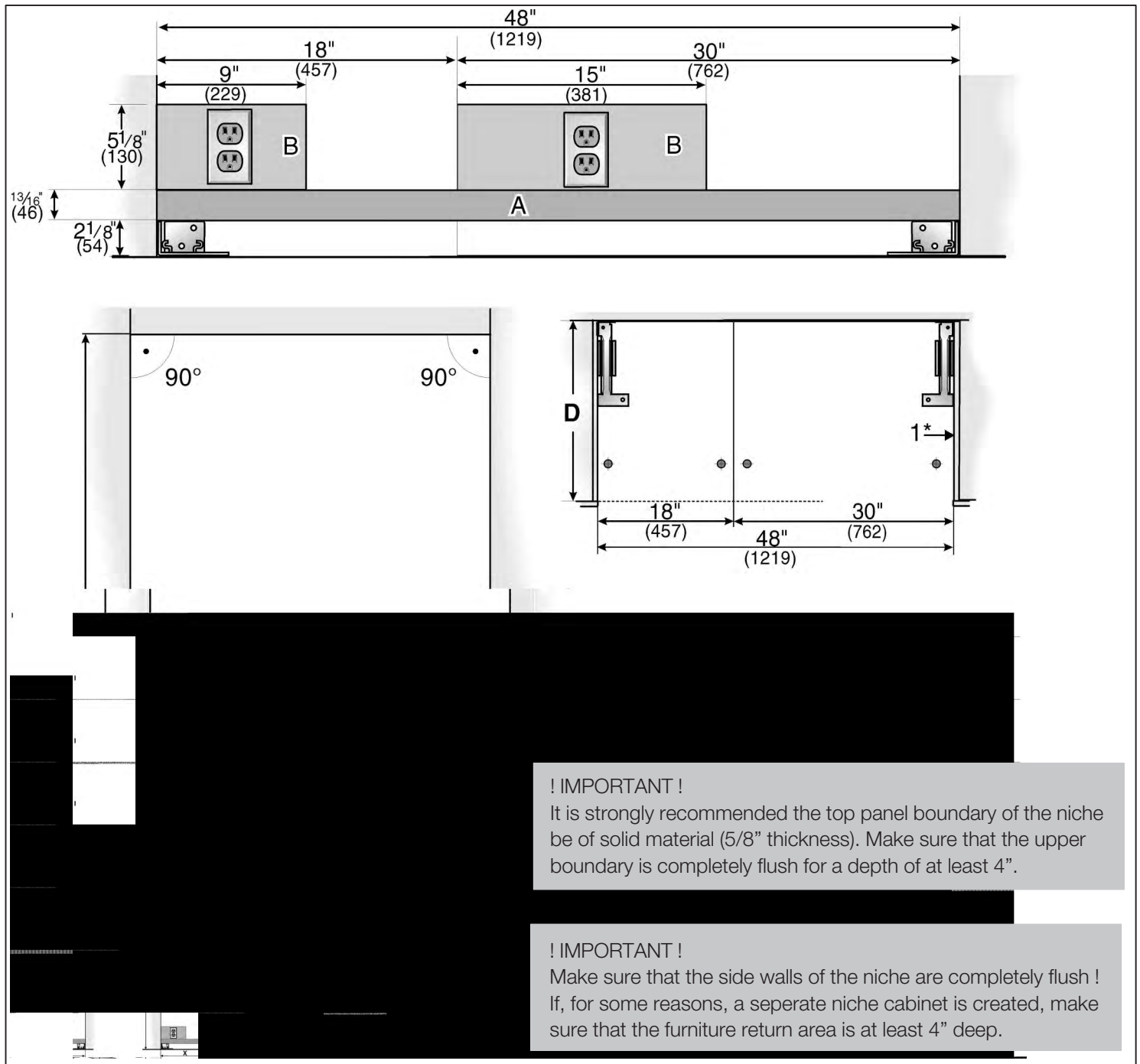
## Side-by-Side installation

The cavity dimensions indicated above for the respective appliance apply to a Side-by-Side installation of two appliances.

The total width of the cavity results from the addition of the cavity widths indicated for the two appliances.

## Example:

Freezer 18" / Refrigerator 30"



### Legend:

- A** Area for installation of the water connection  
It is recommended the water-box be placed adjacent to the installation cavity, so that it can be accessed for service without uninstalling the appliance. If this is not possible, place the recessed water box adjacent to the power supply socket elevated at the heights as referenced in areas A+B.
- B** Area for installation of the power connection

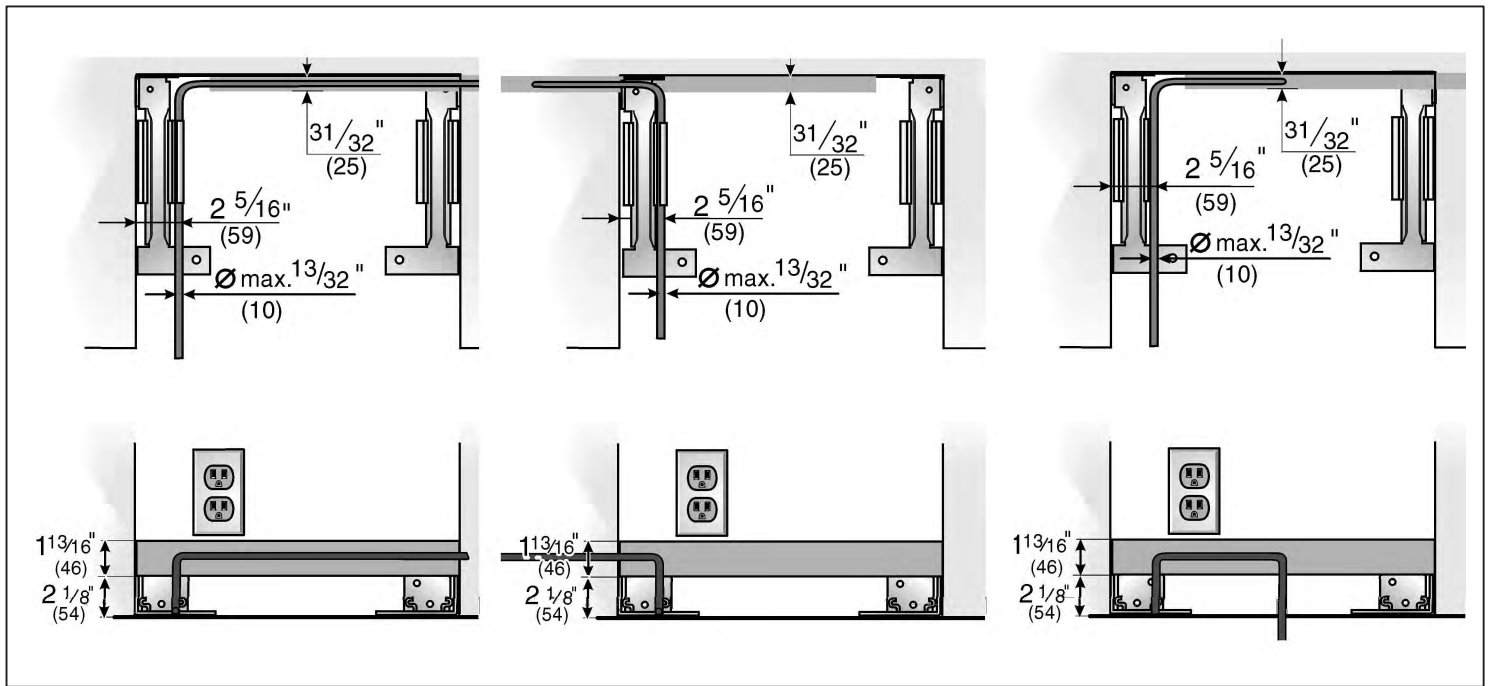
- D** Opening depth of niche, depending on kitchen design (see DESIGN GUIDE)  
D = 24" (610 mm) minimum

**NOTE:** Cavity must be square.  
Side wall of the cavity must be flush.

# Water connection

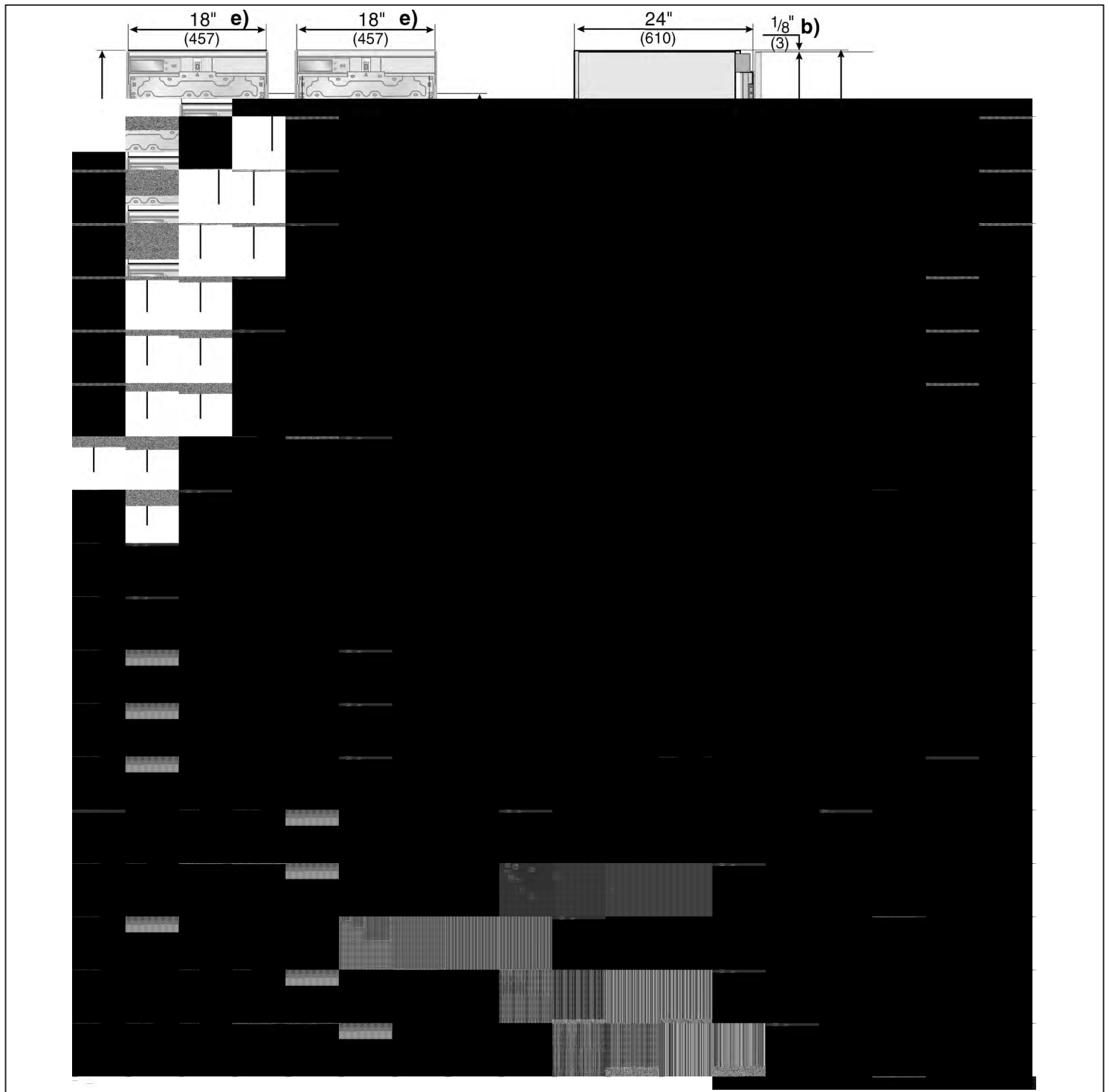
The supply pipe can be located

- a) at the side on the right,
- b) at the side on the left or
- c) underneath.



# Appliance dimensions

## 1. 18" Appliance (Freezer/Freezer with Ice and Water dispenser)



### Legend:

- a) Adjustment in levelling legs  $+1\frac{3}{8}"$  (35 mm) /  $-1\frac{1}{2}"$  (13 mm).
- b) Dimensions may vary.
- c) Thickness of door panel may vary.
- d) This dimension may vary depending on installation, panel thickness and kitchen hardware.

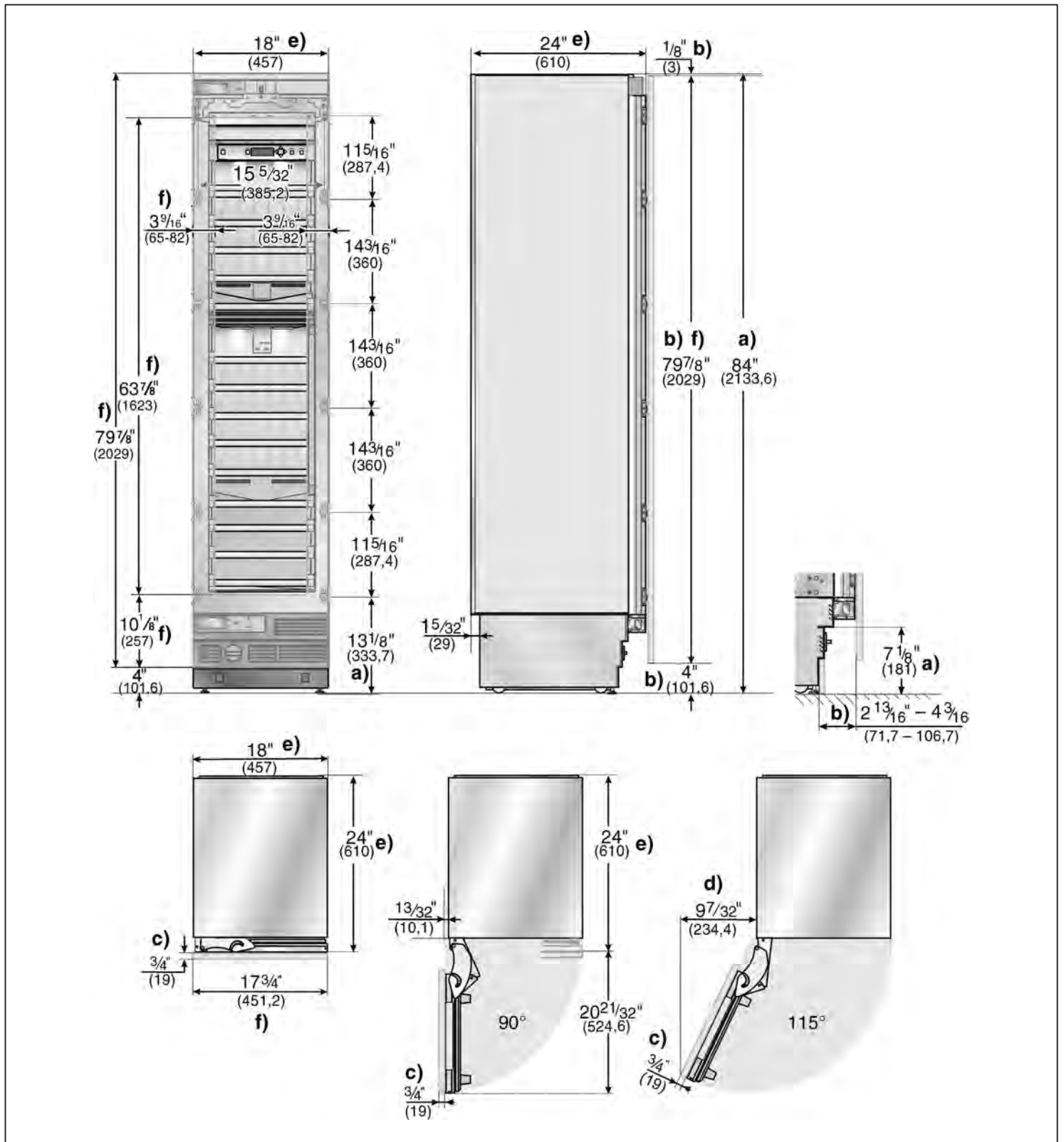
e) Unit dimensions

f) Wooden door panel dimension

### Note:

One design of the wooden panel displayed. For further information about the different styles check the DESIGN GUIDE.

## 2. 18" Appliance (Wine unit)



### Legend:

- a) Adjustment in levelling legs +1 3/8" (35 mm) / -1/2" (13 mm).
- b) Dimensions may vary.
- c) Thickness of door panel may vary.
- d) This dimension may vary depending on installation, panel thickness and kitchen hardware.

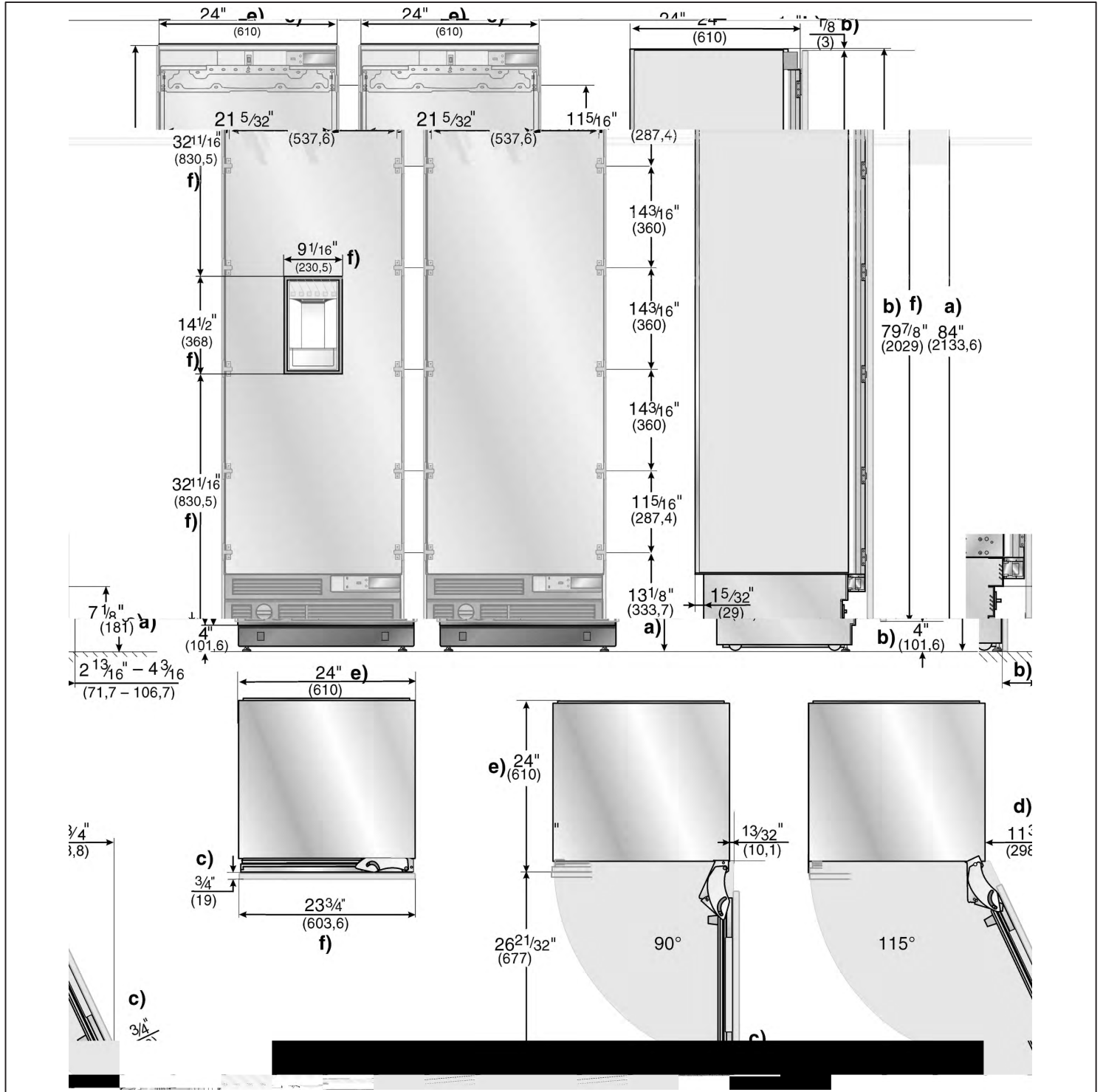
e) Unit dimensions

f) Wooden door panel dimension

### Note:

One design of the wooden panel displayed. For further information about the different styles check the DESIGN GUIDE.

### 3. 24" Appliance (Refrigerator/Freezer/Freezer with Ice and Water dispenser)



#### Legend:

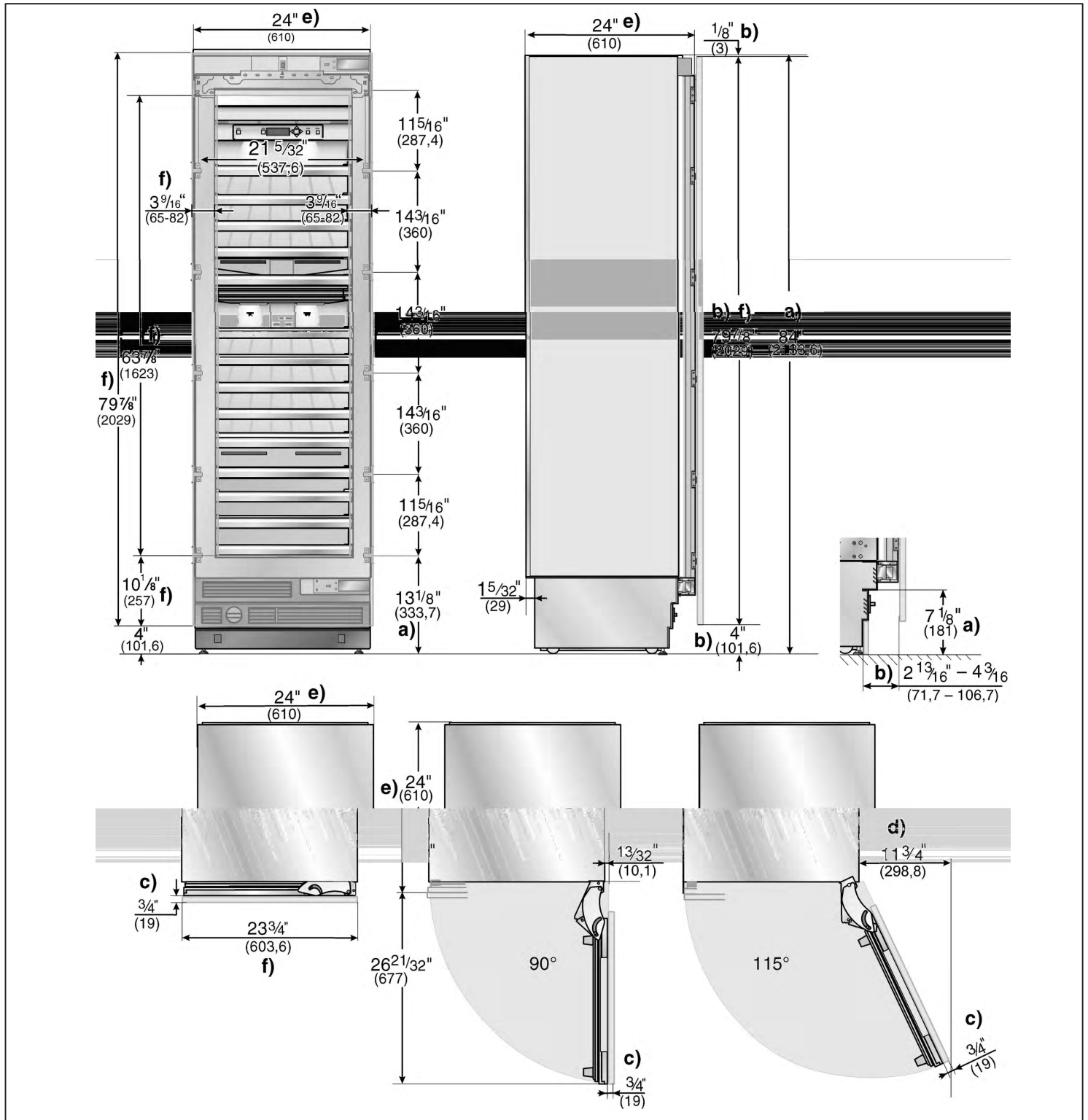
- a) Adjustment in levelling legs +1<sup>3</sup>/<sub>8</sub>" (35 mm) / -1<sup>1</sup>/<sub>2</sub>" (13 mm).
- b) Dimensions may vary.
- c) Thickness of door panel may vary.
- d) This dimension may vary depending on installation, panel thickness and kitchen hardware.
- e) Unit dimensions
- f) Wooden door panel dimension

#### Note:

One design of the wooden panel displayed. For further information about the different styles check the DESIGN GUIDE.



## 4. 24" Appliance (Wine unit)



### Legend:

- a) Adjustment in levelling legs +1 3/8" (35 mm) / -1/2" (13 mm).
- b) Dimensions may vary.
- c) Thickness of door panel may vary.
- d) This dimension may vary depending on installation, panel thickness and kitchen hardware.

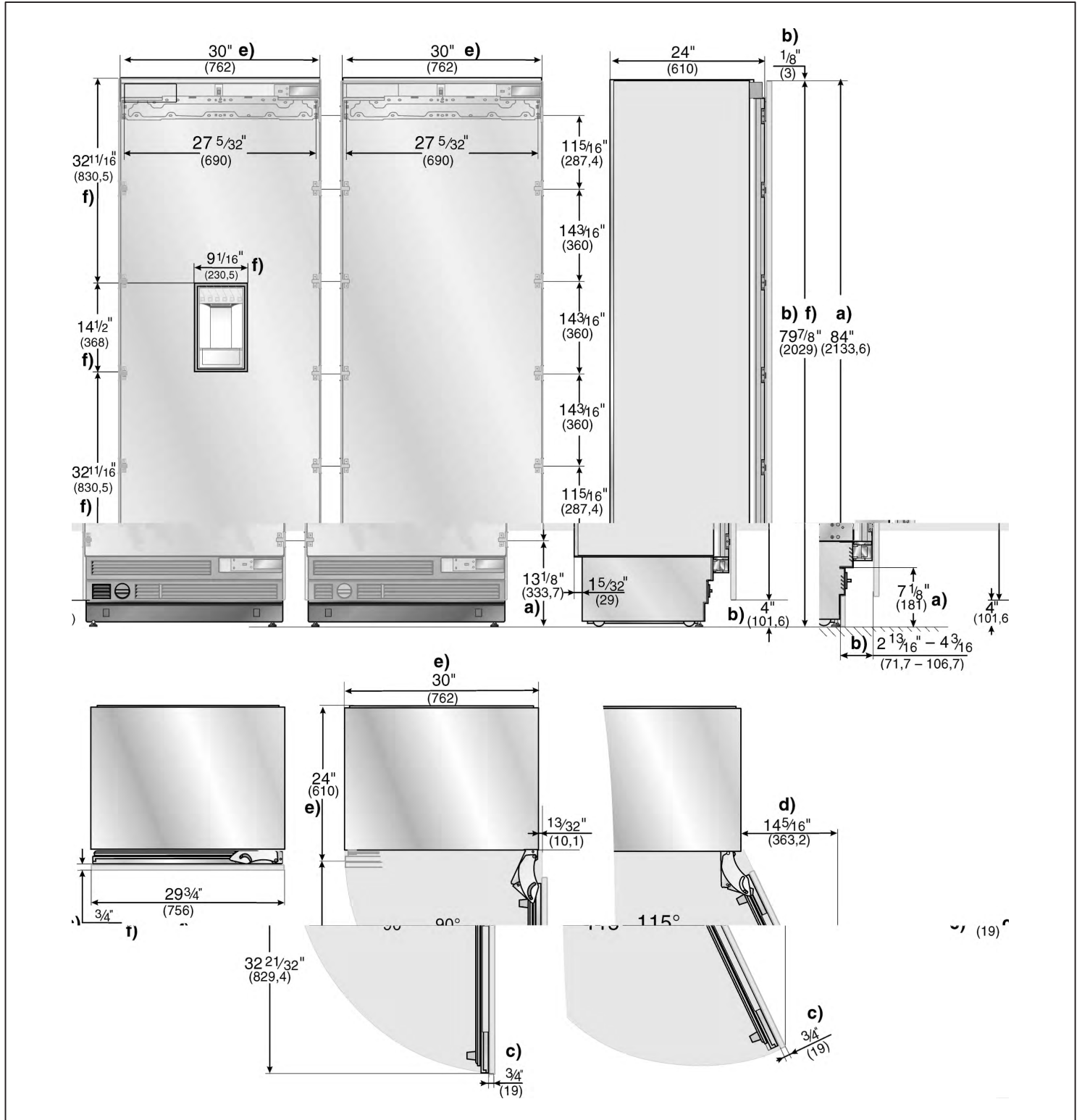
e) Unit dimensions

f) Wooden door panel dimension

### Note:

One design of the wooden panel displayed. For further information about the different styles check the DESIGN GUIDE.

## 5. 30" Appliance (Refrigerator/Freezer/Freezer with Ice and Water dispenser)



### Legend:

- a) Adjustment in levelling legs +1 3/8" (35 mm) / -1/2" (13 mm).
- b) Dimensions may vary.
- c) Thickness of door panel may vary.
- d) This dimension may vary depending on installation, panel thickness and kitchen hardware.

e) Unit dimensions

f) Wooden door panel dimension

### Note:

One design of the wooden panel displayed. For further information about the different styles check the DESIGN GUIDE.



---

# Required accessories and tools

## 1. Supplied accessories

- Installation instructions
- Operating instructions
- Installation kit

## 2. Optional accessories

### Basic Combination Side-by-Side Sealing kit

For permanent connection of two individual appliances, e. g. Freezer next to Refrigerator.

### Extreme Combination Side-by-Side Heating kit

If the gap between the appliances is less than 6" (160 mm).

### Extra long finger protection part

### Panel unification part (Metal strip)

For connection of two furniture doors. Can be used for standard height furniture doors without further preliminary work.

## 3. Other required accessories from specialist outlets

### Ice maker installation kit ¼" OD copper line

For connecting appliances which require water, e.g. for an ice maker.

**i** Maximum outer diameter of the water pipe (without fittings):  $1\frac{3}{32}$ " (10 mm).

## 4. Tools

- Cordless screwdriver T20
- Torx screwdriver T20
- Torx bit T20 + magnetic holder
- $\frac{5}{16}$ " (8 mm) hex nut driver
- Wood drills in different sizes
- Open end wrench ½" (SW 13 mm)
- Multigrip pliers
- Adjustable wrench

- Cutter with adjustable blade
- Metal tape measure
- Square
- Spirit level length 2' (60 cm) and 4' (1,2 m)
- Marking-out level, length at least 4' (1.2 m) for individual appliances or 7' (2.0 m) for Side-by-Side installation

## 5. Other

- Stepladder
- Dolly, hand truck
- Hammer drill for drilling holes in wall or floor
- Bits according suitable for material and in different sizes
- Wooden beam (cross section min. 3" x 4") as an alternative tilt protection, length according to the width of the installation cavity
- Wooden screws in different sizes
- Thin (max. 1/16" (1.5 mm)), suitable material to protect the floor from damage (e.g. lino)
- Suitable material for covering and protecting furniture (e.g. protective sheets)
- Adhesive tape

# Installation instructions

## CAUTION

The following installation instructions describe the installation steps for various appliance types:

- Refrigerator units
- Freezer units
- Freezer units with ice maker
- Freezer units with ice-water dispenser
- Wine storage units

Therefore the diagrams may not be a true representation of your appliance.

Particular reference is made to special installation steps for individual appliance types.

## 1. Checking the installation cavity

### CAUTION

To ensure a safe, trouble-free installation and an optimum overall view of the subsequent furniture front, thoroughly check that the installation cavity complies with the installation requirements.

Before starting the installation, check that the installation cavity complies with all requirements for a safe and trouble-free installation.

- Check the base.  
Follow the instructions in the section on “Installation location” on page 7.
- Check the dimensions of the cavity.
- Check that the cavity is square.
- Check location of the socket.  
Also follow the instructions in the section on “Connecting the power” on page 8 and in the section on “Installation dimensions” on page 9.
- Check location of the water connection.  
(only for appliances with ice maker)  
Also follow the instructions in the section on “Connecting the water” on page 8.
- Check attachment of the adjacent furniture/fixtures.  
All furniture parts in the vicinity of the appliance must be connected securely to the wall.
- Check that adjacent furniture/fixtures do not collide (door opening angle).

## 2.. Transport of the appliance

### CAUTION

The appliance is very heavy. Be careful, otherwise people who are helping may be injured or the appliance may be damaged.

- Transport the appliance to a suitable installation location with suitable means of transportation (trolley, lifting truck or hand-driven truck).
- Secure the appliance during transportation to prevent it from overturning.

The appliance is 2134 mm tall. If the appliance cannot be transported in an upright position due to the structural conditions, the appliance can be transported horizontally.

### CAUTION

**Do not erect the appliance via the side panels – risk of damage!**

When erecting the appliance, observe the required minimum height at the installation location according to the following table:

Appliance width	Erection via appliance rear	Erection via appliance side panel
18" / 457 mm	86" / 2185 mm	<p><b>Do not erect the appliance via the side panels!</b></p>
24" / 610 mm	86" / 2185 mm	
30" / 762 mm	86" / 2185 mm	

### 3. Removing the packaging



#### WARNING



- The appliance may tip over while it is being unpacked.
- The appliance is very heavy.
- When opening the appliance door, the appliance may tip forwards.

Be careful, otherwise people who are helping may be injured or the appliance may be damaged.

To protect the base from damage during installation:

- ❑ Attach a residual piece of carpet, lino, etc. to the floor with adhesive tape in front of the intended installation location.

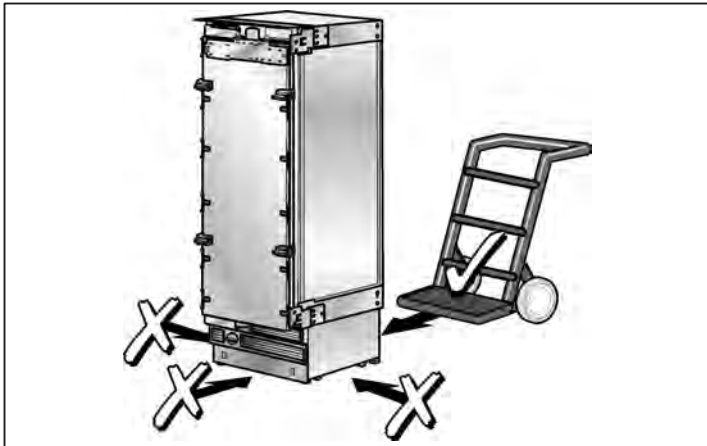


#### CAUTION



Always place the means of transport centrally on the rear side of the appliance. Never push it in from the front or from the side under the appliance.

**Risk of damage to the appliance!**



- ❑ Move the appliance with a hand truck securely.
- ❑ Remove transportation packaging:
  - Remove the cartoon. Use the cutter securely to protect the surface of appliance.
  - Take supplied accessories out of protection parts of packaging.



#### CAUTION

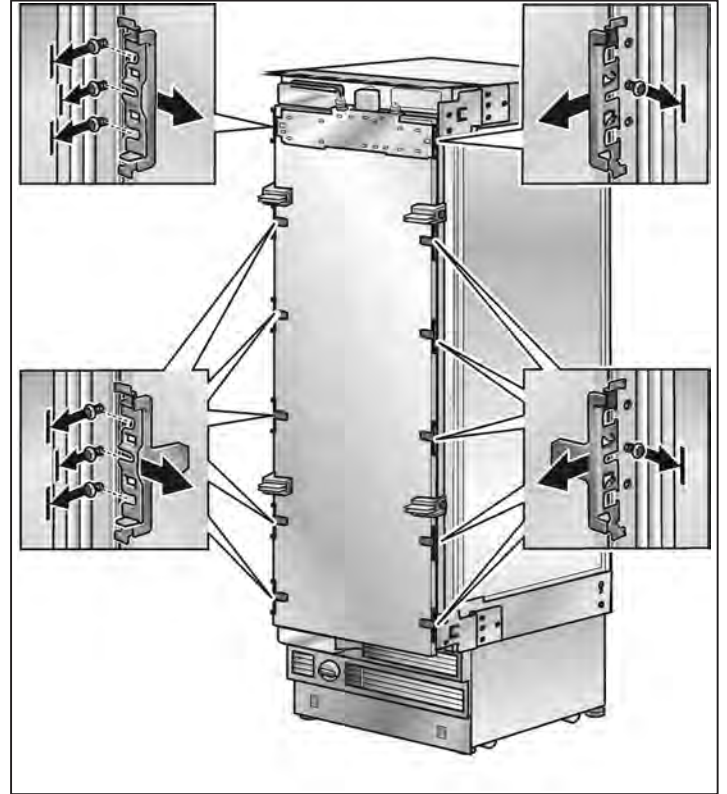


Do not remove transportation safety devices which protect the shelves and storage compartments inside the appliance until the installation is complete, otherwise the parts may be damaged.

- ❑ Check appliance for damage in transit.  
Do not install the appliance if it is visibly damaged.  
If in doubt, contact your dealer.

### 4. Preparing the appliance

- ❑ Remove the side brackets and fixing plates which attach the furniture fronts.  
To do this, loosen the fastening screws and remove the stop parts.
- i** Store the stop parts in suitable receptacles, otherwise they may get lost.



## 5. Changing over the door hinges



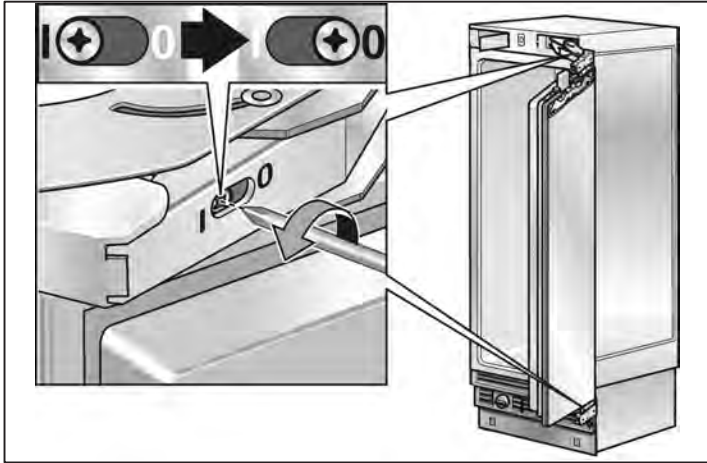
### CAUTION



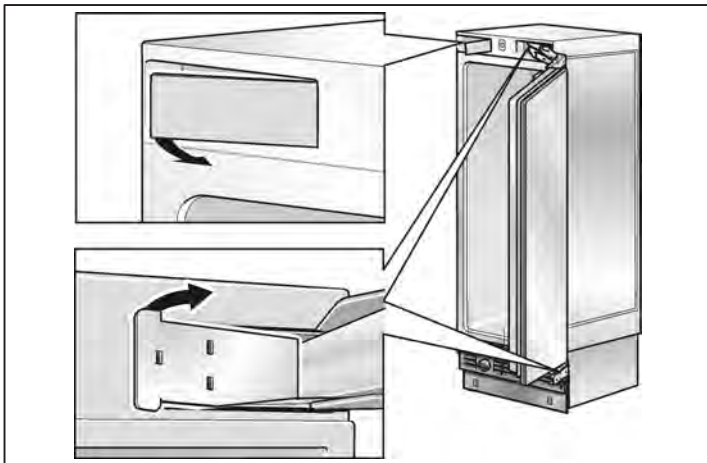
Before working on the hinge, release the spring – risk of injury!

The door hinges may have to be changed over depending on the installation situation.

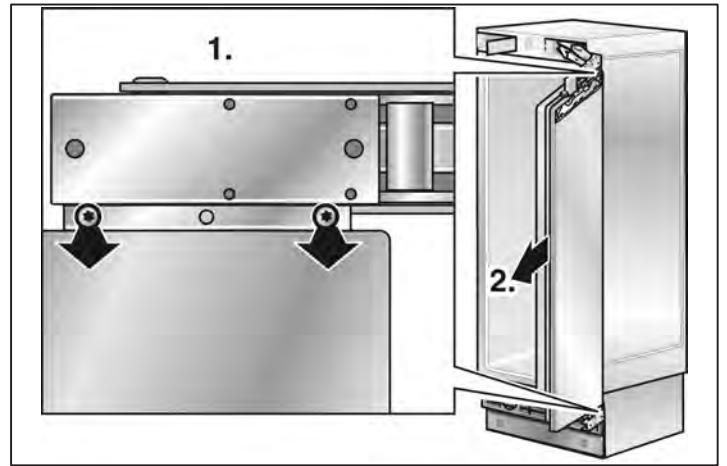
- i** If it is not necessary to change over the door hinges, continue with the next installation step.



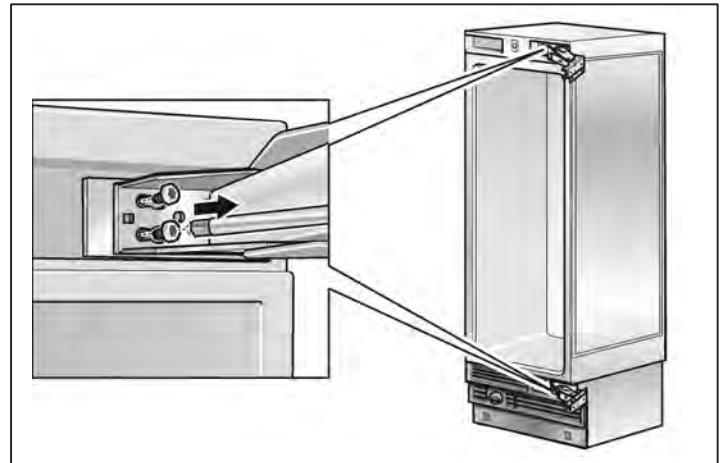
- Release the spring on the hinge. Loosen the screw from I to 0.



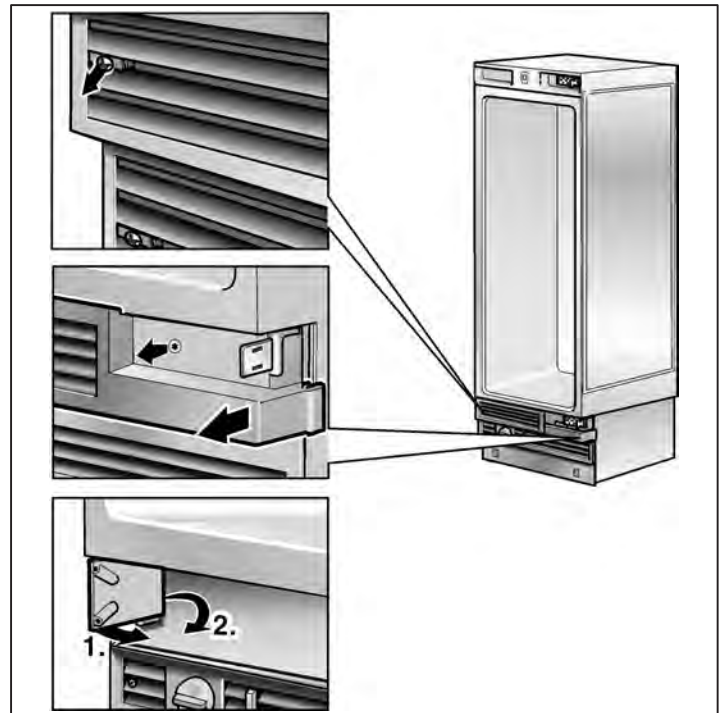
- Remove the hinge box covers.



- Unscrew the door.



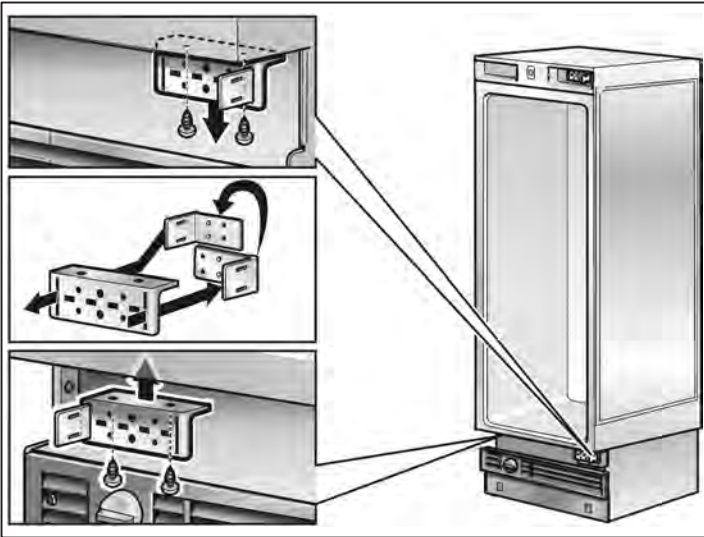
- Remove the hinges.



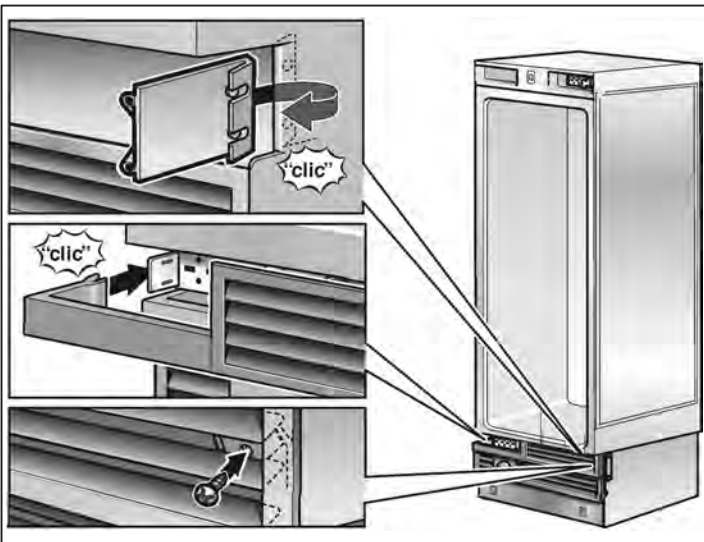
- Remove the parts of grill.

- i** It will used new parts.

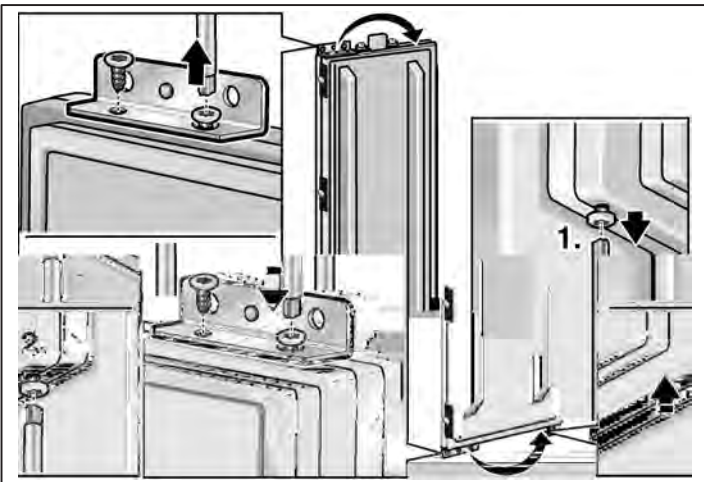




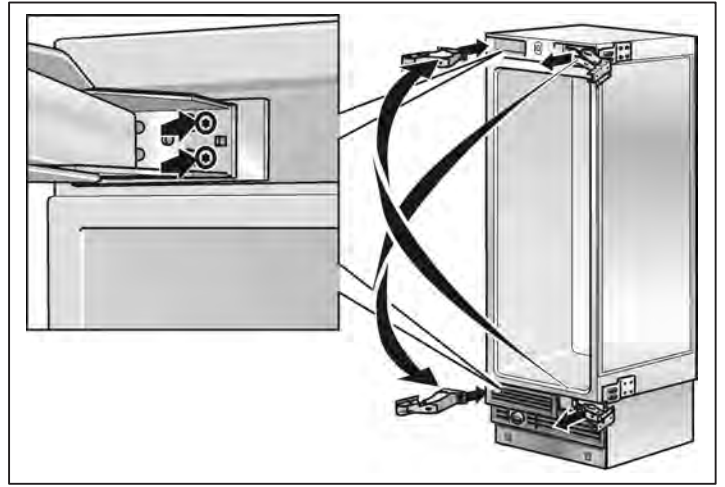
- ❑ Change over the hinge angle.



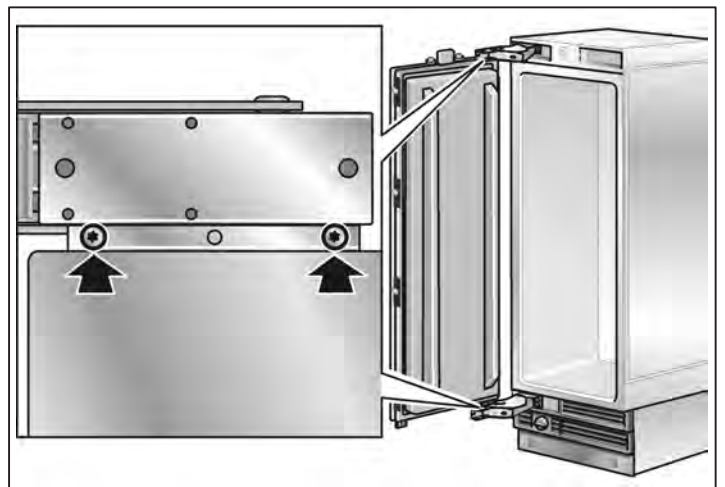
- ❑ Fit the plastic part of the grill.
- ❑ Mount the grill completely.



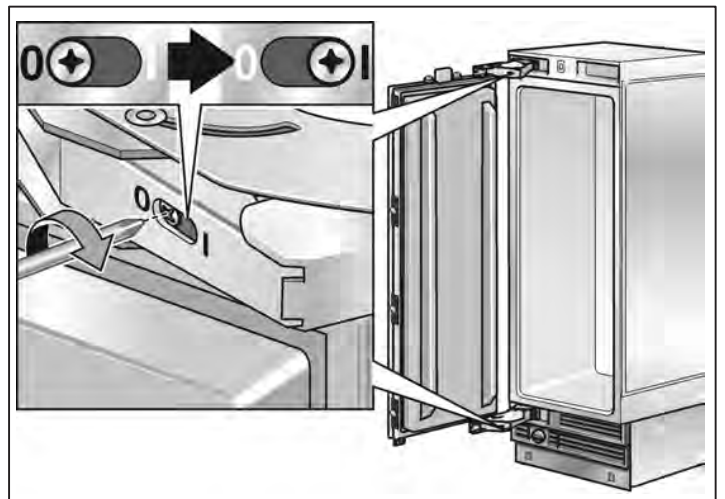
- ❑ Change over the fixation parts on the door.



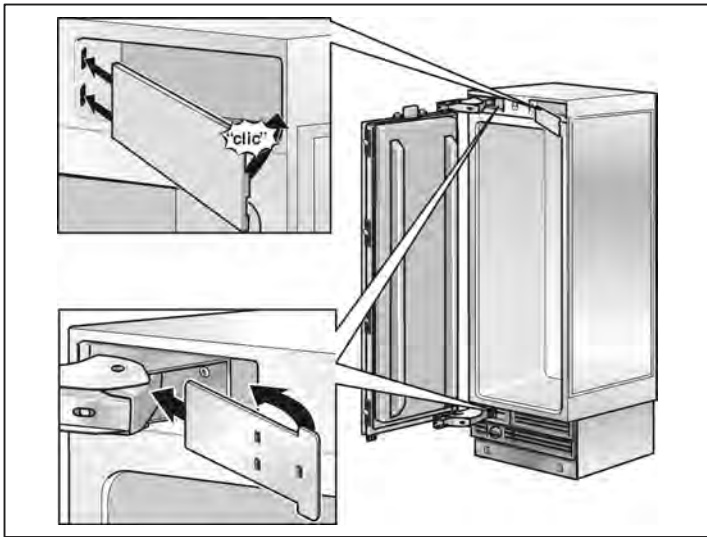
- ❑ Fix the hinges on the appliance. Change the hinges crosswise!



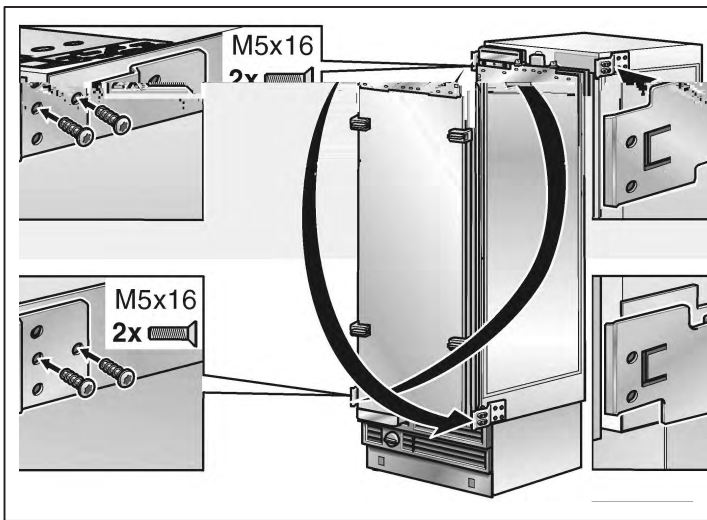
- ❑ Fix the door.



- ❑ Span the spring on the hinge. Tighten the screw from 0 to I.



- ❑ Fix the hinge box cover.



- ❑ Change the attachment plates crosswise.

## 6. Preparing the installation cavity

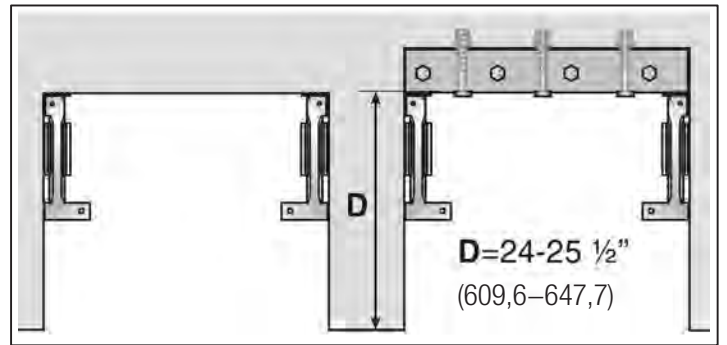
- i** 2 anti-tip-brackets are required for each appliance or appliance combination (Side-by-Side).
- ❑ Specify the attachment points of the anti-tip-brackets.  
Specify the detailed dimensions according to the section on “Installation dimensions” starting on page 9.



### WARNING



Assure that there are no electrical wires or plumbing in the area which the screws could penetrate – risk of injury and damage!



- ❑ If the installation cavity is deeper than the appliance, place a solid wooden beam behind the anti-tip-brackets and attach securely to the base or the wall.  
The length of the wooden beam is equal to the width of the installation cavity!



### IMPORTANT NOTE



If possible, always screw the wooden beam to existing studs on the rear panel of the cavity.

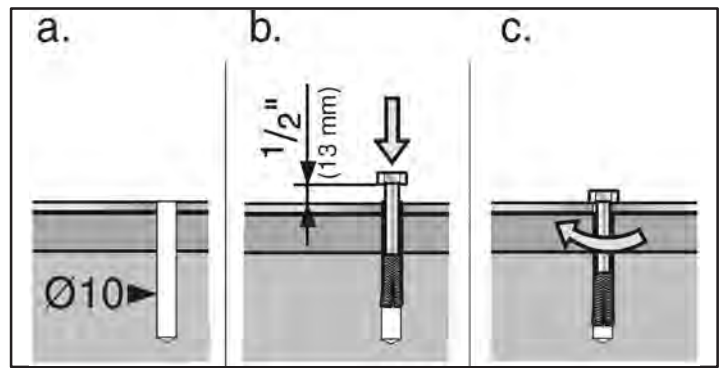
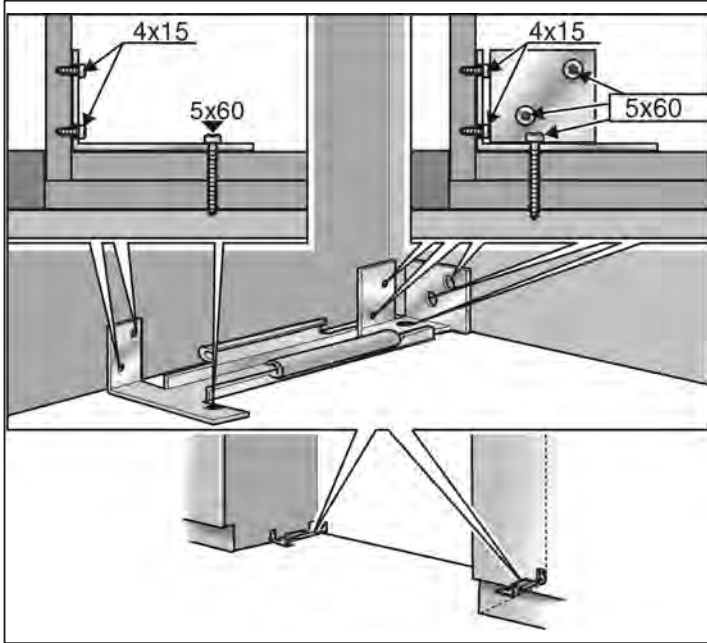
In some installations the sub-flooring or finished floor may necessitate angling the wood screws used to fasten the anti-tip-brackets to the back wall.

- i** Important information for secure attachment of the anti-tip brackets:
  - The supplied set contains fastening screws for various applications. Select the fastening screws according to the local conditions.
  - If the supplied fastening screws do not permit secure attachment of the anti-tip brackets and therefore the appliance, another method must be used to attach the anti-tip brackets securely.

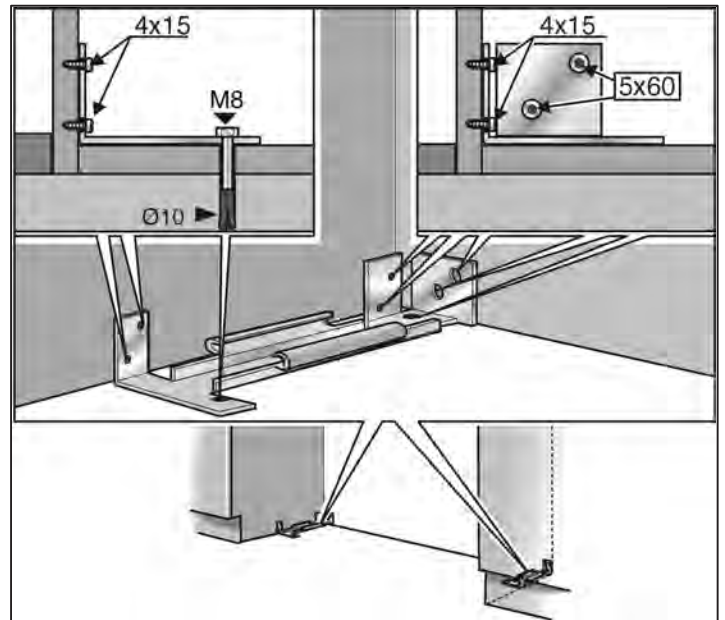
## Wood floor application

Use the wooden screws provided, see overview diagram "Use the screws in the screws set".

- ❑ Drill pilot holes:
  - $1/8$ " (3 mm) for the (5 x 60 mm) wooden screws
  - $5/64$ " (2 mm) for the (4 x 15 mm) wooden screwsBeing certain the screws penetrate through the flooring and into the wall plate a minimum of  $3/4$ " (19 mm).
- ❑ Attach the anti-tip-bracket completely. Be sure screws hold tight.



- ❑ Manually insert the screw into the wall plug until the screw begins to resist.
- ❑ Knock the wall plug and screw into the hole until the screw head is approx.  $1/2$ " (13 mm) from the anti-tip bracket.
- ❑ Tighten the screw.



## Concrete floor applications



### CAUTION



Always wear safety glasses and other necessary protective devices or apparel when installing or working with anchors – risk of injury!

Not recommended for use in light-weight masonry material such as block or brick.

Not recommended for use in new concrete which has not had time to cure.

Do not use core drills to drill holes for this anchor.

Use concrete anchor M8 and M8 screw. Additional use the wooden screws provided, see overview diagram "Use the screws in the screws set".

- ❑ Drill a 10 mm diameter hole any depth exceeding the minimum embedment. Use the provided drill.
- ❑ Clean hole or continue drilling additional depth.

## 7. Attaching an alternative anti-tip device

### ! IMPORTANT NOTE !

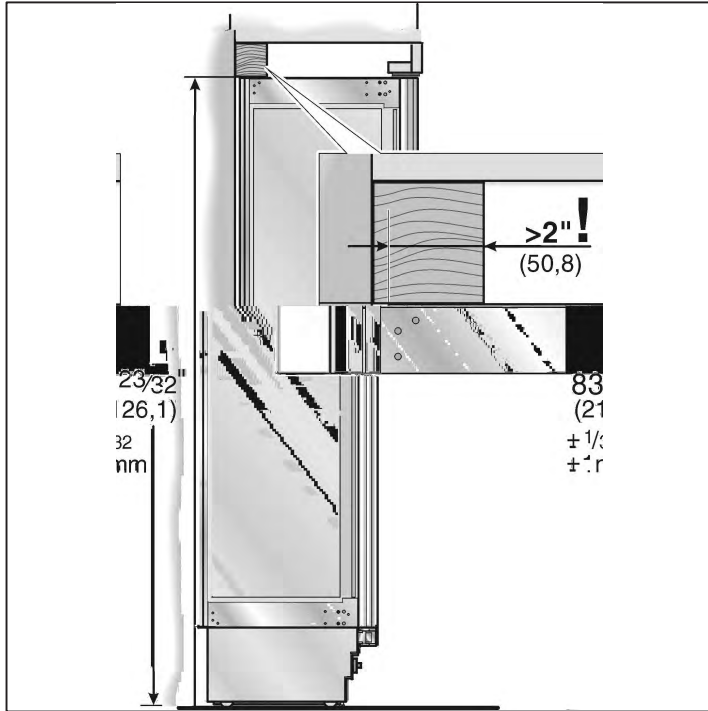
If possible, always screw the wooden beam to existing studs on the rear panel of the cavity.

If the anti-tip brackets cannot be attached securely, an alternative anti-tip device can be attached. However, ensure that there is no play between the appliance and the anti-tip device.

- ❑ Saw the wooden beam (cross section min. 3" x 4") to the required length.  
Length is equal to the width of the installation cavity!

#### **i** Note

- If the installation cavity is deeper than the appliance, select a beam which has a larger cross section or attach 2 beams.
- The beam must cover the appliance by at least 2" (50.8 mm).



- ❑ Mark the installation height (lower edge of the beam) on the rear panel of the cavity.
- ❑ Select screws according to the thickness of the wooden beam: length = min. 2.5 x beam thickness, diameter #12 or #14.
- i** Specify the number of screws according to the cavity width, thereby ensuring that the beam can be attached securely.

- ❑ Locate wall studs near the rear panel of the cavity and mark drill holes in the beam.
- ❑ Predrill the wooden beam.
- ❑ Attach the wooden beam to the rear panel of the cavity.

## 8. Preparing to connect the water

(only for appliances which require a water connection)

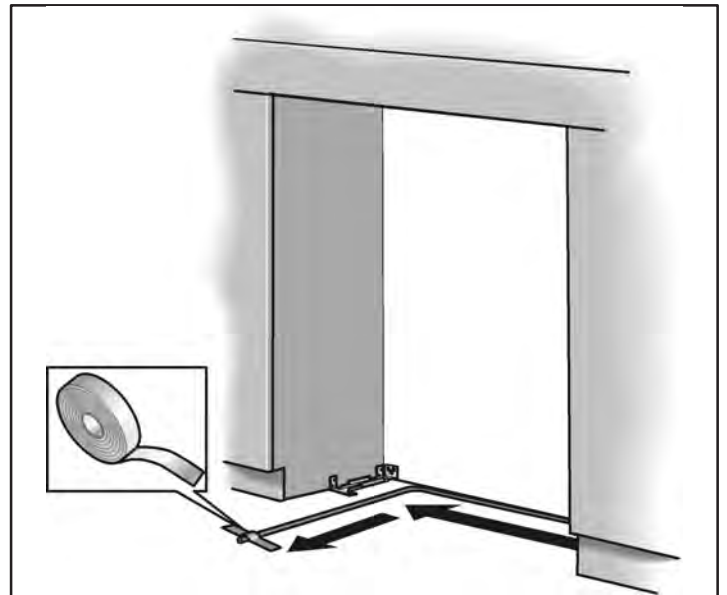


### CAUTION



Turn off the main water tap to prevent damage caused by leaking water.

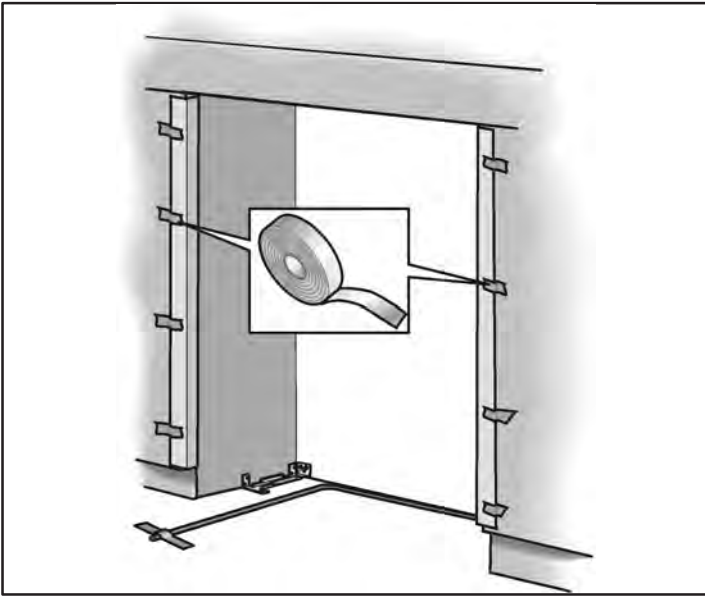
- ❑ Attach the connecting pipe to the shut-off valve according to the instructions supplied by the manufacturer of the ice maker installation kit.
- ❑ Install the connecting pipe. Always observe the indicated gap dimensions to prevent damage to the connecting pipe when pushing in the appliance.



- ❑ Attach the connecting pipe to the floor with adhesive tape.



## 9. Attaching the edge protection

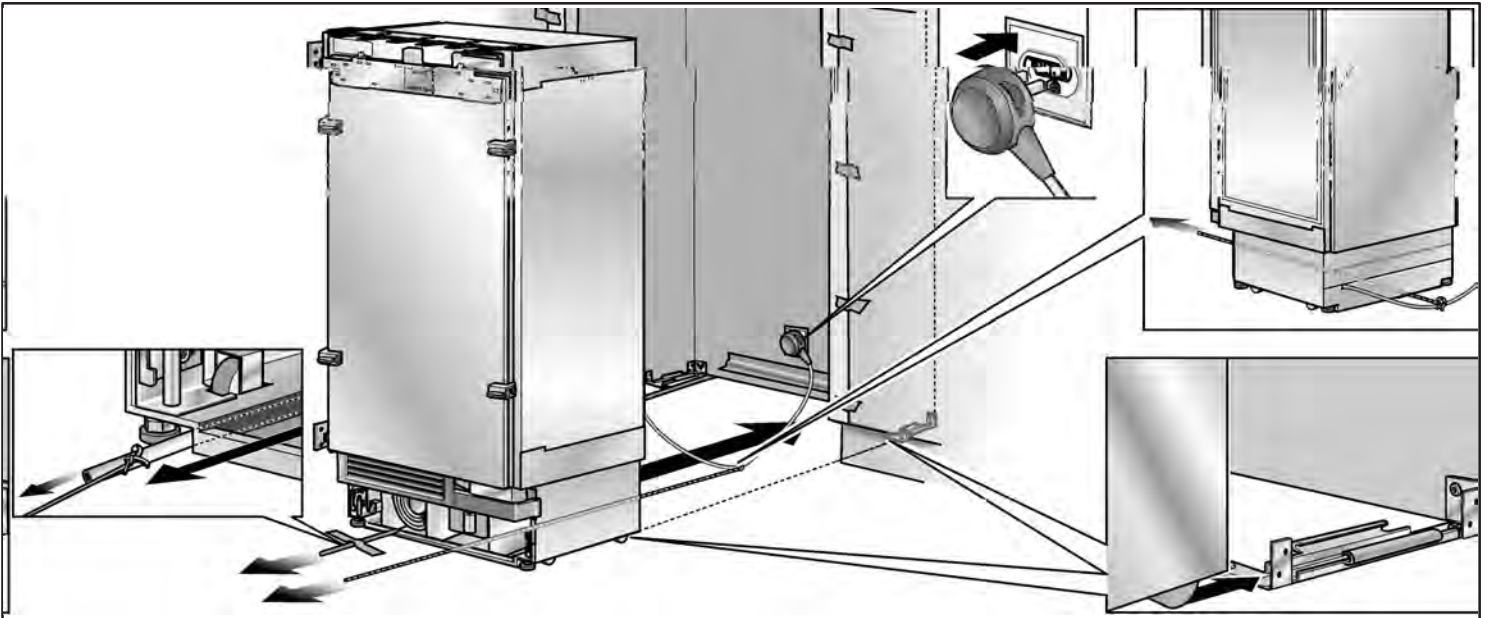


- ❑ To protect the corners of the installation cavity, attach the supplied protective brackets with adhesive tape.

## 10. Side-by-Side installation

- i** If a side-by-side installation is intended, now connect the two appliances together. See the Installation Manual for the Side-by-Side kits.

## 11. Pushing the appliance into the installation cavity



### CAUTION



Caution when pushing the appliance into the installation cavity. Do not damage the water pipe or power cord attached to the floor.

- i** When the floor or the appliance is tilted in comparison to the installation cavity adjust height adjustable wheels before you move the appliance into the installation cavity.

- ❑ Put the mains plug into the socket.

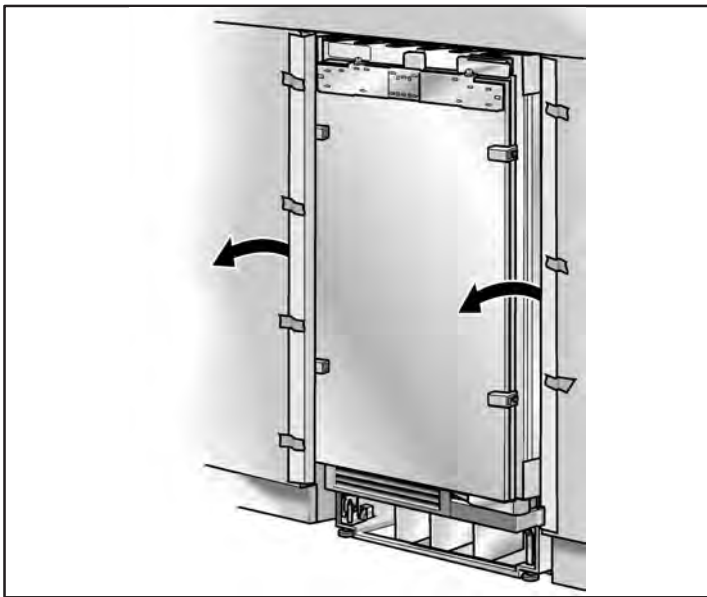
**i** In the case of Side-by-Side appliances a separate socket must be used for each appliance.

- ❑ Prevent the power cord from becoming caught.  
Tie a piece of string to the middle of the power cord and feed forwards under the appliance. When pushing in the appliance, pull the cable forwards.

or

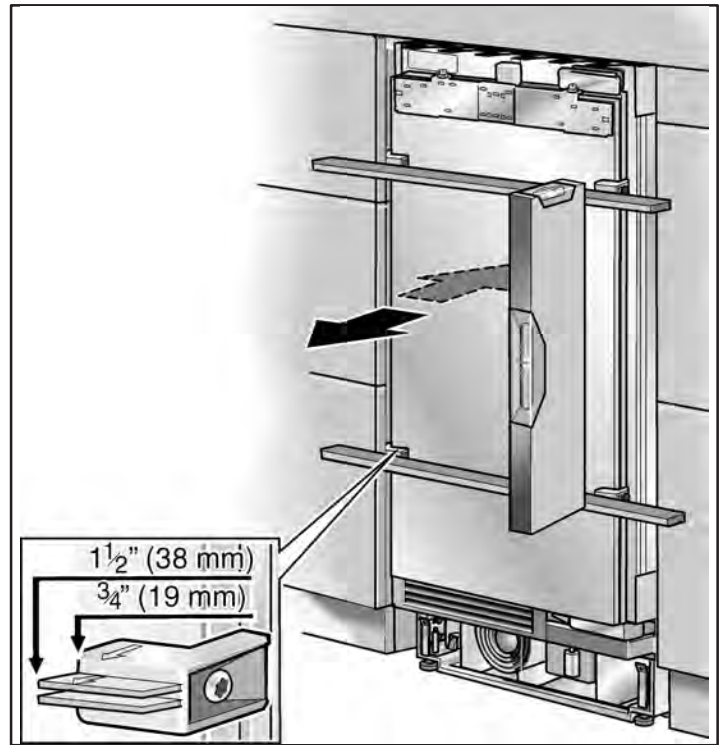
Using adhesive tape, stick the power cord to the floor centrally behind the appliance approx. 15" (380 mm) away from the rear panel of the cavity.

- ❑ Carefully push the appliance into the cavity until the height-adjustable wheel interlock with the anti-tip brackets.



- ❑ Remove edge protection.

## 12. Installing and aligning the appliance



- ❑ Align the appliance with the furniture fronts.  
Place marking-out level over the installation aid parts on the door.
- i** The installation aid parts on the door have been designed for the following total thickness of furniture doors:
  - 3/4" (19 mm)
  - 1 1/2" (38 mm)
 Always take account of the possible differing thickness of the furniture fronts which are to be fitted subsequently.

The height-adjustable feet at the front and rear can all be adjusted from the front.

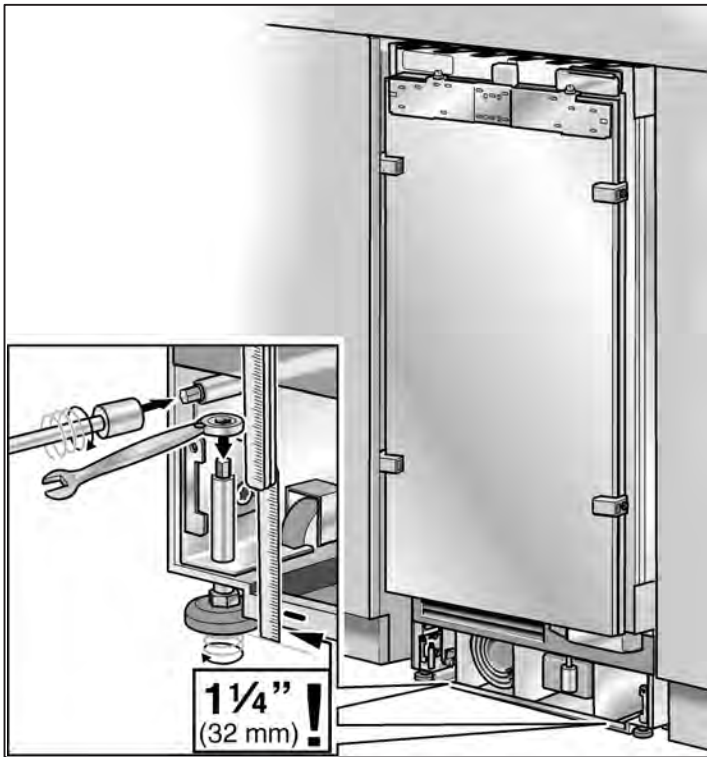
Front: with open-ended wrench 1/2" (SW13)

Rear: with 5/16" (8 mm) hex nut driver via flexible shaft.

**CAUTION**

Never use a cordless screwdriver!

A mark is attached to the appliance base and is used as a standard gage for height adjustment. When adjusting the height, align this mark at a height of 1 1/4" (32 mm) above the floor.



- Unscrew the height-adjustable feet until the mark on the base has reached the indicated guide dimension (1 1/4" / 32 mm).

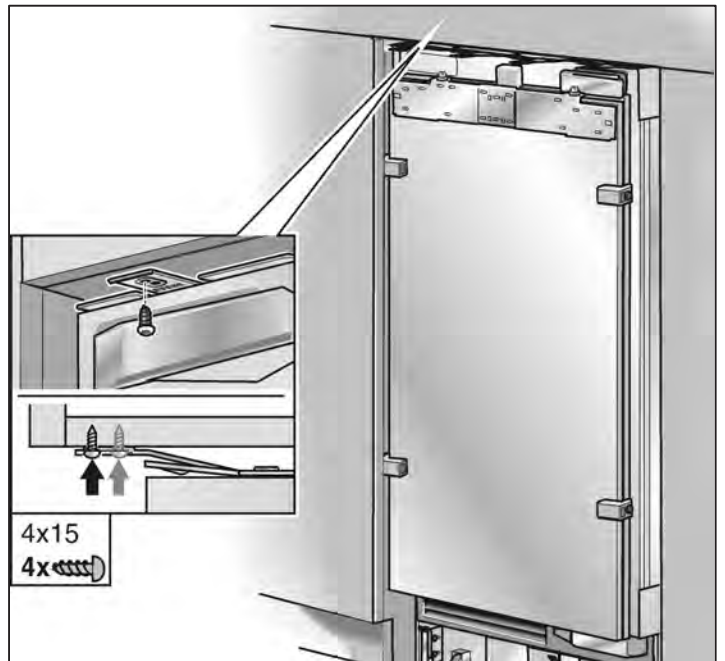
**i** It is very important to comply with this dimension for the subsequent alignment of the furniture fronts.

- Align the furniture fronts with the spirit level.

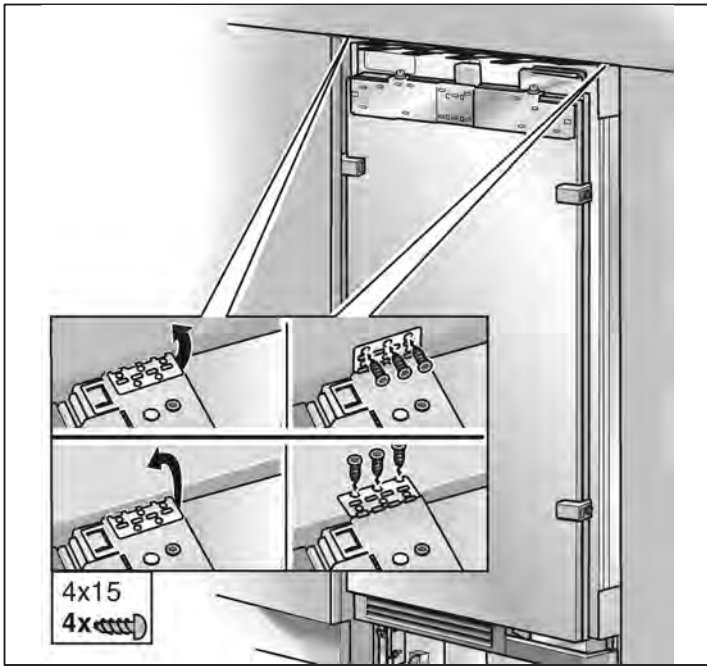
**i** Note:

- Do not twist or jam the appliance inside the cavity! When unscrewing the height-adjustable feet, proceed gradually: Always alternate between left and right, left and right, etc..
- The adjustment of the rear feet is facilitated if the appliance is unloaded at the rear.
- If using a wooden beam as an alternative anti-tip device according to point 6 of this installation manual, rotate the appliance all the way towards the wooden beam.

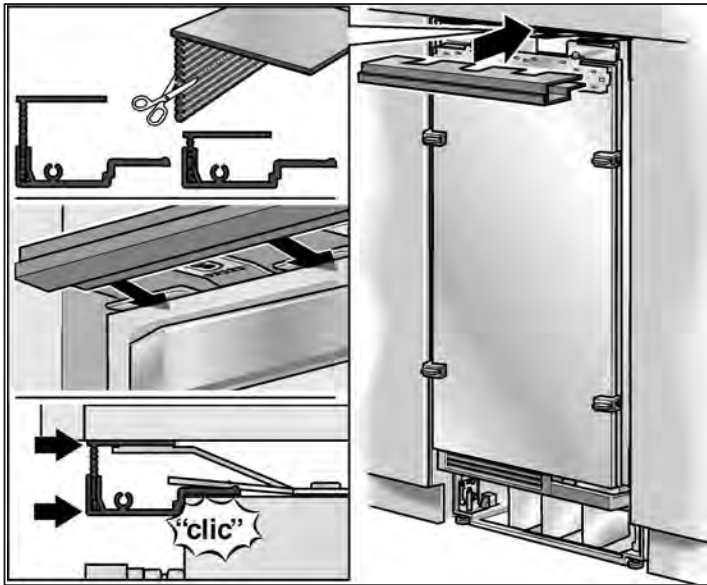
### 13. Attaching the appliance to the top of the cavity



- Screw the attachment plate lugs (top) to the overhead furniture/fixtures.

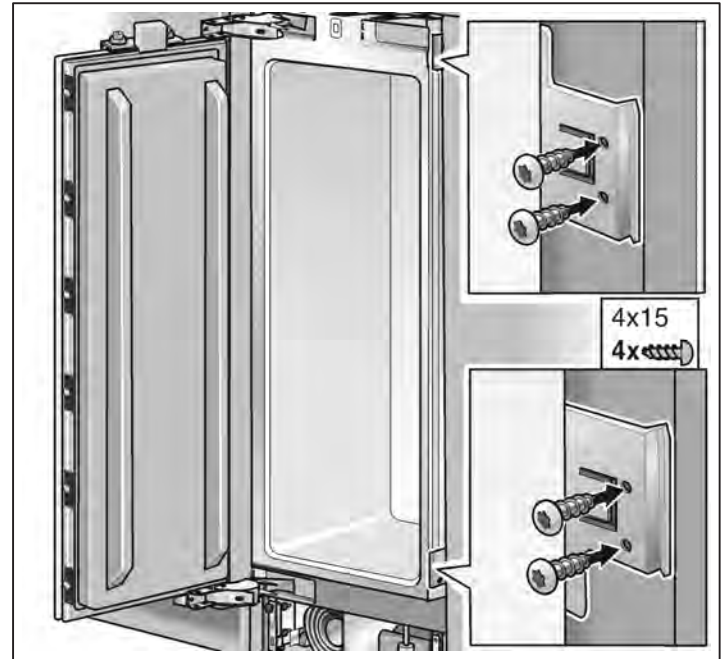


- ❑ Fix the attachment plate side lugs (top) depending on the installation situation. If there is no gap or only a slight gap, it is not necessary to fix the side lugs.
- ❑ If there is a fairly large gap above the appliance, fit a wooden beam above the appliance, ensuring that the wooden beam fits the gap exactly.



- ❑ Attach the cover strip to the attachment plate (top). Shorten the fitting strip to the required height!

## 14. Attaching the individual appliance to the side of the cavity



- ❑ Screw the attachment plate lugs (side) to the adjacent furniture/fixtures (individual appliances only).

## 15. Connecting the water to the appliance

- i** When connecting the water pipe to the solenoid valve of the appliance, follow the instructions supplied by the manufacturer of the ice maker installation kit enclosed with the installation manual.

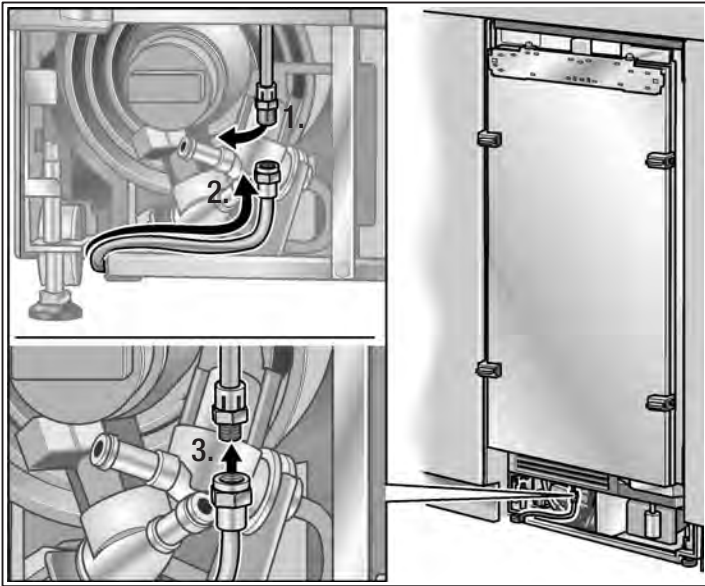


**CAUTION**



When bending the water pipe, do not kink it, otherwise there is a risk of leaks and water damage. Use bending aids.





- ❑ Remove the cap from the appliance connection ①.
- ❑ Bend the water pipe according to the location of the connection on the appliance ②.
- ❑ Push the union nut and seal onto the water pipe.
- ❑ Push the end of the water pipe into the appliance connection and screw on the union nut ③. Tighten hand-tight.
- ❑ Using the open-ended wrench, tighten the union nut. Do not overturn!
- ❑ Open the shut-off valve and main water tap. Check the connection on the shut-off valve and on the appliance for leaks.

## 16. Attaching the toe kick panel

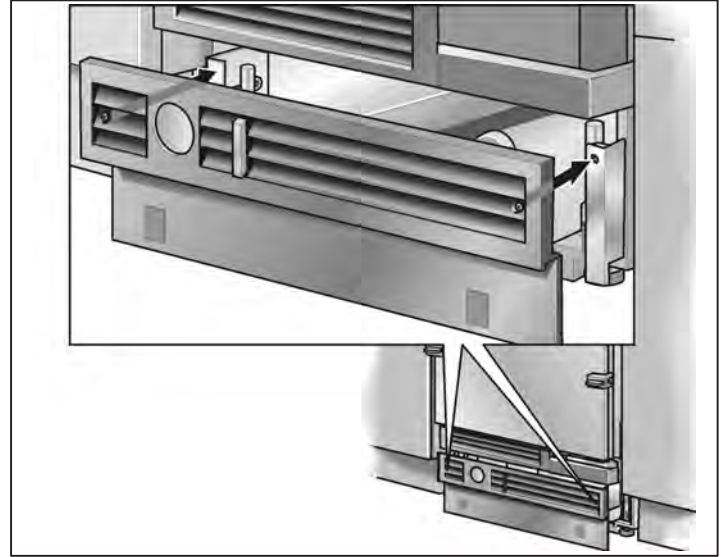


### CAUTION

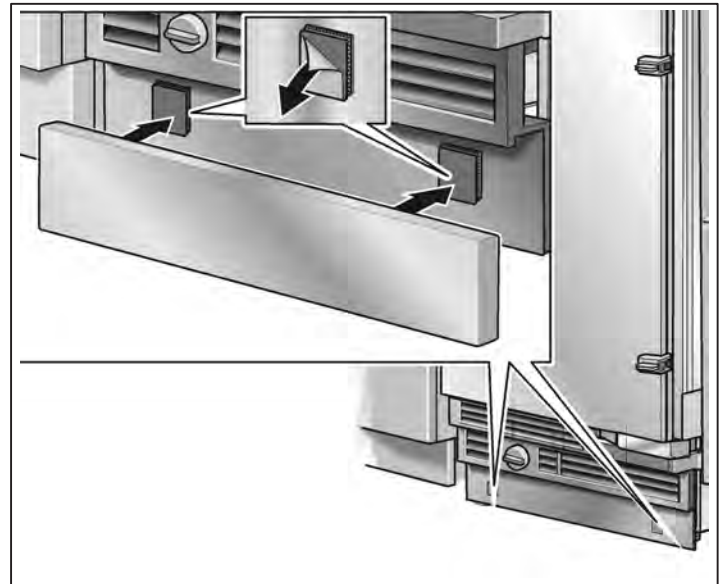


The maximum height of the toe kick panel is 4" from the top of the floor. Do not cover ventilation slots in the base panel. Risk of damage to the appliance.

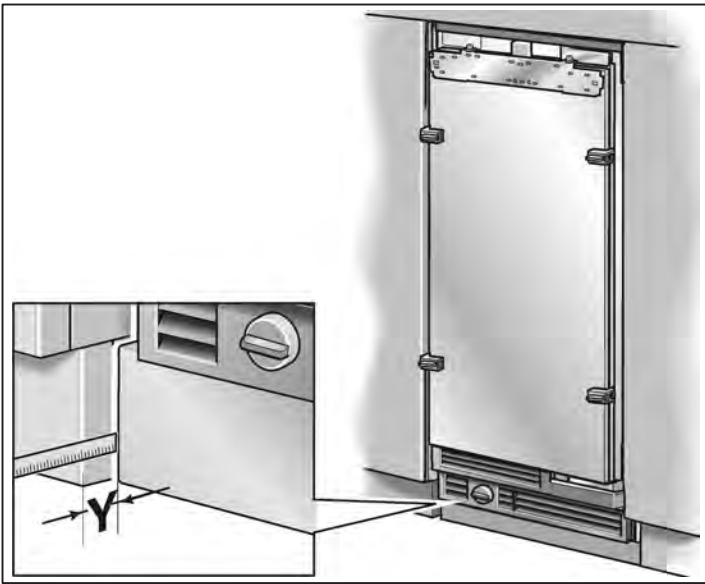
- ❑ If required, cut the toe kick panel to the required length.



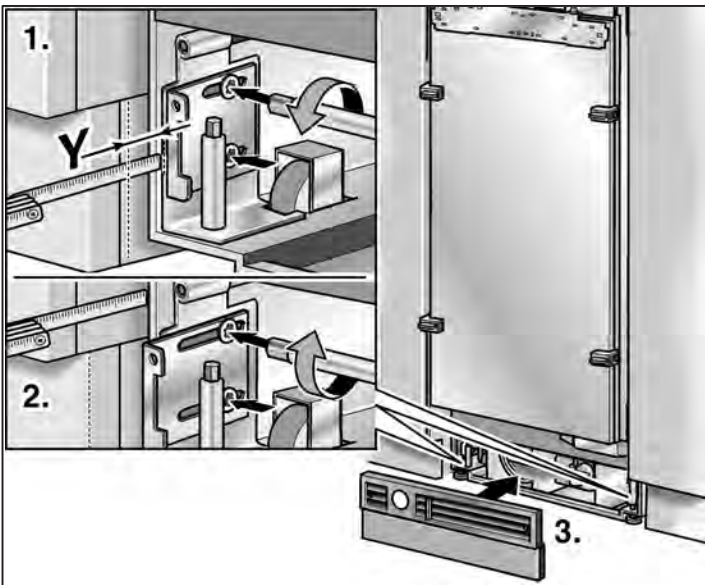
- ❑ Attach the base panel to the appliance.



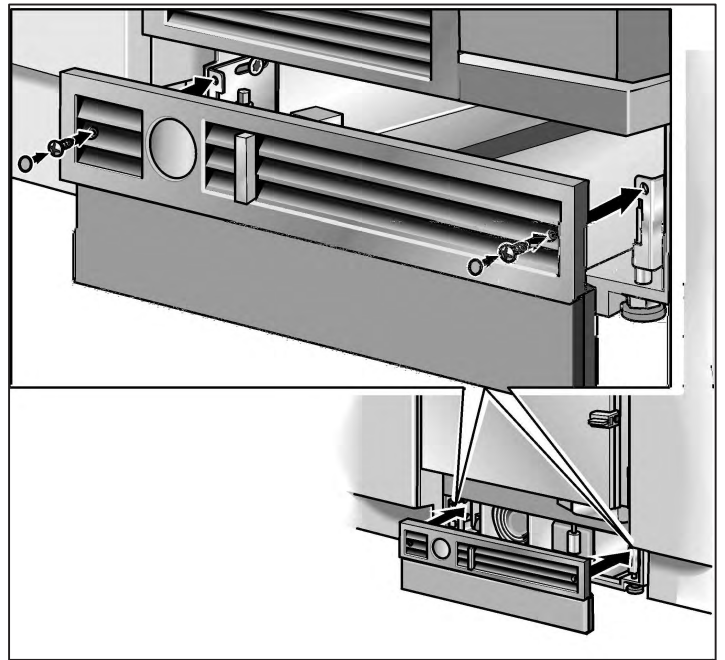
- ❑ Remove the protective film from the adhesive pads on the Velcro.
- ❑ Fit the toe kick panel to the base panel and press firmly into place.



- ❑ Put on the base panel (do not screw on) and measure the difference in depth Y between the base panel and toe kick panel of the adjacent furniture.
- ❑ Remove the base panel.
- ❑ Loosen the brackets for attaching the base panel and push in all the way.



- ❑ Pull out the brackets by the measured amount Y.
- ❑ Screw the brackets tightly.



- ❑ Attach the base panel.
- i** If required, the toe kick panel can be screwed to the base panel. There are screw holes in the base panel near the Velcro.

## 17. Commissioning the Appliance

To guarantee the accuracy of the following working steps and thus the appearance of the overall kitchen front later on, the appliance should now be operated.

- ❑ Open the appliance door.
- ❑ Press the POWER button.

**Only for appliances with a water connection:**

!

**NOTE**

!

In order to avoid the risk of damage caused by leaking water from damage possibly caused to the water pipe feeding the appliance, keep the shut-off valve closed.

## 18. Preparing the furniture doors

### ! IMPORTANT NOTE !

When performing any work on the furniture doors, always observe the following:

- Always screw into the best load-bearing material of the furniture door.
- Never screw into fillers, decorative strips or similar.
- Select a screw length which is always shorter than the thickness of the furniture front.
- To prevent damage, protect surfaces of the furniture doors during installation.

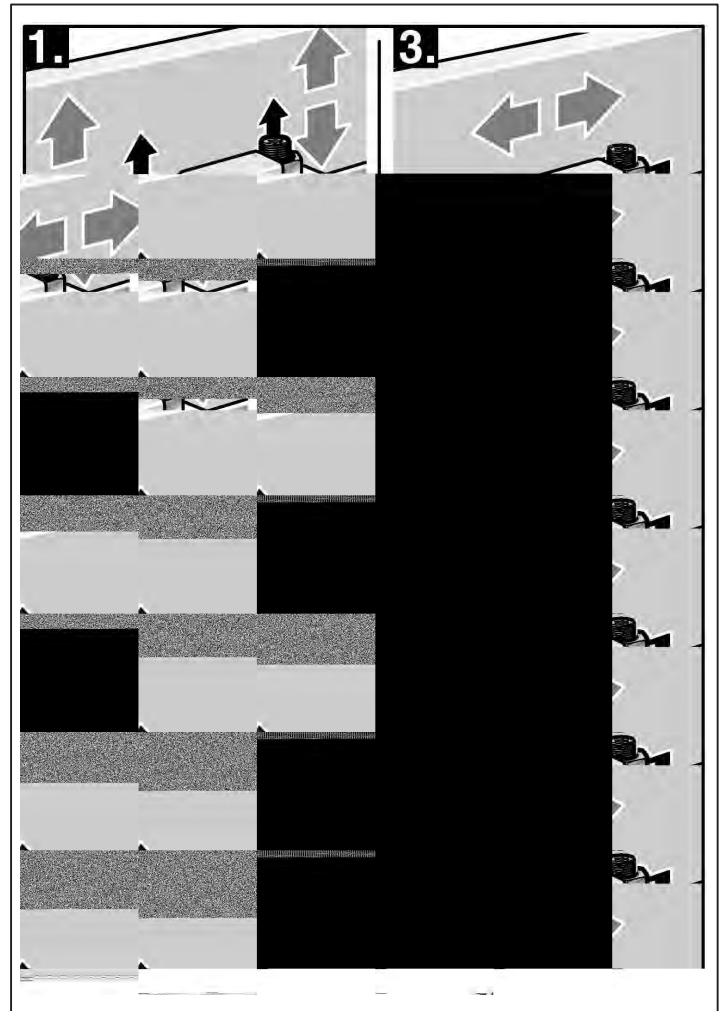
The total weight of the furniture front must not exceed the following values:

18"	37 lbs / 17 kg
24"	50 lbs / 23 kg
30"	64 lbs / 29 kg

The furniture fronts are attached to the appliance door by means of fitting parts on the appliance. These fitting parts allow the furniture door to be adjusted precisely and attached securely to the appliance.

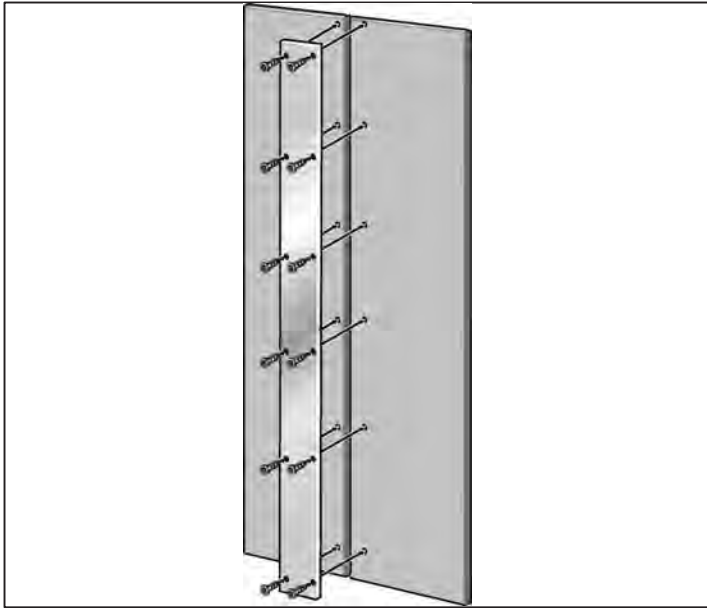
Function of different parts:

1. Double threaded bolt on the adjusting rail:  
for vertical adjustment of the furniture door.
2. Side brackets:  
for adjusting the depth of the furniture front.
3. Nuts on the double threaded bolt:  
for securing the furniture front to prevent lateral movement.
4. Lower brackets:  
for securing the furniture front to prevent lateral movement.



In the case of 30" and 36" wide appliances 2 adjacent furniture doors can be attached instead of one large door. These furniture doors must be connected to a metal strip on the rear.

This metal strip can be purchased from customer service as an optional accessory, see the section on "Optional accessories" on page 17.



When attaching the metal strip to the furniture doors, observe the maximum possible length of the screws and the position of the drill holes. Always screw into the best load-bearing material of the furniture door.

Never screw into fillers, decorative strips or similar.

**i** If only one furniture door is to be attached to the door of a 30" or 36" wide appliance, attach the supplied sandwich plate to the adjusting rail and lock into position.

## 19. Loading the appliance door

When attaching the furniture doors, it is recommended to load the door storage compartments in the appliance with weights in order to ensure that the gap width is as precise as possible.

Recommendations:

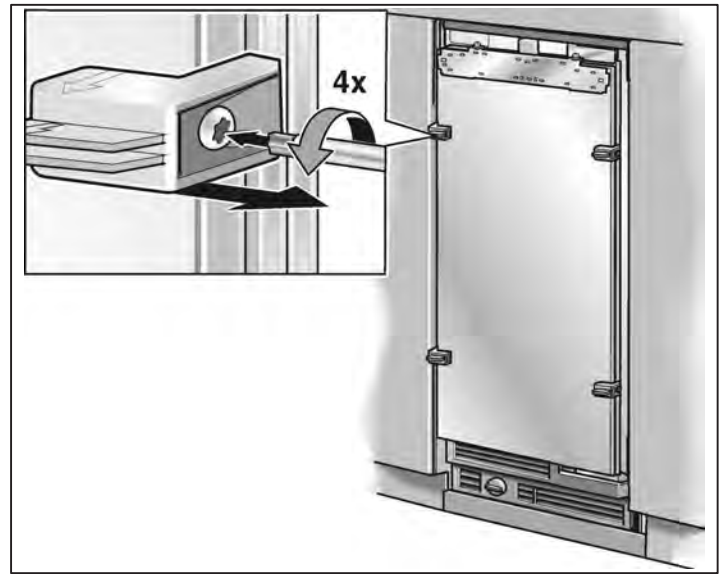
18" Appliance 22 lbs / 10 kg

24" Appliance 33 lbs / 15 kg

30" Appliance 44 lbs / 20 kg

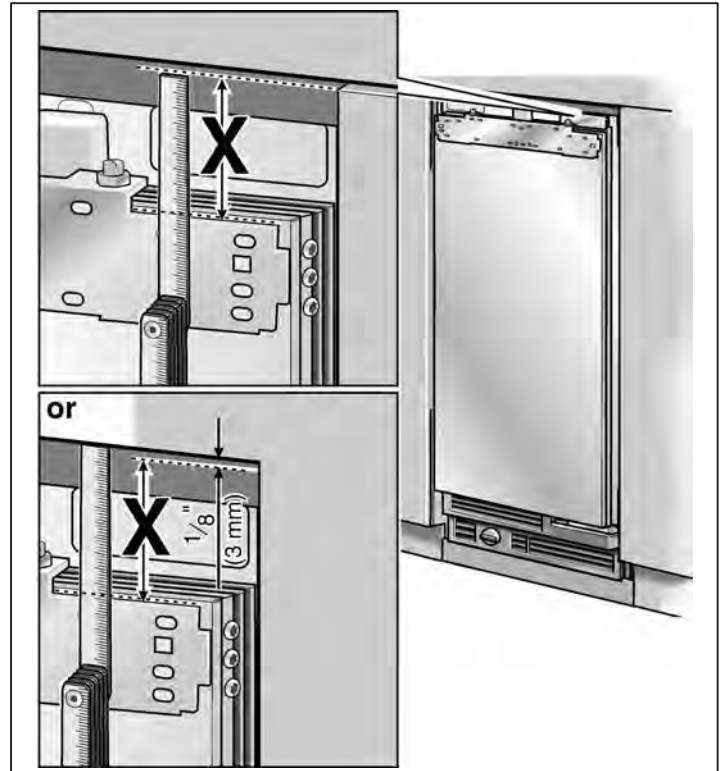
## 20. Attaching the adjusting rail to the furniture door

**i** The adjusting rail is the most important means of adjusting the furniture front.



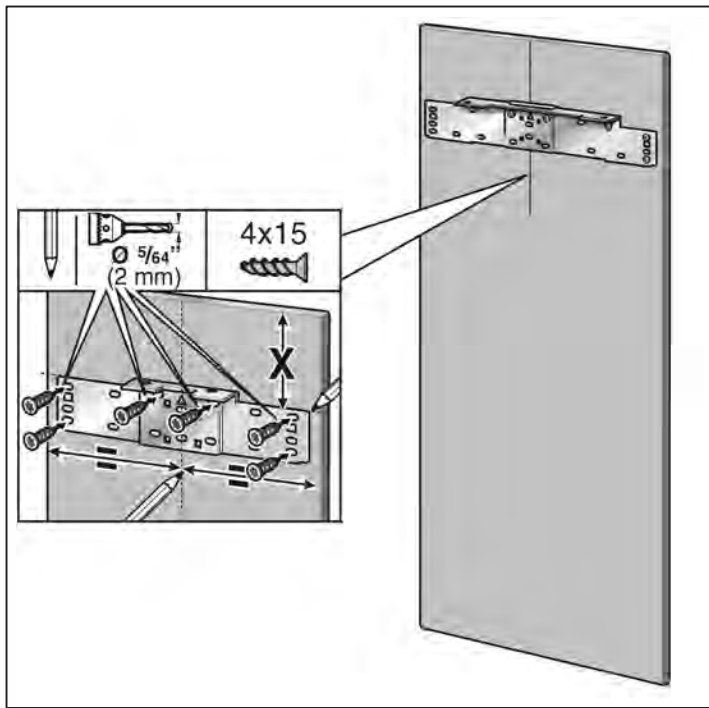
**□** Unscrew the installation support part from the appliance door.

**i** Store the positioning aids, there will be used in an installation step later.



**□** Measure the distance **X** between the adjusting rail and the overhead furniture/fixtures.

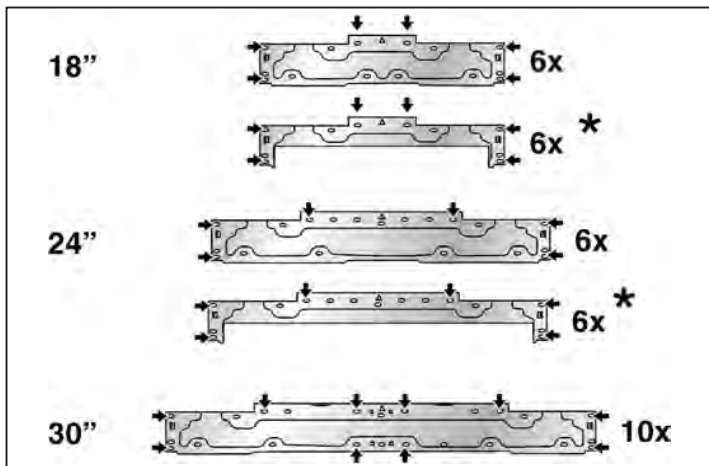




- Mark this amount **X** on the rear of the furniture door.
- Determine and mark the centerline of the furniture door.
- Loosen the 2 nuts and remove the adjusting rail.
- Put on the adjusting rail and align along the marks. Mark the drill holes.
- Drill the holes.
- Screw on the adjusting rail tightly.

**i Note**

- Attach the adjusting rail to the furniture door with at least 6 screws. One screw should be inserted under each double threaded bolt.

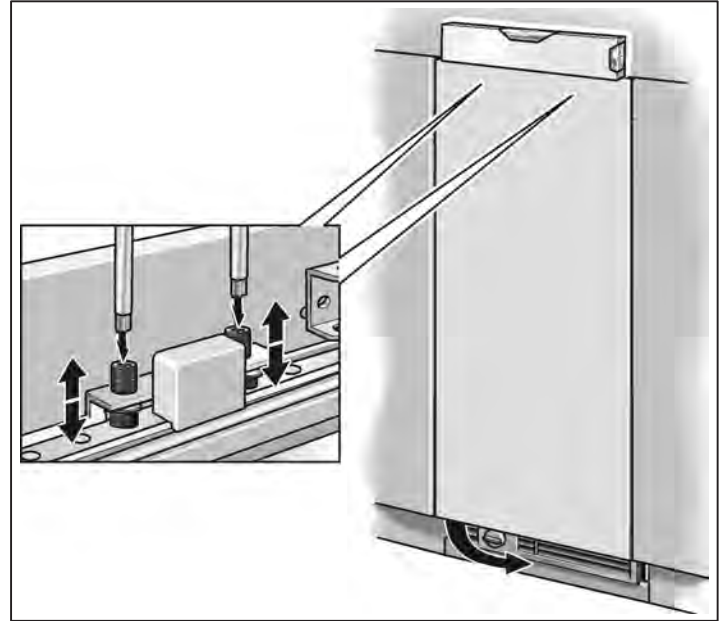


\* Wine unit

- The adjusting rail features a variety of holes for the many different design options of furniture doors. Always screw into the best load-bearing material of the furniture door.

## 21. Attaching and aligning the furniture door

- i** The double threaded bolts are responsible for adjusting the height of the furniture front.
- Hang the furniture door on the double threaded bolt.

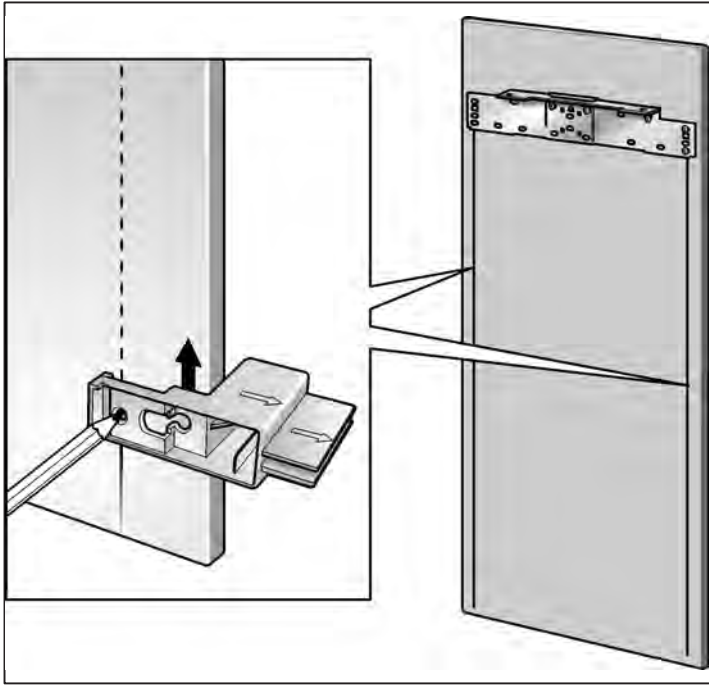


- Align the furniture door with the double threaded bolts (Torx screwdriver).

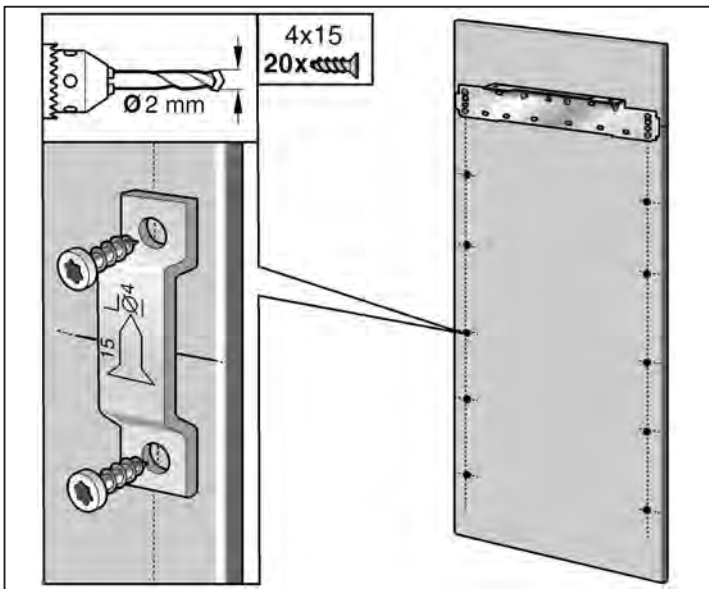


- Transfer the middle drill holes along the outer edge of the appliance door to the furniture front and mark.

- ❑ Remove the furniture door.



- ❑ Using the positioning aid, set both longitudinal sides of the furniture door parallel.
- ❑ Using a square, extend the drill hole marks which you have just made to the vertical marks.
- ❑ Mark and drill the holes.



- ❑ Screw on the fixing plates (10x).

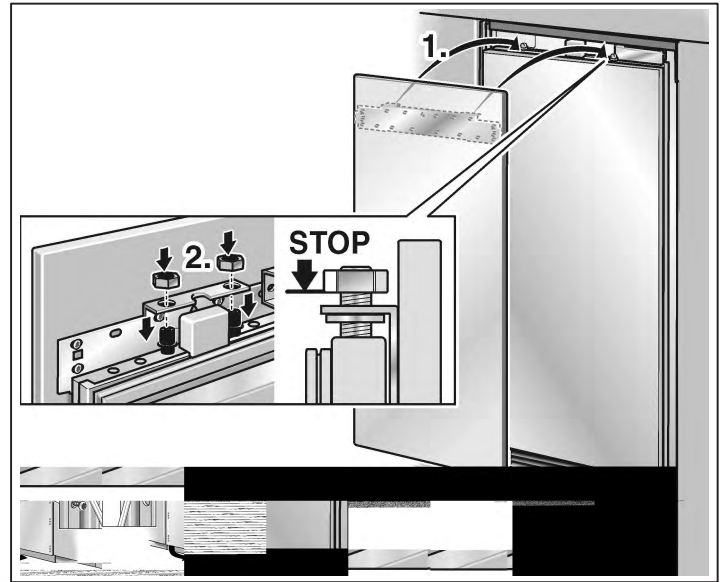
## 22. Attaching the furniture door

!

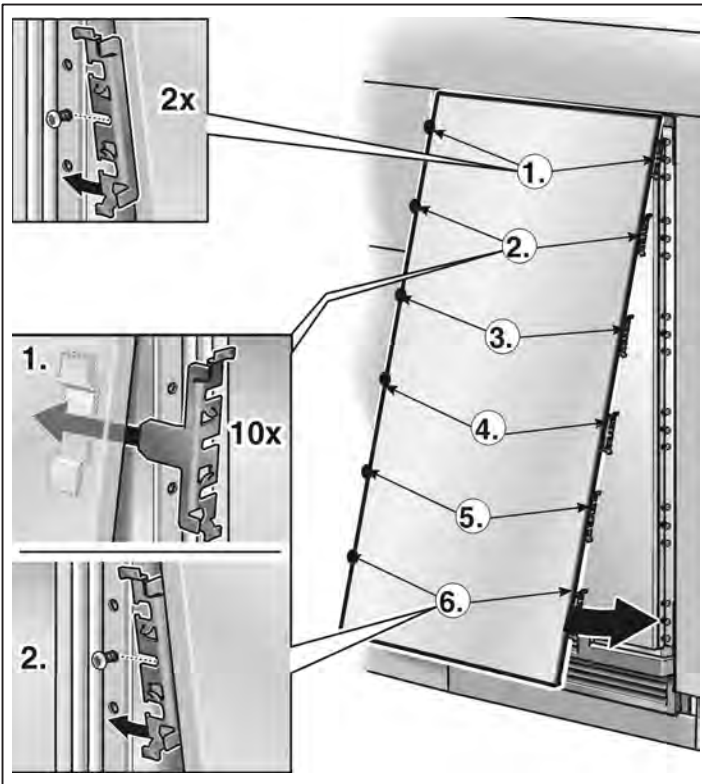
**NOTE**

!

Now fit the furniture handles which are screwed from behind!



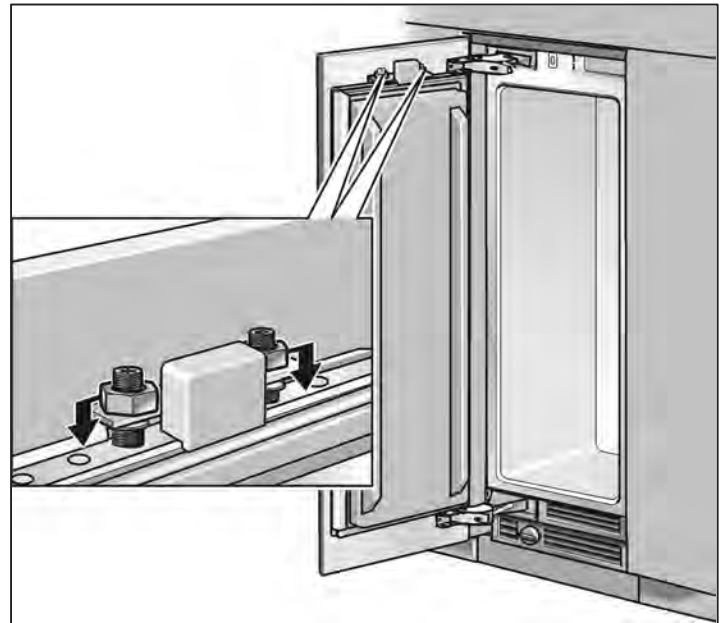
- ❑ Hang the furniture door with adjusting rail over the double threaded bolts.
- ❑ Screw the nuts a little onto the double threaded bolts. Do not tighten!
- ❑ Precisely adjust the furniture door. To do this, insert the bracket directly behind the furniture handle into the associated fixing plate. Slide the bracket onto the screw on the appliance door and tighten. Align the furniture door with the double threaded bolts (Torx screwdriver). Then loosen the bracket screw again. After erecting the appliance, remove the fixing plates again!
- ❑ Align the furniture door, checking the clearance all the way round. If required, move the adjusting rail to the left or right.



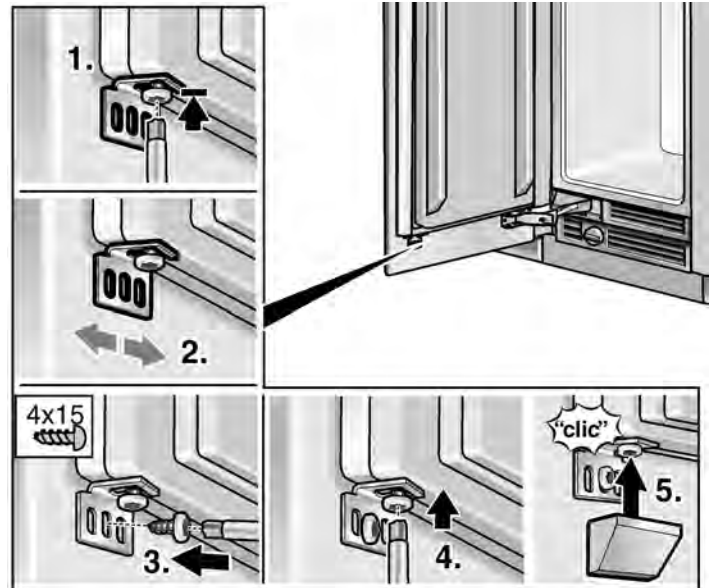
- ❑ Attach the bracket:
  - Lift the furniture door slightly away from the appliance door.
  - Push the side bracket (①.) on the left and right over the screws.
  - Insert the side bracket (②.) on the left and right into the fixing plate and slide over the screw. Slowly lower the door.

Continue the process until the last side brackets (⑥.) have been inserted into the fixing plates and are positioned on the screws.

- ❑ **i** The two upper brackets (①. – on the left and right) have no side piece for insertion into the fixing plate.
- ❑ Close the door and check that the depth of the furniture front is aligned with the adjacent fronts. If required, correct.
- ❑ Tighten the bracket screws to fix the depth alignment.
- ❑ Close the door and check the side alignment. Correct by gently tapping the edge of the open furniture door with your hand.

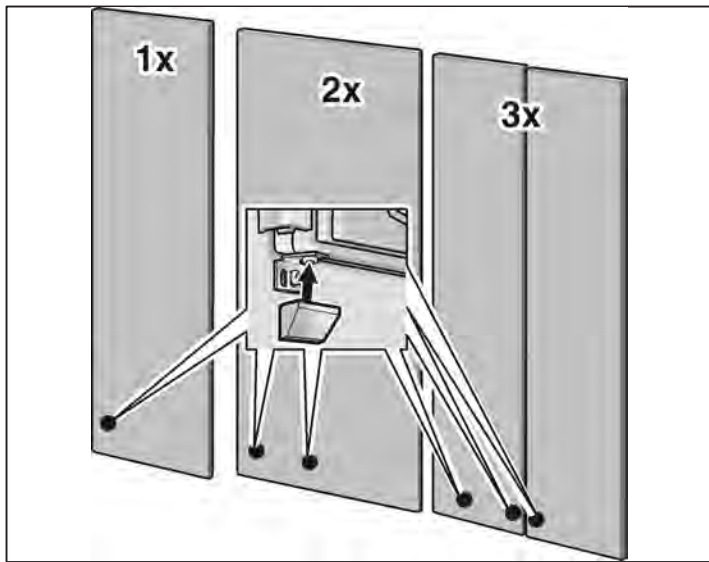


- ❑ Tighten the nuts on the adjusting rail. This will fix the side alignment of the door.



- ❑ Screw on the lower brackets (Installation kit). Pre-drill holes in the furniture door! The lower bracket fixes the side position of the door.
  1. Loosen the screw.
  2. Check the side position of the door.
  3. Screw in the wooden screw.
  4. Tighten the screw.
  5. Put the cover on the brackets.





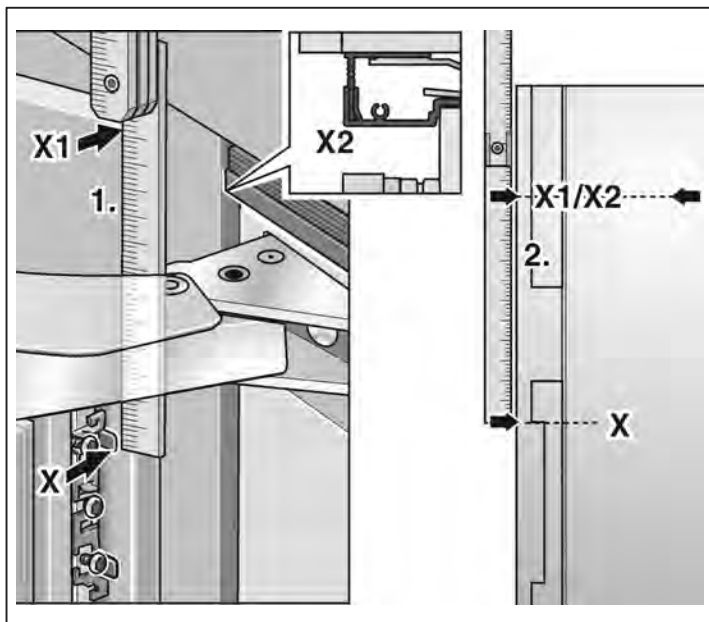
- i** The number of lower brackets depends on the width and the design of the furniture door.

## 23. Shorten the finger guard

### ! IMPORTANT NOTE !

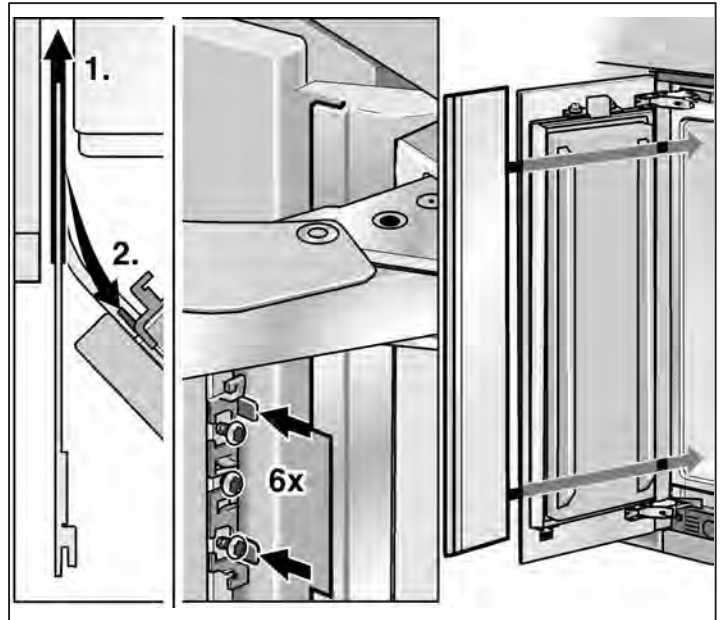
The finger guard must cover the entire height of the door. If doors exceed the standard height, use the extra long finger guard (see "Optional accessories").

- Hold the finger guard at the side of the open door.
- i** The recesses on the finger guard must be situated exactly at the height of the brackets!

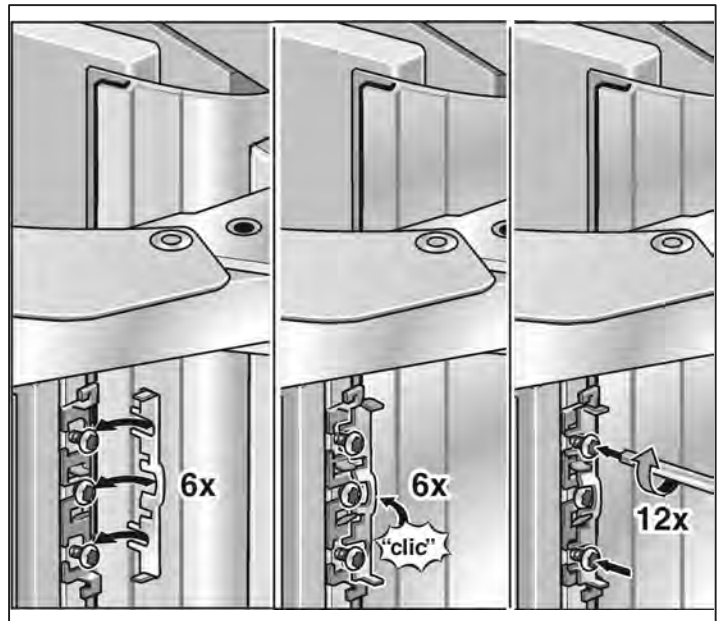


- Transfer the door dimensions to the finger guard.
- Using a knife and steel ruler, shorten the finger guard to the required length.

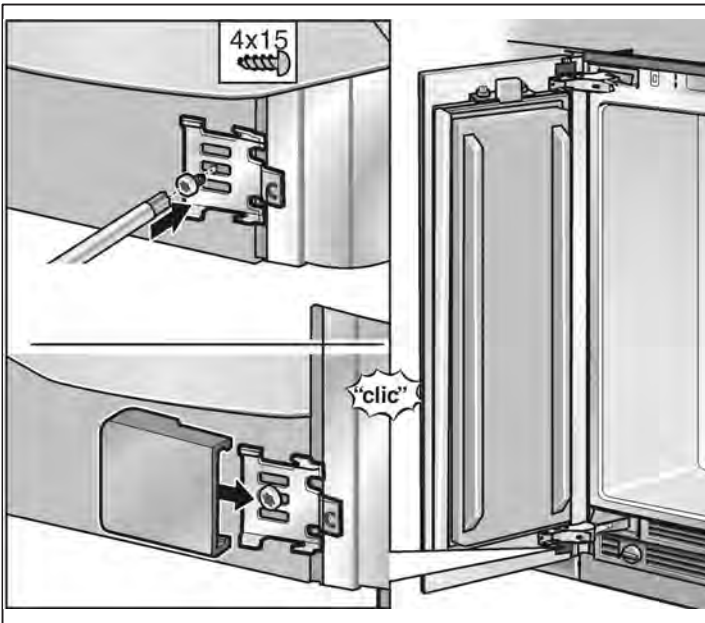
## 24. Attaching the finger guard



- Insert the finger guard into the gap between the appliance and adjacent furniture (1.).
- Clamp the finger guard under the brackets (2.).

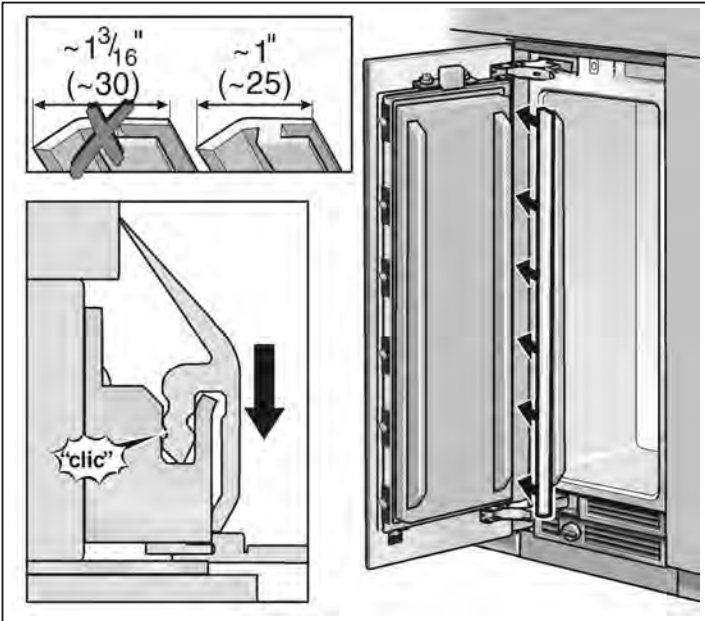


- Push the cap onto the bracket and screw tightly.

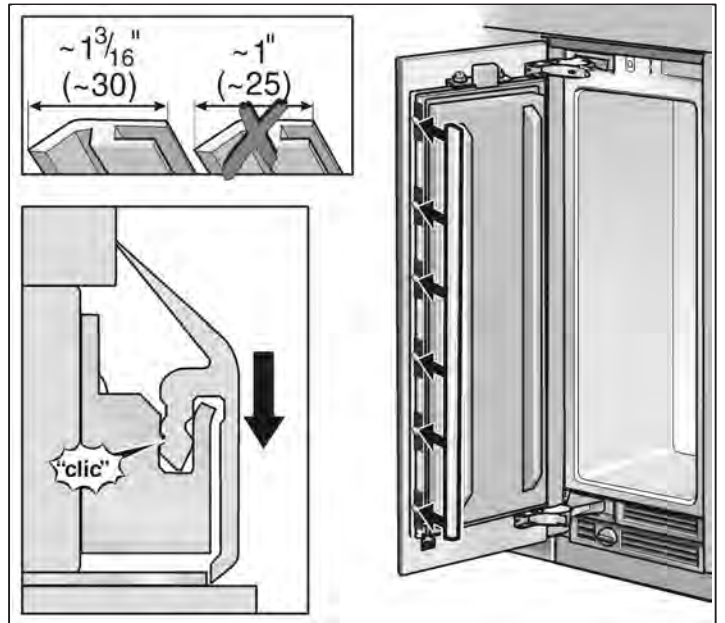


- Attach the finger guard under the lower hinge with the angle. Slide the cover on the angle.

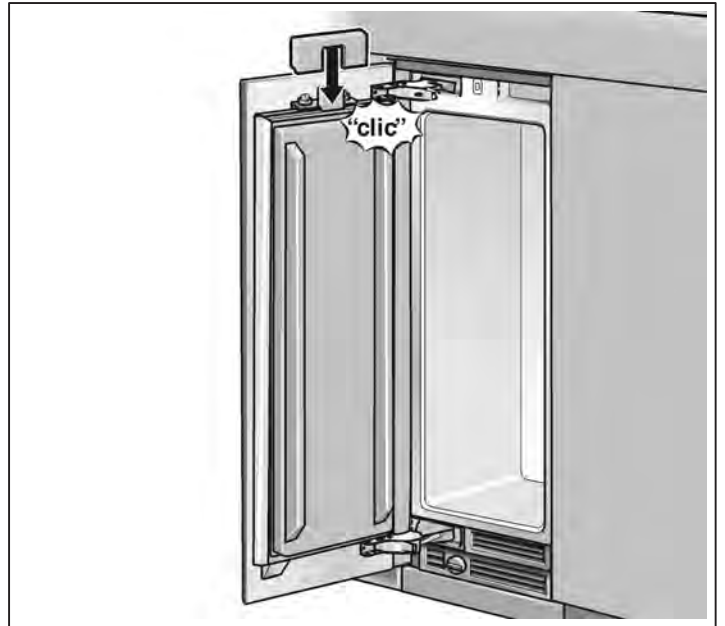
## 25. Attaching the covers



- Put the vertical cover strip on the finger guard.
- i** The side piece of the cover strip is shorter on the side on which the finger guard has been attached.

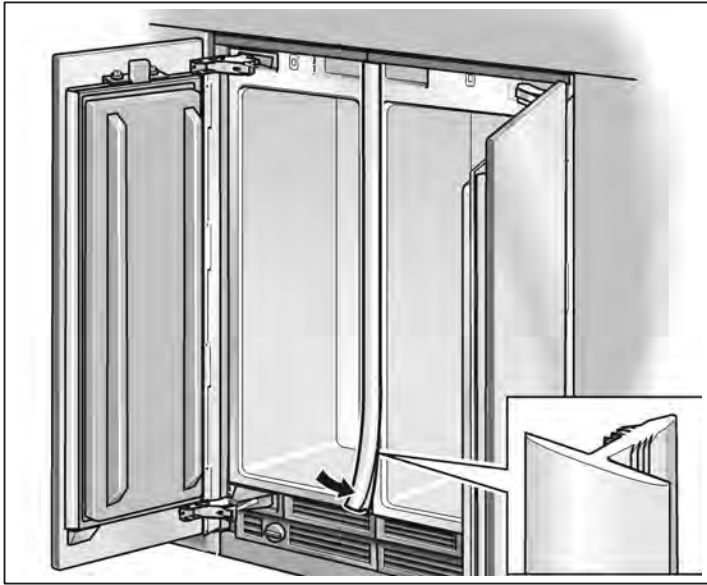


- Place the cover strips on the door.



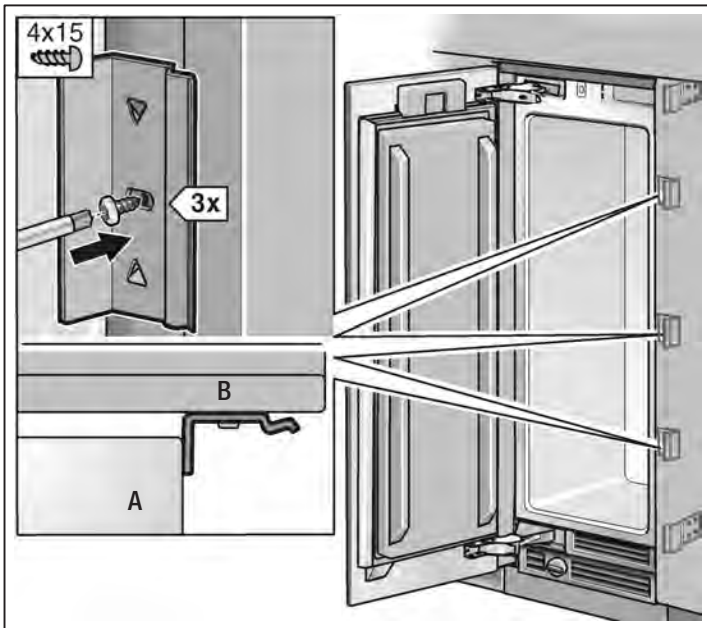
- Attach the light switch cover.
- i** The cover for 24", 30" and 36" appliances can be screwed to the door.

**Side-by-Side installation only:**



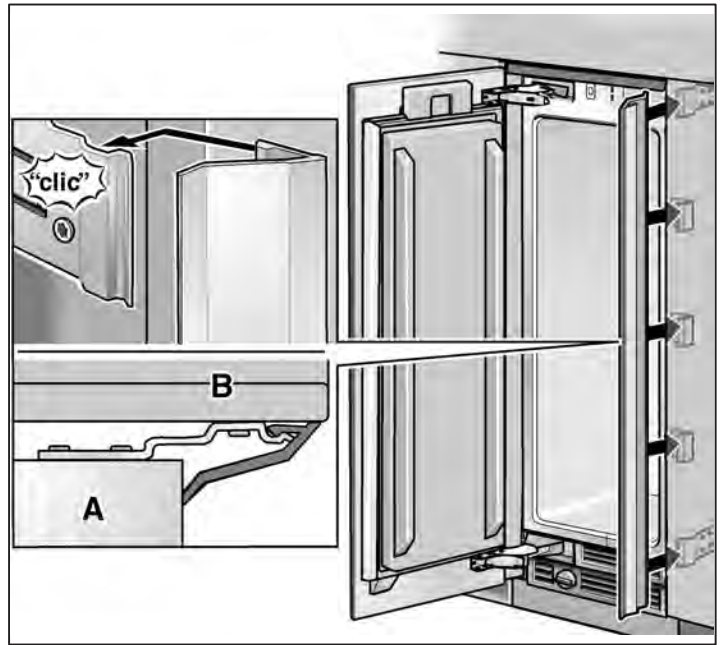
- ❑ Insert the cover strip into the space between the appliances.

**Individual appliances only:**



- A Appliance
- B Furniture

- ❑ Screw on the brackets (side) for holding the cover strip.

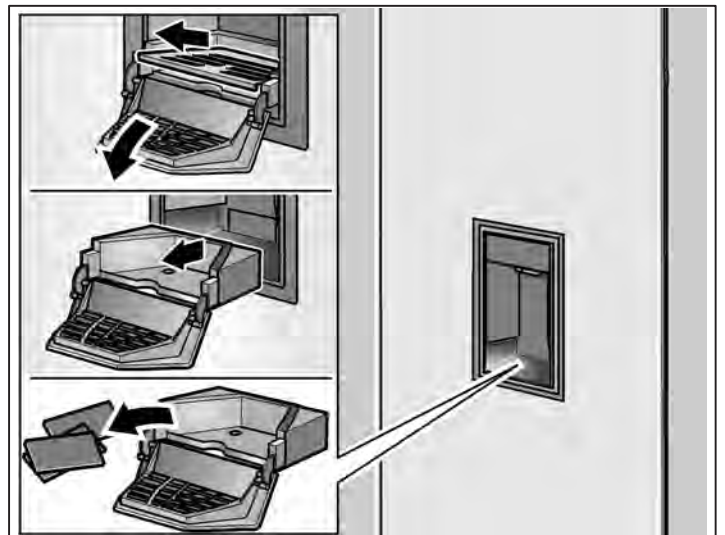


- ❑ Insert the cover strip into the space between the appliance and the wooden panel.

## 26. Aligning the ice-water dispenser

(for freezer unit with ice-water dispenser only)

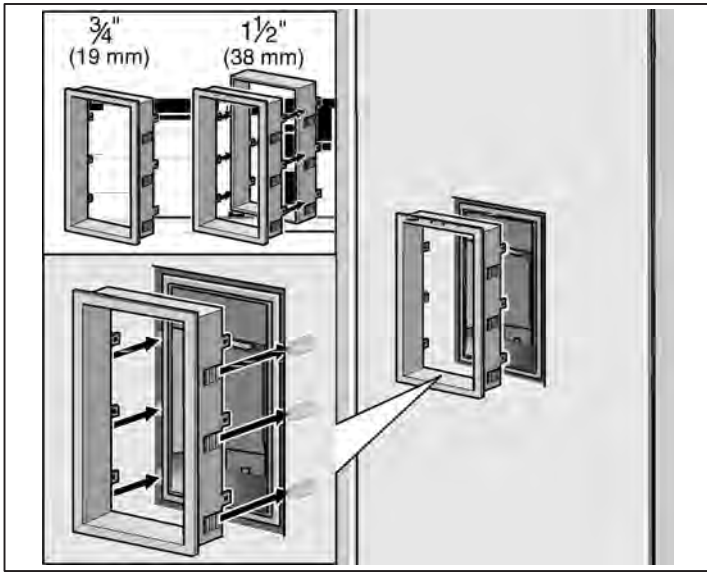
The ice-water dispenser can be aligned inside the cutout of the furniture door. This allows the dispenser to be aligned parallel to the furniture door in order to obtain an optimum overall appearance.



- ❑ Remove the shelf.



**i** We suggest to attach the frame before adjusting the dispenser unit!

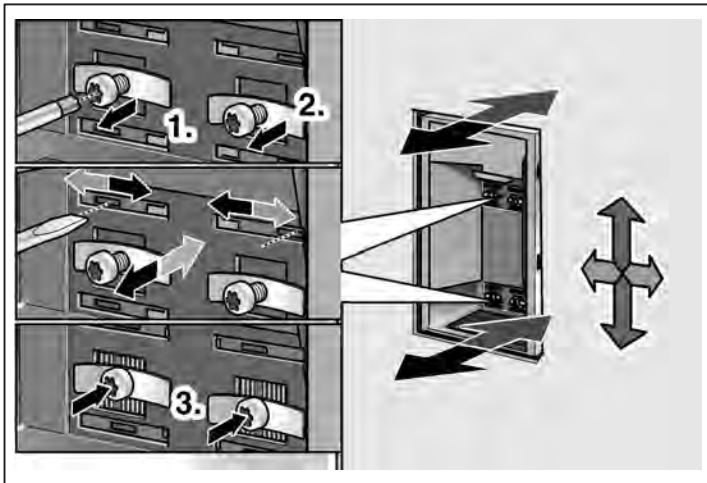


For 3/4" / 19 mm thick furniture doors:

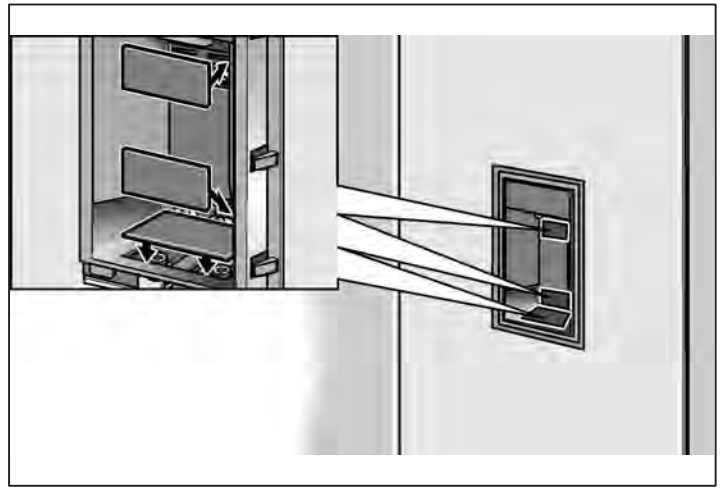
- ❑ Slide cover frame onto the ice-water dispenser and press in until the frame is flush with the door surface.

For 1 1/2" / 38 mm thick furniture doors:

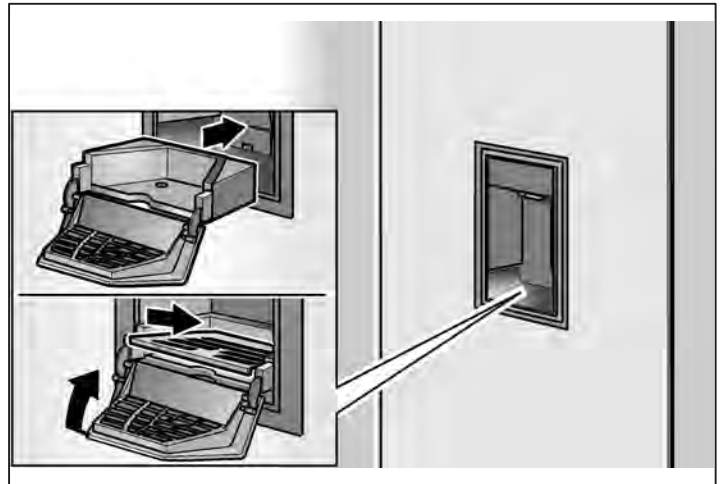
- ❑ Press extension frame onto the cover frame.
- ❑ Slide cover frame onto the ice-water dispenser and press in until the frame is flush with the door surface.



- ❑ Loosen screws on the 4 clamps.
- ❑ Insert flat screwdriver into one of the 4 slots and push the blocks sideways until the ice-water dispenser has the same distance from the furniture door.
- ❑ Retighten the screws on the clamps.



- ❑ Attach the covers.

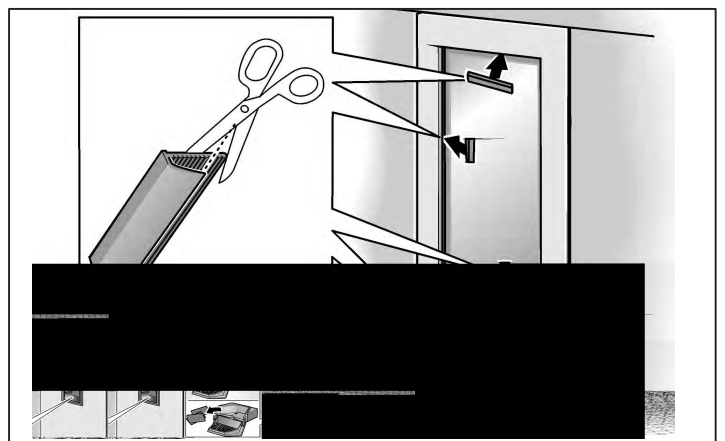


- ❑ Re-insert shelf.

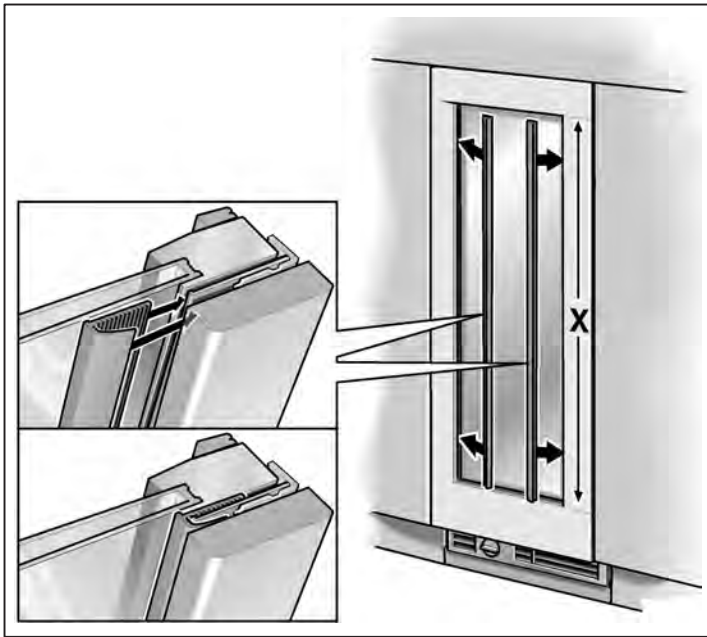
## 27. Attaching the cover strips

(for wine storage cupboard only)

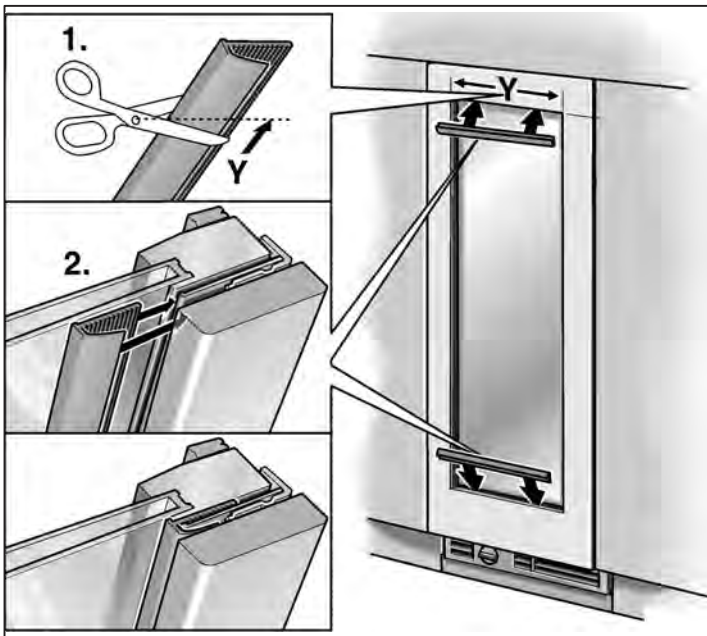
Note:



If the frame width is narrow, the cover strip side piece may have to be shortened. To determine the required length of the side piece, test pieces are enclosed with the cover strip.



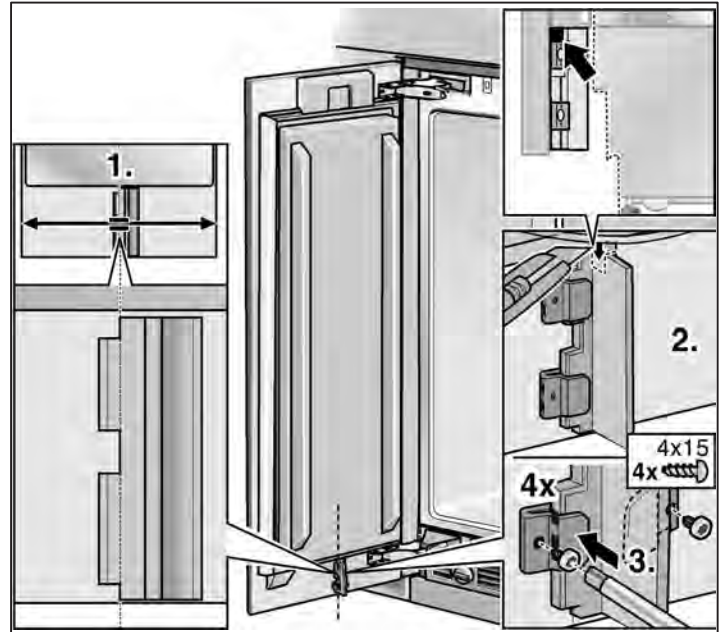
- ❑ Push cover strips on the longitudinal side into the gap between the furniture door and glass pane.
- ❑ Cut the cover strips on the short sides to the required length.



- ❑ Slide cover strips in the gap between the furniture door and glass pane.

## 28. Mounting of air separator

Screw the air separator to the furniture door in order to separate the supply and waste air.



- ❑ Shorten the air separator to the required length.
- ❑ Attach the air separator with the 2 clamps. Align the air separator with the center line of the door as illustrated in the diagram.
- ❑ Slowly close the door. Check whether the air separator collides with parts of the ventilation grille. If required, shorten the longitudinal side of the air separator by approx. 6mm.

### For appliances with ice-water dispenser:

- ❑ The air separator must be cut out in the area of the hose.

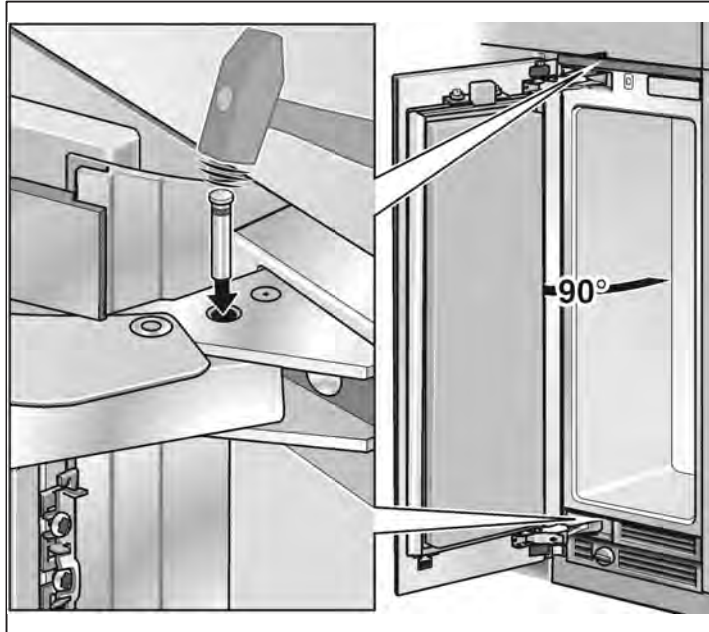


## 29. Adjusting the door opening angle

Depending on the installation situation, it may be necessary to adjust the door opening angle. A door opening angle of 115° has been set at the factory.

To adjust the door opening angle to 90°:

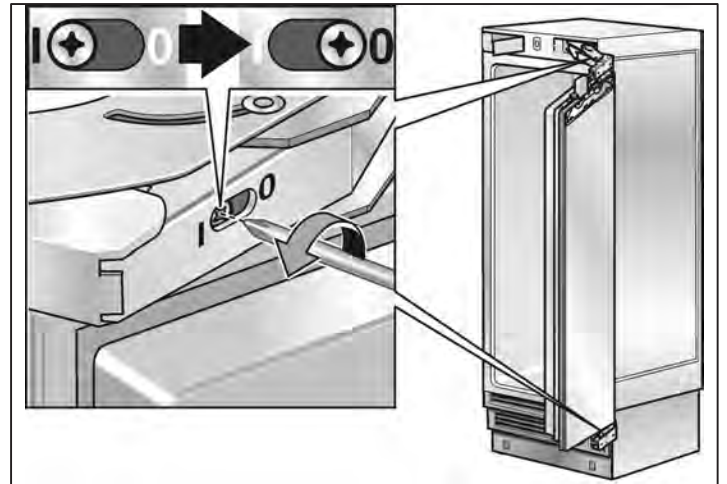
- ❑ Open door to 90°.



- ❑ Insert the banking pin through the boreholes which are now vertically aligned and drive in with a hammer.

## 30. Changing the door spring

To adjust the door spring:



- ❑ Rotate the adjusting screw with a cross-head screwdriver.

I = maximum spring tension

0 = no spring tension



---

# Table de matières

<b>Avant de commencer</b> .....	<b>45</b>
Définitions .....	46
Information importante .....	46
<b>Options d'installation</b> .....	<b>46</b>
Unité individuelle .....	46
Côte à côte .....	46
Appareils individuels avec séparation .....	47
A l'extrémité des cuisines intégrées .....	47
<b>Lieu d'installation</b> .....	<b>47</b>
Local d'installation .....	47
Cavité d'installation .....	48
Meubles/Appareillages électriques .....	48
Sol .....	48
<b>Raccordement à l'alimentation électrique</b> .....	<b>49</b>
Procédure additionnelle de mise à la terre .....	49
Instructions de raccordement à la terre .....	49
<b>Raccordement de l'eau</b> .....	<b>49</b>
<b>Dimensions d'installation</b> .....	<b>50</b>
Installation individuelle .....	50
Installation côte à côte .....	51
Installation côte à côte .....	52
<b>Dimensions de l'appareil</b> .....	<b>53</b>
1. Appareil de 18" (Congelateur/Congélateur avec une distributeur de glaçons et d'eau) .....	53
2. Appareil de 18" (Cave à vin) .....	54
3. Appareil de 24" (Réfrigérateur/Congelateur/Congélateur avec une distributeur de glaçons et d'eau) .	55
4. Appareil de 24" (Cave à vin) .....	56
5. Appareil de 30" (Réfrigérateur/Congelateur/Congélateur avec une distributeur de glaçons et d'eau) .	57
<b>Accessoires et outillage requis</b> .....	<b>58</b>
1. Accessoires fournis .....	58
2. Accessoires en option .....	58
3. Autres accessoires requis de fournisseurs spécialisés .....	58
4. Outils .....	58
5. Autres .....	58

<b>Instructions d'installation</b> .....	<b>59</b>
1. Vérification de la cavité d'installation .....	59
2.. Transport de l'appareil .....	59
3. Enlèvement de l'emballage .....	60
4. Préparation de l'appareil .....	60
5. Inversion du sens d'ouverture des portes .....	60
6. Préparation de la cavité d'installation .....	63
7. Fixation d'un dispositif anti-renversement alternatif .....	65
8. Préparation du raccordement de l'eau .....	65
9. Fixation du protège-bordures .....	66
10. Installation côte à côte .....	66
11. Pousser l'appareil dans la cavité d'installation .....	66
12. Installation et alignement de l'appareil .....	67
13. Fixation de l'appareil contre le sommet de la cavité .....	68
14. Fixation de l'appareil individuel contre les côtés de la cavité .....	69
15. Raccordement de l'eau à l'appareil .....	69
16. Fixation du bandeau de socle .....	70
17. Mise en service de l'appareil .....	71
18. Préparation des portes de meubles .....	71
19. Application d'une charge à la porte de l'appareil .....	72
20. Fixation du rail d'ajustage contre la porte du meuble .....	73
21. Fixation et alignement de la porte de meuble .....	74
22. Fixation de la porte de meuble .....	75
23. Raccourcir le bandeau protège-doigts .....	76
24. Fixation du bandeau protège-doigts .....	77
25. Fixation des couvercles .....	78
26. Alignement du distributeur de glaçons et d'eau .....	79
28. Fixation des baguettes couvre-joint .....	80
29. Montage du séparateur d'air .....	81
30. Ajustage de l'angle d'ouverture de porte .....	82
31. Changement du ressort de porte .....	82

# Avant de commencer

**Veillez lire ces instructions entièrement et avec attention.**

## **IMPORTANT**

Veillez conserver ces instructions pour usage par l'inspecteur local. Veuillez observer tous les règlements et ordonnances.

**Remarque à l'intention de l'installateur** – Veuillez bien à laisser les présentes instructions au client.

**Remarque à l'intention du consommateur** – Veuillez conserver les présentes instructions avec votre manuel de l'utilisateur. Ils vous permettront de vous y reporter ultérieurement.

## **AVERTISSEMENT**

Cet appareil doit être correctement relié à la terre. Voir la section sur le «Raccordement au secteur électrique», page 7.

## **AVERTISSEMENT**



Le centre de gravité de cet appareil se trouve assez haut dans celui-ci. Il faut donc sécuriser l'appareil pour l'empêcher de basculer en avant. Un protection anti-renversement est nécessaire.

Maintenez les portes de l'appareil fermées jusqu'à ce qu'il ait été installé et sécurisé conformément aux instructions d'installation.

Vu le poids et la taille de l'appareil et pour réduire le risque de dommages corporels et d'endommagement du produit, **IL FAUT DEUX PERSONNES POUR RÉALISER L'INSTALLATION CORRECTEMENT.**

## **PRUDENCE**

Aptitudes – Niveau – L'installation de cet appareil oblige à détenir des connaissances de bases en mécanique, en menuiserie et en plomberie. La responsabilité d'une installation adéquate revient à l'installateur. Une défaillance du produit due à son installation incorrecte n'est pas couverte par la garantie dont bénéficie l'appareil. Veuillez vous reporter au manuel de l'utilisateur pour connaître les informations sur la garantie.

## **AVERTISSEMENT**

Veillez n'utiliser cet appareil qu'aux fins pour lesquelles il a été prévu.

Réparez ou remplacez immédiatement les cordons d'alimentation électrique qui se sont usés ou sont endommagés.

Débranchez l'appareil ou ramenez le disjoncteur en position éteinte avant de nettoyer ou d'effectuer des réparations.

Les réparations sont réservées à un technicien qualifié du service après-vente.

Les présentes instructions d'installation sont destinées à être utilisées par des installateurs qualifiés. Tous les raccordements de l'eau, de l'électricité et à la terre doivent se conformer aux règlement et ordonnances locaux, ils doivent être réalisés par du personnel sous licence lorsque nécessaire. En l'absence de réglementation locale :

- Aux USA : en conformité avec le National Electric Code, ANSI/NFPA70 en son édition la plus récente, avec les règlements des États et municipaux et/ou les règlements locaux.
- Au Canada : en conformité avec le Code canadien de l'électricité C22.1 en son édition la plus récente, avec les règlements des provinces et municipaux et/ou les règlements locaux.



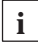
## Définitions

### **AVERTISSEMENT**

**AVERTISSEMENT** – Cette mention précède une instruction assortie d'un danger de mort ou de blessures graves si vous ne respectez pas son contenu.

### **PRUDENCE**

**PRUDENCE** – Cette mention précède une instruction assortie d'un risque de blessures légères ou de dégâts si vous ne respectez pas son contenu.

 Ce symbole sert à attirer votre attention sur un aspect particulier.

## Information importante

L'importance de respecter tous les règlements et instructions ne saurait être plus instamment soulignée. L'installation devra être confiée à un monteur qualifié.

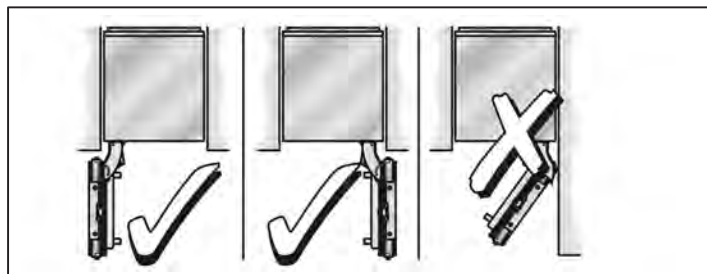
Avant de faire démarrer l'installation, veuillez toujours lire le manuel d'installation dans son intégralité. Il contient des détails importants que le monteur doit respecter. A condition de le lire attentivement, l'installation sera simple, sans contretemps et, chose capitale, sûre.

## Options d'installation

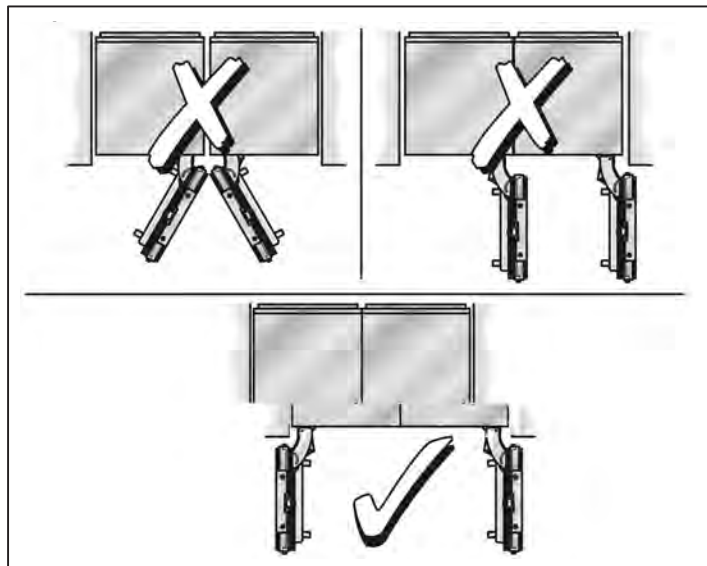
Il y a plusieurs options d'installation différentes.

Elles sont limitées seulement par l'agencement de votre cuisine et par la fonction du bandeau protège-doigts.

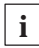
### Unité individuelle



### Côte à côte

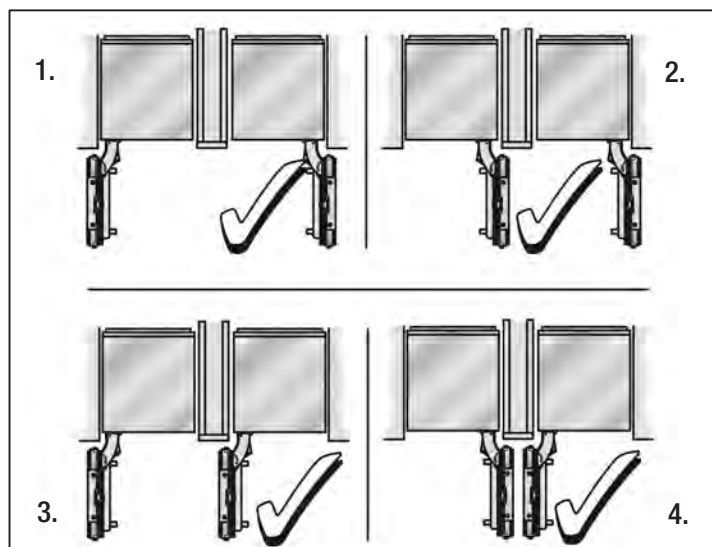


\* Séparation requise

 Lorsque vous installez deux appareils côte à côte, il faut utiliser le **kit de jointoiement pour combinaison de base côte à côte** afin d'assurer une connexion fiable.

Voir la section sur les «Accessoires en option», page 58.

## Appareils individuels avec séparation



### **i** Remarque

- Lorsque vous dimensionnez la séparation affectée à la configuration 4 ci-dessus, notez l'épaisseur de la façade des meubles pour empêcher des dégâts lors de l'ouverture simultanée des portes.
- Utilisez le **kit de chauffage pour combinaison extrême**, si l'espace vide entre les appareils est inférieur à 6" (160 mm).  
Voir, à la page 58, la section consacrée aux «Accessoires en option».
- Épaisseur minimum de la séparation  $\frac{5}{8}$ " (16 mm).

## A l'extrémité des cuisines intégrées

Si un côté de l'appareil est visible, il faudra utiliser un panneau latéral.

Le panneau latéral doit être fermement fixé contre le mur, le sol ou un placard/le appareillages situés au-dessus avant de placer l'appareil dans la cavité.

Pour dimensionner le panneau latéral, basez-vous sur les dimensions du panneau opposé formant la cavité. Pendant l'installation, veillez à ce que la cavité reste à angles droits et qu'elle ait la taille exacte.

## Lieu d'installation



### AVERTISSEMENT



N'installez pas cet appareil :

- en plein air,
- dans un environnement très humide,
- dans des pièces exposées au risque de gel.

L'appareil est très lourd. Pour connaître les poids à vide, reportez-vous au tableau suivant :

Réfrigérateur de 24"	env. 310 lbs/140 kg
Réfrigérateur de 30"	env. 350 lbs/158 kg
Congélateur 18"	env. 255 lbs/115 kg*
Congélateur 24"	env. 300 lbs/135 kg*
Congélateur 30"	env. 335 lbs/150 kg*
Cave à vin 18"	env. 300 lbs/135 kg
Cave à vin 24"	env. 364 lbs/160 kg

(\* sans distributeur d'eau)

## Local d'installation

Il faudra installer l'appareil dans une pièce sèche et bien aérée.

La température ambiante ne doit pas descendre en dessous de 55 °F (13°C) ni monter au-dessus de 110 °F (43 °C), faute de quoi l'appareil risque de mal fonctionner.

L'emplacement ne doit pas être directement exposé aux rayons solaires ou proche de sources de chaleur tels qu'une chaudière, un radiateur, etc. S'il n'y a pas moyen d'éviter une installation à proximité d'une source de chaleur, utilisez un panneau isolant approprié ou respectez les distances minimum suivantes par rapport à la source de chaleur :

- 1 $\frac{1}{4}$ " (30 mm) d'une cuisinière électrique,
- 12" (300 mm) d'une chaudière au fuel ou à combustible solide.

## Cavité d'installation

Pour une installation sans incident de l'appareil et pour qu'ensuite la façade du meuble soit esthétique, il est important que la cavité d'installation ait bien les dimensions spécifiées.

**i** Assurez-vous en particulier que la cavité présente des angles droits.

Vous pouvez le vérifier avec des moyens appropriés, par exemple un niveau à bulle, des mesures en diagonale, etc.

**i** Les parois latérales de la cavité doivent être dans l'alignement.

L'épaisseur minimum des parois latérales et de la paroi formant le sommet doit s'élever à  $\frac{5}{8}$ " (16 mm).

L'épaisseur minimum du bandeau de socle doit être de  $\frac{1}{2}$ " (13 mm).

Nous recommandons une épaisseur de  $\frac{3}{4}$ " (19 mm).

## Meubles/Appareillages électriques

Le nouvel appareil est vissé de manière sûre contre des meubles/appareillages adjacents ou situés au dessus de lui.

Pour cette raison, il est essentiel que tous les meubles/appareillages soient fixés de manière sûre contre le sol ou le mur à l'aide de moyens appropriés.

## Sol



### AVERTISSEMENT



Un appareil plein est très lourd. En ce qui concerne la portance du sol, reportez-vous au moins au tableau suivant :

Réfrigérateur 24"	env. 890 lbs/400 kg
Réfrigérateur 30"	env. 1110 lbs/500 kg
Congélateur 18"	env. 560 lbs/250 kg*
Congélateur 24"	env. 780 lbs/350 kg*
Congélateur 30"	env. 950 lbs/425 kg*
Cave à vin 18"	env. 550 lbs/245 kg
Cave à vin 24"	env. 694 lbs/310 kg

(\* sans distributeur d'eau)

Pour être sûr que l'appareil a été installé de façon sûre et qu'il fonctionne correctement, le sol doit être plat et horizontal.

Le sol doit être constitué d'un matériau dur et rigide.

La surface d'installation doit se trouver au même niveau que le reste de la pièce.

Compte tenu du poids élevé de l'appareil lorsqu'il est plein, il faut que le sol offre la portance nécessaire.

En cas de doute, contactez un architecte ou un expert en bâtiment.

# Raccordement à l'alimentation électrique

## AVERTISSEMENT

### Risque de choc électrique

- Branchez la fiche mâle à 3 broches de l'appareil dans une prise à 3 orifices femelles reliée à la terre.
- Ne retirez pas la broche de raccordement à la terre.
- N'utilisez pas d'adaptateur
- N'utilisez pas de prolongateur.

Le non-respect de ces instructions s'assortit d'un danger de mort, d'incendie ou de choc électrique.

L'appareil est livré avec un cordon d'alimentation électrique à trois fils et figurant dans la liste UL aux USA.

Cet appareil requiert d'être raccordé à une prise femelle à trois fils.

L'installation de cette prise est une opération exclusivement réservée à un électricien agréé.

La prise doit être protégée par un fusible/disjoncteur supportant un ampérage de 10A ou plus. Veuillez à ce titre respecter le tableau de correspondances suivant :

Appareil	Ampérage instantané maximal
Réfrigérateur 24"	2 ampères
Réfrigérateur 30"	2 ampères
Congélateur 18" (y compris distributeur de glaçons)	3,5 ampères
Congélateur 24" (y compris distributeur de glaçons)	4 ampères
Congélateur 30" (y compris distributeur de glaçons)	4,5 ampères

Orientez la broche de terre vers le bas, comme le montrent les illustrations.

En ce qui concerne la position d'installation de la prise femelle, veuillez vous reporter à la section «Dimensions d'installation», page 53.

## Procédure supplémentaire de mise à la terre

Certaines réglementations locales peuvent exiger un raccordement à part à la terre. En pareils cas, vous devrez acheter séparément les accessoires requis : le fil de terre, la bride et la vis.

Ne raccordez jamais l'appareil à des conduites en plastique, conduites de gaz ou conduites d'eau.

## Instructions de raccordement à la terre

Cet appareil devra être relié à la terre. En cas de dysfonctionnement ou de panne, le raccordement à la terre réduit le risque de choc électrique en fournissant au courant un chemin de moindre résistance électrique.

## AVERTISSEMENT

Un branchement incorrect du fil de raccordement à la terre peut occasionner un choc électrique. Si vous n'êtes pas sûr que l'appareil est correctement relié à la terre, faites-le vérifier par un électricien agréé ou un technicien du service après-vente.

## Raccordement de l'eau

Il faut un raccordement à l'eau froide pour que le distributeur automatique de glaçons puisse fonctionner. La pression de l'eau doit être comprise entre 25 et 120 p.s.i. (1,72 et 8,25 bar).

Dans le cadre du raccordement de l'eau à l'appareil, il faut installer une vanne de fermeture séparée.

Cette vanne de fermeture ne doit pas se trouver derrière l'appareil. Il est recommandé de la placer directement à côté de l'appareil (unité de base) ou en tout autre endroit facile d'accès.

Lors du raccordement de l'eau, examinez les zones d'installation admises pour la conduite. En ce qui concerne les zones d'installation permises et les dimensions, reportez-vous à la section intitulée «Dimensions d'installation», page 53.

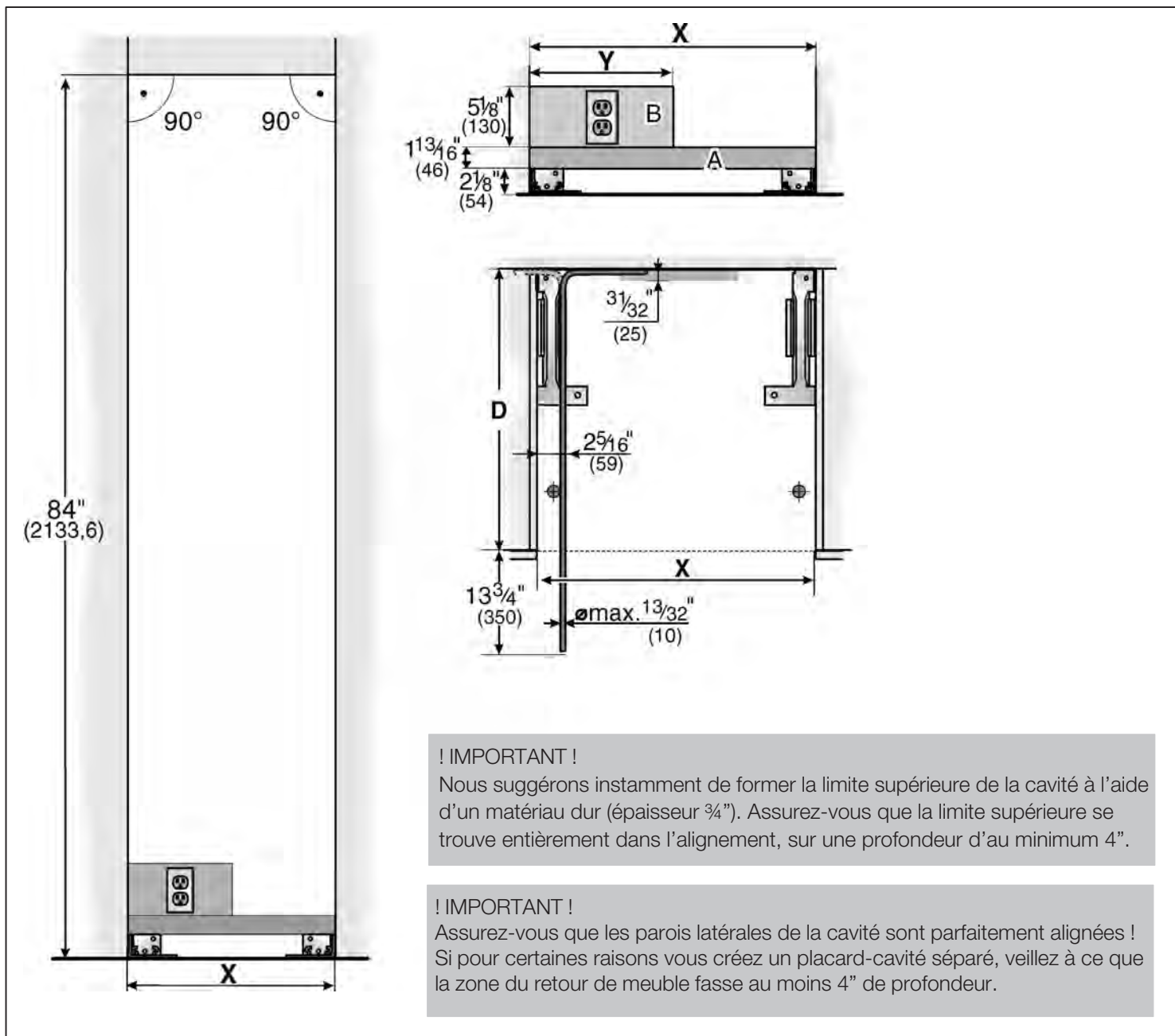
Il est possible de placer la conduite d'alimentation sur le côté droit (a), sur le côté gauche (b) ou en dessous (c).

Diamètre externe maximum de la conduite d'eau (sans les robinetteries) :  $1\frac{3}{32}$ " (10 mm).

Fixez, à un endroit adapté et d'accès facile, une vanne de fermeture séparée affectée au raccordement de l'eau. N'utilisez jamais de vanne autotaraudeuse !

# Dimensions d'installation

## Installation individuelle



### Légende :

- A** représente la zone où installer le raccordement de l'eau  
 Nous recommandons de placer la boîte à eau à côté de la cavité d'installation de façon à pouvoir l'atteindre, lors d'activités de maintenance, sans devoir désinstaller l'appareil. Si ce n'est pas possible, placez la boîte à eau à côté de la prise d'alimentation électrique, à hauteur des zones A+B.
- B** représente la zone où installer le raccordement de l'électricité
- D** profondeur d'ouverture de la cavité, ceci dépendant de la configuration de la cuisine (Voir le GUIDE DE CONCEPTION)  
 D = 24" (610 mm) minimum

REMARQUE : La cavité doit être carrée.

La paroi latérale de la cavité doit se trouver dans l'alignement.

	Appareil		
	18"	24"	30"
<b>X</b>	18" (457 mm)	24" (610 mm)	30" (762 mm)
<b>Y</b>	9" (229 mm)	12" (305 mm)	15" (381 mm)



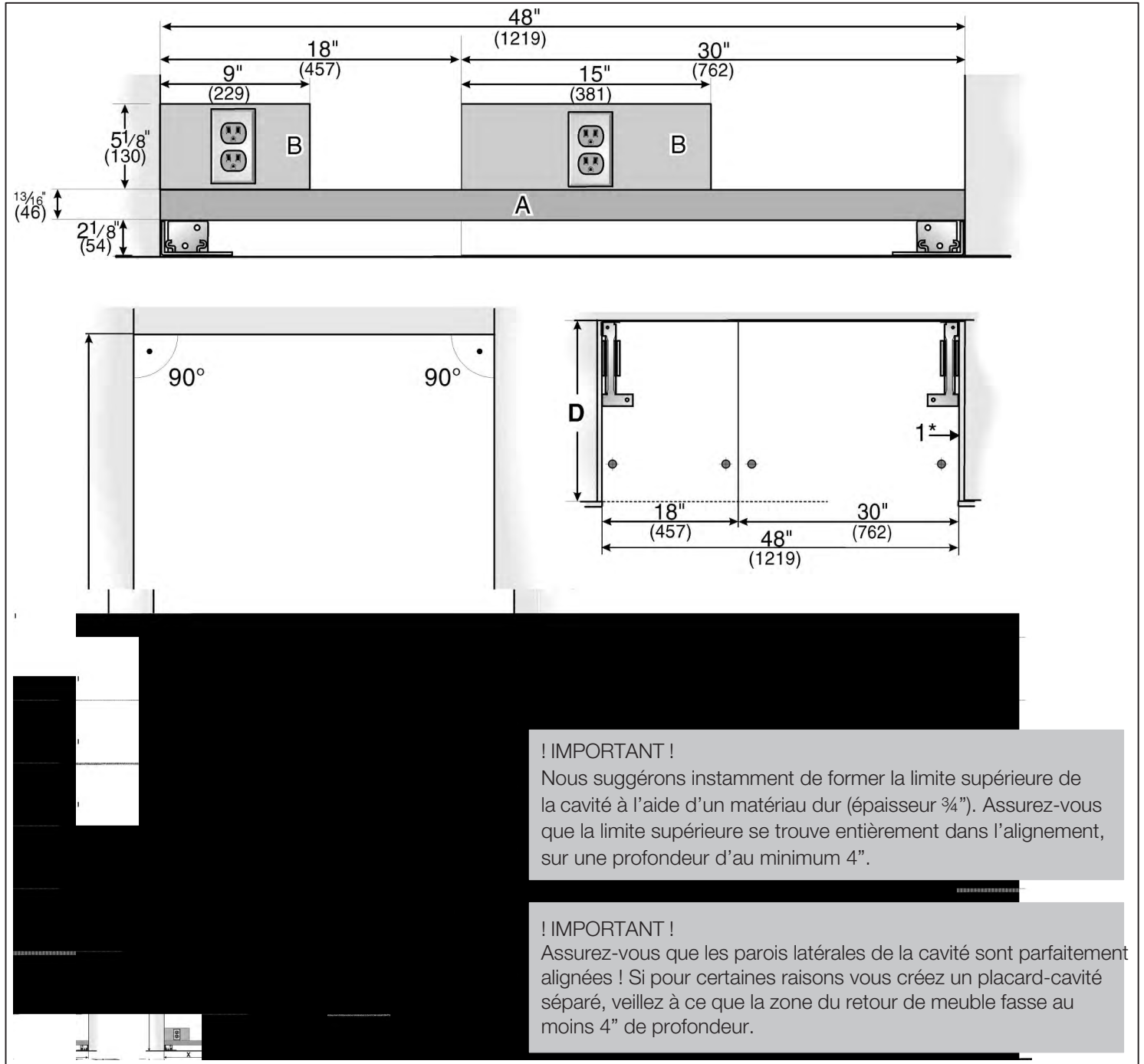
## Installation côte à côte

Les dimensions de cavité mentionnées ci-dessus, afférentes à l'appareil respectif, s'appliquent à l'installation côte à côte de deux appareils.

La largeur totale de la cavité résulte de l'addition des deux largeurs de cavité indiquées pour les deux appareils.

## Exemple :

Congélateur 18"/Réfrigérateur 30"



### Légende :

**A** Représente la zone où installer le raccordement de l'eau  
 Nous recommandons de placer la boîte à eau à côté de la cavité d'installation de façon à pouvoir l'atteindre, lors d'activités de maintenance, sans devoir désinstaller l'appareil. Si ce n'est pas possible, placez la boîte à eau à côté de la prise d'alimentation électrique, à hauteur des zones A+B.

**B** Représente la zone où installer le raccordement de l'électricité

**D** Profondeur de la cavité, ceci dépendant de la configuration de la cuisine (Voir le GUIDE DE CONCEPTION)

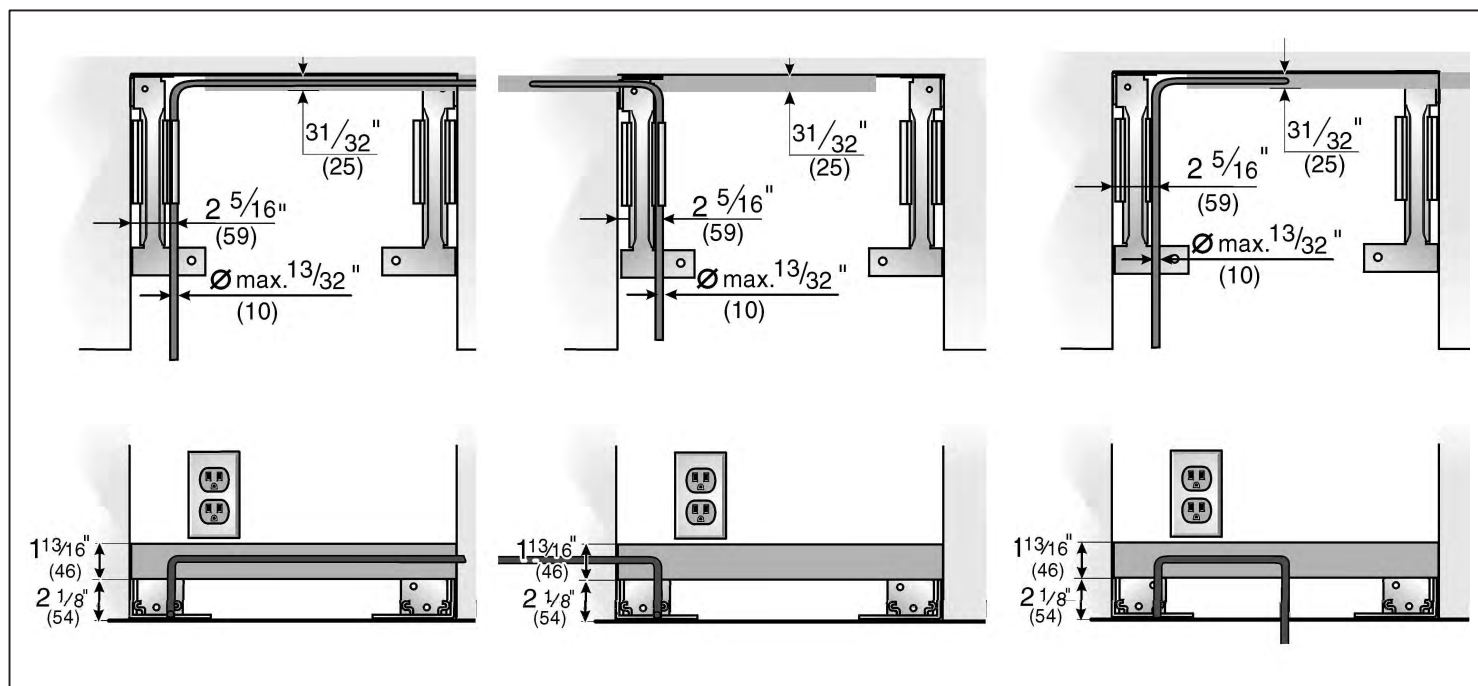
D = 24" (610 mm) minimum

REMARQUE : La cavité doit être carrée. La paroi latérale de la cavité doit se trouver dans l'alignement.

## Installation côte à côte

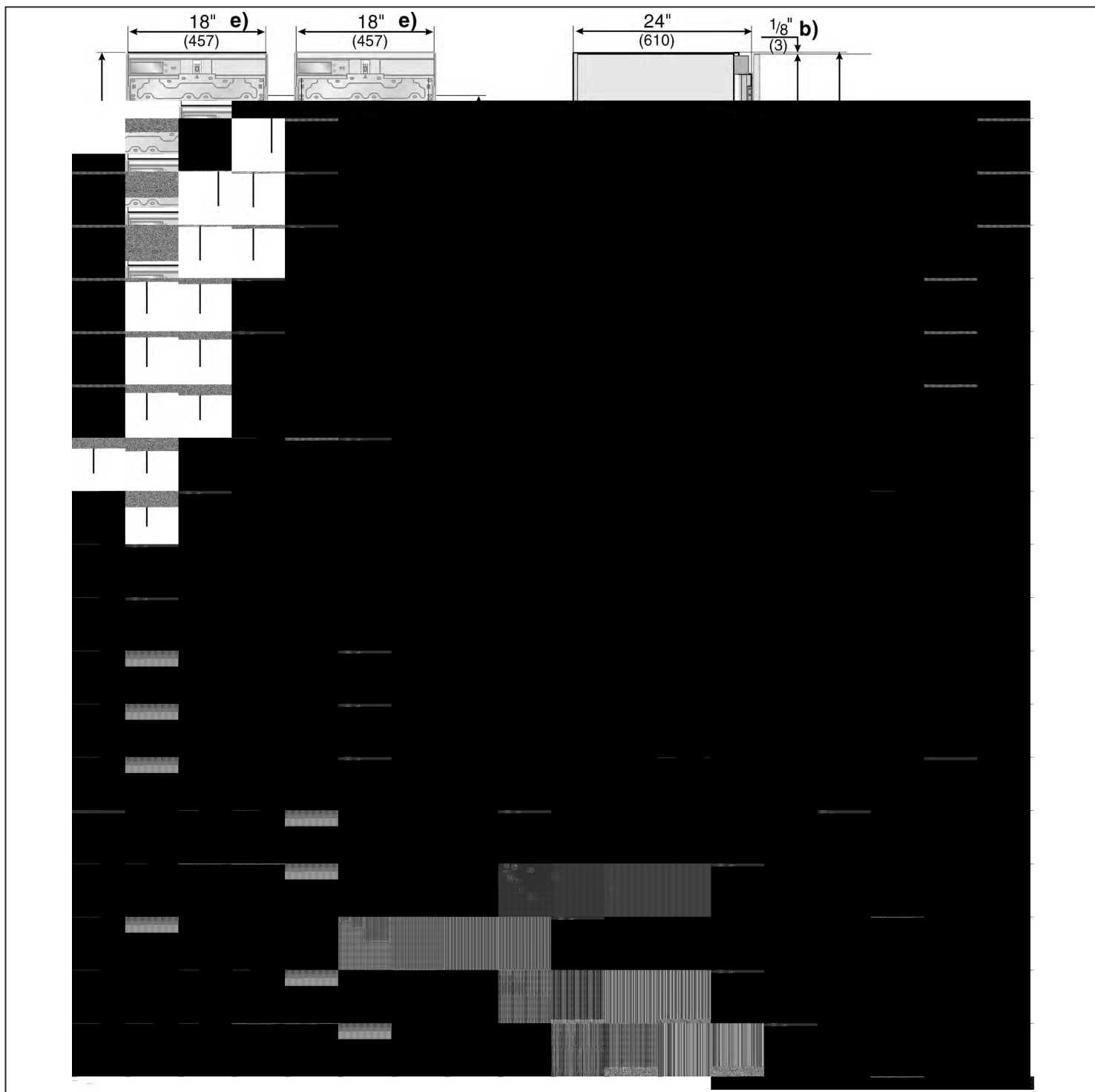
Il est possible de placer la conduite d'alimentation

- a) sur le côté droit (a),
- b) sur le côté gauche (b) ou
- c) en dessous (c).



# Dimensions de l'appareil

## 1. Appareil de 18" (Congelateur/Congelateur avec une distributeur de glaçons et d'eau)



### Légende :

- a) Ajustage des pieds de nivellement entre +  $1\frac{3}{8}$ " (35 mm) et -  $\frac{1}{2}$ " (13 mm).
- b) Les dimensions peuvent différer.
- c) L'épaisseur du panneau de porte peut différer.
- d) Cette dimension peut différer en fonction de l'installation, de l'épaisseur du panneau et du matériel équipant la cuisine.

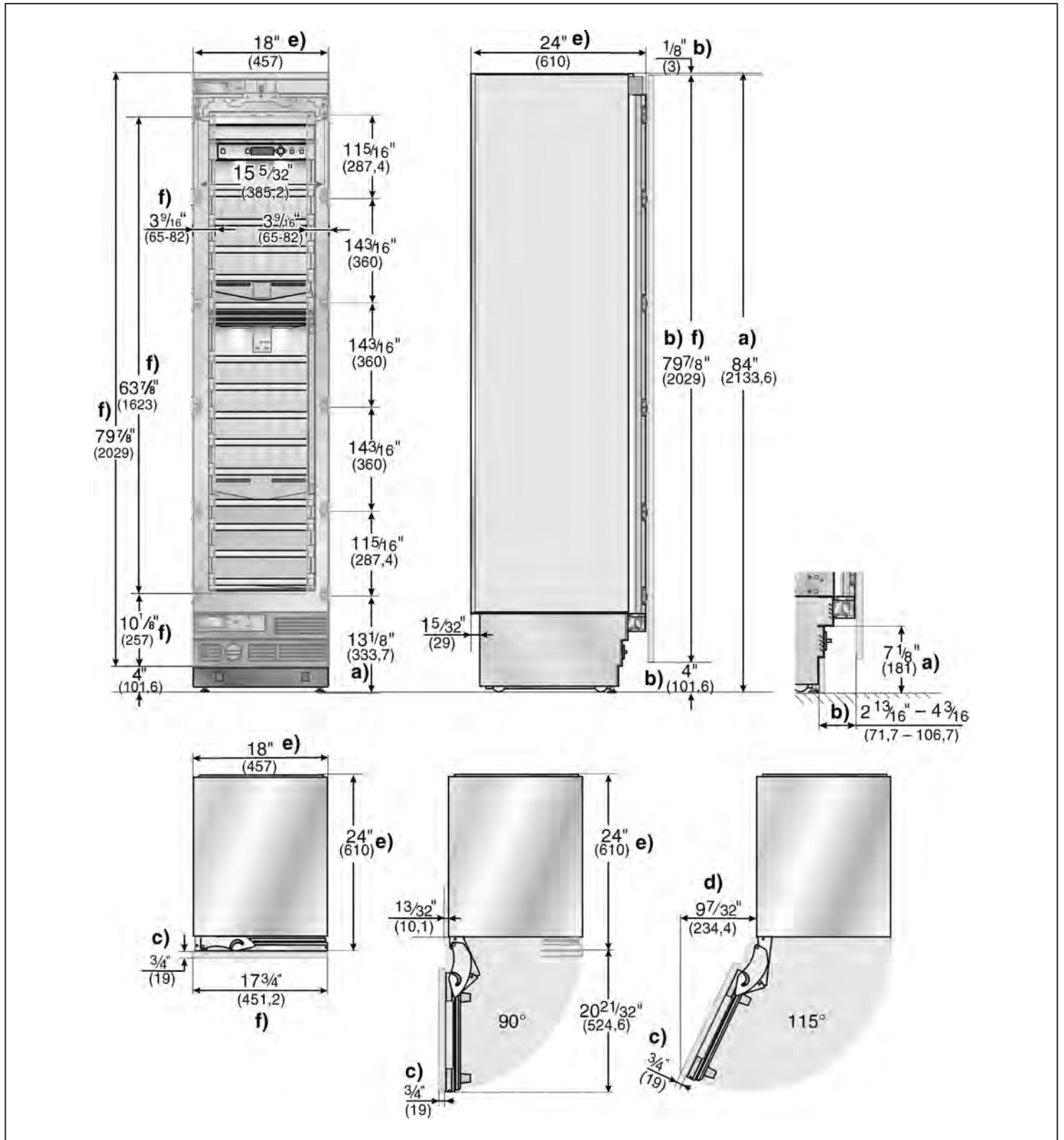
e) Dimensions de l'unité

f) Dimensions du panneau de porte

### Remarque :

Les illustrations ne représentent qu'un style de panneau en bois. Pour obtenir des informations avancées sur les différents styles, veuillez vous reporter au GUIDE DE CONCEPTION.

## 2. Appareil de 18" (Cave à vin)



### Légende :

- a) Ajustage des pieds de nivellement entre + 1 3/8" (35 mm) et - 1/2" (13 mm).
- b) Les dimensions peuvent différer.
- c) L'épaisseur du panneau de porte peut différer.
- d) Cette dimension peut différer en fonction de l'installation, de l'épaisseur du panneau et du matériel équipant la cuisine.

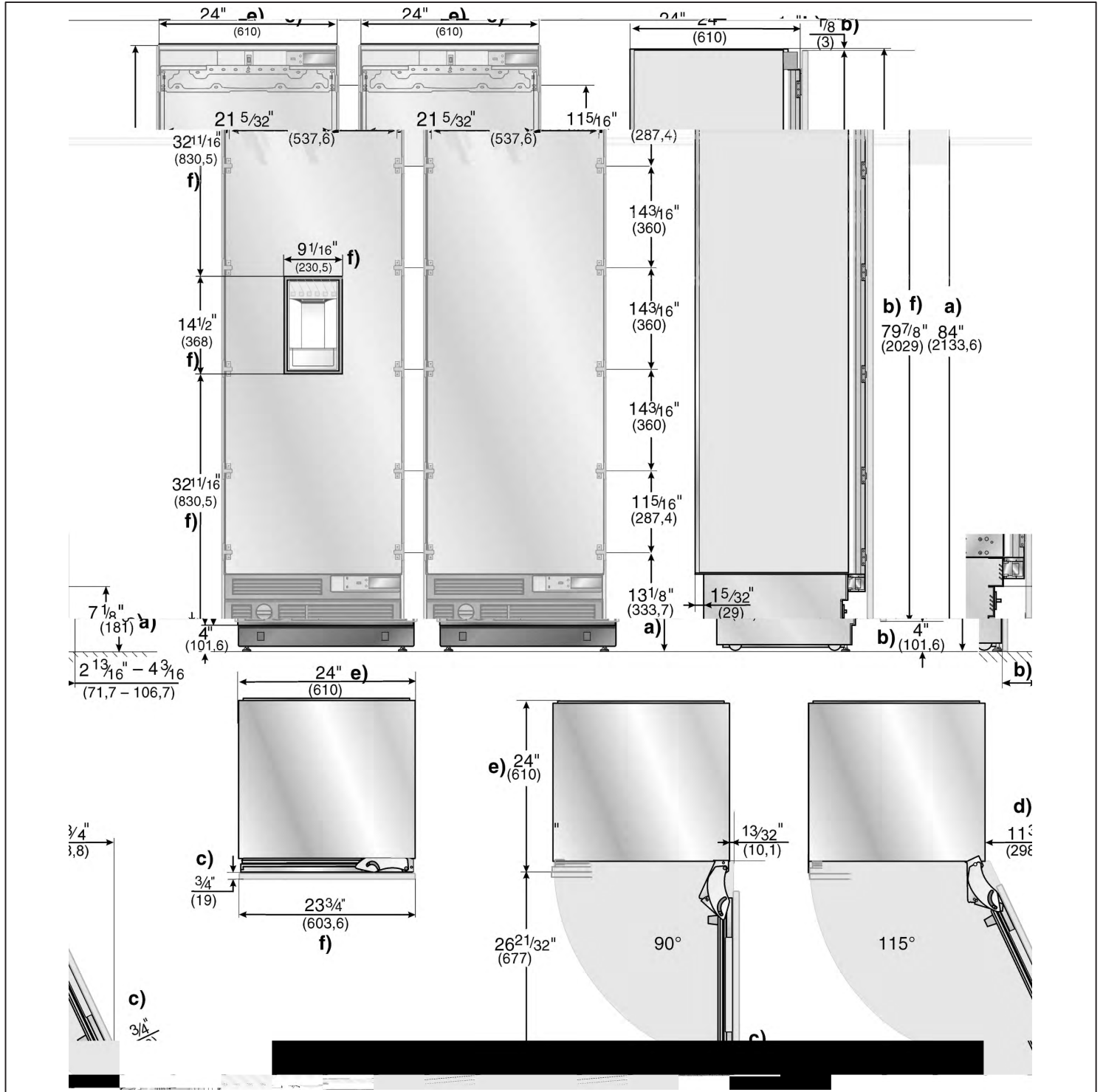
e) Dimensions de l'unité

f) Dimensions du panneau de porte

### Remarque :

Les illustrations ne représentent qu'un style de panneau en bois. Pour obtenir des informations avancées sur les différents styles, veuillez vous reporter au GUIDE DE CONCEPTION.

### 3. Appareil de 24" (Réfrigérateur/Congelateur/Congelateur avec une distributeur de glaçons et d'eau)



**Légende :**

- a) Ajustage des pieds de nivellement entre + 1 3/8" (35 mm) et 1/2" (13 mm).
- b) Les dimensions peuvent différer.
- c) L'épaisseur du panneau de porte peut différer.
- d) Cette dimension peut différer en fonction de l'installation, de l'épaisseur du panneau et du matériel équipant la cuisine.

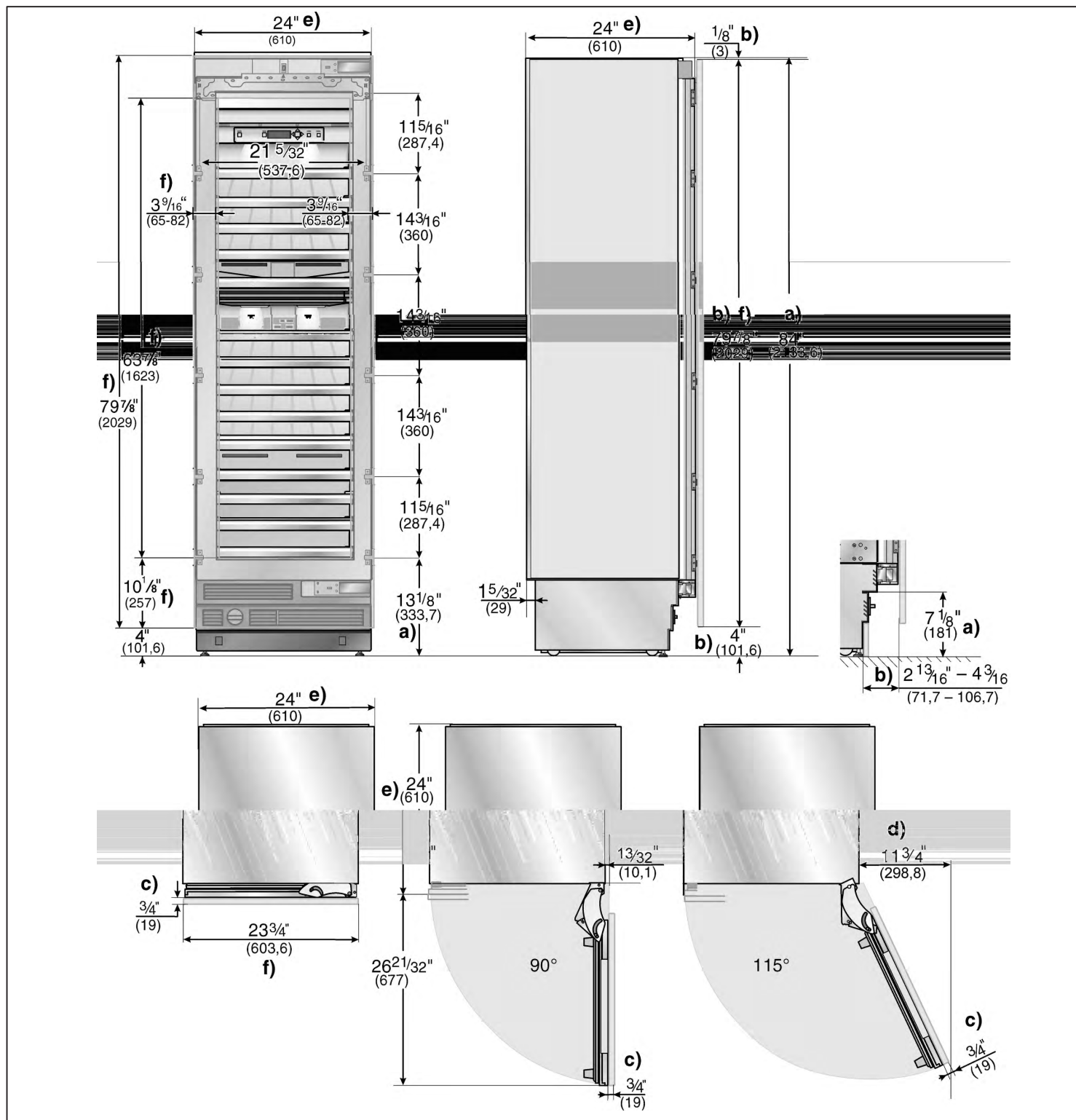
- e) Dimensions de l'unité
- f) Dimensions du panneau de porte

**Remarque :**

Les illustrations ne représentent qu'un style de panneau en bois. Pour obtenir des informations avancées sur les différents styles, veuillez vous reporter au GUIDE DE CONCEPTION.



## 4. Appareil de 24" (Cave à vin)



### Légende :

- a) Ajustage des pieds de nivellement entre + 1 3/8" (35 mm) et 1/2" (13 mm).
- b) Les dimensions peuvent différer.
- c) L'épaisseur du panneau de porte peut différer.
- d) Cette dimension peut différer en fonction de l'installation, de l'épaisseur du panneau et du matériel équipant la cuisine.

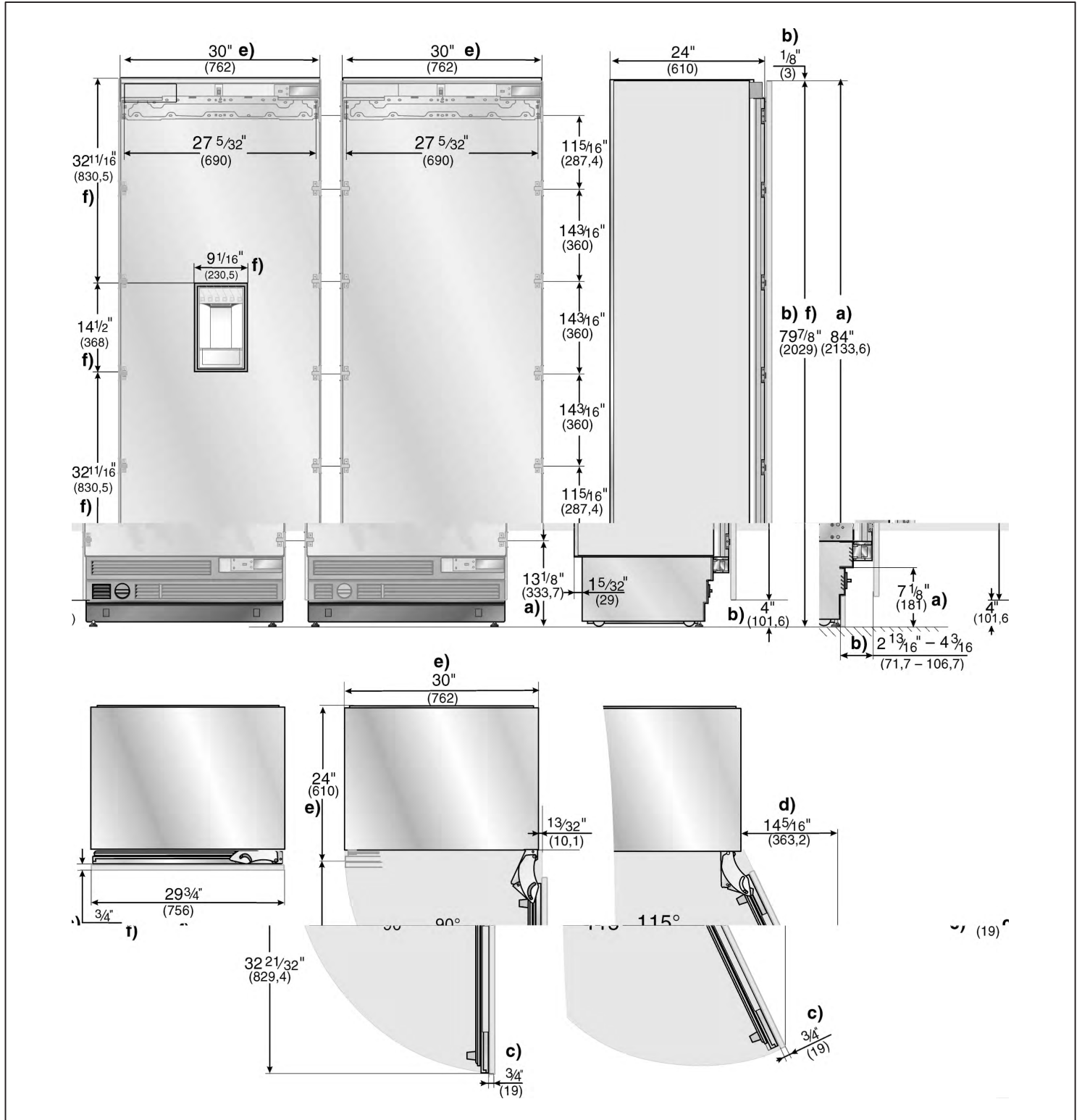
e) Dimensions de l'unité

f) Dimensions du panneau de porte

### Remarque :

Les illustrations ne représentent qu'un style de panneau en bois. Pour obtenir des informations avancées sur les différents styles, veuillez vous reporter au GUIDE DE CONCEPTION.

## 5. Appareil de 30" (Réfrigérateur/Congelateur/Congelateur avec une distributeur de glaçons et d'eau)



### Légende :

- a) Ajustage des pieds de nivellement entre + 1 3/8" (35 mm) et 1/2" (13 mm).
- b) Les dimensions peuvent différer.
- c) L'épaisseur du panneau de porte peut différer.
- d) Cette dimension peut différer en fonction de l'installation, de l'épaisseur du panneau et du matériel équipant la cuisine.

e) Dimensions de l'unité

f) Dimensions du panneau de porte

### Remarque :

Les illustrations ne représentent qu'un style de panneau en bois. Pour obtenir des informations avancées sur les différents styles, veuillez vous reporter au GUIDE DE CONCEPTION.

# Accessoires et outillage requis

## 1. Accessoires fournis

- Instructions d'installation
- Instructions d'utilisation
- Kit d'installation

## 2. Accessoires en option

### Kit de jointolement pour combinaison de base côte à côte

Ce kit permet le raccordement permanent de deux appareils individuels, par exemple d'un congélateur à côté d'un réfrigérateur.

### Kit de chauffage pour combinaison de base côte à côte

Si l'espace vide entre les appareils est inférieur à 6" (10 mm)

### Pièce protège-doigts extra longue

### Pièce d'union des panneaux (bande métallique)

Elle sert à raccorder deux portes de meuble. Utilisable, sans autre travail préparatoire, avec les portes de meuble d'une hauteur standard.

## 3. Autres accessoires requis de fournisseurs spécialisés

### Kit d'installation de distributeur de glaçons, conduite en cuivre de 1/4" de diamètre extérieur

Ce kit sert à raccorder les appareils qui ont besoin d'eau, par exemple pour alimenter un distributeur de glaçons.

**i** Diamètre extérieur maximum de la conduite d'eau (sans les robinetteries) :  $1\frac{3}{32}$ " (10 mm).

## 4. Outils

- Visseuse sans cordon T20
- Tournevis Torx T20 (empreinte cruciforme)
- Embout Torx T20 + support magnétique
- Clé à pipe  $\frac{5}{16}$ " (8 mm) pour écrou hexagonal
- Forets à bois de différentes tailles
- Clé à fourche, calibre SW 13/16"
- Pince multiprises
- Clé anglaise
- Cutter à lame ajustable
- Mètre à ruban
- Équerre
- Niveau à bulle de 2' (60 cm) et 4' (1,2 m)
- Niveau de marquage, longueur minimum 4' (1,2 m) en présence d'un appareil individuel, ou de 7' (2,0 m) en cas d'installation côte à côte.

## 5. Autres

- Escabeau
- Socle mobile, diable brouette
- Perceuse à percussion pour percer des trous dans le mur ou le sol
- Forets adaptés aux matériaux et de différentes dimensions
- Madrier (section minimum 3" x 4") à titre de protection alternative contre le renversement, d'une longueur correspondant à la cavité d'installation
- Vis à bois de différentes tailles
- Matériau mince (au maximum  $\frac{1}{16}$ " (1.5 mm)) pour protéger le revêtement de sol (en linoléum par exemple) contre les dégâts
- Matériau approprié pour recouvrir et protéger les meubles (par ex. feuilles protectrices).
- Ruban adhésif

# Instructions d'installation

## ⚠ Prudence ⚠

La notice de montage suivante décrit les étapes de montage pour différents types d'appareils :

- Unités de réfrigération
- Unités de congélation
- Unités de congélation avec distributeur de glaçons
- Unités de congélation avec distributeur de glaçons et d'eau
- Unités caves à vin

Pour cette raison et selon les circonstances, il peut arriver que le contenu des illustrations ne corresponde pas exactement avec les appareils réels.

La notice décrit les étapes de montage spécifiques à certains types d'appareils.

## 1. Vérification de la cavité d'installation

### ⚠ Prudence ⚠

Pour assurer une installation sûre et sans incident, et pour que la façade générale du mobilier offre une esthétique optimale, vérifiez avec soin si la cavité d'installation est conforme aux exigences d'installation.

Avant de commencer l'installation, vérifiez que la cavité est conforme à toutes les exigences visant une installation sûre et sans incident.

- ❑ Vérifiez le sol.  
Suivez les instructions figurant à la page 47 dans la section «Lieu d'installation».
- ❑ Vérifiez la dimension de la cavité.
- ❑ Vérifiez que la cavité présente des angles droits.
- ❑ Vérifiez l'emplacement de la prise.  
Respectez également les instructions figurant à la page 49, dans la section «Raccordement à l'alimentation électrique», ainsi qu'à la page 53, dans la section «Dimensions d'installation».
- ❑ Vérifiez l'emplacement du branchement de l'eau (uniquement pour les appareils équipés d'un distributeur de glaçons).  
Respectez également les instructions figurant à la page 49, dans la section «Raccordement de l'eau».

- ❑ Vérifiez la fixation des meubles/appareillages adjacents. Toutes les pièces constitutives d'un meuble à proximité de l'appareil doivent être fixées de manière sûre contre le mur.
- ❑ Vérifiez que les meubles/appareillages adjacents n'entreront pas en collision (angle d'ouverture de porte).

## 2. Transport de l'appareil

### ⚠ Prudence ⚠

L'appareil est très lourd. Soyez prudent sinon les assistants risquent de se blesser ou l'appareil de s'endommager.


- ❑ Transportez l'appareil avec un moyen de transport approprié au lieu d'installation et à l'appareil (diable, chariot élévateur ou chariot à roulettes).
- ❑ Sécurisez l'appareil pour empêcher son renversement pendant le transport.

L'appareil fait 2134 mm de haut. Si le transport en position debout n'est pas possible du fait de la configuration du lieu, il est possible de le transporter couché.

### ⚠ Prudence ⚠

Ne soulevez pas l'appareil par les panneaux latéraux ! Risque d'endommagement !

Au moment de redresser l'appareil, respectez la hauteur minimum nécessaire sur le lieu d'installation, ainsi que le contenu du tableau suivant :

Largeur de l'appareil	Redressement via le dos de l'appareil	Redressement via la paroi arrière de l'appareil
18" / 457 mm	86" / 2185 mm	 <p><b>Ne soulevez pas l'appareil par les panneaux latéraux !</b></p>
24" / 610 mm	86" / 2185 mm	
30" / 762 mm	86" / 2185 mm	

### 3. Enlèvement de l'emballage

#### **AVERTISSEMENT**

- L'appareil risque de se renverser pendant son déballage.
  - L'appareil est très lourd.
  - Lorsque vous ouvrez la porte de l'appareil, ce dernier risque de basculer en avant.
- Soyez prudent, sinon les personnes qui vous aident risquent de se blesser et l'appareil risque quant à lui de s'endommager.

Pour protéger le sol contre les dégâts pendant l'installation :

- ❑ Fixez un morceau de moquette, linoléum, etc., contre le sol, en face de l'emplacement d'installation prévu.

#### **PRUDENCE**

Appliquez toujours le moyen de transport au dos de l'appareil. Ne le passez jamais sous l'avant ou sous un côté de l'appareil.

**Vous risquez sinon d'endommager l'appareil !**



- ❑ Déplacez l'appareil de manière sûre à l'aide du diable brouette.
- ❑ Retirez l'emballage de transport :
  - Enlevez le carton. Utilisez le cutter avec prudence pour ne pas endommager les surfaces de l'appareil.
  - Sortez les accessoires fournis ; ils se trouvent dans les pièces de protection de l'emballage.

#### **PRUDENCE**

Tant que l'installation n'est pas terminée, ne retirez pas les cales de sécurité qui, pendant le transport, protègent les clayettes et les bacs de rangement à l'intérieur de l'appareil, sinon ces pièces risquent de s'endommager.

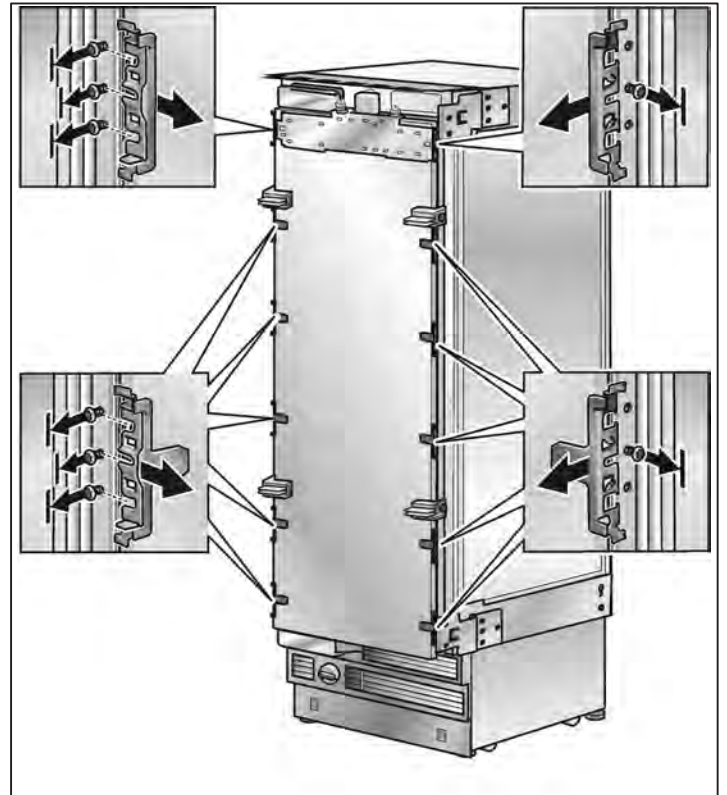
- ❑ Vérifiez si l'appareil a été endommagé pendant son transport.

N'installez pas l'appareil s'il est visiblement endommagé. Prévenez votre revendeur en cas de doute.

### 4. Préparation de l'appareil

- ❑ Enlevez les brides latérales et les plaques de retenue qui servent à fixer les façades de meuble. Pour cela, desserrez les vis de fixation et retirez les butées.

- i** Rangez les butées dans des récipients appropriés sinon vous risquez de les perdre.



### 5. Inversion du sens d'ouverture des portes

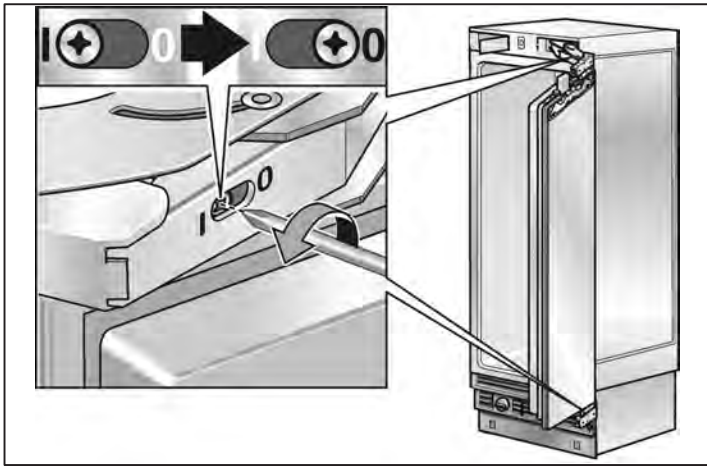
#### **PRUDENCE**

Avant de travailler sur les charnières, détendez le ressort. Risque de blessure !

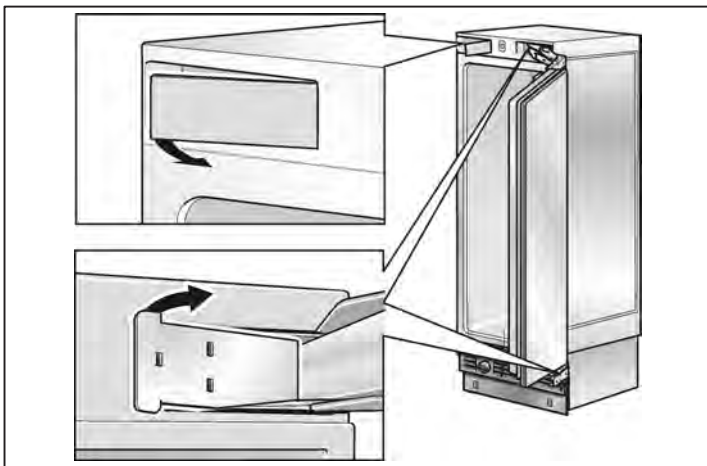
Vous serez peut-être obligé de changer le sens d'ouverture de porte, ceci dépendant de la configuration du lieu.

- i** S'il n'est pas nécessaire de changer le sens d'ouverture de porte, passez à l'opération de montage suivante.

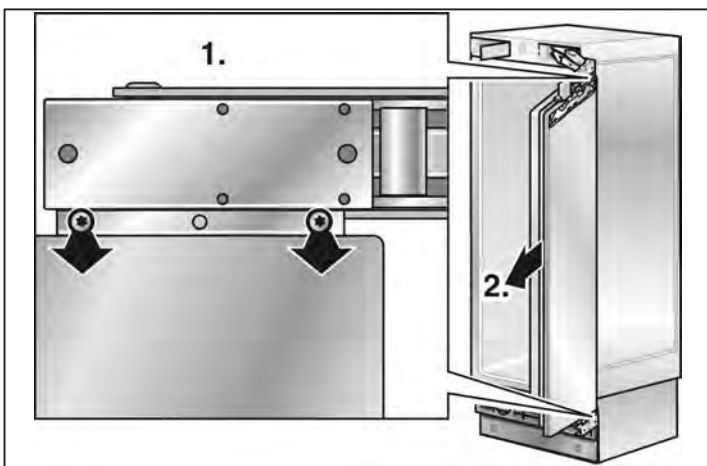




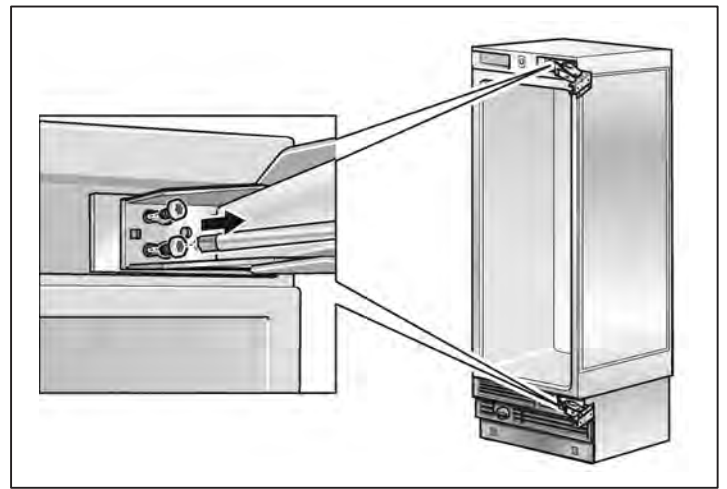
- ❑ Détendez le ressort sur la charnière. Desserrez la vis en l'amenant de I à 0.



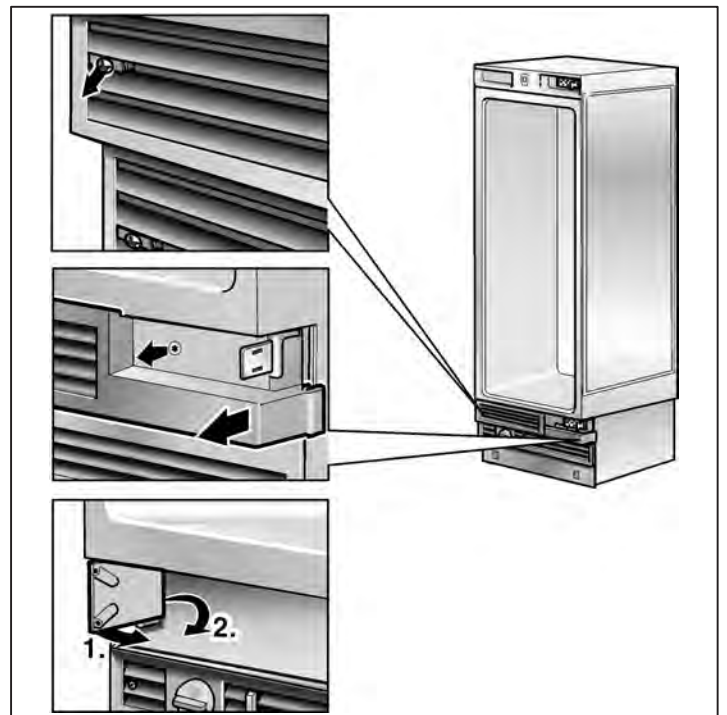
- ❑ Retirez le couvercle du boîtier à charnière.



- ❑ Dévissez la porte.

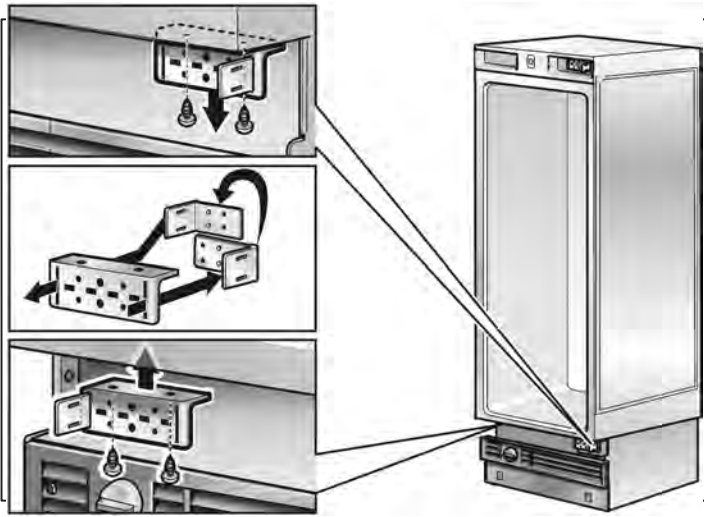


- ❑ Retirez les charnières.

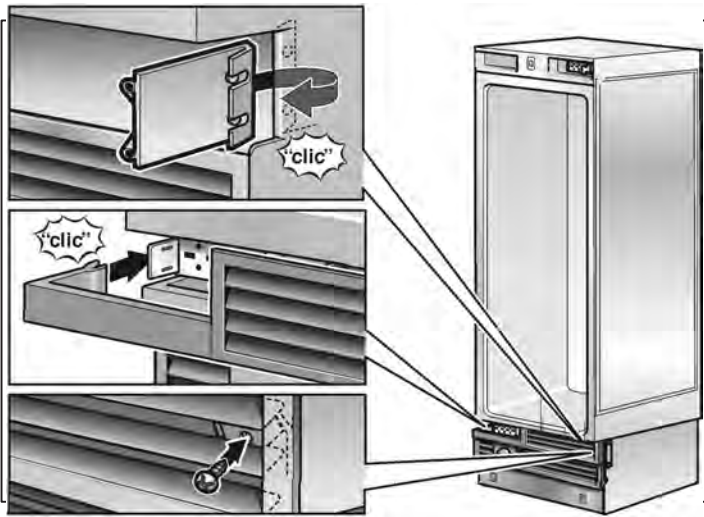


- ❑ Retirez les pièces de la grille.

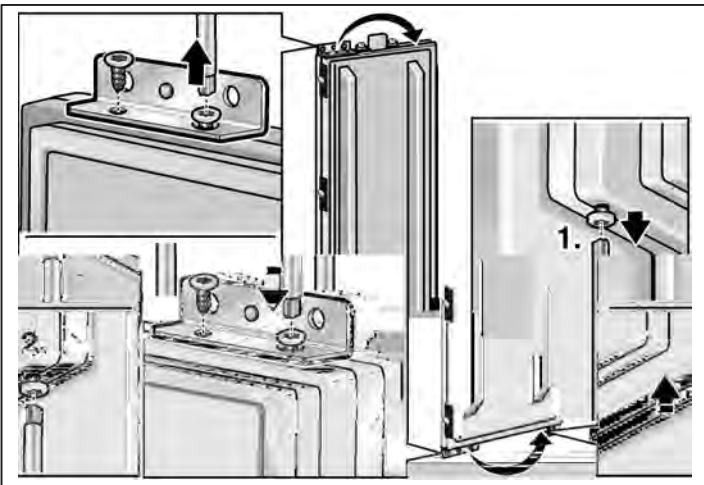
**i** Servez-vous de pièces neuves.



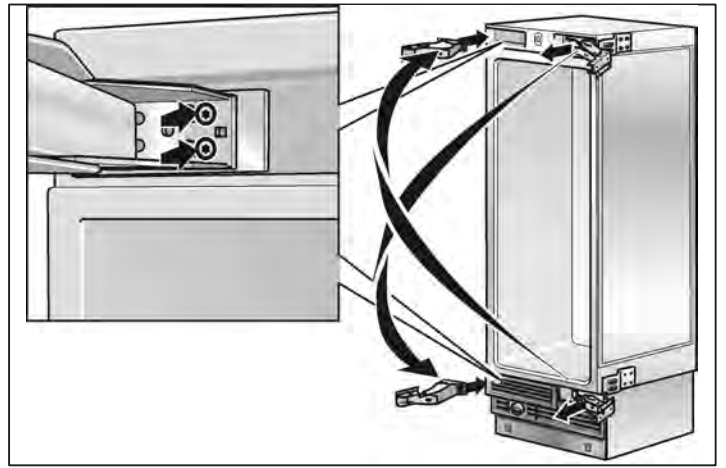
❑ Permutez l'angle de la charnière.



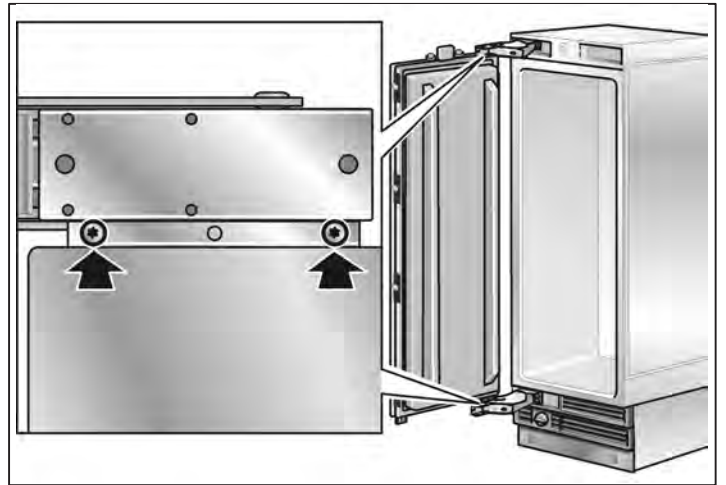
- ❑ Adaptez la pièce en plastique de la grille.
- ❑ Montez au complet les pièces de la grille.



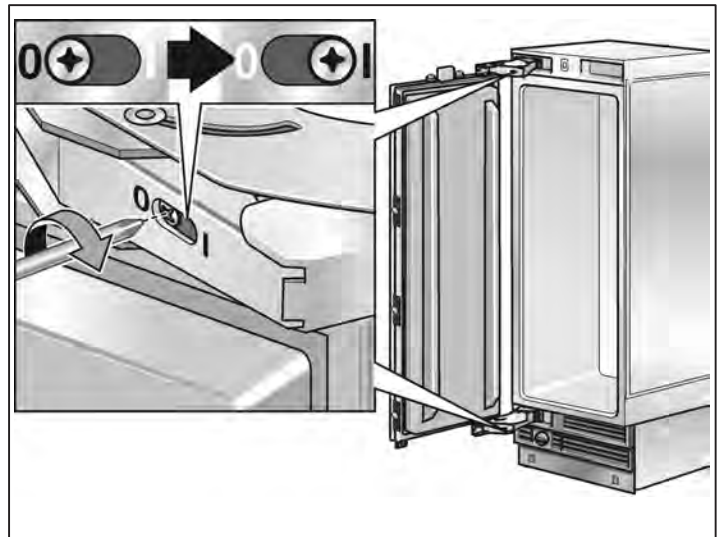
❑ Permutez les pièces de fixation sur la porte.



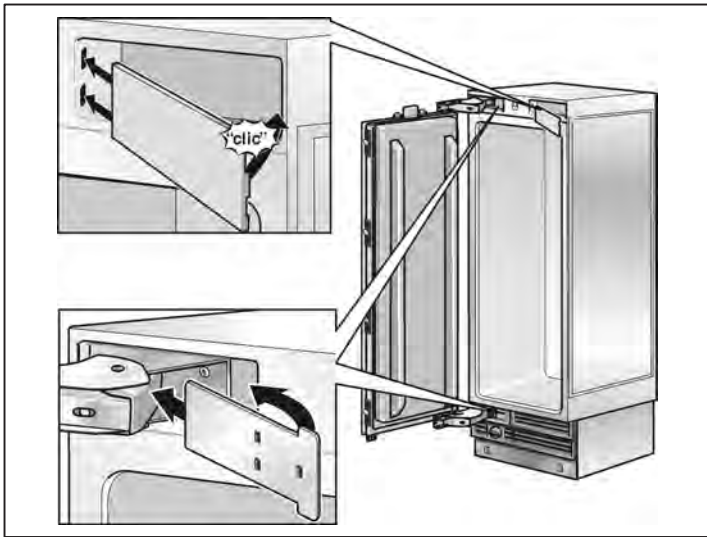
❑ Fixez les charnières sur l'appareil. Permutez les charnières selon un ordre croisé !



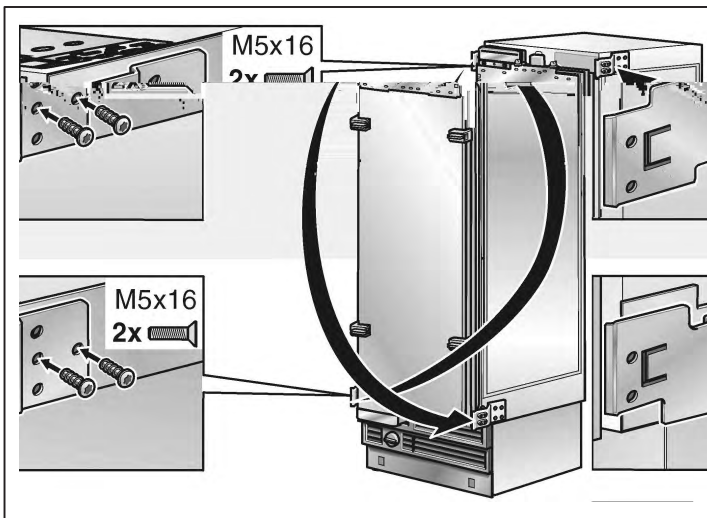
❑ Fixez la porte.



❑ Tendez le ressort sur la charnière. Serrez la vis en la déplaçant de 0 vers I. Ensuite, refixez le couvercle de la boîte à charnière.



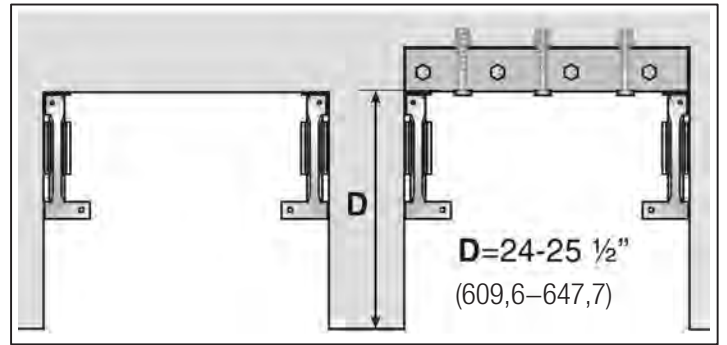
- ❑ Refixez le couvercle de la boîte à charnière.



- ❑ Permutez les plaques de fixation selon un ordre croisé.

## 6. Préparation de la cavité d'installation

- i** Il faut 2 brides anti-renversement pour chaque appareil ou combinaison d'appareils (côte à côte).
- ❑ Déterminez les points de fixation des brides anti-renversement.  
Déterminez les dimensions détaillées conformément à la section «Dimensions d'installation», en commençant à partir de la page 50.



- ❑ Si la cavité d'installation est plus profonde que l'appareil, placez un madrier derrière les brides anti-renversement et fixez de manière sûre contre le sol ou le mur.  
La longueur du madrier est égale à la largeur de la cavité d'installation.

### REMARQUE IMPORTANTE

Si possible, vissez toujours le madrier contre les tiges situées sur le panneau arrière de la cavité.

Dans certains cas d'installation, le plancher ou le plancher fini pourront obliger à couder les vis à bois servant à fixer les brides anti-renversement contre le mur arrière.

- i** Information importante pour fixer de manière sûre les brides anti-renversement :
  - Le kit fourni contient des vis de fixation destinées à différentes applications. Sélectionnez les vis de fixation conformément aux conditions locales.
  - Si les vis de fixation fournies ne permettent pas de fixer de manière sûre les brides anti-renversement, donc l'appareil, il faudra recourir à une autre méthode pour fixer les brides anti-renversement en toute sécurité.

### ⚠ AVERTISSEMENT ⚠

Veillez à ce qu'il n'y ait aucun fil électrique ou conduite dans lesquels les vis risqueraient de pénétrer.  
Risque de blessures et d'endommagement !



## Application sur plancher en bois

Utilisez les vis à bois fournies avec l'appareil, voir la vue d'ensemble «Utilisation des vis provenant du jeu de vis».

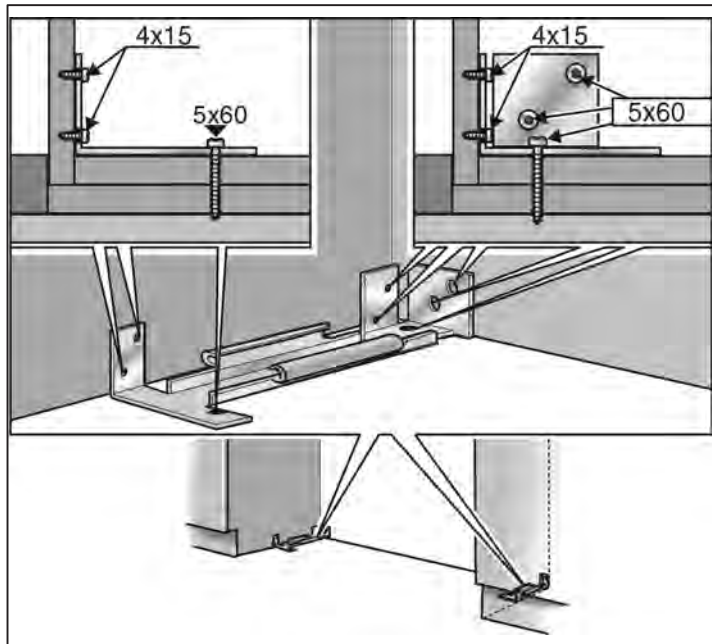
- ❑ Percez des trous de guidage :

De  $\frac{1}{8}$ " (3 mm) pour les vis à bois faisant 5x60 mm

De  $\frac{5}{64}$ " (2 mm) pour les vis à bois faisant 4x15 mm

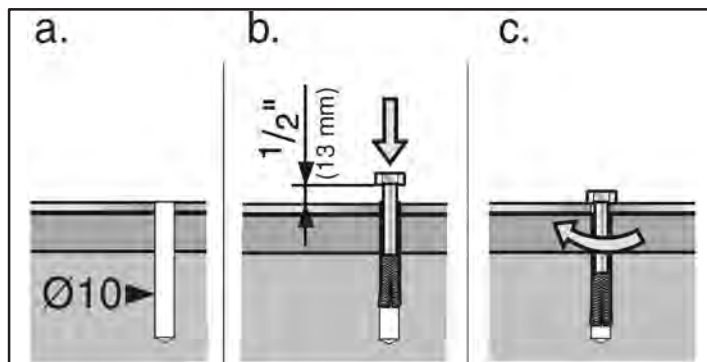
Assurez-vous que les vis traversent bien le plancher et pénètrent d'au minimum  $\frac{3}{4}$ " dans le panneau mural.

- ❑ Fixez complètement la bride anti-renversement. Assurez-vous que les vis tiennent fermement.

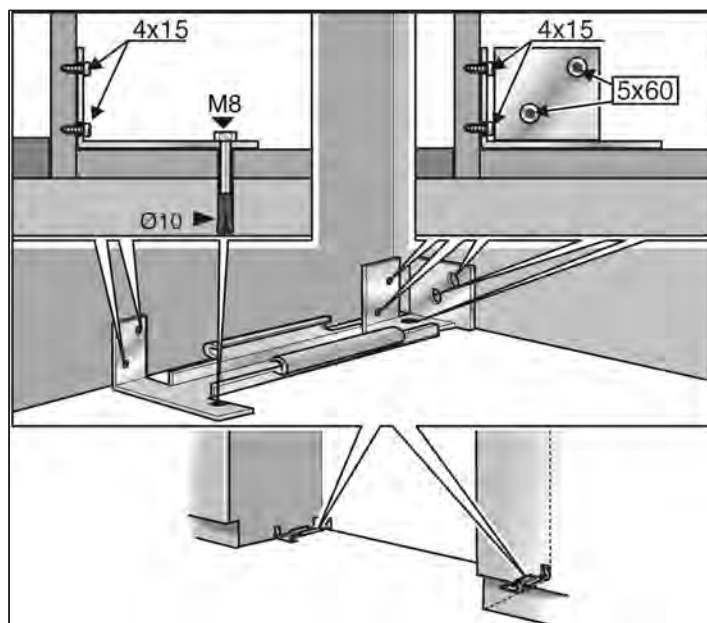


Utilisez une ancre M8 à béton et une vis M8 à béton. A titre d'utilisation additionnelle, des vis à bois accompagnent l'appareil, voir la vue d'ensemble «Utilisation des vis provenant du jeu de vis».

- ❑ Percez un trou de 10 mm de diamètre, d'une profondeur quelconque dépassant la longueur d'ancrage minimum. Utilisez le foret fourni.
- ❑ Nettoyez le trou ou continuez de percer un peu plus profond.



- ❑ Vissez la vis à la main dans la cheville, jusqu'à ce qu'une légère résistance se manifeste.
- ❑ Enfoncez la vis avec la cheville dans le trou, jusqu'à ce que la tête de la vis se trouve à env.  $\frac{1}{2}$ " (13 mm) de la bride anti-renversement.
- ❑ Serrez la vis à fond.



## Application sur sol en béton



# PRUDENCE



Portez toujours des lunettes enveloppantes ou d'autres dispositifs et équipements de protection nécessaires lorsque vous installez des ancrages ou travaillez avec des ancrages. Risques de blessures !

Ancres déconseillées dans la maçonnerie légère ou dans des matériaux tels que les parpaings ou les briques.

Ancres déconseillées dans le béton neuf qui n'a pas encore eu le temps de prendre.

N'utilisez pas de foret à carotte pour percer les trous préparatoires à la pose de cette ancre.

## 7. Fixation d'un dispositif anti-renversement alternatif

### REMARQUE IMPORTANTE

Si possible, vissez toujours le madrier contre les tenons préexistants situés sur le panneau arrière de la cavité.

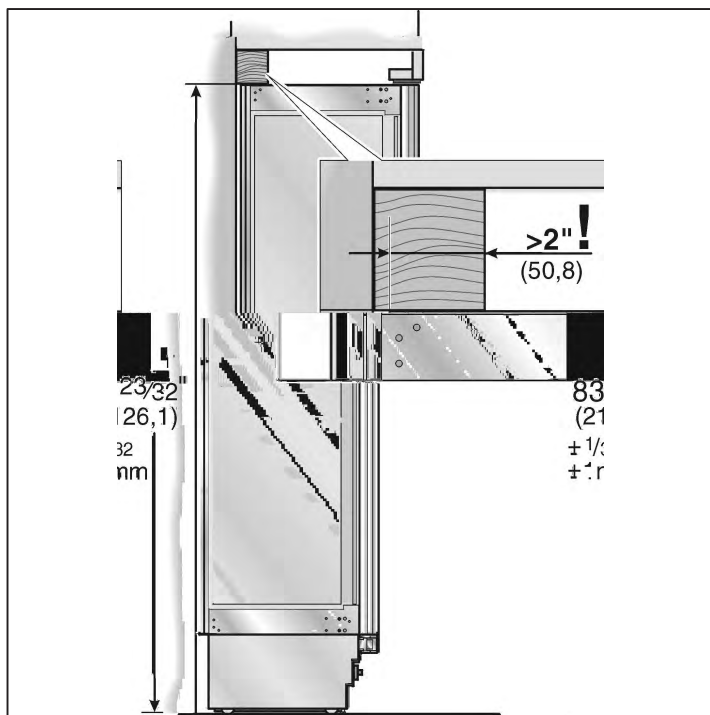
S'il n'est pas possible de fixer les brides anti-renversement de manière sûre, vous pouvez fixer un dispositif anti-renversement alternatif. Toutefois, veillez à ce qu'il n'y ait pas de jeu entre l'appareil et le dispositif anti-renversement.

- ❑ Sciez le madrier (section minimum 3" x 4") à la longueur requise.

La longueur est égale à la largeur de la cavité d'installation !

#### **i** Remarque

- Si la cavité d'installation est plus profonde que l'appareil, sélectionnez un madrier qui présente une plus forte section ou fixez 2 madriers l'un contre l'autre.
- Le madrier doit recouvrir l'appareil sur au moins 2" (50,8 mm).



- ❑ Sur le panneau arrière de la cavité, marquez la hauteur de l'installation (bord inférieur du madrier).
- ❑ Sélectionnez les vis conformément à l'épaisseur du madrier : longueur = 2,5 min. x épaisseur du madrier, diamètre #12 ou #14.

- i** Déterminez le nombre de vis en fonction de la largeur de la cavité, en veillant à ce que la poutre puisse être fixée de manière sûre.
- ❑ Localisez les montants du mur près du panneau arrière de la cavité et marquez les emplacements des trous dans le madrier.
- ❑ Percez des trous préparatoires dans le madrier.
- ❑ Fixez le madrier contre le panneau arrière de la cavité.

## 8. Préparation du raccordement de l'eau

(seulement pour les appareils qui requièrent un raccordement à l'eau courante).

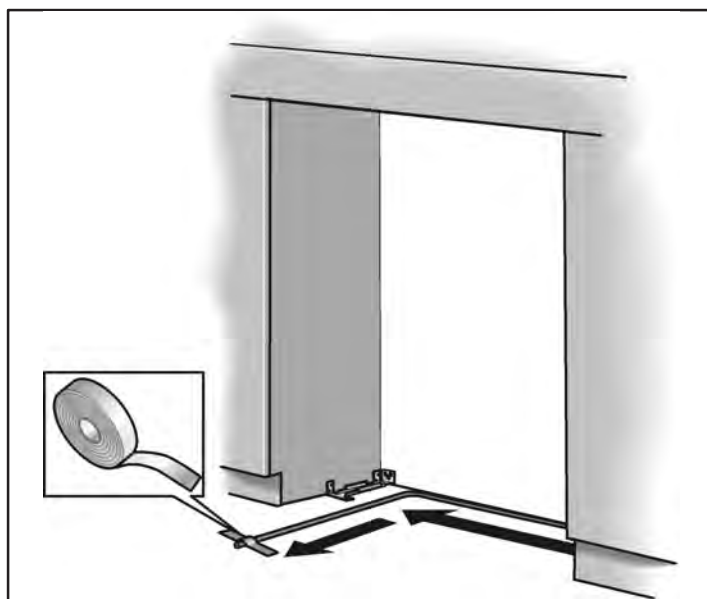


### PRUDENCE



Refermez le robinet d'eau principal pour empêcher que l'eau, en fuyant, ne provoque des dégâts.

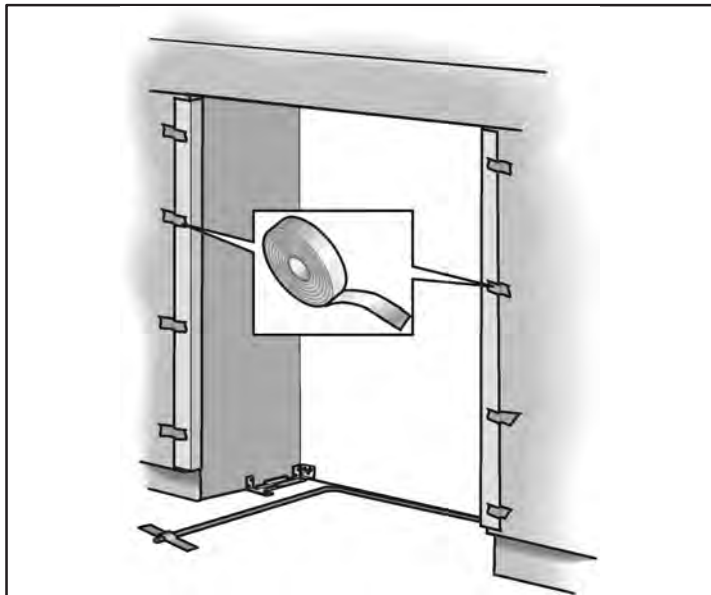
- ❑ Branchez la conduite de raccordement contre la vanne de fermeture en respectant les instructions fournies par le fabricant du kit destiné à l'installation du distributeur de glaçons.
- ❑ Installez la conduite de raccordement. Respectez toujours les dimensions spécifiées pour l'espace libre, ceci pour empêcher d'endommager la conduite de raccordement lorsque vous poussez l'appareil.



- ❑ Fixez la conduite de raccordement contre le plancher à l'aide de ruban adhésif.



## 9. Fixation du protège-bordures

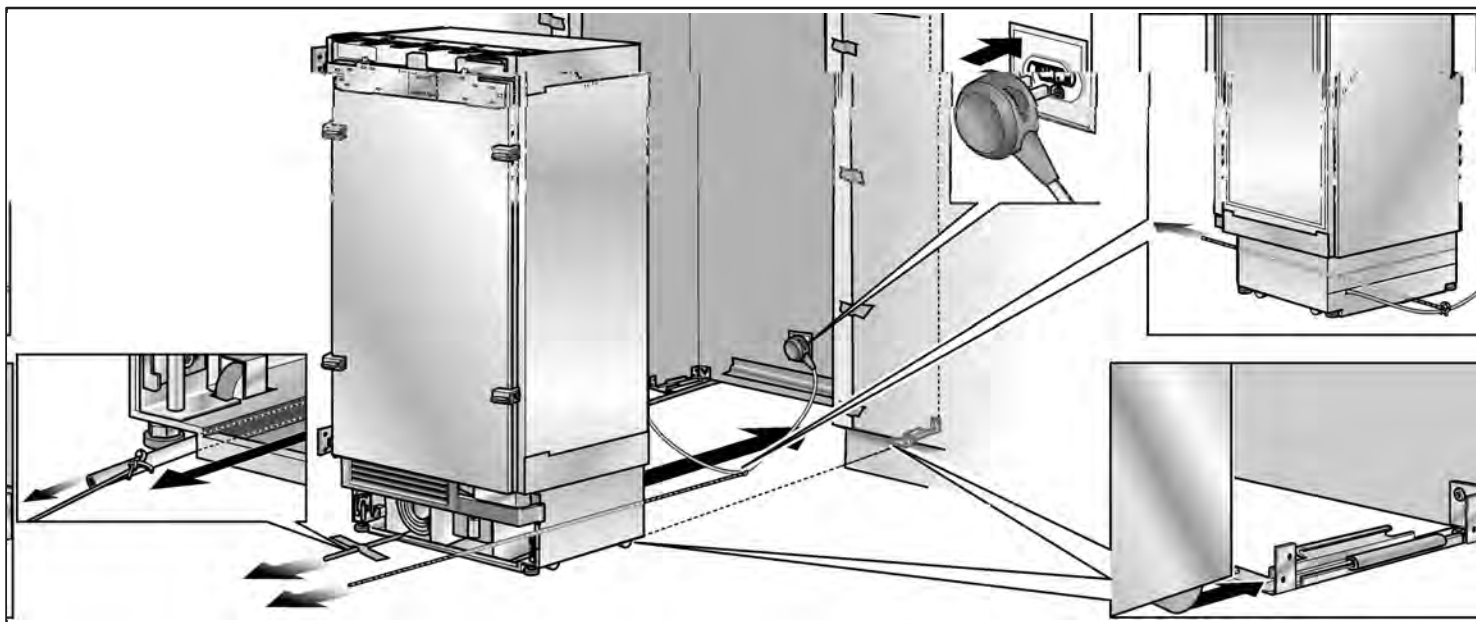


- ❑ Pour protéger les angles de la cavité, fixez les cornières de protection dans ces angles à l'aide de ruban adhésif.

## 10. Installation côte à côte

- i** Si vous prévoyez une installation côte à côte, il faut relier maintenant les deux appareils l'un avec l'autre. Veuillez vous reporter au manuel de installation pour connaître les informations sur la Installation côte à côte.

## 11. Pousser l'appareil dans la cavité d'installation



### PRUDENCE



Prudence lorsque vous poussez l'appareil dans la cavité d'installation. Veillez bien à ne pas endommager la conduite d'eau ou le cordon d'alimentation électrique fixé contre le sol.

- i** Si le plancher ou l'appareil n'est pas horizontal par rapport à la cavité d'installation, ajustez les roues réglables en hauteur avant d'introduire l'appareil dans la cavité d'installation.
- ❑ Branchez la fiche mâle dans la prise de courant.

- i** En présence d'appareils côte à côte, il faudra utiliser deux prises, une pour chaque appareil.

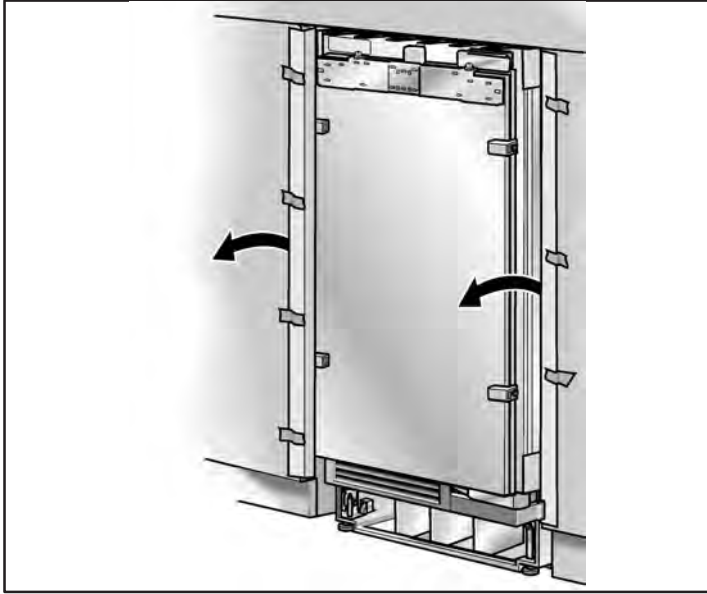
- ❑ Veillez à ne pas coincer ni pincer le cordon d'alimentation électrique.

Fixez une cordelette au milieu du cordon d'alimentation électrique et faites le passer sous l'appareil. Continuez de tirer le cordon au fur et à mesure que vous enfoncez l'appareil.

Ou bien

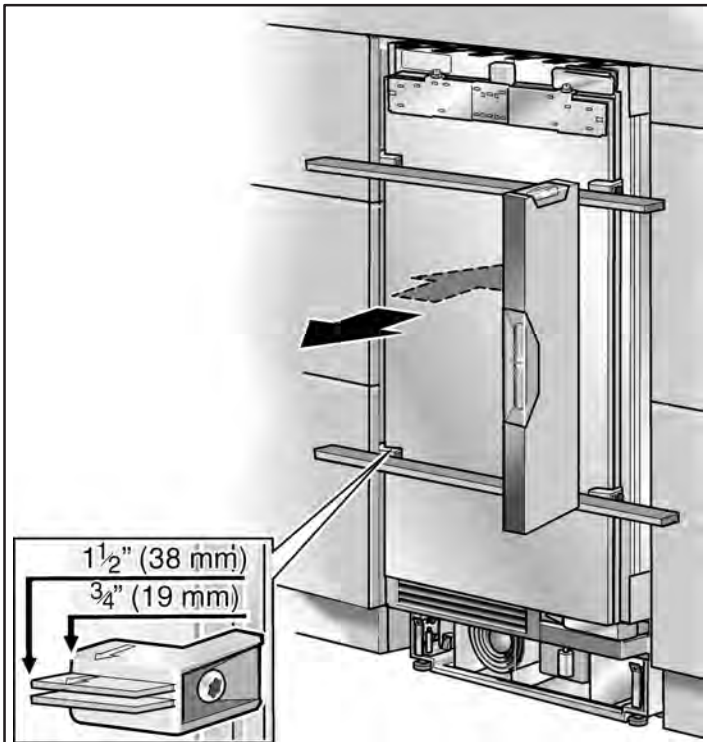
Prenez du ruban adhésif, collez le cordon d'alimentation électrique contre le plancher, au centre derrière l'appareil, à env. 15" (380 mm) du panneau arrière de la cavité.

- ❑ Poussez doucement l'appareil dans la cavité jusqu'à ce que la roue réglable en haute se verrouille avec les brides anti-renversement.



- ❑ Enlevez le dispositif de protection des angles.

## 12. Installation et alignement de l'appareil



- ❑ Alignez l'appareil sur la façade des meubles.  
Placez le niveau à bulle sur les règles situées sur la porte et servant d'aide à l'installation.

- i** Ces pièces d'aide à l'installation ont été conçues pour des portes de meuble faisant l'épaisseur totale suivante :

- $\frac{3}{4}$ " (19 mm)
- $1\frac{1}{2}$ " (38 mm)

Tenez toujours compte de l'épaisseur, peut-être différente, des façades de meuble qui devront être installées par la suite.

Les pieds réglables en hauteur équipant l'avant et l'arrière de l'appareil se laissent régler depuis l'avant de l'appareil.

Avant : A l'aide d'une clé à fourche  $\frac{1}{2}$ " (calibre SW 13)

Arrière : A l'aide d'un tournevis à douille  $\frac{5}{16}$ " (8 mm) via une queue flexible.

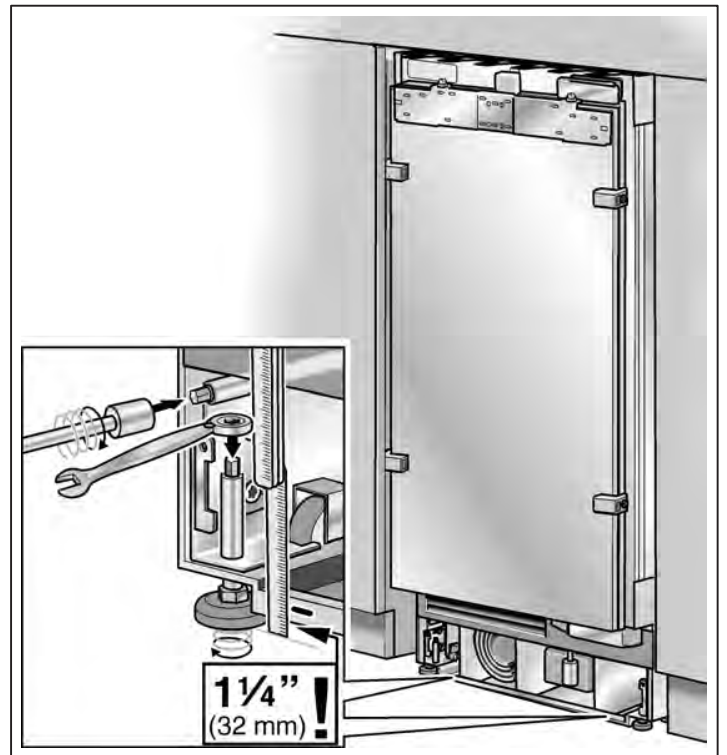


**PRUDENCE**



Ne le utilisez jamais avec une visseuse sans cordon.

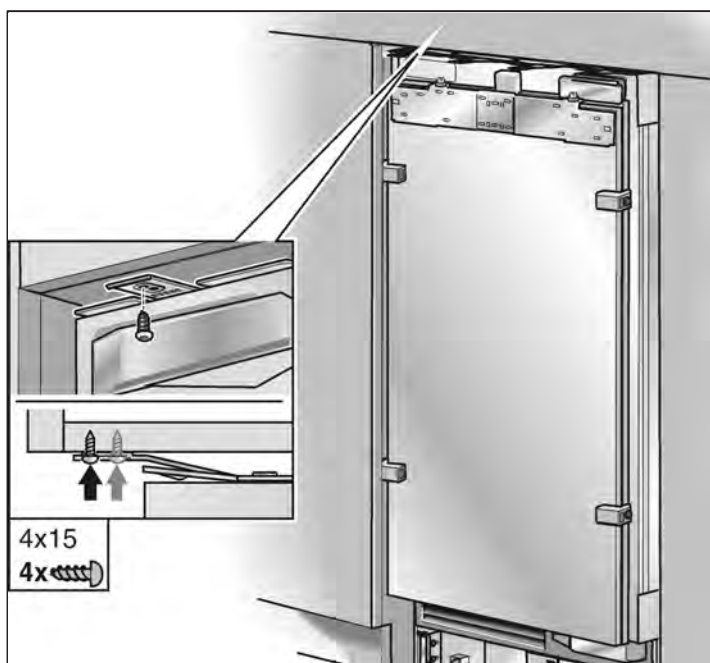
A titre de cote de référence pour l'ajustage en hauteur, une marque a été apposée contre la base de l'appareil. Lors de l'ajustage, il faudra amener cette marque sur une hauteur de  $1\frac{1}{4}$ " (32 mm) au-dessus du sol.



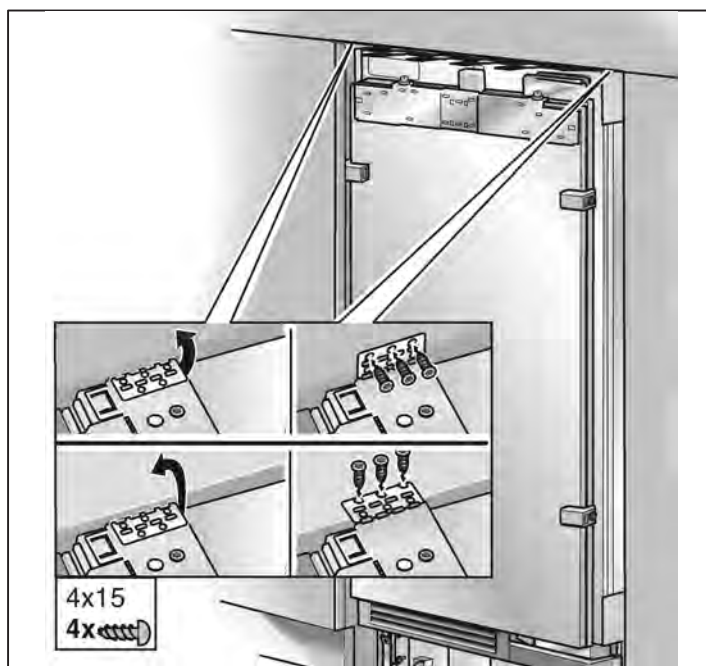
- ❑ Dévissez les pieds réglables en hauteur jusqu'à ce que la marque sur la base/le sol a atteint la dimension guide indiquée ( $1\frac{1}{4}$ "/32 mm).

- i** Il est très important de respecter cette dimension pour pouvoir ensuite aligner les façades des meubles.
- ☐ Alignez les façades des meubles à l'aide d'un niveau à bulle
- i** Remarque:
  - Ne voilez pas ni ne poussez pas l'appareil de force dans la cavité ! Lorsque vous dévissez les pieds réglables en hauteur, procédez graduellement : alternez en permanence entre les côtés gauche et droit, gauche et droit, etc.
  - Si vous délestez l'arrière de l'appareil, l'ajustage de ses pieds arrière réglables est plus facile.
  - Si vous utilisez un madrier à titre de dispositif alternatif anti-renversement selon la section 6 de ce manuel d'installation, faites tourner l'appareil tout le long en direction du madrier.

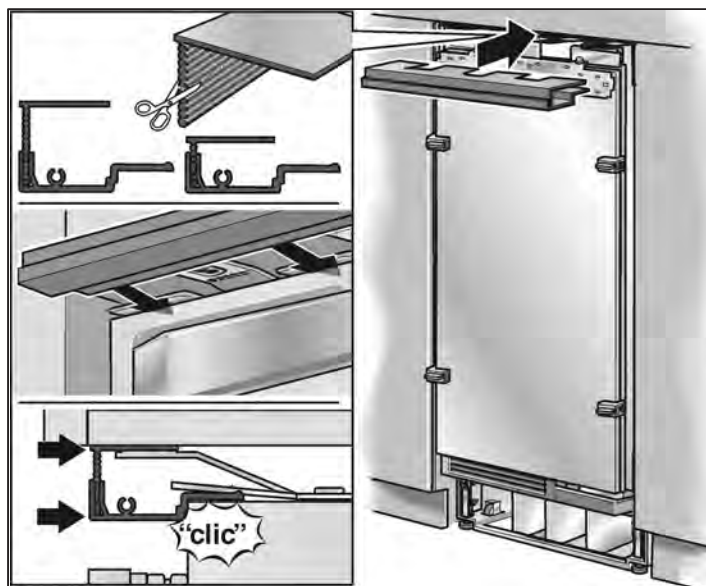
### 13. Fixation de l'appareil contre le sommet de la cavité



- ☐ Vissez les pattes de fixation (en haut) contre le meuble/les appareillages du dessus.

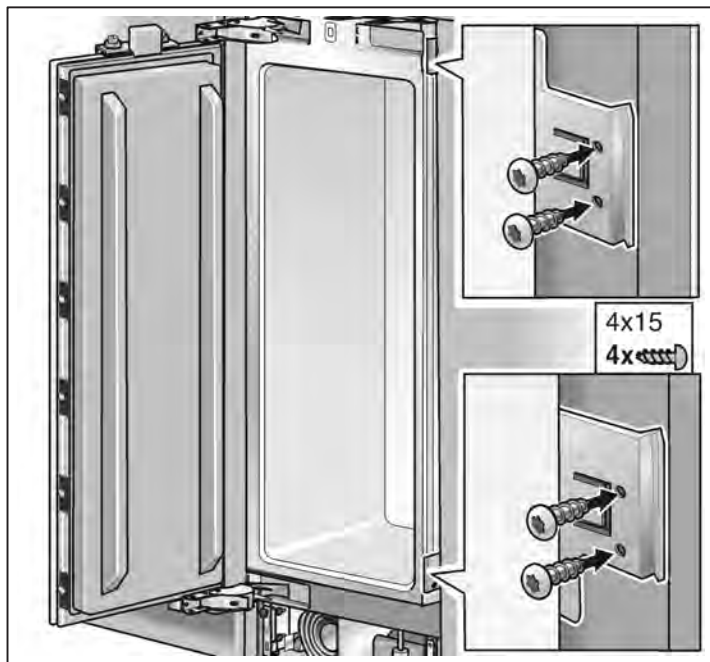


- ☐ Fixez les pattes de fixation latérales (en haut) en fonction des conditions d'installation. S'il n'y a pas d'interstice ou seulement un interstice étroit, il n'est pas nécessaire de fixer les pattes latérales.
- ☐ En présence d'une cavité assez importante au dessus de l'appareil, montez impérativement un madrier aux dimensions adaptées et sans jeu au dessus de l'appareil.



- ☐ Fixez le bandeau de recouvrement contre la plaque de fixation (en haut).  
Raccourcissez la bande d'ajustage à la hauteur voulue !

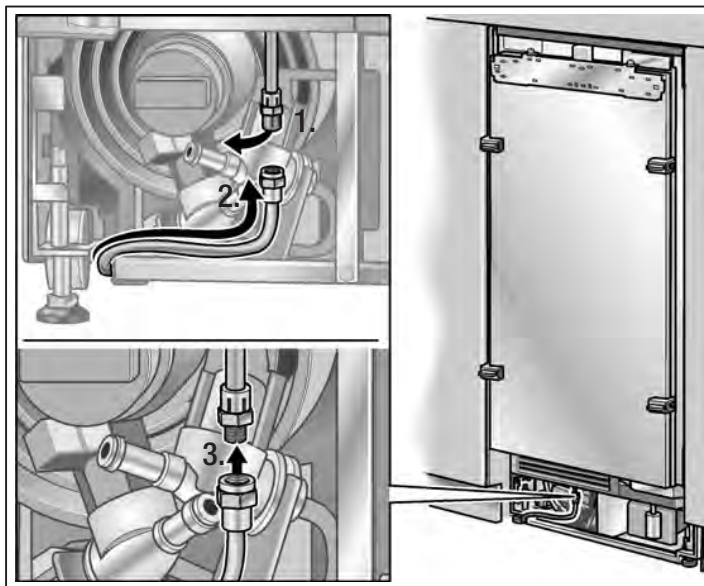
## 14. Fixation de l'appareil individuel contre les côtés de la cavité



- ❑ Vissez les pattes de fixation (latérales) contre le meuble/les appareillages adjacents (uniquement dans le cas d'un appareil individuel)

## 15. Raccordement de l'eau à l'appareil

- i** Lorsque vous raccordez la conduite d'eau à l'électrovanne de l'appareil, respectez les instructions fournies par le fabricant du kit servant à installer le distributeur de glaçons ; ces instructions accompagnent le manuel d'installation.



- ❑ Retirez le capuchon du raccord ① de l'appareil.
- ❑ Coupez la conduite conformément à l'emplacement du raccord sur l'appareil ②.
- ❑ Poussez l'écrou de jonction et le joint contre la conduite d'eau.
- ❑ Poussez l'extrémité de la conduite d'eau dans le raccord de l'appareil et vissez l'écrou ③. Serrez à fond mais à la main.
- ❑ A l'aide d'une clé à fourche, serrez l'écrou de jonction. Veillez à ne pas serrer à l'excès !
- ❑ Ouvrez la vanne de fermeture et le robinet d'eau principal. Vérifiez si le raccord de la vanne de fermeture et celui de l'appareil présentent des fuites.



### PRUDENCE



Lorsque vous recourbez une conduite d'eau, ne la pliez pas, sinon il y a risque que de l'eau fuie et provoque des dégâts.  
Utilisez des accessoires de coudage.



## 16. Fixation du bandeau de socle

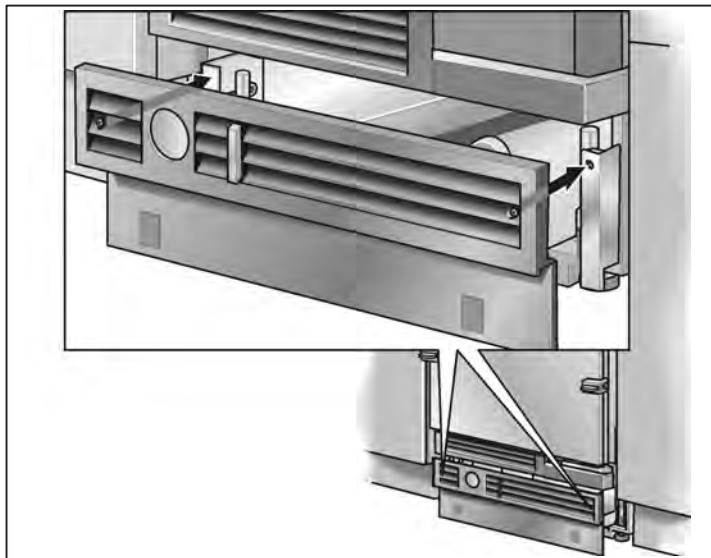


### PRUDENCE

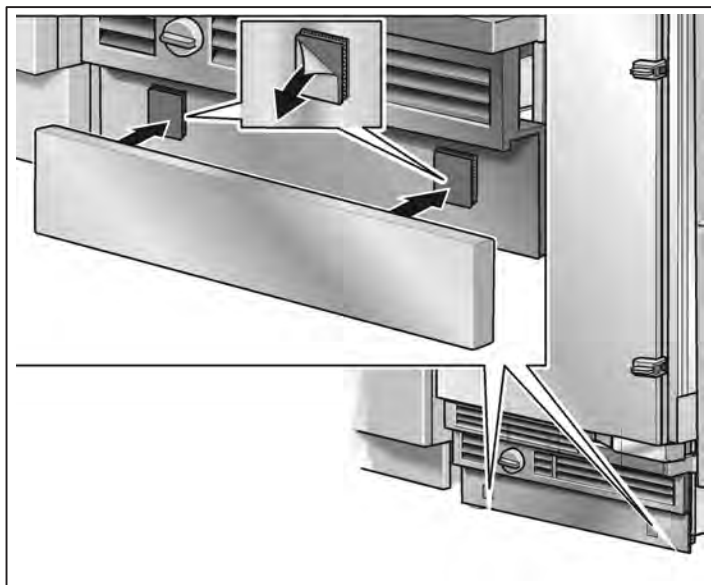


La hauteur maximale du bandeau de socle est de 4" depuis la surface du plancher. Ne recouvrez pas les ouïes de ventilation que comporte le panneau de base. Risque d'endommager l'appareil.

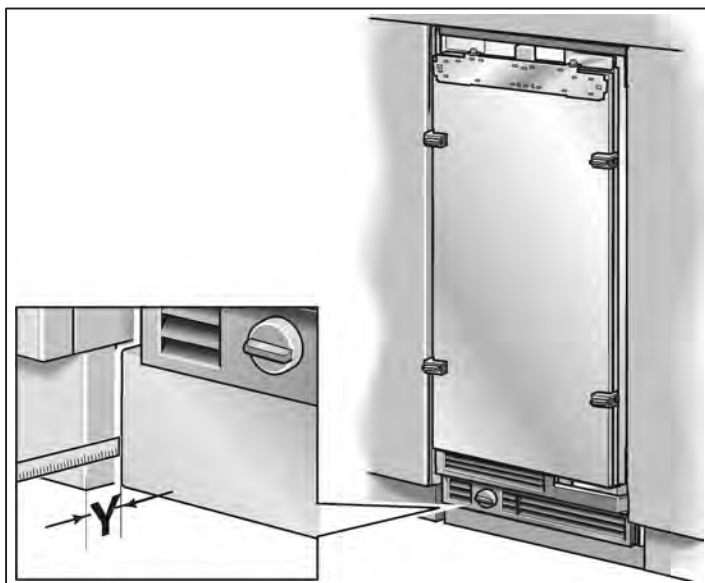
- ❑ Si nécessaire, réduisez le bandeau de socle à la longueur voulue.



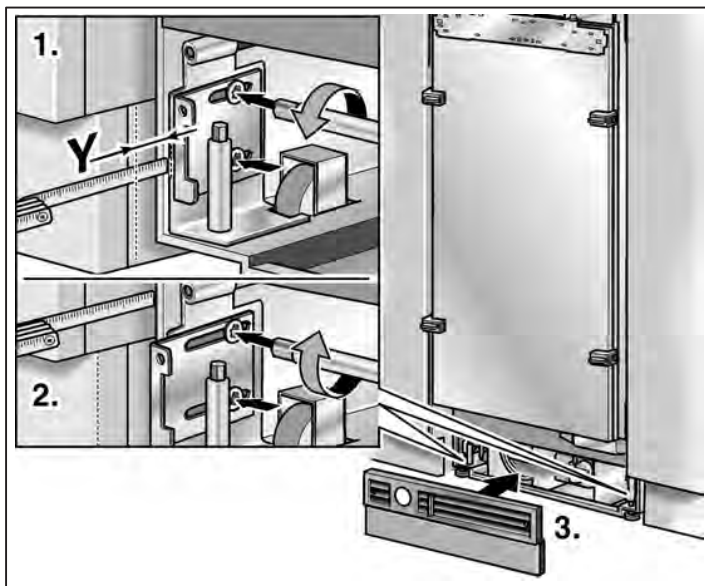
- ❑ Fixez le panneau de base contre l'appareil.



- ❑ Retirez la pellicule protectrice des pastilles adhésives sur la bande Velcro.

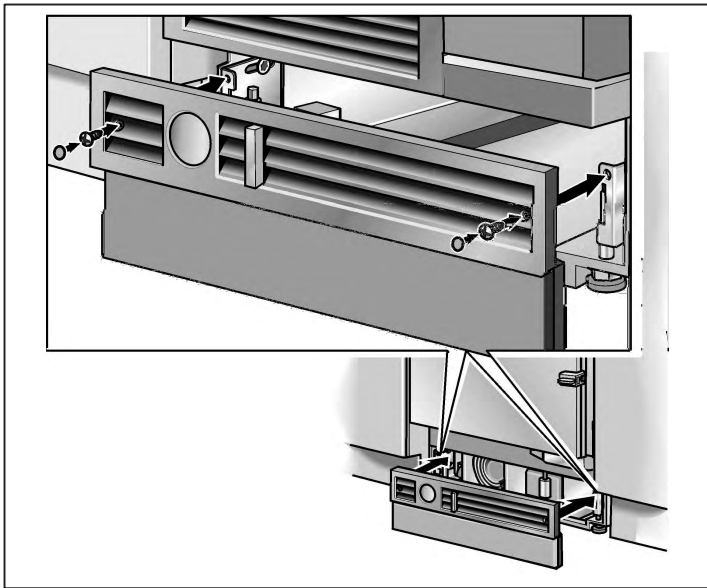


- ❑ Fixez le bandeau de socle contre le panneau de base puis appuyez fermement pour le mettre en place.
- ❑ Placez le panneau de base (sans visser) puis mesurez la différence de profondeur Y entre le panneau de base et le bandeau de socle sur le meuble adjacent.
- ❑ Retirez le panneau de base.
- ❑ Détachez les brides retenant le panneau de base et enfoncez complètement.



- ❑ Sortez les brides d'une distance égale à la profondeur Y mesurée.
- ❑ Serrez les brides fermement.





☐ Fixez le panneau de base.

**i** Si nécessaire, vous pouvez visser le bandeau de socle contre le panneau de base. Il y a des trous à vis dans le panneau de base, à proximité de la bande Velcro.

## 17. Mise en service de l'appareil

Pour garantir la précision des étapes de travail suivantes et donc de l'ensemble de la physionomie ultérieure de la façade de la cuisine, il faut mettre l'appareil en service maintenant.

- ☐ Ouvrez la porte de l'appareil.
- ☐ Appuyez sur le bouton POWER.

Seulement pour les appareils qui requièrent un raccordement à l'eau courante :

### ! REMARQUE !

Pour éviter tout risque de dégâts des eaux en cas d'endommagement de la conduite d'arrivée d'eau, le robinet d'obturation doit rester en position fermée.

## 18. Préparation des portes de meubles

### ! REMARQUE IMPORTANTE !

Lorsque vous effectuez tous travaux sur les portes des meubles, veuillez tenir compte de ceci :

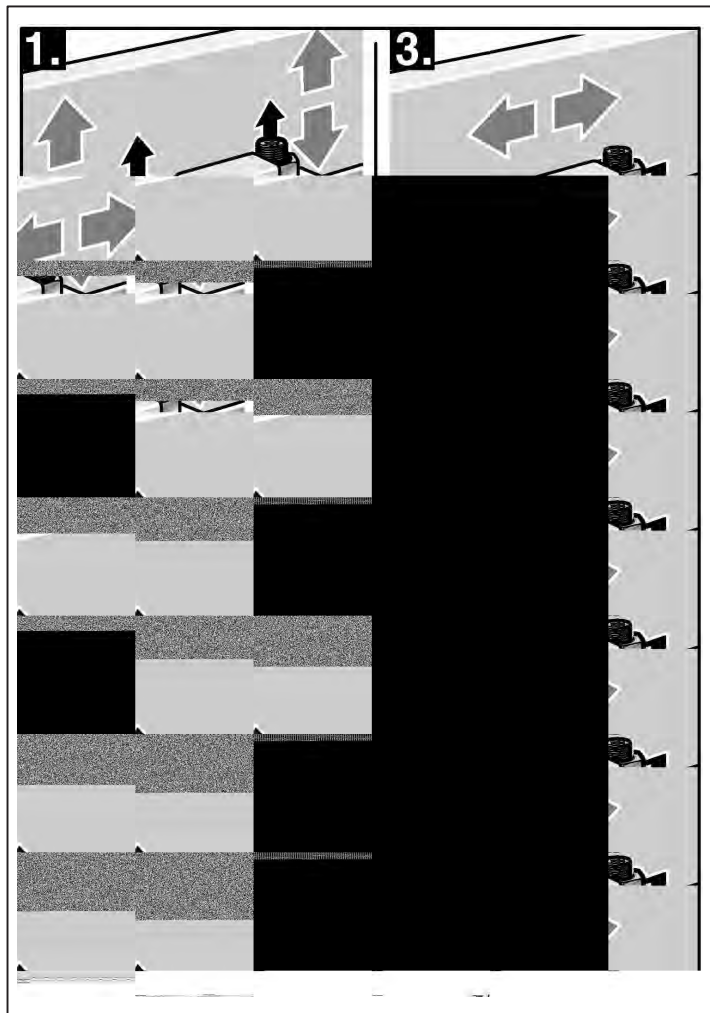
- Vissez toujours dans le matériau, constitutif de la porte, le mieux capable de supporter la charge.
- Sélectionnez toujours une longueur de vis inférieure à l'épaisseur de la façade du meuble.
- Ne vissez jamais dans les garnitures de remplissage, baguettes enjoliveuses ou assimilées.
- Pour prévenir les dégâts, protégez les surfaces du meuble pendant l'installation.

Le poids total de la façade de meuble ne doit pas dépasser les valeurs suivantes :

18"	37 lbs/17 kg
24"	50 lbs/23 kg
30"	64 lbs/29 kg

Les façades de meuble se fixent contre la porte de l'appareil au moyen des pièces d'ajustage sur l'appareil. Ces pièces d'ajustage permettent d'ajuster la porte du meuble avec précision et de la fixer de manière sûre contre l'appareil.

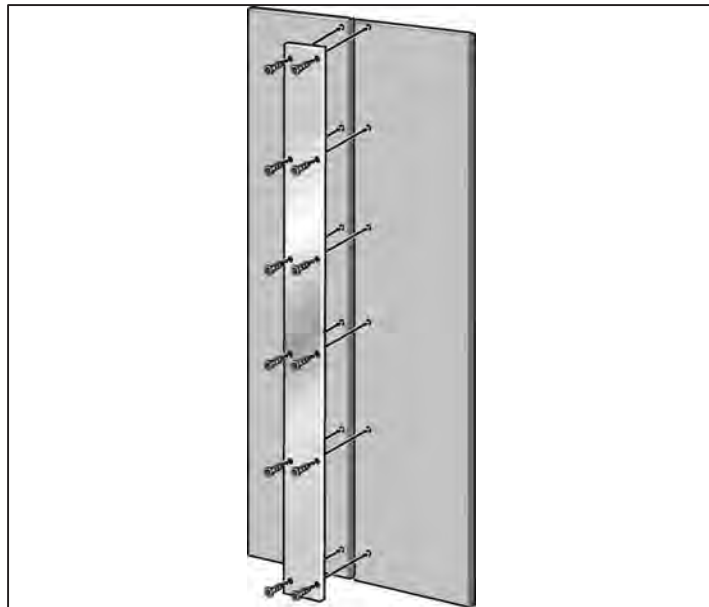
Fonction des différentes pièces :



1. Boulon double filetage contre le rail d'ajustage :  
il permet l'ajustage vertical de la porte du meuble.
2. Brides latérales :  
Elles servent à ajuster la profondeur de la façade du meuble.
3. Écrous sur le boulon double filetage :  
Ils servent à bloquer la façade du meuble et empêcher ainsi tout mouvement latéral.
4. Brides inférieures :  
Elles servent à bloquer la façade du meuble et empêcher un mouvement latéral.

Dans le cas des appareils faisant 30" et 36" de largeur, il est possible de fixer 2 portes de meuble adjacentes à la place d'une seule porte de grande largeur. Ces portes de meubles doivent être réunies l'une à l'autre par un bandeau métallique contre leur dos.

Ce bandeau est en vente auprès du service après-vente en tant qu'accessoire en option. Voir la section intitulée «Accessoires en option» à la page 58.



Lorsque vous fixez le bandeau métallique aux portes de meuble, respectez la longueur maximum possible des vis et la position des trous de perçage. Vissez toujours dans la partie du matériau de porte la mieux en mesure de supporter la charge.

Ne vissez jamais dans les garnitures de remplissage, baguettes enjoliveuses ou assimilées.

- i** Si vous ne voulez fixer qu'une porte de meuble à la porte d'un appareil faisant 30" ou 36" de largeur, fixez le panneau en sandwich, fourni, contre le rail d'ajustage et verrouillez en position.

## 19. Application d'une charge à la porte de l'appareil

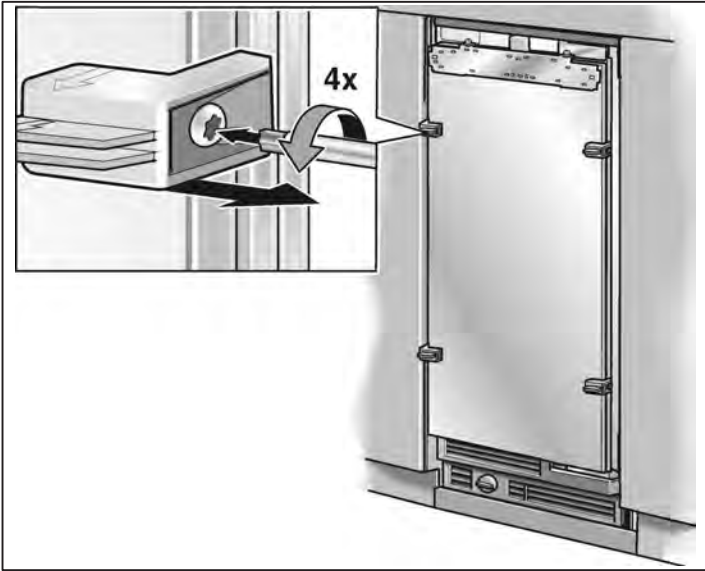
Pour parvenir à la plus haute précision possible des cotes interstitielles lors de la fixation des portes de meuble, nous recommandons de mettre des poids dans les casiers en contre-porte.

Recommandations :

Appareil de 18"	22 lbs/10 kg
Appareil de 24"	33 lbs/15 kg
Appareil de 30"	44 lbs/20 kg

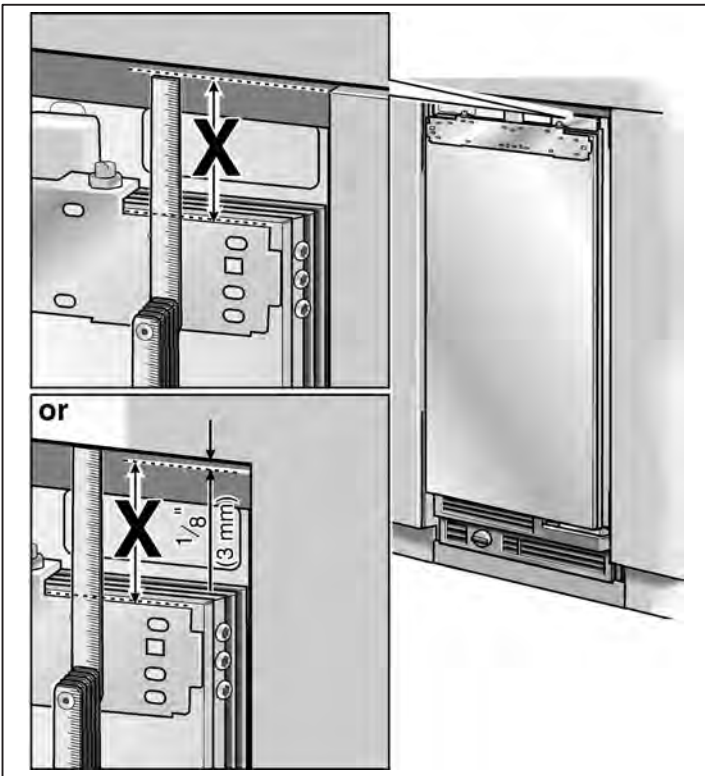
## 20. Fixation du rail d'ajustage contre la porte du meuble

**i** Le rail d'ajustage constitue le moyen le plus important pour ajuster la façade du meuble.

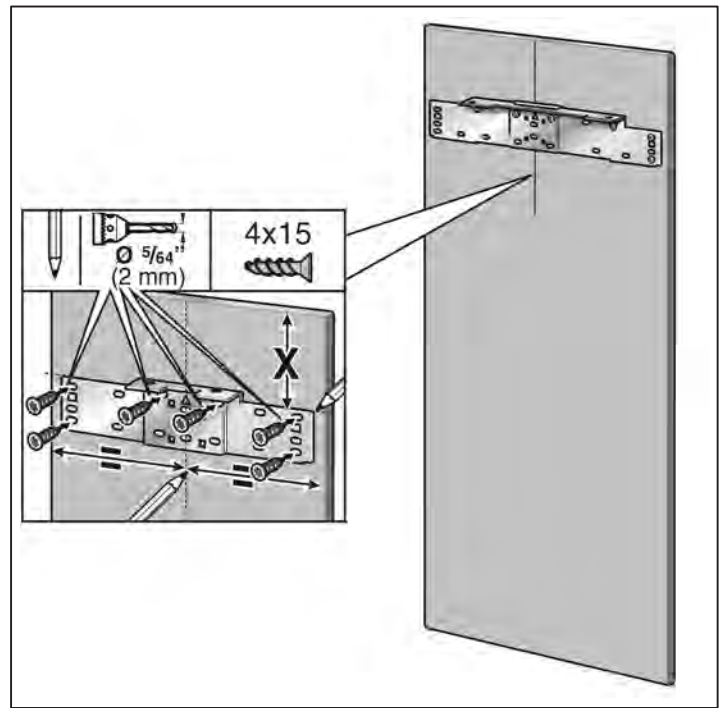


❑ De la porte de l'appareil, dévissez la pièce support d'installation.

**i** Conservez les accessoires d'aide au positionnement, vous en aurez encore besoin dans la suite du montage.



❑ Mesurez la distance X entre le rail d'ajustage et le meuble/les appareillages situés au-dessus.



❑ Marquez cette distance X au dos de la porte du meuble.

❑ Déterminez et marquez le centre de la porte du meuble.

❑ Desserrez les 2 écrous et retirez le rail d'ajustage.

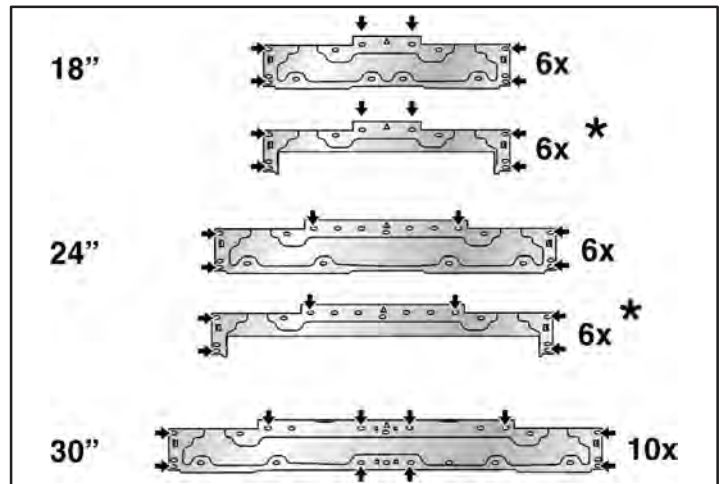
❑ Montez le rail d'ajustage et alignez le long des marquages. Marquez les emplacements des trous de perçage.

❑ Percez les trous.

❑ Vissez à fond le rail d'ajustage.

**i** Remarque:

– Vissez le rail d'ajustage contre la porte du meuble à l'aide d'au moins 6 vis. Il faudrait insérer chaque vis sous chaque boulon à double filetage.

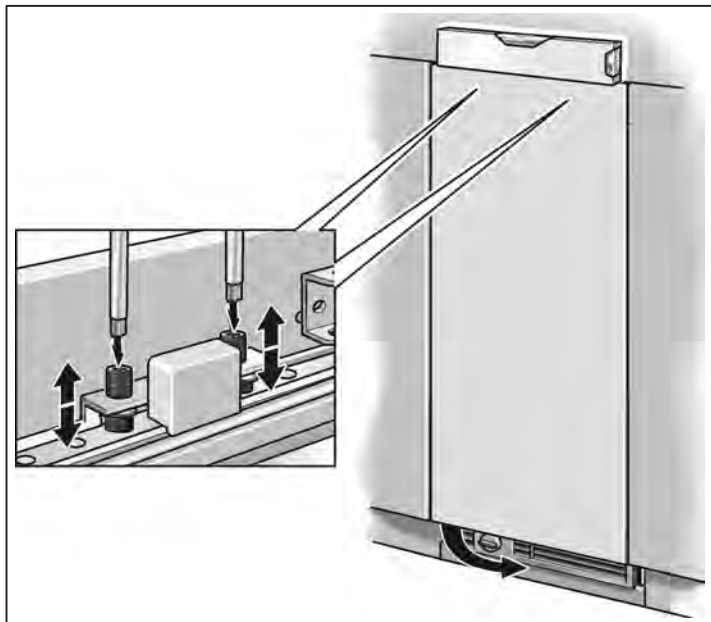


\* Cave à vin

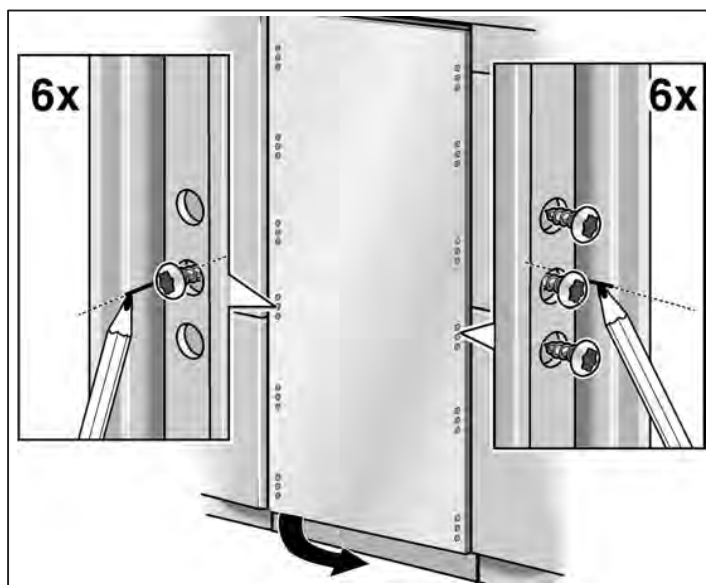
- Le rail d'ajustage comporte un ensemble de trous adaptés à différentes options de configuration des portes de meuble. Vissez toujours dans le matériau de la porte de meuble le mieux en mesure de supporter la charge.

## 21. Fixation et alignement de la porte de meuble

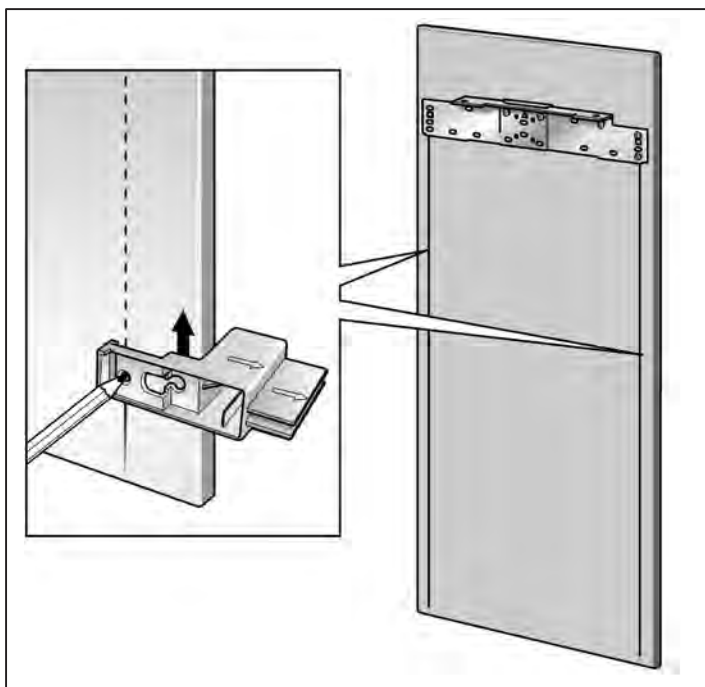
- i** Les boulons à double filetage sont chargés d'ajuster la façade du meuble en hauteur.
- Accrochez la porte du meuble contre le boulon à double filetage.



- Alignez la porte du meuble à l'aide des boulons à double filetage (tournevis Torx).

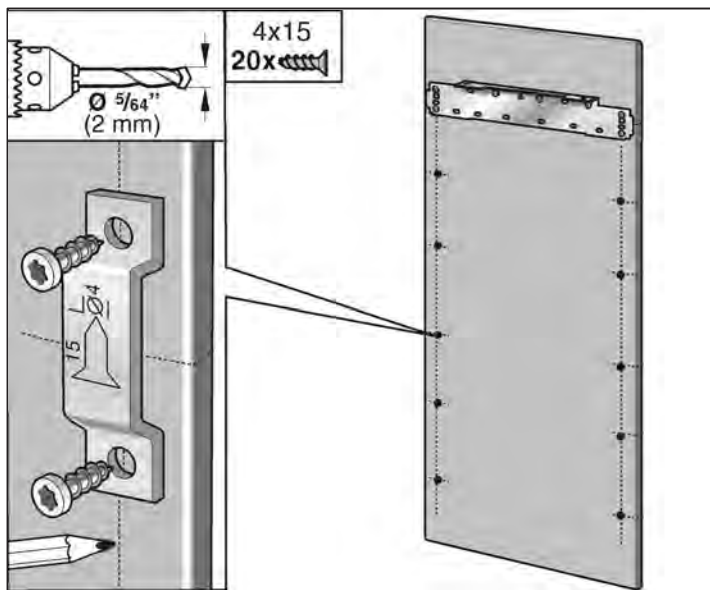


- Reportez les trous de perçage médians, situés le long du bord extérieur de la porte de l'appareil, contre la façade du meuble et marquez-les.
- Retirez la porte du meuble.



- A l'aide de l'accessoire d'aide au positionnement, tracez une ligne parallèle à chaque côté longitudinal de la porte du meuble.
- A l'aide d'une équerre, reliez les marquages (que vous venez d'effectuer) des trous de perçage avec les marquages verticaux.
- Marquez et percez les trous.



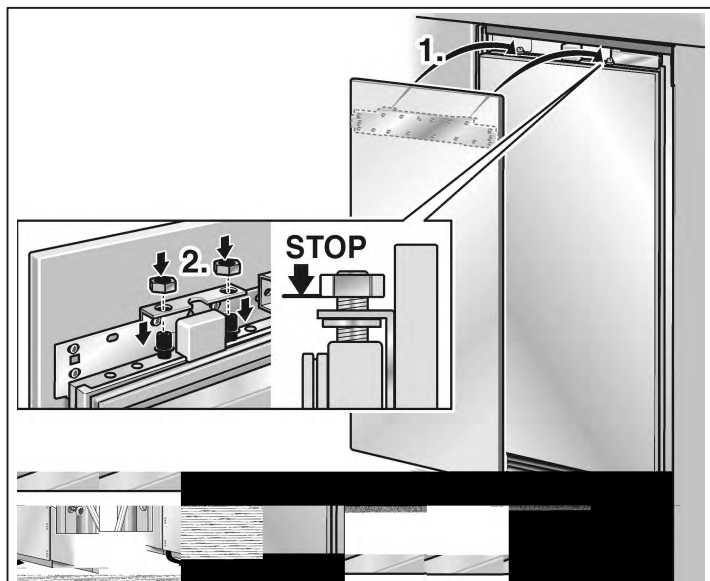


- ❑ Vissez les plaques de fixation (10x)

## 22. Fixation de la porte de meuble

### ! REMARQUE !

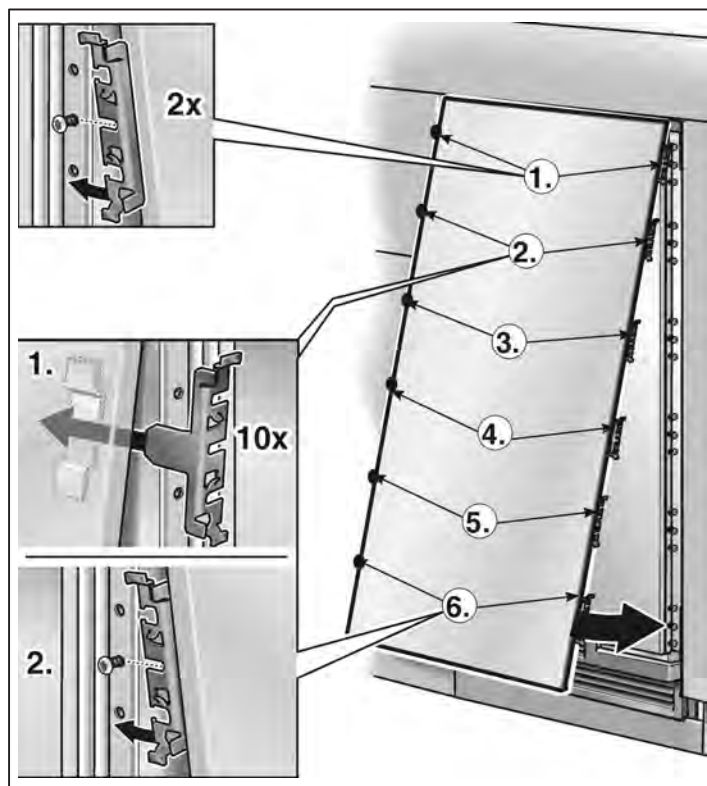
Maintenant, fixez les poignées du meuble.  
Elles se vissent par l'arrière !



- ❑ Accrochez la porte du meuble avec le rail d'ajustage par le biais des boulons à double filetage.
- ❑ Vissez un peu les écrous sur les boulons à double filetage. Ne serrez pas !
- ❑ Ajustez la porte du meuble avec précision.

Pour ce faire, insérez la bride directement derrière la poignée, dans la plaque de fixation associée. Faites glisser la bride sur la vis, sur la porte de l'appareil puis vissez. Après l'alignement, déposez à nouveau la cornière d'immobilisation !

- ❑ Alignez la porte du meuble et contrôlez ce faisant la constance de l'interstice sur tout le périmètre. Si nécessaire, déplacez le rail d'ajustage vers la gauche ou la droite.

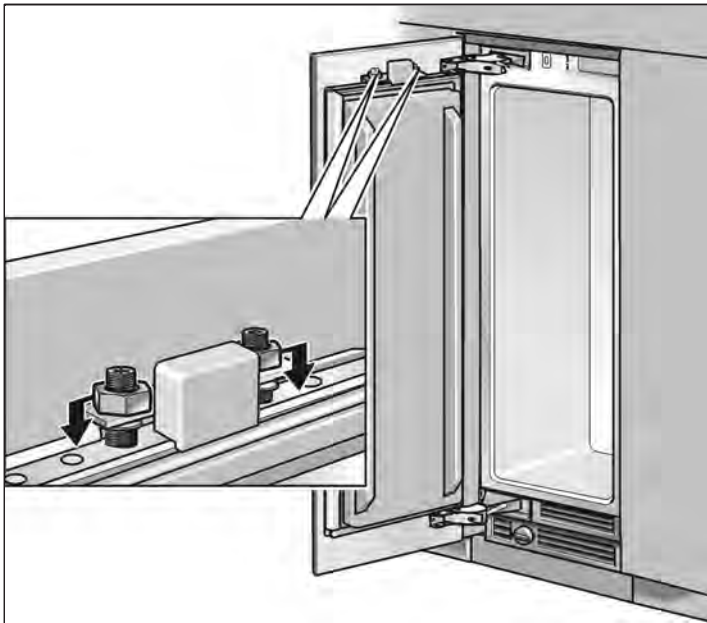


- ❑ Fixez la bride :
  - Soulevez légèrement la porte du meuble pour l'éloigner de la porte de l'appareil.
  - Poussez la bride latérale (①.) sur la gauche et la droite pour qu'elle arrive au dessus des vis.
  - Insérez la bride latérale (②.) sur la gauche et la droite dans la plaque de fixation et faites-la glisser sur la vis.  
Abaissez doucement la porte.

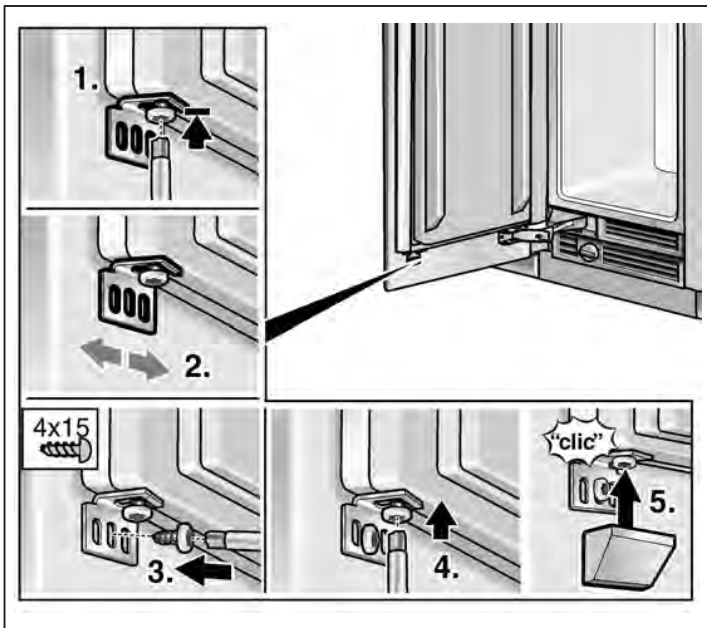
Poursuivez cette opération jusqu'à ce que les dernières brides latérales (⑥.) aient été insérées dans les plaques de fixation et positionnées sur les vis.

- i** Les deux brides supérieures (①. – sur les côtés gauche et droit) ne présentent pas de pièce latérale permettant l'insertion dans les plaques de fixation.
- ❑ Fermez la porte et vérifiez que la profondeur de la façade de meuble est alignée sur les façades adjacentes. Corrigez si nécessaire.
- ❑ Serrez les vis des brides pour figer la profondeur d'alignement.



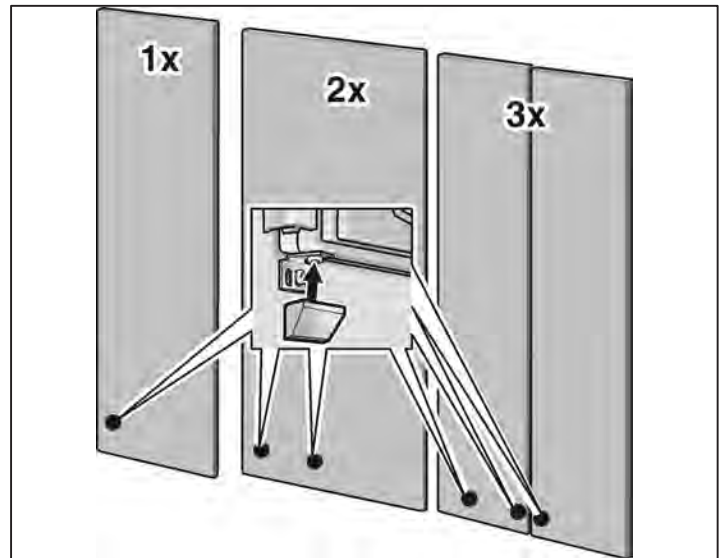


- ❑ Refermez la porte et vérifiez l'alignement latéral. Corrigez en tapant légèrement avec la main sur le bord de la porte ouverte du meuble.
- ❑ Serrez les écrous sur le rail d'ajustage. Cette action fige l'alignement latéral de la porte.



- ❑ Vissez les brides inférieures (elles se trouvent dans le kit d'accompagnement). Percez des trous préparatoires dans la porte du meuble !  
La bride inférieure fige la position latérale de la porte.

1. Desserrez la vis.
2. Vérifiez la position latérale de la porte.
3. Vissez la vis à bois.
4. Serrez la vis.
5. Fixez le couvercle sur les brides.



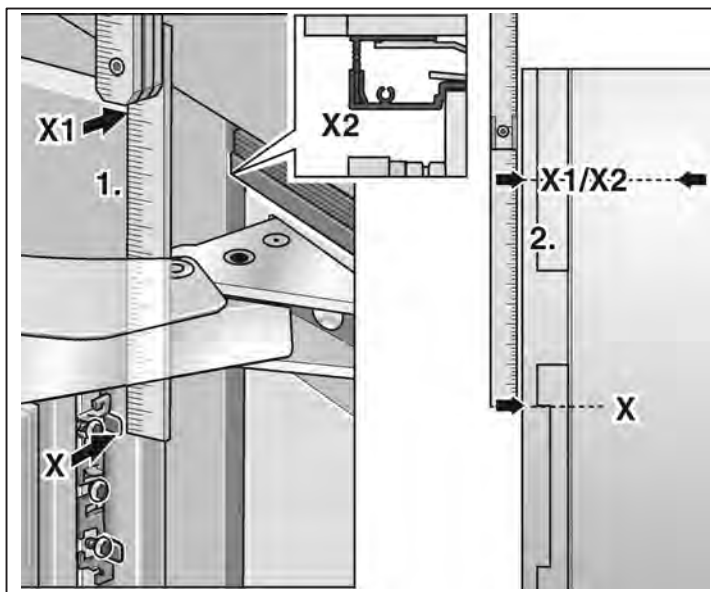
- i** Le nombre de brides inférieures dépend de la largeur et de la conception de la porte du meuble.

## 23. Raccourcir le bandeau protège-doigts

**! REMARQUE IMPORTANTE !**

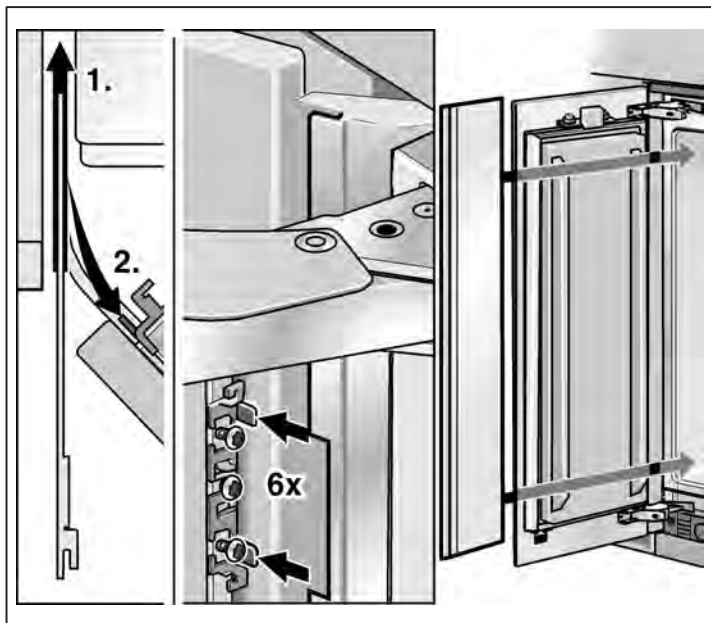
Le bandeau protège-doigts doit recouvrir toute la hauteur de la porte. En présence de portes qui dépassent la hauteur standard, utilisez le bandeau protège-doigts extra-long (voir "Accessoires en option").

- ❑ Présentez le bandeau protège-doigts latéralement contre la porte ouverte.
- i** Les évidements que comporte le bandeau protège-doigts doivent se trouver exactement à hauteur des pièces de fixation (brides) !

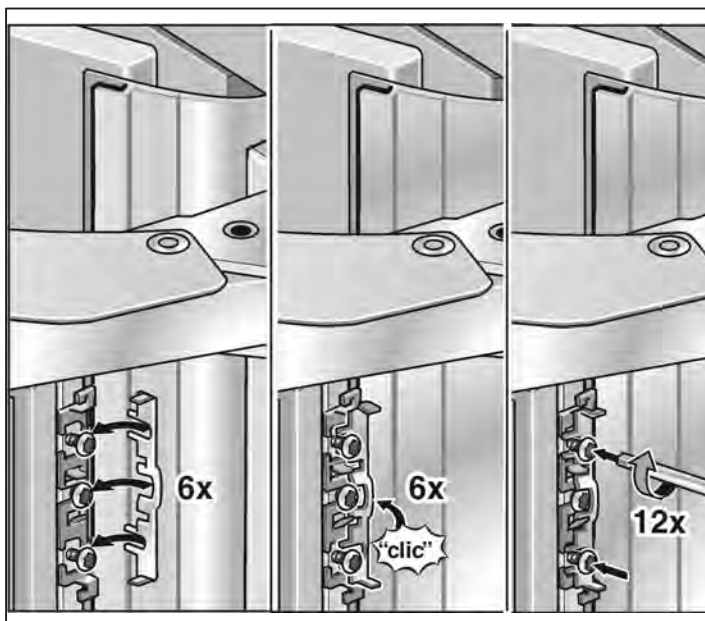


- ❑ Reportez les cotes de la porte contre le bandeau protège-doigts.
- ❑ A l'aide d'un couteau et d'une règle en acier, raccourcissez le bandeau protège-doigts jusqu'à la longueur requise.

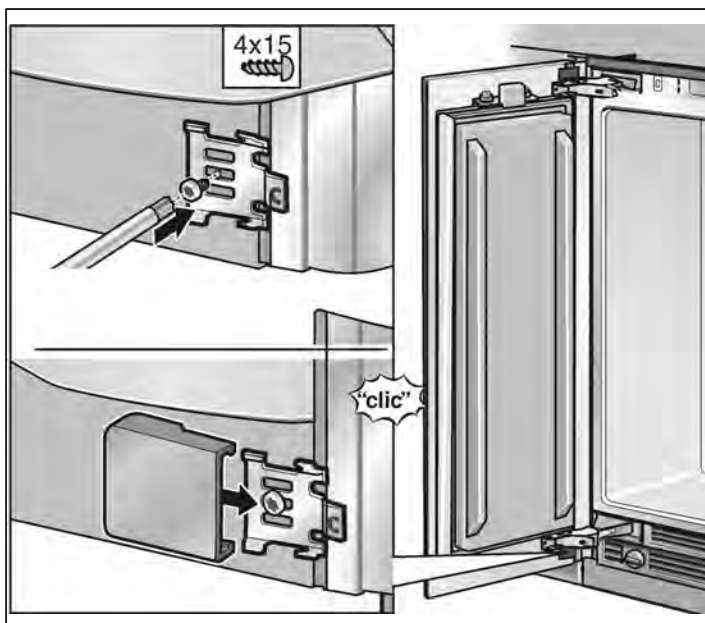
## 24. Fixation du bandeau protège-doigts



- ❑ Insérez le bandeau protège-doigts dans l'interstice entre l'appareil et le meuble adjacent (1.).
- ❑ Bridez le bandeau protège-doigts sous les brides (2.).

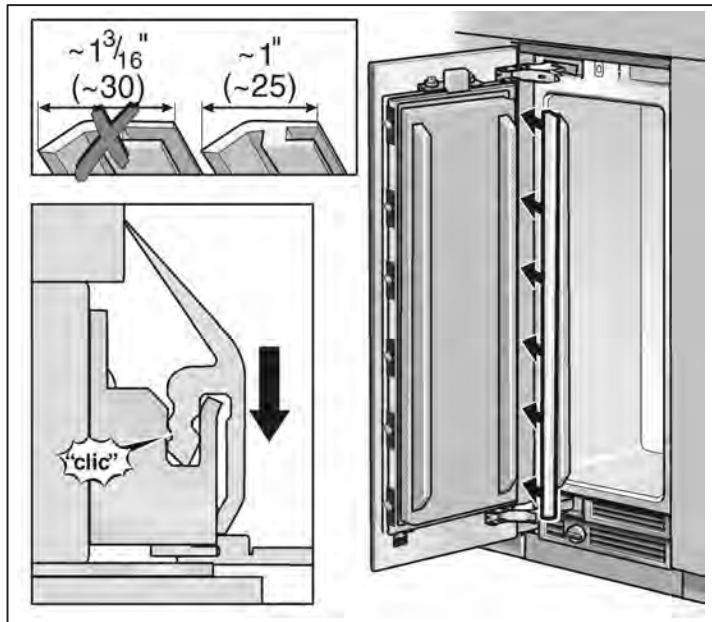


- ❑ Poussez la coiffe sur la bride et vissez à fond.



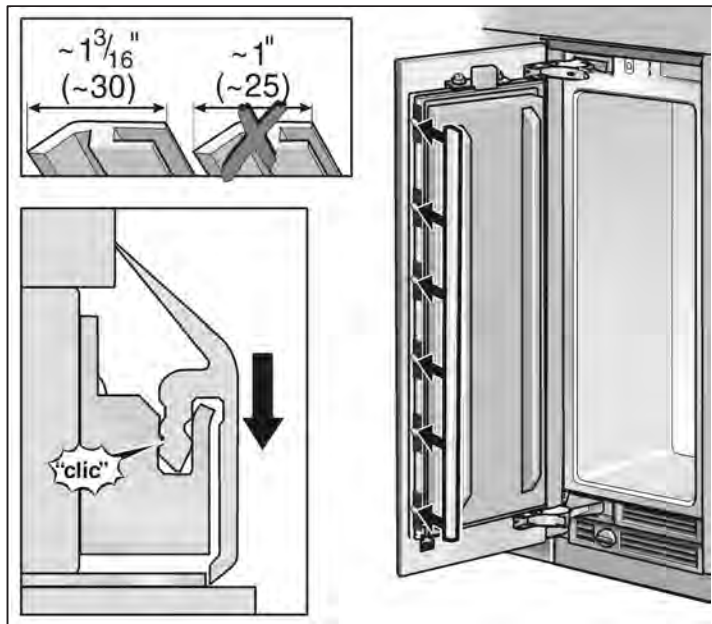
- ❑ Fixez le bandeau protège-doigts sous la charnière inférieure présentant l'angle. Faites glisser le couvercle sur l'angle.

## 25. Fixation des couvercles

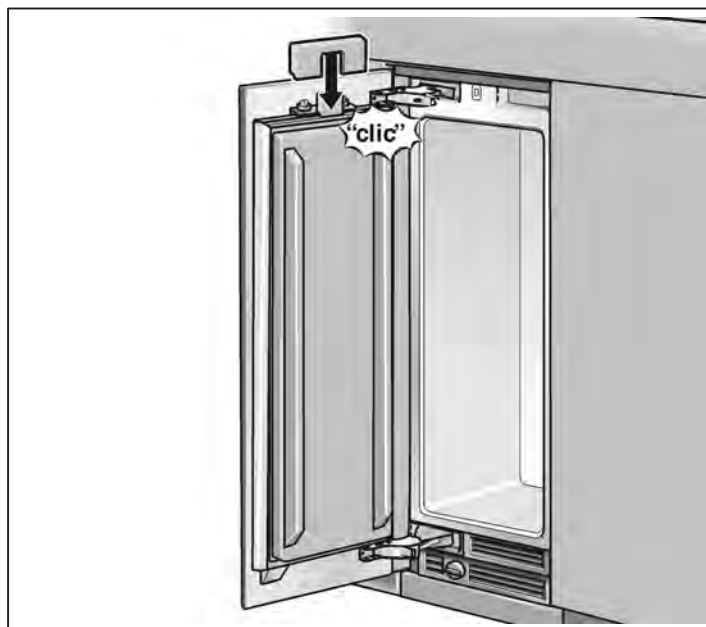


□ Placez la bande couvercle verticale sur le bandeau protège-doigts.

**i** La pièce latérale de la bande couvercle est plus courte sur le côté sur lequel le bandeau protège-doigts a été fixé.



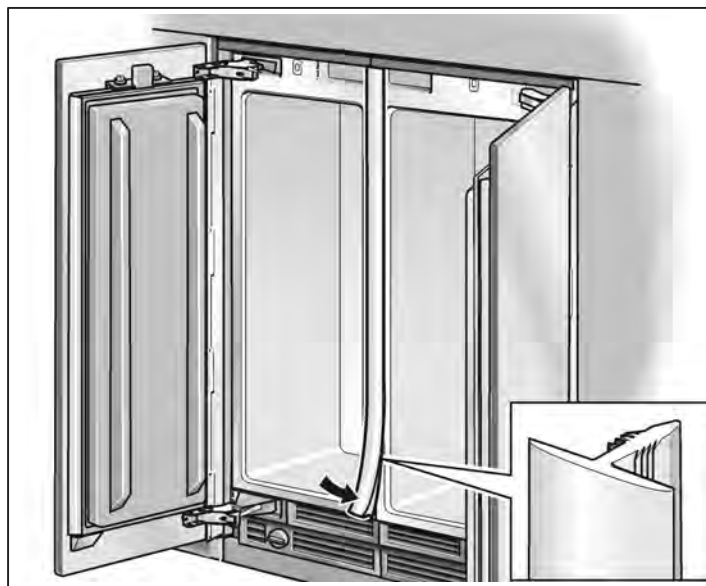
□ Placez les bandes couvercles contre la porte.



□ Fixez le couvercle de l'interrupteur d'éclairage.

**i** Vous pouvez visser le couvercle destiné aux appareils de 24", 30" et 36" contre la porte.

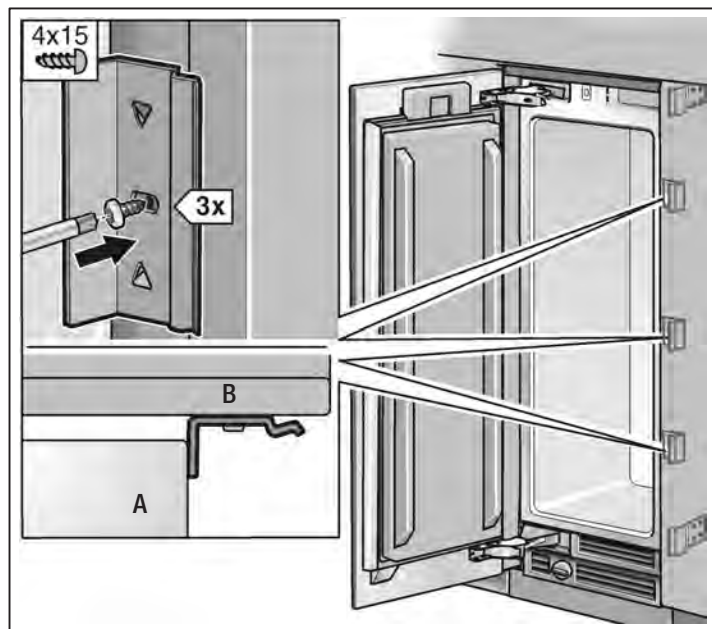
**Installation côte à côte uniquement:**



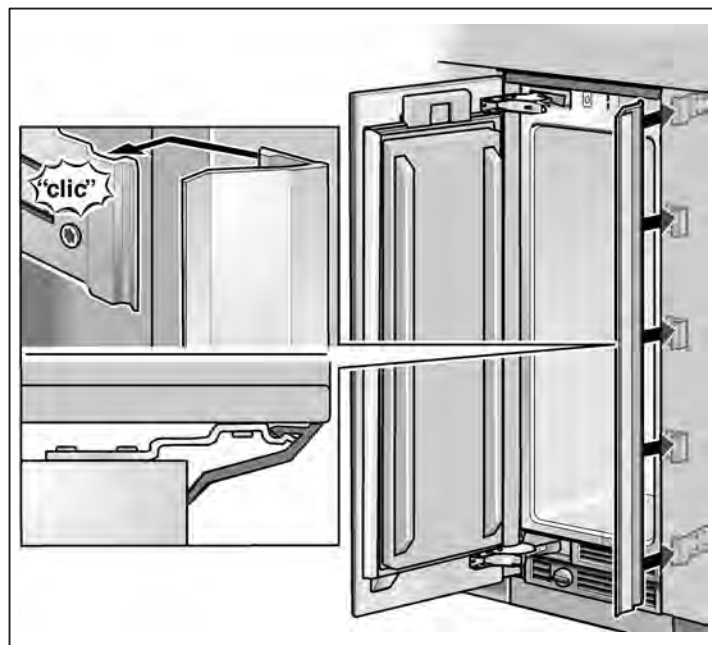
□ Insérez la bande couvercle dans l'interstice situé entre les appareils.



Appareils individuels uniquement:



- A Appareil
- B Meuble
- Vissez les brides (latéralement) destinées à retenir la bande couvercle.

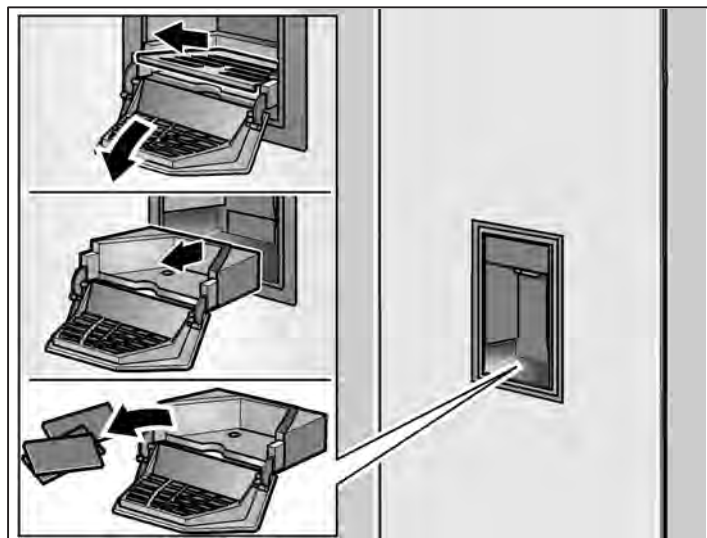


- Insérez la bande couvercle dans l'espace entre l'appareil et le panneau en bois.

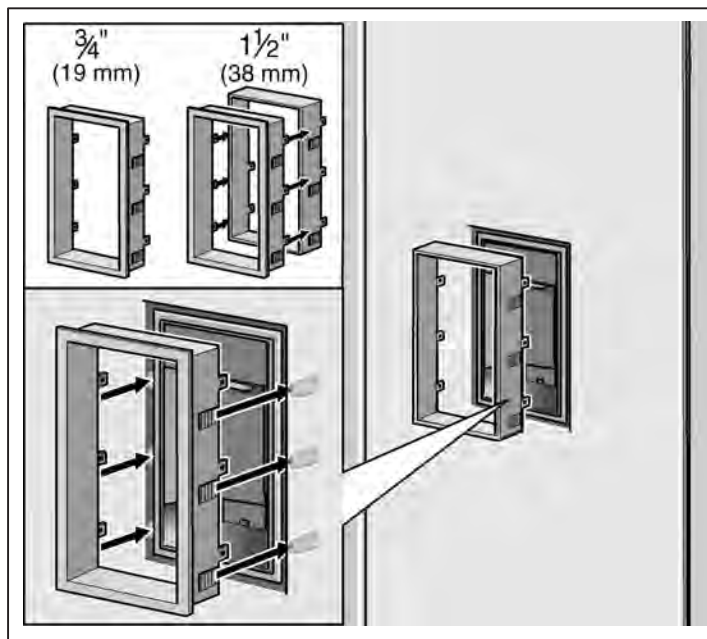
## 26. Alignement du distributeur de glaçons et d'eau

(seulement pour unité de congélation avec distributeur de glaçons et d'eau)

Il est possible d'aligner en profondeur le distributeur de glaçons et d'eau dans la découpe ménagée dans la porte du meuble. Ceci permet d'ajuster le parallélisme avec cette porte et de conférer une physionomie optimale à l'ensemble.



- Retirez la tablette.
- i** Nous vous suggérons de fixer le cadre avant d'ajuster le distributeur.

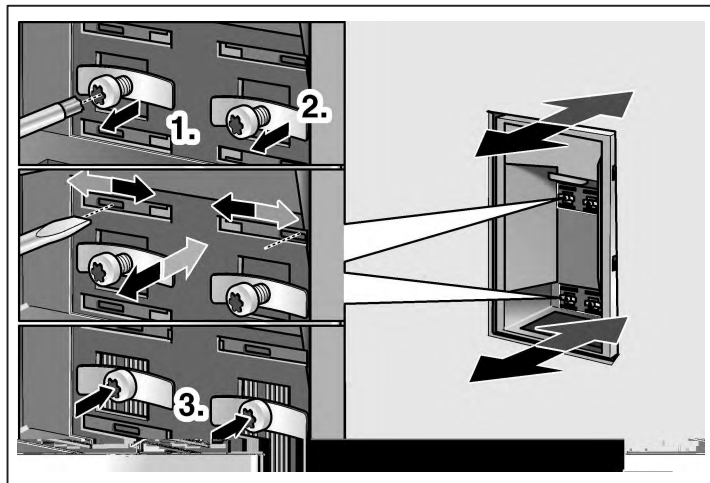


Portes de meuble faisant  $\frac{3}{4}$ " / 19 mm d'épaisseur:

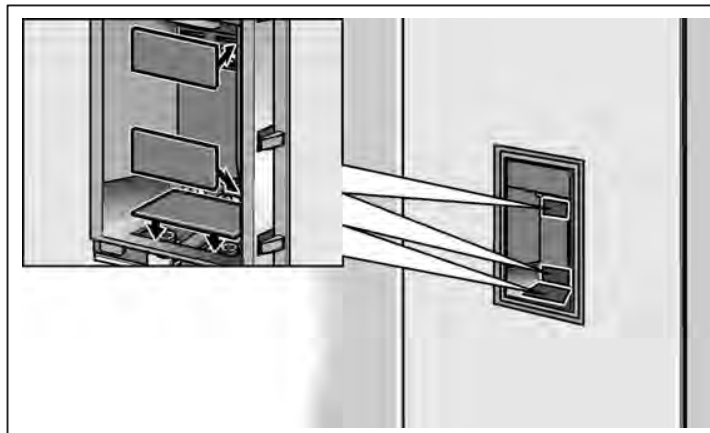
- Enfoncez le cadre enjoliveur sur le distributeur de glaçons et d'eau jusqu'à ce que le cadre affleure avec la surface de la porte.

Portes de meuble faisant 1 1/2" / 38 mm d'épaisseur:

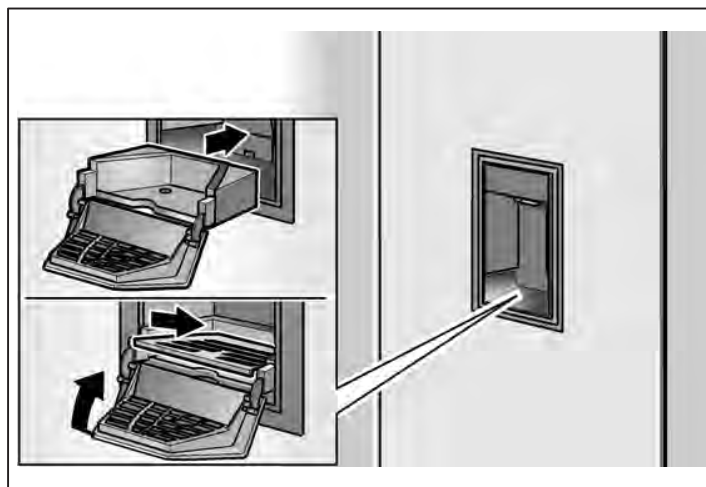
- ❑ Enfoncez le cadre rallonge sur le cadre enjoliveur.
- ❑ Poussez le cadre enjoliveur sur le distributeur de glaçons et d'eau et enfoncez-le jusqu'à que le cadre affleure avec la surface de la porte.



1. Desserrez les vis des 4 agrafes.
2. Introduisez un tournevis pour vis à fente dans l'une des 4 ouïes et déplacez les latéralement de sorte que le distributeur de glaçons et d'eau se trouve à une distance uniforme par rapport à la porte du meuble.
3. Revissez les vis situées contre les agrafes.



- ❑ Reposez les couvercles.

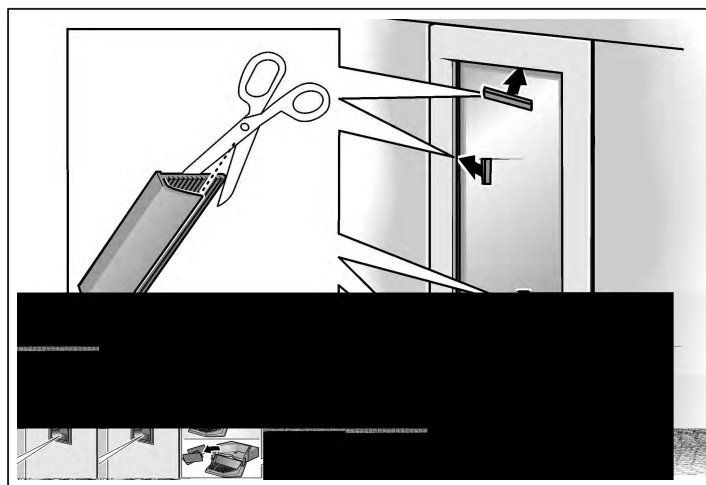


- ❑ Mettez la tablette en place.

## 27. Fixation des baguettes couvre-joint

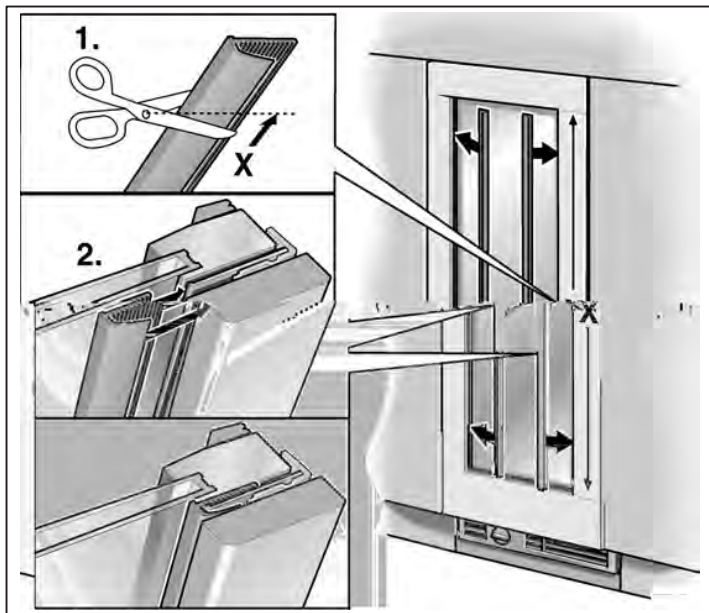
(seulement pour la cave à vin)

Remarque :

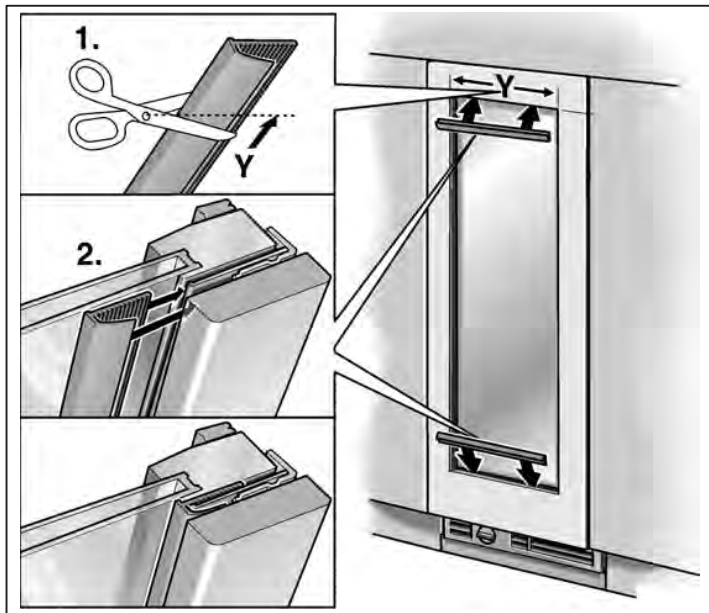


Si le cadre présente une largeur réduite, il faudra selon les circonstances raccourcir le segment de la baguette couvre-joint. Pour déterminer la longueur requise du segment, des échantillons de baguette ont été livrés d'origine.





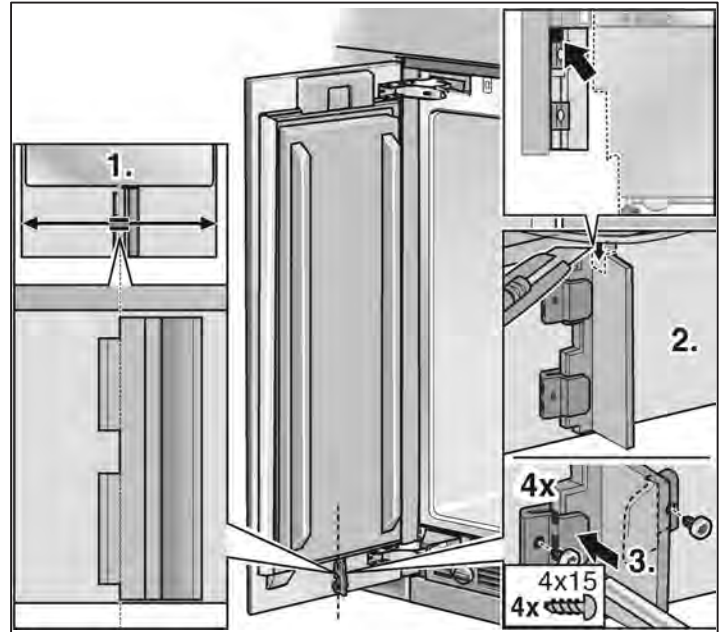
- ❑ Sur les côtés longitudinaux, enfoncez les baguettes couvre-joint dans l'espace intermédiaire entre la porte du meuble et le bandeau en verre.
- ❑ Découpez les côtés courts des baguettes couvre-joint à la longueur requise.



- ❑ Enfoncez les baguettes couvre-joint dans la cavité située entre la porte du meuble et le bandeau en verre

## 28. Montage du séparateur d'air

Vissez le séparateur d'air contre la porte du meuble afin de séparer l'air entrant et l'air sortant.



- ❑ Raccourcissez le séparateur d'air à la longueur requise.
- ❑ Fixez le séparateur d'air au moyen de 2 brides.  
Comme l'indique l'illustration, alignez le séparateur d'air sur la ligne médiane de la porte.
- ❑ Fermez la porte lentement. Contrôlez si le séparateur d'air entre en collision avec des pièces de la grille d'aération. Si nécessaire, raccourcissez de  $\frac{1}{4}$ " / 6 mm le côté longitudinal du séparateur d'air.

### Appareils équipés d'un distributeur de glaçons :

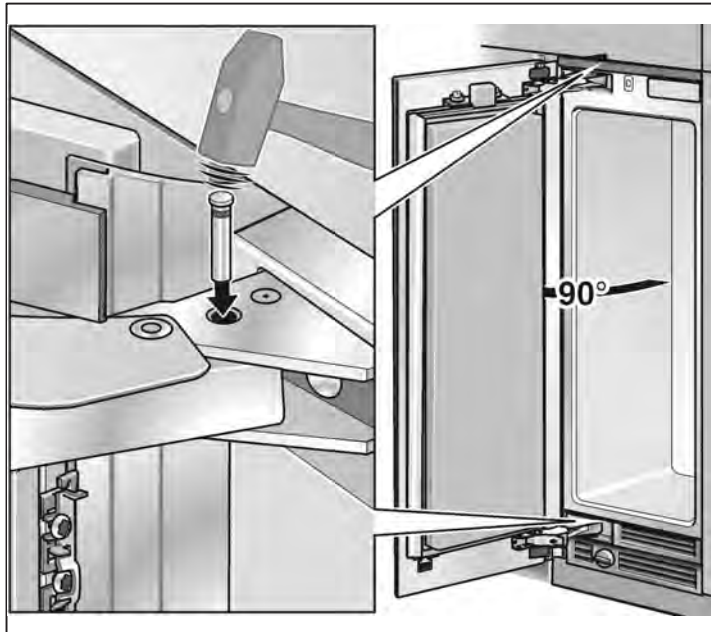
- ❑ Il faut découper le séparateur d'air dans la zone du flexible.

## 29. Ajustage de l'angle d'ouverture de porte

Suivant les conditions d'installation, il pourra être nécessaire d'ajuster l'angle d'ouverture de la porte. Un angle d'ouverture de 115° a été ajusté en usine.

Pour conférer à la porte un angle d'ouverture de 90° :

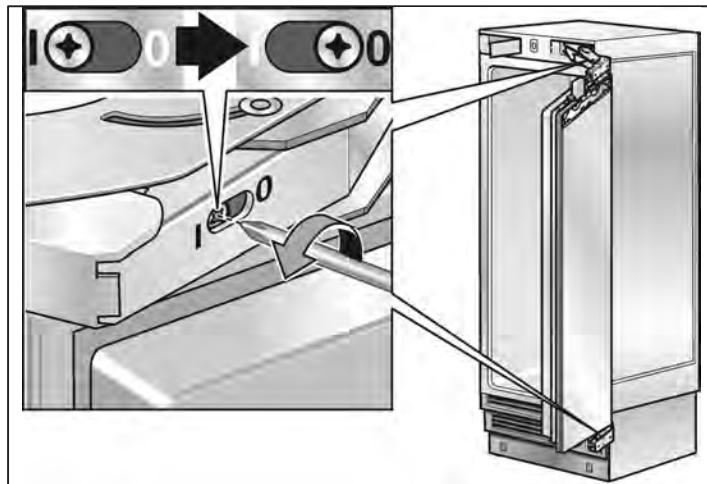
- ❑ Ouvrez la porte à 90°.



- ❑ Introduisez la tige de limitation à travers les deux alésages superposés puis enfoncez-la à l'aide d'un marteau.

## 30. Changement du ressort de porte

Pour ajuster le ressort de porte :



- ❑ A l'aide d'un tournevis à empreinte cruciforme, tournez la vis d'ajustage

I = Plus forte tension possible du ressort

0 = Pas de tension ressort

# Índice

<b>Antes de comenzar</b> .....	<b>85</b>
Definiciones .....	85
Información importante .....	85
<b>Opciones de instalación</b> .....	<b>86</b>
Unidad individual .....	86
Side-by-Side (Lado a lado) .....	86
Electrodomésticos individuales con separación .....	86
En el final de las unidades de cocina .....	86
<b>Emplazamiento de la instalación</b> .....	<b>87</b>
Ambiente de emplazamiento .....	87
Cavidad de instalación .....	87
Muebles y adornos .....	87
Base .....	87
<b>Conexión a la red de alimentación</b> .....	<b>88</b>
Procedimiento de puesta a tierra adicional .....	88
Instrucciones de conexión a tierra .....	88
<b>Conexión del agua</b> .....	<b>88</b>
<b>Medidas de instalación</b> .....	<b>89</b>
Instalación simple .....	89
Instalación Side-by-Side (Lado a lado) .....	90
Conexión del agua .....	91
<b>Medidas del electrodoméstico</b> .....	<b>92</b>
1. Electrodoméstico de 18" (Congelador/Congelador con dispensador de agua) .....	92
2. Electrodoméstico de 18" (Conservador de vinos) .....	93
3. Electrodoméstico de 24" (Refrigerador/Congelador/Congelador con dispensador de agua) .....	94
4. Electrodoméstico de 24" (Conservador de vinos) .....	95
5. Electrodoméstico de 30" (Refrigerador/Congelador/Congelador con dispensador de agua) .....	96
<b>Accesorios y herramientas necesarias</b> .....	<b>97</b>
1. Accesorios que forman parte del volumen de entrega .....	97
2. Accesorios opcionales .....	97
3. Otros accesorios necesarios para salidas especiales .....	97
4. Herramientas .....	97
5. Otros .....	97

<b>Instrucciones de instalación</b> .....	<b>98</b>
1. Control de la cavidad para la instalación .....	98
2.. Transporte del equipo .....	98
3. Desembalaje .....	99
4. Preparación del electrodoméstico .....	99
5. Cambiando las bisagras .....	100
6. Preparación de la cavidad de instalación .....	102
7. Montaje de un dispositivo antivuelco adicional .....	103
8. Preparación para conectar el agua .....	104
9. Protección de los bordes .....	105
10. Instalación Side-by-Side (Lado a lado) .....	105
11. Colocando el electrodoméstico en la cavidad de instalación .....	105
12. Instalación y alineación del electrodoméstico .....	106
13. Sujetando el electrodoméstico a la parte superior de la cavidad .....	107
14. Sujeción del electrodoméstico individual en los laterales de la cavidad .....	108
15. Conexión del agua al electrodoméstico .....	108
16. Sujeción del panel de protección .....	109
17. Puesta en marcha del equipo .....	110
18. Preparación de las puertas del mueble .....	110
19. Carga admisible en la puerta del electrodoméstico .....	111
20. Montaje del riel de ajuste en la puerta del mueble .....	112
21. Sujeción y alineación de la puerta del mueble .....	113
22. Sujeción de la puerta del mueble .....	114
23. Corte de la protección para los dedos .....	115
24. Montaje de la protección para los dedos .....	116
25. Montaje de las cubiertas .....	117
26. Orientación del dispensador de hielo y agua .....	118
27. Colocación del listón de cobertura .....	119
28. Colocación del cuadro de cobertura y del depósito .....	119
29. Montaje del separador de aire .....	120
30. Ajuste del ángulo de apertura de la puerta .....	120
31. Cambio del muelle de la puerta .....	121

# Antes de comenzar

## Lea estas instrucciones completamente y con detenimiento.

### **IMPORTANTE**

Guarde estas instrucciones para el uso del inspector local. Tenga en cuenta todas las disposiciones y ordenanzas gubernamentales.

**Nota para instalador**—Asegúrese de dejar estas instrucciones al usuario.

**Nota para el usuario**—Guarde estas instrucciones con su manual para el propietario.

### **ADVERTENCIA**

Este electrodoméstico debe conectarse correctamente a tierra. Consulte la sección "Conexión de la alimentación" en página 88.

### **ADVERTENCIA**



La parte superior de este electrodoméstico es más pesada que la de abajo, por lo que se lo debe asegurar a fin de evitar que vuelque hacia delante. Se requiere de una protección antivuelco.

Mantenga las puertas cerradas hasta que el electrodoméstico esté completamente instalado y asegurado según las instrucciones de instalación.

Debido al peso y las dimensiones del electrodoméstico y a fin de reducir el riesgo de lesiones personales o de daños al producto – SE REQUIERE DE DOS PERSONAS PARA UNA INSTALACIÓN ADECUADA.

### **CUIDADO**

Una instalación adecuada de este electrodoméstico requiere de conocimientos específicos básicos en mecánica, carpintería y fontanería. Fallos en el producto debido a una instalación inadecuada no están cubiertos por la garantía. Consulte el manual del usuario por la información concerniente a la garantía.

### **ADVERTENCIA**

Utilice el electrodoméstico exclusivamente para lo que ha sido previsto.

Repáre o cambie inmediatamente los cables eléctricos si están gastados o dañados.

Desenchufe el electrodoméstico o desactive el fusible antes de limpiar o efectuar reparaciones.

Las reparaciones debe efectuarlas un técnico calificado.

Estas instrucciones de instalación se entienden para se usadas por instaladores calificados. Todas las conexiones de agua, alimentación eléctricas y conexión a tierra, deben cumplir con las prescripciones y ordenanzas locales y deben ser realizadas por personal con las licencias correspondientes si así se lo requiere. En ausencia de prescripciones locales:

- en los E.E.U.U., de acuerdo con el National Electric Code, ANSI/NFPA70 – última edición/prescripciones municipales y/o locales.
- En Canadá, de acuerdo con el Canadian Electric Code C22.1 – última edición prescripciones municipales y/o locales.

## Definiciones



### **ADVERTENCIA**



**ADVERTENCIA** – indica que existe peligro de lesiones graves y aún de muerte, que pueden ocurrir como resultado de la inobservancia de esta advertencia.



### **CUIDADO**



**CUIDADO** – indica que pueden producirse lesiones menores o daños que pueden ocurrir como resultado de la inobservancia de esta advertencia.



Este símbolo se utiliza para llamar la atención del usuario respecto de algo en particular.

## Información importante

No se puede enfatizar suficientemente la importancia de cumplir con todas las disposiciones e instrucciones contenidas en este manual. La instalación debe realizarla un instalador calificado.

Antes de comenzar con la instalación, lea este manual completamente. Contiene detalles importantes, que el instalador debe observar. Siempre que se haya leído prolijamente, la instalación será simple, sin problemas y ante todo, segura.

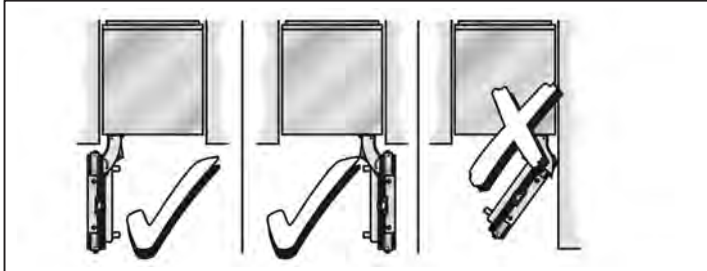


# Opciones de instalación

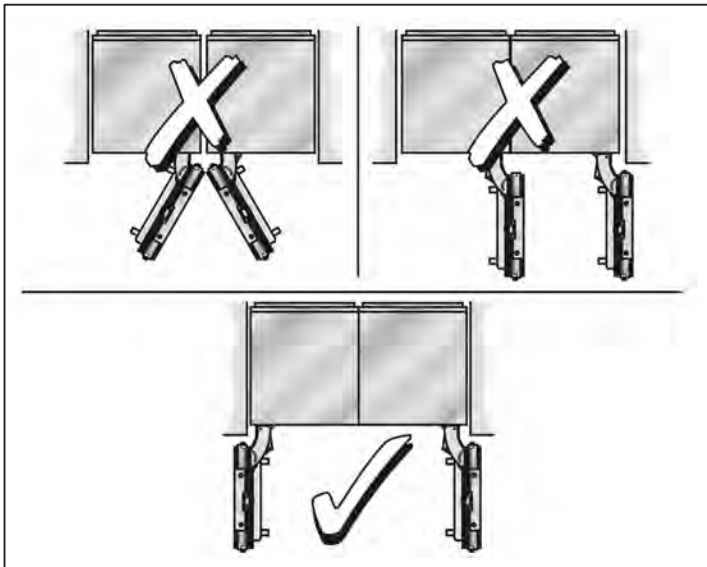
Existen diversas opciones de instalación.

Están limitadas exclusivamente por el diseño de la cocina y la función de la protección para los dedos.

## Unidad individual



## Side-by-Side (Lado a lado)

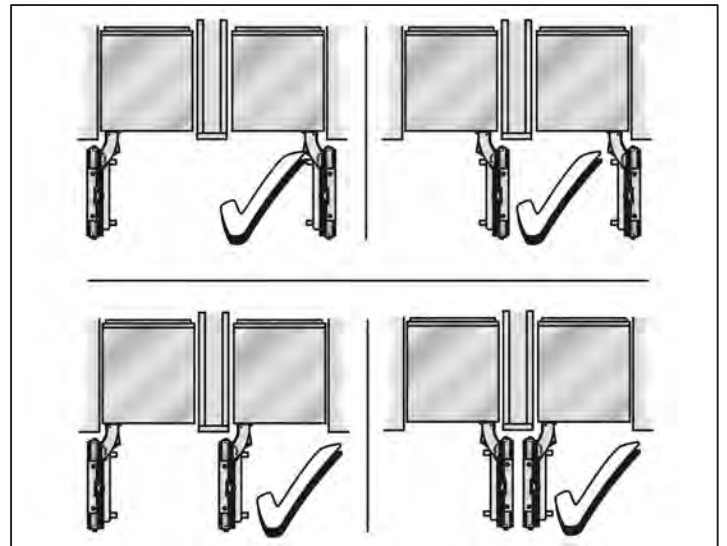


\* ¡Separación requerida!

**i** Si instala 2 electrodomésticos lado a lado, debe utilizar un juego **Basic Combination Side-by-Side Sealing kit** (combinación básico y sellado lado a lado) a fin de asegurar una unión estable.

Vea la sección de «Accesorios opcionales» en página 97.

## Electrodomésticos individuales con separación



### **i** Nota

- Si dimensiona los espacios para el modelo 4, tenga en cuenta el espesor de los paneles frontales de los muebles, a fin de evitar daños si se abren las dos puertas simultáneamente.
- Utilice el **Extreme Combination Heating kit** (combinación y calentamiento) si el espacio entre los dos electrodomésticos es menor que 6" (160 mm),. Consulte la sección «Accesorios opcionales» en página 97.
- La separación mínima debe ser de  $\frac{5}{8}$ " (16 mm). En el final de las unidades de cocina

Si uno de los lados del electrodoméstico está a la vista, debe colocarse un panel lateral.

El panel lateral debe sujetarse firmemente en la pared, el piso y el mueble o adorno superpuesto antes de colocar el electrodoméstico en la cavidad.

Las dimensiones del panel lateral, deben tomarse en la pared opuesta de la cavidad. Controle durante la instalación que la cavidad esté a escuadra y que tenga las dimensiones adecuadas.

# Emplazamiento de la instalación



## ADVERTENCIA



No instale el electrodoméstico:

- a la intemperie,
- en un ambiente donde gotee agua,
- en ambientes donde existe peligro de heladas.

El electrodoméstico es muy pesado. Por los pesos del equipo vacío, consulte la tabla siguiente:

Refrigerador de 24"	aprox. 310 lbs/140 kg
Refrigerador de 30"	aprox. 350 lbs/158 kg
Congelador de 18"	aprox. 255 lbs/115 kg*
Congelador de 24"	aprox. 300 lbs/135 kg*
Congelador de 30"	aprox. 335 lbs/150 kg*
Conservador de vinos 18"	aprox. 300 lbs / 135 kg
Conservador de vinos 24"	aprox. 360 lbs / 160 kg

(\* sin expendedor de agua)

## Ambiente de emplazamiento

El electrodoméstico debe instalarse en un ambiente seco y bien ventilado.

La temperatura del ambiente no debe descender de los 55 °F (13 °C) o aumentar más allá de los 110 °F (43 °C). De lo contrario puede no funcionar correctamente.

El lugar de emplazamiento no debe estar expuesto a la luz solar directa, ni cerca de una fuente de calor como una estufa, radiador, etc.

Si es inevitable instalarlo cerca de una fuente de calor, utilice una placa aislante adecuada o asegure una distancia mínima respecto de la fuente de calor:

- 1 1/4" (30 mm) de un horno eléctrico,
- 12" (300 mm) de un horno a aceite o combustible seco.

## Cavidad de instalación

Es importante observar las dimensiones especificadas para la cavidad de instalación a fin de garantizar una instalación del electrodoméstico sin problemas y para una vista general adecuada del mueble.

**i** Controle particularmente que la cavidad esté a escuadra.

Esto puede controlarse con herramientas adecuadas, como un nivel de agua, mediciones en diagonal, etc.



Las paredes laterales de la cavidad deben ser planas.

El espesor mínimo de las paredes laterales y la pared superior debe ser de 5/8" (16 mm).

El espesor mínimo de panel de protección debe ser de 1/2" (23 mm).

Se recomienda un espesor de 3/4" (19 mm).

## Muebles y adornos

El electrodoméstico debe atornillarse firmemente a los muebles o adornos adyacentes y superpuestos.

A tal fin es esencial que todos los muebles o adornos estén firmemente sujetos al suelo o las paredes con medios adecuados.

## Base



## ADVERTENCIA



Un electrodoméstico plenamente cargado es muy pesado. Consulte la tabla siguiente para la carga total requerida de la base:

Refrigerador de 24"	aprox. 890 lbs/400 kg
Refrigerador de 30"	aprox. 1110 lbs/500 kg
Congelador de 18"	aprox. 560 lbs/250 kg*
Congelador de 24"	aprox. 780 lbs/350 kg*
Congelador de 30"	aprox. 950 lbs/425 kg*

Conservador de vinos 18"	aprox. 550 lbs / 245 kg
Conservador de vinos 24"	aprox. 694 lbs / 310 kg

(\* sin expendedor de agua)

Para asegurar que el electrodoméstico esté firmemente montado y funcione correctamente, la base de apoyo debe ser plana y horizontal.

La base debe ser de material duro y rígido.

La zona de instalación deben presentar la misma altura que el resto del ambiente.

Para dar cuenta del elevado peso del electrodoméstico plenamente cargado, se requiere que la base resista la carga en cuestión. Si tiene dudas, consulte a un arquitecto o experto en construcción.

# Conexión a la red de alimentación



## ADVERTENCIA



### Peligro de descargas eléctricas

- Conéctelo a un tomacorriente de 3 conductores con conexión a tierra.
- No desconecte el contacto de toma de tierra.
- No utilice adaptadores.
- No utilice cables de prolongación.

El incumplimiento de estas instrucciones puede ser causa de la muerte, incendios o descargas eléctricas.

El electrodoméstico se entrega con un conductor de alimentación de 3 cables, listado según UL.

El electrodoméstico requiere de un tomacorriente de 3 conductores.

Este tomacorriente debe instalarlo un electricista con la licencia debida.

Debe colocarse un fusible de 10A o más en el soporte correspondiente. Rogamos tener en cuenta a tal fin, la tabla siguiente:

Electrodoméstico	Carga simultánea máxima
Refrigerador de 24"	2 Amper
Refrigerador de 30"	2 Amper
Congelador de 18" (incl. fabricante de hielo)	3,5 Amper
Congelador de 24" (incl. fabricador de hielo)	4 Amper
Congelador de 30" (incl. fabricador de hielo)	4,5 Amper

Oriente el borne de puesta a tierra hacia abajo según se muestra en las figuras.

Por la ubicación de los tomacorrientes, consulte las «Medidas de emplazamiento» en página 89.

## Procedimiento de puesta a tierra adicional

Algunas disposiciones locales exigen una puesta a tierra adicional. En este caso debe adquirirse por separado el cable, las grampas y los tornillos accesorios.

Nunca conecte a tierra el electrodoméstico en tuberías de plástico, de gas o de agua.

## Instrucciones de conexión a tierra

Este electrodoméstico debe conectarse a tierra. En caso de un fallo en el funcionamiento o una rotura, la conexión a tierra reduce el riesgo de descargas eléctricas, proveyendo una vía de resistencia menor para la corriente eléctrica.



## ADVERTENCIA



Una conexión inadecuada del conductor de puesta a tierra puede ser causa de una descarga eléctrica. Haga controlar el electrodoméstico por un electricista calificado o personal del servicio técnico si tiene dudas respecto de una conexión a tierra correcta.

## Conexión del agua

Se requiere de una conexión de agua fría, para el funcionamiento del generador automático de hielo. La presión del agua debe estar comprendida entre 25 a 120 p.s.i. (1,72 a 8.25 bar).

La instalación debe cumplir con las reglamentaciones de tubería de agua locales y las leyes nacionales correspondientes.

Debe instalarse una válvula de cierre en la conexión de agua del electrodoméstico.

La válvula de cierre no debe encontrarse detrás del electrodoméstico. Se recomienda instalar dicha válvula en la cercanía inmediata del electrodoméstico (unidad base) o en otra zona de fácil acceso.

Durante la instalación del agua, observe las zonas de instalación permitidas para la tubería. Por las zona mencionadas y sus medidas, consulte «Medidas de instalación» en página 89.

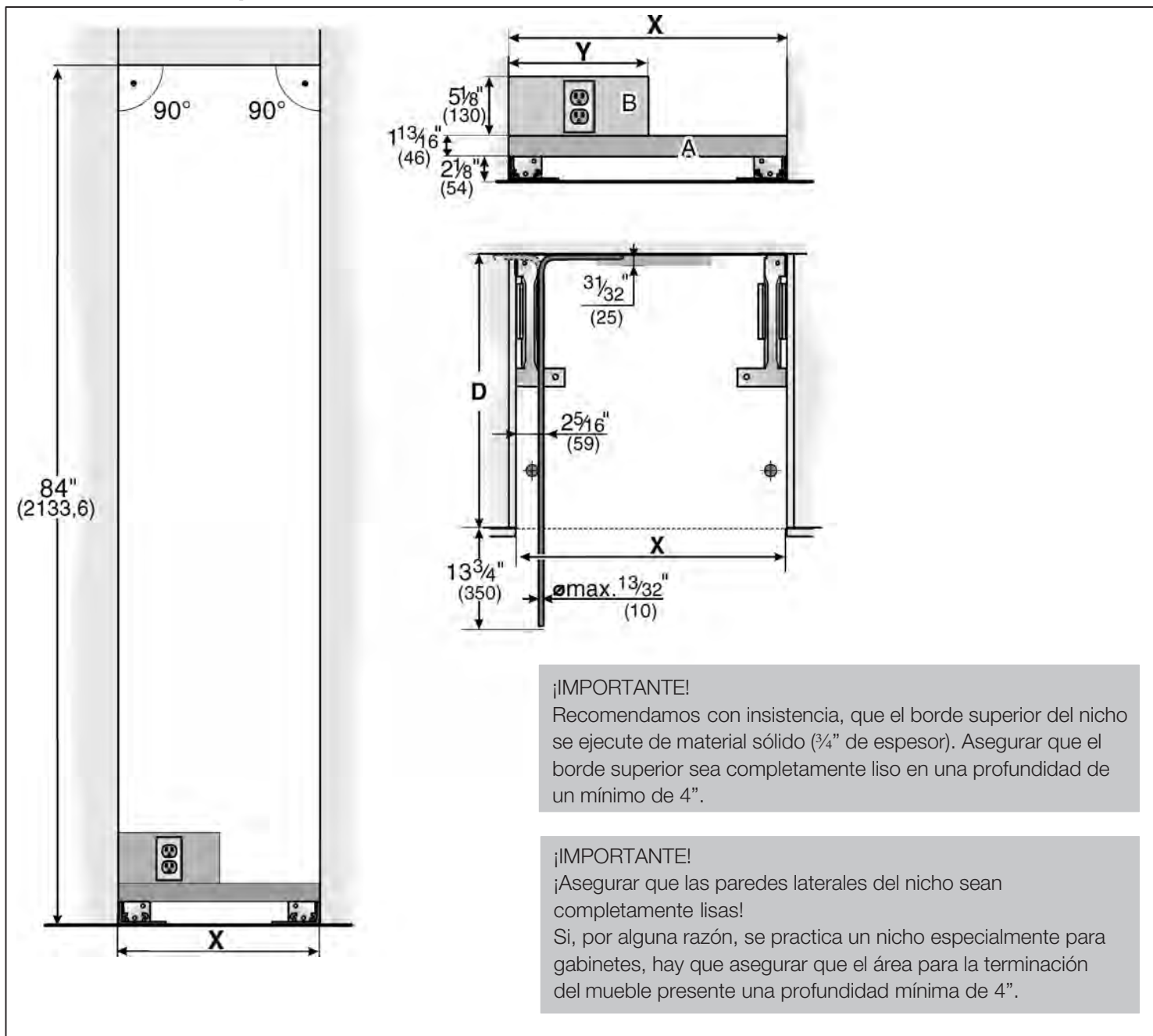
La tubería de alimentación puede ubicarse al costado derecho (a), al costado izquierdo (b), o debajo (c).

El diámetro externo máximo de la tubería (sin las monturas):  $1\frac{3}{32}$ " (10 mm).

Sujete la válvula para la conexión de agua, en un sitio de fácil acceso. ¡No utilice una válvula de conexión por perforado!

# Medidas de instalación

## Instalación simple



### Leyenda:

- A** Zona para la instalación de la conexión de agua  
Recomendamos que el depósito de agua se instale al lado de la abertura de instalación, por razones de servicio, de modo que pueda accederse al mismo sin desinstalar el electrodoméstico. Si esto no fuera posible, instale el depósito de agua al lado del tomacorrientes a la altura de las áreas A+B.
- B** Zona para la conexión a la red de potencia
- D** Altura de la abertura, según el diseño de la cocina (consultar la GUÍA DE DISEÑO)  
D = 24" (610 mm) como mínimo

**Nota:** La cavidad debe estar a escuadra.  
La pared lateral de la cavidad debe ser plana.

	Electrodoméstico		
	18"	24"	30"
<b>X</b>	18" (457 mm)	24" (610 mm)	30" (762 mm)
<b>Y</b>	9" (229 mm)	12" (305 mm)	15" (381 mm)

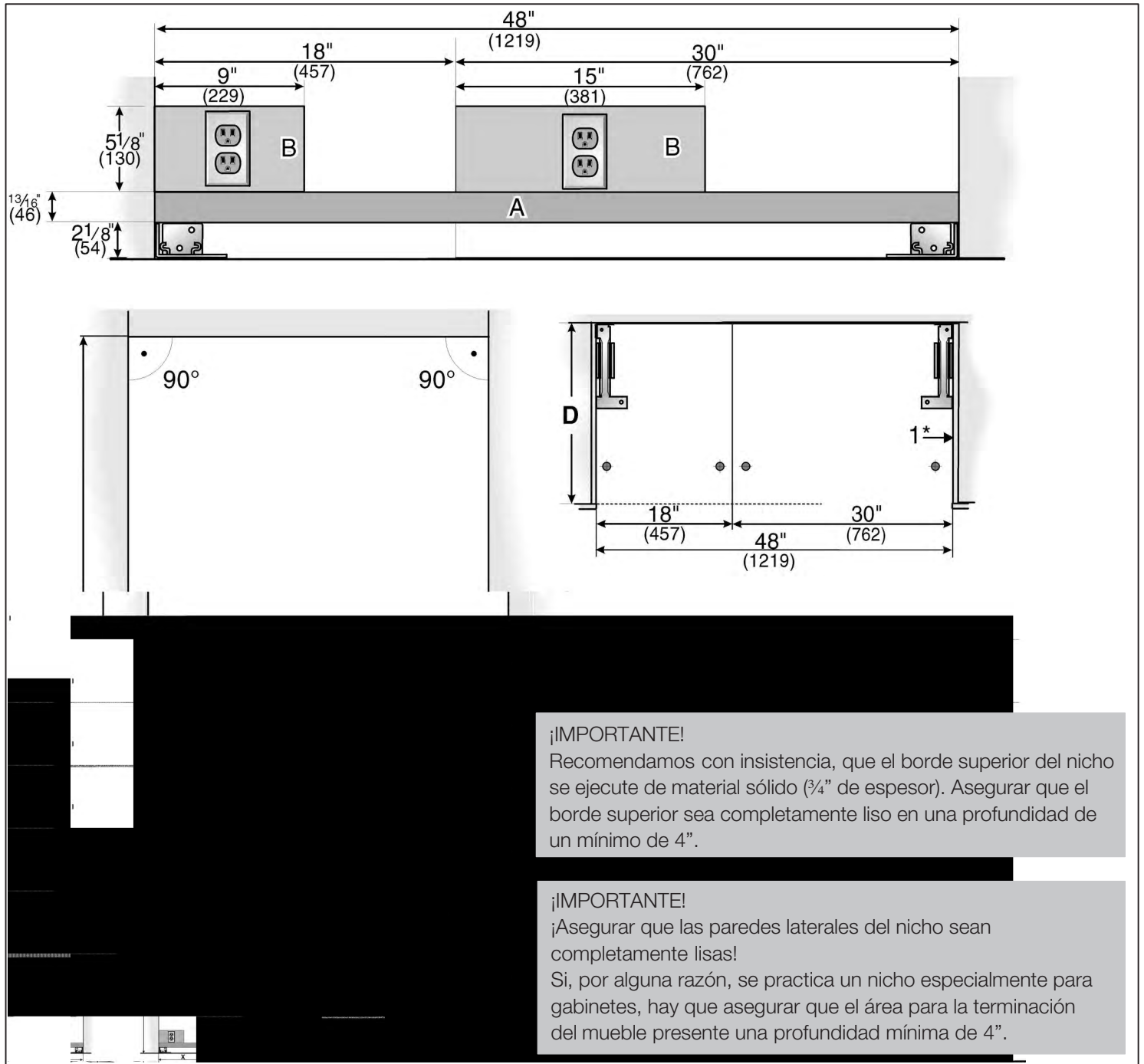
## Instalación Side-by-Side (Lado a lado)

Las dimensiones para la cavidad indicadas arriba para el electrodoméstico correspondiente, deben aplicarse para la instalación Side-by-Side (Lado a lado) de dos electrodomésticos.

El ancho total de la cavidad resulta de la adición del ancho de la cavidad indicado para los dos electrodomésticos.

### Ejemplo:

Congelador de 18"/Refrigerador de 30"



### Leyenda:

**A** Zona para la instalación de la conexión de agua  
Recomendamos que el depósito de agua se instale al lado de la abertura de instalación, por razones de servicio, de modo que pueda accederse al mismo sin desinstalar el electrodoméstico. Si esto no fuera posible, instale el depósito de agua al lado del tomacorrientes a la altura de las áreas A+B.

**B** Zona para la conexión a la red de potencia  
**D** Altura de la abertura, según el diseño de la cocina (consultar la GUÍA DE DISEÑO)  
D = 24" (610 mm) como mínimo

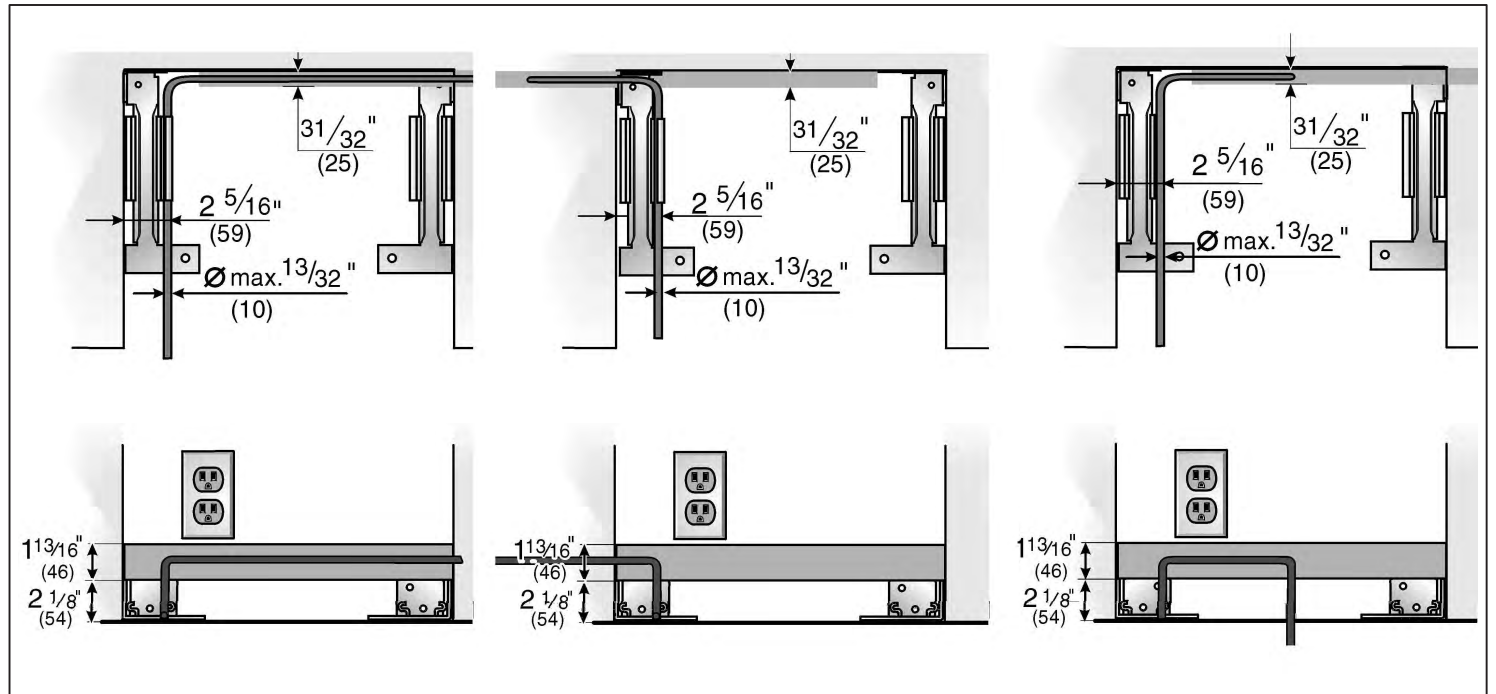
**Nota:** La cavidad debe estar a escuadra.  
La pared lateral de la cavidad debe ser plana.



# Conexión del agua

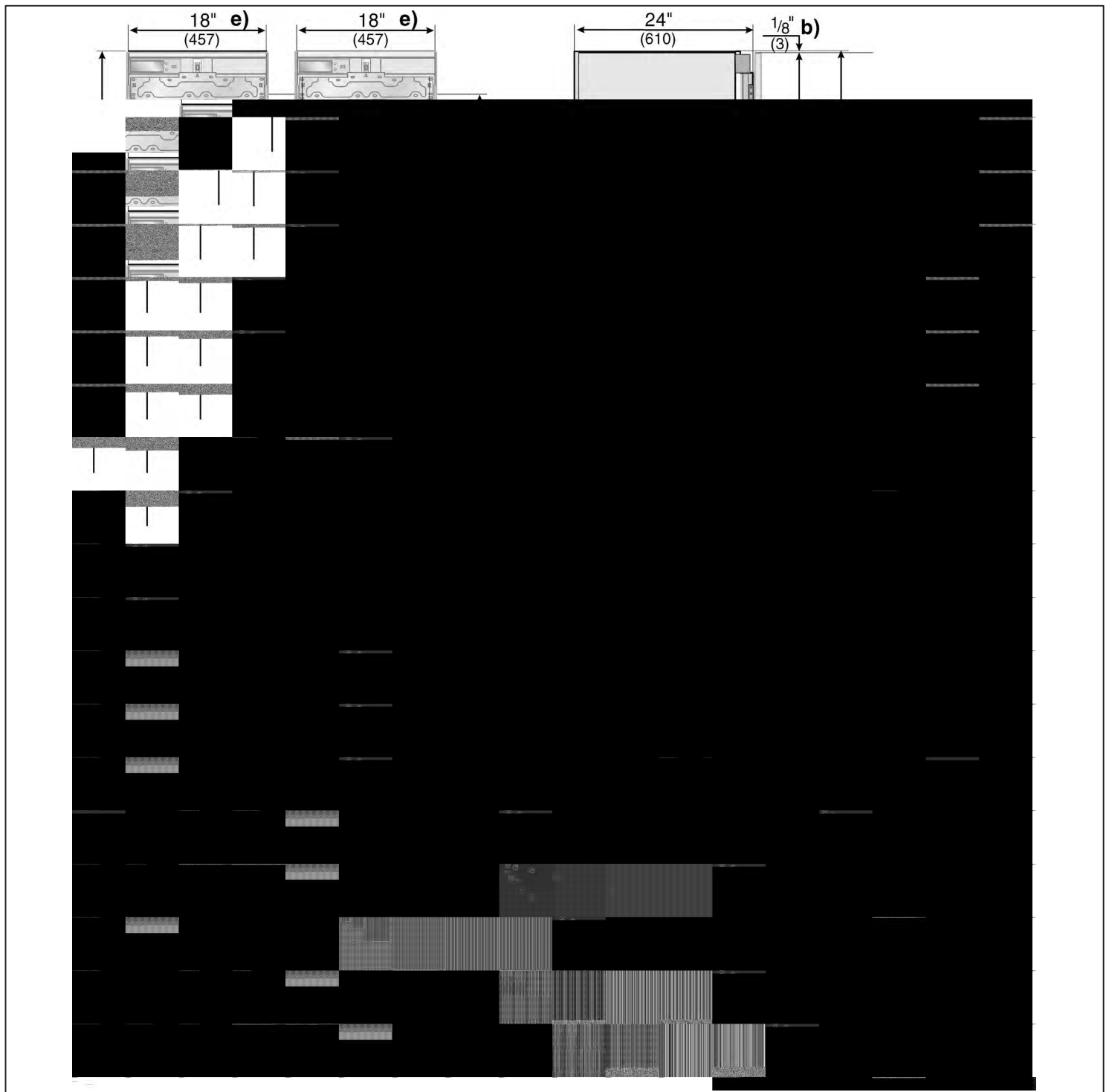
La tubería de alimentación puede ubicarse

- a) al costado derecho (a),
- b) al costado izquierdo (b),
- o
- c) debajo (c).



# Medidas del electrodoméstico

## 1. Electrodoméstico de 18" (Congelador/Congelador con dispensador de agua)



### Legenda:

- a) Ajuste con patas niveladoras +  $1\frac{3}{8}$ " (35 mm) / -  $\frac{1}{2}$ " (13 mm).
- b) Las medidas pueden variar.
- c) El espesor del panel puerta puede variar.
- d) Esta medida puede variar dependiendo de la instalación, el espesor del panel y el equipamiento de la cocina.

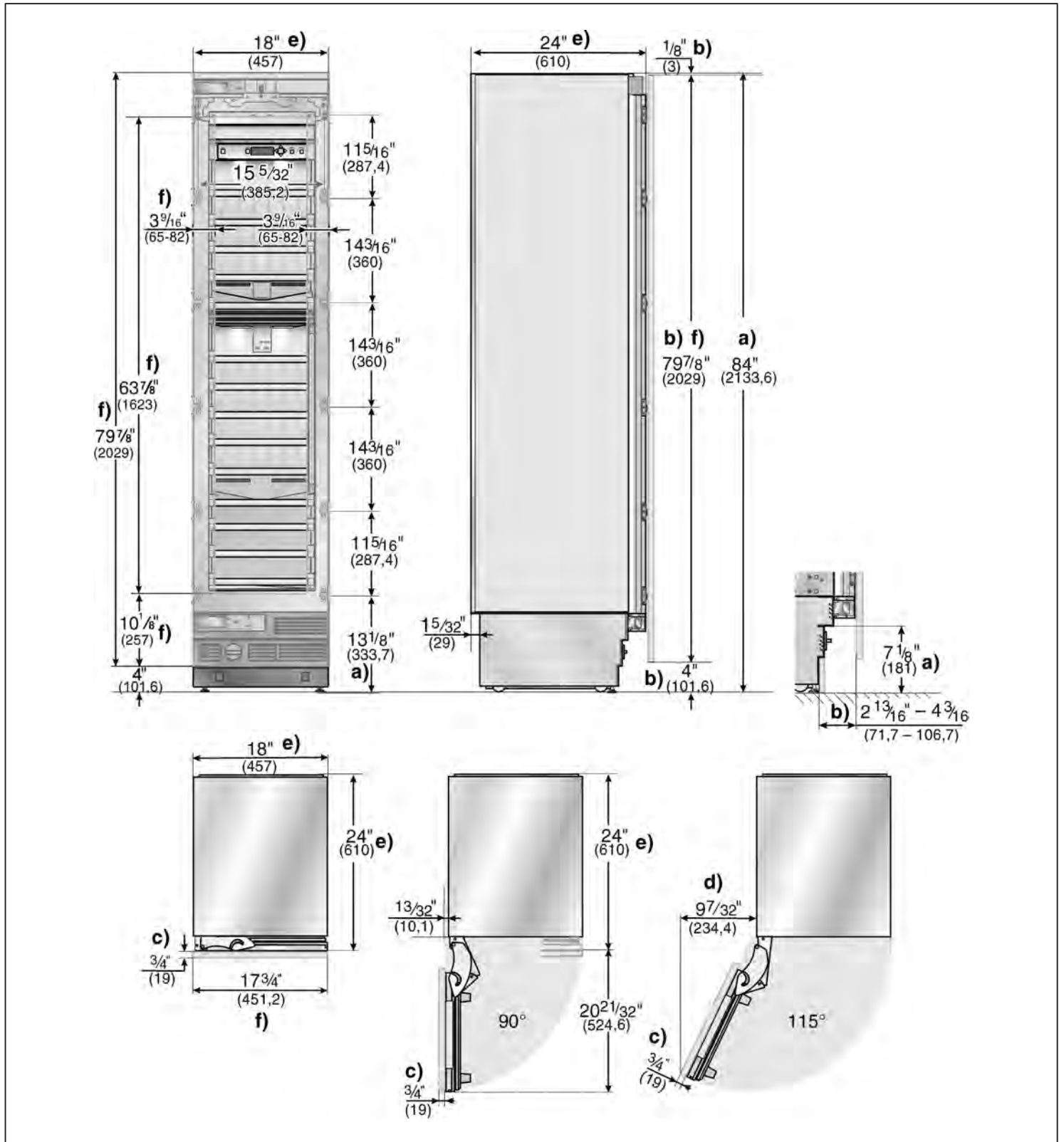
e) Medidas de la unidad

f) Medidas del panel puerta

### Nota:

Se visualiza un diseño de panel de madera. Por más información respecto de diferentes estilos, consulte la guía de diseño (DESIGN GUIDE).

## 2. Electrodoméstico de 18" (Conservador de vinos)



### Leyenda:

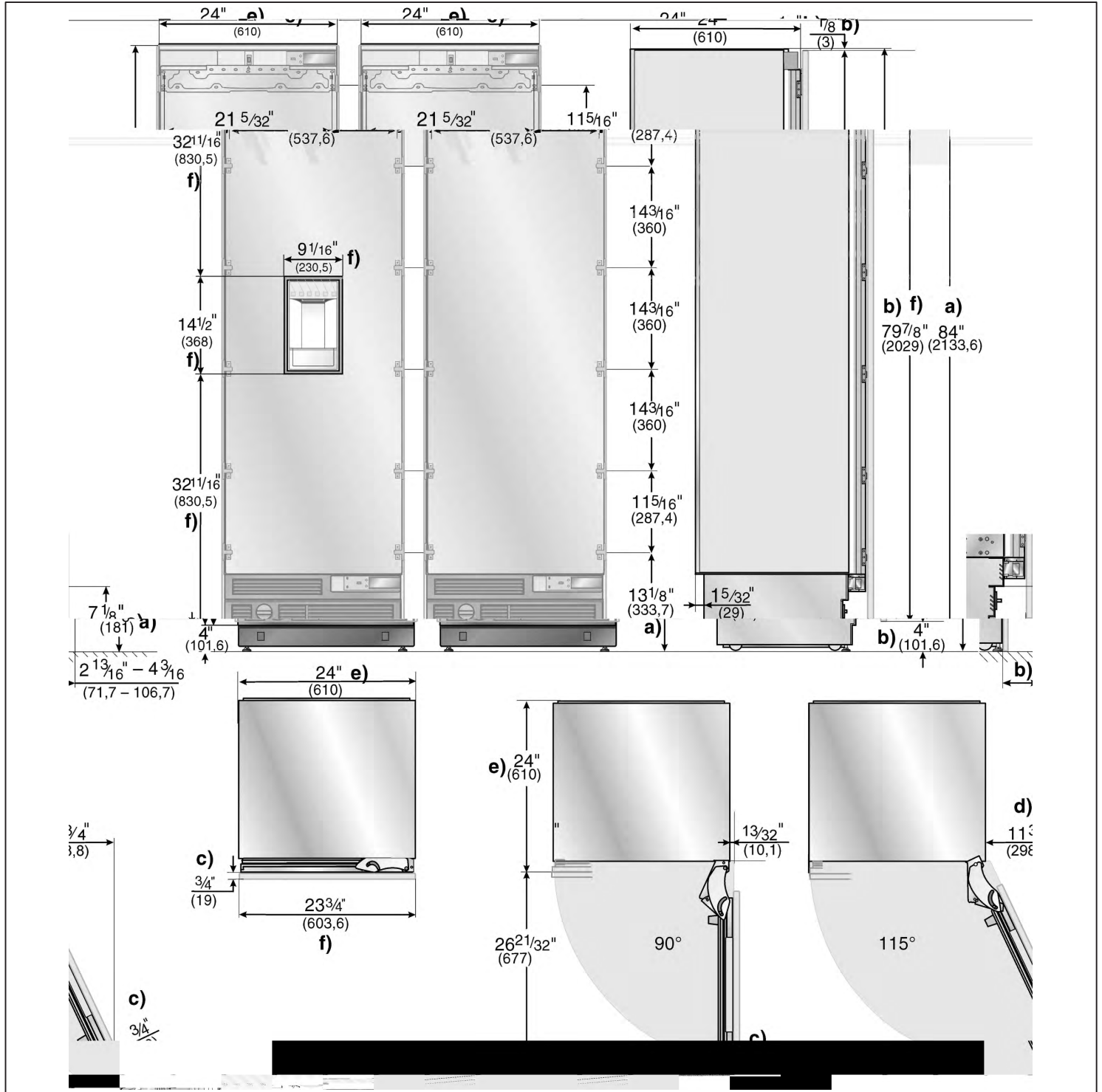
- a) Ajuste con patas niveladoras + 1 3/8" (35 mm) - 1/2" (13 mm).
- b) Las medidas pueden variar.
- c) El espesor del panel puerta puede variar.
- d) Esta medida puede variar dependiendo de la instalación, el espesor del panel y el equipamiento de la cocina.

- e) Medidas de la unidad
- f) Medidas del panel puerta

### Nota:

Se visualiza un diseño de panel de madera. Por más información respecto de diferentes estilos, consulte la guía de diseño (DESIGN GUIDE).

### 3. Electrodoméstico de 24" (Refrigerador/Congelador/Congelador con dispensador de agua)



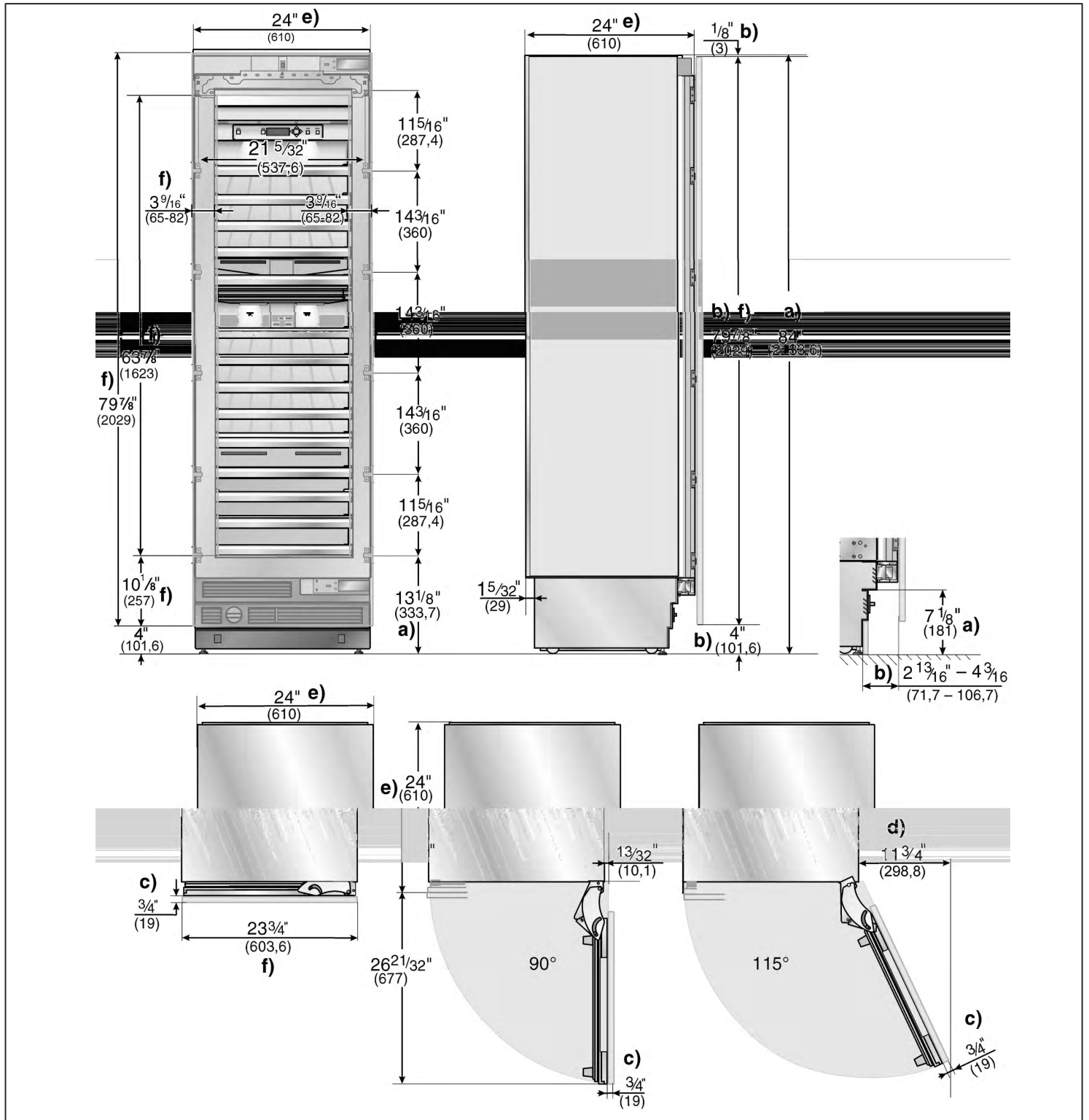
#### Legenda

- a) Ajuste con patas niveladoras + 1 3/8" (35 mm) - 1/2" (13 mm).
- b) Las medidas pueden variar.
- c) El espesor del panel puerta puede variar.
- d) Esta medida puede variar dependiendo de la instalación, el espesor del panel y el equipamiento de la cocina.

- e) Medidas de la unidad
  - f) Medidas del panel puerta
- Nota:**

Se visualiza un diseño de panel de madera. Por más información respecto de diferentes estilos, consulte la guía de diseño (DESIGN GUIDE).

## 4. Electrodoméstico de 24" (Conservador de vinos)



### Leyenda:

- a) Ajuste con patas niveladoras + 1 3/8" (35 mm) / - 1/2" (13 mm).
- b) Las medidas pueden variar.
- c) El espesor del panel puerta puede variar.
- d) Esta medida puede variar dependiendo de la instalación, el espesor del panel y el equipamiento de la cocina.

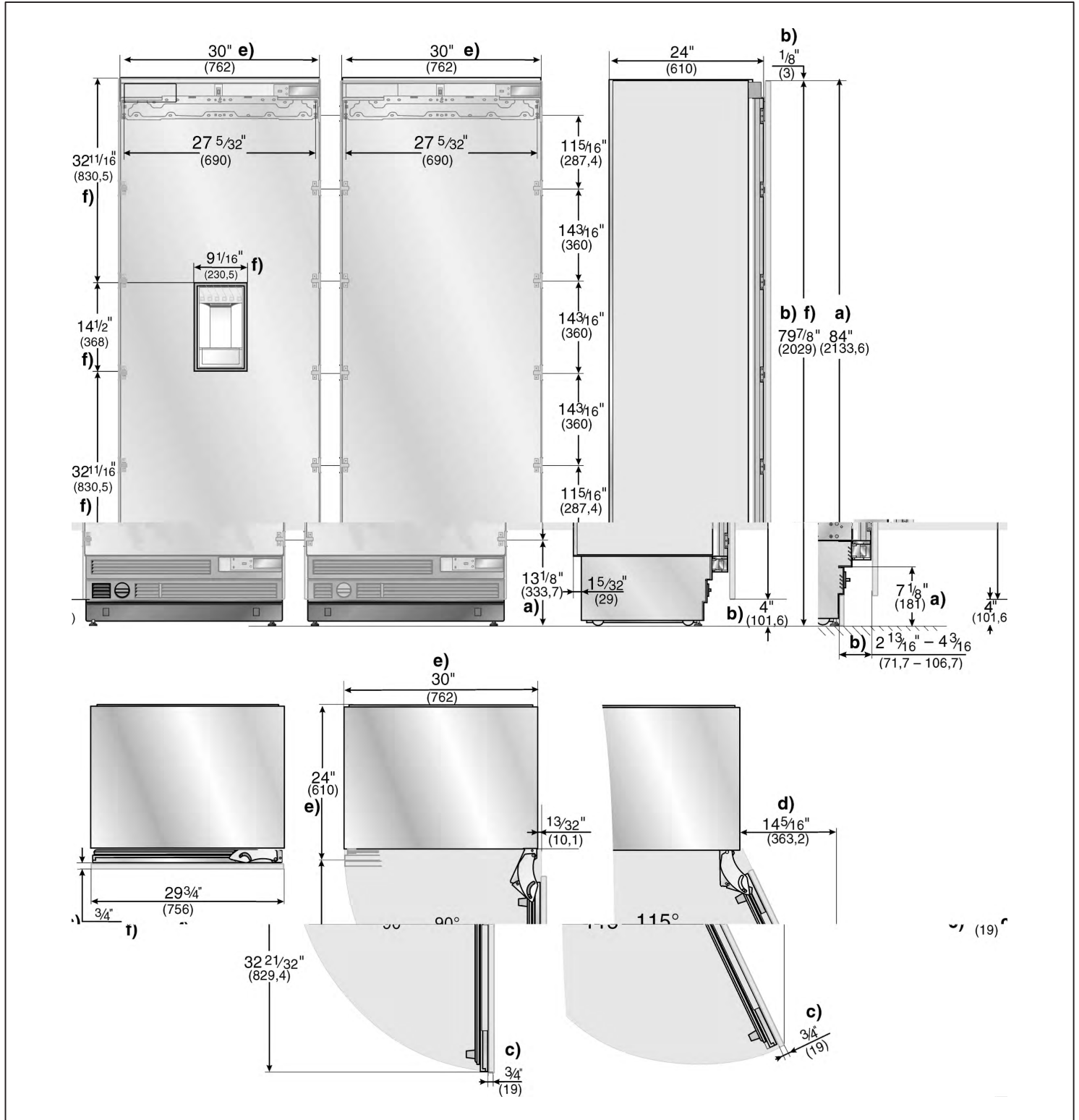
- e) Medidas de la unidad
- f) Medidas del panel puerta

### Nota:

Se visualiza un diseño de panel de madera. Por más información respecto de diferentes estilos, consulte la guía de diseño (DESIGN GUIDE).



## 5. Electrodoméstico de 30" (Refrigerador/Congelador/Congelador con dispensador de agua)



### Leyenda

- a) Ajuste con patas niveladoras + 1 3/8" (35 mm)/- 1/2" (13 mm).
- b) Las medidas pueden variar.
- c) El espesor del panel puerta puede variar.
- d) Esta medida puede variar dependiendo de la instalación, el espesor del panel y el equipamiento de la cocina.

- e) Medidas de la unidad
  - f) Medidas del panel puerta
- Nota:**

Se visualiza un diseño de panel de madera. Por más información respecto de diferentes estilos, consulte la guía de diseño (DESIGN GUIDE).

# Accesorios y herramientas necesarias

## 1. Accesorios que forman parte del volumen de entrega

- Instrucciones para el montaje
- Instrucciones de funcionamiento
- Juego de instalación

## 2. Accesorios opcionales

### Basic Combination Side-by-Side Sealing kit (combinación básico y sellado lado a lado)

Para la conexión permanente de dos electrodomésticos individuales. P. ej. un congelador al lado de un refrigerador.

### Extreme Combination Heating kit (combinación y calentamiento)

Si el espacio entre los electrodomésticos es menor que 6" (160 mm).

### Protección para los dedos extra larga

#### Pieza de unión de partes (franja metálica)

Para la colocación de dos puertas de muebles. Puede utilizarse sin tener que efectuar trabajos preliminares para puertas de mueble con altura estándar.

## 3. Otros accesorios necesarios para salidas especiales

### Juego para la instalación de un generador de hielo con línea de 1/4" de cobre

Para electrodomésticos que requieren agua. P. ej. para un generador de hielo.

- i** Diámetro máximo de la tubería de agua (sin accesorios):  $1\frac{3}{32}$ " (10 mm).

## 4. Herramientas

- Destornillador a batería T20
- Destornillador tipo Torx T20
- Bit tipo Torx T20 + un soporte magnético
- Destornillador de ranura en cruz  $\frac{5}{16}$ " (8 mm)
- Brocas para madera de diversas medidas
- Llave de boca SW 13/1/2"
- Pinza universal
- Llave ajustable
- Cuchilla de hoja ajustable
- Cinta de medir metálica
- Escuadra
- Nivel de agua de 2' (60 cm) y 4' (1,2 m)
- Nivel marcador, con una longitud mínima de 4' (1,2 m) para electrodomésticos individuales o 7' (2,0 m) para instalación Side-by-Side (Lado a lado).

## 5. Otros

- Escalera
- Carro de mano
- Perforadora para practicar orificios en paredes o pisos.
- Bits de diferentes tamaños y materiales.
- Viguetas de madera (sección transversal mínima de 3" x 4") como protección alternativa contra vuelcos, de longitud adecuada al ancho de la cavidad.
- Tornillos de madera de diferentes tamaños
- Material delgado (máx.  $\frac{1}{16}$ " (1,5 mm)), adecuado para evitar daños en el piso (p. ej. linóleo)
- Material adecuado para cubrir y proteger los muebles (p. ej. láminas de protección).
- Cinta adhesiva.

# Instrucciones de instalación

## ⚠ CUIDADO ⚠

Las instrucciones de montaje siguientes describen los pasos a seguir para el montaje de los diferentes tipos de equipos:

- unidades de refrigeración
- unidades de congelación
- unidades de congelación con procesador para hielo
- unidades de congelación con dispensador de hielo y agua
- unidades de depósito para vinos

Por ello puede ocurrir que las representaciones en las figuras diverjan de la realidad.

Se advierte especialmente respecto de pasos de montaje especiales para tipos de equipos individuales.

## 1. Control de la cavidad para la instalación

### ⚠ CUIDADO ⚠

Para asegurar una instalación sin problemas y una vista adecuada del frente del mueble a instalar, controle prolijamente la cavidad para que la instalación cumpla con los requerimientos del caso.

Antes de comenzar con la instalación, controle que la cavidad cumpla con todos los requerimientos para una instalación segura y sin problemas.

- ❑ Controle la base.
  - Siga las instrucciones de la sección «Emplazamiento de instalación» en página 87.
- ❑ Controle las medidas de la cavidad.
- ❑ Controle que la cavidad esté a escuadra.
- ❑ Controle la ubicación del tomacorriente.
  - Siga las instrucciones de la sección «Conexión a la red de potencia» en página 88 y la sección «Medidas de instalación» en página 89.
- ❑ Controle la ubicación de la conexión del agua (únicamente en caso de electrodomésticos con generador de hielo).
  - Siga las instrucciones de la sección «Conexión del agua» en página 88.
- ❑ Controle la sujeción de los muebles o adornos adyacentes. Todos los muebles en las cercanías del electrodoméstico deben estar firmemente sujetos a las paredes.
- ❑ Controle que los muebles o adornos adyacentes no colisionen (ángulo de apertura de las puertas).

## 2. Transporte del equipo

### ⚠ CUIDADO ⚠

El equipo es muy pesado. Por ello debe tenerse especial cuidado, ya que eventuales colaboradores pueden verse lesionados o el equipo puede sufrir daños.

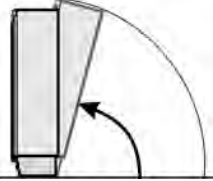

- ❑ Transportar el equipo con elementos de transporte adecuados al sitio de emplazamiento y al equipo mismo (carretilla para sacos, elevador a horquillas o carro).
- ❑ Asegurar el electrodoméstico para que no pueda volcarse durante el transporte.

El equipo presenta una altura de 2134 mm. Si no se puede transportar el equipo en posición vertical, debido a las características constructivas del sitio, puede transportárselo acostado.

### ⚠ CUIDADO ⚠

¡No erigir el electrodoméstico sujetándolo de las paredes laterales! Existe riesgo de daños en el electrodoméstico.

Tener en cuenta la altura mínima necesaria en el sitio de emplazamiento cuando se quiere parar el equipo, siguiendo los datos de la tabla siguiente:

Anchura del equipo	Parar el equipo por la pared posterior	Parar el equipo por la pared lateral
		
18" / 457 mm	86" / 2185 mm	<b>No erigir el electrodoméstico sujetándolo de las paredes laterales!</b>
24" / 610 mm	86" / 2185 mm	
30" / 762 mm	86" / 2185 mm	

### 3. Desembalaje



#### ADVERTENCIA



- El electrodoméstico puede volcar durante el desembalaje.
  - El electrodoméstico es extremadamente pesado.
  - El electrodoméstico puede volcar hacia delante, cuando abra la puerta del mismo.
- Sea cuidadoso, de otra manera puede lesionarse la gente que le ayuda, o puede dañarse el electrodoméstico.

Para proteger la base de daños durante la instalación:

- ❑ Sujete un trozo de paño, linóleo, etc. delante del sitio de emplazamiento.

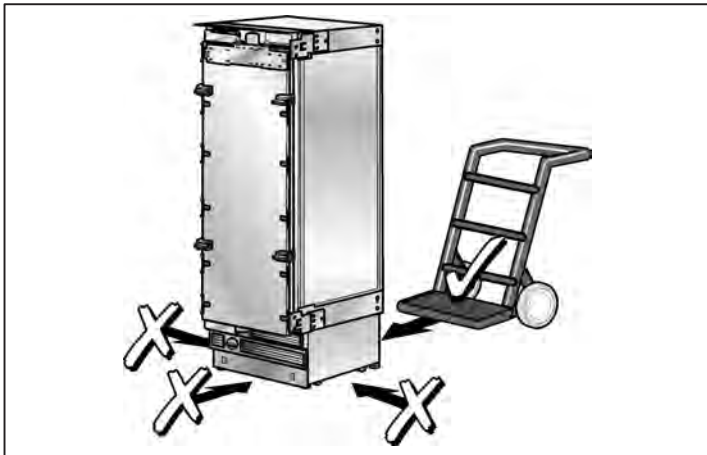


#### CUIDADO



Aplicar la carretilla de transporte siempre en el centro de la parte posterior del aparato. ¡No aplicarla nunca en la parte frontal o en uno de los laterales!

**¡El aparato puede sufrir daños o desperfectos!**



- ❑ Mueva el electrodoméstico mediante un carrito de mano.
- ❑ Quite el embalaje de transporte:
  - quite el cartón. Utilice la cuchilla con cuidado para no rayar el electrodoméstico.
  - Extraiga los accesorios de los embalajes de protección.



#### CUIDADO



No quite los dispositivos de protección para el transporte de los estantes y las gavetas, antes de concluir con la instalación. De lo contrario pueden dañarse.

- ❑ Controle si el electrodoméstico presenta daños de transporte.

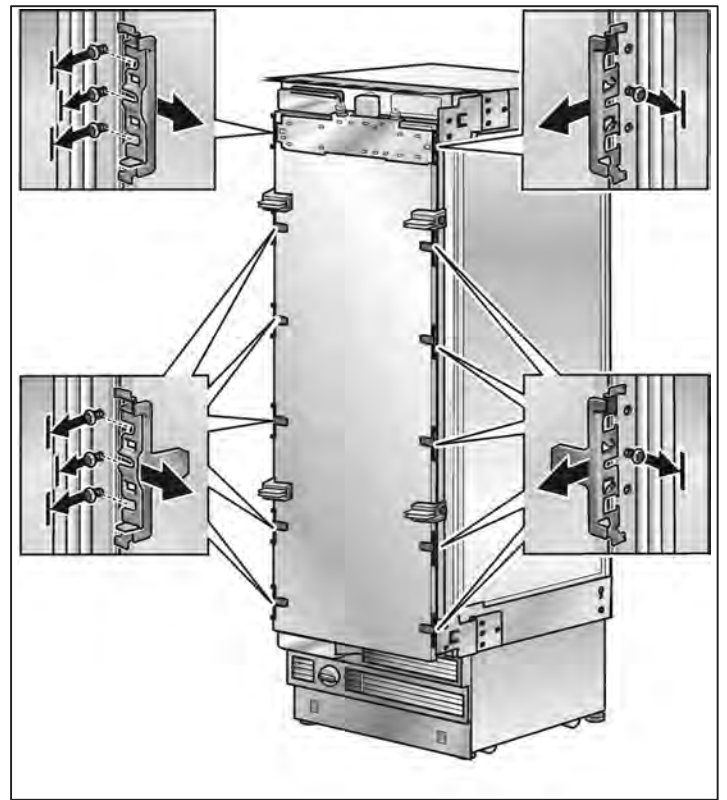
No instale el electrodoméstico si presenta daños visibles. En caso de dudas, consulte con su vendedor.

### 4. Preparación del electrodoméstico

- ❑ Quite los soportes laterales y la placas de sujeción que sostienen los frentes del mueble. Para ello, quite los tornillos de sujeción y quite las piezas correspondientes.



Guarde las piezas de sujeción en recipientes adecuados, a fin de que no se pierdan.



## 5. Cambiando las bisagras



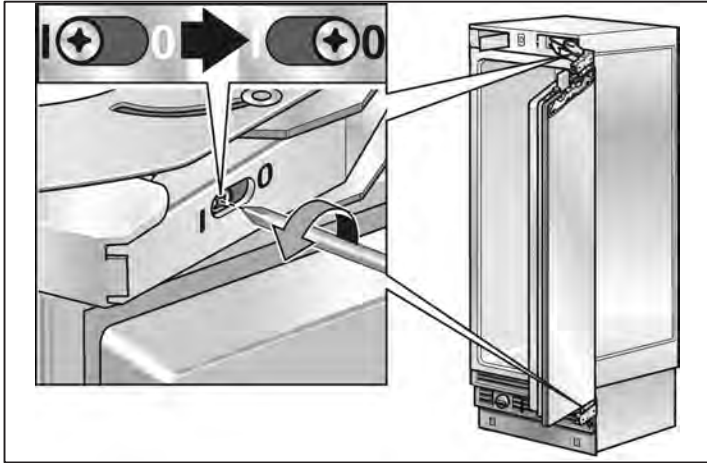
### CUIDADO



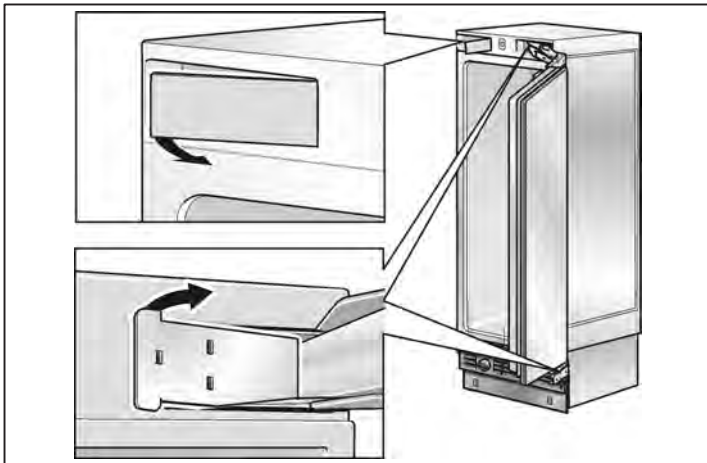
¡Antes de trabajar en las bisagras, quite los muelles!  
¡Hay peligro de lesiones!

Las bisagras de las puertas deben cambiarse de posición, según los requerimientos de la instalación.

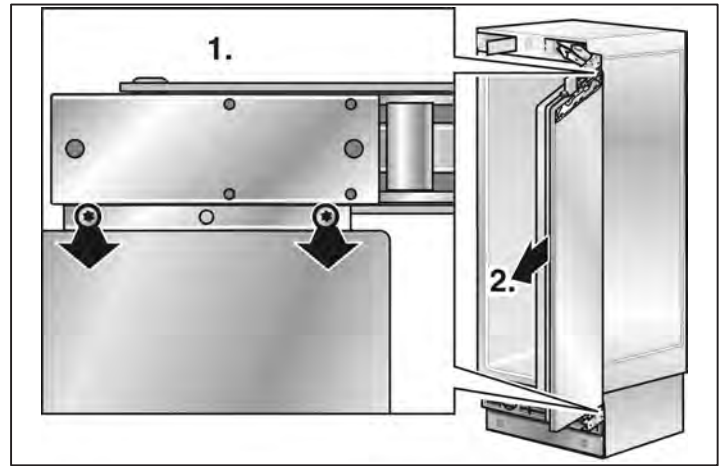
**i** Si no es necesario efectuar un cambio de los topes para la puerta, proseguir con el paso siguiente.



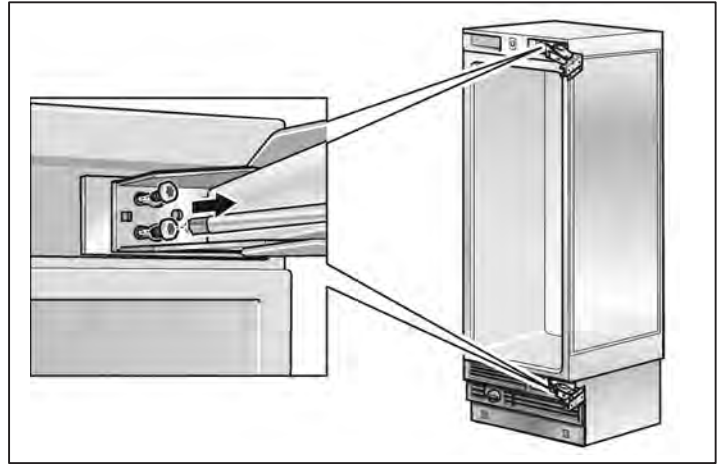
❑ Afloje el muelle de la bisagra. Afloje el tornillo **I** a **0**.



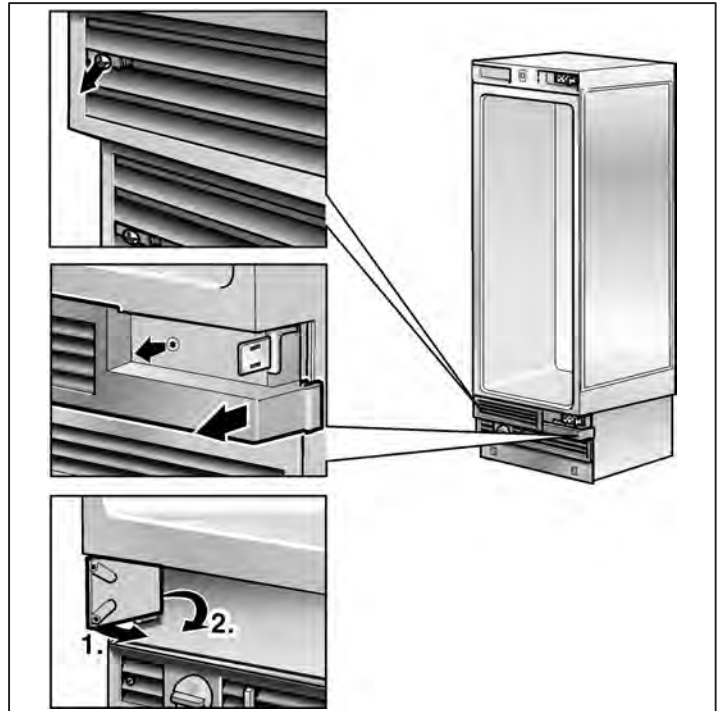
❑ Quite la caja de protección de la bisagra.



❑ Desatornille la puerta.



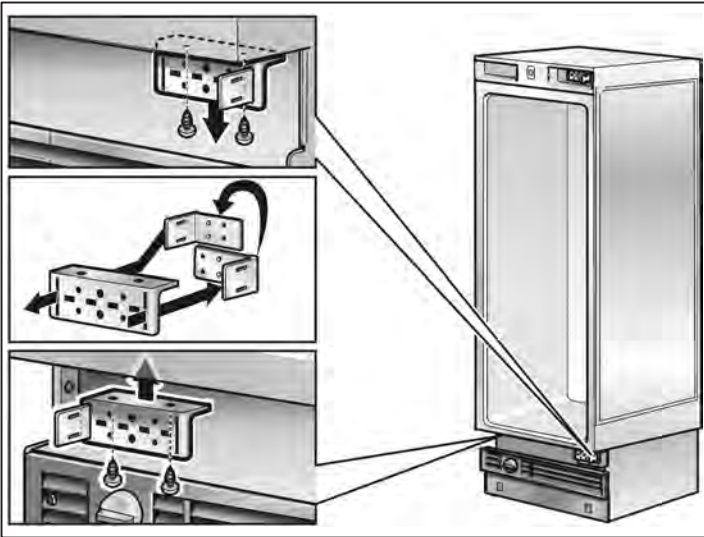
❑ Quite las bisagras.



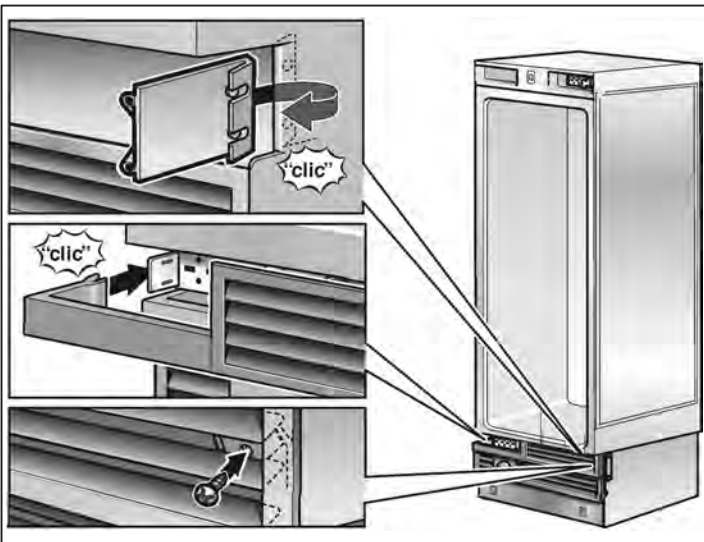
❑ Quite las partes de la parilla.

**i** Deben usarse piezas nuevas.

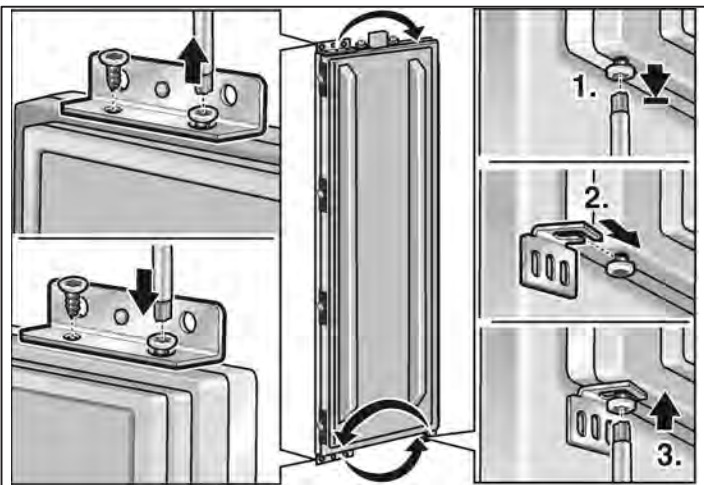




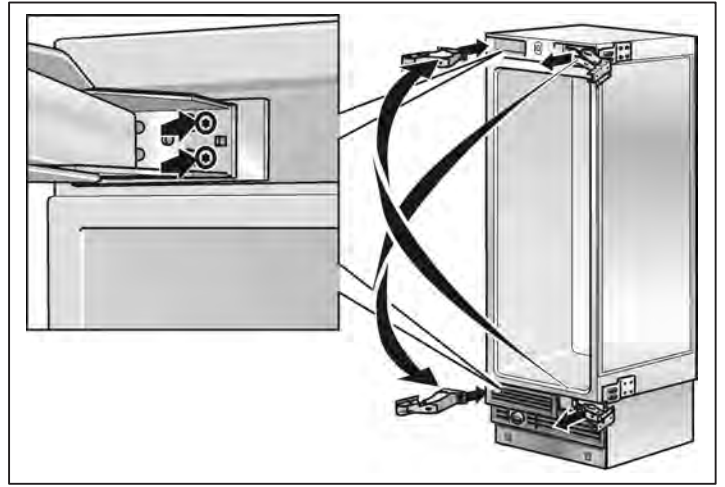
- ❑ Cambie de lado el ángulo de la bisagra.



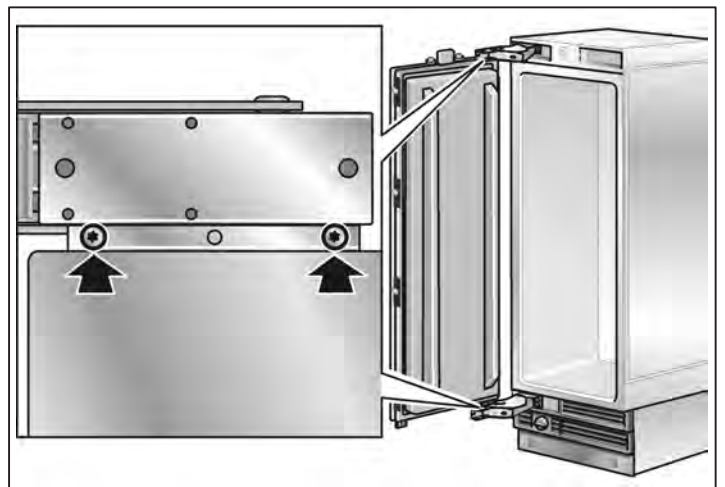
- ❑ Monte completamente las partes nuevas de la parrilla.



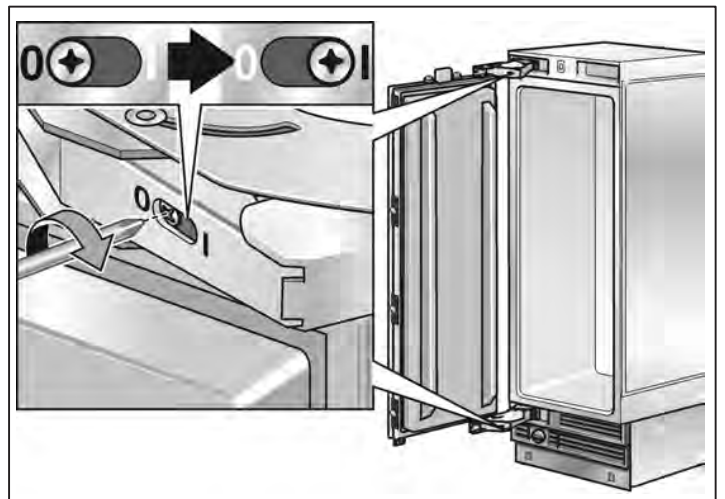
- ❑ Cambie de lado las piezas de sujeción en la puerta.



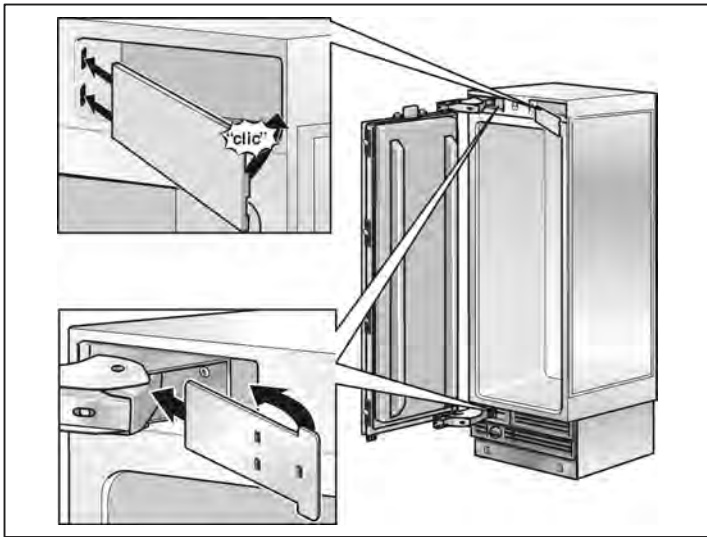
- ❑ Sujete las bisagras en el electrodoméstico. ¡Cambie las bisagras cruzadas!



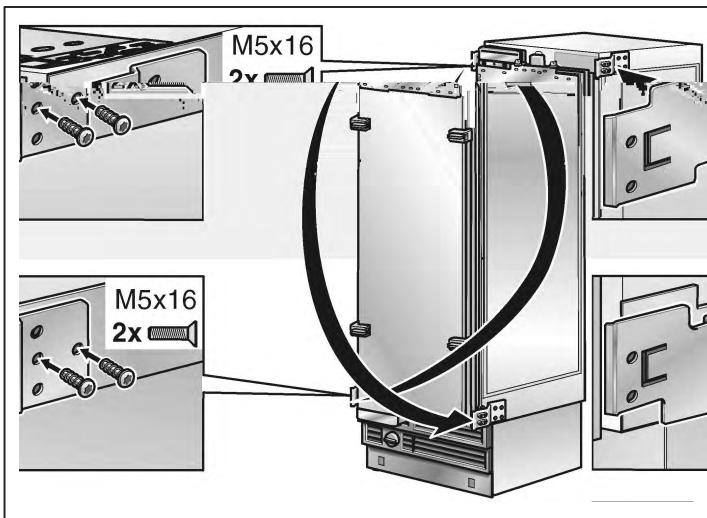
- ❑ Sujete la puerta.



- ❑ Tensione el muelle de la bisagra. Ajuste el tornillo de 0 a I. Sujete luego la caja de cobertura de la bisagra.



- ❑ Sujete luego la caja de cobertura de la bisagra.



- ❑ Sujete las placas de montaje cruzadas.

## 6. Preparación de la cavidad de instalación

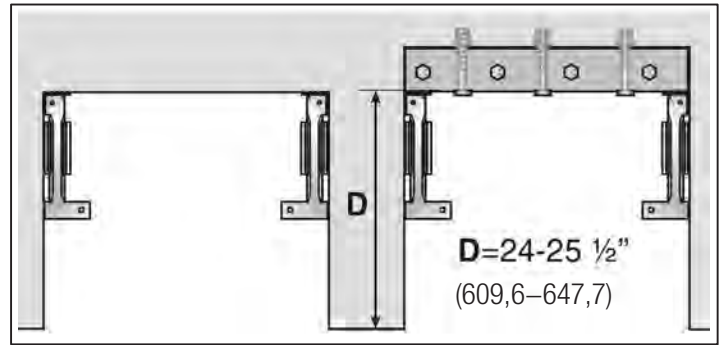
- i** Se necesitan dos grampas antivuelco para cada electrodoméstico o combinación de electrodomésticos (Side-by-Side (Lado a lado)).
- ❑ Determine los puntos de montaje de las grampas antivuelco.  
Determine las medidas en detalle, consultando la sección «Medidas de instalación» comenzando en página 89.



### ADVERTENCIA



Asegure que no existan cables eléctricos o tuberías en la zonas donde deben penetrar los tornillos.  
¡Existe peligro de lesiones y daños!



- ❑ Si la cavidad de instalación es de mayor profundidad que el electrodoméstico, coloque una viga de madera detrás de las grampas antivuelco, sujetándola firmemente a la base o la pared.  
¡La longitud de la viga de madera debe ser igual al ancho de la cavidad de instalación!



### IMPORTANTE



Si es posible, atornille las viguetas de madera sobre monturas ya existentes sobre la pared de la cavidad.

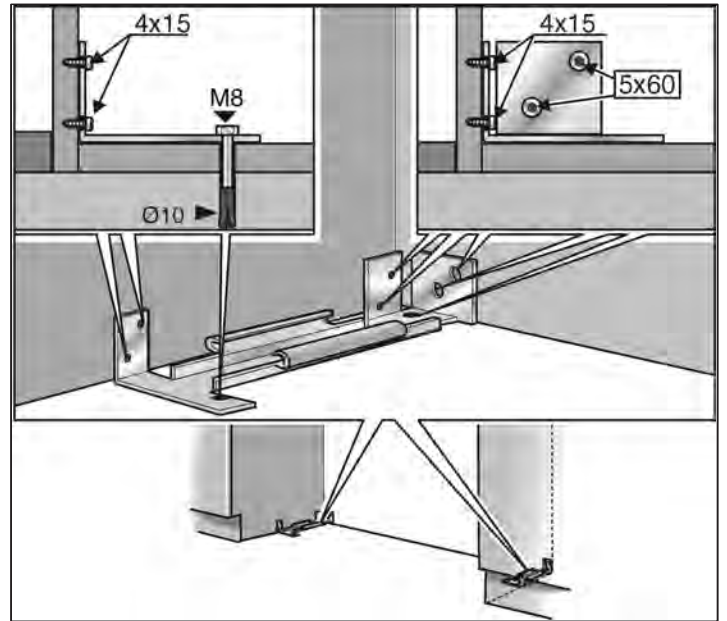
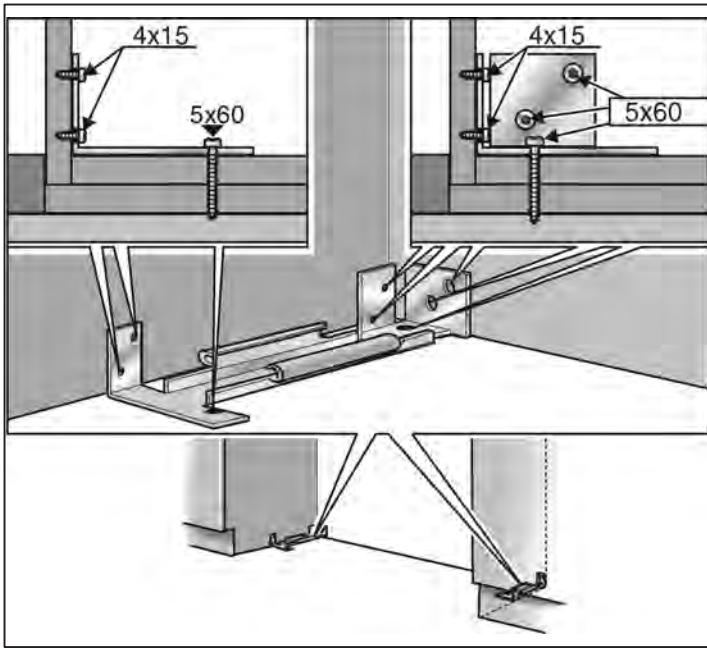
En algunas instalaciones, el suelo o el subsuelo puede hacer necesario introducir los tornillos de madera que se emplean para sujetar las grampas antivuelco en la pared posterior, en ángulo.

- i** Información importante para asegurar con firmeza las grampas antivuelco:
  - El juego suministrado comprende diversos tronillos para diferentes instalaciones. Seleccione los tornillos de acuerdo a las condiciones.
  - Si los tornillos de sujeción suministrados, no permiten sujetar con firmeza los soportes antivuelco y con ello el electrodoméstico, debe utilizarse otro método para una sujeción suficientemente firme.

#### Aplicación con piso de madera

Utilice los tornillos para madera que forma parte del volumen de entrega, consulte la figura de vista general «Utilización de los tornillos que forman parte del juego correspondiente».

- ❑ Practique perforaciones previas:
  - $\frac{1}{8}$ " (3 mm) para los tornillos de madera (5x60 mm)
  - $\frac{5}{64}$ " (2 mm) para los tornillos de madera (4x15 mm)
 Asegurando que los tornillos penetren a través del piso, por lo menos en  $\frac{3}{4}$ " en la placa de la pared.
- ❑ Sujete completamente las grampas antivuelco.  
Asegúrese que los tornillos estén firmes.



### Aplicación con piso de cemento



## CUIDADO



Utilice siempre gafas y otros dispositivos de protección cuando instala o trabaja con tarugos. ¡Peligro de lesiones!

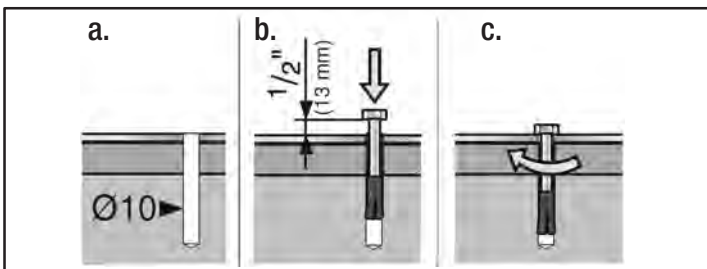
No recomendado para ser usado en material de mampostería liviana como bloques y ladrillos.

No recomendado para ser usado en cemento fresco que no ha tenido tiempo de fraguar.

No utilice brocas huecas para practicar perforaciones para los tarugos.

Utilice tarugos para cemento M8 y los tornillos correspondientes. Utilice adicionalmente los tornillos para madera, consulte la figura de vista general «Utilización de los tornillos que forman parte del juego correspondiente».

- ❑ Practique una perforación de 10 mm de diámetro, con una profundidad que exceda el empotramiento mínimo. Utilice la broca provista.
- ❑ Limpie el orificio o continúe perforando a mayor profundidad.



- ❑ Enrosque el tornillo a mano en el tarugo, hasta sentir una resistencia leve.

- ❑ Hacer penetrar el tarugo con el tornillo a golpes, hasta que la cabeza del tornillo se encuentre a aprox. 1/2" (13 mm) de la grampa antivuelco.
- ❑ Ajuste el tornillo firmemente.

## 7. Montaje de un dispositivo antivuelco adicional



### IMPORTANTE



Si es posible, atornille las viguetas de madera sobre monturas ya existentes en la pared de la cavidad.

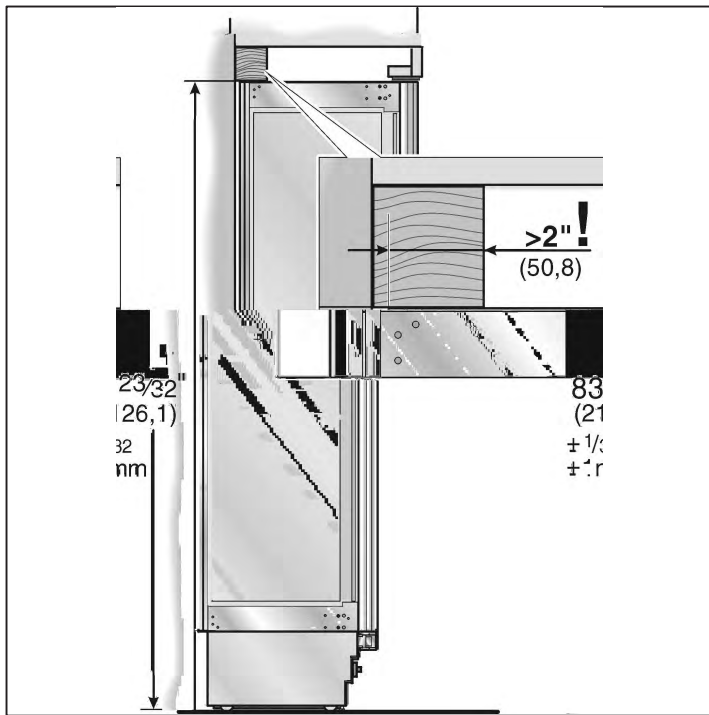
Si no se pueden montar los soportes antivuelco con la firmeza requerida, puede montarse un dispositivo antivuelco alternativo. Sin embargo, debe asegurarse, de que no exista juego entre el electrodoméstico y el dispositivo antivuelco.

- ❑ Corte la vigueta de madera (sección transversal mín. 3" x 4") a la longitud requerida.  
¡La longitud debe ser igual a la anchura de la cavidad de instalación!

#### **i** Nota

- Si la cavidad de instalación es más profunda que el electrodoméstico, selecciones una vigueta que presente una sección transversal mayor, o monte dos viguetas.
- La vigueta debe exceder el electrodoméstico en un mínimo de 2" (50,8 mm).





- Marque la altura de instalación (esquina inferior de la madera) sobre el panel posterior de la cavidad.
- Seleccione los tornillos de acuerdo al espesor de la vigueta de madera: longitud = mín. 2,5 x el espesor de la vigueta, diámetro # 12 o # 14.
- i** Especifique la cantidad de tornillos, de acuerdo al ancho de la cavidad, asegurando que la vigueta quede montada firmemente.
- Ubique la pared vertical cerca de la pared posterior de la cavidad y marque las perforaciones en la vigueta.
- Perfore previamente la vigueta de madera.
- Sujete la vigueta de madera en la pared posterior de la cavidad.

## 8. Preparación para conectar el agua

(solamente si el electrodoméstico requiere de una conexión de agua)

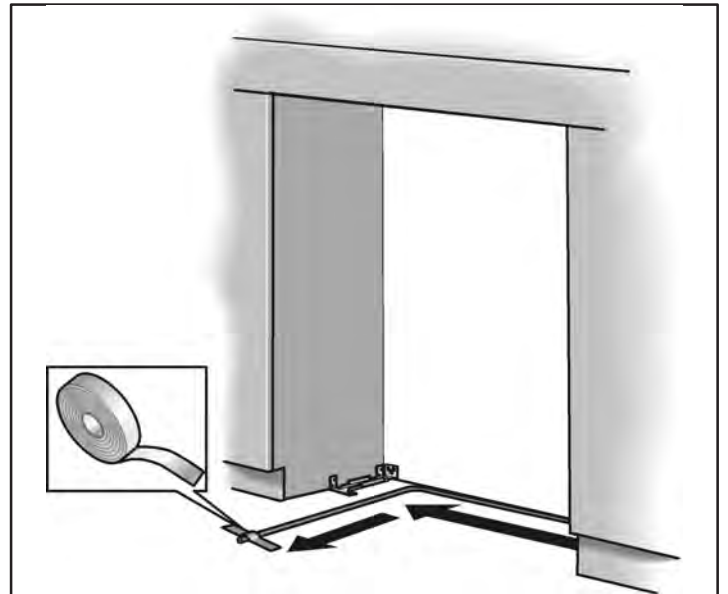


### CUIDADO



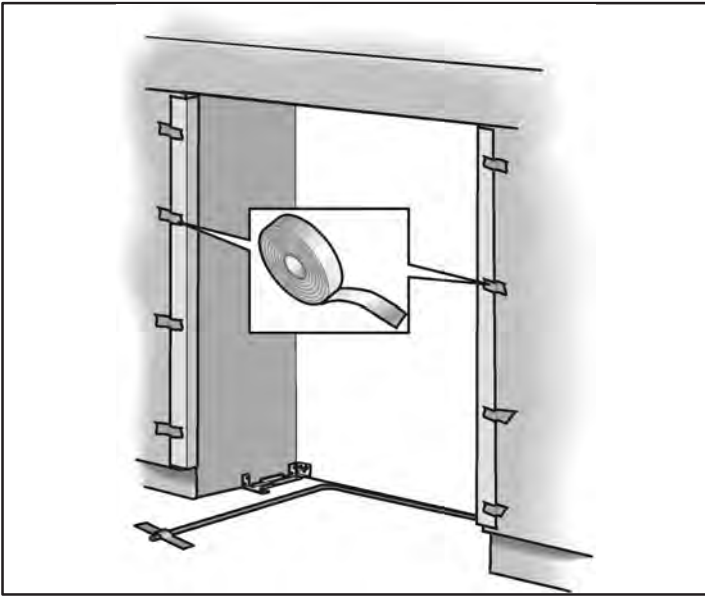
Cierre la llave principal de agua, a fin de evitar daños debidos a la pérdida de agua.

- Monte la tubería de conexión a la válvula de cierre, según las instrucciones suministradas por el fabricante de la instalación generadora de hielo.
- Instale la tubería de conexión. Observe siempre las medidas de separación indicadas, a fin de evitar daños en la tubería de conexión, cuando coloca el electrodoméstico en su sitio.



- Sujete la tubería de conexión al suelo con cinta adhesiva.

## 9. Protección de los bordes

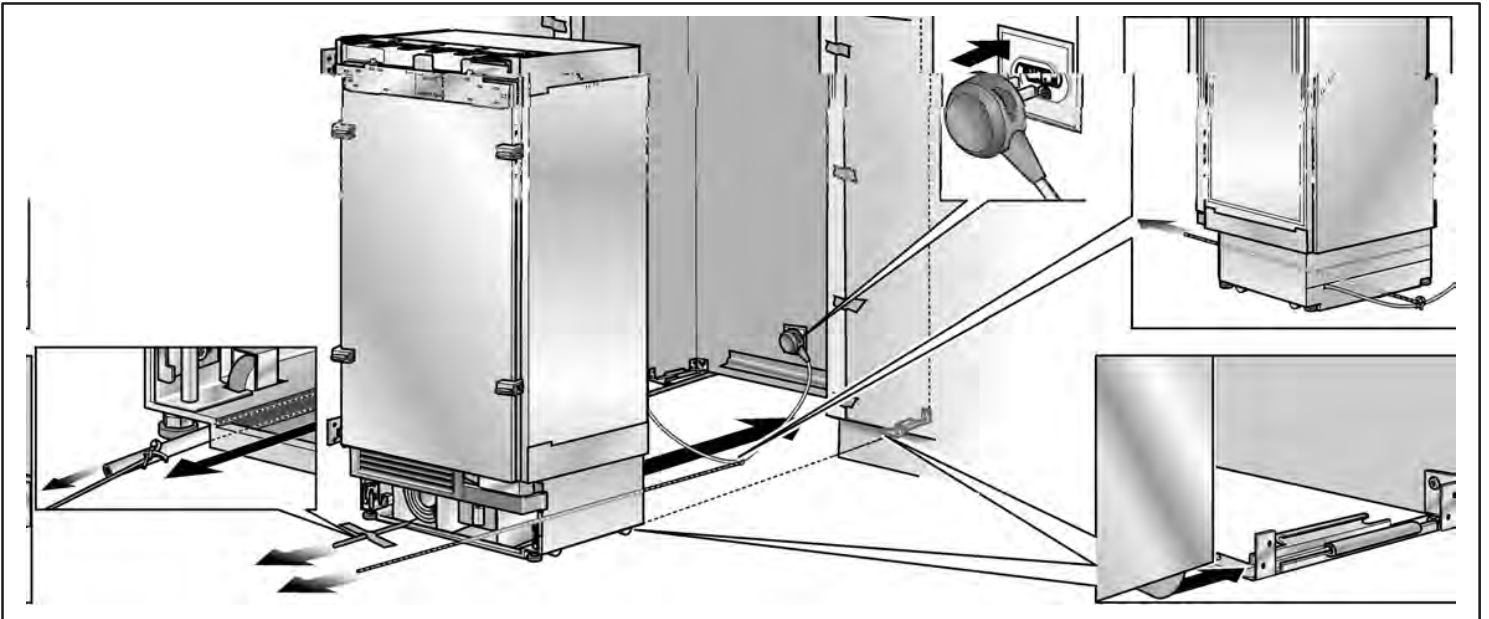


- ❑ Para proteger la hornacina, sujete los ángulos de protección con cinta adhesiva en las esquinas.

## 10. Instalación Side-by-Side (Lado a lado)

- i** Si ha previsto un emplazamiento lado a lado, debe ahora unir ambos equipos. Consulte el manual del instalación por la información concerniente a la Instalación Side-by-Side (Lado a lado).

## 11. Colocando el electrodoméstico en la cavidad de instalación



### CUIDADO



Tenga cuidado al empujar el electrodoméstico al interior de la cavidad. No dañe la tubería de agua o el cable de alimentación sujetos al suelo.

- i** Si el piso o el electrodoméstico es inclinado respecto de la cavidad de instalación, ajuste las ruedas ajustables en altura, antes de introducir el electrodoméstico en la cavidad.
- ❑ Conecte el enchufe en el tomacorriente.

- i** En caso de instalación Side-by-Side (Lado a lado), debe conectarse a cada electrodoméstico en un tomacorriente individual.

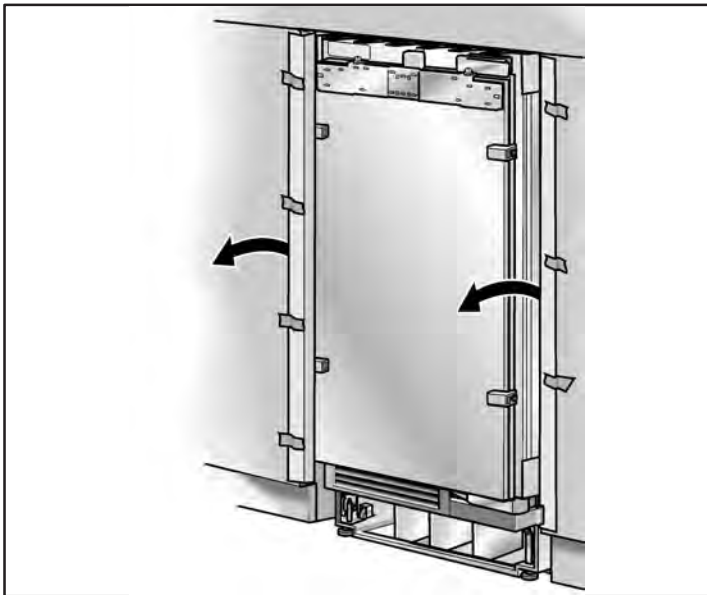


- ❑ Cuidado de no dañar el cable de alimentación.  
Sujete un pedazo de hilo en el medio del cable, llevándolo hacia delante debajo del electrodoméstico. Cuando introduzca el electrodoméstico, tire el cable hacia delante.

o bien

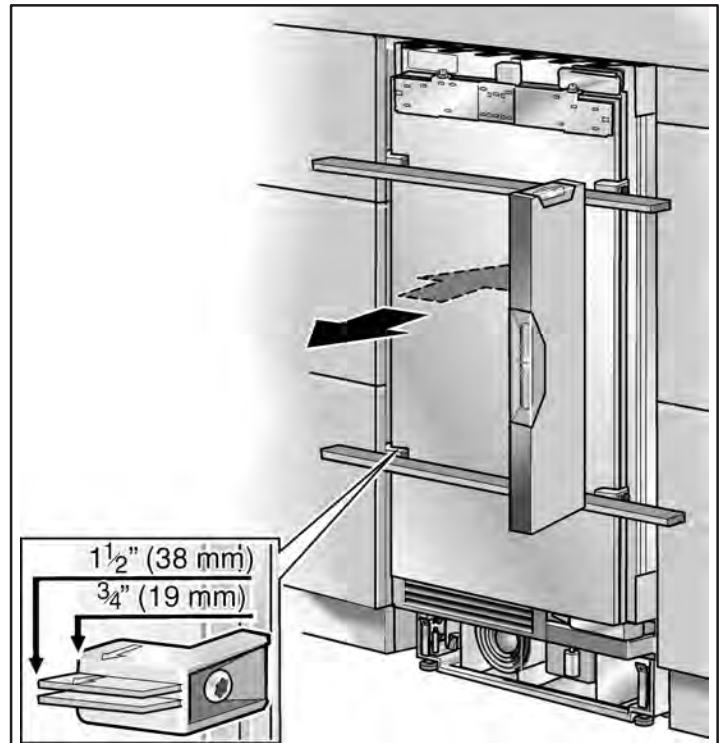
Pegue el cable mediante cinta adhesiva en el suelo detrás del electrodoméstico a una distancia aprox. de 15" (380 mm) de la pared posterior de la cavidad.

- ❑ Empuje cuidadosamente el electrodoméstico hacia el interior de la cavidad, hasta que las ruedas de altura ajustable se traben en los soportes antivuelco.



- ❑ Quitar la protección para los bordes.

## 12. Instalación y alineación del electrodoméstico



- ❑ Alinee el electrodoméstico con los frentes de los muebles.

Coloque el nivel de marcar o las piezas auxiliares para la instalación sobre la puerta.

- i** La piezas auxiliares sobre la puerta fueron diseñadas para un espesor total de las puertas de los muebles:
  - 3/4" (19 mm)
  - 1 1/2" (38 mm)

Tenga siempre en cuenta los espesores eventualmente diferentes de los frentes de los muebles que se sujetarán.

Las ruedas de altura ajustable tanto del frente como de la parte posterior, pueden ajustarse desde el frente.

Frente: llave de boca de 1/2" (SW 13)

Fondo: destornillador en cruz 5/16" (8 mm) con vástago flexible.

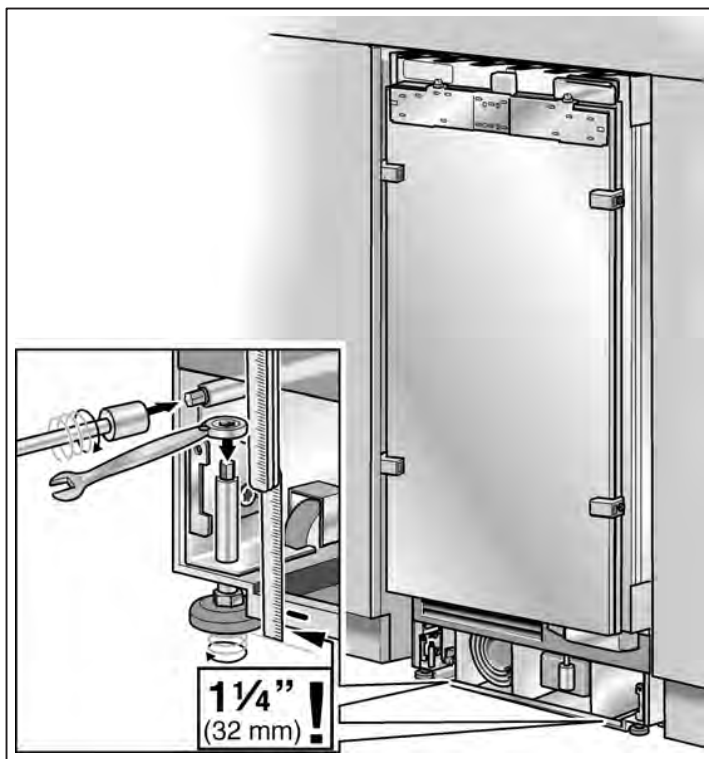


**CUIDADO**



¡Nunca utilizar un destornillador a batería!

Como medida sugerida para el ajuste de la altura, se ha practicado una marca en la pata del equipo. Durante el ajuste, esta marca debe ajustarse esta marca a una altura de 1 1/4" (32 mm) sobre el nivel del suelo.



- ❑ Desenrosque las patas de altura ajustable hasta que la marca en la base logre las medidas indicadas (1 1/4"/32 mm).

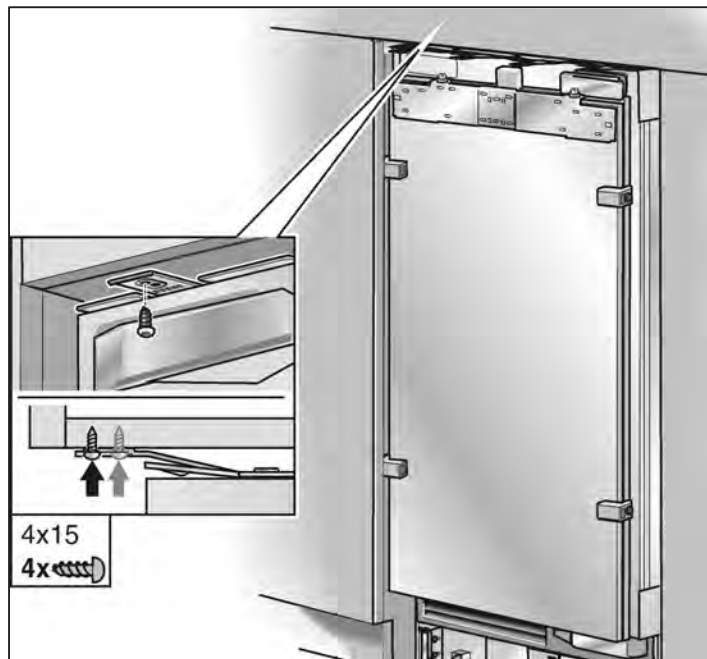
**i** Es sumamente importante cumplir con estas medidas, para lograr una buena alineación de los frentes de los muebles.

- ❑ Alinee los frentes de los muebles con el nivel de agua.

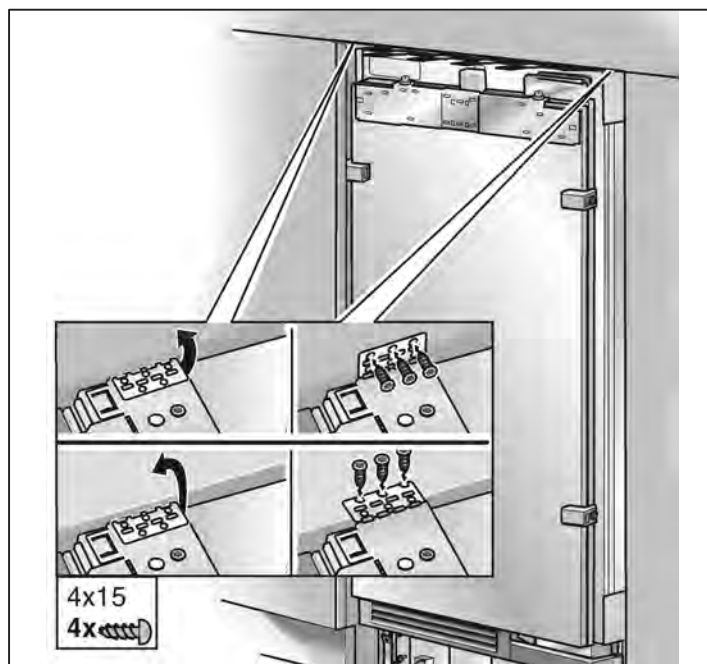
**i Nota**

- ¡No gire o presione el electrodoméstico dentro de la cavidad!  
Cuando desenrosque las patas de altura ajustable, proceda de modo gradual: alterne siempre entre la derecha y la izquierda, repitiendo el proceso alternativamente.
- El ajuste de las patas posteriores se facilita si se descarga la parte posterior del equipo.
- Si utiliza una viga de madera como dispositivo antivuelco alternativo, según se describe en el punto 6 de este manual de instalación, rote el electrodoméstico totalmente hacia la viga de madera.

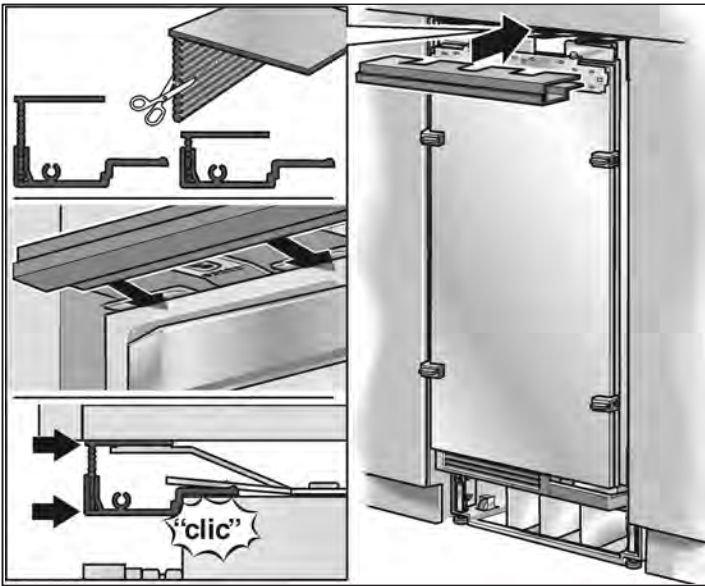
### 13. Sujutando el electrodoméstico a la parte superior de la cavidad



- ❑ Atornille las placas de las eclisas de sujeción (superiores) al mueble o adorno superpuesto.



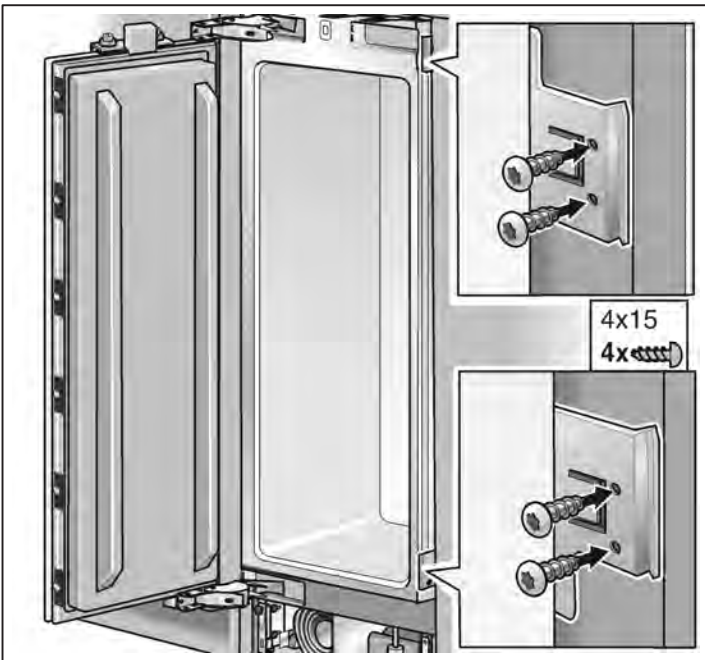
- ❑ Atornille las placas de las eclisas de sujeción laterales dependiendo de las condiciones de instalación. Si no hay espacio o solamente un espacio reducido, no es necesario fijar las eclisas.
- ❑ Si en la parte superior del electrodoméstico existe un espacio mayor, es indispensable montar una viga de madera de medidas adecuadas, libre de juego sobre el equipo.



- ❑ Sujete el listón de cobertura en la placa de montaje (arriba).

¡Corte el listón superior a la altura adecuada!

## 14. Sujeción del electrodoméstico individual en los laterales de la cavidad



- ❑ Atornille las eclisas laterales a los muebles o adornos laterales (electrodoméstico individual exclusivamente).

## 15. Conexión del agua al electrodoméstico

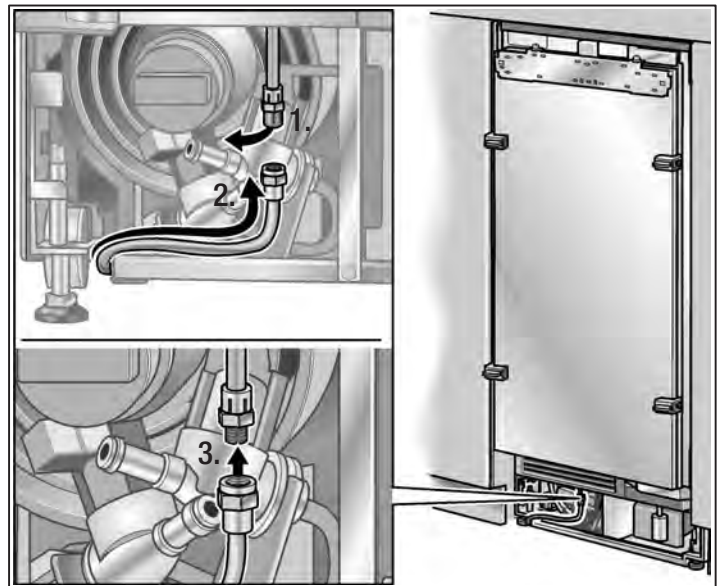
- i** Cuando conecte la tubería de agua a la válvula solenoide del electrodoméstico, siga las instrucciones provistas por el fabricante conjuntamente con el kit de montaje del generador de hielo que se incluyen en este manual.



### ¡CUIDADO!



Quando conecte la tubería de agua, no la retuerza. De lo contrario existe el riesgo que se produzcan pérdidas de agua. Utilice los elementos auxiliares para el doblado.



- ❑ Quite la capa de la conexión del electrodoméstico ①.
- ❑ Doble la tubería de agua de acuerdo con la ubicación de la conexión del electrodoméstico ②.
- ❑ Empuje la tuerca de unión, sellando la unión sobre la tubería de agua.
- ❑ Empuje el extremo de la tubería de agua, hasta que penetre en la conexión del electrodoméstico y enrosque la tuerca de unión ③. Ajuste con la mano.
- ❑ Ajuste la tuerca de unión mediante la llave de boca. ¡No fuerce la rosca!
- ❑ Abra la válvula de cierre y la llave general. Controle la válvula de cierre y la conexión en el electrodoméstico, para localizar eventuales pérdidas.



## 16. Sujeción del panel de protección

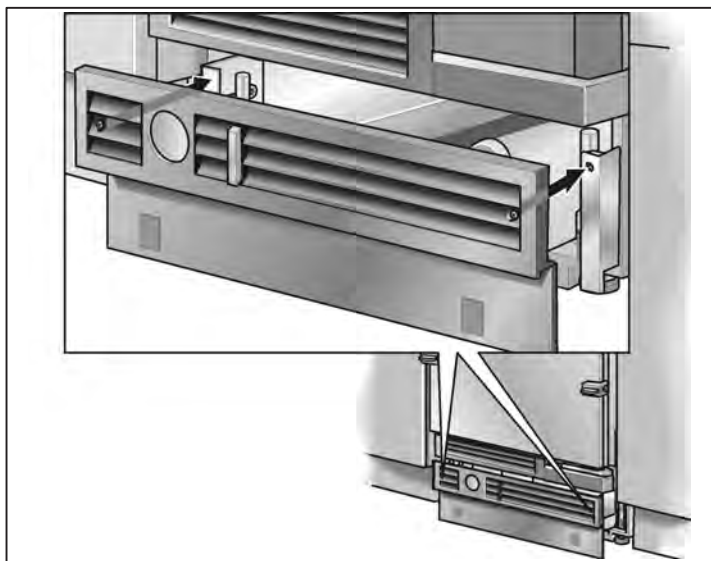


### CUIDADO

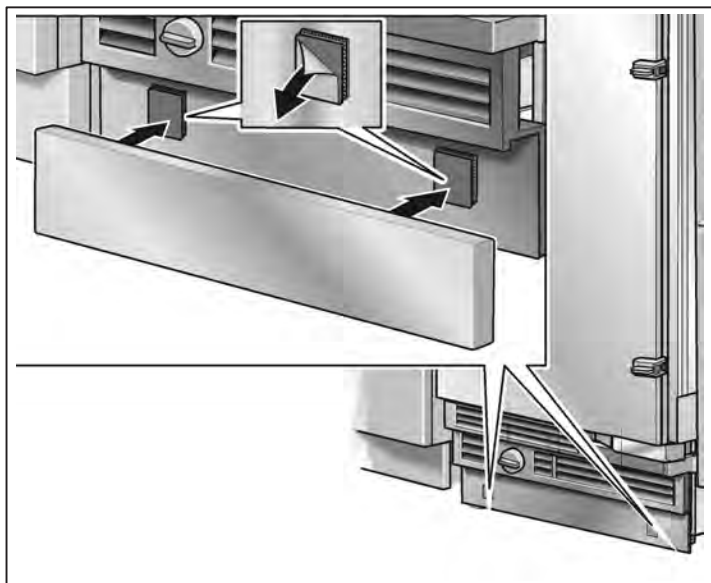


La altura máxima del panel de protección sobre el suelo es de 4". No obture las aberturas de ventilación en el base del panel. Existe riesgo de daños en el electrodoméstico.

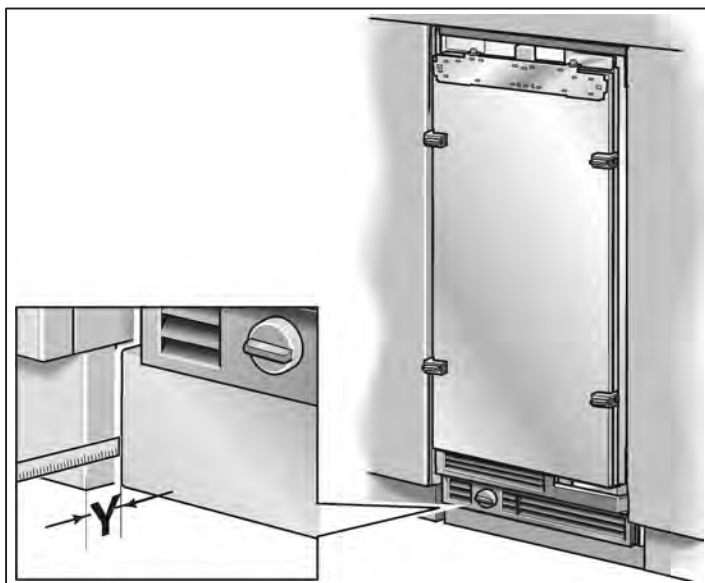
- ❑ Si hace falta, corte el panel de protección a la longitud necesaria.



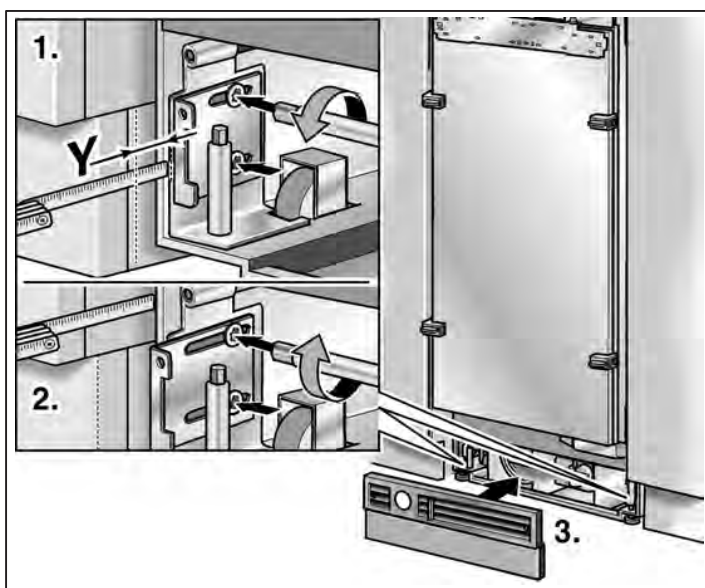
- ❑ Monte el panel base en el electrodoméstico.



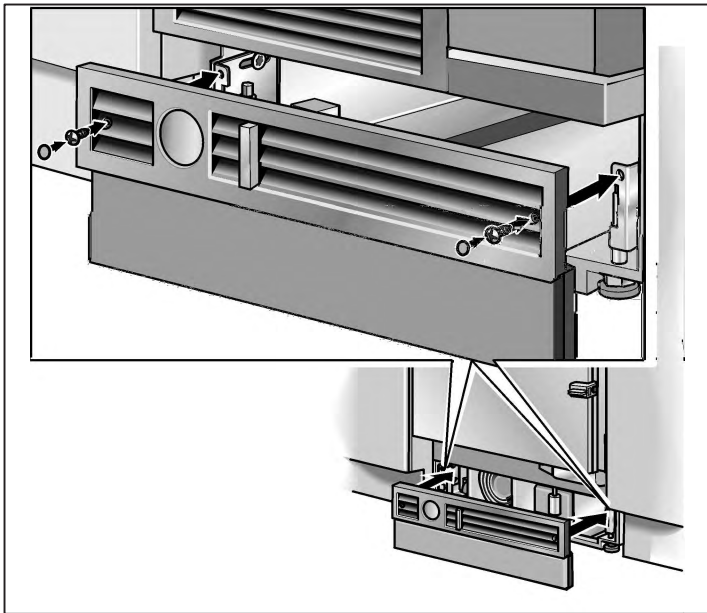
- ❑ Quite la lámina de protección de la almohadilla adhesiva del Velcro.
- ❑ Coloque el panel de protección en el panel base, presionando firmemente.



- ❑ Aplique el panel base (sin atornillar) y mida la diferencia Y entre el panel base y el panel de protección del mueble adyacente.
- ❑ Quite el panel base.
- ❑ Afloje los soportes de sujeción del panel base y empuje hasta el fondo.



- ❑ Extraiga las mordazas en la medida Y determinada.
- ❑ Atornille las mordazas firmemente.



Monte el panel base.

**i** Si hace falta, puede atornillar el panel de protección al panel base. Existen perforaciones para los tornillos en el panel base, cerca de los Velcros.

## 17. Puesta en marcha del equipo

A fin de garantizar la exactitud de los pasos a realizar a continuación ya que tendrán influencia en la imagen de apariencia de todo el frente de la cocina, ahora debe ponerse en marcha el equipo.

- Abra la puerta del electrodoméstico.
- Accione el pulsador POWER.

Únicamente para equipos que disponen de una conexión de agua:

### **i** **NOTA** **!**

A fin de evitar eventuales daños debidos al agua que pueda surgir en caso de una avería de la tubería correspondiente, debe dejarse todavía cerrado el grifo del agua.

## 18. Preparación de las puertas del mueble

### **!** **IMPORTANTE** **!**

Si realiza cualquier trabajo en las puertas de los muebles, tenga siempre en cuenta:

- atornille siempre en el material que mejor soporta la carga en la puerta del mueble.
- seleccione siempre una longitud de los tornillos que sea inferior al espesor de la puerta,
- nunca colocar tornillos en los paneles de las puertas, listones decorativos o similar,
- proteja las superficies de las puertas durante el trabajo, a fin de evitar daños.

El peso total del frente del mueble, no debe exceder los valores siguientes:

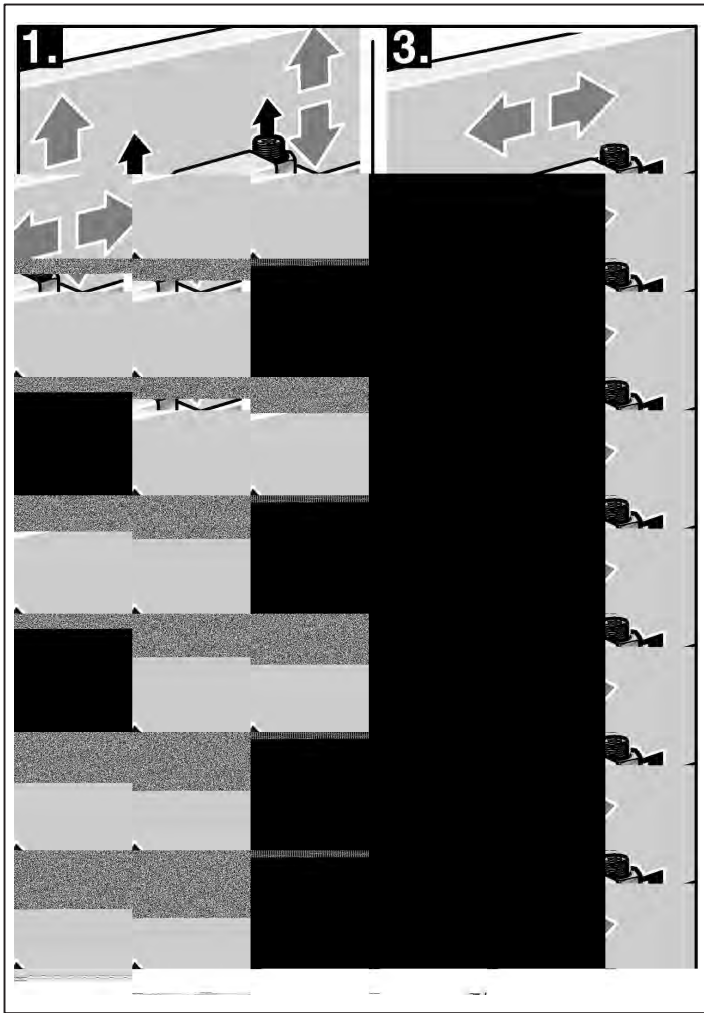
18"	37 lbs/17 kg
24"	50 lbs/23 kg
30"	64 lbs/29 kg

Los frentes de los muebles se sujetan a la puerta del electrodoméstico, mediante elementos o piezas de sujeción pertenecientes al electrodoméstico. Estas piezas de sujeción permiten ajustar con precisión la puerta del mueble, dándole la firmeza necesaria.

Función de diversas partes:

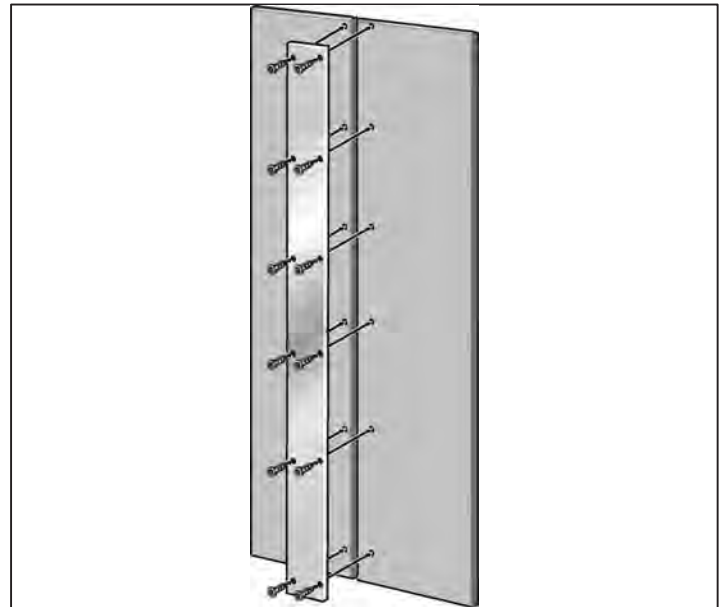
1. Perno de doble rosca en el riel de ajuste: para el ajuste vertical de la puerta del mueble.
2. Soportes laterales: para ajustar la profundidad del frente del mueble.
3. Tuercas sobre los pernos de doble rosca: para sujetar el frente del mueble y fin de evitar movimientos laterales.
4. Soportes inferiores: para sujetar el frente del mueble y fin de evitar movimientos laterales.





En el caso de electrodomésticos de 30" y 36" de ancho, pueden sujetarse 2 puertas adyacentes una con otra, en vez de una puerta grande. Estas puertas deben conectarse mediante un listón metálico en la parte posterior.

Este listón metálico, puede adquirirse en el vendedor local como accesorio opcional. Consulte la sección «Accesorios opcionales» en página 97.



Cuando sujete el listón metálico a la puerta de los muebles, tenga en cuenta de usar los tornillos de la mayor longitud posible y la posición de las perforaciones. Atornille siempre en el material de mejor capacidad de carga de la puerta del electrodoméstico.

Nunca colocar tornillos en los paneles de las puertas, listones decorativos o similar.

**i** Si se coloca una sola puerta en electrodomésticos de 30" y 36", sujete la placa sándwich al riel de ajuste y trábela en la posición correcta.

## 19. Carga admisible en la puerta del electrodoméstico

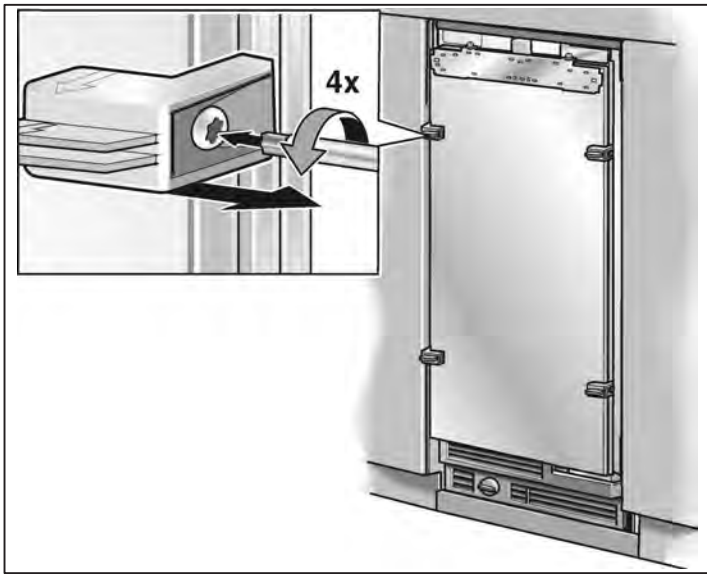
A fin de lograr una exactitud máxima en las medidas de las ranuras de las puertas de los muebles, se recomienda aplicar pesas en las gavetas de la puerta.

Se recomienda:

Electrodoméstico de 18"	22 lbs/10 kg
Electrodoméstico de 24"	33 lbs/15 kg
Electrodoméstico de 30"	44 lbs/20 kg

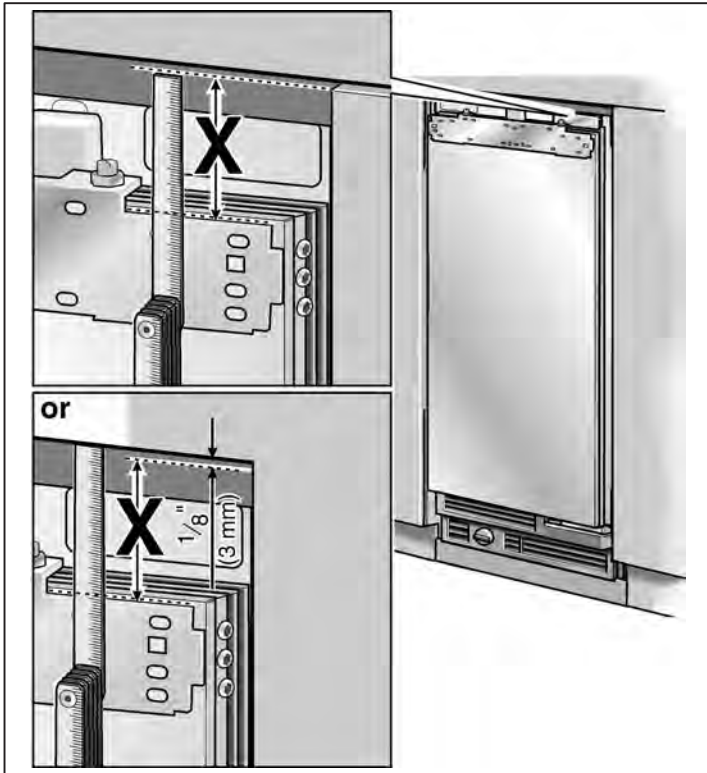
## 20. Montaje del riel de ajuste en la puerta del mueble

- i** El riel de ajuste es el elemento más importante para el ajuste del frente del mueble.

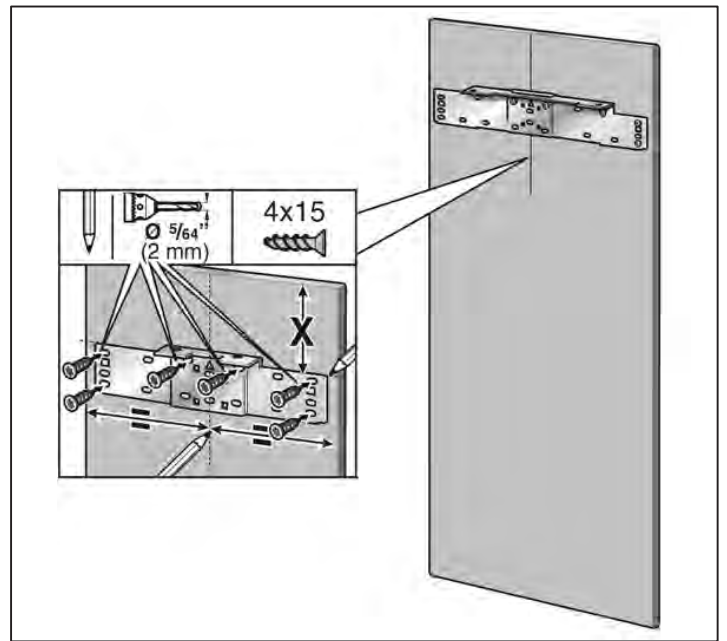


- ❑ Desatornille el soporte de instalación de la puerta del electrodoméstico.

- i** Los elementos auxiliares para el posicionamiento son necesarios para el montaje ulterior.



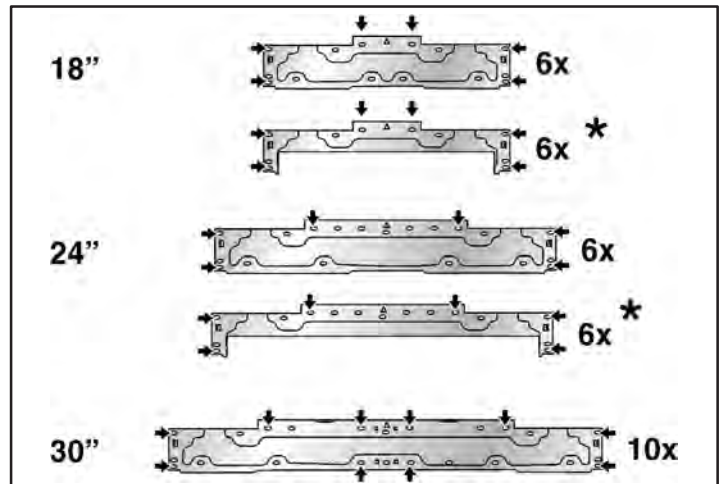
- ❑ Mida la distancia **X** entre el riel de ajuste y la parte superior del mueble.



- ❑ Marque la medida **X** sobre la parte posterior de la puerta del mueble.
- ❑ Determine y marque el centro de la puerta del mueble.
- ❑ Afloje las 2 tuercas y quite el riel de ajuste.
- ❑ Aplique el riel de ajuste, alineando a lo largo de las marcas. Marque los orificios.
- ❑ Perfore en estas marcas.
- ❑ Atornille el riel de ajuste firmemente.

**i** **Nota**

- Sujete el riel de ajuste con un mínimo de 6 tornillos a la puerta del mueble. Debe insertarse un tornillo debajo de cada perno de doble rosca.

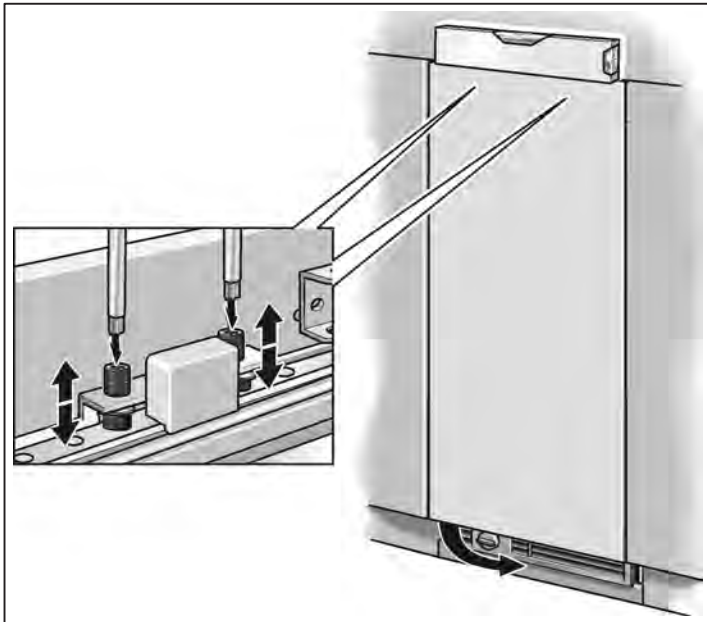


\* Conservador de vinos

- El riel de ajuste presenta una gran variedad de perforaciones, para cubrir las diversas posibilidades de puertas de los muebles. Atornille siempre en las partes donde la puerta del mueble presente la mejor capacidad de porte.

## 21. Sujeción y alineación de la puerta del mueble

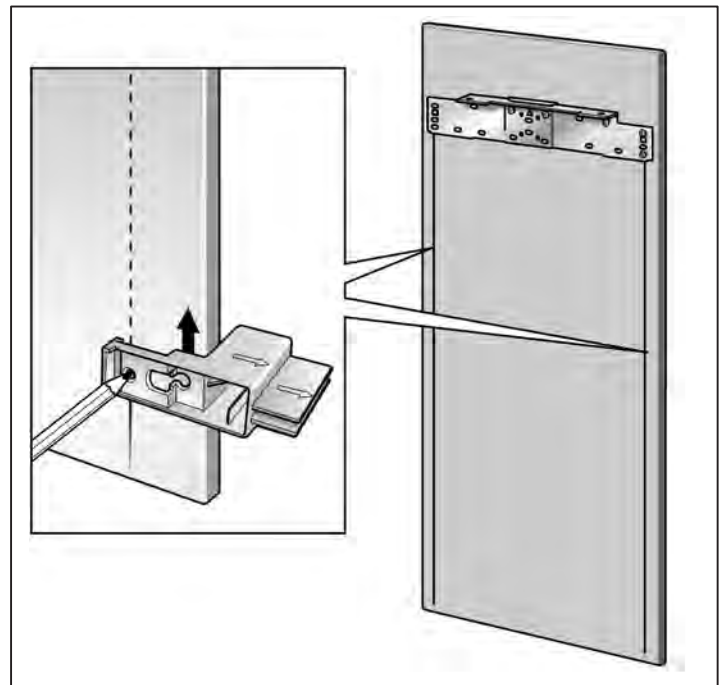
- i** Los pernos de doble rosca cumplen la función de ajustar la altura de la puerta del mueble.
- ❑ Cuelgue la puerta de los pernos de doble rosca.



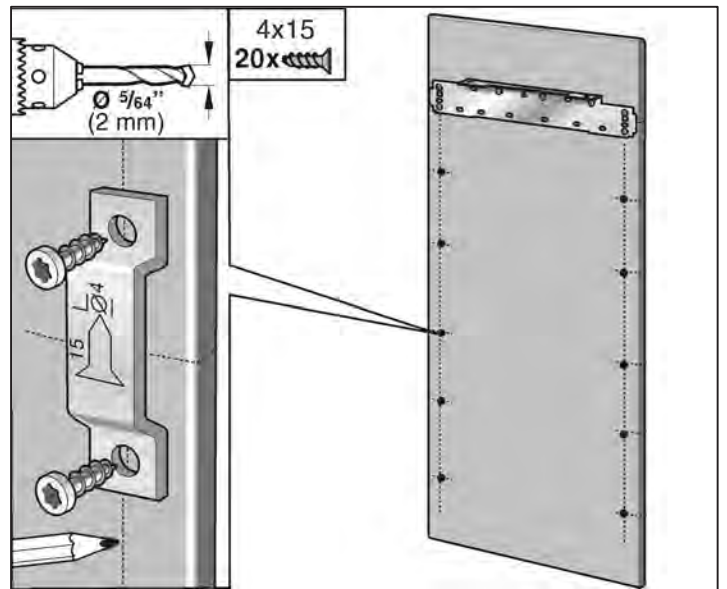
- ❑ Alinee la puerta mediante los pernos de doble rosca (destornillador Torx).



- ❑ Transfiera la posición de los tornillos centrales a través del borde exterior de la puerta del mueble, a la parte frontal del mueble, practicando una marca.
- ❑ Quite la puerta del mueble.



- ❑ Marque una línea vertical.
- ❑ Extienda las marcas de los orificios que acaba de hacer, a las marcas verticales mediante una escuadra.
- ❑ Marque y practique los orificios.

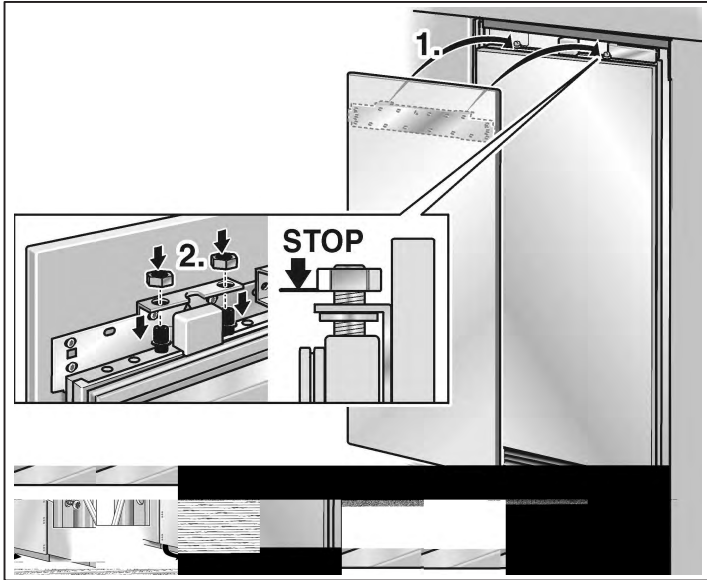


- ❑ Atornille las placas de sujeción (10 unidades)

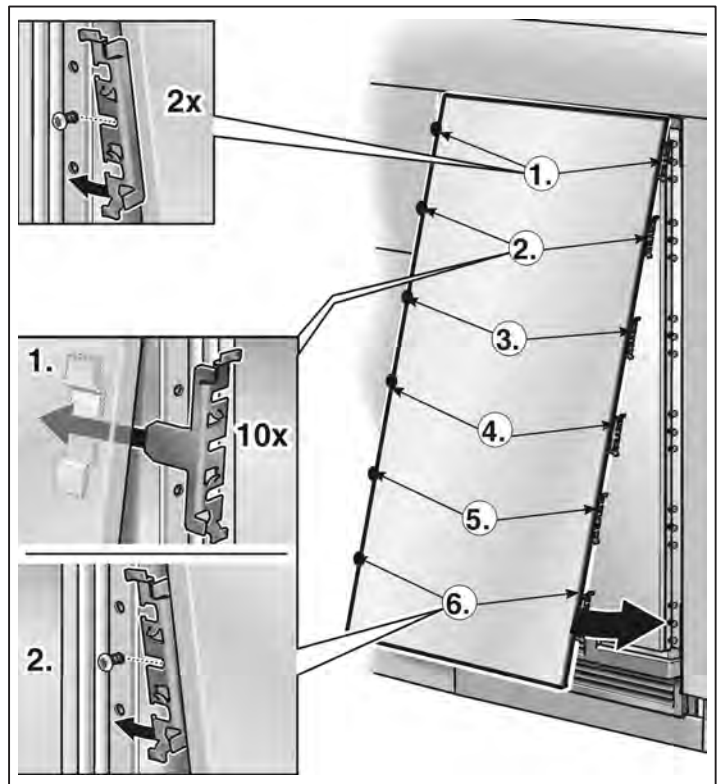
## 22. Sujeción de la puerta del mueble

### ! IMPORTANTE !

¡Atornille ahora las manijas del mueble que ha quitado anteriormente!



- ❑ Cuelgue la puerta con el riel de ajuste sobre los pernos de doble rosca.
- ❑ Enrosque las tuercas ligeramente en los pernos de doble rosca. ¡No las ajuste!
- ❑ Ajuste la puerta del mueble prolijamente. Para hacerlo, inserte los soportes directamente detrás de la manija en la placa de sujeción. Desplace el soporte hasta el tornillo en la puerta del mueble y sujete.  
¡Volver a desmontar el ángulo de sujeción una vez concluida la orientación!
- ❑ Orientar la puerta del mueble, controlando la medida de la ranura en todo el perímetro. Desplazar el riel de ajuste hacia la izquierda o derecha, según la necesidad.

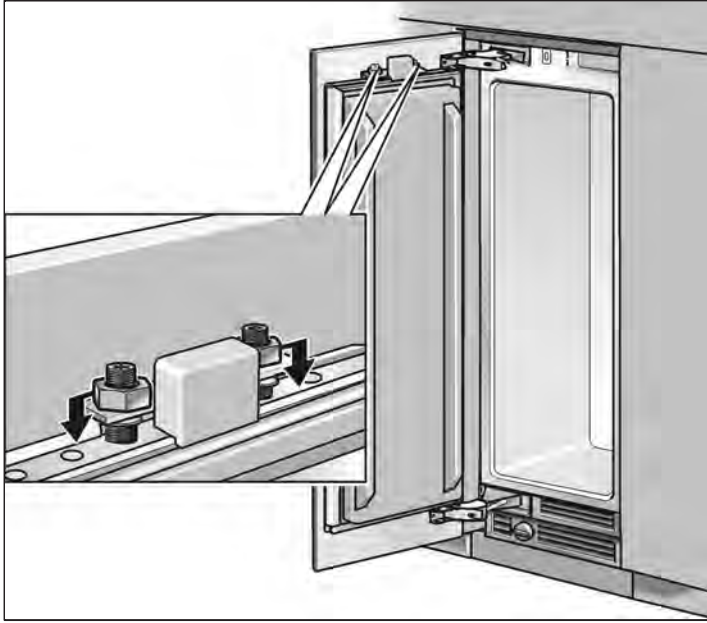


- ❑ Sujete los soportes:
  - Levante un poco la puerta, alejándola de la puerta del mueble.
  - Desplace los soportes laterales ((1.)) en la izquierda y la derecha sobre los tornillos.
  - Inserte los soportes ((2.)) en la izquierda y la derecha en la placa de sujeción y desplace sobre los tornillos. Baje lentamente la puerta.

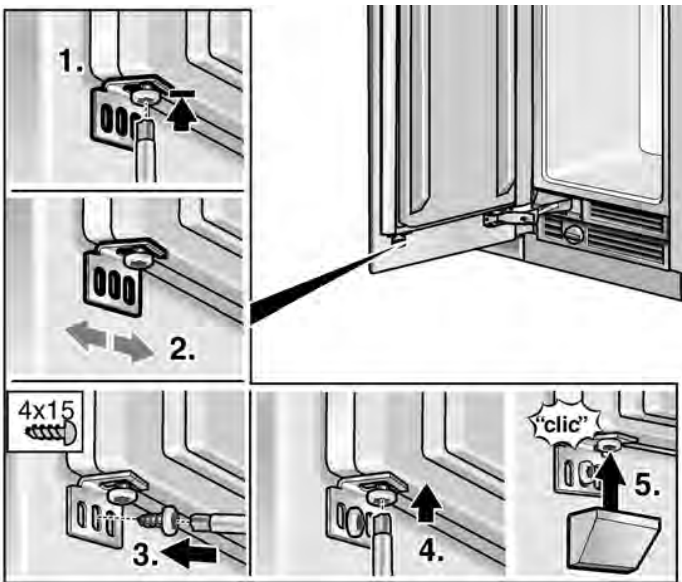
Continúe con el proceso hasta haber insertado los últimos soportes ((6.)) en la placa de sujeción y estén posicionados sobre los tornillos.
- ❑ **i** Los soportes superiores ((1.)) en la derecha y la izquierda) no poseen piezas laterales para insertar en la placa de sujeción.
- ❑ Cierra la puerta y controle que la profundidad del frente del mueble esté alineado con los frentes adyacentes. Corrija si hace falta.
- ❑ Ajuste los tornillos de los soportes, a fin de fijar la profundidad de alineación.



- ❑ Cierre la puerta y controle la alineación. Corrija golpeando suavemente en el borde de la puerta con la mano.



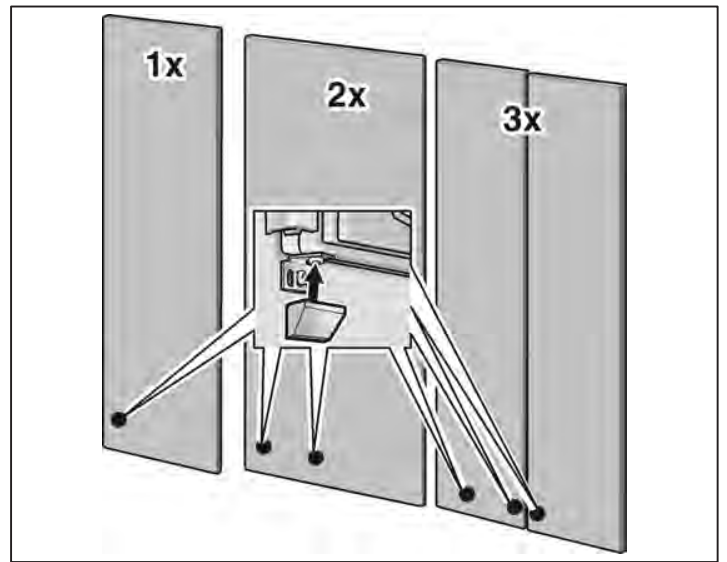
- ❑ Ajuste las tuercas en el riel de ajuste. Esto fijará el ajuste lateral de la puerta.



- ❑ Atornille los soportes inferiores (correspondiente al juego de elementos auxiliares). ¡Practique orificios preparativos en la puerta del mueble!

Los soportes inferiores ajustan la alineación lateral de la puerta.

1. Afloje los tornillos.
2. Controle la posición lateral de la puerta.
3. Atornille los tornillos de madera.
4. Ajuste los tornillos.
5. Coloque la cubierta sobre los soportes.



- ❑ La cantidad de soportes inferiores depende del ancho y el diseño de la puerta del mueble.

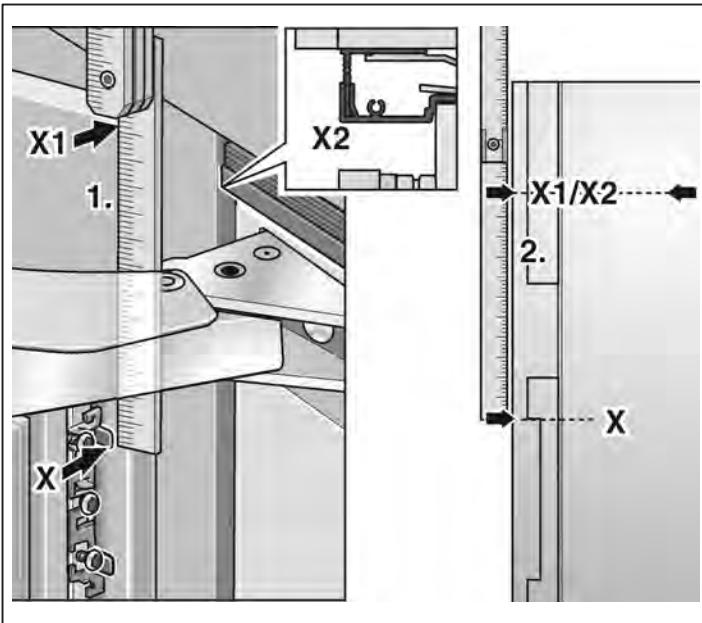
## 23. Corte de la protección para los dedos

### ! IMPORTANTE !

La protección para los dedos debe cubrir la totalidad de la altura de la puerta. En caso de puertas que excedan la altura estándar, utilícese la protección para los dedos extra larga (ver "Accesorios opcionales").

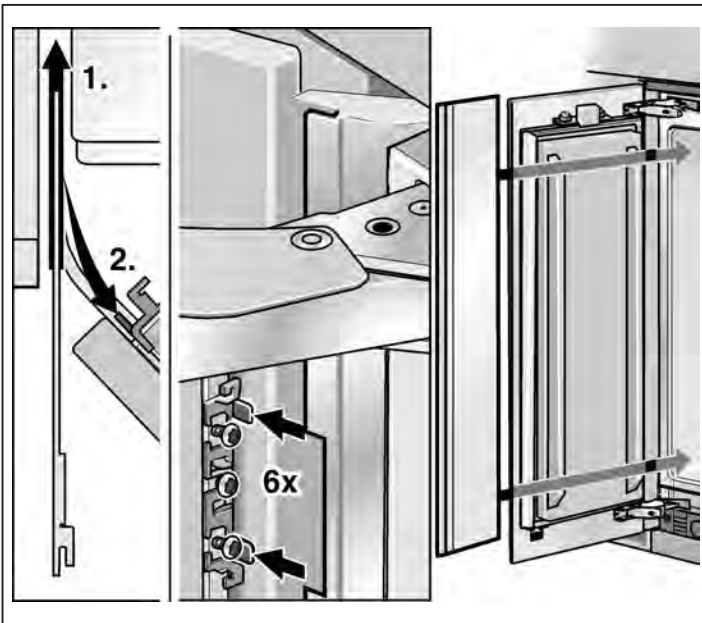
- ❑ Sostener la protección para los dedos lateralmente contra la puerta abierta.
- ❑ Las entalladuras en la protección para los dedos, deben encontrarse exactamente a al altura de las piezas de sujeción (soportes)!



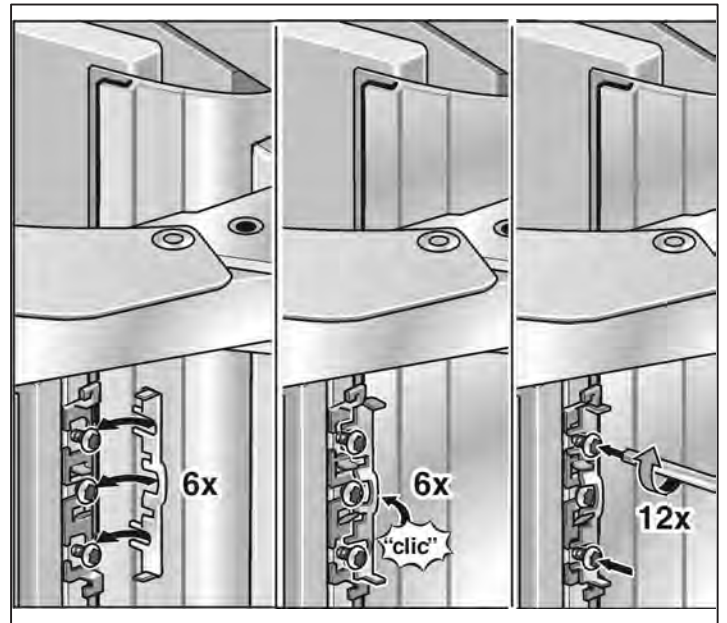


- ❑ Transportar las medidas de la puerta a la protección para los dedos.
- ❑ Corte la protección para los dedos a la longitud requerida, mediante una regla de acero y un cuchillo.

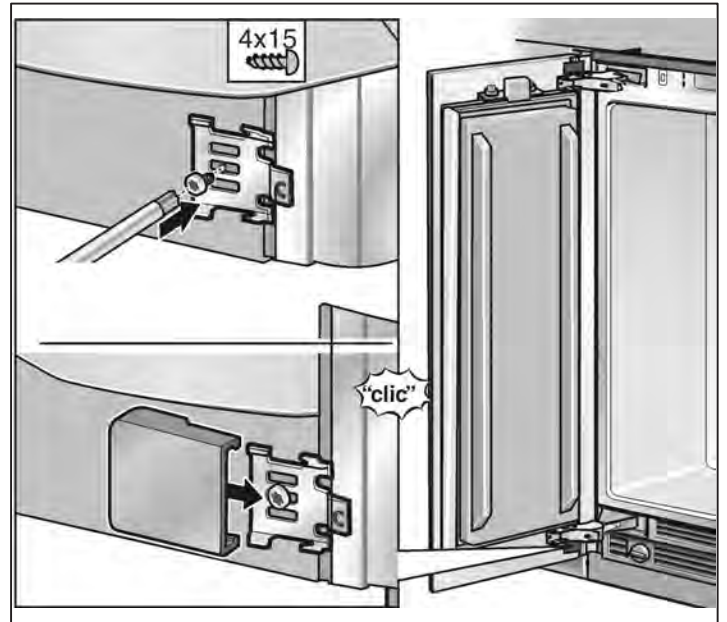
## 24. Montaje de la protección para los dedos



- ❑ Inserte la protección para los dedos en el espacio comprendido entre el electrodoméstico y el mueble adyacente (1.).
- ❑ Aprisione la protección para los dedos debajo de los soportes (2.).

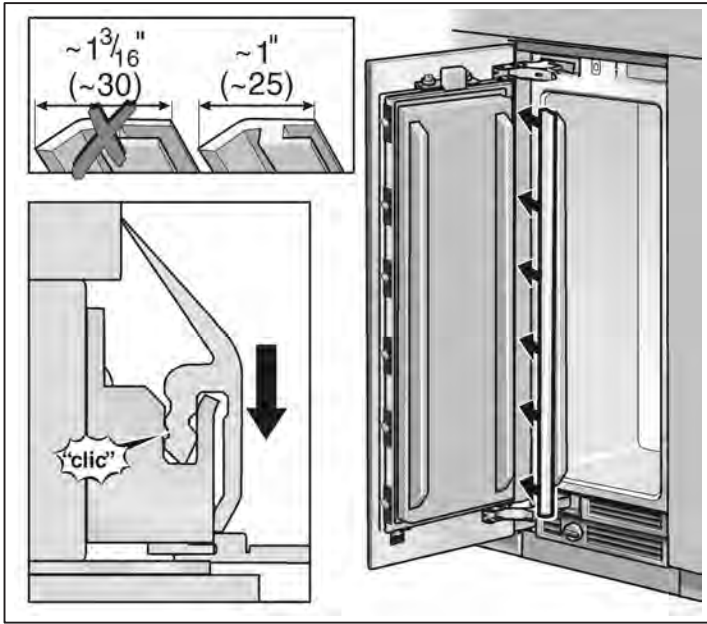


- ❑ Empuje la cubierta sobre el soporte y atornille firmemente.

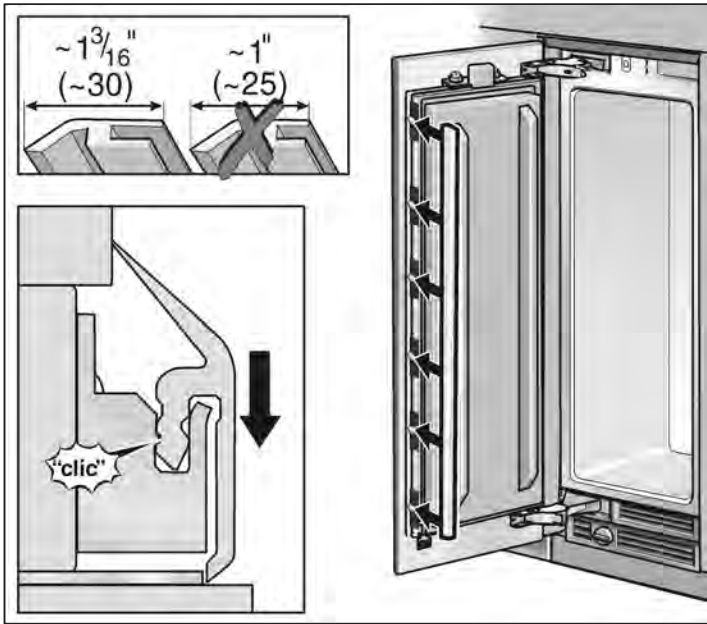


- ❑ Monte la protección para los dedos debajo de la bisagra inferior mediante el ángulo. Desplace la cubierta sobre el ángulo.

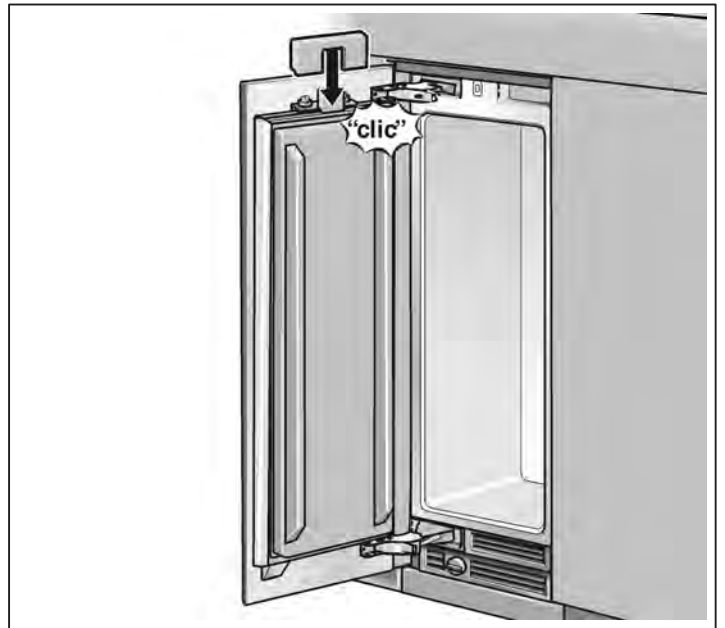
## 25. Montaje de las cubiertas



- ❑ Coloque el listón de cobertura vertical sobre la protección para los dedos.
- i** La pieza lateral del listón de cobertura es más corto del lado que fue sujeta la protección para los dedos.

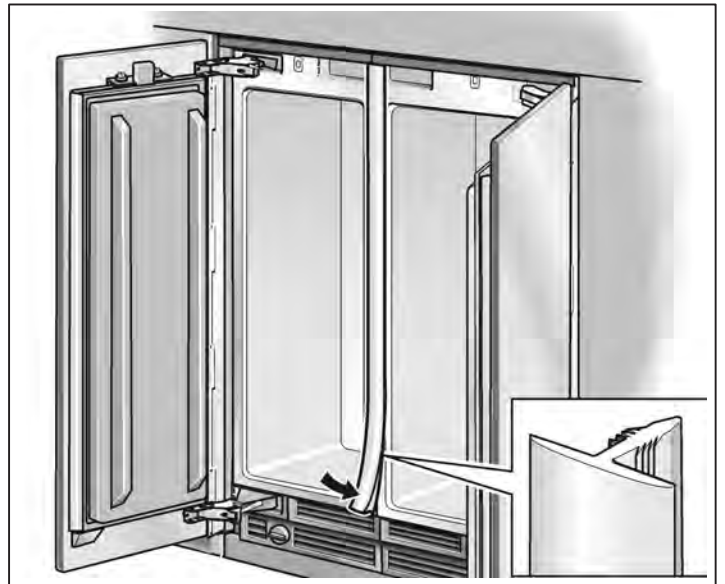


- ❑ Coloque los listones de cobertura en la puerta.



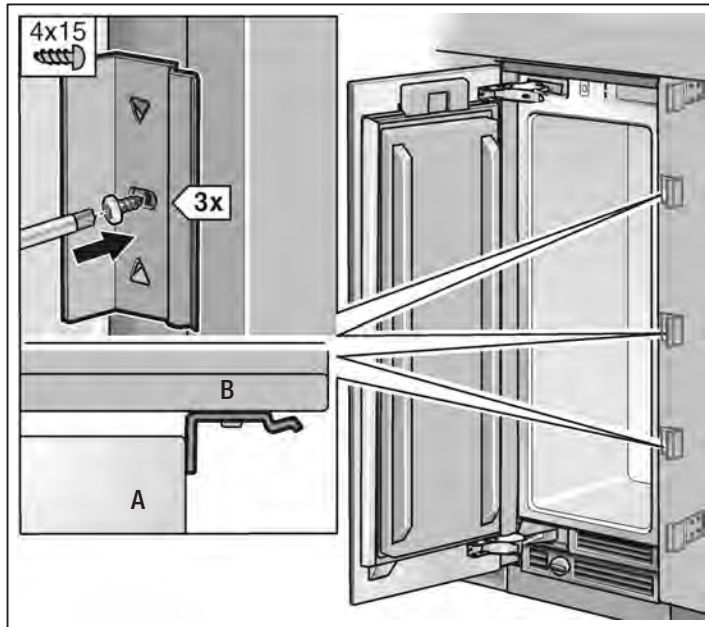
- ❑ Monte la cubierta para el conmutador de la luz.
- i** La cubierta para los electrodomésticos de 24", 30" y 36" pueden atornillarse en la puerta.

### Únicamente en caso de instalación Side-by-Side (Lado a lado):



- ❑ Inserte el listón de cobertura en el espacio comprendido entre los electrodomésticos.

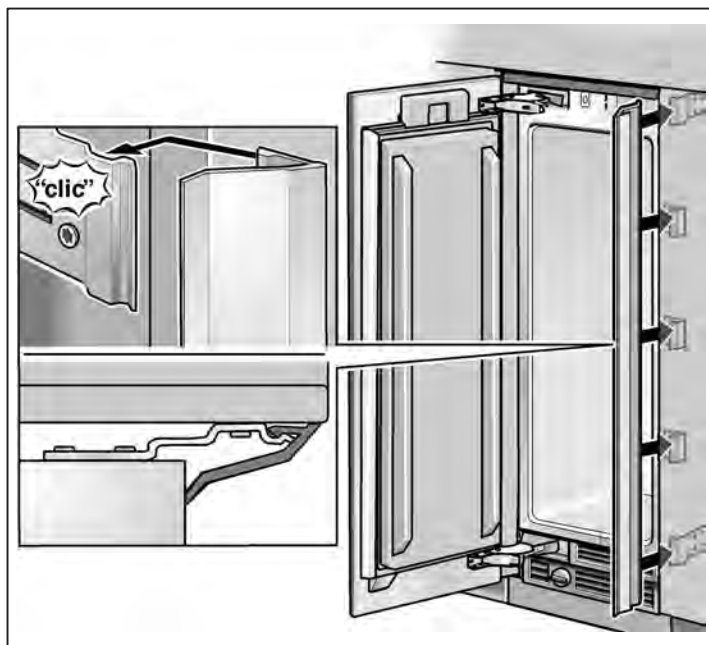
Montaje individual únicamente:



A Electrodoméstico

B Mueble

- Atornille los soportes (laterales) que sujetarán el listón de cobertura.

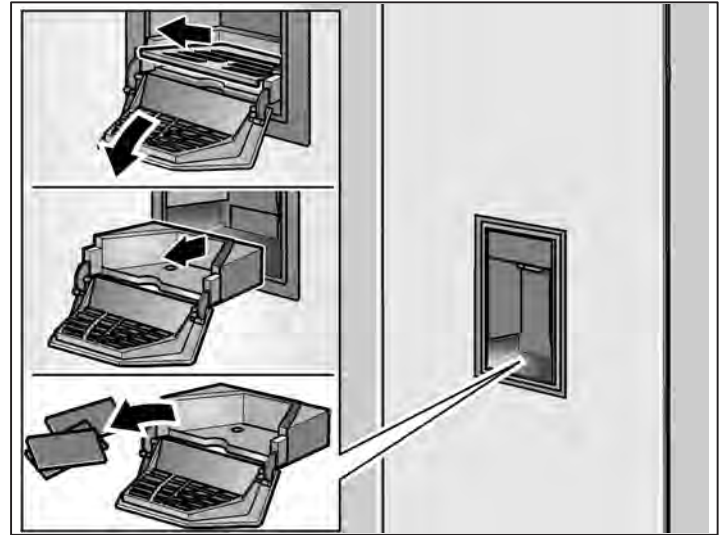


- Coloque el listón de cobertura en el espacio comprendido entre el electrodoméstico y el panel de madera.

## 26. Orientación del dispensador de hielo y agua

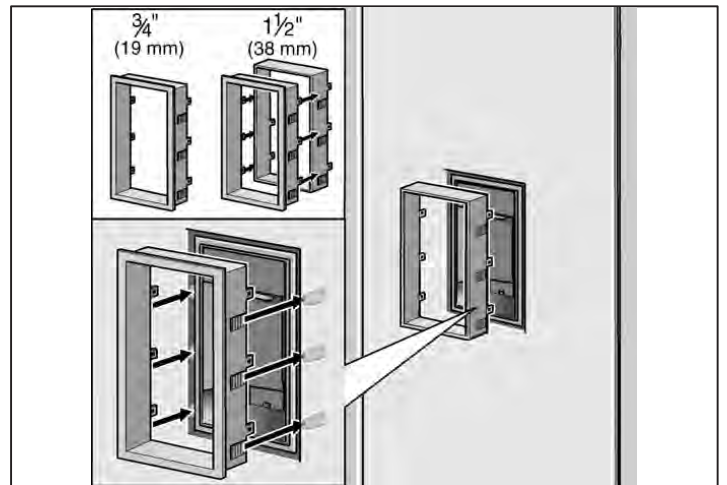
(solamente para unidad de congelación con dispensador de hielo y agua)

El dispensador de hielo y agua puede orientarse dentro de la escotadura de la puerta del mueble en cuanto a su profundidad. Con ello se permite una orientación paralela a la puerta del mueble, a fin de lograr una presentación óptica general óptima.



- Quite el estante.

- i** Sugerimos montar el marco antes de sujetar la unidad expendedora.



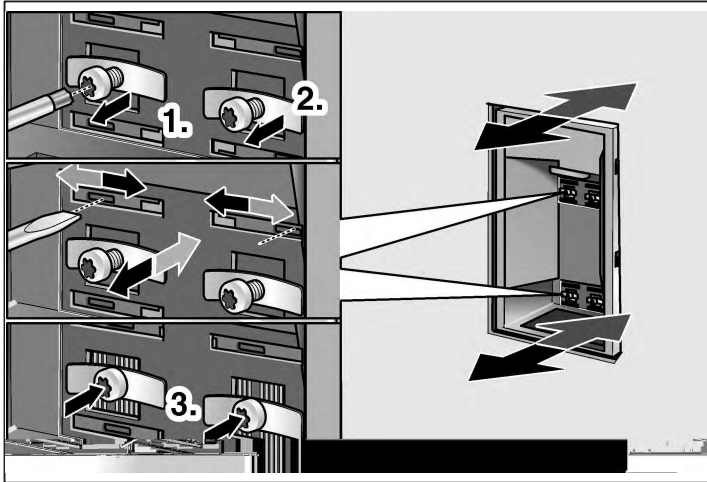
Para puertas de mueble con un espesor de  $\frac{3}{4}$ " / 19 mm:

- Desplazar el marco de cobertura sobre el dispensador de hielo y agua presionándolo hasta que el marco quede nivelado respecto de la superficie de la puerta.

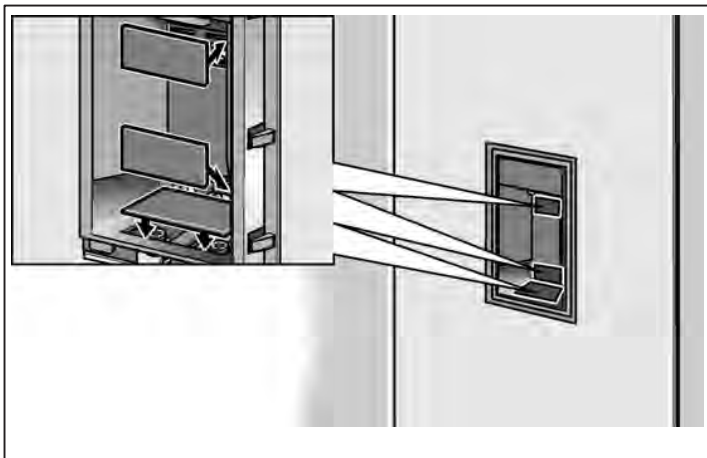


Para puertas de muebles con un espesor de 1 1/2" / 38 mm:

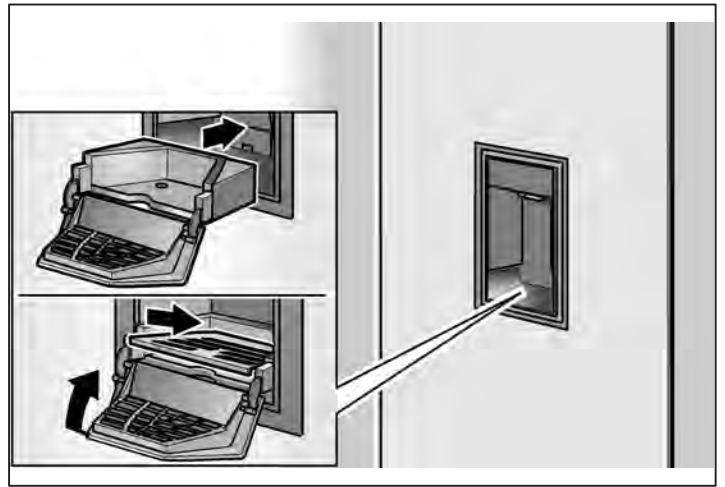
- ❑ Colocar el marco de prolongación sobre el marco de cobertura, presionándolo.
- ❑ Desplazar el marco de cobertura sobre el dispensador de hielo y agua presionándolo hasta que el marco quede nivelado respecto de la superficie de la puerta.



1. Aflojar los tornillos en las 4 prensas.
2. Introducir el destornillador plano en una de las 4 ranuras y desplazar los tacos lateralmente, de modo que el dispensador presente una distancia pareja respecto de la puerta del mueble.
3. Volver a ajustar los tornillos en las prensas.



- ❑ Volver a colocar la cobertura.



- ❑ Colocar el depósito.

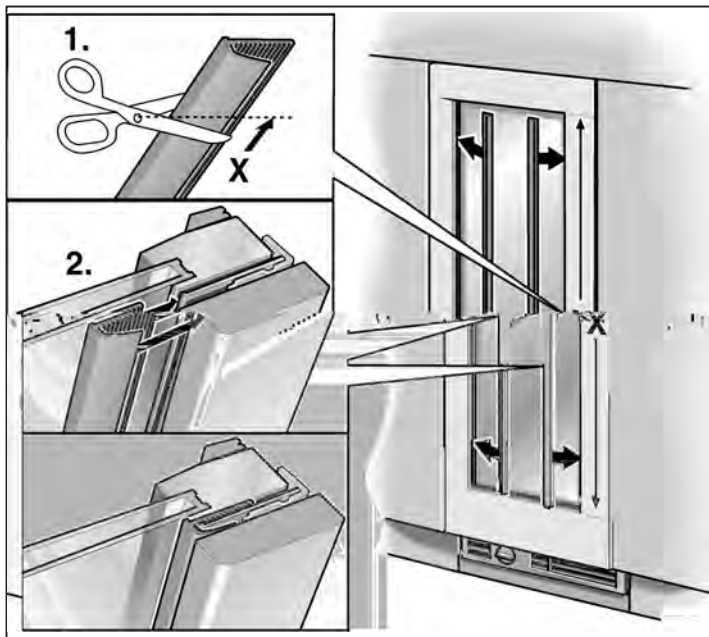
## 27. Colocación del cuadro de cobertura y del depósito

(solamente para unidades con dispensador de hielo y agua)

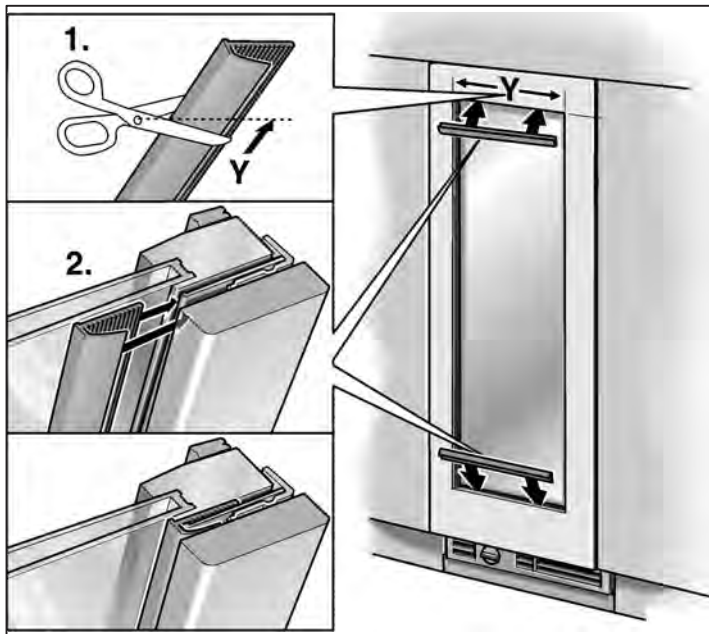
Advertencia:



En caso de una anchura reducida del marco, puede ser necesario cortar los lados del listón de cobertura. A fin de determinar la longitud de los lados, se han adicionados piezas de prueba al listón de cobertura.



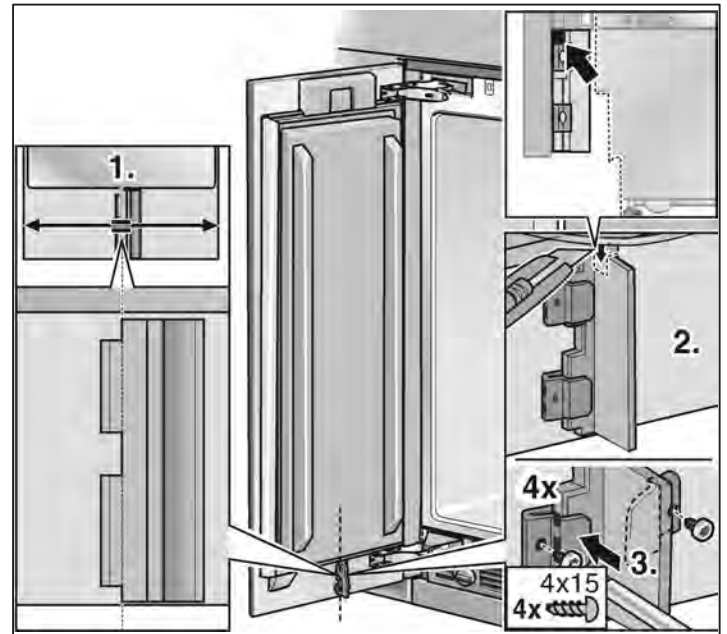
- ❑ Desplazar los listones de cobertura en los laterales dentro del espacio comprendido entre la puerta del mueble y el vidrio.
- ❑ Cortar a la longitud necesaria, el listón de cobertura en los lados cortos.



- ❑ Desplazar el listón de cobertura dentro del espacio comprendido entre la puerta del mueble y el vidrio.

## 28. Montaje del separador de aire

Atornille el separador de aire a la puerta del mueble a fin de separar el aire de entrada y salida.



- ❑ Corte el separador de aire a la longitud necesaria.
- ❑ Sujete el separador de aire mediante las dos grapas. Oriente el separador de aire según la línea central de la puerta, como se muestra en la figura.
- ❑ Cerrar la puerta lentamente. Controlar si el escape de aire colisiona con partes de la rejilla de ventilación. Si hiciera falta, cortar aproximadamente  $1/4$ " / 6 mm del escape de aire.

### Para equipos con salida de agua helada:

- ❑ Debe practicarse un recorte en el separador de aire, a la altura de la manguera.

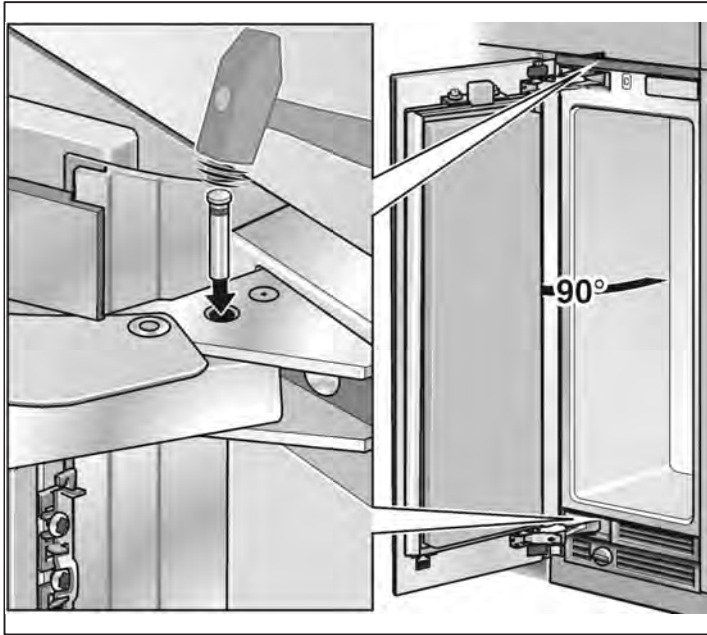


## 29. Ajuste del ángulo de apertura de la puerta

Dependiendo de las condiciones de instalación, puede ser necesario ajustar el ángulo de apertura de la puerta. En fábrica se ha ajustado un ángulo de apertura de 115°.

A fin de ajustar el ángulo de apertura a 90°:

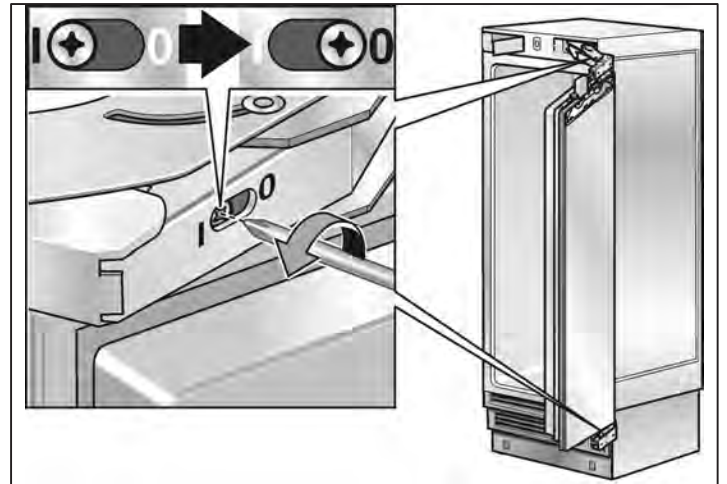
- ❑ Abrir la puerta a 90°.



- ❑ Introducir el perno limitador a través de las dos perforaciones ahora enfrentadas, golpeando con un martillo.

## 30. Cambio del muelle de la puerta

A fin de ajustar el muelle de la puerta.



- ❑ Girar del tornillo de ajuste mediante un destornillador para ranura en cruz.

I = aumenta la tensión del muelle.

O = disminuye la tensión del muelle.





Subject to modification.  
Sous réserve de modifications.  
Se reserva el derecho a efectuar modificaciones.



9000 222 918  
(8703)