

Thermador[®]

THE FREEDOM[®] COLLECTION - Refrigerators

Kitchen Design Quick Reference



CONTENTS

Contents	2
Preface	3
Installation Options	4
Appliance Dimensions (Single Door Models)	5
Appliance Dimensions (Bottom Freezer).....	6
Kitchen Design Basic Terms	7
Required Depth of Installation Cavity	8
Installation Cavity (Niche) Dimensions.	9
Cavity for Side-by-Side Installations	10
Appliance Door Panel Dimensions.....	11
Planning Example #1	12
Planning Example #2	13
Door Swivel Range	14
Installation requirements.....	15
Base area and upper valance design.....	17
Freedom Collection Appliance Overview	18
Appliance Specifications Overview	19
Accessories	20

PREFACE

This booklet is intended to be a quick reference for kitchen layout planning of refrigeration appliances using **Thermador**® FREEDOM COLLECTION modules.

FREEDOM COLLECTION

The **Thermador**® FREEDOM COLLECTION Refrigerators were designed to facilitate a complete range of new possibilities for your state-of-the-art kitchen design. All refrigerators are prepared for fully flush integration to the kitchen cabinetry.

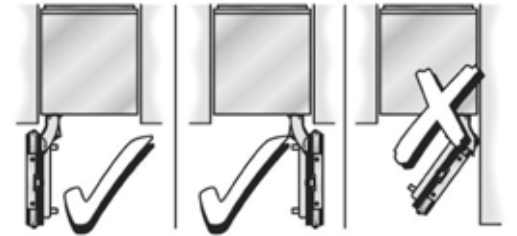
Fully embedded refrigeration is no longer a dream – With the FREEDOM COLLECTION it is now reality for refrigerators, freezers, bottom freezers and wine coolers !

All columns are stand alone independent units – use your imagination to integrate them into your kitchen as single columns or as side-by-side combination of any desired configuration. It's complete freedom of choice – and freedom of kitchen design.

INSTALLATION OPTIONS

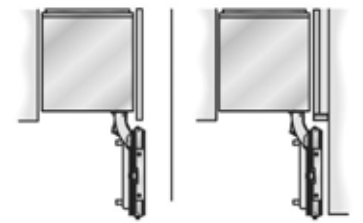
The FREEDOM COLLECTION offers you a variety of installation possibilities. In some instances, special accessories are required !

Individual column installations



At the end of a kitchen

Note: If one side of the appliance is visible, a decorative side panel must be used for covering it. This side panel must be properly affixed to the floor and room wall.



Side-by-Side installations (SxS)

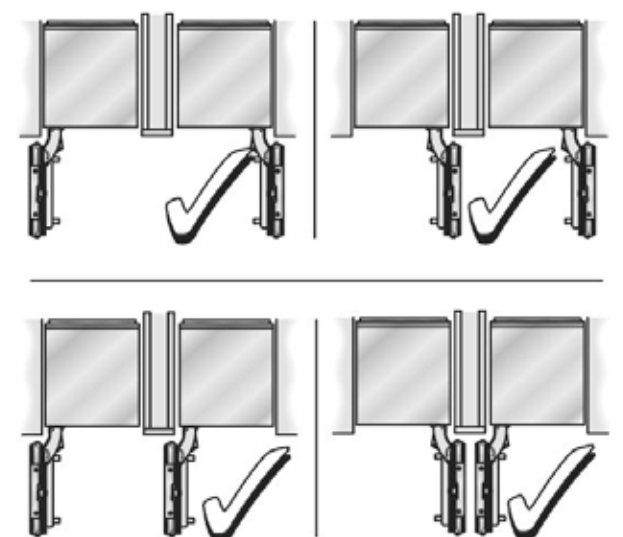
Note: The proper installation of any side-by-side two column combination requires a "sealing kit" (**BSEALKIT10**). It combines two individual units into a side-by-side unit.



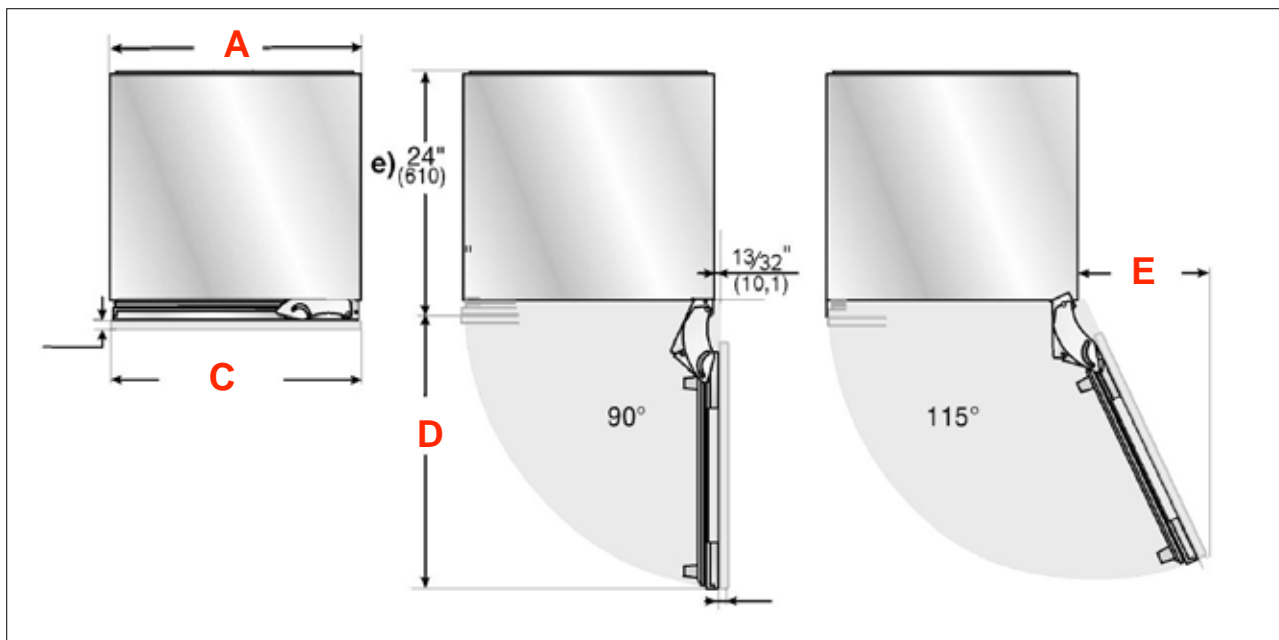
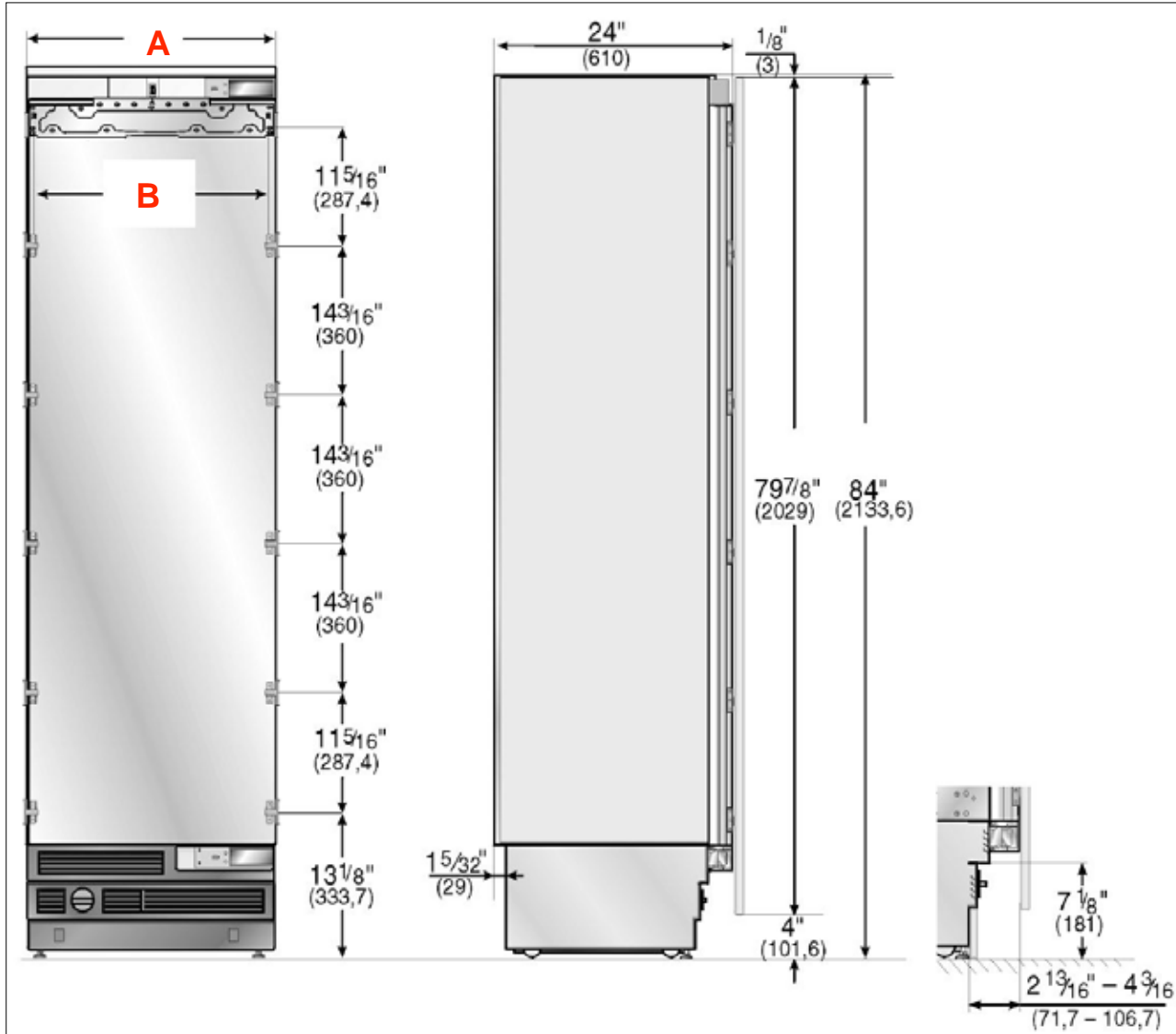
Multiple column installations with partition walls between

Note: If the thickness of a partition between two products is less than 6", then an „extreme combination kit“ (**XHEATKIT10**) is required. It must be installed on the right side wall of the left-side appliance.

(see chapter "accessories")



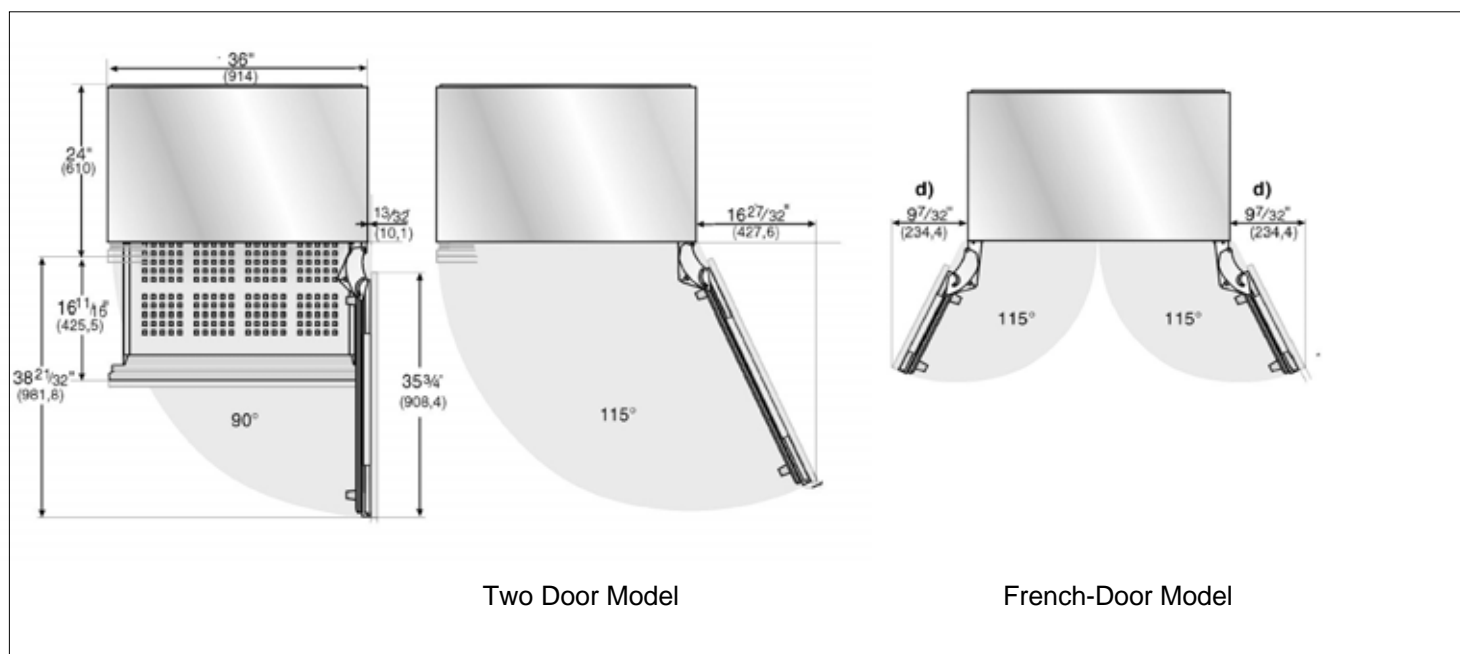
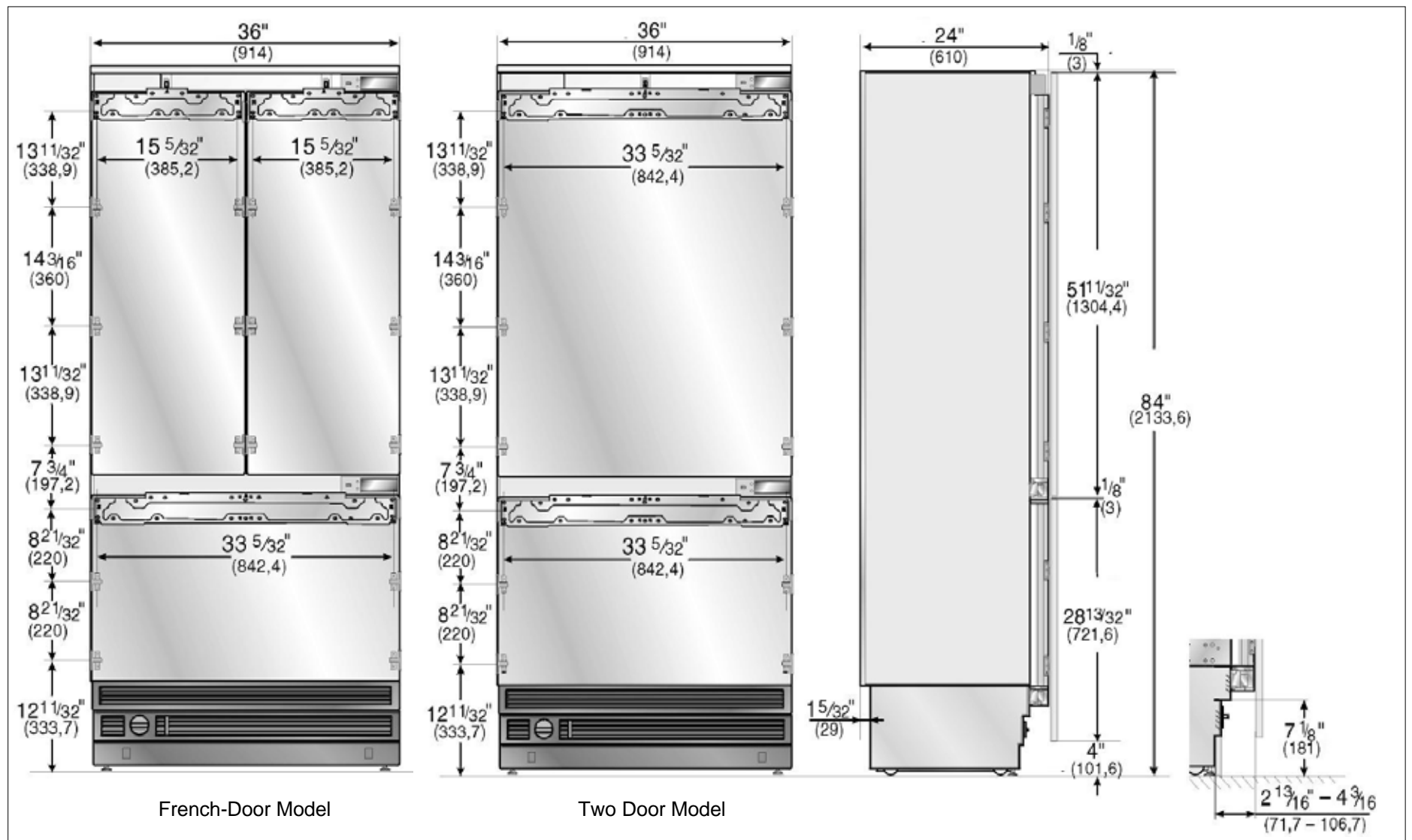
APPLIANCE DIMENSIONS (Single Door Models)



	A	B (*)	C	D	E
18" Models	18"	15 5/32"	17 3/4"	20 21/32"	9 7/32"
24" Models	24"	21 5/32"	23 3/4"	26 21/32"	11 3/4"
30" Models	30"	27 5/32"	29 3/4"	32 21/32"	14 5/16"

- Thickness of a stainless steel door panel is 3/4" (19mm)
- Thickness of custom made door panels may vary according to your planning preferences (3/4" to 1 1/2")
- Leveling legs can be adjusted +1 3/8" to - 1/2" (+35 to -13 mm). Shown is standard adjustment height.
- (*) Dimension "B" indicates width position of door panel fixation brackets, only.

APPLIANCE DIMENSIONS (36" Bottom Freezer Models)



- Thickness of a stainless steel door panel is 3/4" (19mm)
- Thickness of custom made door panels may vary according to your planning preferences (3/4" to 1 1/2")
- Leveling legs can be adjusted +1 3/8" to - 1/2" (+35 to -13 mm). Shown is standard adjustment height.

KITCHEN DESIGN – Basic Terms

To clarify the terms which are used in this quick reference, please refer to the following definitions:

CASE

This is the main body of a kitchen cabinet.

FACE FRAME

This is a decorative frame at the front of a kitchen cabinet and is typical for North America. Variations by manufacturer in kitchen design construction may purposely have a clearly visible **face frame** that is a part of the kitchen aesthetics. European design and styling of cabinets (frameless cabinetry) typically do not have a frame.

DOOR

The **kitchen cabinetry door panel** is the element of kitchen furniture largely defining the aesthetic design of a kitchen. It can have any conceivable look – from modern to traditional. In this quick reference a ¾" (19mm) thick door panel is presumed.

APPLIANCE DOOR PANEL

The FREEDOM COLLECTION refrigerators are intentionally designed to be equipped and delivered with custom made **appliance door panels** that perfectly match the end-user's installed kitchen cabinetry. Typically the normal appliance door panel thickness is expected to be ¾" (19mm). However, a thicker appliance door panel can be accommodated if such door panels are used on the end-user's kitchen cabinetry or in order to emulate the look of the visible face frame (addition to the door) on the refrigerator as well.

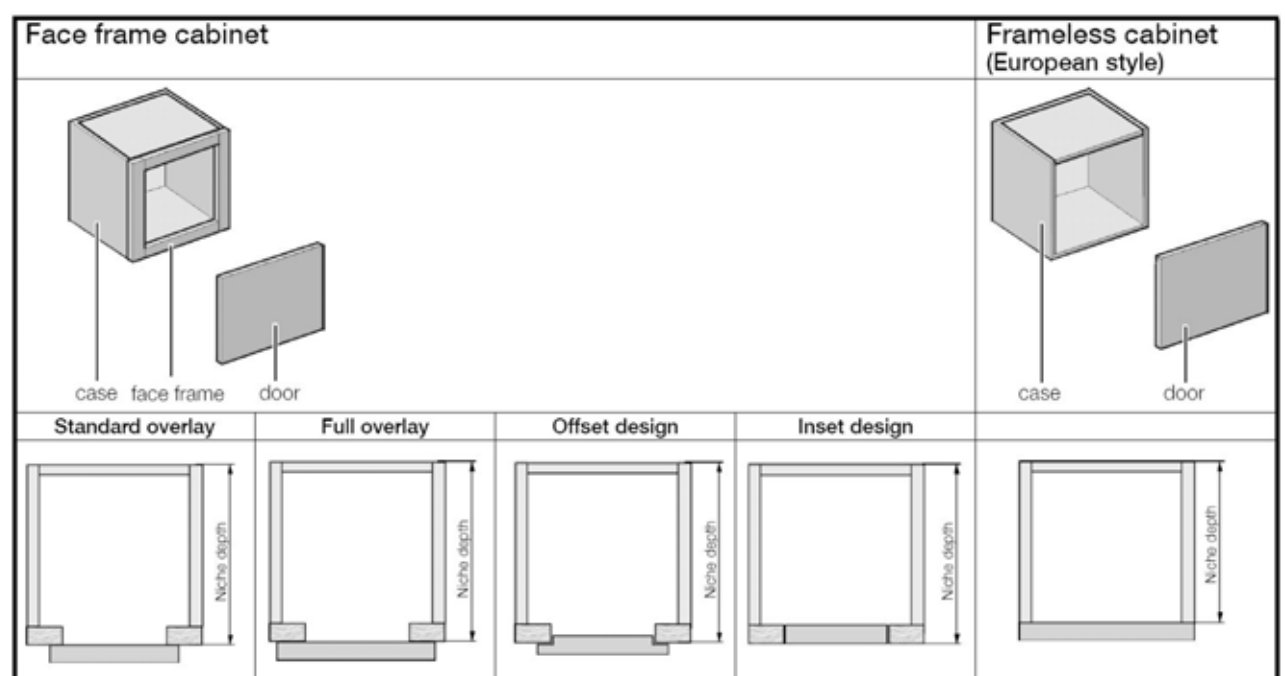
NICHE (Installation Cavity)

The niche is the cavity where a FREEDOM COLLECTION refrigerator is installed. The width of the niche (18",24",30",.....) is dependent on the appliance. The **niche depth** is equal to the depth of the kitchen cabinet (case+face frame). **It does NOT include the thickness of the cabinetry door panel.** For proper planning of the niche depth, please refer to the respective chapter on page 9 in this quick reference.

The main idea of the FREEDOM COLLECTION is, that you can simply replace any standard size kitchen cabinet with a refrigerator column. You can create a suitable niche by leaving a respective gap between two tall cabinets. Alternatively you may create an enclosure, that the appliance will fit into. However this is not the original design intent (basic idea).

When planning the installation niche, it is important that the side walls are completely flush! Please make sure that there is not any kind of face frame at the front of the niche. If, for some reason this is not the situation, please make sure that the depth of this face frame (furniture return) is more than 4" (100mm) so that the appliances can be properly secured.

Kitchen Cabinetry Illustration



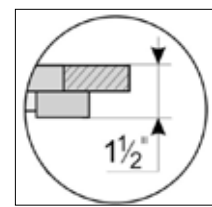
DEPTH OF INSTALLATION CAVITY (Niche depth)

As previously described, the required depth of the installation cavity is mainly dependent on the **kitchen design**. The FREEDOM COLLECTION refrigeration columns are designed for a niche depth of 24" (610mm). So, if the kitchen cabinet (case + face frame) is 24" deep, this should accommodate many standard installations.

Please be advised that additional depth may be required for kitchen designs intending the look of flush fascia across the cabinetry and the refrigerator door panel.

A) Standard Overlay Design

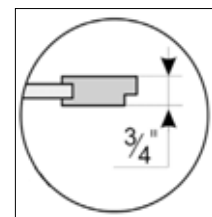
On a kitchen with standard overlay cabinetry, the face frame is also an important part of the design. If the same aesthetics are to be continued on the refrigerator, then not only the door cabinetry panel thickness (e.g. $\frac{3}{4}$ ") is included, additionally the face frame thickness must be emulated. Thereby the resulting thickness of the **appliance door panel** is $\frac{3}{4}$ " + $\frac{3}{4}$ " = 1 $\frac{1}{2}$ " (face frame emulation+door panel = custom appliance door panel). This cumulative thickness of the resulting custom appliance door panel requires added depth for the installation cavity. Example 24" + $\frac{3}{4}$ " = 24 $\frac{3}{4}$ " (recommended is 25").



appliance door panel (emulating a face frame)

B) Full Overlay Design

The above mentioned requirements are of course also valid for kitchens with full overlay design. However there are some chances to work with a niche depth of 24": For this, the small remaining visible area of the fully overlaid face frame has to be emulated within the standard **appliance door panel** thickness of $\frac{3}{4}$ ". This can be done by simply ignoring the visible area of the face frame on the refrigerator ("extended size" of the appliance door panel) or by emulating the face frame by creating a respective "nose" on the appliance door panel (see sketch).



appliance door panel with nose (emulating a face frame)

C) Offset Design, Inset Design (25" niche depth)

Here, the kitchen cabinetry door panels are NOT completely mounted on the cabinet, but partially or fully inserted into the face frame. Due to this, such offset or inset design kitchens do not gain sufficient installation depth by the door panel (please refer to illustration on page 8). If any **appliance door panel** (thickness e.g. $\frac{3}{4}$ ") is installed on the refrigerator, the complete depth dimension of the "paneled refrigerator" will be 24" + $\frac{3}{4}$ " = 24 $\frac{3}{4}$ " (629mm). The minimum depth of the niche is therefore also 24 $\frac{3}{4}$ " (recommended is 25").

D) European style kitchen cabinetry (24" niche depth)

If the kitchen design is based on European style cabinetry, there is no need to emulate the look of a face frame, as such a frame does not exist on any of the kitchen cabinets. Therefore a 24" (610mm) deep niche will always be sufficient.

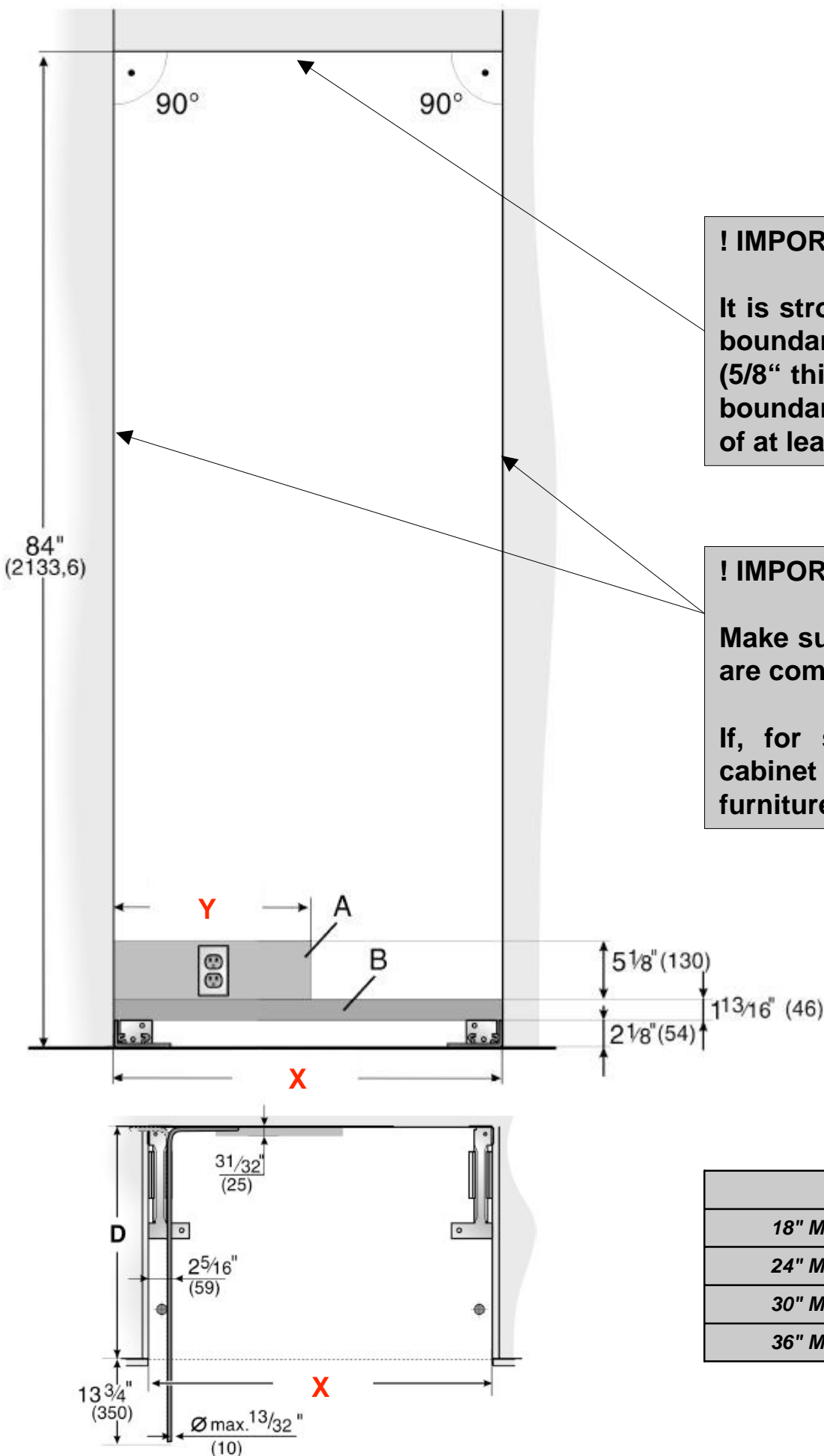
24" Niche depth is sufficient for:

- frameless cabinetry kitchen design with any kind of appliance door panels
- standard overlay or full overlay kitchen design with appliance stainless steel door panels.
- full overlay kitchen design with appliance custom door panels with „extended size“ or with „nose“ (to emulate face frame look)

25" Niche depth is required for:

- standard or full overlay kitchen design with appliance door panels with thickness bigger than $\frac{3}{4}$ " (to emulate face frame look)
- offset or inset design kitchens with any kind of appliance door panels

INSTALLATION a (NICHE) DIMENSIONS



! IMPORTANT !

It is strongly recommended the top panel boundary of the niche be of solid material (5/8" thickness). Make sure that the upper boundary is completely flush for a depth of at least 4".

! IMPORTANT !

Make sure that the side walls of the niche are completely flush !

If, for some reason, a separate niche cabinet is created, make sure that the furniture return area is at least 4" deep.

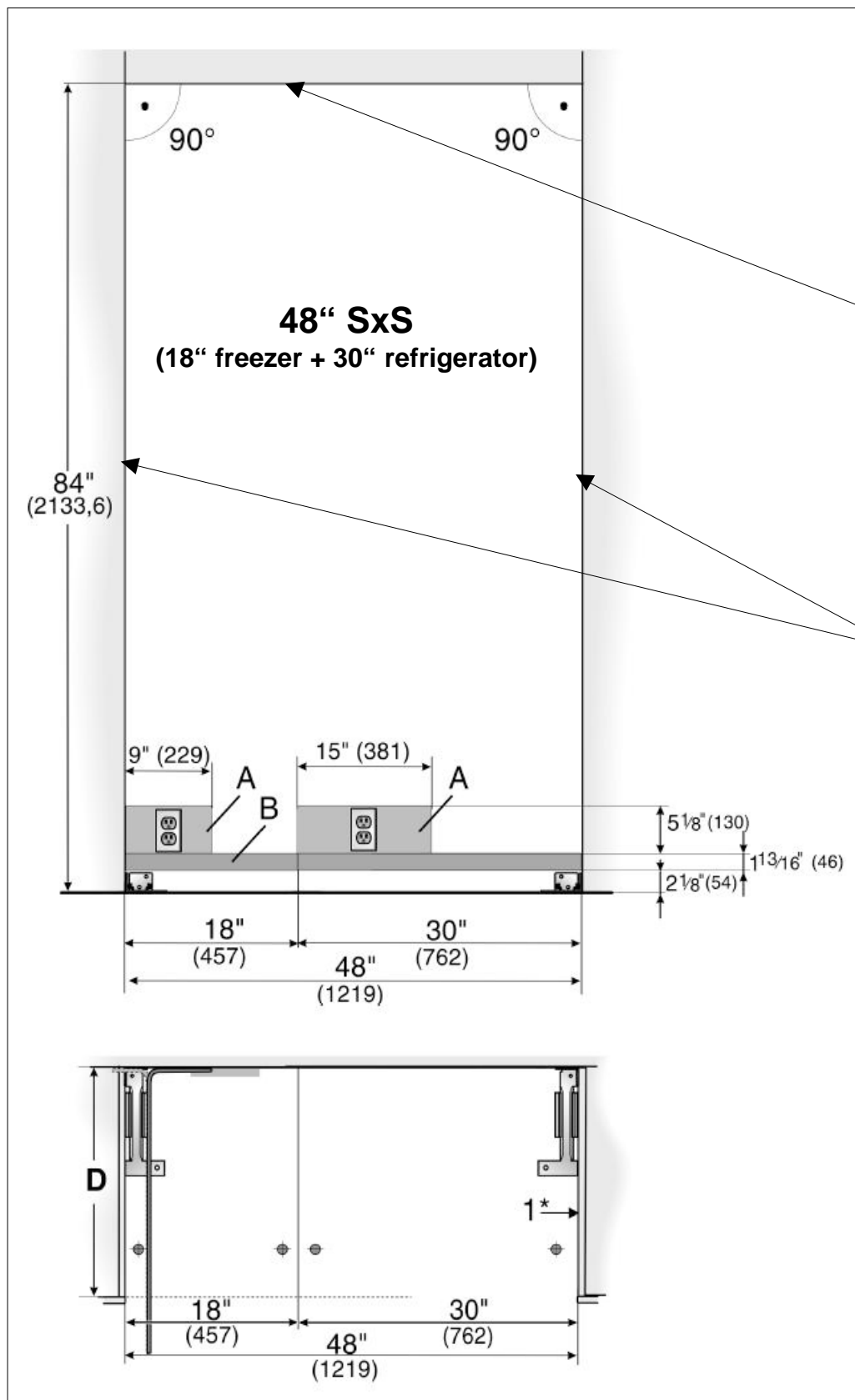
	X	Y
18" Models	18" (457mm)	9" (229mm)
24" Models	24" (610mm)	12" (305mm)
30" Models	30" (762mm)	15" (381mm)
36" Models	36" (914mm)	18" (457mm)

A: Area for installing the power connection

B: Area for running the water line. It is recommended the water-box be placed adjacent to the installation cavity, so that it can be accessed for service without uninstalling the appliance. If this is not possible, place the recessed water box adjacent to the power supply socket elevated at the heights as referenced in areas A+B.

CAVITY FOR SIDE-BY-SIDE INSTALLATIONS

The width dimension of a niche for side-by-side installations is defined by adding the dimensions of the two single columns. Below illustrates the dimensions of a classic 48"-SxS, with a 18" freezer unit on the left and a 30" refrigerator on the right.



! IMPORTANT !

It is strongly recommended the top panel boundary of the niche be of solid material (5/8" thickness). Make sure that the upper boundary is completely flush for a depth of at least 4".

! IMPORTANT !

Make sure that the side walls of the niche are completely flush !

If, for some reason, a separate niche cabinet is created, make sure that the furniture return area is at least 4" deep.

There is a wide range of combination possibilities, which always end up in simple niche dimensions. Some examples:

- 18" + 18" models = 36" niche
- 24" + 18" models = 42" niche
- 24" + 24" models = 48" niche
- 30" + 18" models = 48" niche
- 24" + 30" models = 54" niche
- 30" + 30" models = 60" niche
- 30" + 36" models = 66" niche
- 36" + 36" models = 72" niche

You just have to make sure that the sockets for the power supply and the water line are located at the correct positions. Take the needed dimensions from the niche description of a single unit installation (as shown on page 10).

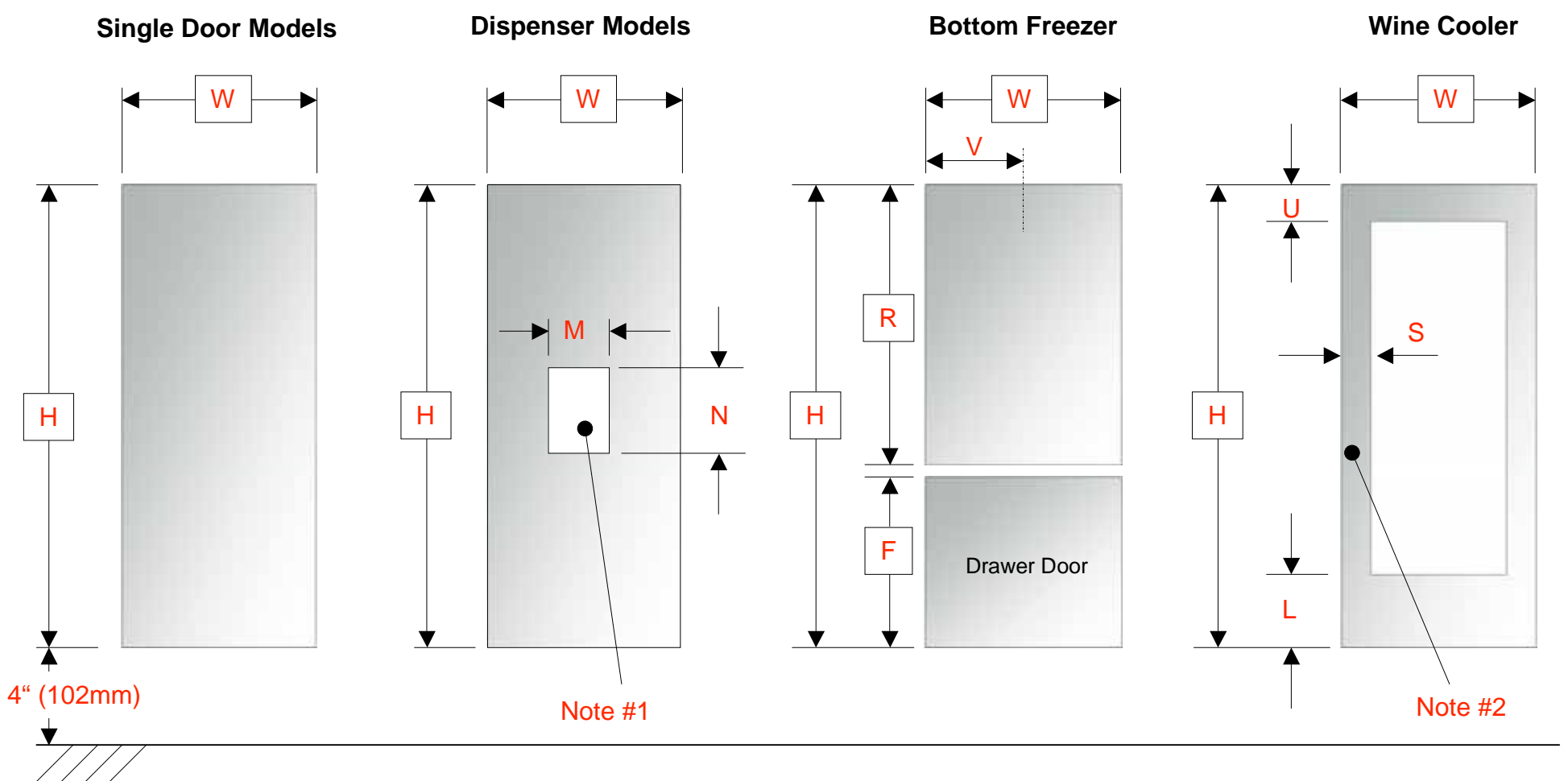
A: Area for installing the power connection

B: Area for running the water line. It is recommended the water-box be placed adjacent to the installation cavity, so that it can be accessed for service without uninstalling the appliance. If this is not possible, place the recessed water box adjacent to the power supply socket elevated at the heights as referenced in areas A+B.

APPLIANCE DOOR PANEL DIMENSIONS

IMPORTANT: The perfect size of the appliance door panels for the FREEDOM COLLECTION refrigerators is defined by the aesthetic design of the surrounding kitchen cabinetry. The toe kick height, the cabinet height and other relevant dimensions of the kitchen will predetermine the dimensions that are required to achieve the same look on the refrigerators. The following sketches illustrate the dimensions which are also used on the panels of the stainless steel models. They are designed for a toe-kick height of 4" (102mm), and a overall kitchen cabinet height of 84" (2134mm) with reveals of 1/8" (3mm) as this is a perfect compromise for a wide range of kitchen designs. As the custom appliance door panels will exceed the appliance door at upper and lower side, please make sure that also the rear side has a finished surface for a height of each 8" (205mm).

IMPORTANT: These sketches are NOT intended to be a replacement for careful planning. Attention to the specific design details of any kitchen is always a necessity !

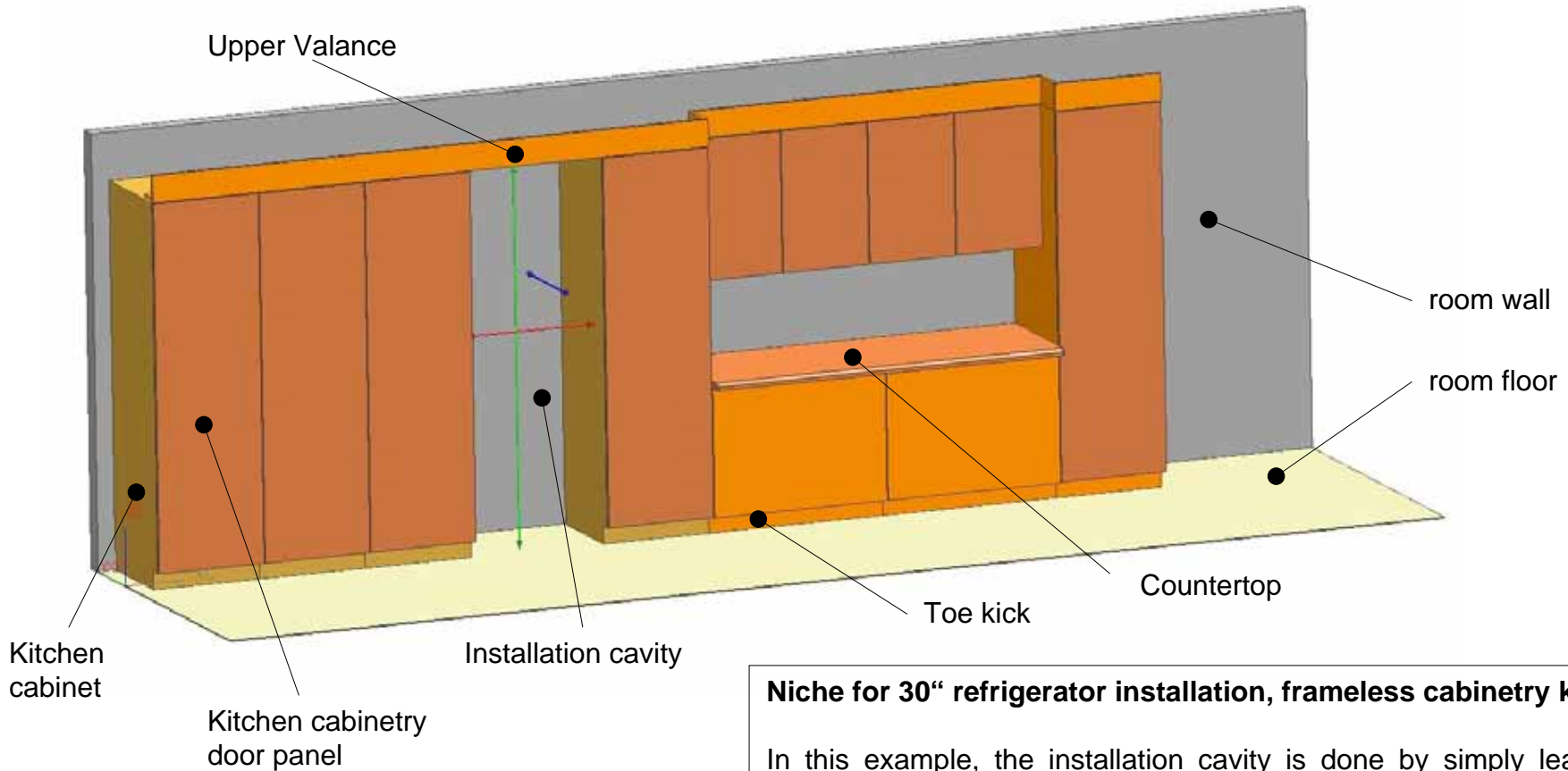


	H	W	V	R	F	M	N	U	L	S	max. weight
18" Single Door Models	79-7/8" (2029mm)	17-3/4" (451mm)	-	-	-	-	-	-	-	-	37 lbs (17kg)
24" Single Door Models	79-7/8" (2029mm)	23-3/4" (603mm)	-	-	-	-	-	-	-	-	50 lbs (23kg)
30" Single Door Models	79-7/8" (2029mm)	29-3/4" (756mm)	-	-	-	-	-	-	-	-	64 lbs (29kg)
18" Dispenser Model	79-7/8" (2029mm)	17-3/4" (451mm)	-	-	-	9-1/16" (230.5mm)	14-1/2" (368mm)	-	-	-	37 lbs (17kg)
24" Dispenser Model	79-7/8" (2029mm)	23-3/4" (603mm)	-	-	-	9-1/16" (230.5mm)	14-1/2" (368mm)	-	-	-	50 lbs (23kg)
36" Bottom Freezer Two-Door	79-7/8" (2029mm)	35-3/4" (908mm)	-	51-11/32 (1304mm)	-	-	-	-	-	-	55 lbs (25kg)
36" Bottom Freezer French Door	79-7/8" (2029mm)	35-3/4" (908mm)	17-3/4" (451mm)	51-11/32 (1304mm)	-	-	-	-	-	-	55 lbs (25kg)
36" Bottom Freezer Drawer	79-7/8" (2029mm)	35-3/4" (908mm)	-	-	28-13/32 (722mm)	-	-	-	-	-	22 lbs (10kg)
18" Wine Cooler	79-7/8" (2029mm)	17-3/4" (451mm)	-	-	-	-	-	5-7/8" (149mm)	10-1/8" (257mm)	2-15/16" (75mm)	37 lbs (17kg)
24" Wine Cooler	79-7/8" (2029mm)	23-3/4" (603mm)	-	-	-	-	-	5-7/8" (149mm)	10-1/8" (257mm)	2-15/16" (75mm)	50 lbs (23kg)

Note #1: The cut-out for the dispenser unit must be horizontally and vertically aligned (centered).

Note #2: The width of the two lateral flanges of the frame-like door panel for wine coolers can vary between 2 1/2" (65mm) and 3 1/4" (82mm). However 2-15/16" (75mm) is recommended.

PLANNING EXAMPLE #1 30"-Refrigerator in a kitchen with frameless cabinetry (3/4" front panel)

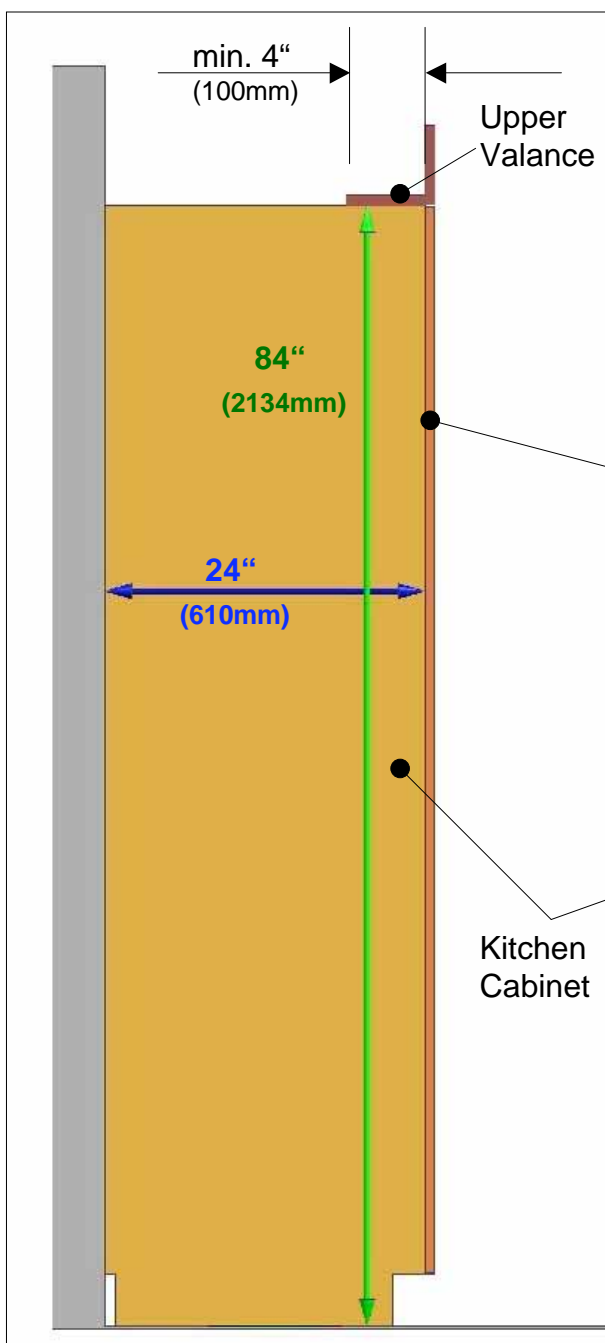


Niche for 30" refrigerator installation, frameless cabinetry kitchen:

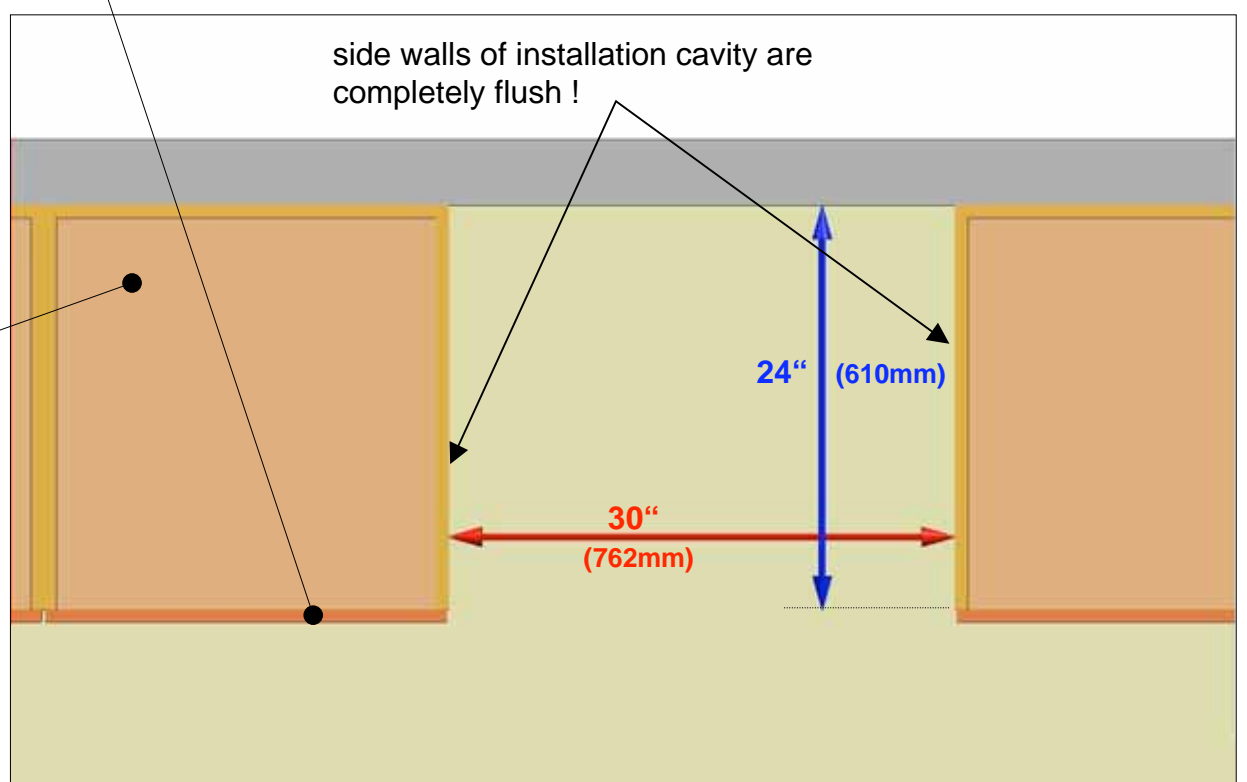
In this example, the installation cavity is done by simply leaving a gap between two kitchen cabinets (as recommended).

The appliance front panel will be identical in appearance and thickness to the kitchen cabinetry door panel (e.g. 3/4").

- side walls of installation cavity (niche) are completely flush
- upper boundary (valance) is at least 4" deep and from solid material
- niche width is exactly 30"
- niche depth (cabinet depth) is 24"

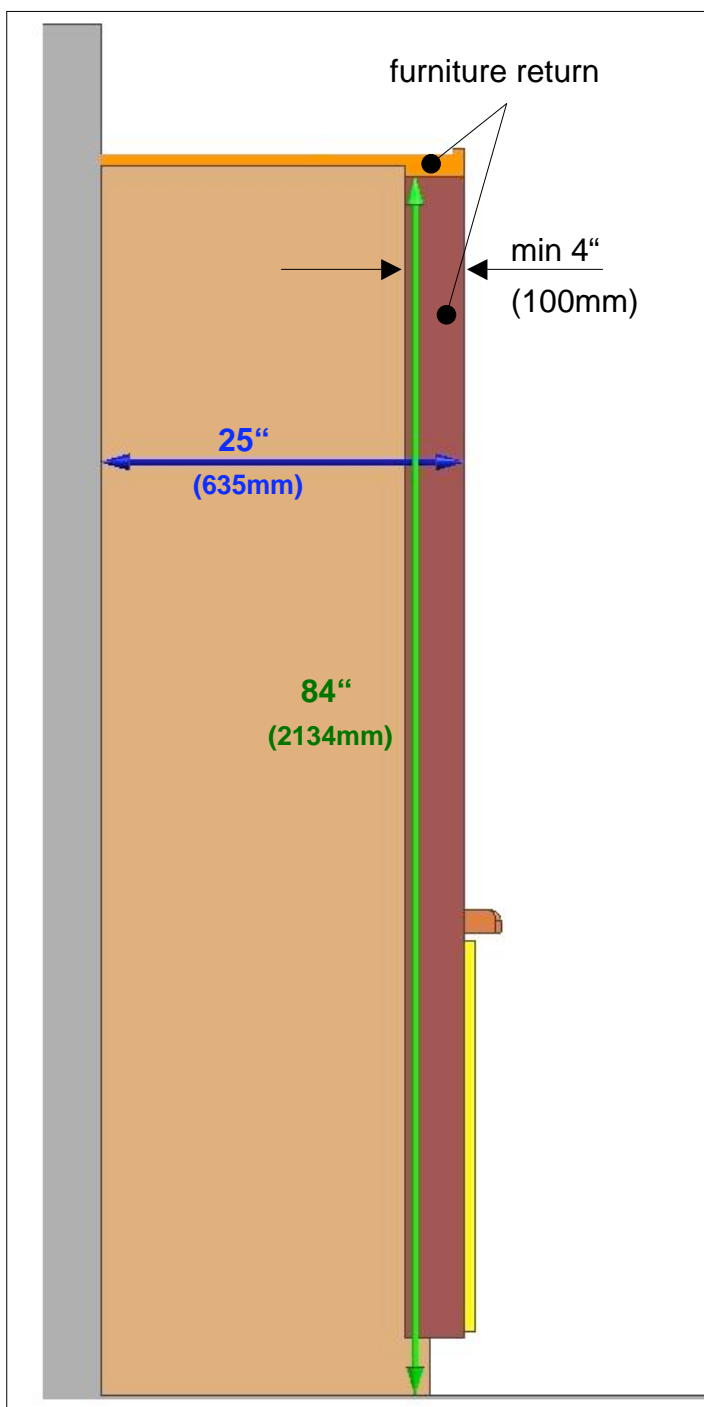
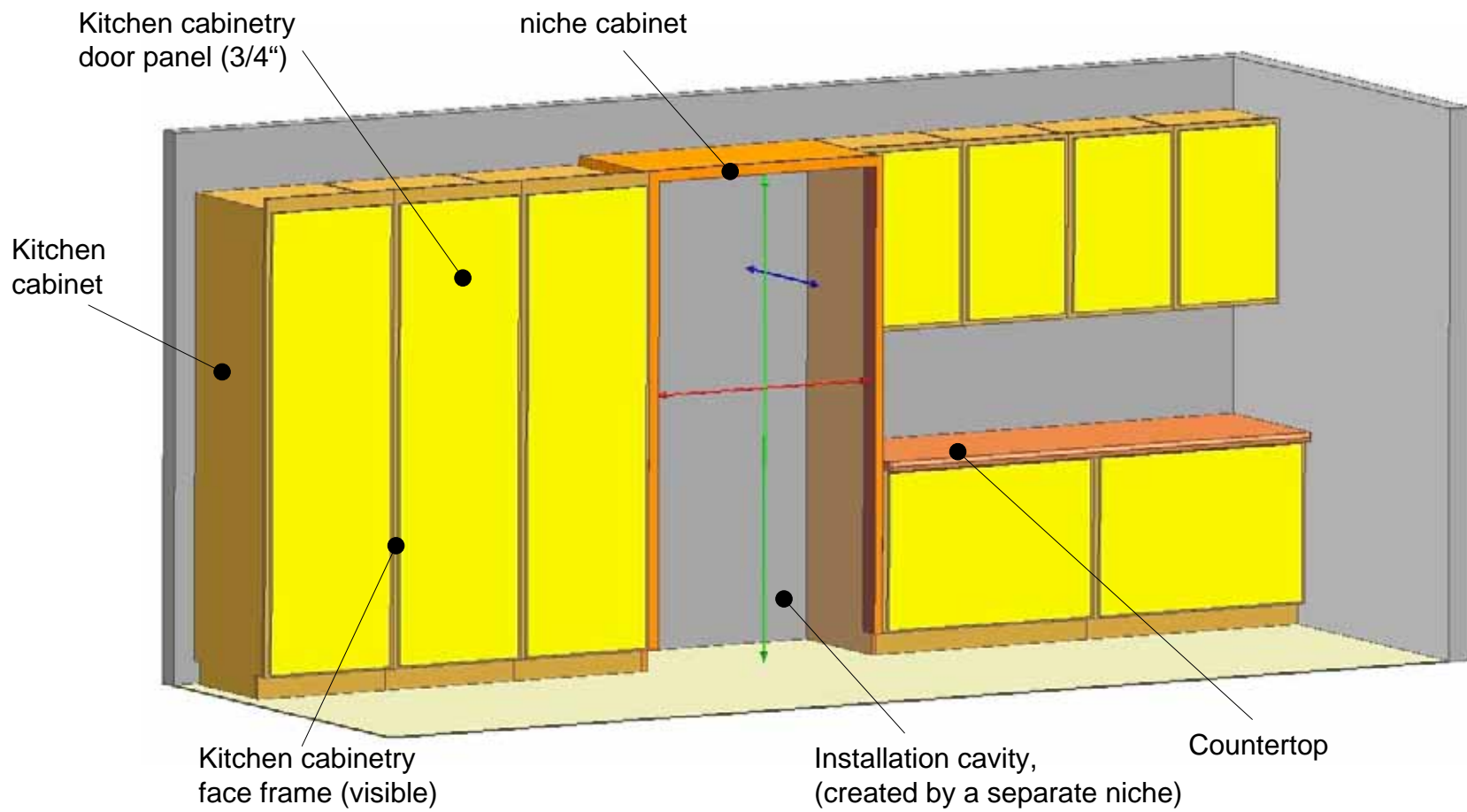


Installation Cavity (Vertical Section)



30" Installation Cavity (Horizontal Section)

PLANNING EXAMPLE #2 42"-Side-by-Side in a standard overlay kitchen and with separate niche

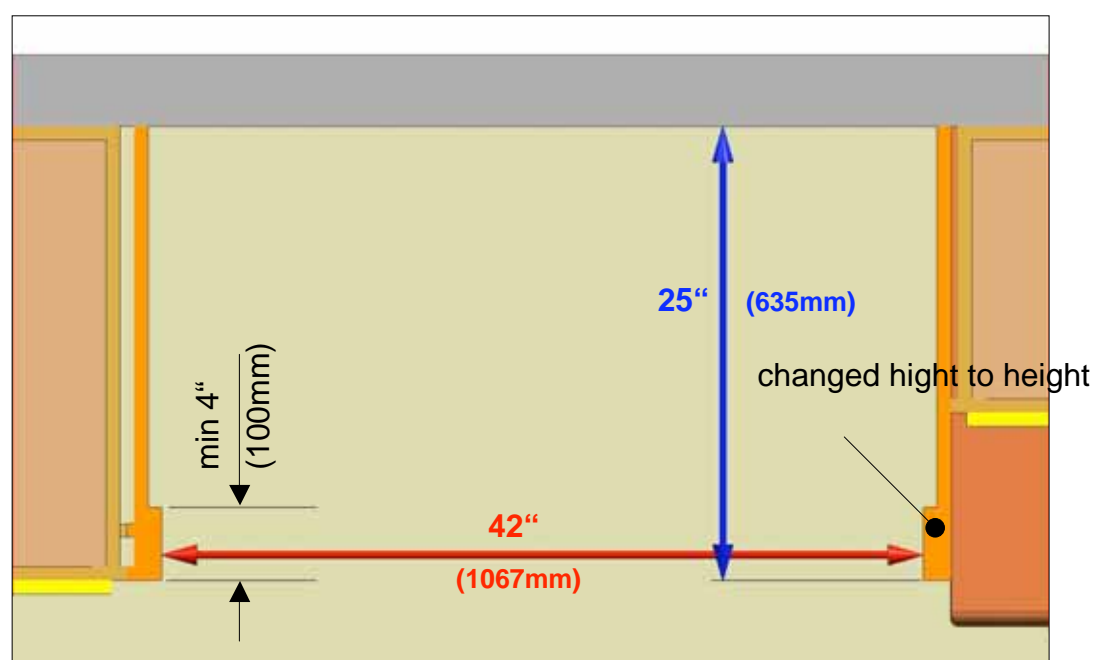


Niche for 42" refrigerator installation, standard overlay kitchen:

In this example, the installation cavity is done with a separate niche (surrounding the refrigerator) although this niche cabinet is not needed. It even creates a look that deviates from the general kitchen design.

The *appliance front panel* has a cumulative thickness of 1½", whereby ¾" emulates the face frame of the kitchen cabinets and ¾" emulates the door panel. Due to this, a 25" deep installation cavity is required.

- if the niche is done with „furniture return“ (not recommended) , this has to be at least 4" deep (on left, right and upper side) and from solid material. It has to have equal depth on left and right side !
- niche width is exactly 42" (for a 18"+24" = 42" SxS-combination)
- niche depth (cabinet depth) is 25" due to 1½" appliance front panel.



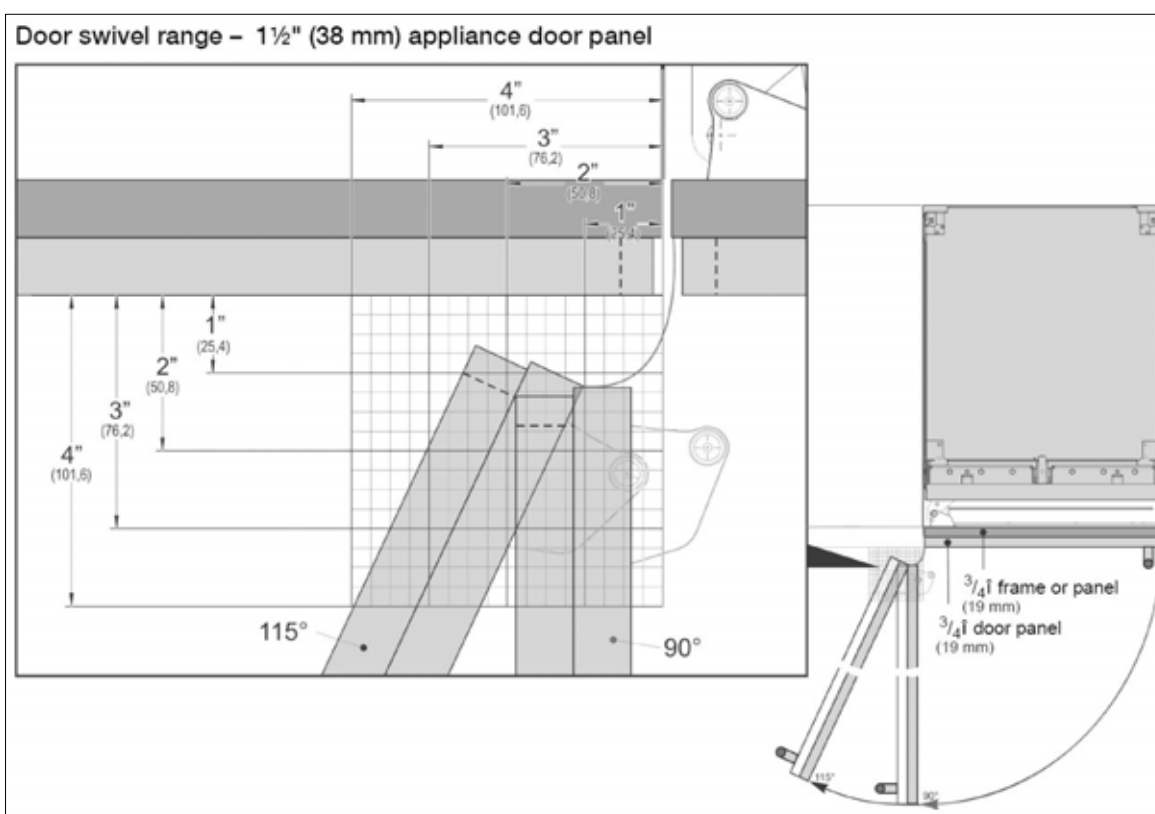
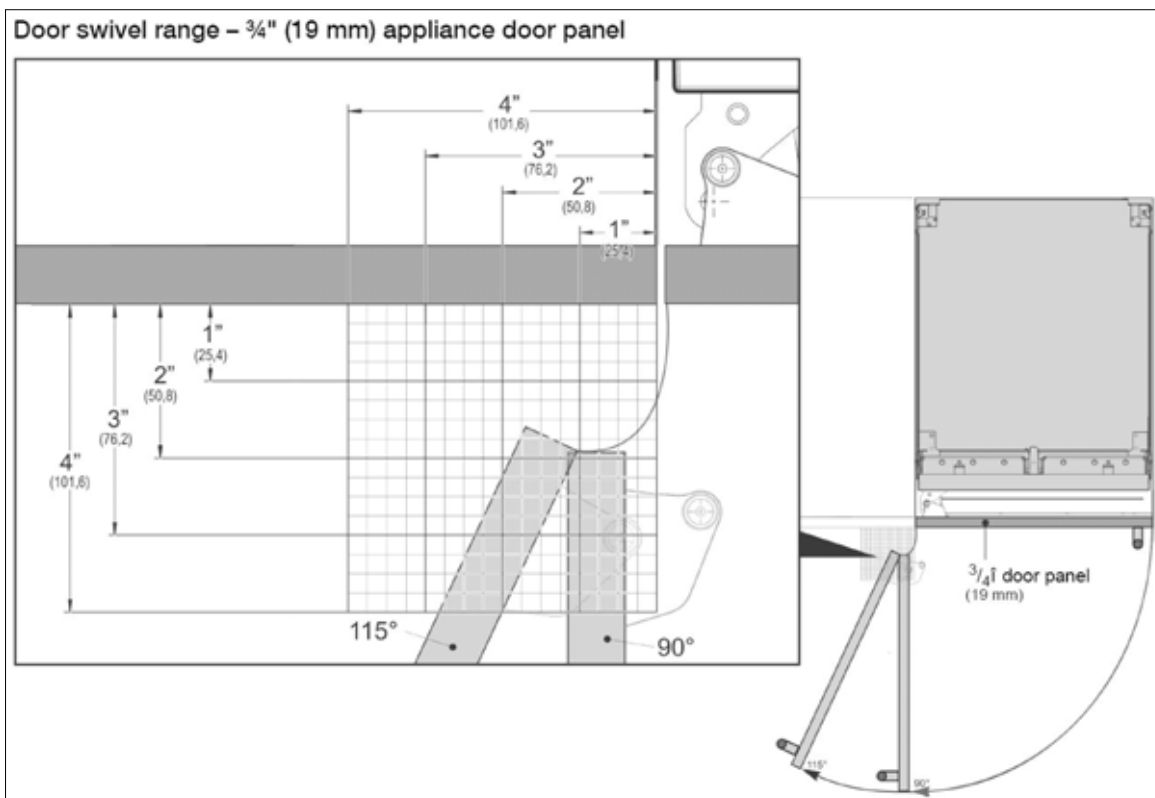
DOOR SWIVEL RANGE

For proper kitchen planning, it is absolutely essential the kitchen planner carefully check for refrigerator door collision avoidance with adjacent cabinets (especially with their door handles !), countertops, pilasters, neighboring walls or other kitchen elements. The illustrations below depict the door swivel range of the FREEDOM COLLECTION refrigerator doors including mounted door panels of both 3/4" and 1 1/2" in thickness. Make sure that the refrigerators are installed in such a way that the doors will not have any collision when opened.

In the event of interference causing collision problems, you have several options to overcome this:

- Limiting the refrigerator door opening angle to 90°
- Reducing the appliance door panel thickness by changing the design / using a stainless steel version (3/4" panel thickness).
- Installing a spacer between the refrigerator and the kitchen element that creates the collision problem.
- Rearranging the kitchen element that create the problem
- Creating a protruding niche for the refrigerator

For more detailed information, please refer to the FREEDOM COLLECTION DESIGN GUIDE.



INSTALLATION REQUIREMENTS

Installation place

⚠	WARNING	⚠
Do not install the appliance: <ul style="list-style-type: none"> - outdoors, - in an environment with dripping water, - in rooms which are at risk of frost. 		

Installation room

The appliance should be installed in a dry, ventilated room. The ambient temperature should not drop below 55 °F (13 °C) or rise above 110 °F (43 °C), otherwise malfunctions may occur. The installation location should not be exposed to direct sunlight and not placed near a heat source, such as an oven, radiator, etc. If installation next to a heat source is unavoidable, use a suitable insulating plate or observe the following minimum distances from the heat source:

- 1 1/4" (3 cm) from an electric cooker,
- 11 13/16" (30 cm) from an oil or solid-fuel cooker.

Base

⚠	WARNING	⚠
A fully-loaded appliance is very heavy – for the load bearing capacity at least see the following table: <ul style="list-style-type: none"> Cooler 24" approx. 890 lbs / 400 kg Cooler 30" approx. 1110 lbs / 500 kg Bottom Freezer 36" approx. 1200 lbs / 540 kg Freezer 18" approx. 560 lbs / 250 kg* Freezer 24" approx. 780 lbs / 350 kg* Freezer 30" approx. 950 lbs / 425 kg* (* without Water Dispenser)		

To ensure that the appliance is installed securely and functions properly, the base must be flat and level. The base must be made of a hard, rigid material. The installation area must be the same height as the rest of the room. On account of the heavy weight of a fully loaded appliance, a load-bearing base is required. If in doubt, contact an architect or a building expert.

Installation cavity and niche dimensions

It is important to observe the specified dimensions of the installation cavity for a trouble-free installation of the appliance and for the subsequent general view of the furniture front. See chapter "Niche dimensions" on .

i In particular ensure that the cavity is square. Squareness can be checked by suitable means, e.g. spirit level, diagonal measurements, etc.

i The side walls of the cavity must be flush. The minimum thickness of side walls and the top wall must be 5/8" (16 mm).

The minimum thickness of toe kick panel must be 1/2" (13 mm).

Furniture/fixtures

The new appliance is screwed securely to adjacent and overhead furniture/fixtures. For this reason it is essential that all attachable furniture/fixtures are connected securely to the base or the wall by suitable means.

Finger guard

The finger guard is a safety device which is attached to the hinge side of the appliance door. When the door is open, it stops children and pets from inserting limbs unnoticed into the crack between the door and the appliance and from being hurt when the door is closed.

!	IMPORTANT	!
Under no circumstances may the appliance be installed and operated without the finger guard.		

Electrical Requirements

⚠	WARNING	⚠
Electrical Shock Hazard <ul style="list-style-type: none"> - Plug into a grounded 3 prong outlet. - Do not remove ground prong. - Do not use an adapter. - Do not use an extension cord. 		

The appliance comes with a 3-wire power supply cord, UL listed in the USA. The appliance requires a 3-wire receptacle. The receptacle must be installed by a licensed electrician only. For the installation position of the receptacle see Niche dimensions.

!	IMPORTANT NOTE	!
A 4-conductor cord shall be used when the appliance is installed in an area where the local codes do not permit grounding through the neutral. Power supply cord must be replaced by a licensed electrician only.		

Additional grounding procedure

Some local regulations may require a separate ground. In such cases, the required accessory ground wire, clamp and screw must be purchased separately. Never ground the appliance to plastic plumbing lines, gas lines or water pipes.

Grounding instruction

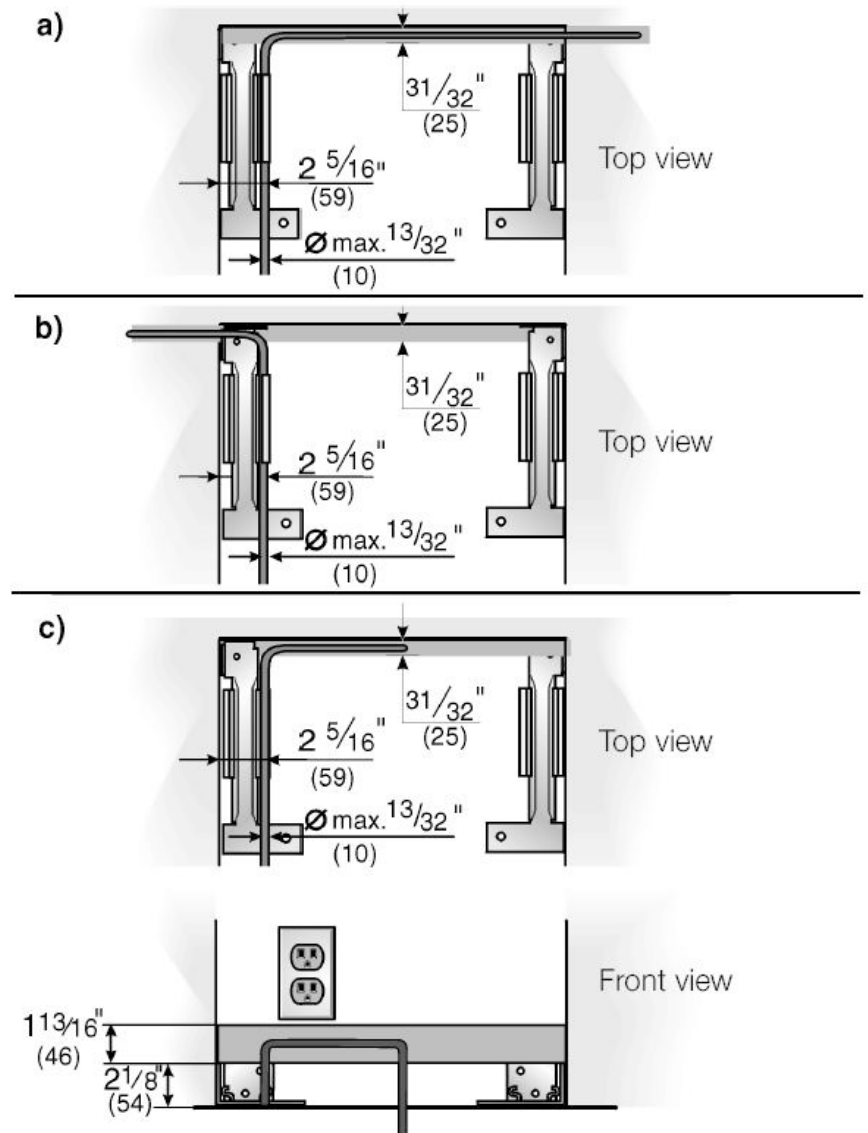
This appliance must be grounded. In the event of a malfunction or breakdown, grounding will reduce the risk of electric shock by providing a path of least resistance for the electric current.

	WARNING	
<p>Improper connection of the equipment grounding conductor may result in electric shock. Have the appliance checked by a qualified electrician or servicetechnician if you are in doubt as to whether the appliance has been properly grounded.</p>		

Connecting the water

A cold water connection is required for appliances which feature an ice maker or an ice water dispenser. The water pressure must be between 40 and 120 p.s.i. (2.75–8.25 bar). The installation must comply with local plumbing regulations. A separate shut-off valve must be installed for the appliance water connection. The shut-off valve for the water connection must not be behind the appliance. It is recommended to place the shut-off valve directly next to the appliance (base unit) or in another easily accessible location. When installing the water connection, observe the permitted installation areas for the water supply line.

The supply line can be located at the side on the right (a), at the side on the left (b) or underneath (c).

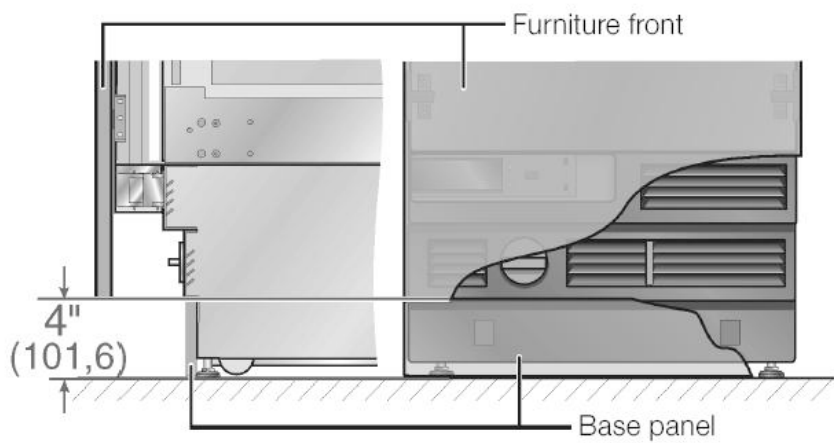


BASE AREA AND UPPER VALANCE DESIGN

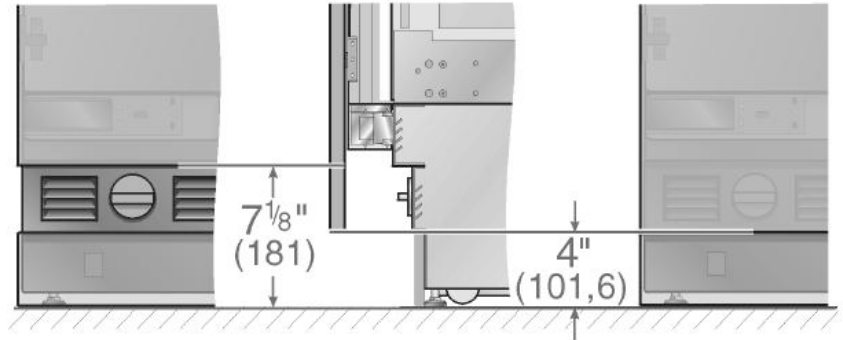
Base area design

CAUTION

Ventilation of the appliance has to be guaranteed.
 Risk of damage to the appliance.
 The minimum distance between the upper edge of the floor and the bottom edge of the furniture front is 4" / 101.6 mm.
 Pay attention to the height adjustment of the appliance by leveling the legs. Do not cover the ventilation slits in the feet of the appliance.



Relating to the standard height level, the maximum height of the base panel is 4" (102mm), depending on construction. The minimum thickness of the base panel is 3/4" (19mm). Velcro fastening is used to fix the base panel to the appliance. Ventilation slits and the entrance to the water filter (if available) are located in the higher area of the appliance base.



If necessary for design reasons, the distance from the bottom edge of the furniture front can be increased without a problem up to 7 1/8" / 181 mm. The ventilation slits and the entrance to the water filter (if available) will then however be visible.

Upper valance

The height of the furniture front is dependent on:

- the overall height of the appliance,
- the distance from the bottom edge of the furniture front to the floor,
- appliance type (Single door or Bottom Freezer (2 or 3 door)).

The overall height of the appliance is 84" / 2133.6 mm.

A height adjustment in the range - 1/2" / 13 mm to + 1 3/8" / 35 mm can be achieved by the height leveling legs.

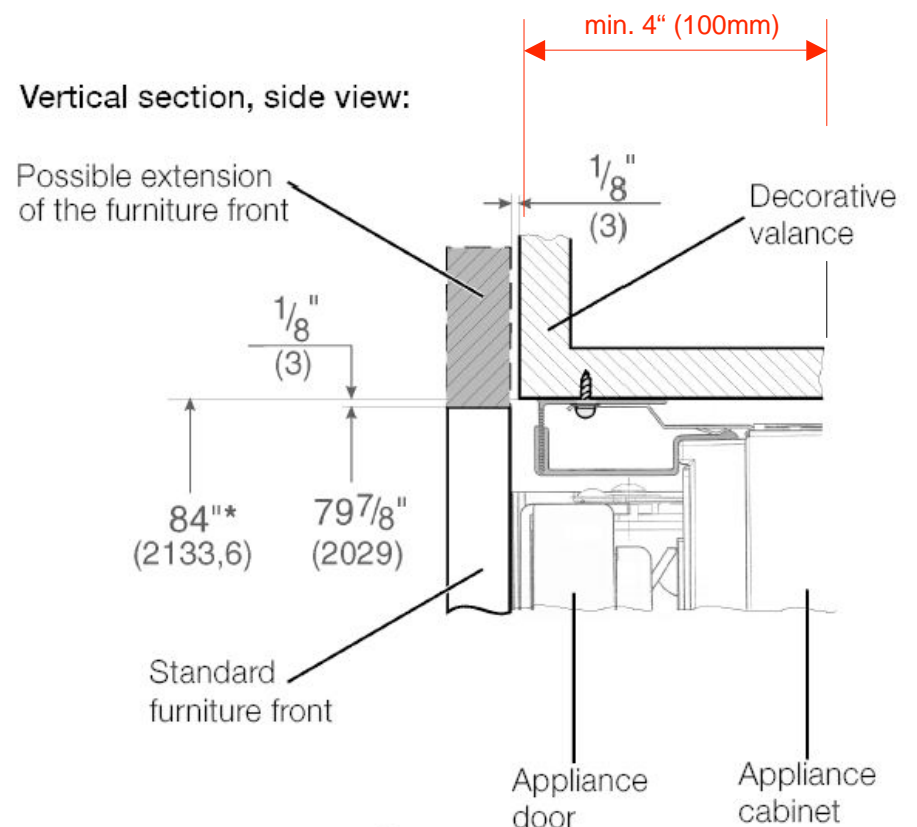
A minimum height of 4" / 101.6 mm is stipulated for the base area for guaranteeing ventilation of the appliance.

When a gap dimension of 1/8" / 3 mm is taken into account and the height instructed is adhered to, the height of the furniture front for the 1 door standard appliance comes to:

$$\begin{aligned} \text{Height of the furniture front} \\ &= \text{overall height} - \text{distance to floor} - \text{gap dimension} \\ &= 79\frac{7}{8}" / 2029 \text{ mm} \end{aligned}$$

This stated height can vary, corresponding to the actual circumstances at the installation location.

The furniture front can be extended upwards according to corresponding spatial conditions and kitchen design.



* Adjustment in levelling legs - 1 3/8" (35 mm) / - 1/2" (13 mm)

Make sure that the upper boundary (top) of the niche (upper decorative valance) is at least 4" deep, so that the refrigerator can be properly secured to the niche. This is especially important if a surrounding niche for the appliance is created and if the niche is configured with a face frame. The „furniture return“ of this face frame must have a minimum depth of 4".

FREEDOM COLLECTION APPLIANCE OVERVIEW



Freezer Column (with internal ice maker)

18"

24"

30"



Dispenser Column (Freezer with ice/water dispenser)

18"

24"



Refrigerator Column

24"

30"



Bottom Freezer Column

36" Two-Door Model

36" Three-Door Model (French Door)



Wine Cooler Column

18"

24"

APPLIANCE SPECIFICATIONS OVERVIEW

Column	Width	Height	Depth	Door Swing Clearance	Door Swing Angle (modifiable)	Shipping Weight	Approximate weight, fully loaded	Hinge Side (on delivery)	max load (AMP)	Freezing Capacity (ft ³)	Cooling Capacity (ft ³)
Freezer 18"	18" (457mm)			20-21/32" (525mm)		255 lbs (115kg)	560 lbs (250kg)	left (changeable)	3.1 A	8.4 cu.ft. (237 ltr)	-
Freezer 24"	24" (610mm)			26-21/32" (677mm)		300 lbs (135kg)	780 lbs (350kg)	left (changeable)	3.7 A	12.0 cu.ft. (340 ltr)	-
Freezer 30"	30" (762mm)			32-21/32" (830mm)		335 lbs (150kg)	950 lbs (425kg)	left (changeable)	4.2 A	15.6 cu.ft. (443 ltr)	-
Freezer / Dispenser 18"	18" (457mm)			20-21/32" (525mm)		255 lbs (115kg)	560 lbs (250kg)	left / right (III)	nya (IV)	8.4 cu.ft. (237 ltr)	-
Freezer / Dispenser 24"	24" (610mm)			32-21/32" (830mm)		300 lbs (135kg)	780 lbs (350kg)	left / right (III)	nya (IV)	12.0 cu.ft. (340 ltr)	-
Refrigerator 24"	24" (610mm)	84" (2134mm)	24" (610mm)	26-21/32" (677mm)	90° / 115° (IV)	310 lbs (140kg)	880 lbs (400kg)	right (changeable)	1.5 A	-	13.1 cu.ft. (370 ltr)
Refrigerator 30"	18" (762mm)			32-21/32" (830mm)		350 lbs (158kg)	1100 lbs (500kg)	right (changeable)	1.5 A	-	17.1 cu.ft. (483 ltr)
Bottom Freezer 36" (Two Door)	36" (915mm)			38-31/32" (982mm)		430 lbs (195kg)	1200 lbs (540kg)	right (changeable)	4.9 A	5.8 cu.ft. (164 ltr)	13.9 cu.ft. (383 ltr)
Bottom Freezer 36" (Three Door)	36" (915mm)			20-21/32" (525mm)		430 lbs (195kg)	1200 lbs (540kg)	not relevant	4.9 A	5.8 cu.ft. (164 ltr)	13.9 cu.ft. (383 ltr)
Wine Cooler 18"	18" (457mm)			20-21/32" (525mm)		300 lbs (135kg)	780 lbs (350kg)	right (changeable)	nya (IV)	-	70 bottles (III)
Wine Cooler 24"	24" (610mm)			26-21/32" (677mm)		350 lbs (160kg)	1200 lbs (540kg)	right (changeable)	nya (IV)	-	98 bottles (III)

*I - total refrigerated volume according AHAM specs.

*II - 18" Wine cooler model = 25 bottles (3.8 cu.ft. / 107 ltr) in upper compartment + 45 bottles (6.0 cu.ft. / 169 ltr) in lower compartment

- 24" Wine cooler model = 35 bottles (5.4 cu.ft. / 153 ltr) in upper compartment + 63 bottles (8.5 cu.ft. / 242 ltr) in lower compartment

*III - On dispenser models the hinge side (left or right) can not be changed. Specific model is to be ordered.

*IV - information is not yet available

*V - standard opening angle is 115°, but can be limited to 90°

ACCESSORIES

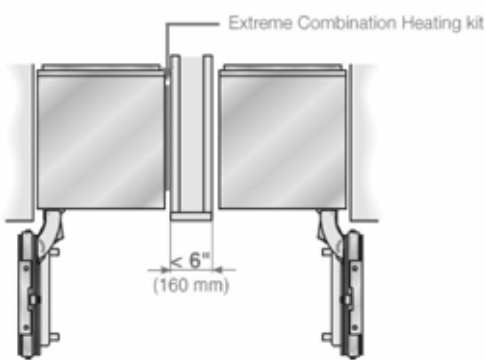
THERMADOR offers a full range of accessories for the FREEDOM COLLECTION product line of refrigerators, expanding the possibilities for kitchen design configurations.

NOTE: specific accessories are required for some installation options.

BASIC COMBINATION SEALING KIT

If two single columns are connected to a side-by-side combination (any configuration), this special accessory is required. It provides several parts for the secure merging of the individual units, including a special sealing mat. This sealing mat protects the connection area from negative effects of condensation. Additionally, a special cover strip for closing the gap between the two appliances is included.

EXTREME COMBINATION HEATING KIT



If two columns are installed separately (any configuration) and if the distance in-between these units is less than 6" (160mm), this special accessory is required. Included is a thin heater blanket for placement on the right side-wall of the left unit. This heater blanket will eliminate the temperature influence of the close installation so that humidity effects and condensation will not occur.

If the installation distance exceeds 6", the accessory is not required.

EXTRA LONG FINGER GUARD

If a installation is done in such a way that the standard height level is exceeded, this finger guard with extended size must be used to make sure that all areas of the refrigerator door are safe.

FRONT PANEL UNIFICATION PART

If an appliance front panel of a 30" or 36" wide column needs to be divided into two parts to match the kitchen furniture design, these unification parts can be used for safely combining them. There are two different kits available: For single door models and for bottom freezer models.

STAINLESS STEEL VENTILATION GRILLS

The ventilation grills located on the refrigerator base area are also available in stainless steel. There are several grill versions available for all the models (width, type) and installation options (left-side hinge / right-side hinge).