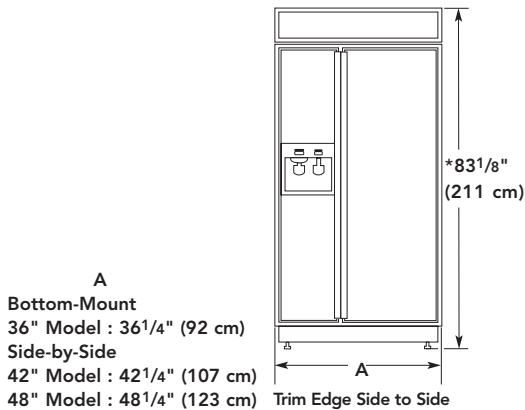


PLANNING GUIDE
REFRIGERATORS

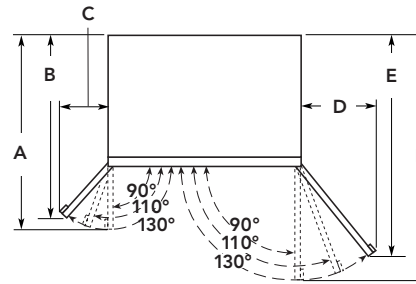
REFRIGERATION

Bottom-Mount & Side-by-Side

Product Dimensions

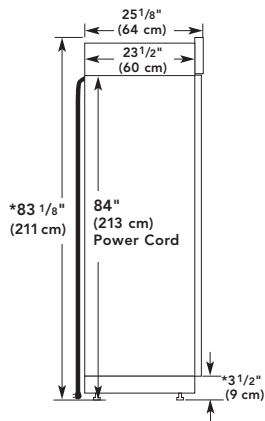


**Side-by-Side Models
Door Swing Dimensions**

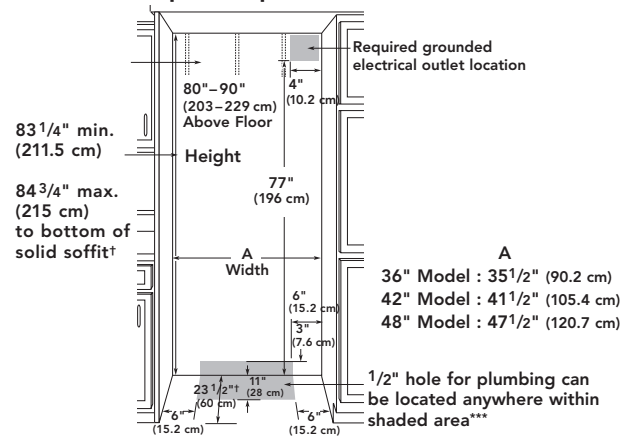


	A	B	C	D	E	F
42"	41 (104 cm)	38 (97 cm)	17 ¹ / ₂ (44 cm)	23 ¹ / ₄ (59 cm)	42 ⁷ / ₁₆ (108 cm)	47 (119 cm)
48"	43 ¹ / ₂ (110 cm)	40 (102 cm)	19 ³ / ₄ (50 cm)	26 ³ / ₄ (68 cm)	45 ¹ / ₄ (115 cm)	50 ¹ / ₂ (128 cm)

Overall Product Dimensions



Space Requirements**



CAPACITIES	Total (Cu. Ft.)	Refrigerator (Cu. Ft.)	Freezer (Cu. Ft.)	Ice Bucket (lbs.)
36" Non-Dispensing Model	20.3	15.0	5.3	8
42" Non-Dispensing Model	25.3	16.0	9.3	12.4
48" Non-Dispensing Model	29.2	18.8	10.4	15
42" Dispensing Model	25.2	16.0	9.2	11.4
48" Dispensing Model	29.6	18.8	10.8	13.4

APPROXIMATE SHIPPING WEIGHT (lbs.)	Custom Panel Models	Stainless Steel Models
36" Non-Dispensing Model	508	548
42" Non-Dispensing Model	563	605
48" Non-Dispensing Model	605	646
42" Dispensing Model	573	613
48" Dispensing Model	618	659

GENERAL INFORMATION

115 Volts, 3 Prong Plug, 60 Hz, 6.5 Amps

Notes: 1) All height, width and depth dimensions are shown in inches. 2) Water line must provide 15-100 psi water pressure. Rough in water line before installing refrigerator. 3) Floor must support refrigerator (more than 600 pounds), contents and door panels. 4) The built-in refrigerator can be installed recessed in the cabinet opening or at the end of cabinets using a side panel to enclose the refrigerator side.

*Leg levelers extend 1/8" (3 mm) below rollers; add 11/8" (29 mm) for levelers fully extended 11/4" (32 mm) below rollers. **Please refer to *Installation Instructions* manual prior to installation. Installation instructions are available at www.thermador.com. ***If a recommended water line location is used, no additional plumbing needs to be purchased. †If solid soffit is not available, see anti-tip requirements in the *Installation Instructions* manual. One of the three methods outlined in the installation instructions must be used.

Specifications are correct at time of printing. Thermador reserves the right to change product specifications and design at any time, without notice.



All refrigerators are UL and CUL approved.