



Wine Storage Model 424 Undercounter



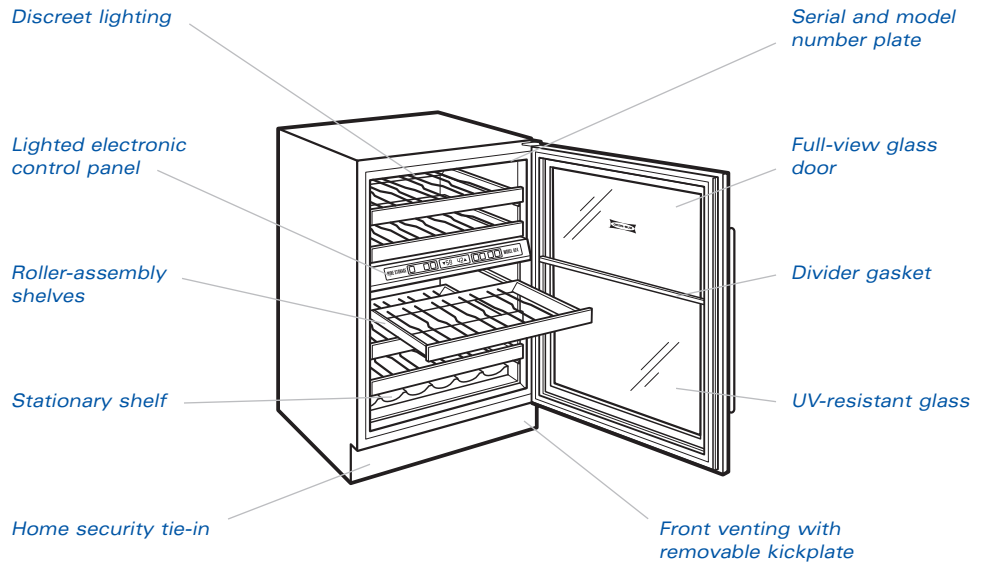
WINE STORAGE



Model 424/O Overlay



Model 424/S Classic Stainless Steel



With the installation of a harness kit, these appliances are Star-K compliant to meet strict religious regulations in conjunction with specific instructions found on star-k.org. You may purchase this harness kit through your Sub-Zero dealer. To obtain local dealer information, visit the Locator section of our website, subzero.com.

► The Sub-Zero undercounter Model 424 Wine Storage unit is available in your choice of the overlay or classic stainless steel design application. A unit with high altitude glass may be special ordered for installations at or above 5,000' (1524 m) in elevation.

A great addition to Sub-Zero's complete line of residential refrigeration is the Wine Storage equipment. But it is more than just wine storage in the conventional sense. It is wine storage as only Sub-Zero could make it. The ultimate in beauty, engineering, attention to detail and smart thinking.

The most popular unit of the Wine Storage equipment, Model 424, offers your client all of the functioning capability as the larger models in this line, but in a compact manner. It's ideal for those small places in your kitchen or bar area where you can ensure your clients have the opportunity to store and offer their wines at the proper drinking temperatures.

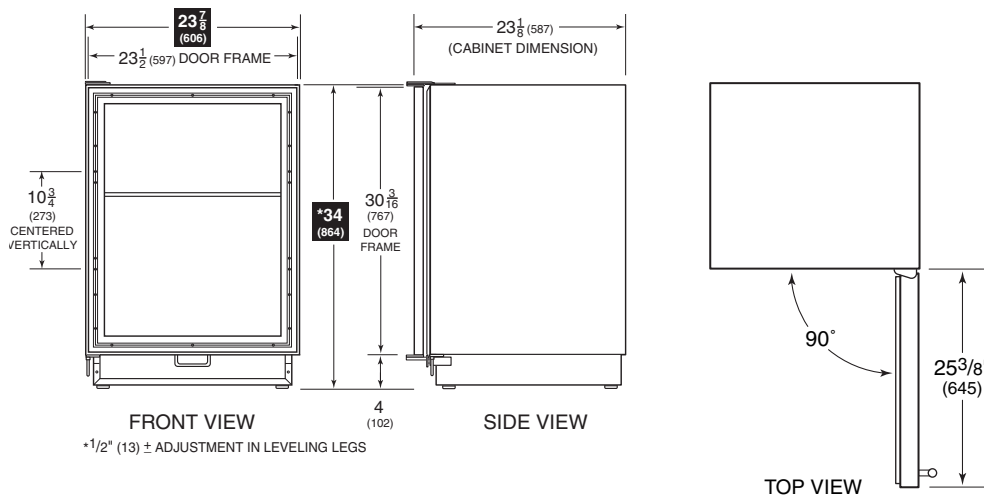


Wine Storage Model 424

FEATURES

- ▶ Undercounter Wine Storage unit with 46 (750 ml) bottle capacity
- ▶ Overlay and stainless steel design options
- ▶ Refrigeration system allows individual temperature control of the two wine compartments and ideal humidity
- ▶ Sturdy, rustproof wire shelves accommodate standard 750 ml bottles, half-bottles, as well as magnums
- ▶ Roller-glide shelves faced with natural cherry wood have a three-quarter extension for easy access
- ▶ Full-view glass door with UV-resistant glass protection
- ▶ High altitude glass door unit can be special ordered
- ▶ Discreet low voltage interior lighting
- ▶ Service light indicator, optional lock and tie-in to home security system
- ▶ UL approved for US and Canada
- ▶ Two, five and twelve year residential warranty—exclusions apply; warranty information can be found on our website, subzero.com

OVERALL DIMENSIONS ▼



Dimensions may vary by $\pm 1/8"$ (3).

Dimensions in parentheses are in millimeters unless otherwise specified.



Wine Storage Model 424



WINE STORAGE

MODEL OPTIONS ▼

Overlay Design	424_/O
Classic Stainless Steel	424_/S

DOOR OPTIONS

Full-View Glass Door	424G/_
High Altitude Glass Door	424HAG/_

You must allow 90 days from order to delivery for high altitude glass door unit.

ACCESSORIES

- ▶ Tubular handles in classic, platinum and carbon stainless steel
- ▶ Polished chrome handle for overlay design
- ▶ UL approved door lock kit

Accessories are available through your Sub-Zero dealer. To obtain local dealer information, visit the Locator section of our website, subzero.com.

SPECIFICATIONS ▼

Model 424	Undercounter Wine Storage Unit
Overall Width	23 ⁷ / ₈ " (606)
Overall Height	34" (864)
Overall Depth	24" (610)
Wine Storage Capacity	46 Bottles (750 ml)
Minimum Height Required	34 ¹ / ₄ " (870)
Door Swing Clearance	25 ³ / ₈ " (645)
Electrical Requirements	115 V AC, 60 Hz, 15 amp circuit
Shipping Weight	Overlay - 190 lbs (86 kg) Stainless Steel - 195 lbs (88 kg)
Special Note	High altitude glass door is available for elevations 5,000' (1524 m) or above

Specifications are subject to change without notice.

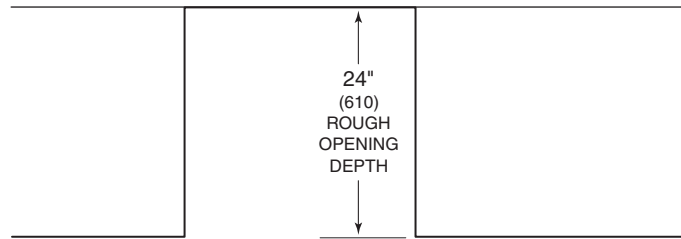


Wine Storage Model 424

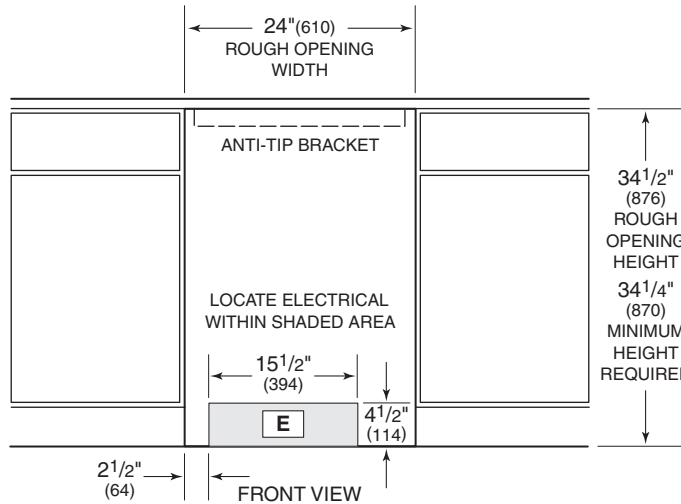
INSTALLATION SPECIFICATIONS



WINE STORAGE



TOP VIEW



DIMENSIONS

Finished Rough Opening Width	24" (610)
Finished Rough Opening Height	34 1/2" (876)
Finished Rough Opening Depth	24" (610)
Location of Electrical	Within shaded area

See Installation Instructions shipped with unit for detailed specifications.



Wine Storage Model 424

INSTALLATION NOTES

- ▶ Refer to the illustrations and specifications for overall dimensions, finished rough opening dimensions and installation specifics.
- ▶ The Wine Storage unit must be installed to open a minimum of 90° or you will have problems pulling the shelves out.
- ▶ For corner installations, you need allow for a minimum 3" (76) filler so the door can open to 90°. If you are using some larger handle hardware, you will also need to take that into account.
- ▶ If you are installing a wine unit next to an existing Sub-Zero unit, you may have to allow for a filler strip. Also, if there is 2" (51) or less in between units, an optional heater kit will need to be installed to prevent moisture from forming in between units. The optional heater kit is available from your Sub-Zero dealer. To obtain local dealer information, visit the Locator section of our website, subzero.com.
- ▶ If you are connecting the unit to your home security system, you must allow a minimum of 36" (914) of the system's wiring to be routed in the electrical area designated for your model.
- ▶ The anti-tip bracket must be installed to prevent the unit from tipping forward.
- ▶ When planning to install the Model 424 next to adjoining cabinetry, you must make provisions to allow the door to open to a maximum of 145° and not interfere with the door panel. Refer to the full-scale illustration on page 11 for cabinetry dimensions.
- ▶ For the overlay design, you will need to provide a door panel frame for the glass door. Refer to pages 6-7 for complete panel information.

IMPORTANT NOTE: A solid door panel must not be installed on a glass door unit, as this may cause moisture to form behind the panel.

- ▶ For overlay panel applications, you must supply your own handle hardware. It is recommended you use our optional handles and use the pre-drilled holes supplied to locate the handles within the frame of our unit. Refer to page 8 for specifics about installing handle hardware.
- ▶ For Model 424, the weight limit for the door panel frame is 10 lbs (5 kg).
- ▶ Sub-Zero has provided a natural cherry wood facing to each of the wine shelves. You can choose to replace these strips with wood more complementary to your design and surrounding cabinetry. Refer to the full-scale illustration on page 10 for dimensions on the wood facing.
- ▶ A 115 V AC, 60 Hz, 15 amp fused electrical supply is required. It is recommended that a separate circuit, serving only this appliance, be provided.
- ▶ All Sub-Zero Wine Storage units are equipped with a power supply cord with a 3-prong grounding plug which must be plugged into a mating 3-prong grounding type wall receptacle. Locate electrical within the shaded area shown in the installation illustration on page 4.
- ▶ You must follow all National Electrical Code regulations. In addition, be aware of local codes and ordinances when installing your service.
- ▶ Refer to the Wine Storage Installation Instructions packed with the appliance, which provides step-by-step procedures for making sure the unit is installed properly.



Wine Storage Model 424



WINE STORAGE

⚠ CAUTION

A solid panel must not be installed on a glass door unit, as this may cause moisture to form behind the panel.

INTEGRATING CABINETRY

Unless you are installing a stainless steel unit, you will need to provide a door panel frame for the glass door. If you order a stainless steel unit, the Model 424 will be shipped with panels and hardware installed.

OVERLAY PANELS

The overlay panel applied to Model 424 should not be confused with the Built-In overlay panel application. The overlay panel will consist of only a frame and would be either the $\frac{5}{8}$ " (16) or $\frac{3}{4}$ " (19) panel you may be using. It is affixed directly to the door itself with screws through a series of pre-drilled holes in the perimeter of the door itself. You do not need any backer or spacer panel.

The glass door opening of the Model 424 is designed to be exposed to room air circulation. Decorative overlays on the glass should be kept to a minimum. Also, rails and stiles can be increased in size but should not exceed cabinet manufacturers standard width. They cannot exceed overall door panel dimensions specified, as they would interfere with the operation of the door. The back sides of rails and stiles that will be visible through the glass door will need to be finished. Also, the inside edges of the frame must be finished to match the front surface.



Wine Storage Model 424



WINE STORAGE

⚠ CAUTION

A solid panel must not be installed on a glass door unit, as this may cause moisture to form behind the panel.

OVERLAY PANELS

The door frame of the unit has pre-drilled holes for our optional handle hardware. Refer to Hardware Considerations on page 8 for specifics about installing handle hardware on this overlay application.

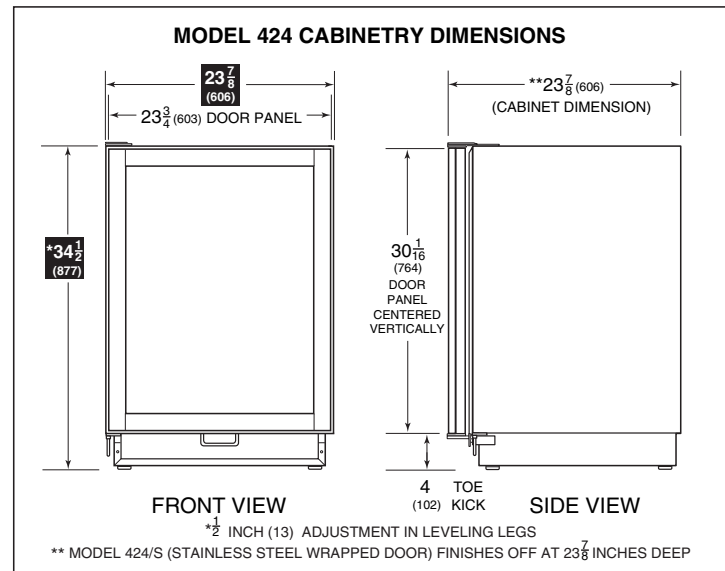
When planning to install the Model 424 next to adjoining cabinetry, you must make provisions to allow the door to open to a maximum of 145° and not hit the door panel. Refer to the full-scale illustration at the end of this section.

To give you a better idea of the exact space the Model 424 needs and how the panel fits in relationship with the unit, refer to the chart and illustration below.

For additional specifications and installation information specific to Model 424, refer to pages 2-5.

OVERLAY PANEL SPECIFICATIONS ▼

Door Panel (W x H)	23 ³ / ₄ " (603) x 30 ¹ / ₁₆ " (764)
Width of Rails and Stiles	2 ¹ / ₄ " (57) min
Door Panel Weight Limit	10 lbs (5 kg)
Panel Thickness	5/ ₈ " (16) min





Wine Storage Model 424



WINE STORAGE

⚠ CAUTION

When planning for hardware, please refer to the **Door Frame Profile full-scale illustration on the following page to give you a better understanding of the unit's frame and positioning of the glass for the door. You must not drill through the glass.**

HARDWARE CONSIDERATIONS

With the Model 424 (overlay), you must supply your own handle hardware. It is recommended you use our optional handles and use the pre-drilled holes supplied to locate the handles within the frame of our unit. The metal frame on the door has numerous mounting holes on each side to accommodate Sub-Zero accessory handles. This will allow you to provide the best possible handle alignment and not take away from the strength of the stile in this area after the unit is used a number of times. We recommend using a pull handle and not a pull knob.

If you elect to place different hardware on these units, we encourage you to fasten the hardware by passing through our door and attach the hardware through the Sub-Zero door's frame.

Optional stainless steel handles are available in a variety of diameters and lengths in the classic, platinum and carbon stainless steel finishes and polished chrome. Contact your Sub-Zero dealer for specifics. To obtain local dealer information, visit the Locator section of our website, subzero.com.

WOOD FACING - WINE SHELVES

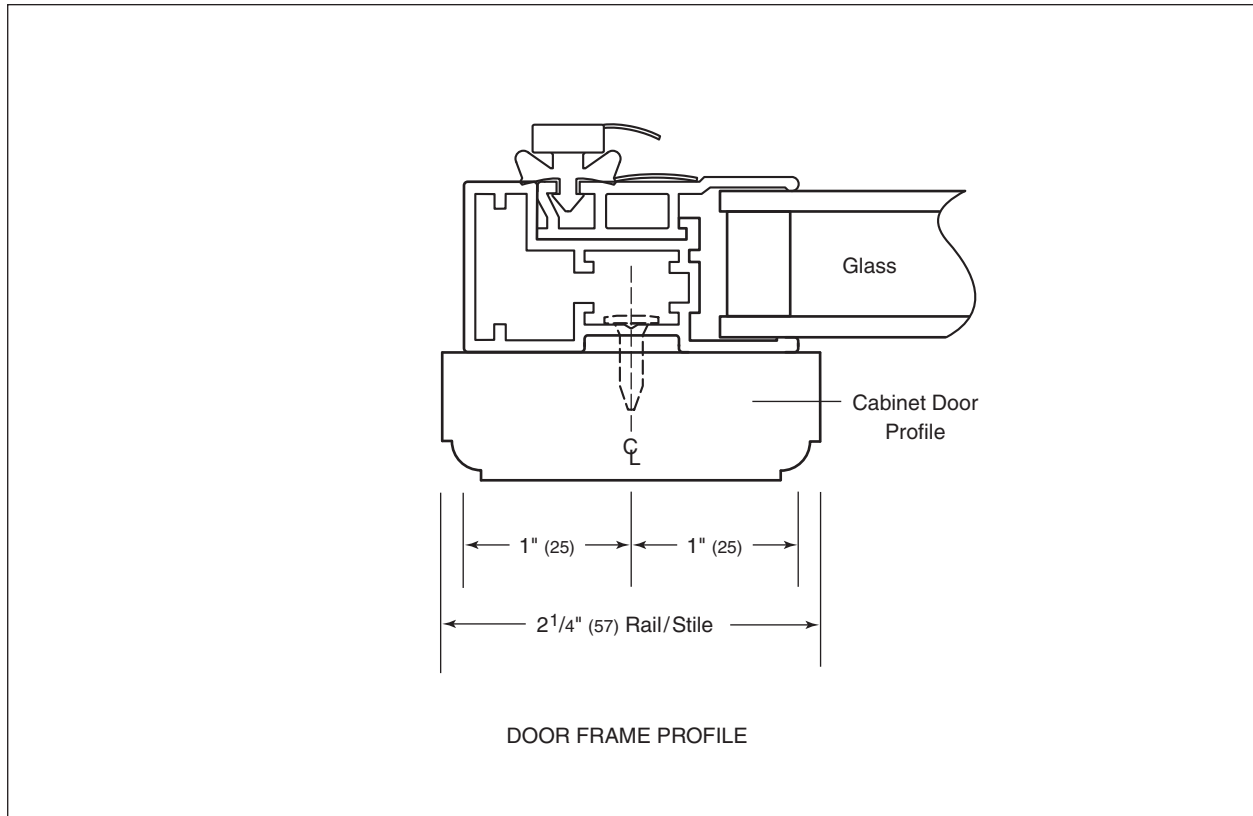
Sub-Zero has provided a natural cherry wood facing to each of its wine shelves in each model. If, however, you would like to replace these strips with wood more complementary to your design and surrounding cabinetry, you can.

The Wine Shelf Wood Facing Dimensions illustration, on page 10, can be used as a full-scale template. You must follow the layout of this format to accommodate the shelves properly. To remove the cherry strips, take the shelves out and merely remove the screws. Reverse the procedure to affix the new wood.

If you choose to stain or seal the wood facing, be aware that some of these substances are hazardous and will damage stored wine.

Wine Storage Model 424

WINE STORAGE DOOR FRAME



WINE STORAGE

The full-scale illustration above shows a cross-section of the Model 424 door frame profile.

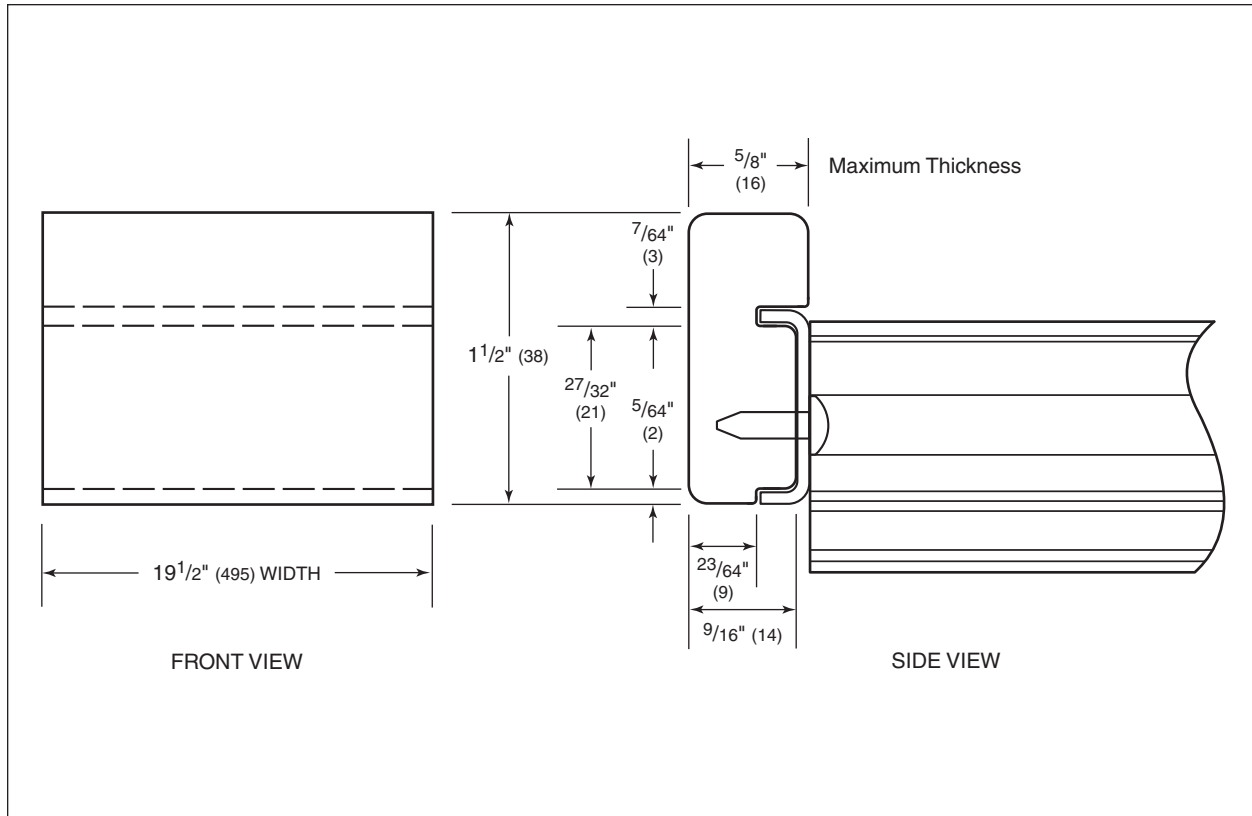
FULL-SCALE TEMPLATE

The full-scale illustrations on this page and the following pages enable you to understand some of the unique situations you may face as you design the Wine Storage units into homes. These templates can be easily photocopied or used in your tracings.

IMPORTANT NOTE: Rails and stiles must be a minimum of 2 1/4" (57) wide. The back sides of rails and stiles that will be visible through the glass door will need to be finished.

Wine Storage Model 424

WINE SHELF WOOD FACING



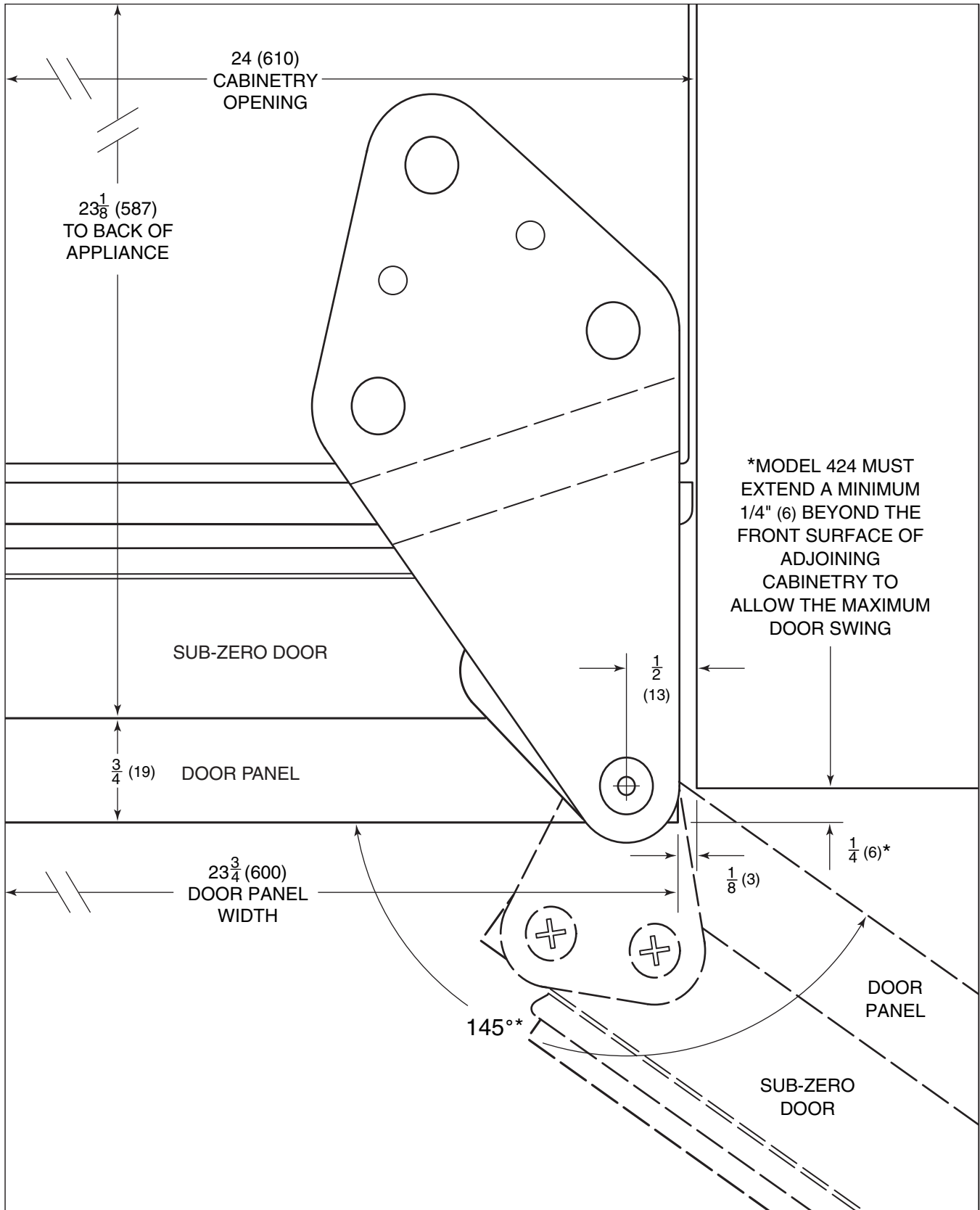
WINE STORAGE

FULL-SCALE TEMPLATE

Use the full-scale illustration above as a template if you choose to replace the natural cherry wood facing with wood more complementary to your design and surrounding cabinetry.

Wine Storage Model 424

DOOR CLOSED AND 145° MAX OPENING



Dimensions in parentheses are in millimeters unless otherwise specified.