

26" Wine Storage Cabinet 135 Bottles – 1 Zone | WS 13500
Undercounter



CAPACITY

135 bottles (0.75L Bordeaux type)

OUTSIDE DIMENSION

Inches H/W/D:
65 1/4" x 26" X 26 1/2"

Centimeters H/W/D:
165.8 X 66 X 67.1



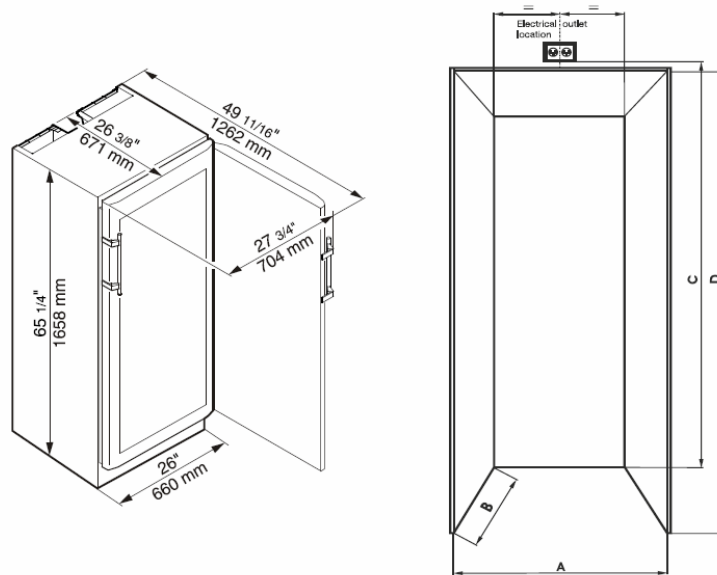
The 26" Wine Cabinet can store up to 135 bottles for preserving large supplies of wine and champagne. Perfect for a wine cellar environment, the accurate electronic control system has a digital temperature display for settings between 41° F (5° C) and 68° F(20° C), and provides smart features for best storage conditions - low vibration, minimized light exposure and appropriate humidity levels

LIEBHERR
A delight in freshness

***THIS IS JUST A QUICK REFERENCE GUIDE, FOR COMPLETE INSTRUCTIONS, PLEASE REFER TO THE DESIGN GUIDE OR VISIT http://www.liebherr-appliances.com/resource_center/index.html**

Unit Dimensions

***Note:** The given cabinet opening height dimension includes 2" for ventilation. If you choose to ventilate the appliance above the cabinet or in a soffit, you will need to adjust the height dimension accordingly.



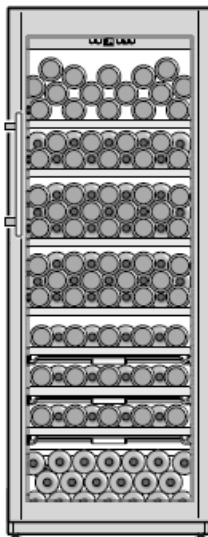
Minimum Cabinet Opening Dimensions:

WS 13500

- A. 26" (660 mm)
- B. 24" (609 mm)
- C. 79-3/8" (2015 mm)
- D. 67-1/4" (1708 mm)*

Electrical Requirements

A 115 Volt, 60 Hz, 15 Amp fused electrical supply is required. Connect undercounter wine cabinet to a 115 VAC, 10 amp (15 Amp for side-by-side installations) circuit that is controlled by a circuit breaker or fuse.



- 3 Telescopic wine racks
- Folding shelf to place wine bottles in a presentation position
- Air filter with active carbon