

Frigidaire

Factory Parts Catalog

Product No.	GLFH21F8HBA
Series	Precision
Color	black
Volts	115
Wiring Diagram	297246001
Owner's Guide	297245700
Market	North America
Energy Guide	297089301

 **Electrolux**

Electrolux Major Appliances
North & Latin America
P.O. BOX 212378
AUGUSTA, GA 30917

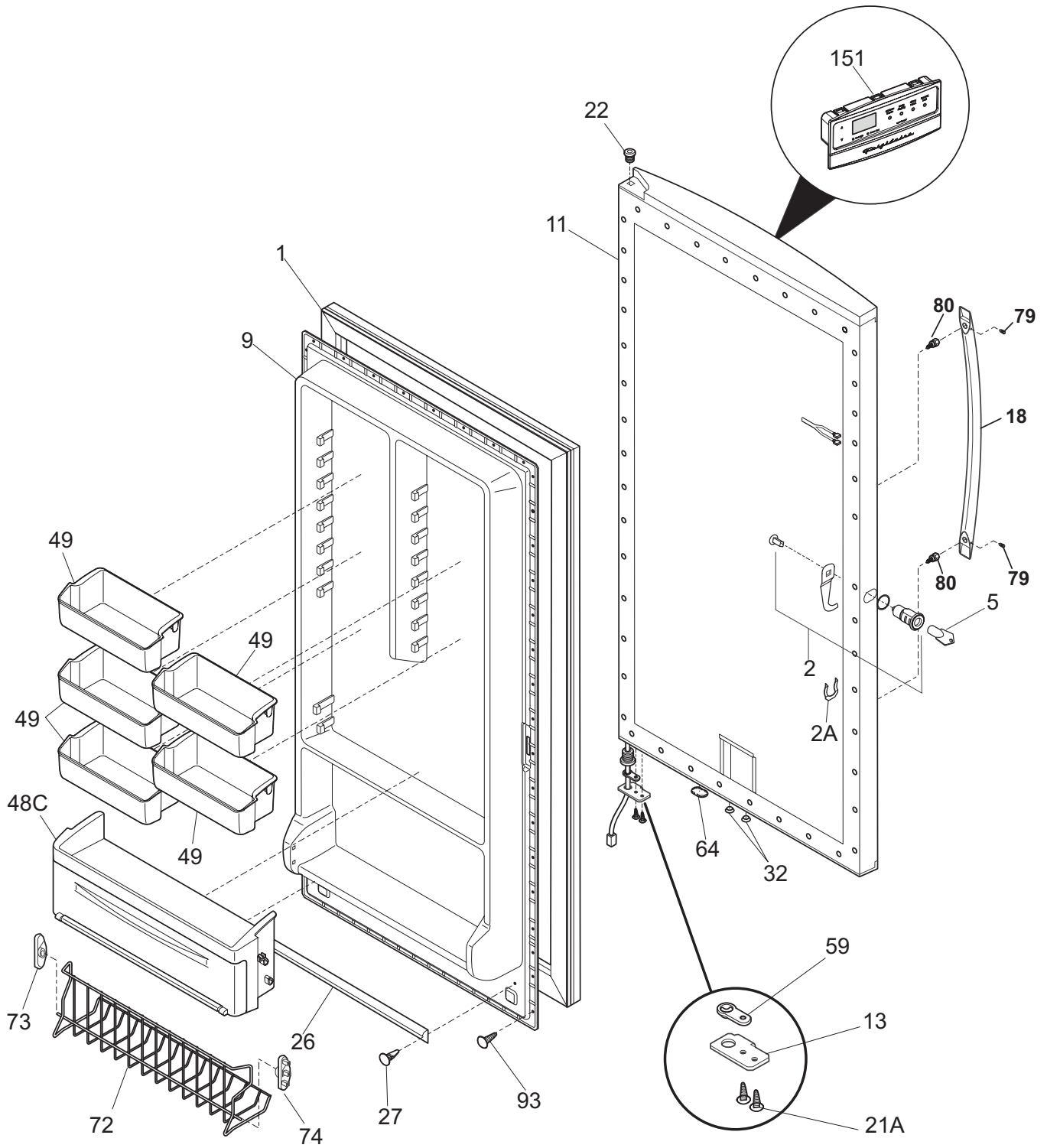
Publication No.
5995523114
08/09/02
(EN/SERVICE/MLR)
365

UPRIGHT FREEZER

Model No.
GLFH21F8HB

Copyright © 2008 Electrolux Home Products, Inc.
All rights reserved.

DOOR

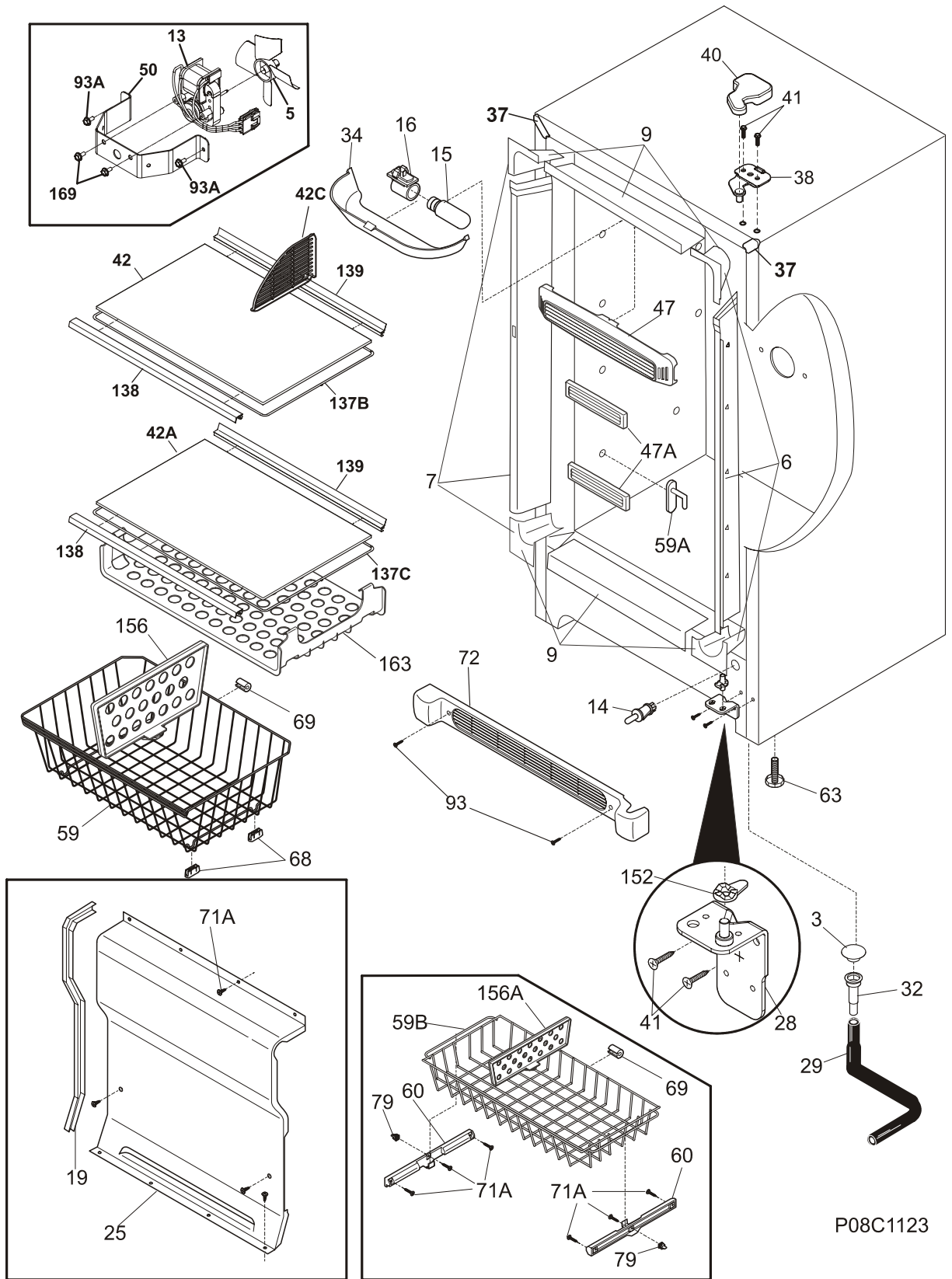


P08D0578

DOOR

POS. NO	PART NO.	DESCRIPTION
1	216522317	Gasket, black, door
2 #	297090000	Lock Assy
2A	297090900	Clip, spring
5	297147700	Key, lock
9	297185900	Panel-inner door, frzr
11	297203903	Panel-outer door, black
13	297154801	Door Stop, black, RH/LH
18	241930103	Handle-door, black
*	240537301	Nut-anchor, door hdl screw
21A	216850900	Screw, hex washer hd, 1/4 x 7/8, door stop/hng
22	216970800	Bearing, hinge w/o'ring, top
26	216524200	Gasket, secondary
27	5303212828	Clip, panel mtg
27*	5304406520	Clip, panel mtg kit, (40)
32	5309950074	Valve, breather
48C	297186400	Bin-door, w/lid
49	297187200	Bin-door, 2-liter
59	216974500	Bearing, door closer
64	216403700	Plug-button, hole filler, door base
72	297186700	Shelf, tilt out, wire
73	216513900	End Cap, shelf, LH, tilt-out
74	216514000	End Cap, shelf, RH, tilt-out
79	218755402	Screw-set, 10-32 x 0.375
80	218755504	Screw-shoulder, #10 AB, handle mounting
93	5304460605	Screw, ph truss head, 8-18AB x 0.500
151#	297241907	Control-electronic, assy, black/chrome, 115V
*	297007500	Clip

CABINET

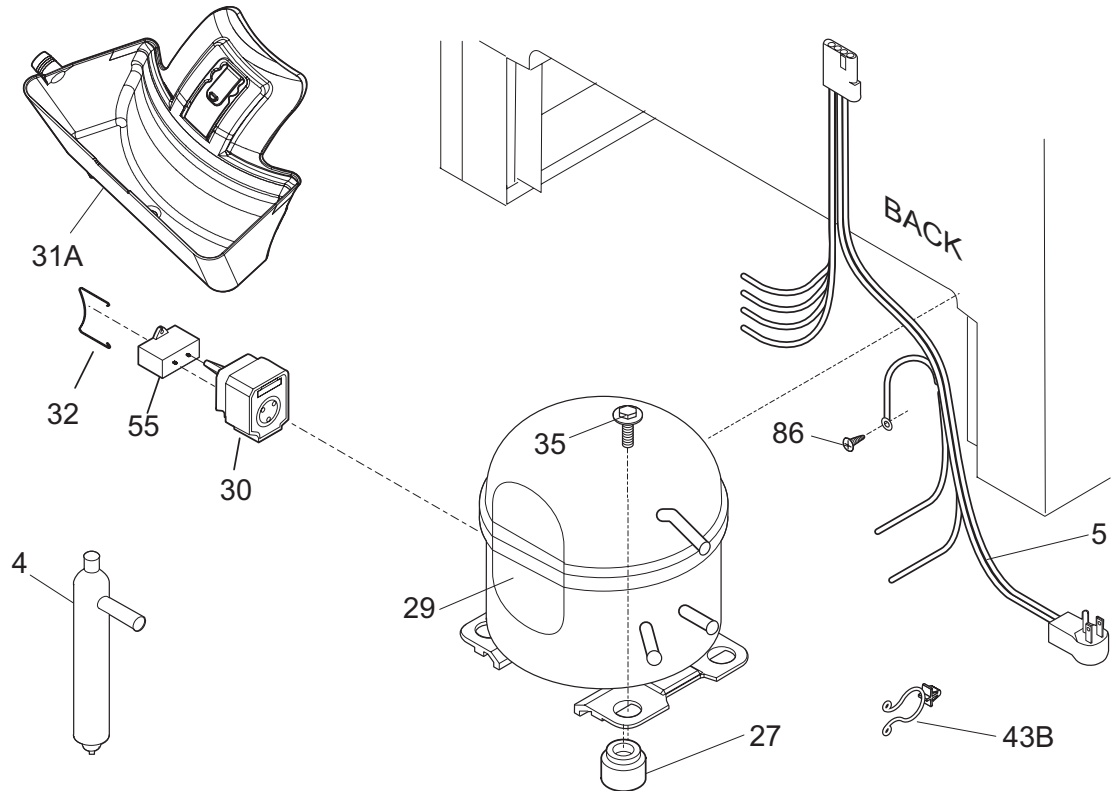
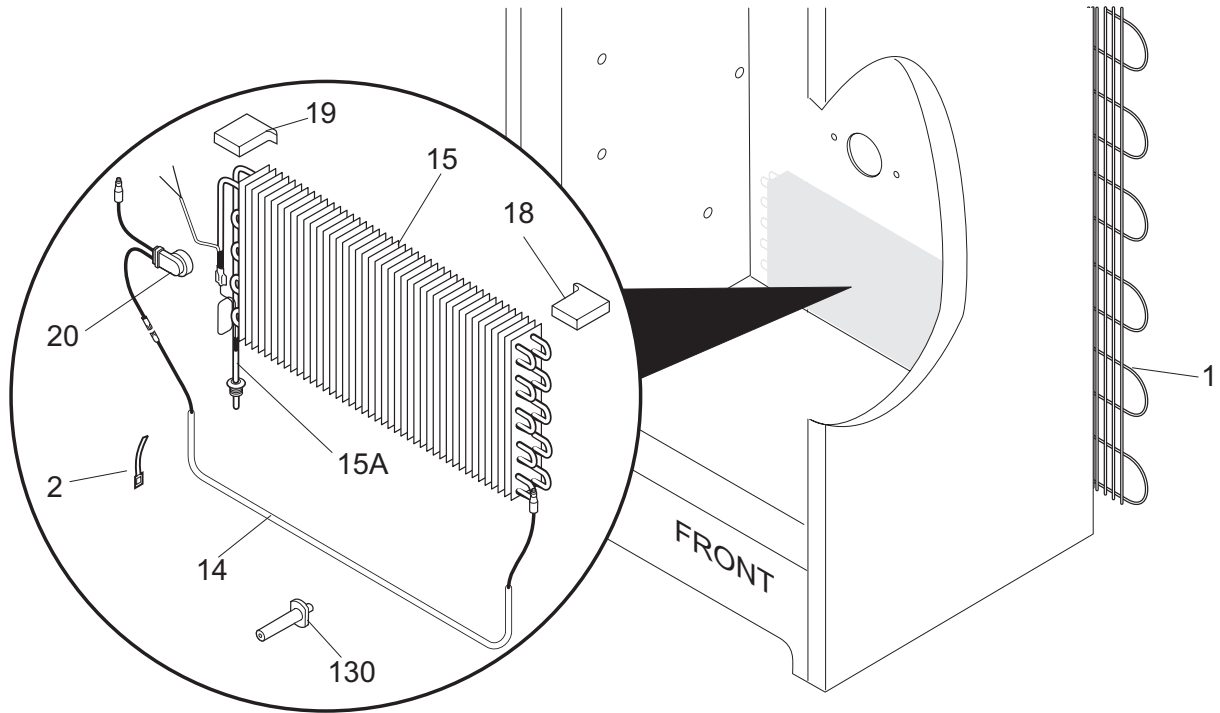


P08C1123

CABINET

POS. NO	PART NO.	DESCRIPTION
3	216503100	Screen-drain
5 #	216325600	Fan Blade
6	297200900	Breaker Kit w/corners
7	297201100	Breaker Kit w/corners, lock catch
9	297200100	Breaker Kit w/corners, 32", top and bottom
13	216934100	Motor, fan, 115 V
14	297243801	Switch, light/lamp, black, plunger
15	216988100	Light Bulb/Lamp, long, blue tint, 40 W, 120V
16	216817601	Socket, light/lamp, 25 W
19	216204902	Gasket-evap cover
25	297099251	Cover-evaporator
28	297179300	Hinge, bottom/RH
29	216313501	Hose-drain
32	5308005500	Drain
34	297184400	Shield-light
37	241611303	Trim-cabinet corner, black, (2)
38	297154600	Hinge-upper
40	297154700	Cover-hinge
41	297236200	Screw, tamper proof, 1/4-20 x 5/8
42	297166802	Glass-shelf, (2)
42A	297166800	Glass-shelf
*	216502400	Grommet-shelf mtg
42C	297183802	Divider, blue, glass shelf
47	297192902	Baffle, air, blue
47A	297205802	Diffuser, air, blue, (2)
50	216394050	Bracket, fan motor mount
59	297210900	Basket
59A	216486500	Stop-basket, (2)
59B	297209600	Basket
60	297013500	Slide, basket
63	216396900	Screw, leveling foot, plastic, adjustable
63*	297164600	Bracket, LH leg levelor
63*	297164601	Bracket, RH leg levelor
68	08009560	Glide-basket
69	5305878546	Bumper-basket
71A	297146800	Screw, 8-18AB x 0.470
72	297198901	Grille/Kickplate, 32", black
79	3017666	Nut-insert
93	5304460605	Screw, ph truss head, 8-18AB x 0.500
93A	216629601	Screw, hex washer head, 10-16 x 0.500, tapping
137B	297166902	Frame, (2)
137C	297166900	Frame
138	297203602	Trim-shelf, front
139	297218202	Trim-shelf, rear
152	216974600	Bearing, hinge closer
156	297202402	Divider, basket, btm
156A	297183602	Divider, basket, (2)
163	297185302	Shelf, pizza
169	216912401	Screw, hex washer head, 8-32 x 0.500, bracket fan mtr, (2)
*	297001704	Insulation, 24", drain tube
*	297089301	Energy Guide
*	297249900	Instructions, elect guide, Precision
*	297257400	Label, start guide

SYSTEM



P08S0485

SYSTEM

POS. NO	PART NO.	DESCRIPTION
1 #	5300083897	Condenser
2	5308000110	Strap-evap/heater, aluminum, (2)
4	216987500	Drier-filter
5 #	297237603	Harness-main
14 #	216730700	Heater-defrost
15 #	216997300	Evaporator
15A	297217900	Heat Exchanger, suct/cap tube
18	297078700	Insulator-evap, styrofoam
19	297078800	Insulator-evap, styrofoam
20	216872200	Thermostat, defrost
27	5308002681	Grommet, compressor
29 #	297223500	Compressor, w/o electricals
30	216954218	Controller
31A	297217000	Pan-drain
32	216954300	Clip, controller
35	297177200	Bolt, compressor
43B	297048400	Clip
55	216985001	Capacitor-run, 15 MF
86	216036601	Screw, RWHD, 8-32A x 0.500, GX-CA
130	297244700	Support, evaporator mtg
*	216502500	Sleeve, suction line
*	240555002	Screw-#8-32 X 3/8
*	297014500	Plug-suction line
*	297018400	Thermistor
*	297102800	Spacer-tube
* #	297169900	Cord-power, flat