

# *Frigidaire*

## Factory Parts Catalog

Product No.	FRT21G5JQ0	FRT21G5JW0
Series	R134a	R134a
Color	bisque	white
Volts	115	115
Wiring Diagram	241582401	241582401
Owner's Guide	241857201	241857201
Market	North America	North America
Energy Guide	241615452	241615452
Service Data Sheet	241588203	241588203
Installation Instructions	240568303	240568303

 **Electrolux**

Electrolux Major Appliances  
North & Latin America  
P.O. BOX 212378  
AUGUSTA, GA 30917

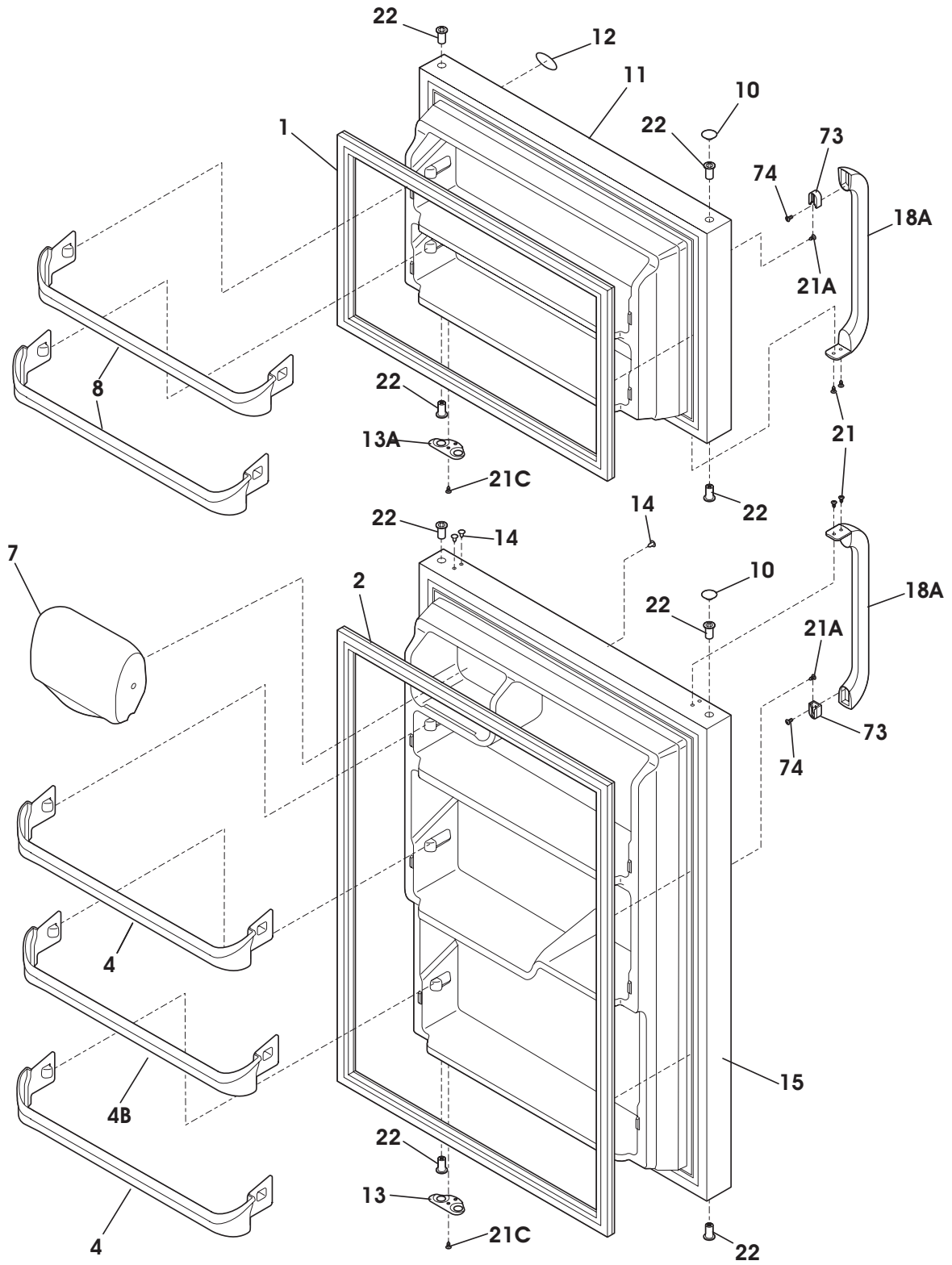
Publication No.  
**5995509873**  
08/03/24  
(EN/SERVICE/DCS)  
137

**TOP-MOUNT  
REFRIGERATOR**

**Model No.  
FRT21G5J**

Copyright © 2008 Electrolux Home Products, Inc.  
All rights reserved.

DOOR



N05DBDCKA0

---

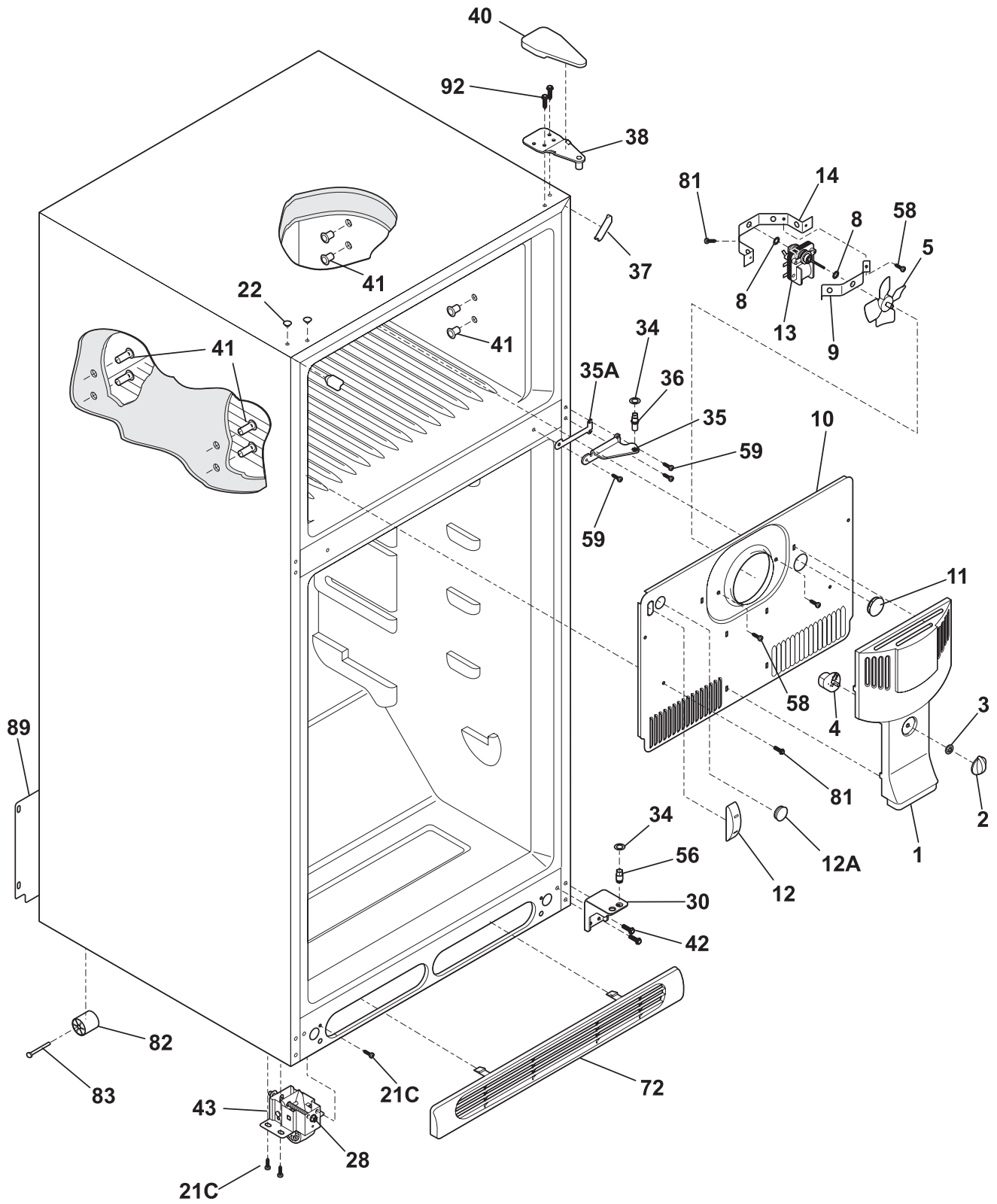
**DOOR**


---

*Model Index:* A FRT21G5J (FRT21G5JQ0)  
 B FRT21G5J (FRT21G5JW0)

POS. NO	PART NO.		DESCRIPTION
1	241872505	A B	Gasket-frzr door, white, magnetic
2 #	241872513	A B	Gasket, refr door seal, white, magnetic
4	240534901	A B	Rack-door
4B	240534701	A B	Rack-door, 4B
7	240337703	A B	Door-dairy, w/o graphics, clear
8	240534801	A B	Rack-door
10	240381302	A -	Plug-button, bisque, hinge brg hole, (2)
10	240381301	- B	Plug-button, white, hinge brg hole, (2)
11	241798405	A -	Door-frzr, bisque, complete assy
11	241798401	- B	Door-frzr, white, complete assy
12	241808601	A B	Label-nameplate
13	240312407	A -	Door Stop, bisque, ref
13	240312403	- B	Door Stop, white, ref
13A	240312408	A -	Door Stop, bisque, frzr
13A	240312404	- B	Door Stop, white, frzr
14	240494002	A -	Plug-button, bisque
14	240494001	- B	Plug-button, white
15	241798505	A -	Door, refr, bisque, complete assy
15	241798501	- B	Door-refr, white, complete assy
18A	218428119	A -	Handle-door, bisque, w/block & screw
18A	218428101	- B	Handle-door, white, w/block & screw
21	240383406	A B	Screw, truss hd quad, #10-16 x .500, zinc
21A	240521303	A B	Screw, #10-16 x 1/2
21C	218252201	A B	Screw, #8 truss hd, 10-32CA x 0.500
22	240527101	A B	Bearing-hinge, natural color
73	218396700	A B	Block-handle mtg, dovetail
74	215503203	A B	Screw, cr pan hd, 10-16 x 0.500

CABINET



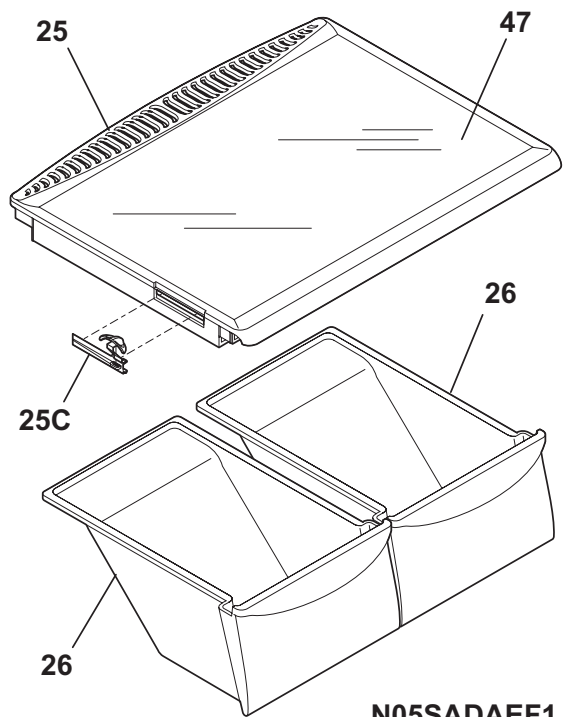
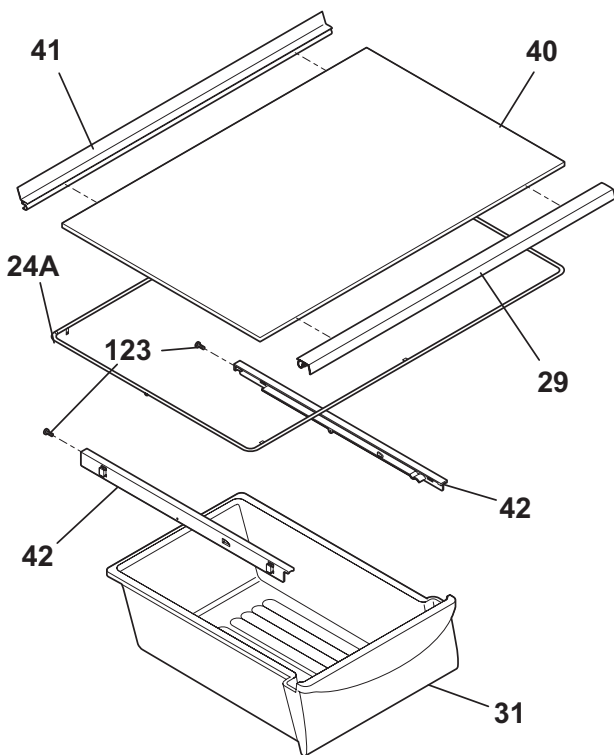
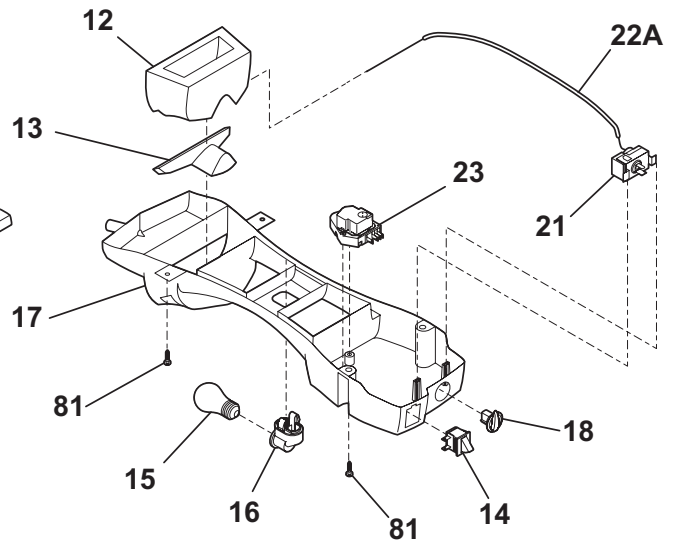
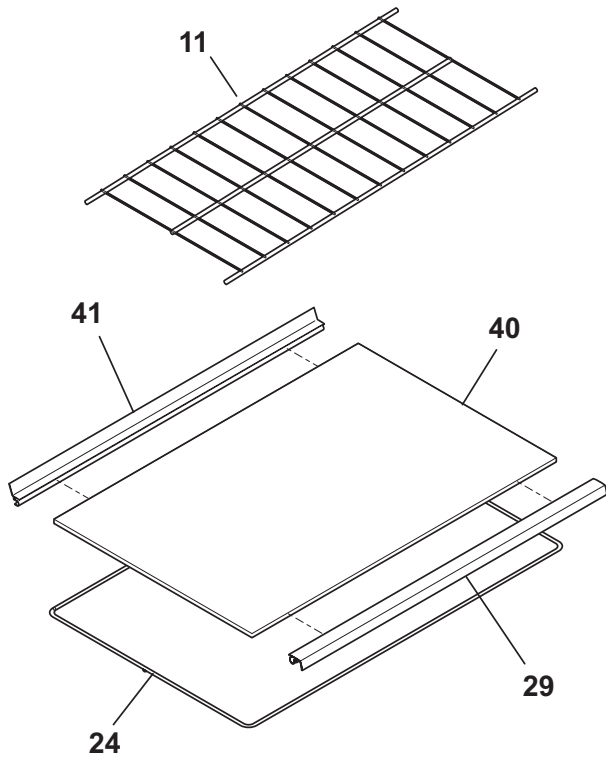
N05BBAABA17

**CABINET**

*Model Index:* A FRT21G5J (FRT21G5JQ0)  
B FRT21G5J (FRT21G5JW0)

POS. NO	PART NO.		DESCRIPTION
1	240355402	A B	Cover-fan
2	240367001	A B	Knob-damper control
3	5303212803	A B	Nut
4	241523701	A B	Damper-fan cover
5	5308000010	A B	Fan Blade, red, evaporator fan
8	5300157666	A B	Bushing-motor mtg, (2)
9	5303292396	A B	Bracket-motor mtg, front
10	240313612	A B	Cover-evap coil, w/o light
10*	240568606	A B	Seal-coil cover
10*#	240524701	A B	Wiring Harness, freezer section
11	5303208309	A B	Plug-hole, factory test
12	241557601	A B	Plug-ice maker harness, rectangular
12A	240374401	A B	Plug-wtr inlet tube, round, 1"
12A*	241586701	A B	Plug-foam-wtr-inlet, round
13#	240369702	A B	Motor-evap fan
13*	215474201	A B	Washer, "slinger", nylon, evap fan shaft
14	5303292397	A B	Bracket-motor mtg, rear
14*	240433204	A B	Screw, hex washer head, 8-18 x 5/16
21C	218252201	A B	Screw, #8 truss hd, 10-32CA x 0.500
22	215774919	A -	Plug-button, bisque, upr hinge holes
22	215774901	- B	Plug-button, white, upr hinge holes
28	240335502	A B	Bolt-roller adj, hex washer head, 1/4-20 x 4.020, (2), special
30	240314011	A B	Bracket-lower hinge, zinc
34	240311303	A B	Washer, hinge, nylon, (2)
35	240313806	A B	Bracket-ctr hinge, zinc
35A	240336802	A B	Spacer-hinge, center
36	240516402	A B	Pin-center hinge
37	240337611	A -	Trim-cabinet corner, bisque, (2)
37	240337608	- B	Trim-cabinet corner, white, (2)
38	240313701	A B	Bracket-upper hinge
40	240354403	A -	Cover-upper hinge, bisque
40	240354401	- B	Cover-upper hinge, white
41	5308009759	A B	Grommet, shelf mtg, 1.25", LH, (4)
42	240578902	A B	Screw, hex head, 1/4-20 x 5/8
43	240335005	A B	Roller Assy, adjustable, front, (2)
56	240516502	A B	Pin-lower hinge
58	5304456287	A B	Screw, hex washer head, 8-15A x 0.500
59	240442706	A B	Screw-#10-32 X 3/4, zinc
72	241839406	A -	Grille/Kickplate, bisque
72	241839405	- B	Grille/Kickplate, white
81	5304455650	A B	Screw, hex washer head, 8-15A x 0.625, low profile
82	5304418225	A B	Roller, compressor base, rear, (2)
83	5304455655	A B	Rivet, flat head, 1/4 OD x 1-3/4, roller pin
89	241733907	A B	Cover-access, with label
89*	241500303	A B	Screw, hex washer head, 8-18AB x 0.500
92	241710601	A B	Screw, hex washer hd, 1/4 x 7/8, hinge mtg
*	240479601	A B	Plug, button, cab liner holes
*	5304414035	A -	Paint, touch-up, bisque
*	5303321319	- B	Paint, touch-up, white

**SHELVES**



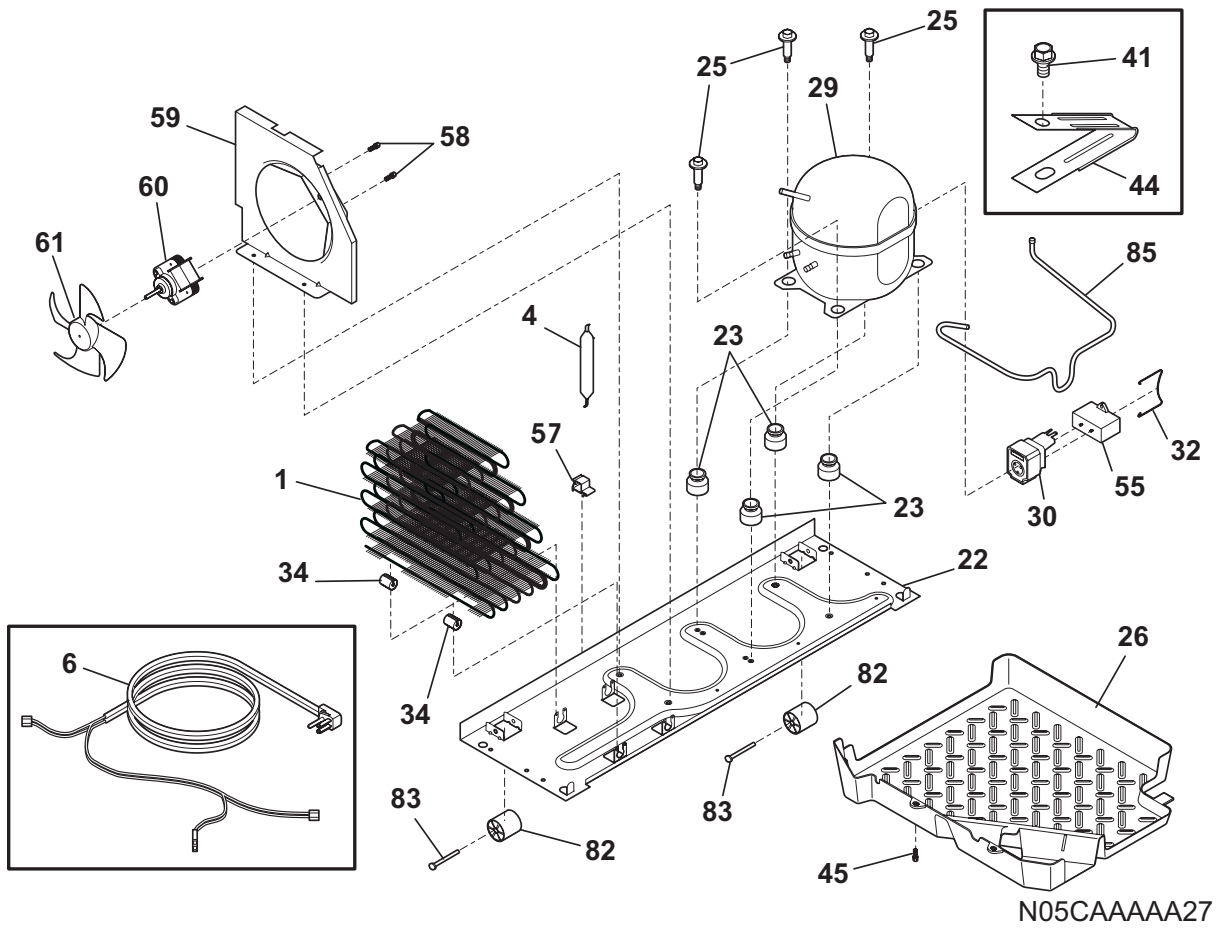
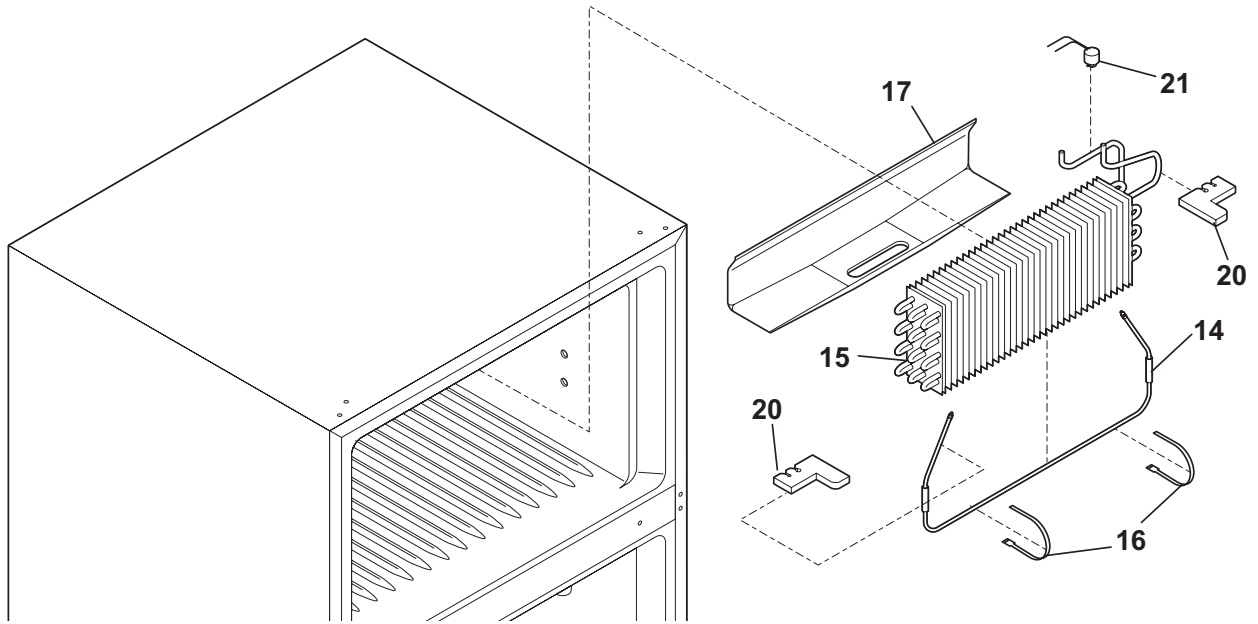
**N05SADAEF1**

**SHELVES**

*Model Index:* A FRT21G5J (FRT21G5JQ0)  
B FRT21G5J (FRT21G5JW0)

POS. NO	PART NO.		DESCRIPTION
11	240358006	A B	Shelf, freezer, full-width, wire
12	240545901	A B	Diffuser-air, top
13	240362601	A B	Diffuser, air, bottom
14	241554901	A B	Switch-light/lamp
15	241555401	A B	Light Bulb
16	241559801	A B	Socket-light
17	240368102	A B	Control Box
17*	240388701	A B	Wiring Harness, control box
18	240360801	A B	Knob, temp control
21 #	5304445058	A B	Control-temperature
22A	240468201	A B	Tube, sensor sleeve, 31 inch, plastic, white
23 #	215846606	A B	Timer, defrost, 60 Hz, 0.25 W, 120 V, 10 hour/30 min
23*	5304455649	A B	Screw, pan hd, 6-20 x 0.438
24	240372407	A B	Frame-shelf, sliding, full width
24A	240372408	A B	Frame-shelf, sliding, full width, w/hanger tabs
25	240364717	A B	Cover-crisper pan
25C	241613502	A B	Control-humidity, LH
26	240343803	A B	Pan, crisper, (2)
29	240357704	A B	Trim-shelf, front
31	240530803	A B	Pan-meat, w/o graphics, clear
40	240350621	A B	Glass-shelf, 23.78 x 18.02, full shelf
41	240561502	A B	Trim-shelf, rear
42	240530601	A B	Track, meat pan hanger, LH
42	240530701	A B	Track, meat pan hanger, RH
47	240350609	A B	Insert-pan cover, glass
81	5304455650	A B	Screw, hex washer head, 8-15A x 0.625, low profile
123	215005101	A B	Screw, hanger/r/r mtg, 8-10 x 7/16
*	241615452	A B	Energy Guide

**SYSTEM**



N05CAAAAA27



---

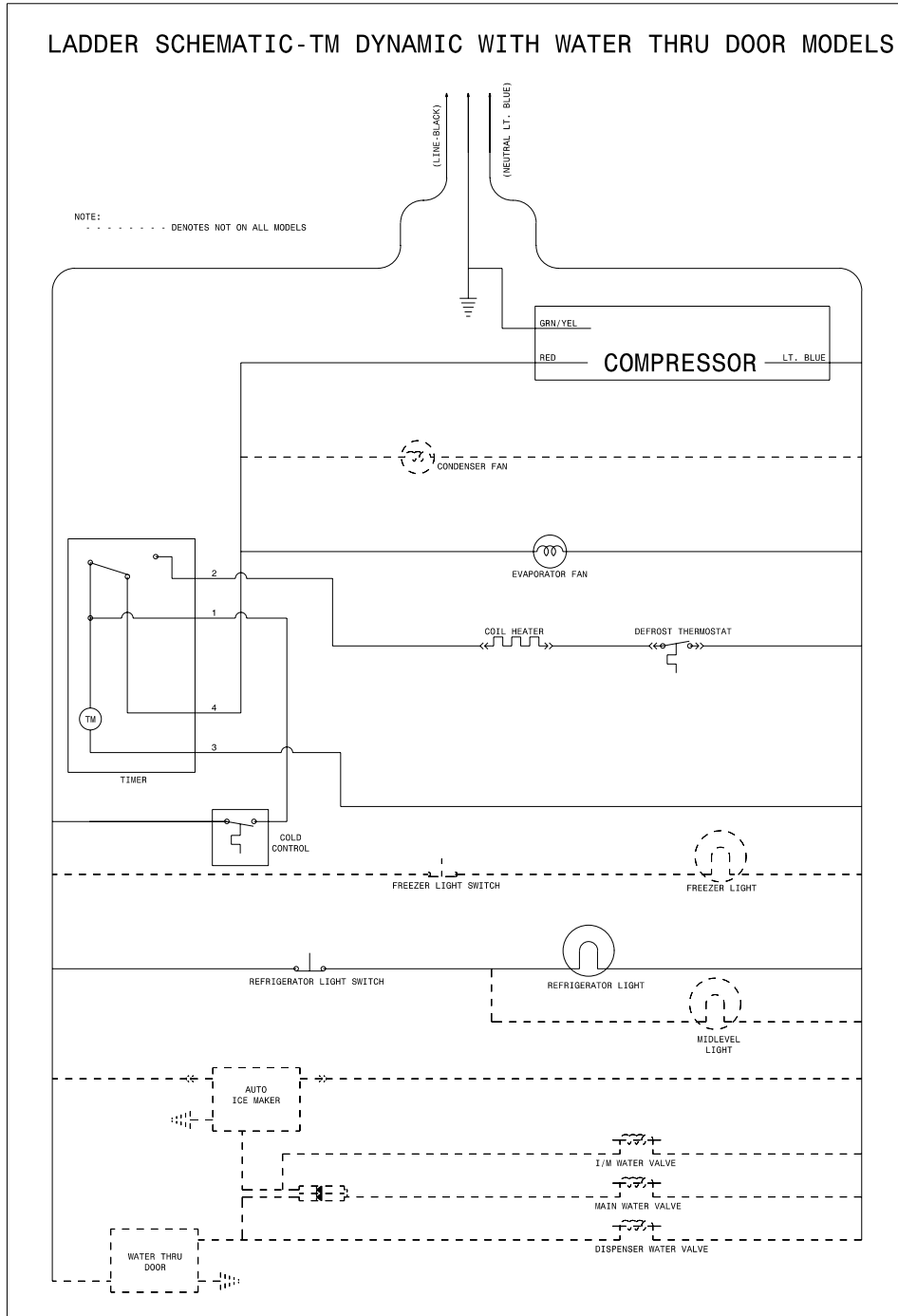
**SYSTEM**


---

*Model Index:* A FRT21G5J (FRT21G5JQ0)  
 B FRT21G5J (FRT21G5JW0)

POS. NO	PART NO.		DESCRIPTION
1 #	241682903	A B	Condenser, dynamic
4 #	218944001	A B	Drier-filter, R134a System
6 #	241607001	A B	Harness-wiring, machine compt
6* #	240388701	A B	Wiring Harness, control box
6* #	240524701	A B	Wiring Harness, freezer section
14 #	240356217	A B	Heater-defrost
15 #	5303918274	A B	Evaporator Kit
16	5308000110	A B	Strap-evap/heater, aluminum, (2)
17	241801301	A B	Trough-drain
20	241551902	A B	Insulation Block
21 #	5303918202	A B	Thermostat-defrost, kit
22	241602010	A B	Base-compressor
22*	218252201	A B	Screw, #8 truss hd, 10-32CA x 0.500
22*	218709101	A B	Screw, hex head, 10-32 x 0.500
23	241659701	A B	Grommet, compressor
25	240491503	A B	Screw-compressor mtg, 1/4-28 x 1.16, (4)
26	241637401	A B	Pan-defrost
29 #	5303918352	A B	Compressor Kit
30	241707705	A B	Starter-PTC
32	216954300	A B	Clip, controller
34	240405201	A B	Grommet, rubber, black, cond tube/wire
41	240555002	A B	Screw-#8-32 X 3/8
44	215174700	A B	Clamp-service cord, strain relief, galv steel
45	5304455650	A B	Screw, hex washer head, 8-15A x 0.625, low profile
55	218909913	A B	Capacitor, run, 220 VAC, 15 microfarad
57	240542601	A B	Clip-wiring harness
58	218897004	A B	Screw, hex washer head, 8-32 x 0.375
59	241681101	A B	Shroud-cond fan
59*	240346701	A B	Tape-foam seal, shroud
59*	240359403	A B	Screw-fan shroud, (2)
60 #	241696602	A B	Motor-condenser fan
61 #	240524101	A B	Fan Blade, galv steel, condenser fan
82	5304418225	A B	Roller, compressor base, rear, (2)
83	5304455655	A B	Rivet, flat head, 1/4 OD x 1-3/4, roller pin
85	241665801	A B	Tube-connector, suction
* #	240396801	A B	Clamp, tube/wiring, nylon, black/natural
* #	5303918330	A B	Heat Exchanger Kit, suction line, service
* #	5304421289	A B	Hot Tube Repair Kit, service

WIRING SCHEMATIC



# WIRING DIAGRAM

