

DMT2420

AMTK27, AMTK30, AMTK36, AOMTK27, AOMTK30

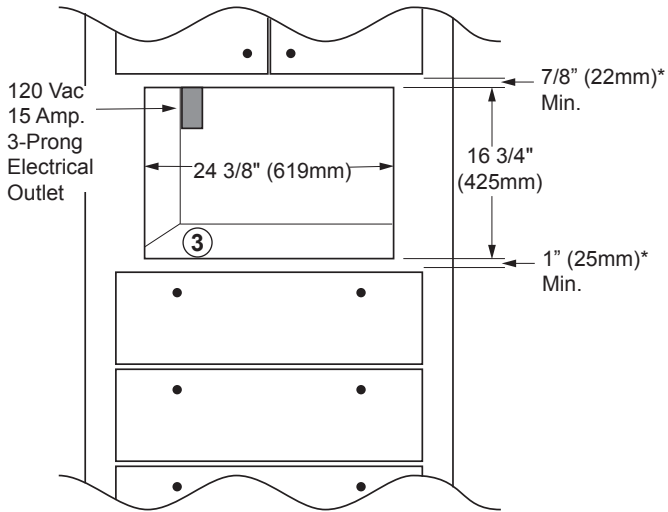
dacor
The Life of the Kitchen.®

Revised
05/05/08

Microwave Oven

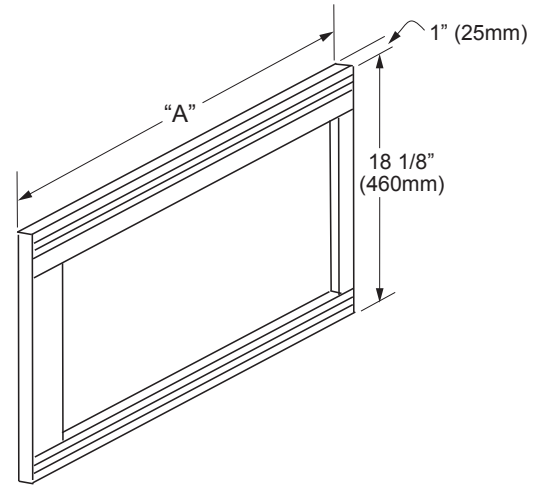
1/1

**PLANNING
GUIDE**

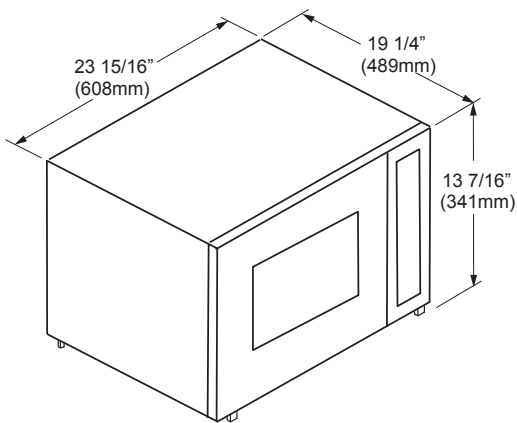


MICROWAVE AND TRIM KIT

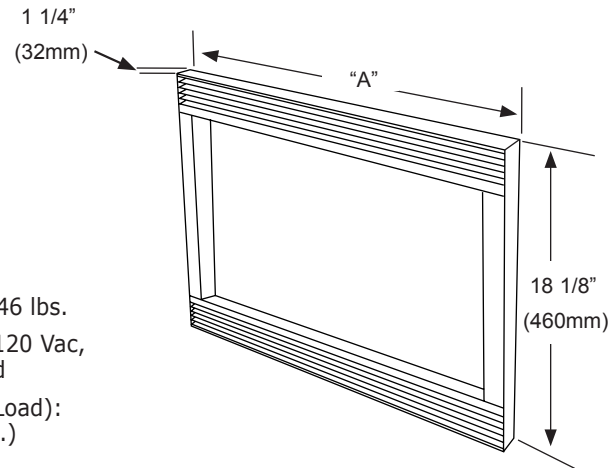
*Bare minimum spacing: Includes additional space to avoid scragging/vibration.



AMTK OVERALL DIMENSIONS
(Epicure® or Millennia™ Trim Kit)



DMT2420 SPECIFICATIONS



AOMTK OVERALL DIMENSIONS
(Preference® Trim Kit)

Shipping Weight: 46 lbs.
Circuit Required: 120 Vac,
15 Amp. dedicated
Total (Connected Load):
1.5 Kw (12.5 Amp.)

NOTE:

1. 24" (610mm) minimum exterior cabinet depth.
2. See the Combination Installation (CI) Section if installing with a wall oven, or warming oven.
3. 3/4" (19mm) support platform (flush with cutout).
4. Microwave is supplied with a 42" (1067mm) power cord, with a three prong grounded plug.
5. Tolerances: +1/16" (1.6mm), -0 unless otherwise specified.

Model No.	"A" Overall Width	Trim Kit Overlays	Approximate Shipping Weight
AMTK27	27" (686mm)	5/8" (16mm) Top, 3/4" (19mm) Bottom	12 lbs.
AMTK30	30" (762mm)		12 lbs.
AMTK36	36" (914mm)		16 lbs.
AOMTK27	27" (686mm)		17 lbs.
AOMTK30	30" (762mm)		18 lbs.

Web: <http://www.Dacor.com>
Corporate Phone: 800-793-0093

Specifications are subject to change without notice.
See installation instructions for additional details.