



INSTALLATION INSTRUCTIONS

EPIASURE® COOKTOPS

For Use with Models:

ESG366

ESG486

TABLE OF CONTENTS

| | | | |
|--|------------|--|----------|
| Important Safety Instructions | 1-2 | Gas and Electrical Supply Requirements | 5 |
| Safety Symbols and Labels | 1 | Installing the Cooktop | 6 |
| General Safety Precautions | 2 | Connecting the Gas | 6 |
| Planning the Installation | 3-4 | Installing the Burner Components..... | 6 |
| Verifying the Package Contents..... | 3 | Connecting the Electrical | 7 |
| Planning the Installation Cabinet and Countertop | | Verifying Proper Operation..... | 7-8 |
| Preparation..... | 3-4 | Notes | 9 |
| Installation Instructions | 5-8 | | |

BEFORE YOU BEGIN...

IMPORTANT

- **Installer:** In the interest of safety and to minimize problems, read these installation instructions completely and carefully before you begin the installation process. Leave these installation instructions with the customer.
- **Customer:** Keep these installation instructions for future reference and the local electrical inspector's use.

If you have questions or problems with installation, contact your Dacor dealer or the Dacor Customer Service Team.

Dacor Customer Service Team

Phone: (800) 793-0093
Web site: www.Dacor.com

All specifications are subject to change without notice. Dacor assumes no liability for changes to specifications.

IMPORTANT SAFETY INSTRUCTIONS

IMPORTANT INFORMATION ABOUT SAFETY INSTRUCTIONS

- The **Important Safety Instructions** and warnings in these instructions are not meant to cover all possible problems and conditions that can occur. Use common sense and caution when installing, maintaining or operating this or any other appliance.
- Always contact the Dacor Customer Service Team about problems and conditions that you do not understand.

SAFETY SYMBOLS AND LABELS

DANGER

Indicates immediate hazards that **WILL** result in severe personal injury or death.

WARNING

Indicates hazards or unsafe practices that **COULD** result in severe personal injury or death.

CAUTION

Indicates hazards or unsafe practices that **COULD** result in minor personal injury or property damage.

DANGER

IMPORTANT: If you smell gas:

- Do not use or light any appliance.
- Do not touch any electrical switch or use any electrical devices, including the telephone, in your building.
- From a neighbor's phone, immediately call the gas supplier. Follow the gas supplier's instructions.
- If you cannot contact the gas supplier, call the fire department.

IMPORTANT: Do not store or use combustible, flammable or explosive vapors and liquids (such as gasoline) on or in the vicinity of this or any other appliance. Also keep items that could explode, such as aerosol cans, away from the cooktop. Do not store flammable or explosive materials in adjacent cabinets or areas (including above and below the cooktop).

CALIFORNIA PROPOSITION 65 WARNING

The burning of gas cooking fuel generates some by-products that are on the list of substances which are known by the State of California to cause cancer or reproductive harm. California law requires businesses to warn customers of potential exposure to such substances. To minimize exposure to these substances, always operate this unit according to the use and care manual, ensuring you provide good ventilation when cooking with gas.

WARNING

NEVER use this appliance as a space heater to heat or warm the room. Doing so may result in carbon monoxide poisoning and overheating of the appliance.

WARNING

NEVER cover any slots, holes or passages on the cooktop and cooktop chassis. Doing so blocks air flow through the cooktop and may cause carbon monoxide poisoning. Aluminum foil linings may also trap heat, causing a fire hazard. Keep all slots, holes and passages clear of grease and grime.

READ AND SAVE THESE INSTRUCTION

IMPORTANT SAFETY INSTRUCTIONS

GENERAL SAFETY PRECAUTIONS

To reduce risk of fire, electric shock, serious injury or death when using your appliance, follow basic precautions, including the following:

WARNING

If the information in this manual is not followed exactly, a fire or explosion may result causing property damage, personal injury or death.

1. TO REDUCE THE RISK OF INJURY TO PERSONS IN THE EVENT OF A RANGE TOP GREASE FIRE:
 - a. SMOTHER FLAMES with a close-fitting lid, cookie sheet or metal tray, then turn off the burner. BE CAREFUL TO PREVENT BURNS. If the flames do not go out immediately, EVACUATE AND CALL THE FIRE DEPARTMENT.
 - b. NEVER PICK UP A FLAMING PAN - you may be burned.
 - c. DO NOT USE WATER, including wet dish cloths or towels - a violent steam explosion may result.
 - d. Use a fire extinguisher ONLY if:
 - You have a Class ABC extinguisher, and you already know how to operate it.
 - The fire is small and contained in the area where it started.
 - The fire department is being called.
 - You can fight the fire with your back to an exit.

WARNING

1. Read all instructions before using the appliance.
2. Improper installation, adjustment, alteration, service, or maintenance can cause personal injury or property damage. Refer to these instructions and the accompanying Use & Care Manual. For assistance or additional information, consult a qualified installer, service agency, manufacturer (dealer), or the gas supplier.
3. For your safety do not use or attempt to use this appliance in the event of a power failure.
4. This appliance must not be used in combination with surface (countertop) ventilation systems. The use of an overhead hood is recommended for ventilation.
5. This appliance must be installed with the gas pressure regulator supplied with it.
6. Disconnect the electrical supply before installing or servicing the appliance.
7. This appliance must be grounded. Connect only to a properly grounded electrical supply. Refer to "Electrical Requirements".

WARNING

8. Install or locate this appliance only in accordance with these installation instructions.
9. Use this appliance only for its intended use as described in this manual. Do not use corrosive chemicals or vapors in this appliance. This type of appliance is not designed for industrial or laboratory use.
10. As with any appliance, close supervision is necessary when used by children.
11. Do not operate this appliance if it has a damaged electrical cord, plug, conduit or wires, if it is not working properly, or if it has been damaged or dropped.
12. Installation of this appliance must be performed by a qualified installer, service agency or the gas supplier.
13. This appliance should be serviced only by qualified service personnel. Contact the nearest DACOR® Authorized Servicer at (800) 793-0093, or at www.Dacor.com for examination, repair or adjustment.
14. Some products, such as whole eggs, and sealed containers, such as closed glass jars, may explode and should not be heated on this cooktop.

PLANNING THE INSTALLATION

VERIFYING THE PACKAGE CONTENTS

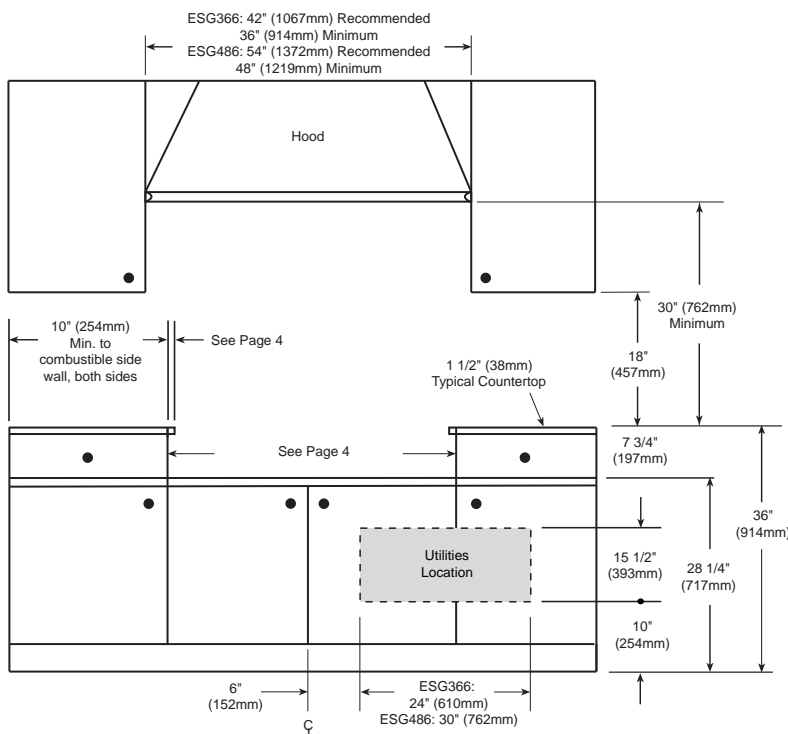
Verify that all required components have been provided. If any item is missing or damaged, please contact your dealer immediately. Do not install a damaged or incomplete appliance.

- Gas Pressure Regulator
- Igniter Cleaning Kit
- Grate/Burner Cap Pack
- Burner Ring Set
- Bolts/Washers
- Griddle
- Simmer Plate
- Spatula
- Stainless Steel Cleaner

PLANNING THE INSTALLATION CABINET AND COUNTERTOP PREPARATION

The installation of this built-in appliance must be completed by a qualified appliance technician or contractor. Proper installation is the owner's responsibility.

Carefully check the location where the cooktop is to be installed. The cooktop should be placed for convenient access, but away from drafts that may be caused by open doors and windows or by HVAC duct outlets. Make certain that gas and electrical power can be provided in the selected locations. Plan the installation so that all minimum clearances are met or exceeded. Dimensions shown provide minimum clearances, unless otherwise noted.



⚠ WARNING

- To reduce the risk of personal injury caused by reaching over a hot appliance, cabinet storage space located directly above the cooktop should be avoided.
- Do not store combustible materials or items adversely affected by heat in cabinet areas above the appliance.

⚠ WARNING

- Failure to provide proper clearances may result in a fire hazard!
- Do not store combustible materials or items adversely affected by heat immediately below the cooktop.
- The back edge of the cooktop must remain a minimum of 2 1/2" (64mm) from any combustible[†] backsplash material. This will require special cabinet and countertop dimensions.

Installations with less than 2 1/2" (64mm) from the rear of the cooktop to a combustible[†] backsplash must use Dacor Backguard model(s) AEB3609, AEB3612, AEB4809, AEB4812 or non-combustible material.

[†]Refer to the latest edition of ANSI Z223.1

IMPORTANT:

When installing the cooktop into a laminated (Formica, etc.) or synthetic (Corian, etc.) countertop, radius the corners of the cutout to prevent cracking of the countertop. Follow the countertop manufacturer's instructions regarding the minimum corner radius, use of heat reflective tape, reinforcement of corners, etc.

NOTES:

- If cabinet storage space is to be provided directly above the cooktop, the risk of personal injury may be reduced by installing a ventilating hood that projects horizontally a minimum of 5 inches (127mm) beyond the face of the cabinets.
- Access to the underside of the cooktop, the electrical connection, the gas shut-off valve and the pressure regulator must be provided for inspection and service.

Plan the installation so that the electrical connection, gas shut-off valve, and pressure regulator are accessible from the front of the cabinet, and that all of the minimum dimensions are provided. Dimensions apply to all models unless otherwise noted. Locate the electrical supply box within reach of the included 48 inch (1219mm) long flexible cord so the connection is accessible when the cooktop is in place.

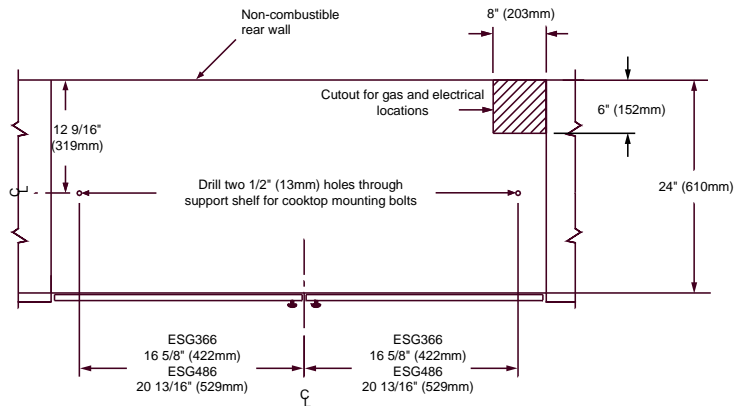
PLANNING THE INSTALLATION

PLANNING THE INSTALLATION CABINET AND COUNTERTOP PREPARATION (CONT.)

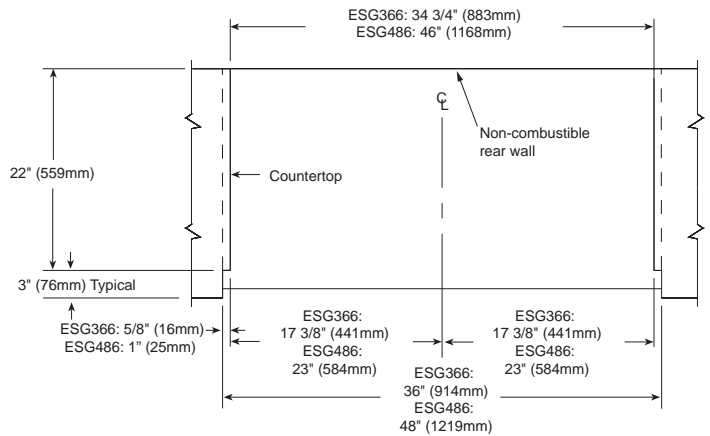
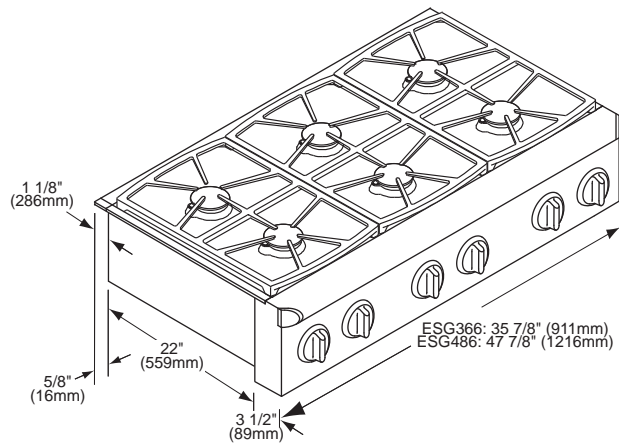
All models are designed to allow installation in standard 24 inch (610mm) deep base cabinets with 25 inch (635mm) overall depth countertops. Deeper cabinets and countertops may be used to provide required clearances to combustible rear wall materials or for design purposes.

The specified minimum cabinet dimensions must be provided. The cabinet and/or countertop must completely enclose the recessed portion of the cooktop. Countertop cutout dimensions must be used as indicated. All contact surfaces between the appliance and countertop must be solid and level.

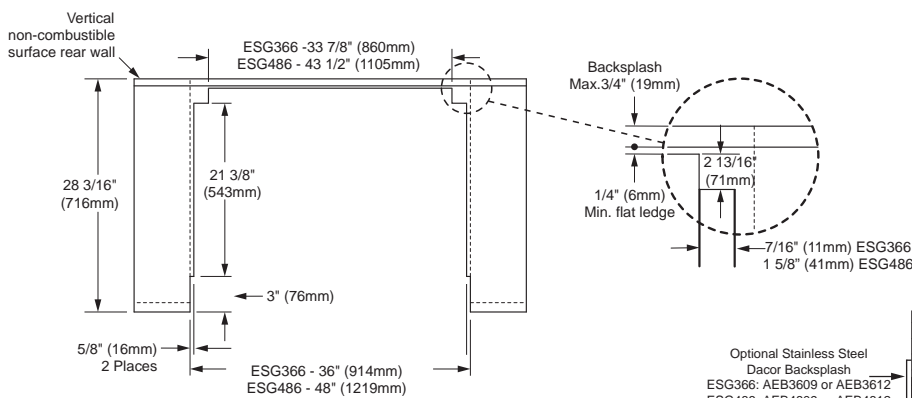
Provide an opening in the countertop for the cooktop as shown. Position the cutout so that the minimum clearances are met.



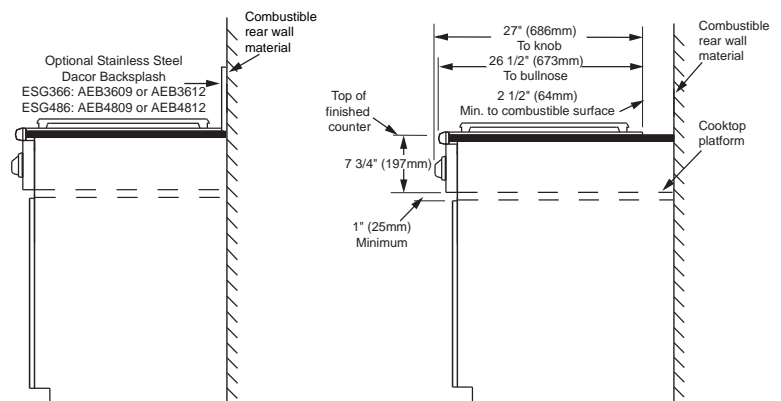
**Base Cabinet Preparation
Non-combustible Rear Wall
Top View**



**Countertop Preparation
Non-Combustible Rear Wall**



**Cutout Dimensions
with Countertop Vent**



Overall Dimensions Clearance to Combustible Rear Wall

INSTALLATION INSTRUCTIONS

GAS AND ELECTRICAL SUPPLY REQUIREMENTS

WARNING

1. If the gas or electric service provided does not meet the product specifications, do not proceed with the installation. Call the selling dealer, the gas supplier, or a licensed electrical or plumbing contractor.
2. The grounding plug must not, under any circumstances, be cut or removed.
3. This appliance must be installed by a licensed plumber or gas fitter when installed within the Commonwealth of Massachusetts.

Electrical Supply Requirements

The ESG366 and ESG486 cooktops are factory-equipped with a three-prong, grounding plug.

It is the owner's responsibility to ensure that the electrical connection of this appliance is performed by a qualified electrician. The electrical installation, including minimum supply wire size and grounding, must be done in accordance with National Electric Code ANSI/ NFPA 70-1993*, (or the latest revision) and local codes and ordinances.

*A copy of this standard may be obtained from:

National Fire Protection Association
1 Batterymarch Park
Quincy, MA 02269-9101

| Model No. | Electrical Circuit Required | Total Connected Load | Gas Type | Manifold Pressure | Min. Gas Supply pressure |
|-----------|-----------------------------|------------------------|----------------|-------------------|--------------------------|
| ESG366 | 120 Vac, 60 Hz, 15 Amps | 0.25 Amps (0.03 Kw) | Natural | 4" Water Column | 5" Water Column |
| ESG366LP | | | Liquid Propane | 10" Water Column | 11" Water Column |
| ESG486 | | | Natural | 4" Water Column | 5" Water Column |
| ESG486LP | | | Liquid Propane | 10" Water Column | 11" Water Column |

Gas and Electrical Requirements

Gas Supply Requirements

Check your local building codes for the proper method of installation. In the absence of local codes, this appliance should be installed in accordance with the National Fuel Gas Code ANSI Z223.1. Be certain that the appliance being installed is correct for the gas service being provided. Refer to the data plate located on the rear of the cooktop chassis and to the Table above.

NOTES:

1. No adjustment of burner settings is required. All valves and air mixture shutters found in this appliance have been factory preset.
2. Liquid propane (LP) cooktops should be special-ordered from the factory. Liquid propane units are identified by the "LP" designation at the end of the model number.
3. Under extenuating circumstances, cooktops may be field converted to operate on LP gas or at elevations in excess of 5,000 feet above sea level. However, field conversion must be completed by a qualified service agency and authorization must be granted by the factory prior to any field conversion.

The correct voltage, frequency and amperage must be supplied to the appliance from an isolated, grounded circuit which is protected by a properly sized circuit breaker or time-delay fuse. The required voltage, frequency, and amperage ratings are listed on the product data plate on the rear of the chassis and are also shown in the Table to the left.

The cooktop must be connected to the power supply with copper wire only. The use of aluminum wire may result in unsatisfactory connections. Flexible armored or non-metallic, sheathed copper cable (with a grounding wire) should be used to supply electrical power to the junction box or receptacle.

The factory-equipped, three-prong grounding plug must be inserted into a mating grounding-type receptacle in accordance with National Electric Code and applicable state, municipal and local codes.

Be certain to locate the electrical outlet so the electrical supply may be easily disconnected in the event that service becomes necessary. Also, provide extra slack in the cord to allow the cooktop to be removed for servicing.

INSTALLATION INSTRUCTIONS

IMPORTANT:

1. If the electrical supply circuit does not have a grounding-type receptacle, it is the responsibility of the customer to have the existing receptacle changed by an electrician to a properly grounded receptacle.
2. The power supply must be properly polarized. Reverse polarity will result in continuous sparking of the electrodes, even after flame ignition. If the power supply is not properly polarized, it is the responsibility of the customer to have the polarity corrected.
3. If there is any doubt as to whether the wall receptacle is properly grounded or polarized, have it checked by a qualified electrician prior to installing the cooktop.
4. Do not plug the cooktop into Ground Fault Circuit Interrupter (GFCI) receptacles. The cooktop spark ignition module can cause a GFCI to trip.

INSTALLING THE COOKTOP

IMPORTANT:

Do not use a hardening compound or caulking to permanently seal the cooktop into place, as the unit must be readily removable for service. If such a hardening compound is used, removal of the unit will be at the customer's expense.

Place and center the cooktop within the cutout. Secure the cooktop to the countertop utilizing the two (2) hold-down 1/4" x 20 x 1 1/2" bolts and flat washers provided. Do not over-tighten the bolts.

CONNECTING THE GAS

⚠ WARNING

1. The maximum gas supply pressure to the regulator must not exceed 1/2 pound per square inch.
2. Verify that the proper gas supply has been provided.
3. Do not apply excessive pressure when tightening connections and fittings.
4. Do not use plumber's putty or Teflon tape on gas compression connections. It can defeat the proper sealing of these fittings. Use plumber's putty or Teflon tape only on pipe thread fittings.
5. Turn all cooktop control valves to the "OFF" position, then turn on the gas supply. Check all supply lines and connections for leaks using a soap and water solution. Do not use a flame to check for leaks. After verifying that there are no gas leaks, turn off the gas supply to the cooktop by turning the gas shut-off valve to the off position. Leak testing of the appliance shall be conducted according to the manufacturer's instructions.
6. For LP gas installations, the LP gas tank must have its own high-pressure regulator. This is in addition to the pressure regulator supplied with the cooktop.

The gas inlet for the cooktop is located on the bottom, at the right rear of the chassis. Attach the gas pressure regulator (included with the cooktop) to the cooktop pipe nipple inlet. For tight installations, the regulator may be installed upstream from the pipe nipple, anywhere between the shut-off valve and the cooktop.

Install a gas shut-off valve (not included with the cooktop) in the main gas supply line in an accessible location under the cooktop. Complete connection of the gas supply to the cooktop by installing 1/2 inch flexible gas line (not included with the cooktop) between the pressure regulator and the shut-off valve. The ESG has a 3/4" (19mm) diameter pipe nipple inlet. All models are compatible with 1/2" (13mm) house piping.

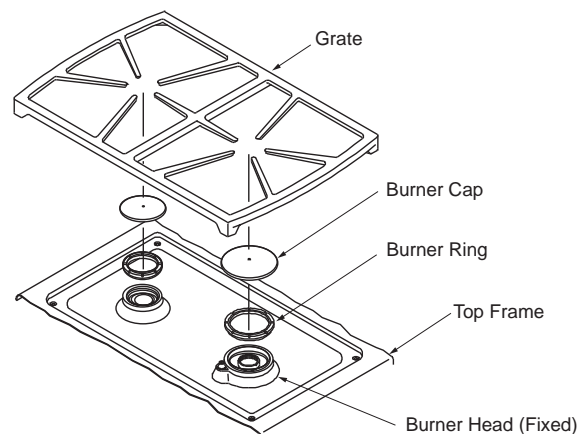
IMPORTANT:

To prevent damage to the gas pressure regulator, install the regulator only after the cooktop is mounted in its permanent position. Ensure that the arrow on the regulator points in the direction of the gas flow towards the cooktop.

INSTALLING THE BURNER COMPONENTS

Remove the brass burner rings, porcelain burner caps, and porcelain grates from their shipping packages. Place each burner ring onto its corresponding burner base, being certain that the five alignment tabs slide into the matching notches in the base. Set each porcelain burner cap on top of its corresponding burner ring.

Place each grate onto the cooktop, being certain that the rubber feet are positioned in the locating dimples.



Burner Components

⚠ WARNING

Never attempt to operate the cooktop with any of the burner rings, burner caps or grates removed.

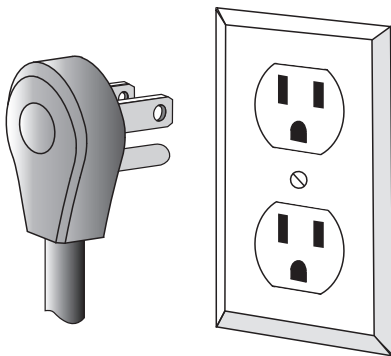
INSTALLATION INSTRUCTIONS

CONNECTING THE ELECTRICAL

WARNING

1. Do not use or attempt to use this appliance in the event of a power failure.
2. Verify that the proper electrical power supply has been provided.
3. Verify that the electrical supply matches the ratings found on the appliance data plate (located on the rear of the cooktop chassis) before proceeding.
4. This appliance must be connected to a grounded, metallic, permanent wiring system. Alternatively, a grounding conductor should be connected to the grounding terminal or lead on the appliance. Failure to do so may result in an electrical shock hazard.
5. Do not use an extension cord with this appliance. Such use may result in fire, electrical shock, or other personal injury.
6. Do not install a fuse in the neutral or ground circuit. A fuse in the neutral or ground circuit may result in an electrical shock hazard.
7. Do not ground this appliance to a gas supply pipe or hot water pipe.

Plug the three-prong plug from the appliance into the properly grounded and polarized wall receptacle.



Three-Prong Plug and Receptacle

VERIFYING PROPER OPERATION

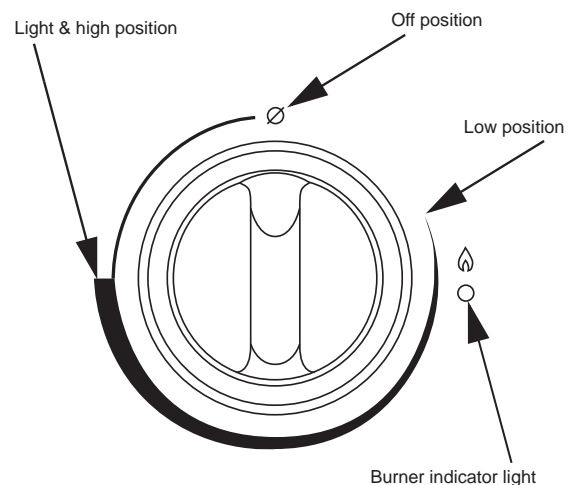
WARNING

1. If the cooktop fails to operate properly, ensure that the electrical power supply and gas supply are turned on and that all installation steps have been carefully followed. Call a qualified service technician if the cooktop still does not operate properly.
2. The cooktop and shut-off valve must be disconnected from the gas supply piping during any pressure testing exceeding 1/2 pound per square inch (3.5 kPa).
3. The cooktop must be isolated from the gas supply piping by closing the shut-off valve during any pressure testing at or below 1/2 pound per square inch (3.5 kPa).

Before beginning the test procedure, ensure that the gas supply is turned off at the shut-off valve, all cooktop control valves are in the "OFF" position, and all burner rings, burner caps, and grates are properly positioned on the cooktop.

Rotate one knob at a time counterclockwise to the "HIGH" position. Verify that all igniters spark continuously, then return the knob to the "OFF" position. Repeat for all knobs.

Turn on the main gas supply to the cooktop by opening the gas shut-off valve. Test each burner separately by pressing and turning one control knob at a time counterclockwise to the "HIGH" position. All igniters will spark continuously, but only the burner with gas flowing to it will ignite. (It will take approximately four seconds for ignition to occur, at which time all igniters will stop sparking. If ignition does not occur within four seconds, turn off the knob, wait for at least two minutes to allow any gas to dissipate, then repeat this ignition test.) The control knob can then be rotated counterclockwise from "HIGH" to "LOW" to adjust the flame height progressively. Repeat the ignition test for all burners.



Gas Control Knob

INSTALLATION INSTRUCTIONS

VERIFYING PROPER OPERATION

(CONT.)

When installed properly, the flame will be steady and quiet. It will also have a sharp, blue inner cone that will vary in length proportional to the burner size. Flame adjustment will not be necessary.

Read and understand the accompanying Use & Care Manual prior to cooking with this appliance. The Use & Care Manual contains additional important safety, service and warranty information.

NOTES

