

EOR, MOR



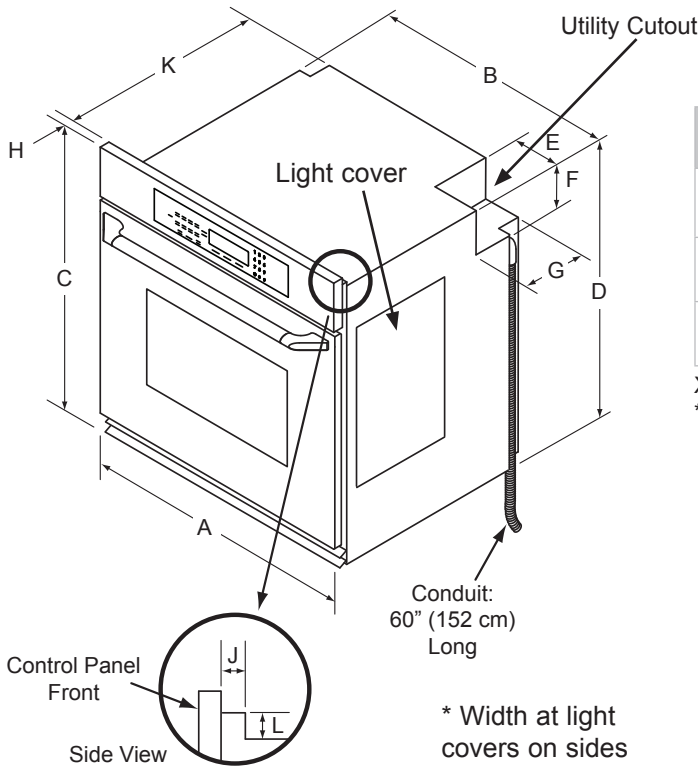
Revised
06/11/08

27", 30", 36" Wide, Single, Renaissance Wall Ovens

1/2

PLANNING GUIDE

All tolerances: +1/16", -0, (+1.6mm, -0) unless otherwise stated



Model Number	Overall Width (A)	Chassis Width (B)*	Overall Height (C)	Chassis Height (D)
EORS127/ MORS127	26 7/8" (68.3 cm)	25 3/8" (64.5 cm)	28 1/2" (67.3 cm)	26 7/16" (67.2 cm)
EORS130/ MORS130	29 7/8" (75.9 cm)	28 3/8" (72.1 cm)		26 5/8" (67.6 cm)
EORS136	35 7/8" (91.1 cm)	34 3/8" (87.3 cm)	28 5/8" (72.7 cm)	26 5/8" (67.6 cm)

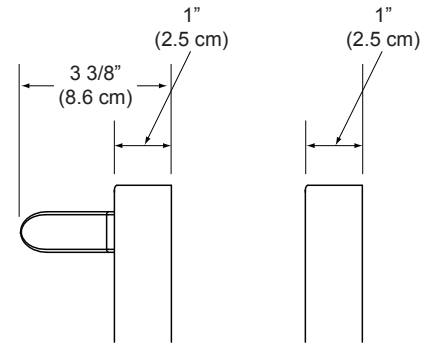
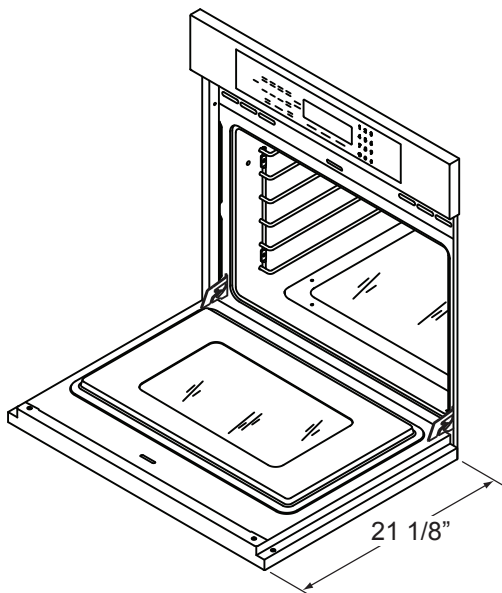
X = Number of convection ovens

* Width at light covers on sides

Model Number	Dedicated Circuit Requirements*	Total Connected Load
EORS127	240 Vac 60 Hz, 30 Amp.	5.0 kW (20.8 Amp.)
MORS127		
EORS130		
MORS130		
EORS136		

* The above specifications are for reference only. See the appliance data plate for exact specifications.

	Utility Cutout Width (E)	Utility Cutout Height (F)	Utility Cutout Depth (G)	Control Panel Depth (H)	Notch Depth (J)	Chassis Depth (K)	Notch Height (L)
All Models	5" (12.7 cm)	5 1/4" (13.3 cm)	6" (15.2 cm)	1" (2.54 cm)	1 1/8" (2.9 cm)	24" (61.0 cm)	1" (2.5 cm)

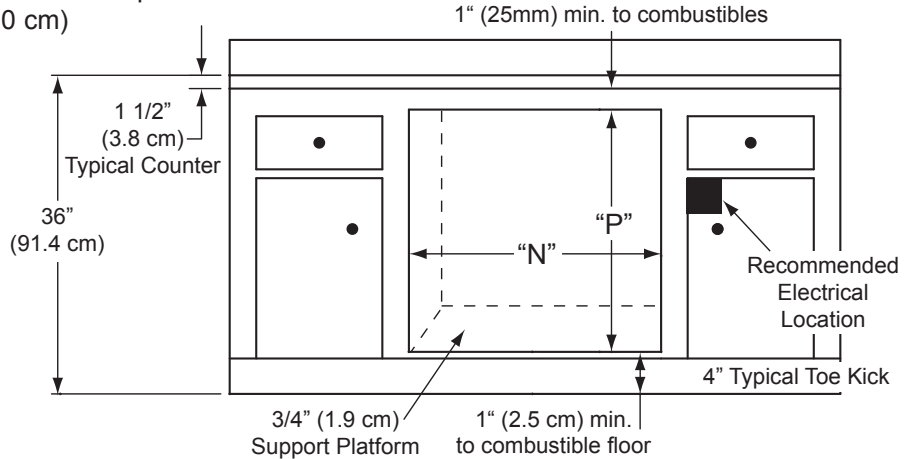


EPICURE

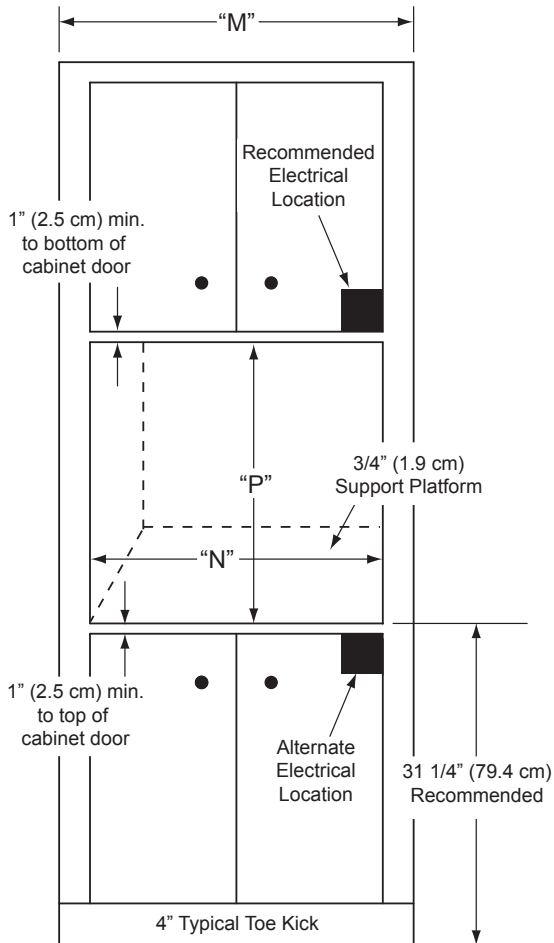
MILLENNIA -
HANDLE IS INTEGRAL

EOR, MOR

Minimum Interior Cabinet Depth:
24" (61.0 cm)



SINGLE WALL OVEN - INSTALLED UNDER COUNTER



SINGLE WALL OVEN - CUT OUT DIMENSIONS

Model Number	Minimum Cabinet Width (M)	Minimum Cut Out Width (N)	Minimum Cut out Height (P)
EORS127/ MORS127	27" (68.6 cm)	25 1/2" (64.8 cm)	27 5/8" (70.2 cm)
EORS130/ MORS130	30" (76.2 cm)	28 1/2" (72.4 cm)	
EORS136	36" (91.4 cm)	34 1/2" (87.6 cm)	27 3/4" (70.5 cm)