

EWD, IWD, MWDV, MWDH, MRWD, PWD Warming Drawers

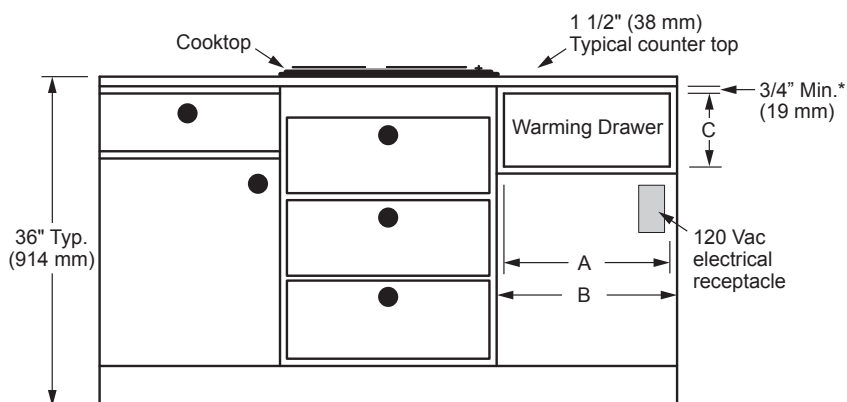
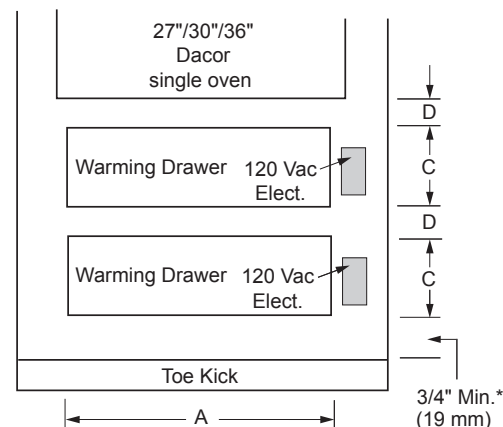
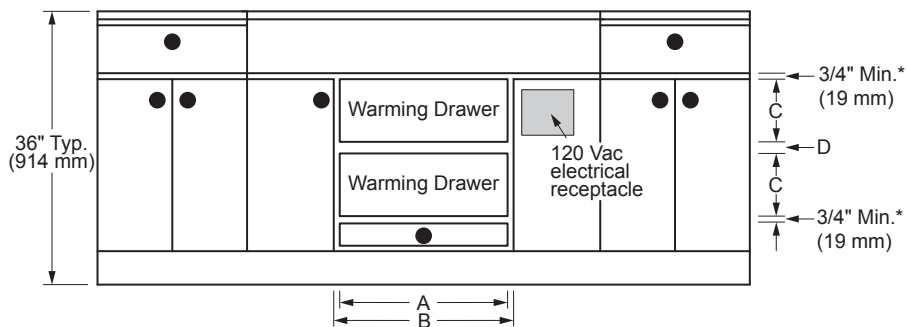
dacor
The Life of the Kitchen.®

Revised
06/03/08

**24", 27", 30", 36" Wide,
Warming Drawers**

1/2

**PLANNING
GUIDE**



Model	"A" Cutout Width	"B" Min. Width to Adjacent Doors/Drawers	"C" Cutout Height	"D" Min. Vertical Gap Between Cutouts
IWD24	22 1/2" (572mm)	24 1/4"* (616mm)	9 1/8" (232mm)	1 1/16"* (27mm)
EWD24				
EWD27	25 1/2" (648mm)	27 1/4"* (692mm)		
IWD27				
MWDH27				
MWDV27				
MRWD27				
PWD27				
EWD30	28 1/2" (724mm)	30 1/4"* (768mm)		
IWD30				
MWDH30				
MWDV30				
MRWD30				
PWD30				
EWD36	34 1/4" (870mm)	36 1/4" (921mm)		

* EWD36 cannot be stacked. Bare minimum spacing shown allows extra space to avoid scrapping and allow for ventilation. On IWD series models, additional space may be required if an oversized drawer front is used. Use the drawer face dimensions for the corresponding EWD series model for reference.

**CUTOUTS DIMENSIONS
CUTOUT DEPTH: 24" MIN. (610mm)**

EWD, IWD, MRWD, MWDV, MWDH, PWD Warming Drawers

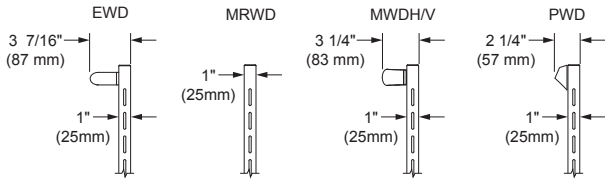
dacor
The Life of the Kitchen.®

Revised
06/03/08

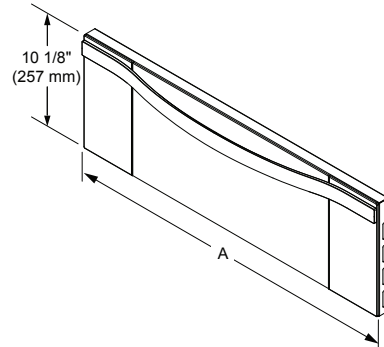
**24", 27", 30", 36" Wide,
Warming Drawers**

2/2

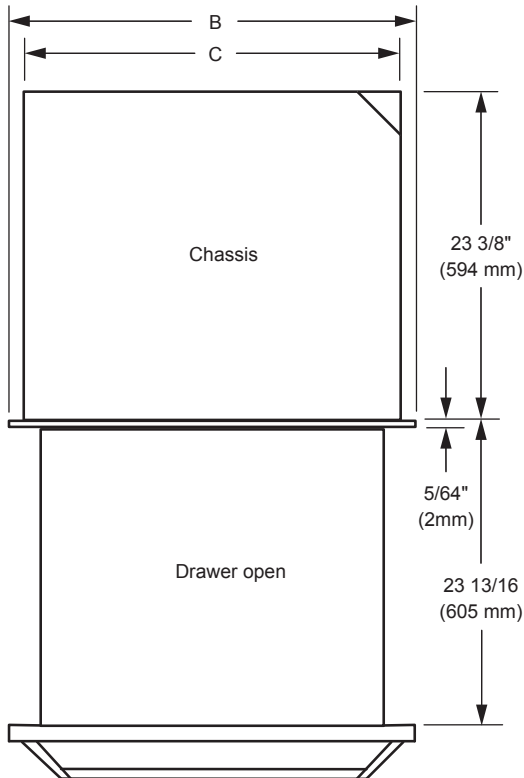
**PLANNING
GUIDE**



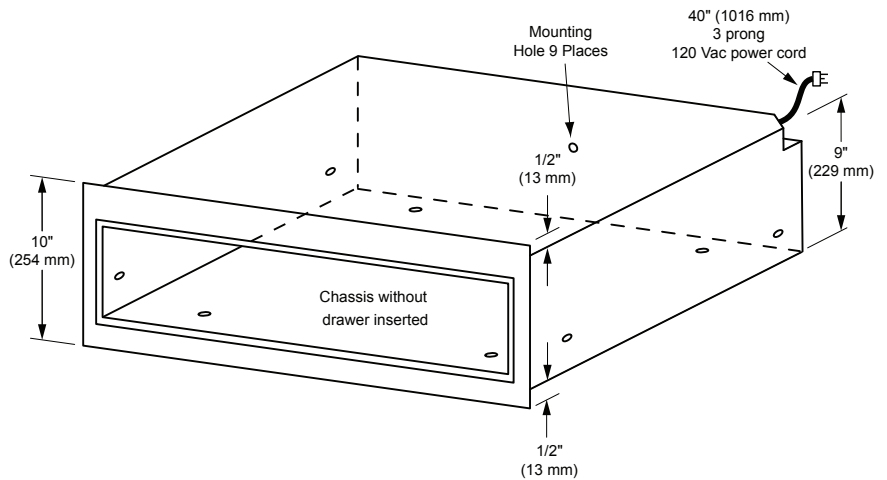
HANDLE DIMENSIONS



**DRAWER FACE DIMENSIONS
(MW SERIES SHOWN)**



**OVERALL DIMENSIONS
TOP VIEW
(EWD SERIES SHOWN)**



CHASSIS DIMENSIONS

Model	"A" Drawer Face Width	"B" Chassis Face Width	"C" Chassis Width
EWD24	24" (610mm)	23 5/8" (600mm)	22 1/4" (565mm)
EWD27	27" (686mm)	26 5/8" (676mm)	25 1/4" (641mm)
MRWD27			
MWDH27			
MWDV27			
PWD27			
EWD30	30" (762mm)	29 5/8" (752mm)	28 1/4" (718mm)
MRWD30			
MWDH30			
MWDV30			
PWD30	36" (914mm)	35 5/8" (905mm)	34 1/4" (870mm)
EWD36			

WARMING DRAWER OVERALL DIMENSIONS