

# ED24, ID24, MDH24, MDV24, PD24



Revised  
01/11/08

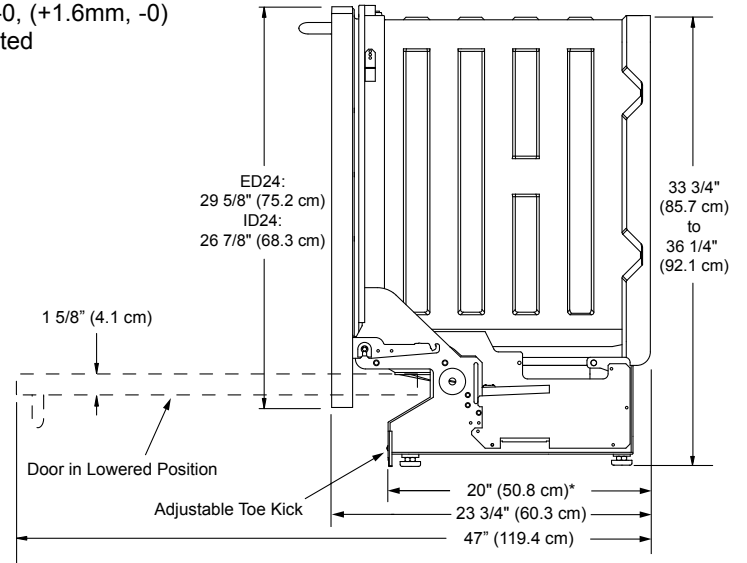
## 24" Wide Dishwashers

1/2

## PLANNING GUIDE



Tolerances: +1/16", -0, (+1.6mm, -0)  
unless otherwise stated

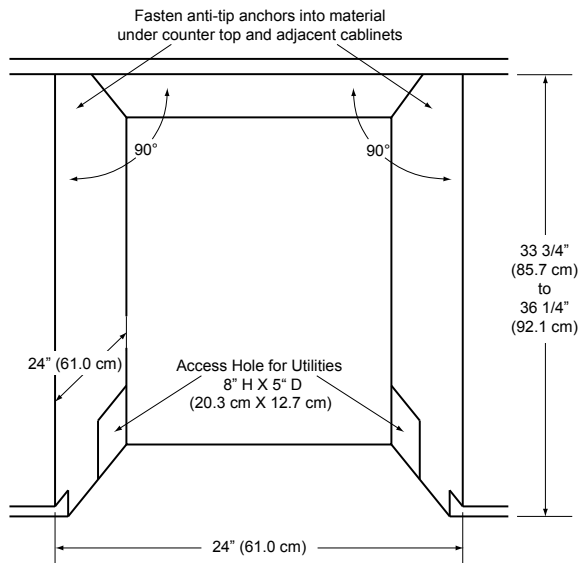


\* Allows for hose on back of unit

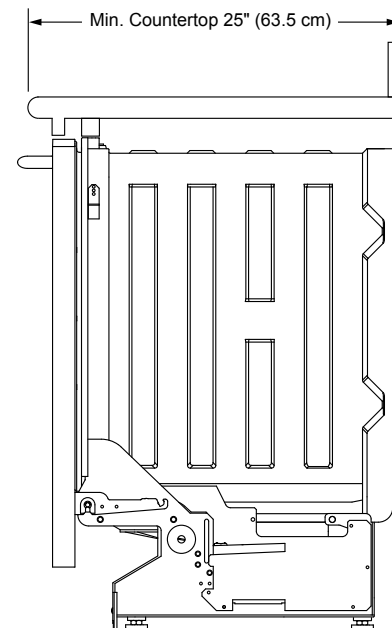
**DIMENSIONS**  
**FRONT VIEW WITH DOOR CLOSED**  
(ED Shown)

**OVERALL DIMENSIONS SIDE VIEW**  
(ED Shown)

Model No.	Dedicated Circuit Required	Water Pressure	Water Temperature
ED24, ID24, MDH24, MDV24, PD24	15 A, 120 Vac, 60 Hz dedicated, grounded circuit. See the model number label on product for total connected loaded.	20 to 120 psi (138 - 827 kPa)	120°F, minimum



**CUT-OUT FRONT VIEW**



**CABINET INSTALLATION SIDE VIEW**

# ED24, ID24, MDH24, MDV24, PD24

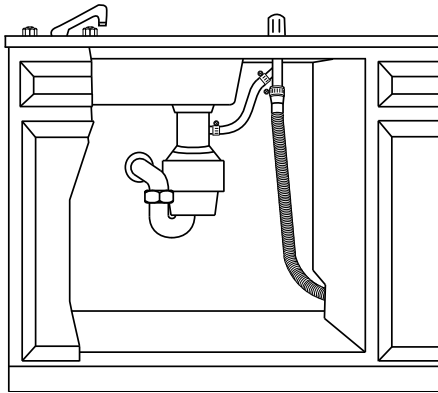


Revised  
11/08/07

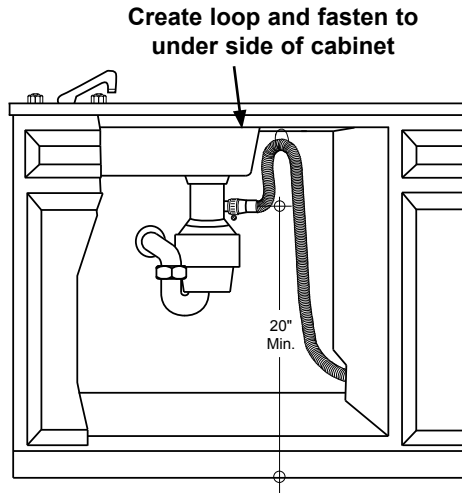
## 24" Wide Dishwashers

2/2

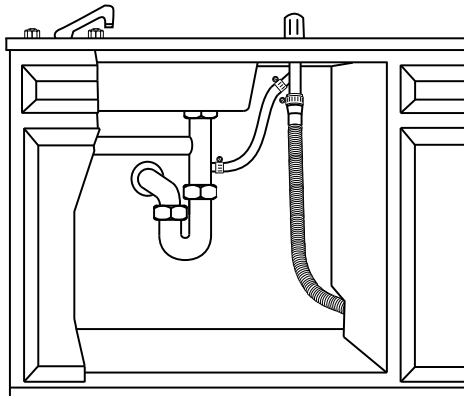
## PLANNING GUIDE



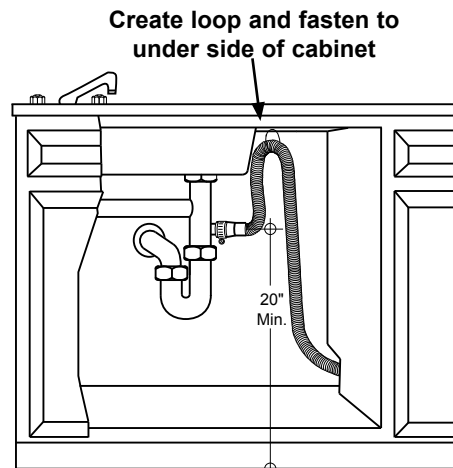
**INSTALLATION WITH AIR GAP AND DISPOSAL**



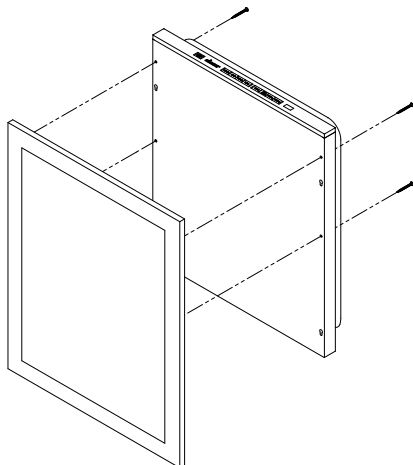
**DISPOSAL INSTALLATION WITHOUT AIR GAP**



**INSTALLATION WITH AIR GAP AND WASTE TEE**



**WASTE TEE INSTALLATION WITHOUT AIR GAP**



**CUSTOM PANEL INSTALLATION (ID24 ONLY)**

Model No.	Width	Maximum Height	Minimum Thickness	Maximum Thickness
ID24	23 7/8" (606mm)	30" (762mm)	5/8" (16mm)	3/4" (19mm)

**CUSTOM PANEL OVERALL DIMENSIONS (ID MODEL ONLY)**