



## Installation Instructions

---

### Epicure® 30-Inch Dishwasher

*For use with models: ED30, ID30*

All specifications are subject to change without notice. Dacor® assumes no liability for changes to specifications.

# Table of Contents

<b>Before You Begin</b> .....	1	Planning the Drain.....	5
<b>Important Safety Instructions</b> .....	1-2	<b>Installation Instructions</b> .....	<b>6-12</b>
<b>Product Specifications</b> .....	3	Verify the Package Contents.....	6
Dimensions .....	3	Installing the Unit in the Cabinet.....	7-8
Technical .....	3	Cabinet Panel Installation .....	9
<b>Preparing for Installation</b> .....	<b>4-5</b>	Water Line Connection.....	10
Planning the Location .....	4	Drain Line Installation .....	10
Power Supply .....	5	Final Electrical Installation .....	11
Install the Plumbing.....	5	Verifying Proper Operation.....	11-12

## Before You Begin...

### IMPORTANT:

**Installer:** In the interest of safety and to minimize problems, read these installation instructions completely and carefully before you begin the installation process. Leave these installation instructions with the customer.

**Customer:** Keep these installation instructions for future reference and the local electrical inspector's use.

If you have questions or problems with installation, contact your Dacor dealer or the Dacor Customer Service Team.

### Dacor Customer Service

Phone: (800) 793-0093  
E-mail: customerservice@Dacor.com  
Web site: www.Dacor.com

## Important Safety Instructions

### Important Information About Safety Instructions

The **Important Safety Instructions** and warnings in these instructions are not meant to cover all possible problems and conditions that can occur. Use common sense and caution when installing, maintaining or operating this or any other appliance.

Always contact the Dacor Customer Service Team about problems and conditions that you do not understand.

### Safety Symbols and Labels

#### **DANGER**

Indicates immediate hazards that **WILL** result in severe personal injury or death.

#### **WARNING**

Indicates hazards or unsafe practices that **COULD** result in severe personal injury or death.

#### **CAUTION**

Indicates hazards or unsafe practices that **COULD** result in minor personal injury or property damage.

#### **DANGER**

To avoid the possibility of explosion or fire, do not store or use combustible, flammable or explosive vapors and liquids (such as gasoline) inside or in the vicinity of this or any other appliance. Do not store flammable or explosive materials in adjacent cabinets or areas.

#### **WARNING**

The customer should not install, repair or replace any part of the dishwasher unless specifically recommended in the literature accompanying it. A qualified service technician should perform all other service. Contact the nearest Dacor authorized service representative at (800) 793-0093, or at www.Dacor.com for examination, repair or adjustment.

# Important Safety Instructions

To reduce the risk of fire, electric shock, serious injury or death when using the dishwasher, follow basic safety precautions, including the following:

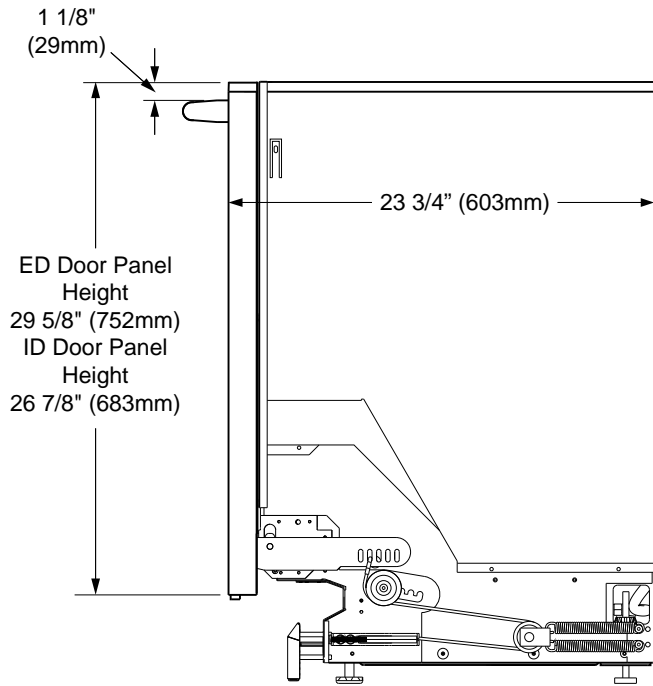
## WARNING

1. Do not install or operate this dishwasher if it has been damaged, dropped, has damaged electrical conduit or wires or is not working properly. If the product is damaged when received, immediately contact the dealer or builder.
2. Use this dishwasher only for its intended purpose as outlined in the use and care manual. It is not intended for commercial use. Certified residential dishwashers are not intended for licensed food establishments.
3. Read the use and care manual completely before use.
4. Keep all packaging materials away from children. Plastic bags can cause suffocation.
5. To avoid electric shock, this dishwasher must be installed and grounded by a qualified installer in a completely enclosed cabinet according to these installation instructions.
6. All installation work, plumbing connections and electrical wiring must be performed in accordance with all applicable codes and standards.
7. Install or locate this appliance only in accordance with these installation instructions.
8. The installer must show the customer the location of the fuse or junction box so that the customer knows where and how to turn the power off.
9. Before installing or servicing the dishwasher, switch power off at the fuse or junction box and lock the electrical panel door to prevent power from being switched on accidentally. When the electrical panel cannot be locked, securely fasten a prominent warning device, such as a tag, to the service panel.
10. Do not tamper with the controls.
11. Do not leave children alone or unattended in the area where the dishwasher is in use. Never allow children to sit or stand on an appliance. Do not let children play with this appliance.
12. Never allow anyone, including children, to sit or stand on any part of the dishwasher. Stepping or sitting on any part of it may result in tipping, damage and serious injury.
13. Many surfaces within the dishwasher achieve high temperatures. Do not touch interior surfaces or items inside the dishwasher during or immediately after use. Exercise caution when opening the door. Let hot air and steam escape before looking or reaching inside.
14. Do not operate the dishwasher without the door completely closed and the toe kick panel in place.
15. Store all detergents and rinse aids out of the reach of children.
16. During loading, insert all sharp or pointed objects with the handles up. Locate these items where they will not damage the door seal or cause personal injury.
17. Do not tamper with the controls.
18. Under certain conditions hydrogen gas may be produced in a hot water system that has not been used for two weeks or more. Hydrogen gas is explosive. If the hot water system has not been used for a period of time, turn on all hot water faucets and let the water flow for several minutes to release any accumulated hydrogen gas. Do not smoke or use an open flame during this process.
19. To prevent child entrapment, always remove the door from an old dishwasher when removing it from service.
20. To prevent household mold and mildew damage, periodically check the inlet and drain hoses for leaks.
21. If the dishwasher outlet is connected to a garbage disposal, make sure the disposal is completely empty before running the dishwasher.
22. To avoid damage to the racks, do not let sharp edges come into contact with them.
23. This appliance is designed for installation by more than one person. To avoid personal injury, do not attempt to move or lift the dishwasher without assistance.
24. To prevent personal injury and damage to the unit due to it tipping over, attach the anti-tip brackets to the cabinet before operation. Do not push down on the door when it is open.

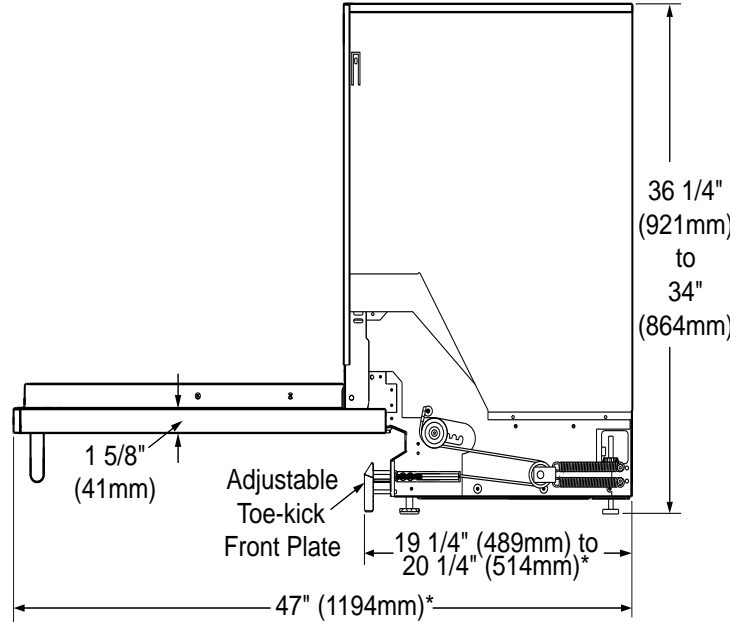
# Product Specifications

## Dimensions

Tolerances: +1/16", -0, (+1.6 mm, -0) unless otherwise stated

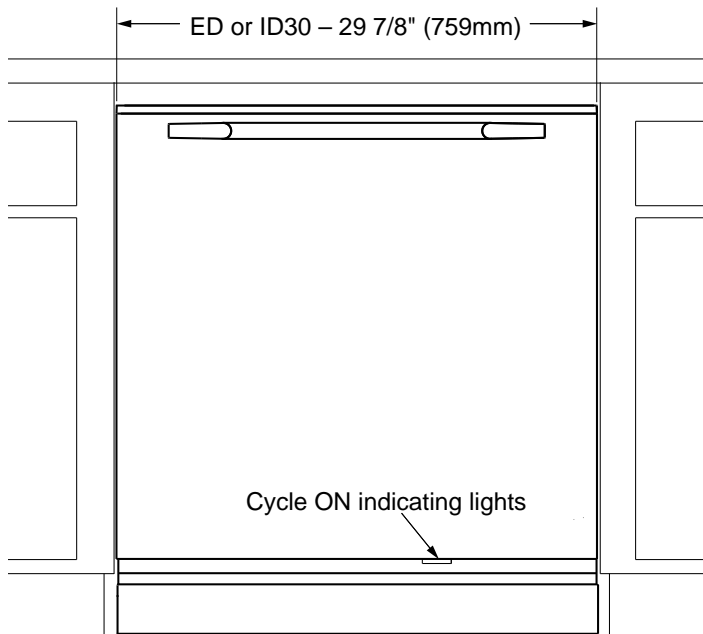


Side View - Door Open



\* Allows for drain hose on back of unit

Side View - Door Open



Front View

## Technical

Water Pressure	20 to 120 psi (138 - 827 kPa)
Water Temperature	120°F, minimum
Power Requirements	15 A, 120 Vac, 60 Hz dedicated, grounded, three prong power outlet. See model number label on product for total connected loaded.

# Preparing for Installation

## WARNING

Observe all governing codes and ordinances during planning and installation. Contact your local building department for further information.

## Planning the Location

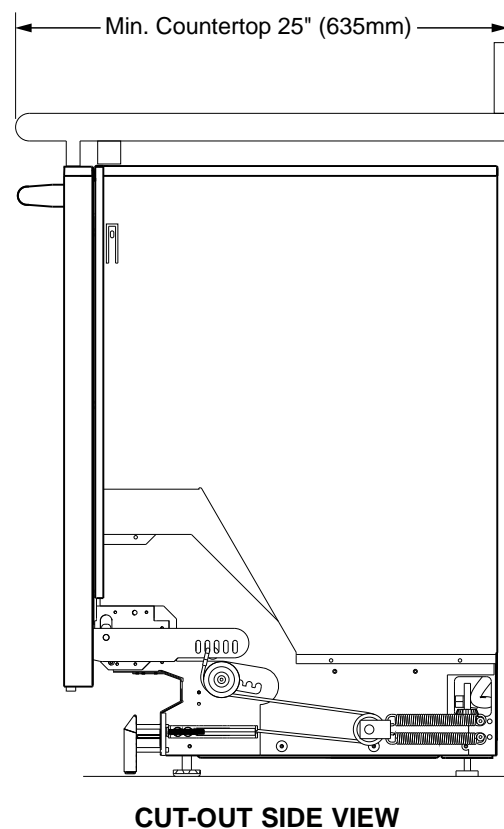
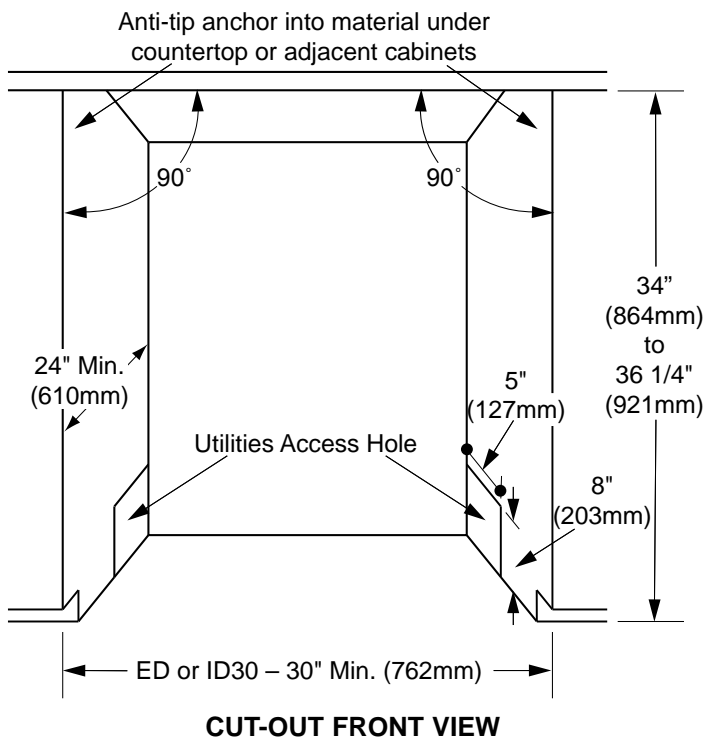
Carefully check the location where the dishwasher is to be installed. Place it in a location with convenient access. Make certain that electrical power can be provided in the selected location.

**IMPORTANT:** Follow all cabinet and countertop minimum dimensions shown below to insure safe operation.

Plan the installation as shown so that all minimum product dimensions are met or exceeded (see page 3). Dimensions shown provide minimum clearances, unless otherwise noted.

The floor must be level and all cut-out surfaces at right angles. The dishwasher must be secured to the adjacent cabinets using the anti-tip brackets for safety and proper operation.

Plan the installation so that the appliance can be removed if service is required.



Tolerances: +1/16", -0, (+1.6 mm, -0) unless otherwise stated

# Preparing for Installation

## Power Supply

### **WARNING**

The electrical power supply for the dishwasher should be installed only by a licensed electrician.

### Electrical Specifications

It is the owner's responsibility to ensure that the electrical connection of this appliance is performed by a qualified electrician. The electrical installation, including minimum supply wire size and grounding, must be in accordance with the National Electric code ANSI/NFPA\* (or latest revision) and local codes and ordinances.

\*A copy of this standard may be obtained from:

National Fire Protection Association  
1 Batterymarch Park  
Quincy, Massachusetts 02269-9101

### The power connection must be:

- A grounded, dedicated 120 Vac, 60 Hz circuit protected by a 15 amp circuit breaker or time delay fuse. The circuit must be installed by a licensed electrician. Local codes may permit a UL listed/CSA-certified, grounded power supply cord (not provided) for connection to a grounded three prong receptacle, or an armored non-metallic sheathed, copper wire with ground to connect to a junction box.
- Located to the right or left of the cut-out, in an adjacent cabinet, so that the power cable can be disconnected without removing the dishwasher.

### Installing the Electrical Connection

The dishwasher can either be connected to a grounded three prong receptacle or connected directly to a three wire connection in a junction box. If the unit is to be connected to a three prong receptacle, a UL/CSA approved power cord, of the appropriate power rating (not provided), must be connected to the dishwasher electrical wiring. Consult all governing codes to determine the appropriate type of wiring.

- Have a licensed electrician prepare the electrical receptacle or junction box for final connection inside the adjacent cabinet according to the specifications above.
- The electrical power source must be a metal ground wiring system, which is not connected to a gas pipe. Do not install a fuse in the neutral or ground circuit.

## Install the Plumbing

- Install a water supply valve for the hot water supply line where it is easily accessible after the dishwasher is installed.
- The water pressure must be between 20 and 120 psi (138-827 kPa). The household hot water heater should supply a minimum of 120°F water to the dishwasher location for best results.
- Use the supplied flexible braided water line to connect between the dishwasher hot water inlet and the hot water supply valve. Make sure it is long enough to reach when the unit is removed from the cabinet for repair.

## Planning the Drain

**IMPORTANT:** A drain line hose is supplied with the product. Should a longer drain hose be required, use a hose approved for detergents and high temperature water. The drain hose supplied with the dishwasher meets an AHAM DW-1 test standard. Longer drain hoses should not exceed 12 feet in length.

- You must install an air gap in the drain if the drain hose is connected to household plumbing lower than 20 inches (508 mm) from the floor or if required by local codes. Plan for the air gap in the sink or countertop area adjacent to the dishwasher. A section of drain hose (not provided) needs to be installed from the air gap to the disposal or waste tee.
- If an air gap is not required, the drain hose must be installed to an inlet or waste tee above the drain trap in the household plumbing.
- The drain hose supplied with the dishwasher should be connected to a minimum 1/2 inch I.D. drain connection.
- If the drain is connected to a disposal, see the disposal manufacturer's installation instructions for correct drain hose mounting techniques.

# Installation Instructions

## Verify the Package Contents

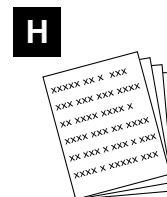
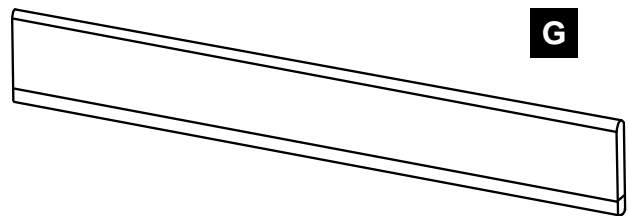
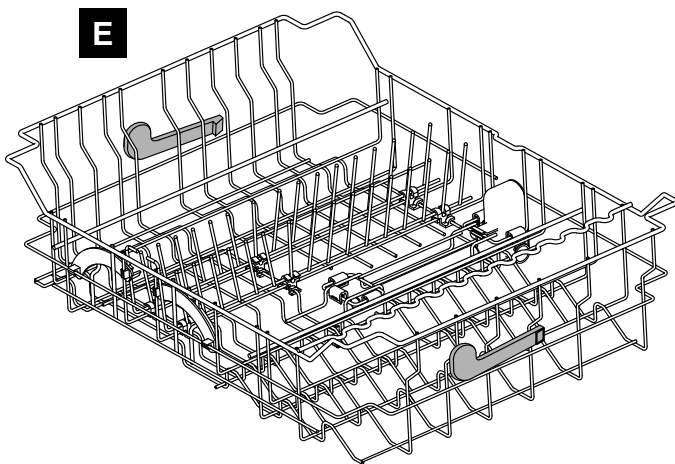
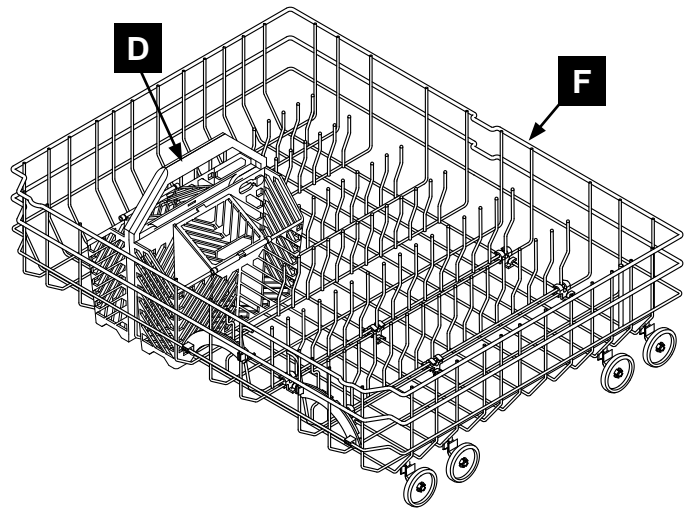
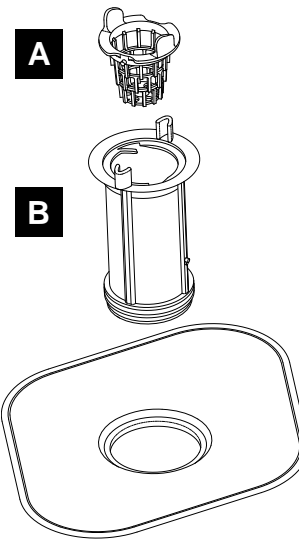
**NOTE:** Model ID30 ships without a front panel. It is designed for the installation of an integrated front panel that matches the surrounding cabinets.

- With the assistance of at least one person, remove the dishwasher from the shipping carton and place the unit to the side of the cabinet opening.
- Using caution, remove all of the packing materials from inside and outside of the unit. **DO NOT** allow any of the shipping materials, loose screws or plastic to remain inside the dishwasher. Remove the racks and set aside for later installation.
- Unpack the parts box and verify that all required components have been provided. If any item is missing or damaged, please contact the dealer immediately. Do not install a damaged or incomplete appliance.

- A** Large particle filter
- B** Small particle filter
- C** Medium particle filter
- D** Silverware basket
- E** Top rack
- F** Bottom rack
- G** Toe kick
- H** Use and care manual

A bottle of Dacor Stainless Steel Cleaner is also included with model ED30.

Make sure you have everything necessary for proper installation before proceeding.





# Installation Instructions

## ⚠ WARNING

- Do not connect the electrical, water inlet or drain until instructed to do so in the **Verifying Proper Operation** section.
- Do not install the dishwasher unless the electrical service provided meets the dishwasher specifications.
- Observe all governing codes and ordinances during planning and installation. Contact your local building department for further information.
- A qualified technician must complete the installation of this built-in appliance. The owner is responsible to make sure the dishwasher is properly installed.
- To avoid an electrical shock hazard, turn off the power at the main fuse or breaker location before proceeding with the installation.
- Do not allow any material or the electrical cord to be directly behind the dishwasher while pushing it into the cut-out opening. Carefully feed the drain hose, water supply line and electrical cord into the utility access holes in the cabinet sides without pinching them. Damage to the dishwasher, electrical wires, water supply lines, drain lines and resulting water damage, due to improper installation are not covered under warranty.
- Keep the factory installed high loop drain hose in place to ensure proper dishwasher operation. Do not cut, tie, strap or lower it. If it is necessary to lengthen it, install an aftermarket drain extension kit, available at most home improvement stores.

## Installing the Unit in the Cabinet

Care should be exercised when the appliance is installed or removed, to reduce the likelihood of damage to the power cord. If the power cord is damaged it must be replaced by a Dacor Authorized Service Agent, or similar qualified person, in order to avoid a hazard.

1. With the assistance of at least one person, set the unit in front of the cut-out opening.
2. Connect the flexible braided water line with 3/8" compression fitting to the hot water inlet on the dishwasher.
3. Feed the drain hose, electrical cord and water supply line through the utility access hole in the side of the cabinet.
4. Slide the dishwasher back into the opening while pushing the drain, water and electrical lines into the cabinet. Stop when the dishwasher contacts the back wall or aligns with the front cabinet opening.

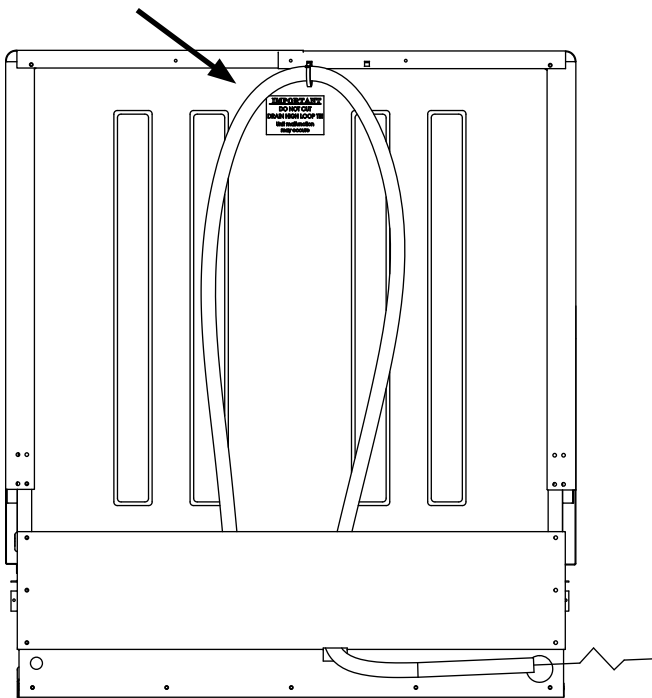
## Leveling the Dishwasher

### ⚠ CAUTION

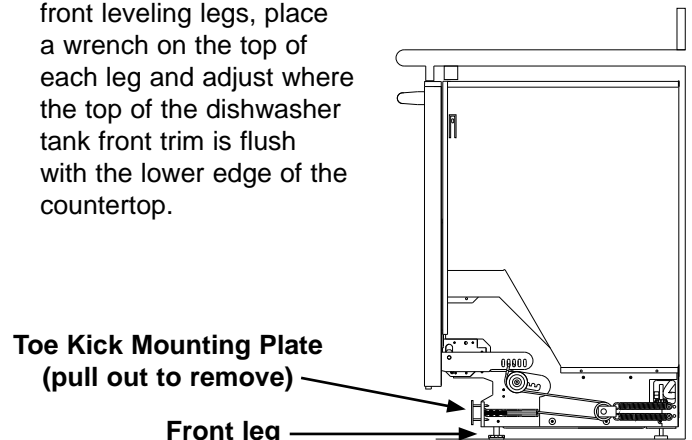
- Do not use a power driver to adjust the rear leveling legs, doing so may damage the dishwasher.
- Do not over torque the leveling legs. Doing so will distort the dishwasher chassis leading to door alignment problems and possible water damage.
- To prevent damaging the dishwasher, adjust the leveling legs only 1/2" (13 mm) at a time, per leg.

To align the dishwasher correctly inside the cabinet opening, the legs must be adjusted to level the appliance. After centering the appliance in the opening, level the appliance by adjusting all four leveling legs.

1. To verify front to back level, remove the lower rack from the dishwasher and place a level on the tank side wall rack guides.
2. To verify left to right level, place a level on the tank lower front frame.
3. Remove the toe kick mounting plate to expose the front legs. To adjust the front leveling legs, place a wrench on the top of each leg and adjust where the top of the dishwasher tank front trim is flush with the lower edge of the countertop.



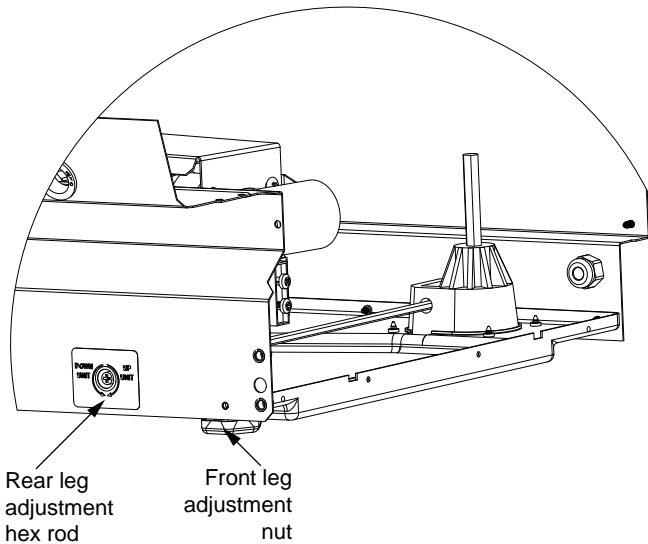
HIGH LOOP DRAIN HOSE



# Installation Instructions

## Leveling the Dishwasher (continued)

4. To adjust the rear leveling legs, rotate the #2 Phillips drive shafts, located at the toe-kick, to level the dishwasher from front to back and left to right.



It is important to level the dishwasher from left to right and front to back. Shimming may be required on extremely uneven flooring materials. If shims are needed, place the shim(s) under the adjustable legs.

### IMPORTANT:

- Do not reinstall the toe kick mounting plate until the installation is inspected for leaks (see page 11).
- Make sure to anchor at least one anti-tip bracket on each side of the dishwasher.
- The anchoring material must be no more than 1/4" (6mm) from the anti-tip bracket.

## Install the Anti-Tip Brackets

### ⚠ CAUTION

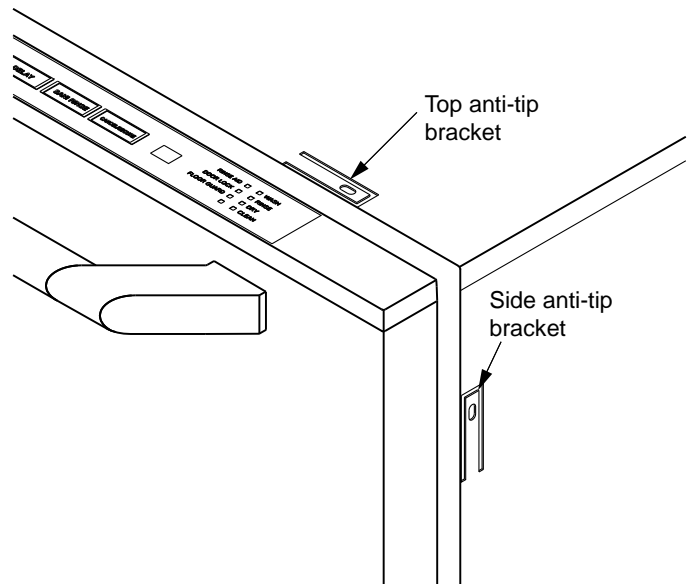
- Make sure to anchor at least one anti-tip bracket on each side of the dishwasher.
  - The anchoring material must be no more than 1/4" (6mm) from the anti-tip bracket.
- The anti-tip brackets protect against possible tipping caused by heavy bottom rack loads on the door.
  - There are anti-tip mounting locations provided around the top and sides of the dishwasher front frame.

### To attach the anti-tip bracket anchors:

- Insert the anchoring screws through the 1/2" diameter access holes inside the dishwashing compartment on the ceiling and the sides, near the front. Make sure that the anchoring screws pass through the anti-tip brackets located on the outside of the dishwasher.

### Alternate method:

- Insert the anchoring screw through the 1/2" diameter tank access hole. Make sure that the anchoring screw passes through the anti-tip bracket located on the outside of the dishwasher.



# Installation Instructions

## Cabinet Panel Installation

(Model ID30 Only)

### ⚠ CAUTION

- The provided mounting screws are designed for panels with a thickness of 5/8" to 3/4". Smaller panels may require different mounting hardware to prevent damage to the outside surface.
- To prevent corrosion and the possibility of the panel falling off, use only stainless steel screws where instructed.
- Failure to construct the custom panel and/or toe kick as instructed on the installation template may result an improper fit and may prevent the door from closing properly.

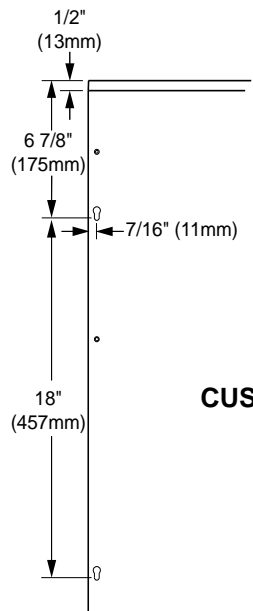
1. See the included **Custom Panel Installation Template** (Dacor PN 101394) for complete installation instructions and dimensions of the custom panel and if desired, a custom toe kick. If the custom cabinet panel requires decorative door hardware, mount the hardware on the panel before proceeding to the next step.
2. With the dishwasher door in the closed position, align the custom panel flush with the control panel bezel and center it on the door front frame. Utilize the keyholes to hold the panel.

**NOTE:** Do not install the toe kick until the dishwasher is completely installed and checked for leaks.

### NOMINAL CUSTOM PANEL DIMENSIONS FOR ID30

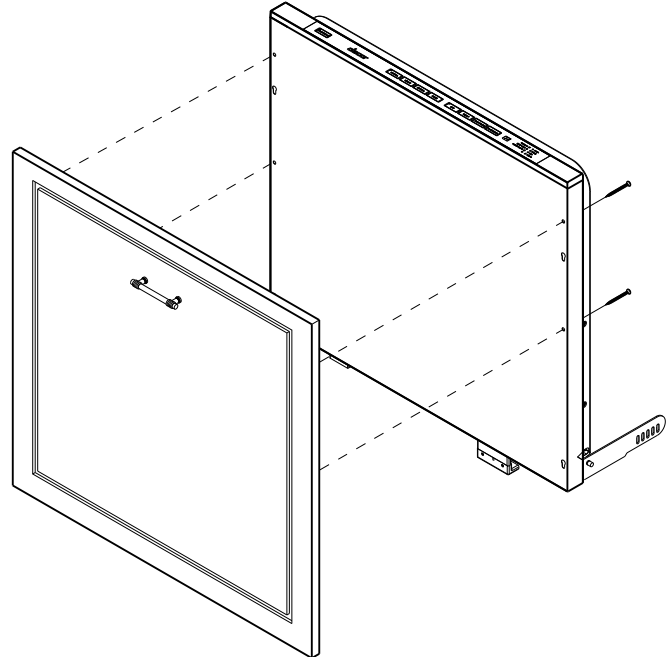
WIDTH	MAXIMUM HEIGHT*	MAXIMUM THICKNESS
29 7/8" (606 mm)	30" (762 mm)	3/4" (19 mm)

\* Dimension without installation of a custom toe kick. See included template for further details



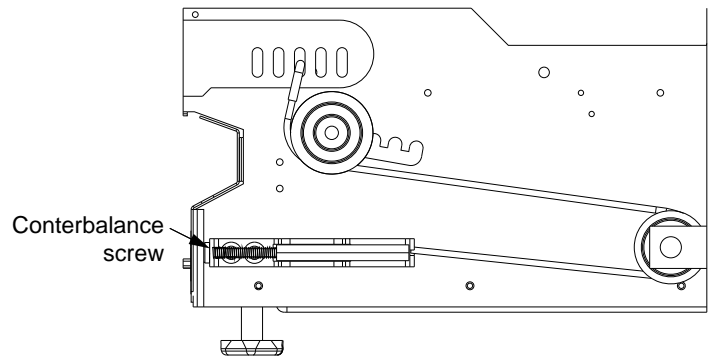
**CUSTOM PANEL HOLE ALIGNMENT**

3. Align the cabinet panel and, using padded clamps, clamp the cabinet panel to the dishwasher front. Slowly lower the door and panel to it's full open position. Attach it to the dishwasher door front utilizing the four (4) mounting holes. Four (4) #10 stainless steel flat-head screws are provided for installation of decorative panels with a thickness of 5/8" to 3/4". The four mounting holes are located on the inside of the door frame. Two holes are near the top of the door panel. Two other holes are approximately half way down the door panel.



### CUSTOM PANEL INSTALLATION (ID30 ONLY)

4. If the door springs to do not work properly due to the weight of the panel, adjust the door counterbalance. The counterbalance adjustment screws are located on the far right side and far left side of the chassis below the door.



# Installation Instructions

## Water Line Connection

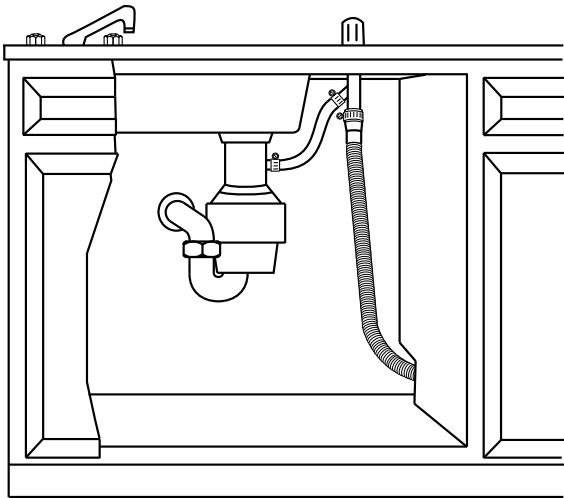
### **⚠ WARNING**

- Any solder connections must be made before the dishwasher water line is connected. Do not solder within six inches of the inlet valve.

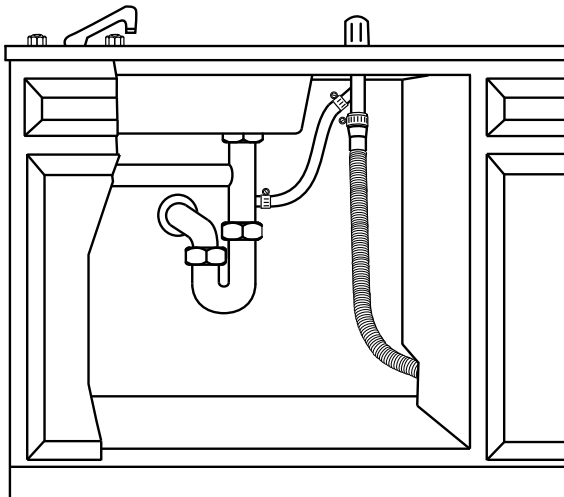
Connect the hot water line from the dishwasher to the hot water supply valve.

## Drain Line Installation

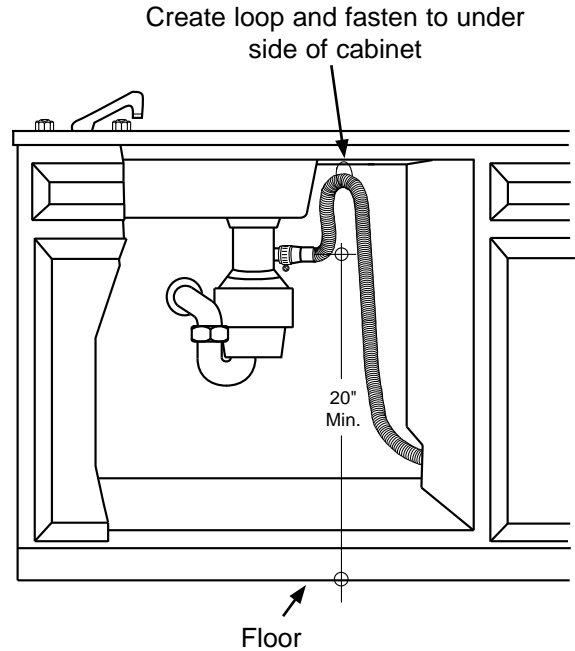
- Connect the flexible drain line to the air gap (see below) or connect it directly to the waste tee or disposal (see the following page).
- For installations without an air gap, put a loop in the drain line as shown on the following page.
- Tighten the holding clamp. For installations with an air gap check to make sure the drain line from the air gap to the disposal/drain trap is complete and that the clamps are tight.



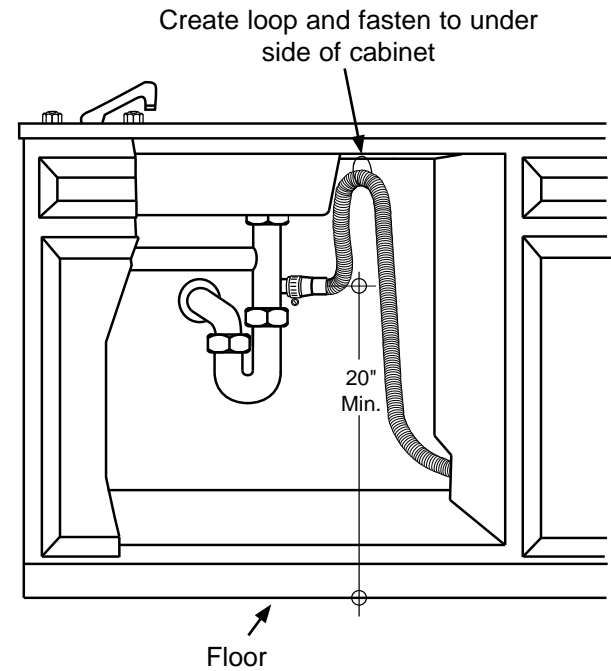
**INSTALLATION WITH AIR GAP AND DISPOSAL**



**INSTALLATION WITH AIR GAP AND WASTE TEE**



**DISPOSAL INSTALLATION WITHOUT AIR GAP**



**WASTE TEE INSTALLATION WITHOUT AIR GAP**

# Installation Instructions

## Final Electrical Installation

### WARNINGS

- To avoid electrical shock or fire hazard, make sure the power supply at the fuse or junction box is turned off before proceeding with the final electrical installation.
- Improper connection of the electrical wiring may create an electric shock or fire hazard and may result in damage to the dishwasher's electrical system.
- Do not ground the dishwasher to the neutral (white) power supply wire. Connect the dishwasher ground wire to a separate, properly grounded wire installed by a licensed electrician.

### **If connecting the dishwasher using a three prong electrical receptacle:**

1. Turn off the power at the main fuse or breaker location before proceeding.
2. Connect the white wire from the dishwasher to the white wire on the power supply cord.
3. Connect the black wire from the dishwasher to the black wire on the power supply cord.
4. Connect the green wire from the dishwasher to the green wire on the power supply cord.
5. Connect the power supply cord to the dishwasher power receptacle.

### **If connecting the dishwasher directly to a electrical junction box:**

1. Turn off the power at the main fuse or breaker location before proceeding.
2. Connect the white wire from the dishwasher to the neutral (white) power supply wire.
3. Connect the black wire from the dishwasher to the hot (black) power supply wire.
4. Connect the green wire from the dishwasher to the house ground (green) wire from the junction box.

## Verifying Proper Operation

### WARNING

- To ensure a safe and proper installation, the following checklist should be completed by the installer to ensure that no part of the installation has been overlooked and the unit is working properly.
- Proper installation is the responsibility of the homeowner. The importance of proper installation of your Dacor dishwasher cannot be overemphasized.

### Pre-verification Check List

- Confirm that the main power source is off.
- Remove all packing material from inside the dishwasher.
- Check the orientation of the bottom door seal. The seal "bulb" should be facing into the tank. If it is oriented towards the exterior of the door, open the dishwasher door fully and orientate the door seal so that it is facing in to the tank.
- Familiarize yourself with the dishwasher operations by reading the use & care manual.
- Remove any protective film, if present from the control panel, door panel, etc.
- Verify that all wiring is secure and is not being pinched or in contact with door springs or any other dishwasher components.
- Verify that the dishwasher is level by pulling the lower rack about half way out and making sure that the rack does not roll back into the dishwasher or further out. If it does, re-level the dishwasher.
- Add two quarts of water to the bottom of the dishwasher to lubricate the pump seal.
- Turn on the water supply and check for plumbing leaks. Tighten connections if necessary.
- Verify that the door springs do not come in contact with any dishwasher components.
- Verify the hot water temperature by turning on the hot water faucet at the sink. The water going to the dishwasher must be between 120°F and 150°F.

### Wet Test Check List

- Turn on the main power source.
- Turn on the main power at the dishwasher by pushing the ON/OFF switch on the control panel.
- Program dishwasher to run a short wash. See the use and care manual for specific operating instructions of other features.
- Close and latch the door.

# Installation Instructions

## Verifying Proper Operation (Continued)

- ❑ You should hear the dishwasher drain and then begin to fill with water. Wait approximately two minutes, then carefully open the door to verify water is filling the dishwasher tank. If there is water present, close the door and continue the process. Should the water not fill the tank or the pump is not running, then immediately push the **START/STOP** button to stop the dishwasher and verify that the water source is turned on and that the power cord is plugged in with the main power on.
- ❑ Check for leaks under the dishwasher. If any leaks are found, turn off the power supply, tighten all connections and restore the power.
- ❑ Check for leaks around the door. A leak around the door could be caused by the dishwasher door rubbing or hitting against adjacent cabinets. Reposition the dishwasher if necessary.
- ❑ The dishwasher will drain after the first fill. Check the drain line for leaks. If leaks are found, turn off the power supply, tighten all connections and restore the power.
- ❑ Open the dishwasher door and verify that most of the water has drained. If not, verify that the disposer plug has been removed and/or the air gap is not plugged.
- ❑ Run the dishwasher through another fill and drain cycle. Verify that there are no leaks.
- ❑ For additional start up or drain problems check all installation steps to verify they are correct and complete. If the dishwasher still does not operate correctly stop immediately and contact the local authorized Dacor service agent.
- ❑ If the fill, wash and drain cycles operate properly, reinstall the toe kick mounting plate.
- ❑ Adjust the toe kick to cover legs and snap it into place on the toe kick mounting plate.

If the dishwasher fails to operate properly:

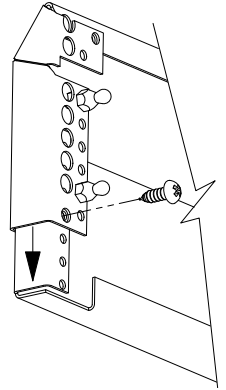
- Verify that power is supplied to the dishwasher.
- Check the electrical connections to ensure that the installation has been completed correctly.
- Repeat the above test.
- If the appliance still does not work, contact an authorized Dacor service company at (800) 793-0093.

Do not attempt to repair the appliance yourself. Dacor is not responsible for service required to correct a faulty installation.

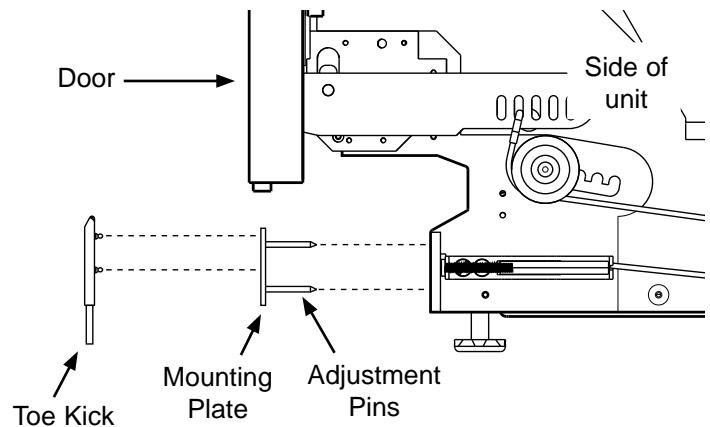
## Adjusting and Installing the Included Toe Kick

The the height and depth of the included toe kick are adjustable.

1. Adjust the toe kick height. The typical toe kick height is 4" high. For other than a typical installations, remove the rear assembly screws that hold the two toe kick sections together. Adjust the toe kick sections to match your desired toe kick height and reinstall the assembly screws.
2. Snap the toe kick into the toe kick mounting plate.
3. Install the entire toe kick assembly by inserting the depth adjustment pins into the chassis and pushing straight back on both sides until the front of the toe kick aligns with the adjacent cabinet toe kick.



## Installing a Custom Toe Kick (Model ID30)



See the **Custom Panel Installation Template** (Dacor PN 101394) for complete installation instructions of a custom toe kick panel. Use the included stainless steel toe kick as a mounting surface.

1. Apply high tack double stick tape to the front of the stainless steel toe kick.
2. Attach the custom toe kick to the stainless steel toe kick. If necessary, screw holes are provided through the front of the toe kick for material purposes.
3. Snap the toe kick assembly into the toe kick mounting plate.
4. Install the entire toe kick assembly by inserting the depth adjustment pins into the chassis and pushing straight back on both sides until the front of the toe kick aligns with the adjacent cabinet toe kick.



