

ED30, ID30

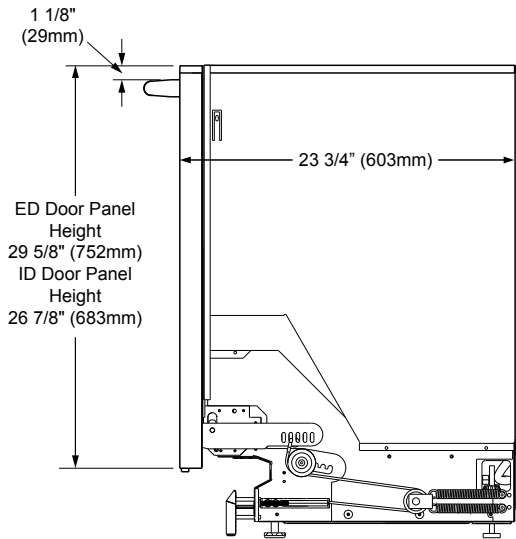


Revised
01/08/08

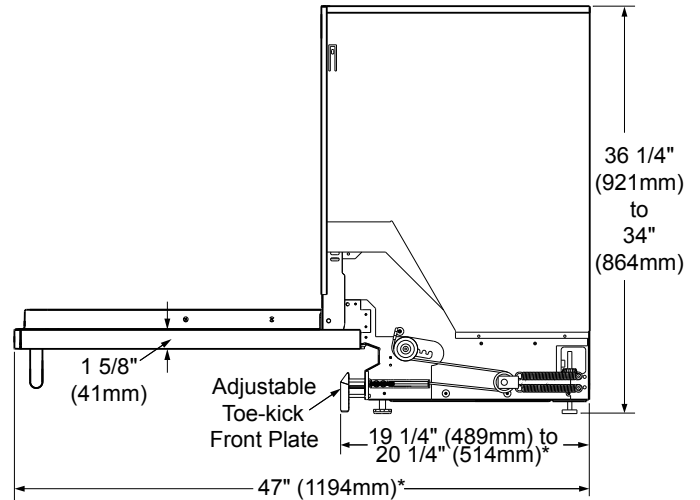
30" Wide Dishwashers

1/2

PLANNING GUIDE

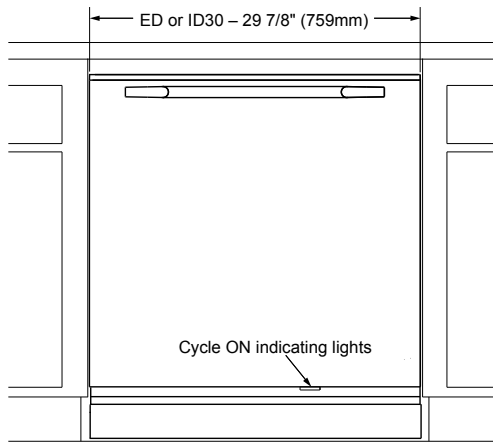


SIDE VIEW - DOOR OPEN

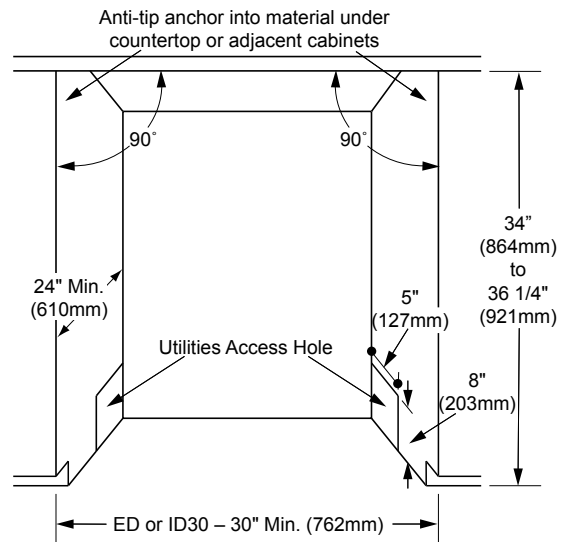


* Allows for drain hose on back of unit

SIDE VIEW - DOOR OPEN



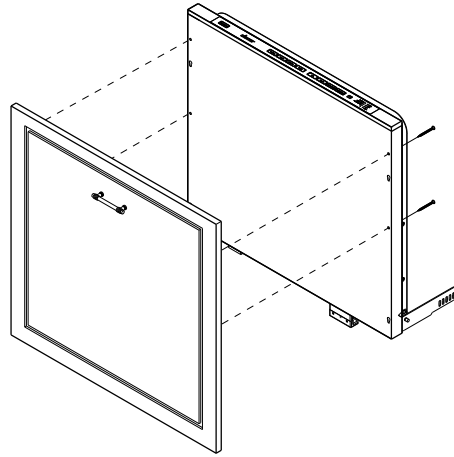
FRONT VIEW



CUT-OUT FRONT VIEW

Model No.	Power Requirements	Water Pressure	Water Temperature	Approximate Shipping Weight
ED30	15 A, 120 Vac, 60 Hz dedicated, grounded, three prong power outlet. See model number label on product for total connected loaded.	20 to 120 psi (138 - 827 kPa)	120°F, minimum	215 lbs.
ID30				218 lbs.

ED30, ID30

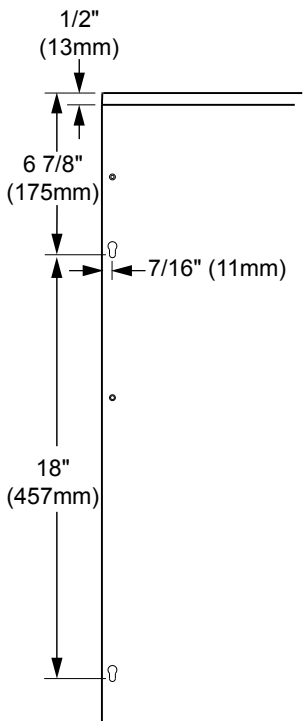


CUSTOM PANEL INSTALLATION (ID30 ONLY)

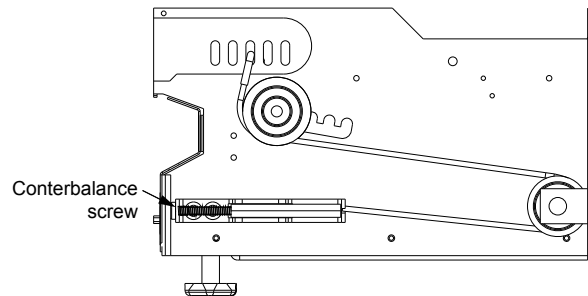
Model No.	Width	Maximum Height	Maximum Thickness
ID30	29 7/8" (760mm)	30" (762mm)*	3/4" (19mm)

CUSTOM PANEL OVERALL DIMENSIONS (ID MODEL ONLY)

*Without installation of a custom toe kick, see template included with product for further details.



CUSTOM PANEL HOLE ALIGNMENT



ADJUSTING THE DISHWASHER DOOR