



Origins Series

Installation Guide



C01175 — Ice Maker/Refrigerator

www.U-LineService.com

Phone (414) 354-0300 • FAX (414) 354-7905
Service & Parts Tech Lines Phone (800) 779-2547 • FAX (414) 354-5696
OnlineService@U-Line.com

©2006 U-Line Corporation
11/2006

Contents

Exterior Cleaning 4
 Cut-Out Dimensions 4
 Product Dimensions 5
 Door Swing/Clearances Information 5
 Reversing the Door..... 6
 Other Site Requirements 6
 Side-By-Side Installation Instructions 7
 Custom 1/4" Thick Door Panel Insert 8
 Checking Door Alignment 9
 Adjusting Door Alignment 9
 Water Supply Connection 9
 Electrical Specifications 10
 Leveling Information 11
 Installation Tip 11
 Installation of the CO75A 11
 Grille Installation 11
 Glass Shelf Installation 12
 Installation Troubleshooting 12
 Initial Start-Up 12
 Start-Up Troubleshooting 13
 Service Information 13

1 Follow Safety Precautions

IMPORTANT

PLEASE READ all instructions completely before attempting to install or operate the unit.

- This unit requires connection to the water supply. Improper hook-up can result in substantial property damage! If you are unsure of your ability to safely connect the water supply to the unit, consult a licensed plumber for assistance.
- This unit requires connection to a grounded (three-prong), polarized receptacle that has been placed by a qualified electrician in accordance with applicable electrical codes.

Safety Alert Definitions

Safety items throughout this guide are labeled with a Danger, Warning or Caution based on the risk type:

⚠ DANGER

Danger means that failure to follow this safety statement will result in severe personal injury or death.

⚠ WARNING

Warning means that failure to follow this safety statement could result in serious personal injury, or death.

⚠ CAUTION

Caution means that failure to follow this safety statement may result in minor or moderate personal injury, property or equipment damage.

General Precautions

Use this appliance for its intended purpose only and follow these general precautions along with those listed throughout this guide:

 **WARNING**

SHOCK HAZARD — Electrical Grounding Required.

- **Keep the unit unplugged throughout installation except during testing.**
- **Never remove the round grounding prong from the plug and never use a two-prong grounding adapter.**
- **Never use an extension cord to connect power to the unit.**
- **Always keep your working area dry.**

 **CAUTION**

- Use care when moving and handling the unit. Use gloves to prevent personal injury from sharp edges.
- Do not lift the unit by the door or door handle.
- Do not install the unit behind closed doors or in any way that would obstruct airflow to the front grille, which may cause the unit to malfunction.

2 Inspect and Plan

You have received a carton containing your CO1175 Ice Maker/Refrigerator with a package inside containing a User Manual, a Product Registration Card and water connection parts. Complete and mail the Product Registration Card or register online at www.U-LineService.com. Once your unit is installed, keep the User Manual and this Installation Guide in a safe place for future reference.

CO1175 units are available in Black or Stainless. Black units have a vinyl-clad cabinet with matching door. Stainless models have a stainless steel door, and a black cabinet. All Black CO1175 unit doors have a slightly contoured handle across the top and are reversible. These doors have recessed front panels that will accept a custom 1/4 inch thick door panel. Stainless unit doors are covered with a protective coating and have been ordered left-or right-hand hinged. The Stainless doors are not reversible and do not accept custom panels. All CO1175 units have tempered glass shelves.

Please carefully follow the directions that apply to your unit and your intended design.

Tools/Materials Required

- Screwdrivers — slotted and Phillips head
- 1/4-inch OD copper tubing and shutoff valve for water supply line
- 1/4-inch thick door panel material and cutting tools

Inspection

Unwrap and inspect the unit on a flat, level surface capable of supporting its entire weight.

Exterior Cleaning

(As Required)

Black Models:

- Black surfaces may be cleaned with a mild detergent and warm water solution. Do not use solvent-based or abrasive cleaners. Use a soft sponge and rinse with clean water. Wipe with a soft, clean towel to prevent water spotting.

Stainless Models:

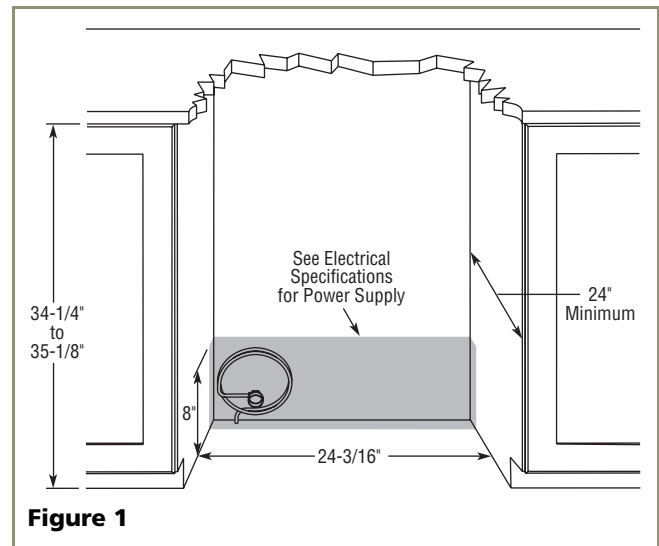
- Stainless door panels and handles can discolor when exposed to chlorine gas, pool chemicals, salt water or cleaners with bleach.
- Keep your Stainless unit looking new by cleaning with a good quality all-in-one stainless steel cleaner/polish on a monthly basis. For best results use Claire Stainless Steel Polish and Cleaner, which can be purchased from U-Line Corporation. (The part number is 173348.) Comparable products are acceptable. Frequent cleaning will remove surface contamination that could lead to rust. Some installations may require cleaning on a weekly basis.
- **Do not clean with steel wool pads.**
- **Do not use cleaners that are not specifically intended for stainless steel on stainless surfaces (this includes glass, tile and counter cleaners).**
- If any surface discolors or rusting appears, clean it quickly with Bon-Ami or Barkeepers Friend Cleanser and a non-abrasive cloth. Always clean in the direction of the grain. Always finish this process with Claire Stainless Steel Polish and Cleaner or comparable product to prevent further problems.
- **Use of abrasive pads such as Scotchbrite will cause the graining in the stainless to become blurred.**
- Rust that is allowed to linger can penetrate into the surface of the stainless steel and complete removal of the rust may not be possible.

3 Prepare Site

Your U-Line product has been designed for either free-standing or built-in installation. When built-in, your unit does not require additional air space for top, sides or rear. However, the front grille must NOT be obstructed and clearance is required for water and electrical connections in the rear.

Note: Unit can NOT be installed behind a closed cabinet door.

Cut-Out Dimensions



Follow the cut-out drawing in **Figure 1**. The 24-3/16" width allows 1/4" for ease in installation and removal of the unit. 24" is the counter depth in most installations. The unit is 24" deep including the door and *not* the handle on Stainless models and 24" deep including the handle on Black models (see **Figure 2**).

Product Dimensions

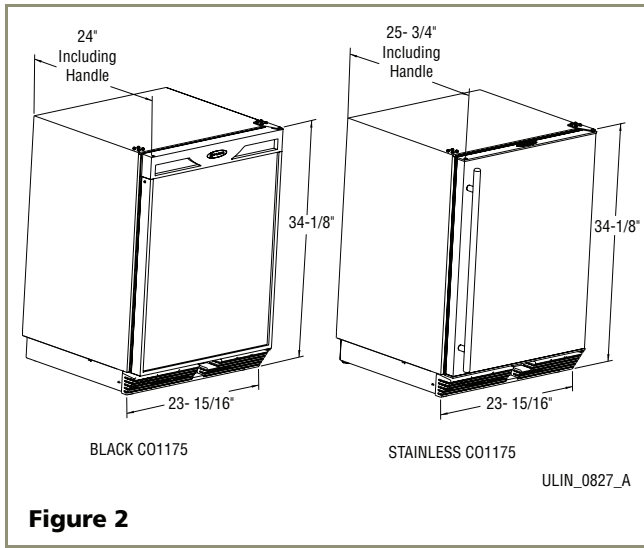


Figure 2

Please note that the unit has adjustable feet that can add one additional inch to height during leveling or to match adjacent cabinets (see **Figure 21** on **Page 11**).

Door Swing/Clearances Information

Black units have a zero clearance for the door to open 90° (see **Figure 3**). U-Line recommends a minimum door clearance of 1/4" for black units. Stainless Steel units require a minimum of 2" door clearance to accommodate the handle if the unit is installed next to a wall or similar type of structure.

All left-hand hinged units require a minimum of 1/4" door clearance if installed flush with cabinet or wall and 8" clearance for Black & Stainless Steel units if installed adjacent to cabinet or wall for easy removal of ice bin. See **Figure 3**.

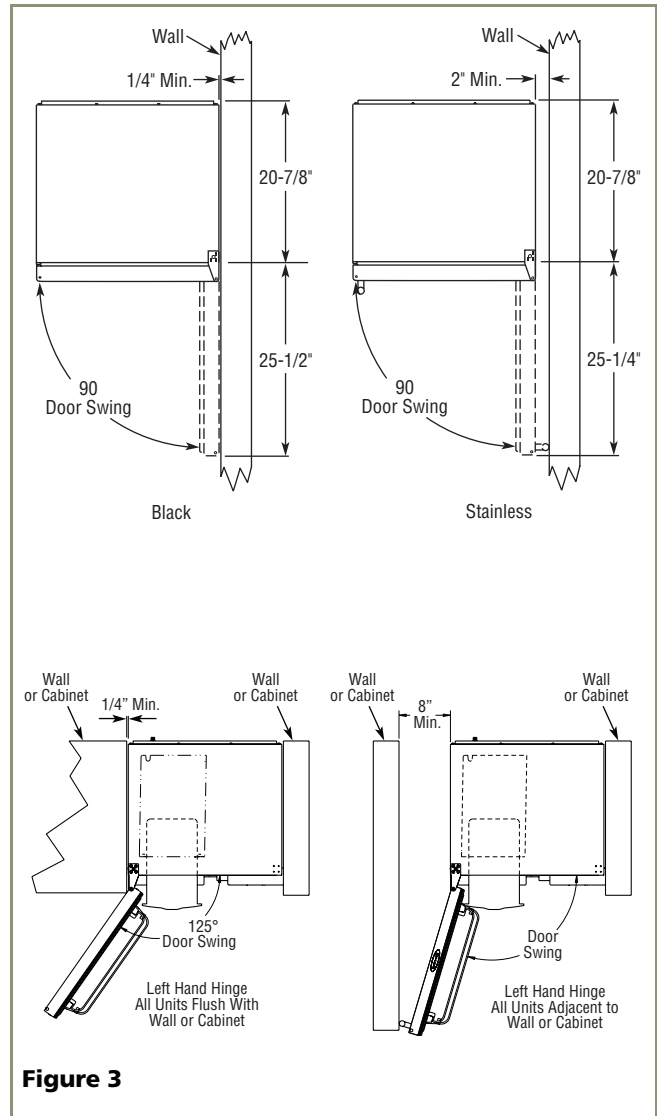


Figure 3

Reversing the Door

(CO1175 Black Units Only)

All units may be left- or right-hand opening (All Stainless Steel units cannot be field-reversed).

Black Units

Note: The grille should not yet be installed. If it has been installed, remove it for door reversing. See **Page 11**.

To reverse the door on Black models:

1. Remove top hinge from cabinet (four screws). See **Figure 4**. Hold door to keep it from falling.
2. Lift the door off the bottom hinge.

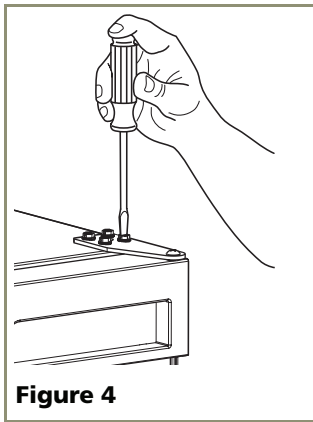


Figure 4

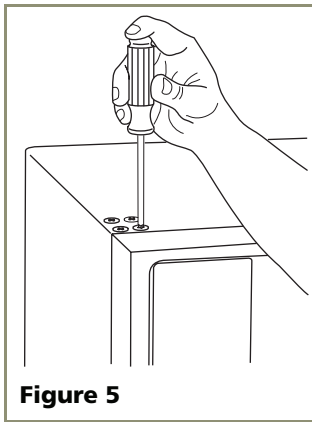


Figure 5

3. Remove four plastic plugs in hinge holes, top of cabinet, opposite side. See **Figure 5**. Be careful not to scratch cabinet.
4. Remove pivot screw from top hinge, invert screw and reinstall pivot screw in top hinge. See **Figure 6**. Do not install hinge on cabinet at this time.

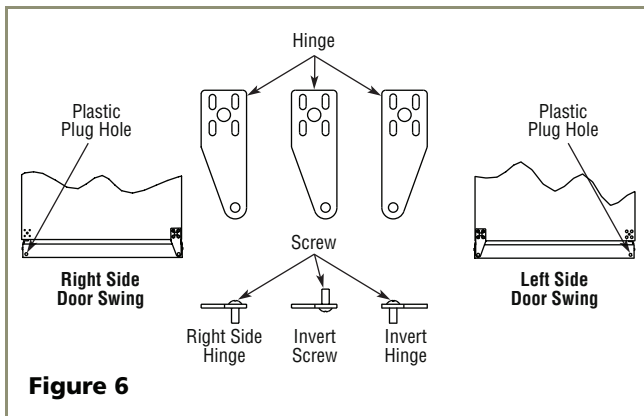


Figure 6

5. Remove bottom hinge from cabinet (four screws) and screws on opposite side of cabinet. See **Figure 7**.

6. Remove pivot screw from bottom hinge, invert screw and reinstall pivot screw in hinge. See **Figure 6**.
7. Install bottom hinge on cabinet, opposite side, aligning flat edge of hinge with outer edge of unit. Partially tighten screws. See **Figure 8**.

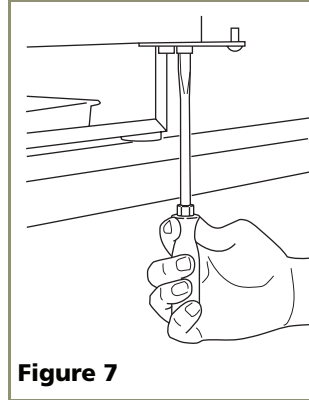


Figure 7

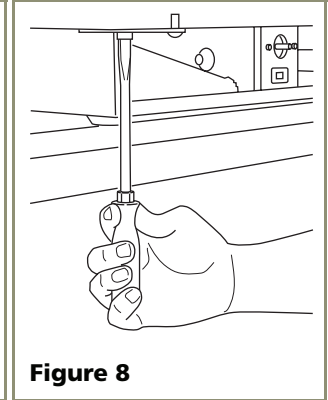


Figure 8

8. Relocate plastic spacer/bushing on bottom of door to the opposite side. See **Figure 9**. Clean out bushing hole in door bottom if necessary.

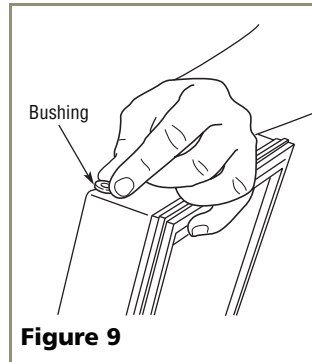


Figure 9

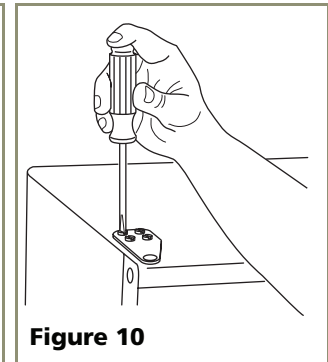


Figure 10

9. Place door on lower hinge pin. Align flat edge of top hinge with outer edge of unit and fasten upper hinge to unit (four screws). Partially tighten screws. See **Figure 10**.
10. Adjust door to assure proper seal. Tighten upper and lower hinge screws securely.
11. Replace four plastic plugs removed in Step 4 into holes on top of unit. Replace screws in holes in bottom of unit on opposite side.

Other Site Requirements

Power Supply

The unit requires a grounded and polarized 115 VAC, 60 Hz, 15A circuit (normal household current). See Electrical Specifications on **Page 10**.

Water Supply

The unit requires a 1/4-inch OD water supply line and a shutoff valve. For more information see **Page 9**.

Environmental Requirements

The surrounding air temperature must be at least 50°F (10°C) but must not exceed 110°F (40°C). Units may be installed outdoors in a covered area. The unit must not be located near heat-generating equipment or in direct sunlight.

Side-By-Side Installation Instructions

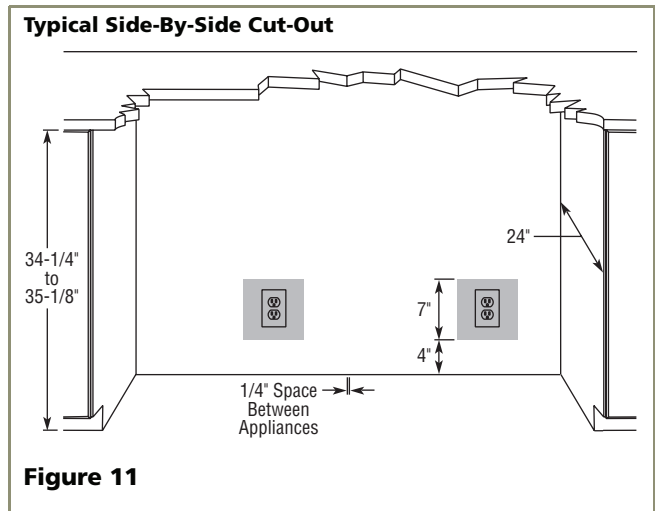
For a complete refreshment center, install two of the following 1175 series units side by side: CO1175, 1175R Refrigerator or 1175WC Wine Captain®. Note that each Side-By-Side Installation will be different.

- Cut-out width for a side-by-side installation is the total of the widths listed under *Cut-Out Dimensions* in each unit's Installation Guide.

For example:

Placing a CO1175 next to another 1175 series unit would require a cut-out width of:
 $24\text{-}3/16" + 24\text{-}3/16" = 48\text{-}3/8"$

- No trim kit is required. However, 1/4-inch space needs to be maintained between the units to ensure unobstructed door swing.
- Units must operate from separate, properly grounded electrical receptacles placed according to each unit's *Electrical Specifications*.



4 Prepare and Install Door Panel

Units will accept a Custom 1/4" Thick Insert to harmonize with or accent the surrounding decor.

If this treatment is not included in this installation, go on to **5 Adjust Door**.

Custom 1/4" Thick Door Panel Insert

Door Panel Preparation

A custom door panel can be inserted into the doorframe. Custom door panels can be flat or raised, as long as the maximum panel thickness where inserted into the door reveal (channel) is 1/4"-thick. For raised panels, the depth of the reveal is 1/4" on all four sides.

IMPORTANT

Raised panels will reduce the door's 90° swing/zero clearance if the unit is installed next to a wall or similar type of structure (see **Page 5**).

Cut the panel insert to the following dimensions.

Custom 1/4" Dimensions *for Black units*:

Width: 22-15/16"

Height: 26-15/16"

The door panel must not weigh more than 20 lbs.

Door Panel Installation

Install the insert as follows:

CAUTION

Use care when handling the insert. Insert edges may be sharp.

1. Remove top hinge screw pin with a Phillips head screwdriver. Remove door by tilting forward and lifting off bottom hinge pin.

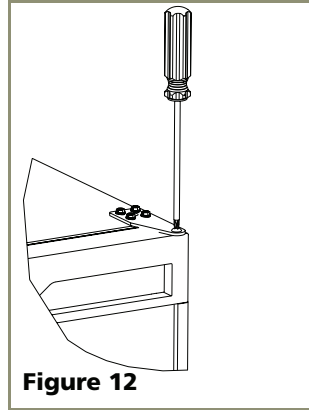


Figure 12

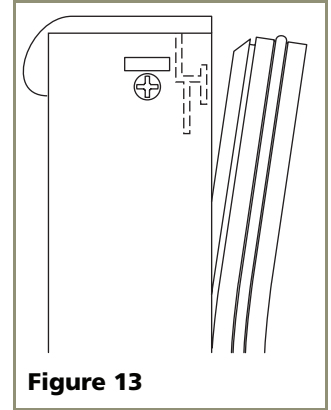
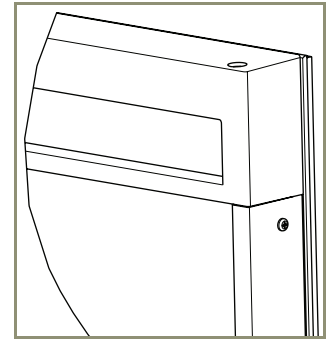


Figure 13

2. Pull door gasket out of groove (top edge of door only). Start in the middle and pull outward, moving toward the edge (see **Figure 13**). This may take some force.
3. Remove two outside screws holding door handle. Slightly separate door handle from door (see **Figure 14**).
4. Pull handle up and off.



IMPORTANT

Use care not to bend light switch bracket (where installed), located on door bottom when installing door insert. Do not set door on bottom edge when pushing insert into place.

5. Slide custom door panel insert into 1/4-inch channel in door front.
6. Holding door gasket out of the way, replace handle on door, making sure it is seated properly on insert and that screw holes line up.
7. Install two small screws removed in **Step 3**.
8. Starting at the corners and working inward, push door gasket into place on door.
9. Place door on bottom hinge pin and install upper hinge screw.
10. Go on to **5 Adjust Door**.

5 Adjust Door

Checking Door Alignment

The unit's door is aligned at the factory before shipment. However, its alignment could have been disturbed during shipment or during door panel installation.

IMPORTANT

Properly aligned, the door's gasket should be firmly in contact with the cabinet all the way around the door (no gaps).

1. Carefully examine the door's gasket to assure that it is firmly in contact with the cabinet.

Note: When inspecting door alignment, make sure the light switch bracket makes contact with the light switch plunger. Also make sure the door gasket is not pinched on the hinge side of the door.

2. If the door is properly aligned, go on to **6 Prepare Plumbing**. If it is not, use the following procedure.

Adjusting Door Alignment

1. Loosen (do not remove) top and bottom hinge screws. See **Figure 15**.
2. Align door squarely with cabinet. Make sure gasket is firmly in contact with cabinet all the way around the door (no gaps).
3. Tighten bottom hinge screws.
4. Tighten top hinge screws. Go on to **6 Prepare Plumbing**.

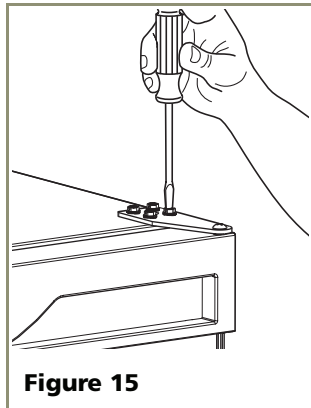


Figure 15

6 Prepare Plumbing

⚠ CAUTION

Plumbing installation must observe all state and local codes. All water connections **MUST BE** made by a licensed/qualified plumbing contractor. Failure to follow recommendations and instructions may result in damage and/or harm.

⚠ WARNING

To prevent accidental electrocution, make certain that the floor surfaces surrounding the unit are dry whenever power is removed from, or applied to, the unit.

Water Supply Connection

When connecting the water supply, follow these guidelines:

- Review the local plumbing codes before you install the unit.
- Connect to the cold water supply.
- The water pressure should be between 20 and 120 psi.
- Install a shutoff valve in the 1/4 inch OD water supply line.
- Connect sufficient tubing to the unit so that tubing may be looped, allowing the unit to be removed for cleaning and servicing (see **Figure 18**). However, make certain that the tubing is not pinched or damaged during installation.
- U-Line recommends the use of copper tubing for installation.

To connect to water supply:

1. Install the 1/4 inch OD copper water line from the main water source.

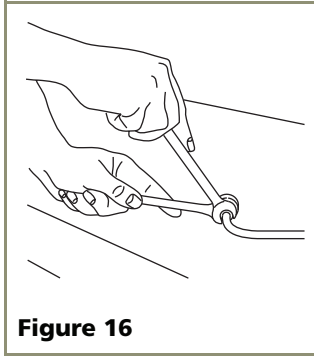


Figure 16

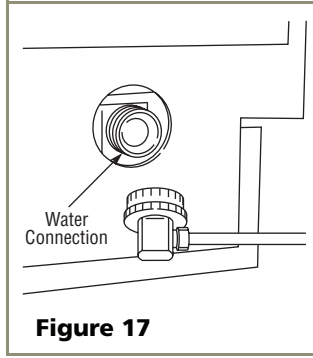


Figure 17

2. Locate the compression fitting and ferrule packed with the unit. Slide the compression fitting and ferrule over the 1/4-inch OD water supply line. Do not use thread sealing compound or tape. Using two wrenches, tighten the compression fitting on the supply line (see **Figure 16**).
3. Carefully bend the water supply line into position and connect the line to the solenoid valve (see **Figure 17**). Avoid kinking the water supply line.

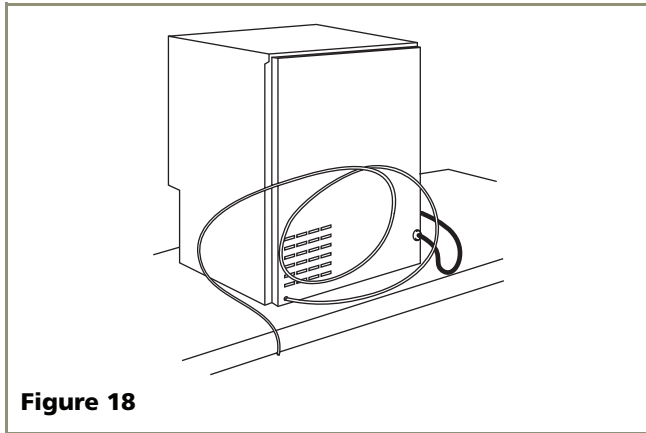


Figure 18

IMPORTANT

Normal operation creates some vibration. A water supply line contacting cabinet wall may cause excessive noise during operation or damage to the line.

4. For recessed installations, allow extra water supply line length to provide slack for easy removal from the recessed area (see **Figure 18**). This will also safeguard against kinking the line.
5. Go on to **7 Prepare Power Supply**.

7 Prepare Power Supply

Electrical Specifications

⚠ CAUTION

Electrical installation must observe all state and local codes. This unit requires connection to a grounded (three-prong), polarized receptacle that has been placed by a qualified electrician.

The unit requires a grounded and polarized 115 VAC, 60 Hz, 15A power supply (normal household current). An individual, properly grounded branch circuit or circuit breaker is recommended. GFCI (ground fault circuit interrupter) is usually not required for fixed location appliances and is not recommended for your unit because a GFCI could be prone to nuisance tripping. However, be sure to consult your local codes.

See **Figure 19** for recommended receptacle location.

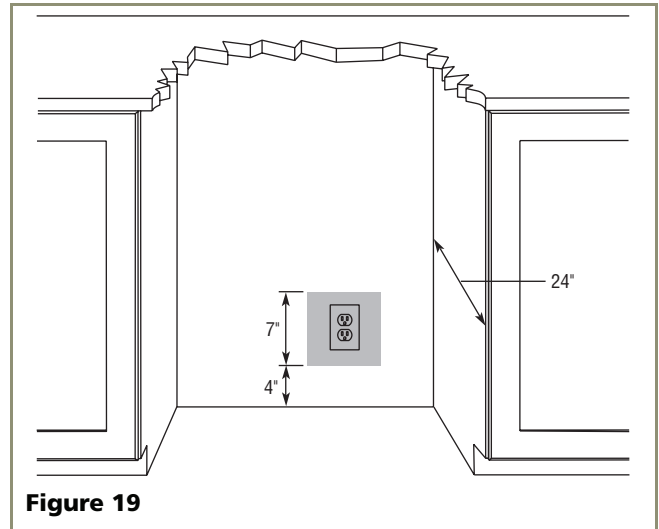


Figure 19

⚠ WARNING

SHOCK HAZARD — Electrical Grounding Required.

- **Never remove the round grounding prong from the plug and never use a two-prong grounding adapter.**
- **Never use an extension cord to connect power to the unit.**

Go on to **8 Level the Unit**.

8 Level the Unit

Leveling Information

IMPORTANT

It is extremely important that the unit is level. If it is not level, the ice mold will not fill evenly.

1. Use a level to check the levelness of the unit from front to back and from side to side. Level should be placed along top edge and side edge as shown (see **Figure 20**).

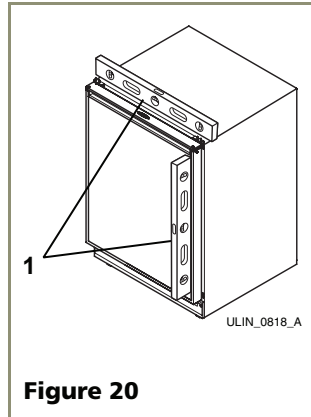


Figure 20

2. If the unit is not level, adjust the feet on the corners of the unit as necessary (see **Figure 21**).

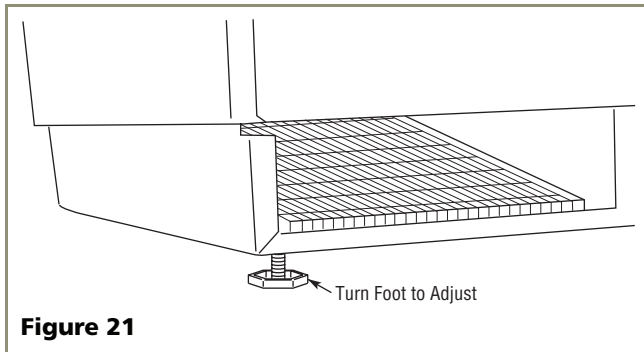


Figure 21

3. Check the levelness after each adjustment and repeat the previous steps until the unit is level. Go on to **9 Install the Unit**.

Installation Tip

If the room floor is higher than the floor in the cut-out opening, adjust the rear feet to achieve a total unit rear height of 1/8" less than the opening's rear height. Shorten the unit height in the front by adjusting the front feet. This allows the unit to be gently tipped into the opening. Readjust the front feet to level the unit after it is correctly positioned in the opening.

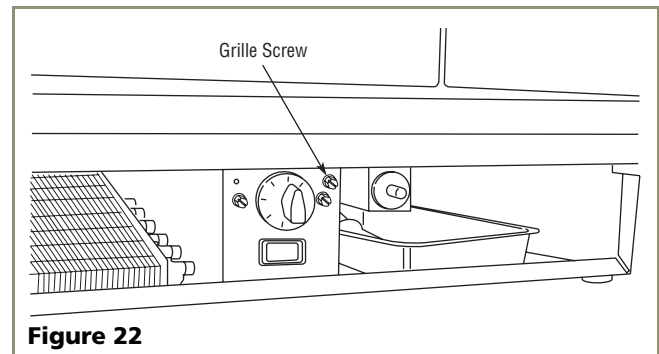
9 Install the Unit

Installation of the C075A

1. Open the water supply valve in the main water source.
2. Plug in the power cord.
3. Gently push the unit into position. Be careful not to kink the water supply line or entangle the electrical cord.
4. Re-check the leveling, from front to back and side to side. Make any necessary adjustments. The unit's top surface should be approximately 1/8" below the countertop.

Grille Installation

1. Locate and remove the grille screw from the cabinet, using a standard blade screwdriver (or a 1/4" nutdriver). See **Figure 22**.



2. Remove the control knob by pulling it away from the cabinet.
3. Identify the grille screw hole on the grille itself. It is located toward the top of the middle recessed section of the grille.
4. Place the two hook-hinges (located on the rear bottom side of the grille) onto the front lip of the unit base. Swing the grille up into position, aligning the grille screw hole on the grille to the grille screw hole on the cabinet. See **Figure 23**.

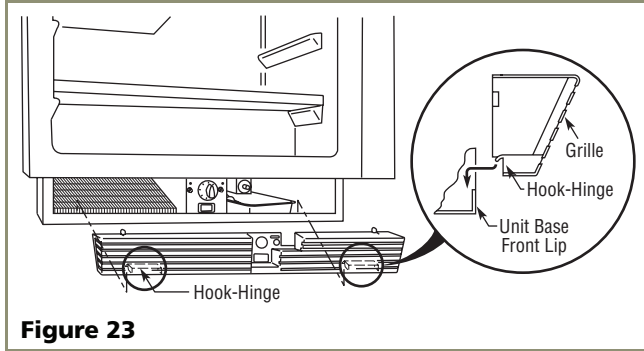


Figure 23

5. Insert the screw. Do not over-tighten.
6. Reinstall control knob.

Glass Shelf Installation

1. Carefully remove the glass shelves from the packaging.
2. Slide the shelves onto lower sets of ribs, making sure the decorative graphics are on the underside of the shelves. While edge strips go toward the rear and silver edge strips go toward the front. See **Figure 24**.

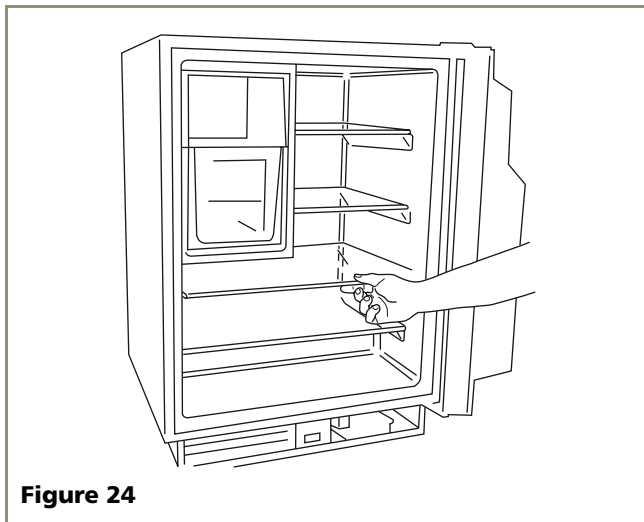


Figure 24

Installation Troubleshooting

Q: Problem

Water is leaking under the unit.

A: Solution

A water leak under the unit is most likely caused by a bad connection in the water supply line. Make sure the water line's brass fitting is screwed tight to its valve and threaded correctly. Make sure that plumbers tape was NOT used; if it was remove all traces before reinstalling.

10 Start-Up for the First Time

Initial Start-Up

The unit is shipped with the control preset to a mid-point setting between 4 and 5. Assure that setting was not altered in shipment. No other adjustments should be necessary at this time. For information about Adjusting the Temperature Control, see the User Manual.

As soon as the ice maker mold reaches the proper temperature, the ice maker mechanism will fill the mold with water.

Note: The first cubes may be small because of air in the water line. After two hours, cubes will be standard size.

The ice maker will continue to produce until the bin is full. You may interrupt production by raising the bin arm into an upright and locked position (see **Figure 25**). While the bin arm is locked, the unit will maintain temperature for ice storage.

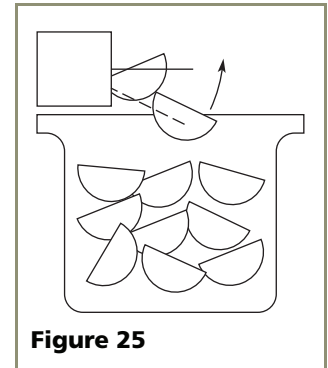


Figure 25

IMPORTANT

It is possible that dirt or scale will dislodge in the water line. Always throw away all ice cubes made during the first twenty-four (24) hours of operation.

CAUTION

The ice bucket **MUST** be fully inserted to avoid freezing products in the refrigerator section. The ice bin door must be fully closed.

Start-Up Troubleshooting

Q: Problem

Unit does not appear to turn on when plugged in.

A: Solution

Make sure outlet has power (circuit breaker has not tripped). Be sure that control is not turned to the off position. Make sure the on/off switch is turned on.

Q: Problem

Water does not appear to be flowing into unit.

A: Solution

Check that the water is connected and turned on and the line is not obstructed. Water coming into the unit may take an hour or more.

Q: Problem

The cubes produced during the first two to three hours of operation have been discarded. New cubes still appear cloudy.

A: Solution

This is normal and is caused by air being trapped in the cube during fast freezing.

Q: Problem

The light doesn't come on when the door is opened.

A: Solution

Check to make sure the light bulb is working.

IMPORTANT

See the User Manual's *Troubleshooting Guide* for more solutions.

Who to Call

Service Information

If the need for service arises, contact the dealer from whom the unit was purchased. State the Model Number and Serial Number and explain the problem. The Model and Serial Number plate is located inside unit at upper right hand corner.

If you need to locate a service company, you can go online at **www.U-LineService.com** and search for a service company by zip code.

For more than four decades, U-Line has distinguished itself as the leader in built-in undercounter ice making, refrigeration and wine storage appliances.

U-Line Corporation, located in Milwaukee, WI, is a family operated manufacturer of built-in undercounter icemakers, Combo® icemaker/refrigerators, Wine Captain® wine storage units, refrigerators, refrigerated drawers and refrigerator/freezers.