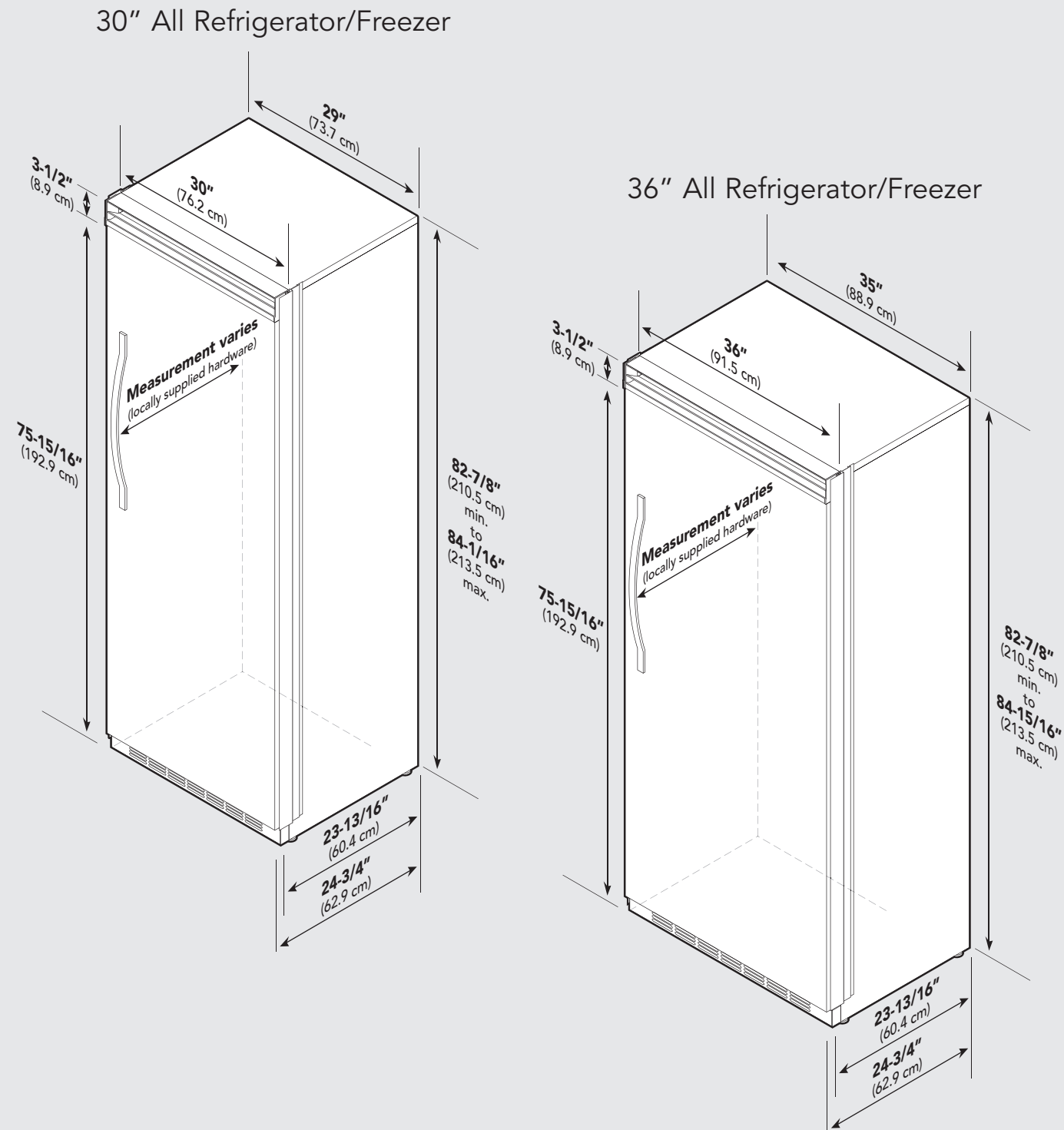


Dimensions (All Refrigerator/Freezer)



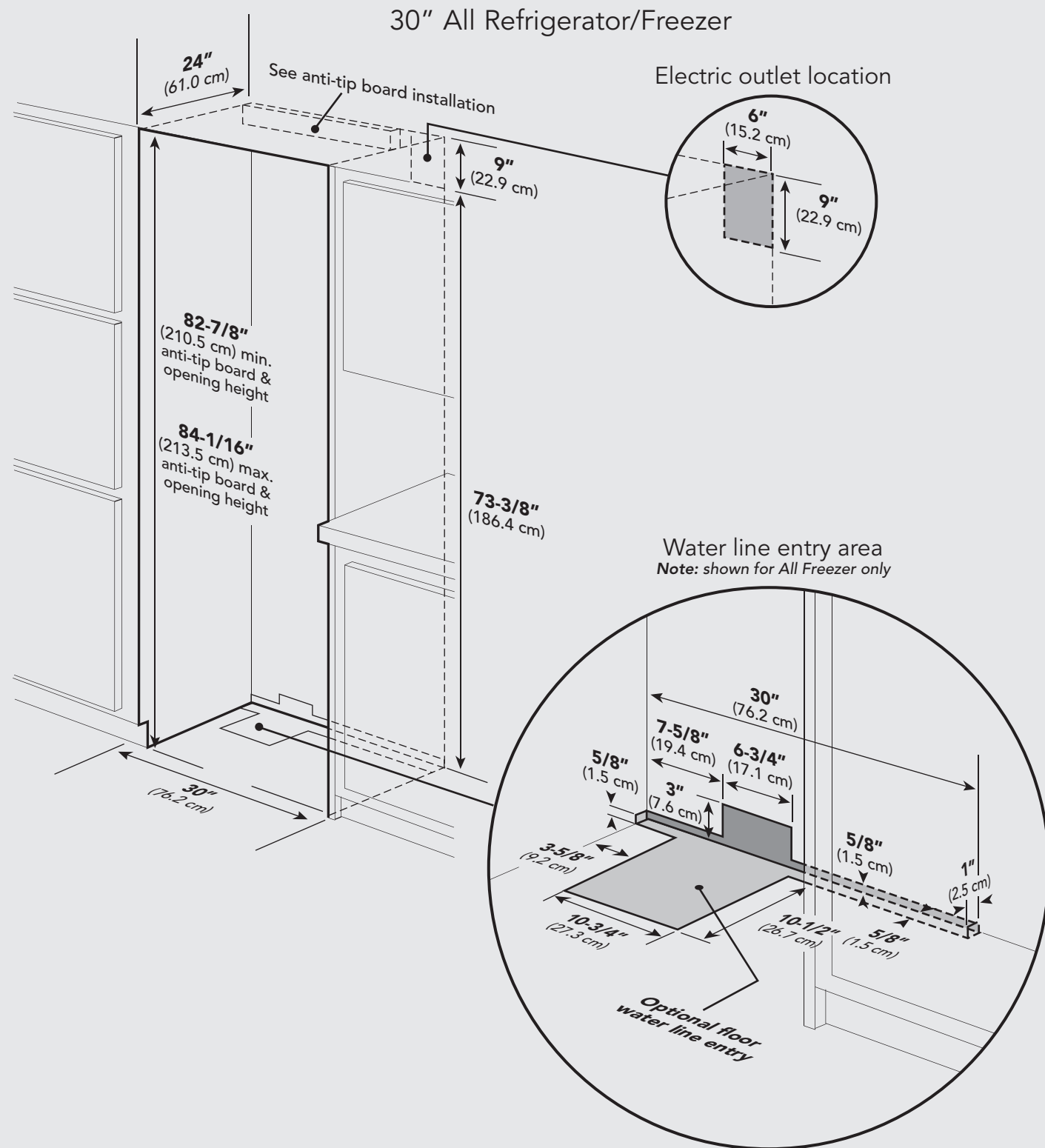
Specifications (All Refrigerator/Freezer)

30" All Refrigerator/Freezer		
Description	DFFB304	DFRB304
Overall width	30" (76.2 cm)	
Overall height (from bottom)	82-3/4" (210.2 cm) min. to 84-1/16" (213.5 cm) max.	
Overall depth (from rear)	To front edge of side trim: 23-13/16" (60.5 cm) To front of top grille: 24-3/4" (62.9 cm) To front edge of door trim: 24" (61.0 cm)	
Cutout width	30" (76.2 cm)	
Cutout height	82-7/8" (210.5 cm) min. to 84-1/16" (213.5 cm) max.	
Cutout depth	24" (61.0 cm) min.*	
Electrical requirements	115 volt, 60 Hz, 15 amp dedicated circuit; 3-wire cord with grounded 3-prong plug attached to product	
Maximum amp usage	9.9 amps	
Inlet water requirements	1/4" copper tubing inlet waterline; minimum 20 psi; maximum 120 psi	N/A
Overall interior dimensions total capacity	15.9 cu. ft. (450 liters)	18.2 cu. ft. (516 liters)
Maximum panel weight	50 lbs. (22.7 kg)	
Approximate shipping weight	425 lbs. (193.2 kg)	

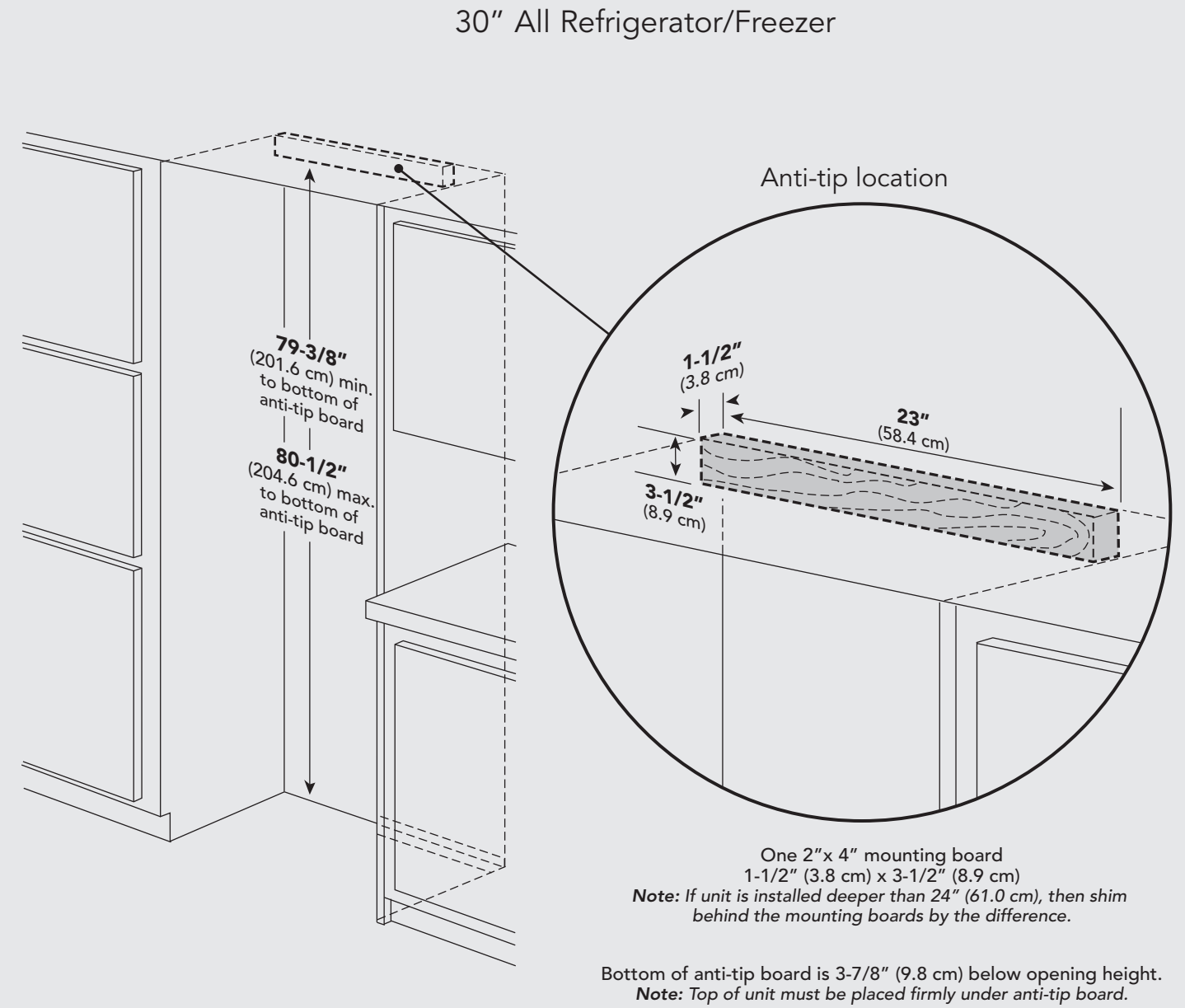
36" All Refrigerator/Freezer		
Description	DFFB364	DFRB364
Overall width	36" (91.5 cm)	
Overall height (from bottom)	82-3/4" (210.2 cm) min. to 84-1/16" (213.5 cm) max.	
Overall depth (from rear)	To front edge of side trim: 23-13/16" (60.5 cm) To front of top grille: 24-3/4" (62.9 cm) To front edge of door trim: 24" (61.0 cm)	
Cutout width	36" (91.5 cm)	
Cutout height	82-7/8" (210.5 cm) min. to 84-1/16" (213.5 cm) max.	
Cutout depth	24" (61.0 cm) min.*	
Electrical requirements	115 volt, 60 Hz, 15 amp dedicated circuit; 3-wire cord with grounded 3-prong plug attached to product	
Maximum amp usage	9.9 amps	
Inlet water requirements	1/4" copper tubing inlet waterline; minimum 20 psi; maximum 120 psi	N/A
Overall interior dimensions total capacity	19.1 cu. ft. (541 liters)	22.8 cu. ft. (646 liters)
Maximum panel weight	60 lbs. (27.2 kg)	
Approximate shipping weight	500 lbs. (227.3 kg)	

*Full overlay models fit flush in 25" (63.5 cm) deep cabinet openings. They can be installed in standard 24" (61.0 cm) deep openings. The door faces and top grille will protrude 3/4" (1.9 cm) into the room.

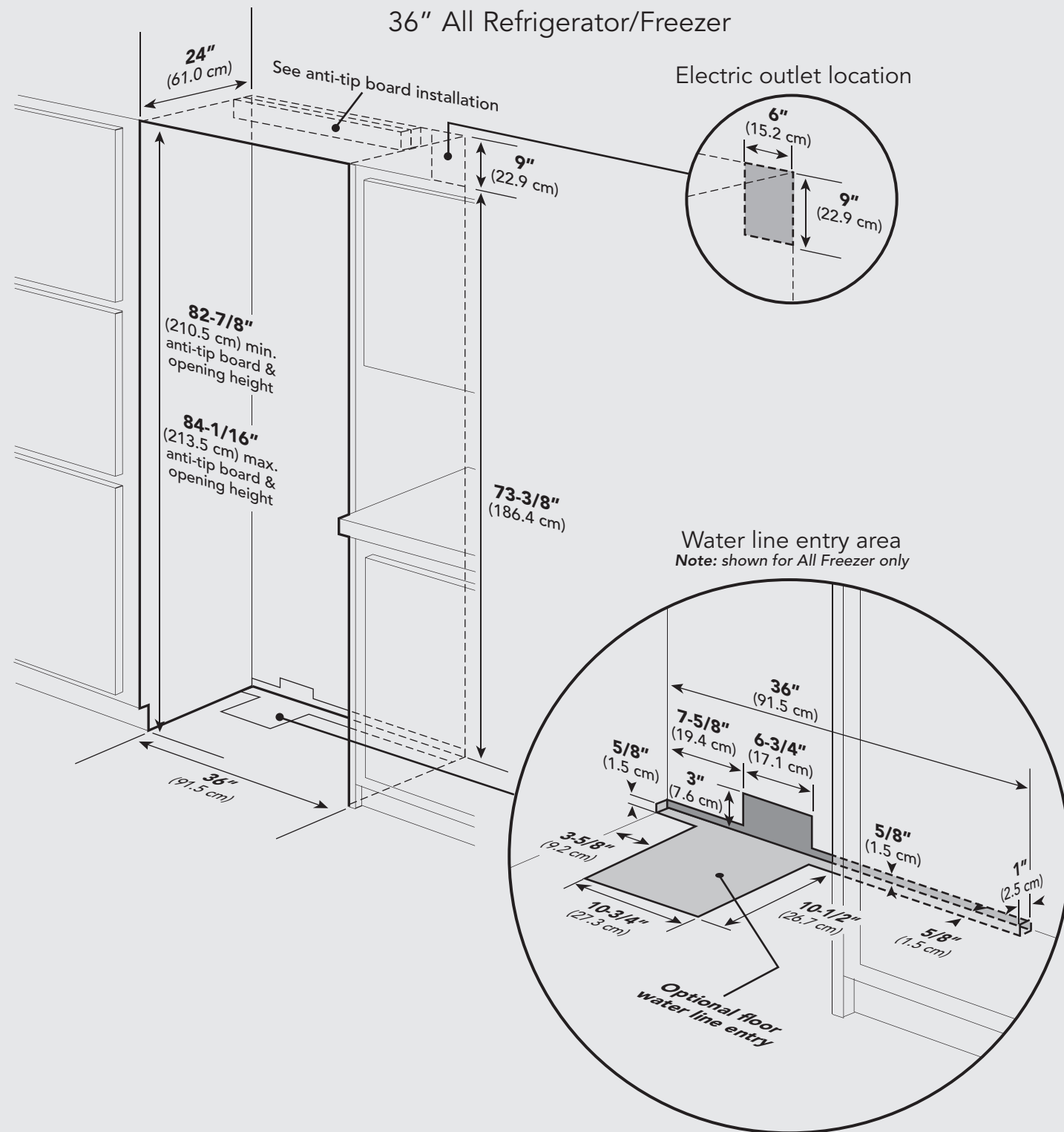
Cutout Dimensions (All Refrigerator/Freezer)



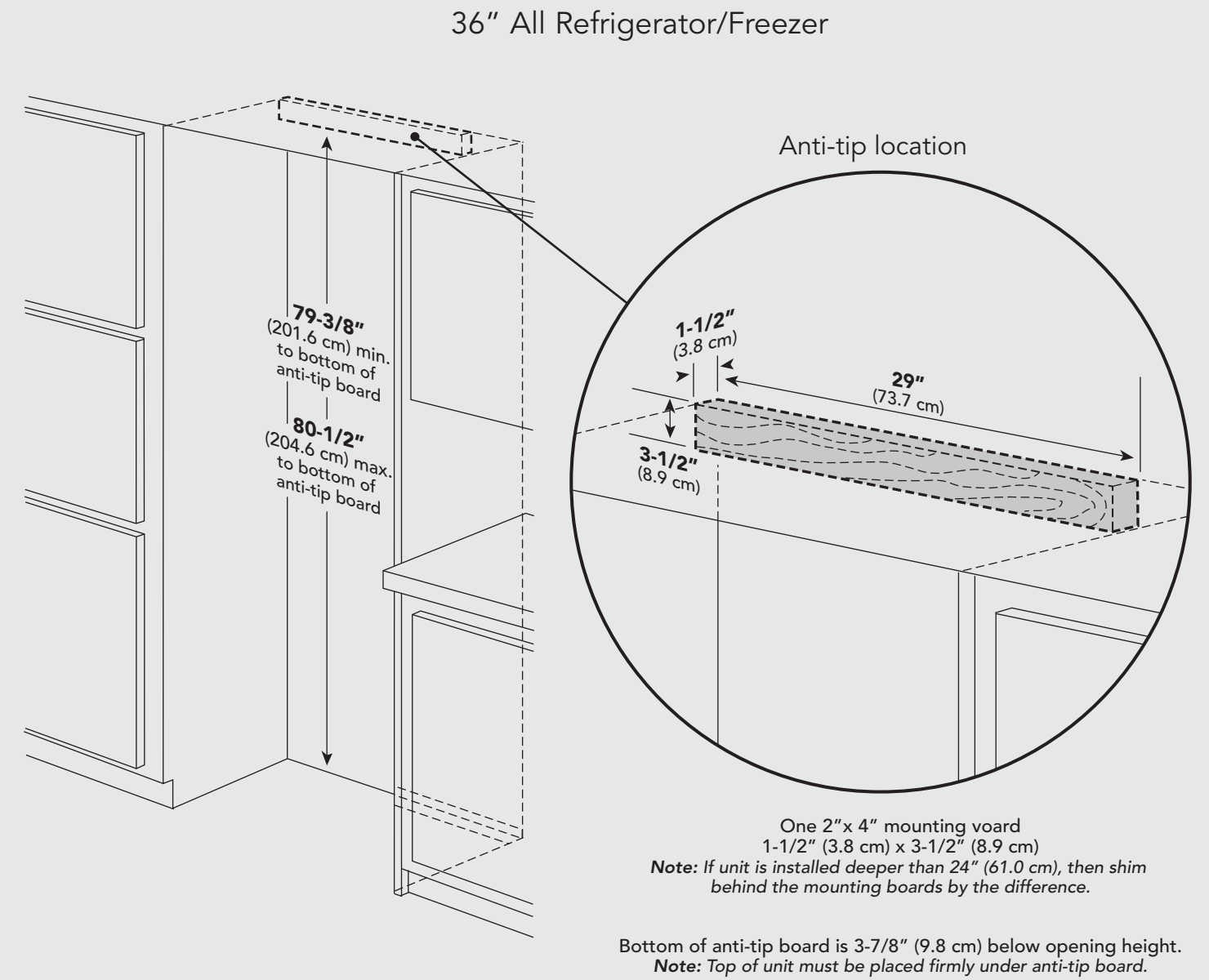
Anti-Tip Dimensions (All Refrigerator/Freezer)



Cutout Dimensions (All Refrigerator/Freezer)

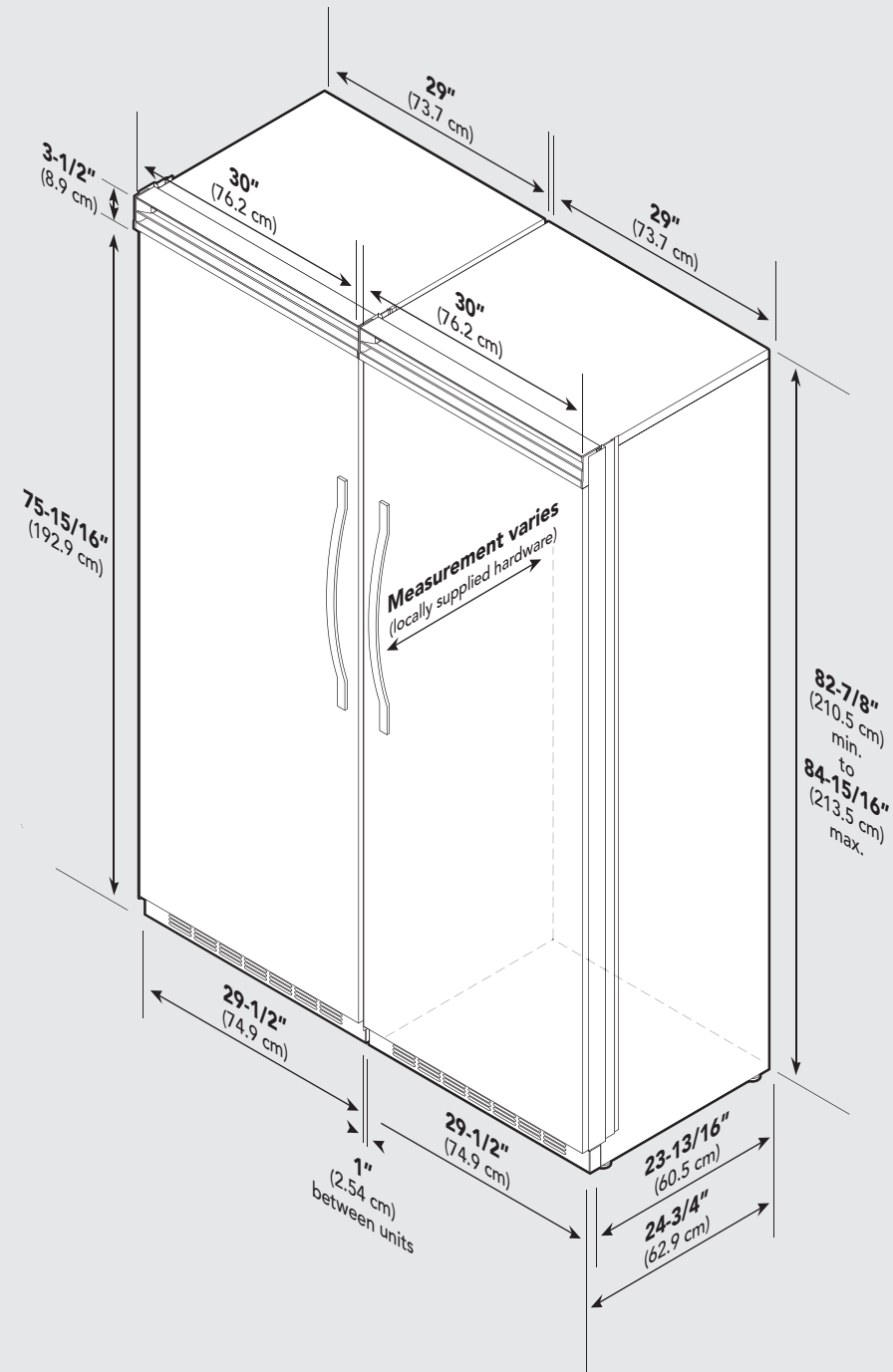


Anti-Tip Dimensions (All Refrigerator/Freezer)



Dimensions (All Refrigerator/Freezer)

Dual 30" All Refrigerator/Freezer



Dimensions (All Refrigerator/Freezer)

Dual 30" and 36" All Refrigerator/Freezer

