

INSTALLATION INSTRUCTIONS

For Built-in Refrigerators

INSTRUCCIONES DE INSTALACIÓN

Para los refrigeradores
empotrados

INSTRUCTIONS D'INSTALLATION

Pour réfrigérateurs encastrés

Side by Side Models/
Modelos con dos puertas/
Modèles côte à côte
KBUIT4250A, KBUDT4250A
KBUIT4260A, KBUDT4260A
KBUIT4270A, KBUDT4270A
KBUIT4850A, KBUDT4850A
KBUIT4860A, KBUDT4860A
KBUIT4870A, KBUDT4870A

Thermador[®]

TABLE OF CONTENTS

REFRIGERATOR SAFETY	3	INSTALLATION INSTRUCTIONS	17
DESIGN SPECIFICATIONS	4	Unpack Refrigerator	17
Models - Side by Side Non-Dispensing Refrigerators	4	Reduce Tipping Radius.....	18
Models - Side by Side Dispensing Refrigerators.....	5	Install Anti-Tip Boards.....	18
Product Dimensions.....	6	Connect Water Supply.....	19
Tipping Radius	7	Plug in Refrigerator.....	19
Door Swing Dimensions.....	7	Move Refrigerator to Final Position.....	19
Handle and Door Clearances for Custom Panel Series	8	Lower Leveling Legs	20
Custom Panels.....	10	Install Custom Panels.....	20
Full-Overlay Custom Panels	12	Level Refrigerator	21
Curved Handle and Professional Handle Series Side Panels ...	13	Adjust Doors.....	21
Custom Panel Series Side Panels	14	Install Side Panel	22
INSTALLATION REQUIREMENTS	15	Install Base Grille.....	22
Tools and Parts	15	Complete Installation.....	22
Location Requirements	15		
Electrical Requirements	16		
Water Supply Requirements.....	17		

ÍNDICE

SEGURIDAD DEL REFRIGERADOR	23	Requisitos eléctricos	36
ESPECIFICACIONES DE DISEÑO	24	Requisitos del suministro de agua.....	37
Modelos - Refrigeradores de lado a lado sin despachador.....	24	INSTRUCCIONES DE INSTALACIÓN	37
Modelos - Refrigeradores de lado a lado con despachador	25	Cómo desempacar su refrigerador.....	37
Medidas del producto.....	26	Cómo reducir el arco de vuelco.....	38
Arco de vuelco	27	Cómo instalar los tableros antivuelco.....	38
Medidas de oscilación de las puertas	27	Cómo conectar el suministro de agua.....	39
Espacios para la agarradera y la puerta para la serie de paneles a la medida	28	Cómo enchufar el refrigerador	40
Paneles a la medida	30	Ubicación final del refrigerador	40
Paneles a la medida totalmente recubiertos	32	Baje las patas niveladoras	40
Paneles laterales de la serie de agarradera curva y de agarradera profesional	33	Cómo instalar los paneles a la medida.....	40
Paneles laterales para la serie de paneles a la medida.....	34	Cómo nivelar el refrigerador.....	41
REQUISITOS DE INSTALACIÓN	35	Cómo ajustar las puertas	42
Piezas y Herramientas	35	Cómo instalar el panel lateral.....	43
Requisitos de ubicación.....	35	Cómo instalar la rejilla de la base	43
		Cómo terminar la instalación	43

TABLE DES MATIÈRES

SÉCURITÉ DU RÉFRIGÉRATEUR	44	Spécifications électriques	57
SPÉCIFICATIONS DE DESIGN	45	Spécifications de l'alimentation en eau	58
Modèles - Réfrigérateurs côte à côte sans distributeur	45	INSTRUCTIONS D'INSTALLATION	58
Modèles - Réfrigérateurs côte à côte avec distributeur	46	Déballage du réfrigérateur.....	58
Dimensions du produit.....	47	Réduction du rayon de basculement.....	59
Rayon de basculement	48	Installation de planches antibasculement.....	59
Dimensions pour le pivotement des portes.....	48	Raccordement de la canalisation d'eau	60
Dégagements pour les poignées et portes	49	Brancher le réfrigérateur.....	61
Panneaux personnalisés	51	Déplacement du réfrigérateur à l'emplacement final.....	61
Panneaux de revêtement personnalisés.....	53	Déploiement des pieds de nivellement	61
Séries de panneaux latéraux à poignée galbée et Professional.....	54	Installation des panneaux personnalisés	61
Panneaux latéraux de la série de panneaux personnalisés	55	Nivellement du réfrigérateur	62
EXIGENCES D'INSTALLATION	56	Ajustement des portes	63
Outillage et pièces nécessaires	56	Installation du panneau latéral	64
Exigences d'emplacement.....	56	Installation de la grille de la base	64
		Achever l'installation	64

REFRIGERATOR SAFETY

Your safety and the safety of others are very important.

We have provided many important safety messages in this manual and on your appliance. Always read and obey all safety messages.



This is the safety alert symbol.

This symbol alerts you to potential hazards that can kill or hurt you and others.

All safety messages will follow the safety alert symbol and either the word "DANGER" or "WARNING." These words mean:

⚠ DANGER

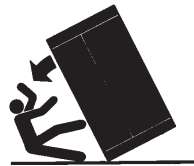
You can be killed or seriously injured if you don't immediately follow instructions.

⚠ WARNING

You can be killed or seriously injured if you don't follow instructions.

All safety messages will tell you what the potential hazard is, tell you how to reduce the chance of injury, and tell you what can happen if the instructions are not followed.

⚠ WARNING



Tip Over Hazard

Refrigerator is top heavy and tips easily when not completely installed.

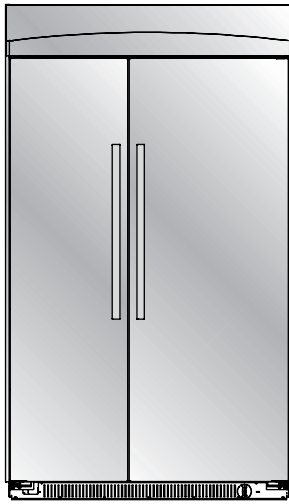
Keep doors taped closed until refrigerator is completely installed.

Use two or more people to move and install refrigerator.

Failure to do so can result in death or serious injury.

DESIGN SPECIFICATIONS

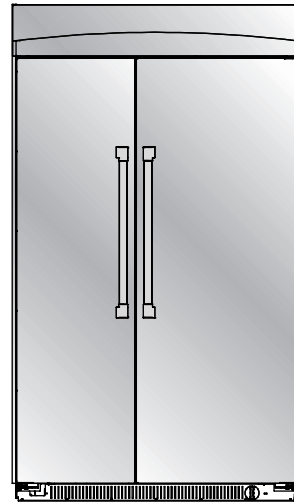
Models - Side by Side Non-Dispensing Refrigerators



Curved Handle Series

Features stainless steel exterior styling complemented by curved door handles.

KBUI4250A KBUI4850A

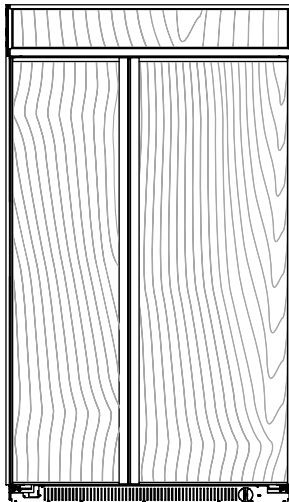


Professional Handle Series

Features stainless steel exterior styling with professional-look door handles.

KBUI4260A KBUI4860A

Custom Panel Series



Features factory-installed, traditional style trim to provide a “framed” look. This series requires the installation of custom panels that are not included.

KBUI4270A KBUI4870A

TRIMKITSXS - Trimless Trim Kit

On the Custom Panel Series, you can create a “frameless” look using full-overlay custom panels. You will need to order a Trimless Trim Kit for Side by Sides TRIMKITSXS. This accessory kit contains parts to replace the factory trim.

Full-overlay custom panels and handles are required but not included in the accessory kit. Create the panels according to the specifications in the “Full-Overlay Custom Panels” section. You can order a set of Thermador’s Curved Handles or select handles from another source. For door clearances, see “Handle and Door Clearances for Custom Panel Series.”

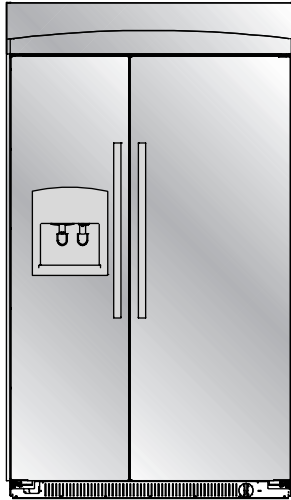
CURVEDHAND - Curved Handle Kit

For use with full-overlay custom panels, you can order Thermador’s Curved Handle Kit. The kit contains 2 handles, screws, and installation instructions.

EXHANDSXS - Extended Handle Kit for Side by Sides

This kit may be required if you install a custom raised panel. See “Handle and Door Clearances for Custom Panel Series.”

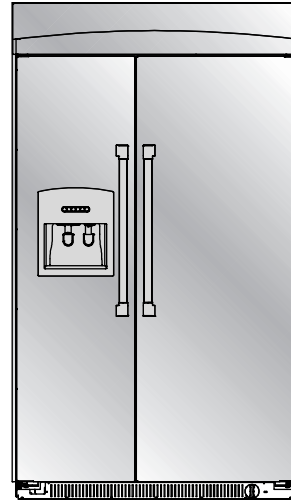
Models - Side by Side Dispensing Refrigerators



Curved Handle Series

Features stainless steel exterior styling complemented by curved door handles.

KBUDT4250A KBUDT4850A

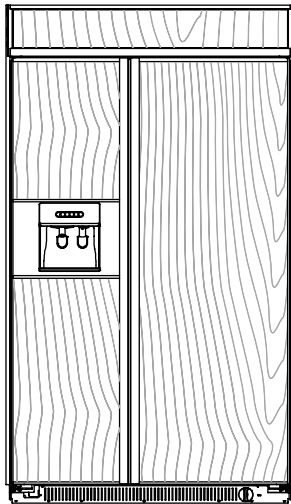


Professional Handle Series

Features stainless steel exterior styling with professional-look door handles.

KBUDT4260A KBUDT4860A

Custom Panel Series



Features factory-installed, traditional style trim to provide a “framed” look. This series requires the installation of custom panels that are not included.

KBUDT4270A KBUDT4870A

TRIMKITSXS - Trimless Trim Kit

On the Custom Panel Series, you can create a “frameless” look using full-overlay custom panels. You will need to order a Trimless Trim Kit for Side by Sides TRIMKITSXS. This accessory kit contains parts to replace the factory trim.

Full-overlay custom panels and handles are required but not included in the accessory kit. Create the panels according to the specifications in the “Full-Overlay Custom Panels” section. You can order a set of Thermador’s Curved Handles or select handles from another source. For door clearances, see “Handle and Door Clearances for Custom Panel Series.”

CURVEDHAND - Curved Handle Kit

For use with full-overlay custom panels, you can order Thermador’s Curved Handle Kit. The kit contains 2 handles, screws, and installation instructions.

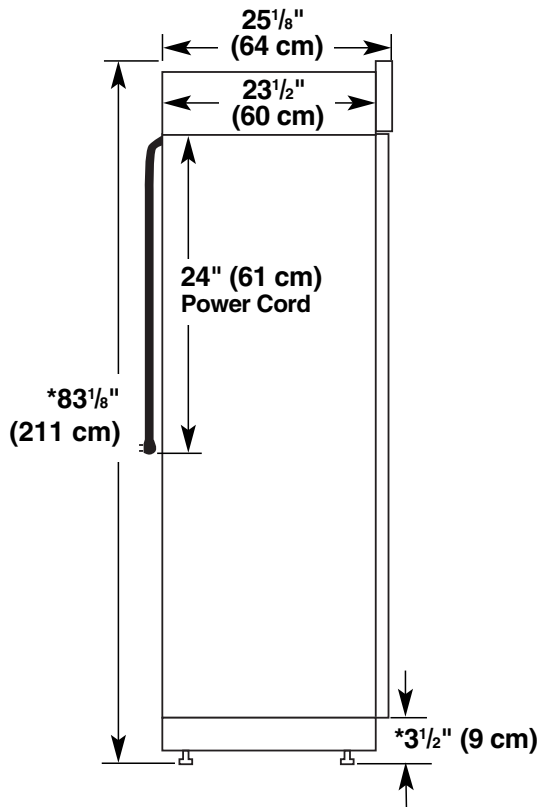
EXHANDSXS - Extended Handle Kit for Side by Sides

This kit may be required if you install a custom raised panel. See “Handle and Door Clearances for Custom Panel Series.”

Product Dimensions

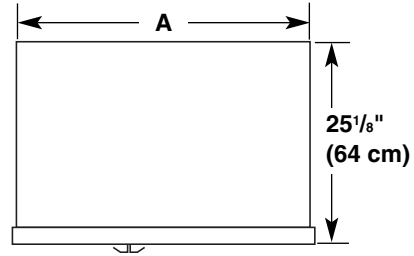
Side View

- The depth from the front of the top grille to the back of the refrigerator cabinet is 25¹/₈ in. (64 cm).
- The power cord is 24 in. (61 cm) long.
- The water line attached to the back of the refrigerator is 5 ft. (1.5 m) long.
- Height dimensions are shown with leveling legs extended 1/8 in. (3 mm) below the rollers.



*When leveling legs are fully extended to 1¹/₄ in. (32 mm) below rollers, add 1¹/₈ in. (29 mm) to the height dimensions.

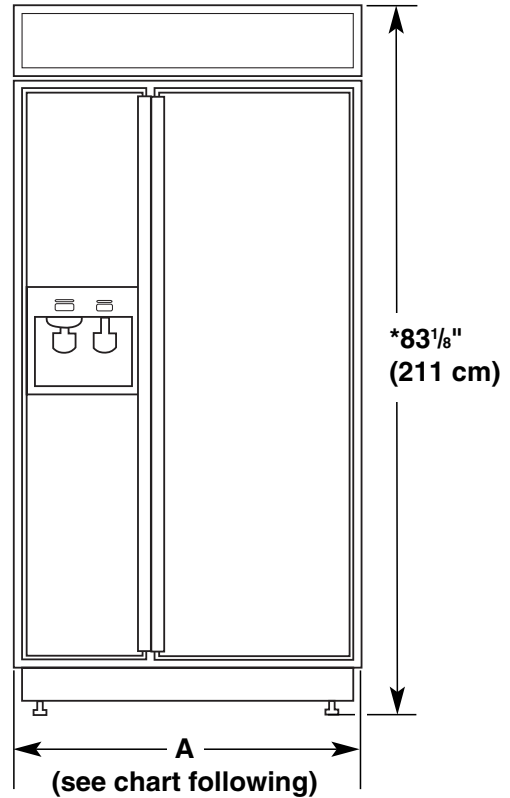
Top View



Model	Width A
42 in. (106 cm)	41 in. (104 cm)
48 in. (122 cm)	47 in. (119 cm)

Front View

- Width dimensions were measured from trim edge to trim edge.
- Height dimensions are shown with leveling legs extended 1/8 in. (3 mm) below the rollers.



Model	Width A (Trim edge to trim edge)
42 in. (106 cm)	42 ¹ / ₄ in. (107 cm)
48 in. (122 cm)	48 ¹ / ₄ in. (123 cm)

*When leveling legs are fully extended to 1¹/₄ in. (32 mm) below rollers, add 1¹/₈ in. (29 mm) to the height dimensions.

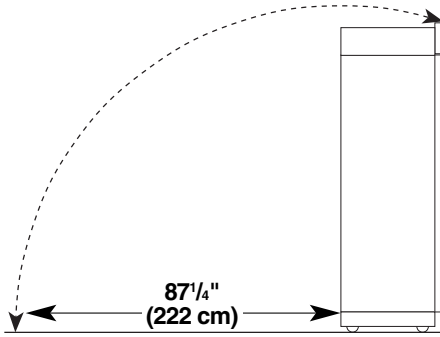
Tipping Radius

Be sure there is adequate ceiling height to stand the refrigerator upright when it is moved into place.

- The dolly wheel height must be added to the tipping radius when a dolly is used.
- If needed, the tipping radius can be reduced. See “Reduce Tipping Radius.”

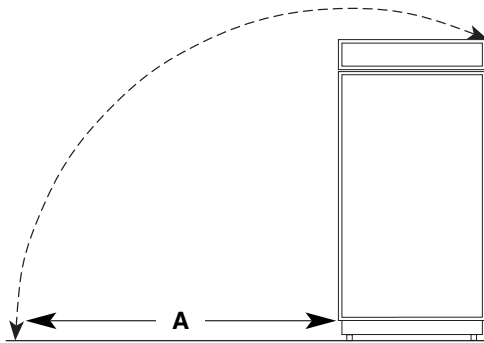
Forward Tipping Radius

The forward tipping radius is the same for all models.



Side Tipping Radius

The side tipping radius varies depending upon the width of the model. Use the chart provided to determine the side tipping radius.



Model	Tipping Radius A
42 in. (106 cm)	93 in. (236.2 cm)
48 in. (122 cm)	96 in. (243.8 cm)

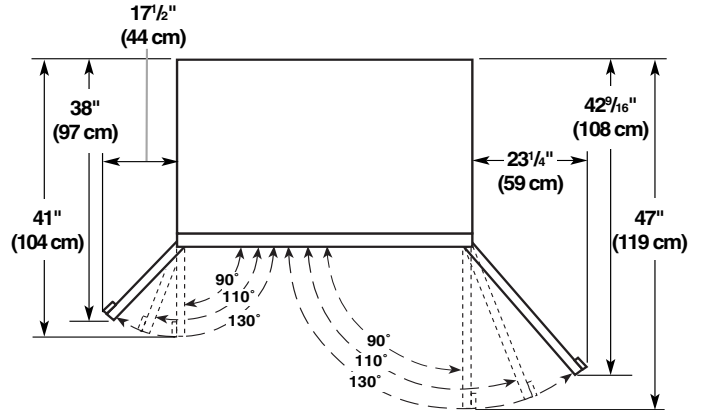
Door Swing Dimensions

The location must permit both doors to open to a minimum of 90°. Allow 4½ in. (11.4 cm) minimum space between the side of the refrigerator and a corner wall.

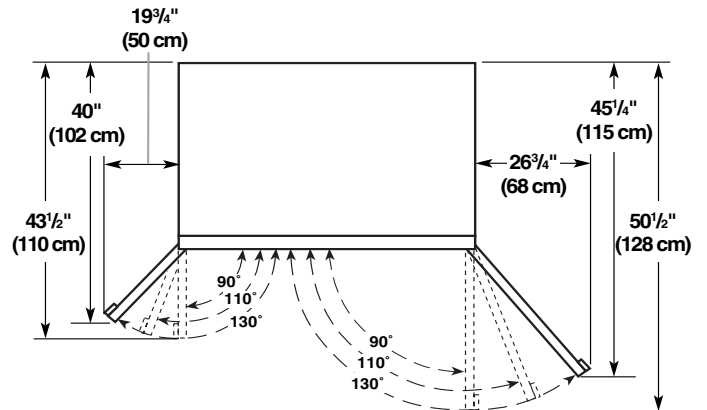
NOTE: More clearance may be required if you are using overlay panels or custom handles.

To adjust the door swing, see “Adjust Doors.”

42 in. (106 cm) Models

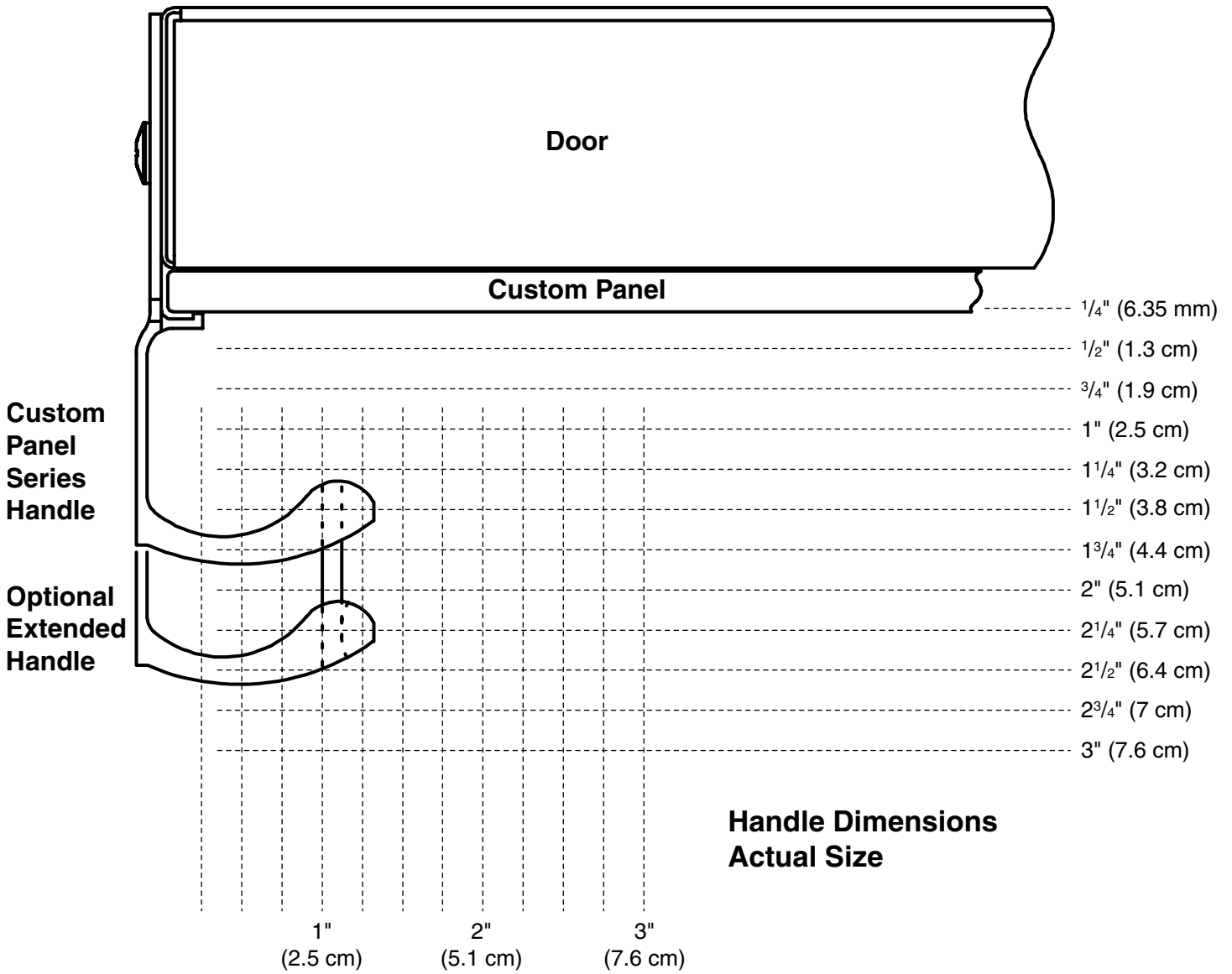


48 in. (122 cm) Models



Handle and Door Clearances for Custom Panel Series

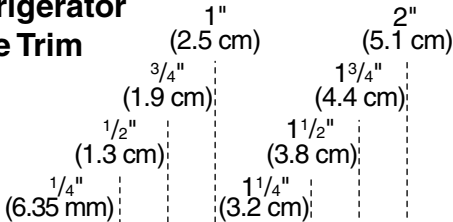
If you are installing custom panels, the panels must allow certain clearances for the handles and for the doors to swing open. An Extended Handle Kit may be required if you install a custom raised panel. See the "Models" section under "Design Specifications."



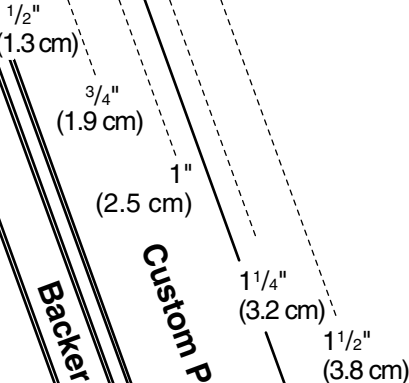
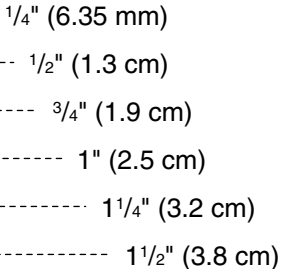
**Custom Panel Series
Clearances for
Full-Overlay Custom Panels**

**Door Swing 110°
Actual Size**

**Refrigerator
Side Trim**



Hinge



NOTE: To use full-overlay custom panels, you must order the Trimless Trim Kit. Additionally, you will need to order either a set of Thermador's Curved Handles or select handles from another source. See the "Models" section of "Design Specifications" for more information and specific kit.

Custom Panels

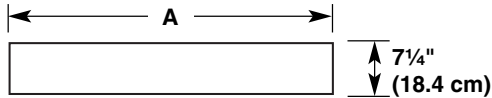
If you plan to install custom wood panels, you will need to create the panels yourself or consult a qualified cabinetmaker or carpenter. See dimensional drawings for panel specifications.

IMPORTANT: Panels weighing more than recommended may cause damage to your refrigerator.

NOTE: Dimensions shown have a (\pm) $\frac{1}{16}$ in. (1.5 mm) tolerance. Panels that are more than $\frac{1}{4}$ in. (6 mm) thick must be routed. If panels are less than $\frac{1}{4}$ in. (6 mm) thick, install a filler panel between the doors and decorative panels.

Top Grille Panel

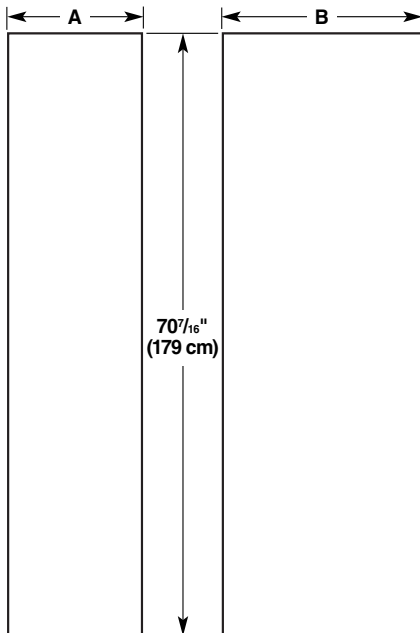
The top panel **SHOULD NOT WEIGH** more than 10 lbs. (4.5 kg) total weight.



Model	A
42 in. (106 cm)	40 1/2 in. (105 cm)
48 in. (122 cm)	46 1/2 in. (120 cm)

Door Panels for Non-dispenser Models

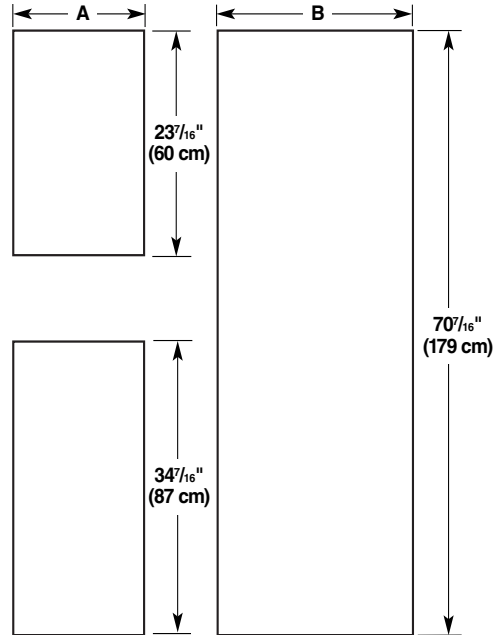
The freezer panel **SHOULD NOT WEIGH** more than 30 lbs. (13.5 kg) total weight. The refrigerator panel **SHOULD NOT WEIGH** more than 50 lbs. (23 kg) total weight.



Model	A	B
42 in. (106 cm)	16 3/4 in. (43 cm)	22 3/4 in. (58 cm)
48 in. (122 cm)	19 1/4 in. (49 cm)	26 1/4 in. (67 cm)

Door Panels for Dispenser Models

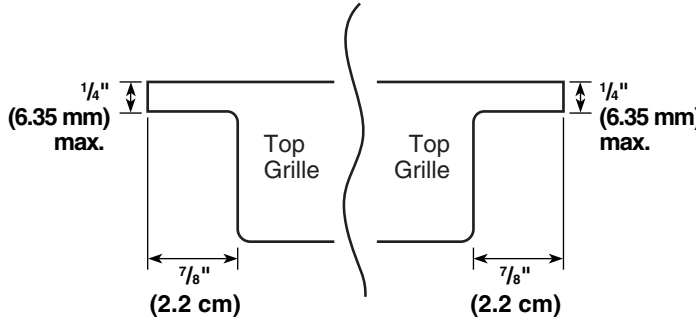
The two freezer panels combined **SHOULD NOT WEIGH** more than 30 lbs. (13.5 kg) total weight. The refrigerator panel **SHOULD NOT WEIGH** more than 50 lbs. (23 kg) total weight.



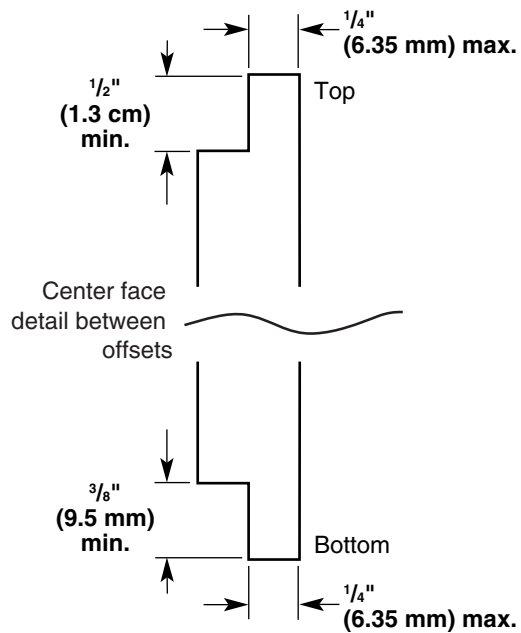
Model	A	B
42 in. (106 cm)	16 3/4 in. (43 cm)	22 3/4 in. (58 cm)
48 in. (122 cm)	19 1/4 in. (49 cm)	26 1/4 in. (67 cm)

Top Grille Panel – Routing Requirements

Top and bottom edges of the top panel should be edge routed $\frac{1}{2}$ in. (1.3 cm) and $\frac{3}{8}$ in. (9.5 mm), respectively. Both ends should be edge routed $\frac{7}{8}$ in. (2.2 cm) as shown.



NOTE: When creating a panel with face detail, the offsets will be hidden and must be accounted for in order to center the detail in the top grille.

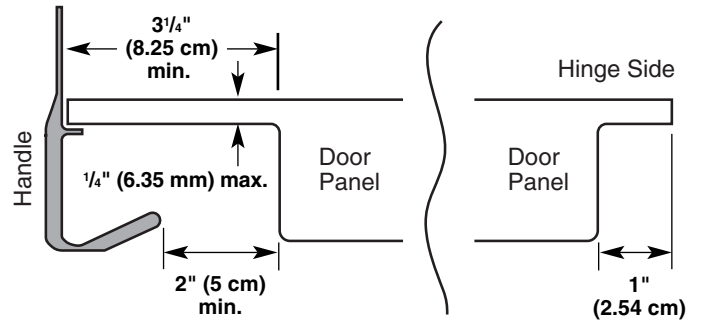


Door Panels – Routing Requirements

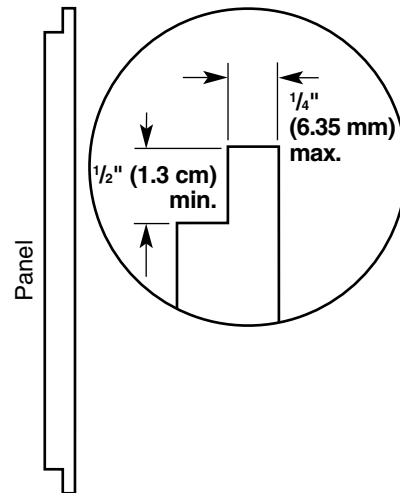
If an extended handle kit is used, then routing the handle side of the panels is not required. See “Handle and Door Clearances” for more information on ordering extended handles.

If the standard handle is used, route the entire handle side of both panels $3\frac{1}{4}$ in. (8.25 cm) to allow for finger clearance. Then route the other sides 1 in. (2.54 cm).

Standard Handle – Top View



Door Panel - Side View

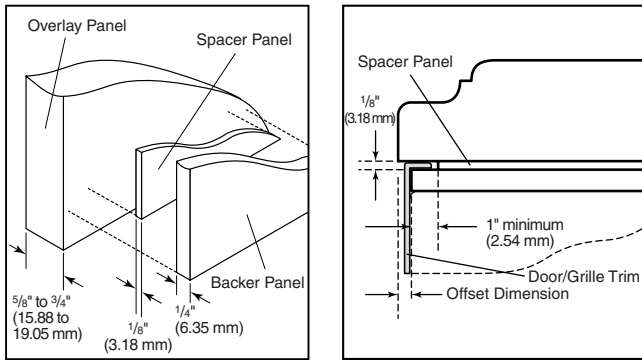


Full-Overlay Custom Panels

Custom overlay panels allow you to blend the exterior of your refrigerator into the overall kitchen décor, and to use custom handles for additional design flexibility.

NOTE: To use full-overlay custom panels, a Trimless Trim Kit for Side by Sides is required (TRIMKITSXS). Full-overlay custom panels and handles are required but not included. Create the panels according to these specifications. You may order Thermador's Curved Handle Kit (CURVEDHAND) or select handles from another source. See the "Models" section under "Design Specifications" for additional information.

The custom panels must have backer panels attached in order to mount them to the refrigerator. It is most common to work with three panels, as shown in the following graphic: a decorative overlay panel, a 1/8 in. (3.18 mm) spacer panel or spacer strips and a 1/4 in. (6.35 mm) backer panel.

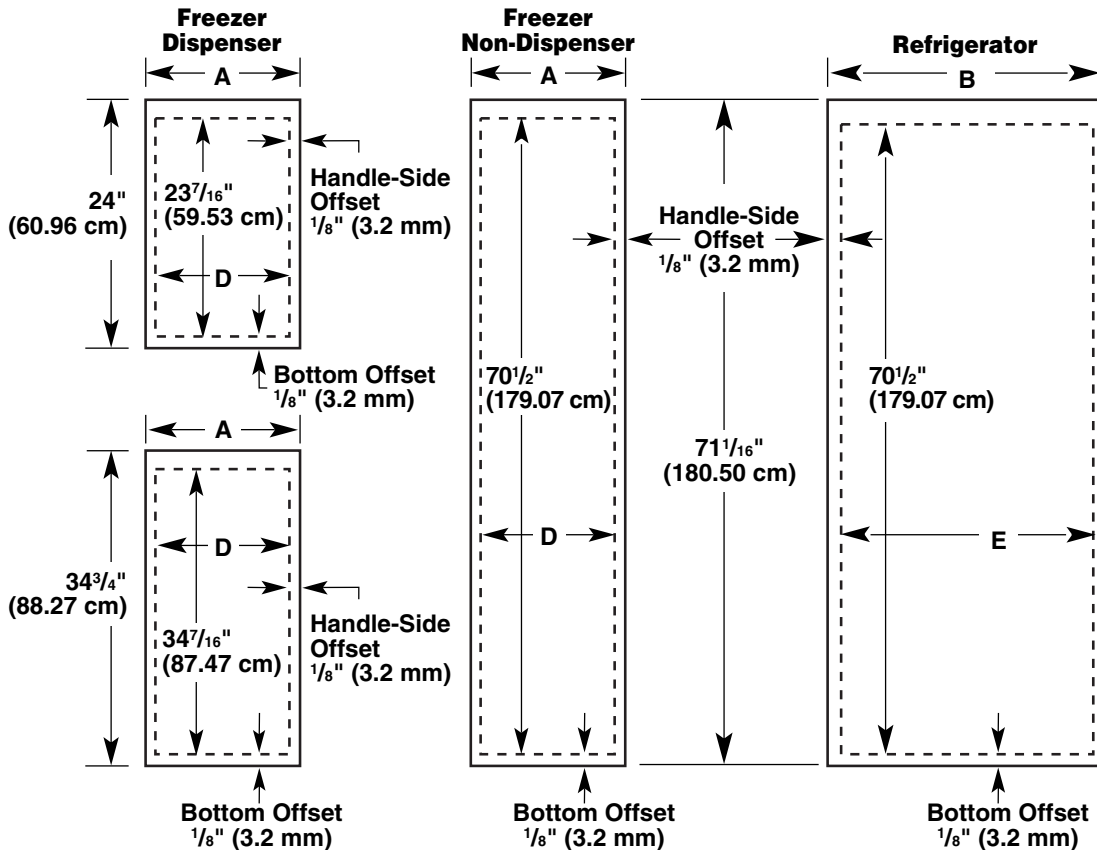
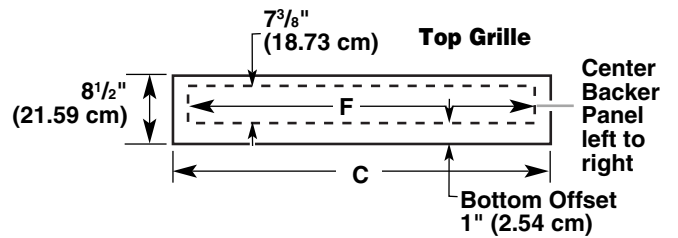


In some cases, your cabinet manufacturer may choose to work with one panel routed for the different dimensions. Follow these panel dimension and placement instructions to be sure that the custom overlay panels will fit properly.

IMPORTANT:

- The total weight of the refrigerator door overlay panel cannot exceed 50 lbs. (23 kg).
- The total weight of the freezer door overlay panel cannot exceed 30 lbs. (13.5 kg).
- The total weight of the top grille overlay panel cannot exceed 10 lbs. (4.5 kg).

To minimize panel weight, you may use 2 in. (5.08 cm) spacer strips around the perimeter in place of full-sheet solid spacer panels. The spacer strips must be set in at least 1 in. (2.54 cm) from the top, bottom and sides edges of the backer panel. If you use spacer strips, it is also recommended that you use 2 – 2 in. (5.08 cm) strips horizontally centered for added support.



Decorative Overlay Panels			
Model	A	B	C
42 in. (106 cm)	17 1/8 in. (43.50 cm)	23 1/8 in. (58.74 cm)	41 3/8 in. (105.09 cm)
48 in. (122 cm)	19 5/8 in. (49.85 cm)	26 5/8 in. (67.63 cm)	47 3/8 in. (120.33 cm)

Backer Panels			
Model	D	E	F
42 in. (106 cm)	16 15/16 in. (43.50 cm)	22 15/16 in. (58.26 cm)	40 1/2 in. (102.87 cm)
48 in. (122 cm)	19 7/16 in. (49.37 cm)	26 7/16 in. (67.15 cm)	46 1/2 in. (118.11 cm)

Curved Handle and Professional Handle Series Side Panels

Custom side panels may be needed when not enough space is available to have cabinets on both sides of the refrigerator or when the refrigerator is placed at the end of a cabinet run. You may choose an Inset, Flush, or Recessed Inset panel installation.

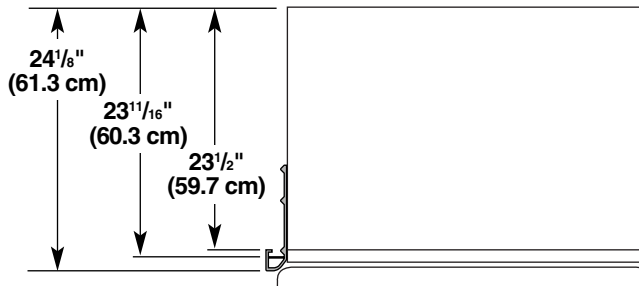
Refrigerator and Side Trim Dimensions

The width and height of a side panel are determined by the type of installation you are planning.

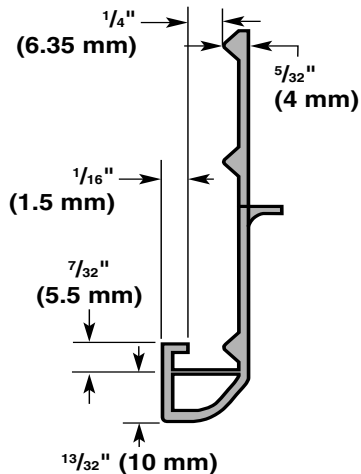
NOTES:

- The dimensions shown are actual product dimensions and may not reflect the needed panel installation dimensions.
- The side panel should be a minimum of ½ in. (1.3 cm) thick to prevent warping.
- If the opening depth is 25 in. (63.5 cm) or more, you may want to install a support board on rear wall.

Refrigerator

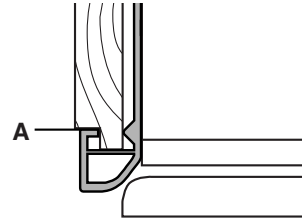


Side Trim



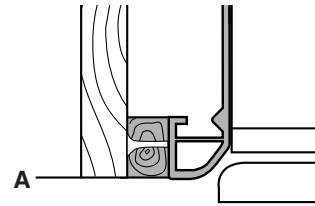
Inset Installation Dimensions

1. Measure the distance from point A (as shown) to the back wall. Add 7/32 in. (5.6 mm) to this measurement to allow the side panel to fit into the trim.
2. If the panel is more than ¼ in. (6 mm) thick, route the front edge to allow the side panel to fit into the trim.



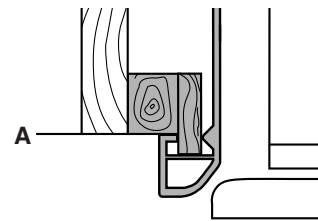
Flush Installation Dimensions

1. Measure the distance from point A (as shown) to the back wall.
2. Attach the support board with a screw or adhesive that is compatible with aluminum and wood.



Recessed Inset Installation Dimensions

1. Measure the distance from point A (as shown) to the back wall.
2. Route the front edge of the support board or attach a ¼ in. (6 mm) board to hold the panel in the cabinet side trim.



Custom Panel Series Side Panels

Custom side panels may be needed when not enough space is available to have cabinets on both sides of the refrigerator or when the refrigerator is placed at the end of a cabinet run. You may choose an Inset or Recessed Inset panel installation.

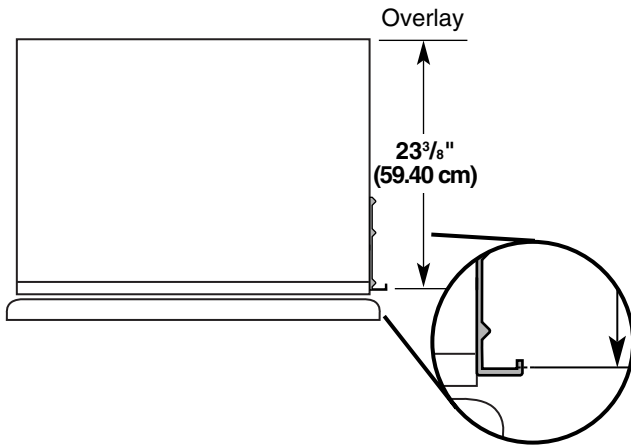
Refrigerator and Side Trim Dimensions

The width and height of a side panel are determined by the type of installation you are planning.

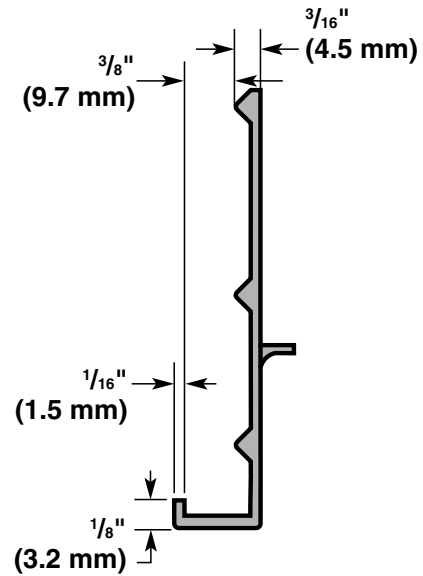
NOTES:

- The dimensions shown are actual product dimensions and may not reflect the needed installation dimensions.
- The side panel should be a minimum of 1/2 in. (12 mm) thick to prevent warping.
- If the opening depth is 25 in. (63.5 cm) or more, you may want to install a support board on rear wall.

Refrigerator

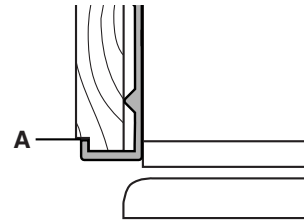


Side Trim



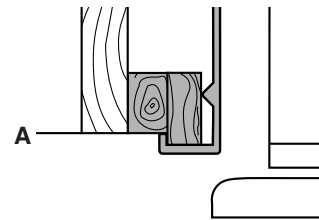
Inset Installation Dimensions

1. Measure the distance from point A (as shown) to the back wall. Add 1/32 in. (0.8 mm) to this measurement to allow the side panel to fit into the trim.
2. If the panel is more than 3/8 in. (9.5 mm) thick, route the front edge to allow the side panel to fit into the trim.



Recessed Inset Installation Dimensions

1. Measure the distance from point A (as shown) to back wall.
2. Route the front edge of the support board or attach a 3/8 in. (9.5 mm) board to hold the panel in the cabinet side trim.



INSTALLATION REQUIREMENTS

Tools and Parts

IMPORTANT:

- Installer: Leave Installation Instructions with the homeowner.
- Homeowner: Keep Installation Instructions for future reference. Save these Installation Instructions for the local electrical inspector's use.

Tools needed:

Make sure that you have the tools necessary for proper installation:

- | | |
|--|---|
| ■ Hand drill or electric drill (properly grounded) | ■ T27 flat-head 6 point driver |
| ■ Drill bits | ■ 1 $\frac{1}{32}$ in. nut driver |
| ■ Two adjustable wrenches | ■ $\frac{3}{8}$ in. and $\frac{1}{2}$ in. open-end wrenches |
| ■ Phillips screwdriver | ■ $\frac{5}{32}$ in. Allen wrench |
| ■ Small level | ■ $\frac{5}{16}$ in. socket wrench |
| ■ Appliance dolly | ■ Tape measure |


Parts needed:

- 6 - #8 x 3 in. (7.6 cm) wood screws (longer screws may be needed)
- 1 or 2 - 2 in. x 4 in. x 32 in. (5 cm x 10 cm x 81 cm) wood board(s)
- Make custom or overlay panels or consult a qualified cabinetmaker or carpenter to make the panels. See "Installation Requirements" and "Design Specifications" for more information.
- If you are connecting the water line directly to copper tubing and not to a shutoff valve, you need a ferrule, a union, and a $\frac{1}{4}$ in. (6.35 mm) compression fitting.

Location Requirements

The refrigerator can be recessed in an opening between cabinets or installed at the end of a cabinet run using a side panel to enclose the refrigerator.

⚠ WARNING



Explosion Hazard

Keep flammable materials and vapors, such as gasoline, away from refrigerator.

Failure to do so can result in death, explosion, or fire.

IMPORTANT:

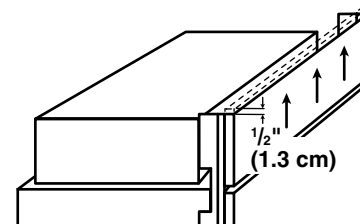
- Observe all governing codes and ordinances.
- Do not install the refrigerator near an oven, radiator, or other heat source, nor in a location where the temperature will fall below 55°F (13°C).
- Floor must support the refrigerator weight, more than 600 lbs. (272 kg), door panels and contents of the refrigerator.
- Ceiling height must allow for side or front tipping radius. See "Tipping Radius."
- Location should permit doors to open fully. See "Door Swing Dimensions."
- Location must permit top grille removal. See "Opening Dimensions."

Opening Dimensions

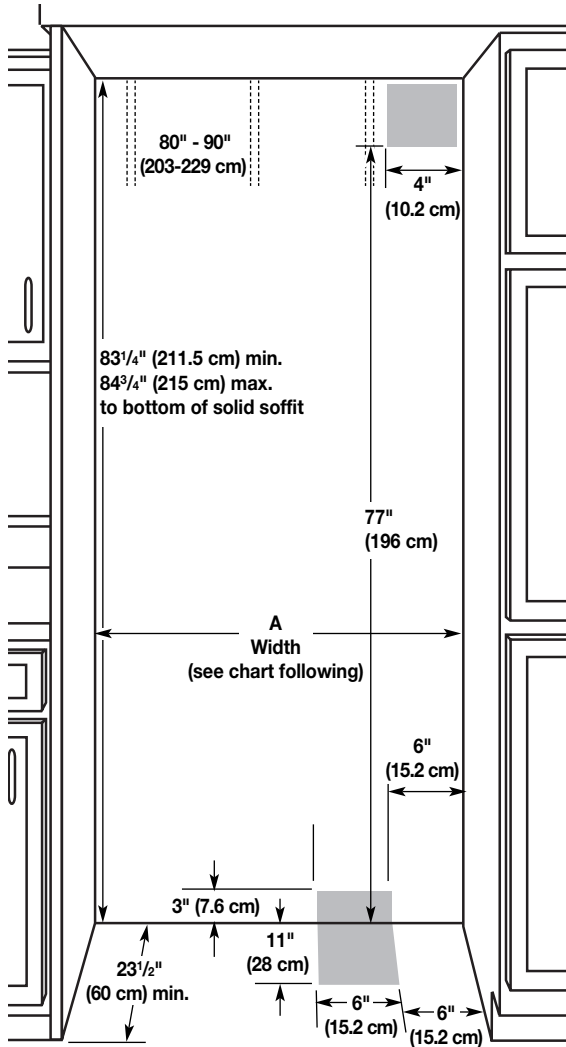
- The solid soffit must be within 1 in. (2.5 cm) maximum above the refrigerator. If the solid soffit is higher than 1 in. (2.5 cm) or one is not available, then the refrigerator must be braced to prevent tipping during use.

If the anti-tip boards are needed, they must be attached to the rear wall studs 80 in. to 90 in. (203 - 229 cm) above the floor. See "Install Anti-Tip Boards" for more information.

NOTE: A clearance of $\frac{1}{2}$ in. (1.3 cm) must be maintained above the top grille in order for the top grille to be removed.



- A grounded 3 prong electrical outlet should be placed within 4 in. (10.2 cm) of the right side cabinets or end panel. See “Electrical Requirements” for additional information.
- The water shutoff should be located in the base cabinet on either side of the refrigerator or some other easily accessible area. If the water shutoff valve is not in the cabinets, the plumbing for the water line can come through the floor or the back wall. See “Water Supply Requirements” for more information.



Model	Width A (as shown above)
42 in. (106 cm)	41½ in. (105.4 cm)
48 in. (122 cm)	47½ in. (120.7 cm)

Electrical Requirements

⚠ WARNING



Electrical Shock Hazard

Plug into a grounded 3 prong outlet.

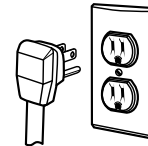
Do not remove ground prong.

Do not use an adapter.

Do not use an extension cord.

Failure to follow these instructions can result in death, fire, or electrical shock.

Before you move your refrigerator into its final location, it is important to make sure you have the proper electrical connection:



Recommended grounding method

A 115 Volt, 60 Hz., AC only 15 or 20 ampere fused, grounded electrical supply is required. It is recommended that a separate circuit serving only your refrigerator be provided. Use an outlet that cannot be turned off by a switch. Do not use an extension cord.

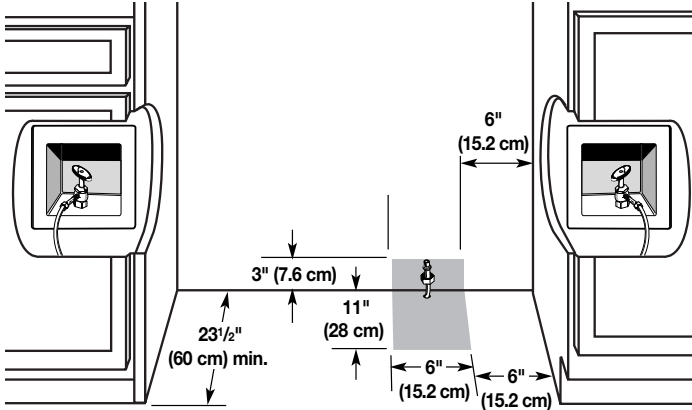
IMPORTANT: If this product is connected to a GFCI (Ground Fault Circuit Interrupter) protected outlet, nuisance tripping of the power supply may occur, resulting in loss of cooling. Food quality and flavor may be affected. If nuisance tripping has occurred, and if the condition of the food appears poor, dispose of it.

NOTE: Before performing any type of installation, cleaning, or removing a light bulb, remove the top grille and turn the master power switch to OFF or disconnect power at the circuit breaker box.

When you are finished, turn ON the master power switch or reconnect power at the circuit breaker box. Then reset the control to the desired setting.

Water Supply Requirements

- All installations must meet local plumbing code requirements.
- The water shutoff should be located in the base cabinet on either side of the refrigerator or some other easily accessible area. The right-hand side is recommended. The access hole through the right-hand side cabinet must be within $\frac{1}{2}$ in. (12.7 mm) of the rear wall.



- If the water shutoff valve is not in the cabinets, the plumbing for the water line can come through the floor or the back wall. A $\frac{1}{2}$ in. (12.7 mm) hole for plumbing should be drilled 6 in. (15.2 cm) to 12 in. (30.4 cm) from the right-hand side cabinet or panel. On the floor, the hole should be no more than 11 in. (28 cm) away from the back wall. On the wall, the hole should be no more than 3 in. (7.6 cm) up from the floor. See "Connect Water Supply."

If this recommended water line location is used, no additional plumbing must be purchased.

- If additional tubing is needed, use copper tubing and check for leaks. Install the copper tubing only in areas where the household temperatures will remain above freezing.
- Do not use a piercing-type or $\frac{3}{16}$ in. (4.76 mm) saddle valve which reduces water flow and clogs more easily.

NOTE: Your refrigerator dealer has a kit available with a $\frac{1}{4}$ in. (6.35 mm) saddle-type shutoff valve, a union, and copper tubing. Before purchasing, make sure a saddle-type valve complies with your local plumbing codes.

Cold water supply

Connect the ice maker to a cold water line with water pressure between 15 and 100 psi (103 - 690 kPa). If you have questions about your water pressure, call your utility company.

INSTALLATION INSTRUCTIONS

Unpack Refrigerator

⚠ WARNING



Tip Over Hazard

Refrigerator is top heavy and tips easily when not completely installed.

Keep doors taped closed until refrigerator is completely installed.

Use two or more people to move and install refrigerator.

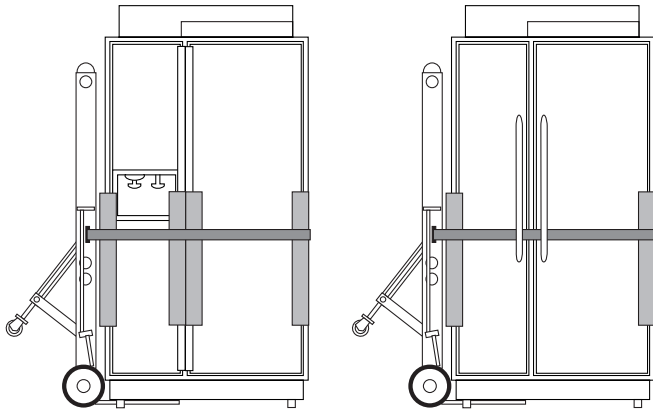
Failure to do so can result in death or serious injury.

IMPORTANT:

- Do not remove the protective film until the refrigerator is in its operating position.
 - All 4 leveling legs must contact the floor to support and stabilize the full weight of the refrigerator.
 - Keep the cardboard shipping piece or plywood under the refrigerator until it is installed in the operating position.
1. Remove and save the literature package and parts bag taped to the refrigerator door. Remove the 4 brackets (2 on each side) that attach the shipping base to the refrigerator bottom.
NOTE: Do not remove tape and door bracing until the refrigerator is in its final position.

- Place an appliance dolly under the freezer side of the refrigerator. Be sure to protect the side trims and handles. Place the corner posts from the packing materials over the trims and handles as appropriate. Carefully tighten the strap.

NOTE: Pass the dolly strap under the handles for the Professional and Designer Series.



- Place pieces of the shipping carton on the floor when rolling the dolly and refrigerator into the house. Move the refrigerator close to the built-in opening.

Reduce Tipping Radius (if required)

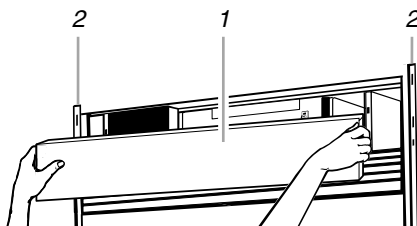
Before bringing the refrigerator into the home, be sure there is adequate ceiling height to stand the refrigerator upright. See "Tipping Radius" in the "Installation Requirements and Design Specifications" section for more information.

If you do not have adequate ceiling height to stand the refrigerator upright, the tipping radius can be reduced by removing the top grille and side trims (see the following chart).

Model	Reduced Tipping Radius
42 in. (106 cm)	88½ in. (224.8 cm)
48 in. (122 cm)	89¼ in. (226.7 cm)

Custom Panel Series

- Grasp both ends of the top grille.
- Push the top grille straight up, then pull straight out. Lay the grille on a soft surface.

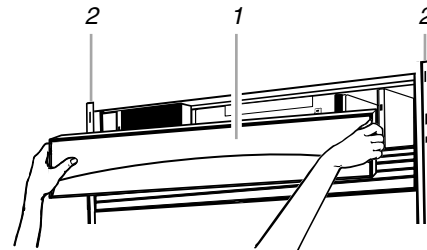


1. Top grille
2. Cabinet side trim

- Remove the 6 screws attaching each cabinet side trim to the refrigerator and remove the side trims.
- Stand the refrigerator up. First, place the left bottom edge of the refrigerator on the floor, stand the refrigerator upright and then lower the right-hand side of the refrigerator to the floor.
- Reassemble the trim and top grille after the dolly has been removed from the refrigerator.

Curved Handle and Professional Handle Series

- Grasp both ends of the top grille. Push the top grille straight up, then pull straight out. Lay the top grille on a soft surface.



1. Top grille
2. Cabinet side trim

- Remove the 6 screws attaching each cabinet side trim to the refrigerator and remove the side trims.
- Stand the refrigerator up by first placing the left bottom edge of the refrigerator on the floor, standing the refrigerator upright and then lowering the right-hand side of the refrigerator down to the floor.
- Reassemble the trim and top grille after the dolly has been removed from the refrigerator.

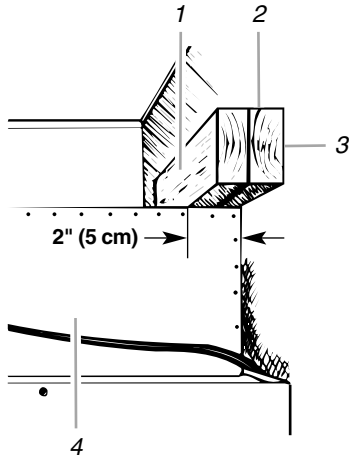
Install Anti-Tip Boards

IMPORTANT:

- The solid soffit must be within 1 in. (2.5 cm) maximum above the refrigerator. If the solid soffit is higher than 1 in. (2.5 cm) or one is not available, prevent the refrigerator from tipping during use as shown.
- It is recommended that board(s) be installed before the refrigerator is installed.
- Board(s) must be long enough to fully cover the width of the compressor cover.
- Locate the board(s) so the bottom surface(s) of the board(s) is(are) 84 in. (213 cm) from the floor.
- During installation, raise the refrigerator up so there is ¼ in. (6.35 mm) maximum between the top of the refrigerator and the bottom of the anti-tip board(s). Do not crush the condenser cover when raising the rear leveling legs.

To install anti-tip boards

1. Mark the stud locations on rear wall 80 in. to 90 in. (203 - 229 cm) above floor.
2. Securely attach one or two 2 in. x 4 in. x 32 in. (5 cm x 10 cm x 81 cm) wood boards to wall studs behind refrigerator. Use 6 - #8 x 3 in. (7.6 mm) (or longer) wood screws. The wood screws must be screwed into the studs at least 1½ in. (3.8 cm). The board(s) must overlap the compressor cover.



1. Center board ¼ in. (6.35 mm) max. above refrigerator
2. Two 2 in. x 4 in. x 32 in. (5 cm x 10 cm x 81 cm) boards
3. Attach to studs with 6 - #8 x 3 in. (7.6 cm) screws
4. Compressor cover

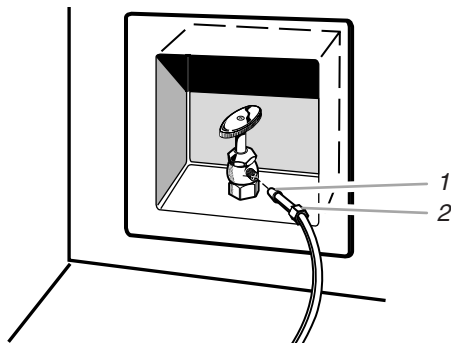
Connect Water Supply

1. Remove the shipping tape from the gray, coiled water tubing on the rear of the refrigerator.
2. Before attaching copper tubing to the refrigerator, flush at least 2 qt. (1.9 L) of water through the copper tubing and into a bucket to get rid of any particles in the water line.
3. Check for leaks around the saddle valve. Do not overtighten the clamp or sleeve. This will crush the copper tubing.
4. Make connection to the refrigerator.

Style 1 - Connecting to a Water Valve:

NOTE: The water shutoff valve should be located in the base cabinet on either side of the refrigerator. The right-hand side is recommended. The access hole through the right cabinet must be within ½ in. (12.7 mm) of rear wall.

Push the bulb end of the tubing into the water valve as far as it will go. Slide the nut forward and finger tighten. Then tighten it with a wrench two more turns. Do not overtighten.

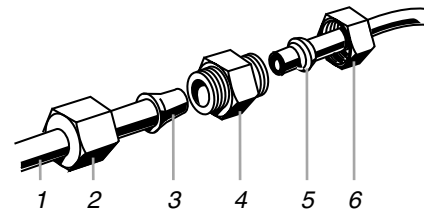


1. Bulb
2. Nut (provided)

Style 2 - Connecting to a Water Line

Additional Parts Needed: Coupling, ferrule and nut.

Slide the purchased nut then the purchased ferrule onto the tubing. Push the tubing into the purchased coupling as far as it will go. Slide the nut and ferrule forward. Tighten the nut by hand. Then tighten it with a wrench two more turns. Do not overtighten.



1. Line to refrigerator
2. Nut (provided)
3. Bulb
4. Coupling (purchased)
5. Ferrule (purchased)
6. Nut (purchased)

5. Turn shutoff valve ON.
6. Check for leaks. Tighten any nuts or connections (including connections at the valve) that leak.

Plug in Refrigerator

⚠ WARNING



Electrical Shock Hazard

Plug into a grounded 3 prong outlet.

Do not remove ground prong.

Do not use an adapter.

Do not use an extension cord.

Failure to follow these instructions can result in death, fire, or electrical shock.

1. Set control switch at top of cabinet to the OFF position.
2. Plug into a grounded 3 prong outlet.

Move Refrigerator to Final Position

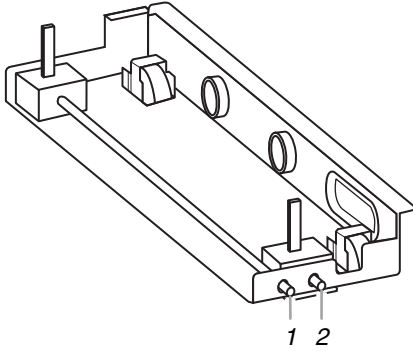
IMPORTANT: To prevent floor damage, make sure levelers are raised (not touching floor) and refrigerator is on rollers before moving.

1. Place top of cardboard carton or plywood under refrigerator. Remove dolly.
2. Do not remove protective film.
3. Move the refrigerator straight back and evenly into the opening. Check to make sure that water tubing is not kinked and the power supply cord is on top of the refrigerator next to the cover.

Lower Leveling Legs

NOTE: All 4 leveling legs must contact the floor to support and stabilize the full weight of refrigerator. Rollers are for moving refrigerator and not for permanent support.

Use socket wrench to turn leg levelers on both sides of refrigerator to the right (clockwise) until refrigerator weight is supported by leveling legs. The rollers should be off the floor. To avoid cabinet damage, do not apply more than 50 in. - lbs. (58 cm - kg) of torque to the leveling legs.



1. Rear leveling legs
2. Front leveling legs

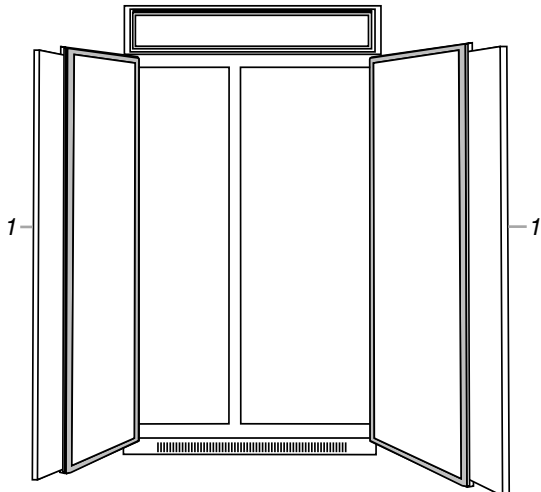
Install Custom Panels

IMPORTANT: Thermador is not responsible for the removal or addition of molding or decorative panels that would prevent the refrigerator from being serviced.

NOTE: To install full-overlay custom panels, refer to the installation instructions included with the Trimless Trim Kit. See "Design Specifications" for more information.

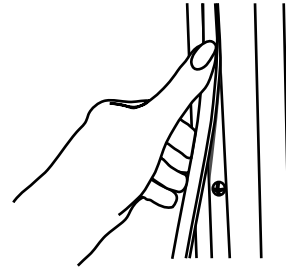
Door Panels

1. Remove all tape and door bracing from the refrigerator and freezer doors.
2. Remove the screws that attach the handles to the door frame.
3. Slide the decorative door panels into the door frames.
4. If needed, route the door panels or install a filler panel between the doors and the decorative panels. See the "Custom Panels" section.



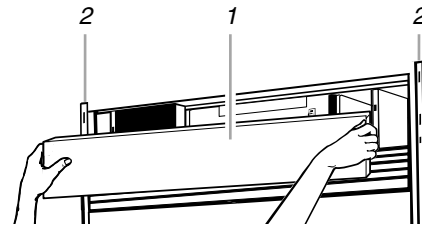
1. Panels

5. Replace the door handles. Check to be sure that the top of both door handles are aligned.
6. Remove the protective skin from the screw covers. Snap the screw covers into the handle trim section.



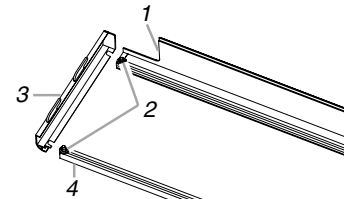
Top Grille Panel

1. Grasp both ends of the top grille.
2. Push straight up, then pull straight out. Place the top grille panel side down on a soft working surface.



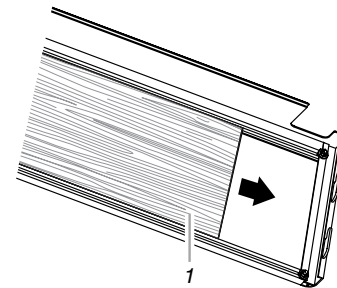
1. Top grille
2. Cabinet side trim

3. Remove one end cap by loosening the nuts and sliding off the end cap.



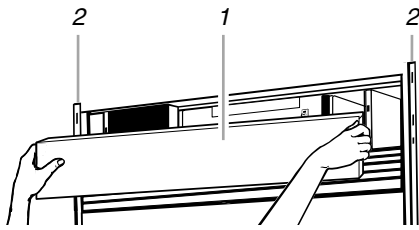
1. Bottom rail 3. End cap
2. Nuts 4. Top rail

4. Slide the decorative panel into the top grille channel and reattach the end caps.



1. Custom panel

- Replace the top grille in the cabinet side trims and pull the panel down slightly to lock it into place.

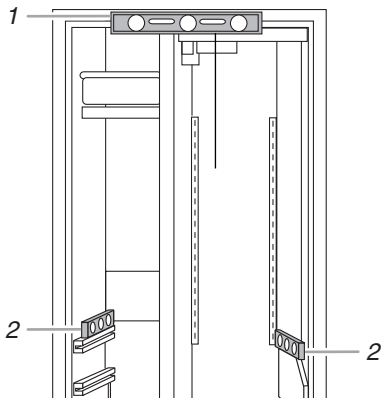


- Top grille
- Cabinet side trim

Level Refrigerator

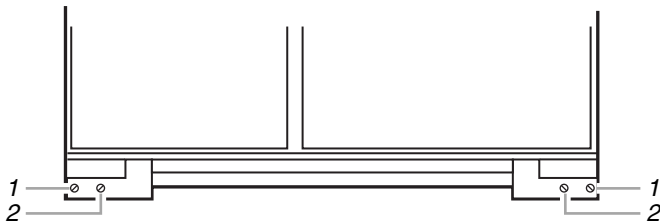
NOTE: Custom or full-overlay door panels must be installed before leveling the refrigerator.

- Open the doors and place the level on top of the refrigerator frame as shown. Check to see whether the refrigerator is level from left to right.



- Level to check left to right leveling
- Level to check front to back leveling

- Use the leveling bolts to adjust the leveling legs until the refrigerator is level from left to right.



- Rear leveling bolt
- Front level bolt

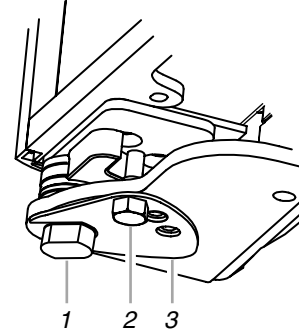
- Place the level(s) on shelf or shelves as shown. Check to see whether the refrigerator is level from front to back.
- Use the leveling bolts to adjust the leveling legs until the refrigerator is level from front to back.
- Be sure that all 4 leveling legs contact the floor and support the full weight of the refrigerator.
- Make final check to ensure the refrigerator is level.

Adjust Doors

Door Height Adjustment

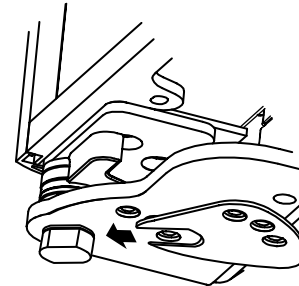
Use the following steps to adjust the door height, up or down, after the doors have been leveled.

- Open the freezer or refrigerator door. Remove the door stop screw the bottom side of the bottom hinge.



- Bushing
- Door stop screw
- Locking plate

- Remove the locking plate as shown.



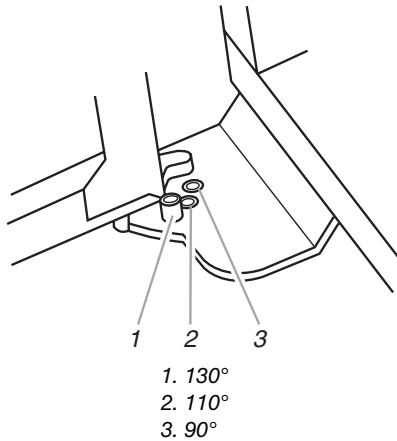
- Turn the bushing located underneath the bottom of the hinge using the open-end wrench. Turning the bushing to the left (counterclockwise) will raise the door. Turning the bushing right (clockwise) will lower the door.
- After adjusting, check the doors to make sure they are even at the top and bottom. If the doors are not even, continue to turn the bushing to adjust the door height.
- Replace the locking plate.
- Turn the bushing slightly to align the hinge and locking plate screw holes.
- Replace the door stop screw or screws and tighten.
- Recheck to make sure the doors are aligned and even.

Door Swing Adjustment

- Check that the refrigerator door can open freely. If the door opens too wide or you are installing full-overlay custom panels using a Trimless Trim Kit, you should adjust the door swing.
- Remove the door stop screw or screws (depending on your model) from the bottom hinge. See "Door Height Adjustment" earlier in this section.
- Hold the door open to a position that is less than 90°.

- Replace the door stop screw or screws in the bottom hinge and tighten.

NOTE: If you are using full-overlay custom panels with the Trimless Trim Kit, the door stop should be replaced in either the 90° or 110° position. See “Handle and Door Clearances for Custom Panel Series.”

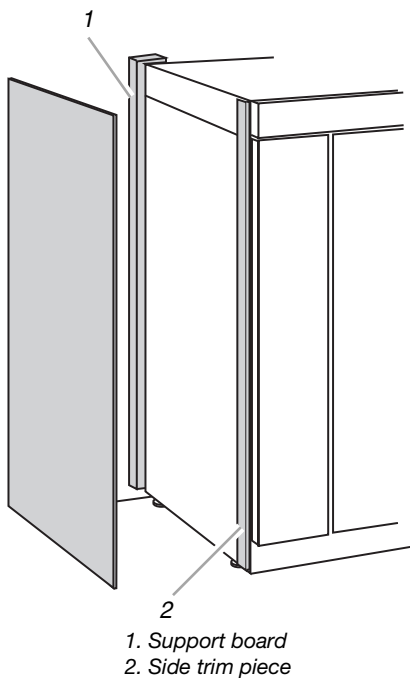


Install Side Panel

If the built-in area depth is 25 in. (63.5 cm) or more, the side panels can be installed inside the side trim or attached to the outside of the side trim.

IMPORTANT: Thermador is not responsible for the removal or addition of molding or decorative panels that would prevent the refrigerator from being serviced.

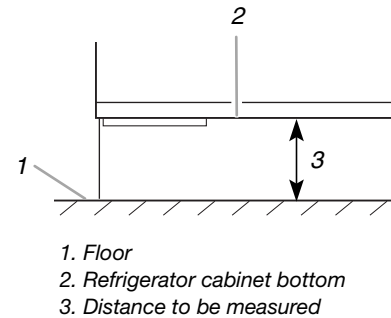
- For the inside side trim piece, slide the front edge of the routed side panel into the trim piece.
- Nail the rear edge of the panel to the support board.



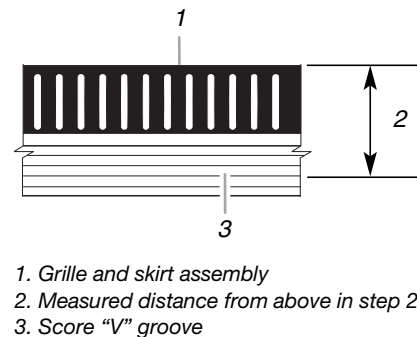
Install Base Grille

There are 2 pieces to the base grille to allow for a custom fit: the base grille itself and the skirt. The skirt can be added to the base grille in order to extend it all the way to the floor.

- Open the refrigerator door and measure the distance from the bottom of the refrigerator cabinet to the floor.



- Measure this same distance from the top of the base grille to the closest “V” groove on the skirt. Use a knife to score down the “V” groove and break the skirt at the score line.



- Slide the skirt onto the base grille.
- Then attach the base grille to the cabinet with the 2 screws provided.

Complete Installation

- Turn the water supply line valve to the “Open” position.
- Turn the refrigerator switch to the ON position. Wait a few minutes. Check the water line connections for leaks.
- Remove all boxes, parts packages and packing materials from the interior of the refrigerator. See the “Cleaning” section in the Use and Care Guide for instructions. Remove the protective film from the doors or door frame, depending on your model.
- Install the shelves and bins in the refrigerator and freezer compartments.
- The controls are preset at the factory to the midpoint setting. Check to be sure that the compressor is operating properly and that all the lights are working.
- Flush the water system before use. See the “Water System Preparation” section in the Use and Care Guide.
- If construction will continue after the refrigerator has been installed, set the controls to OFF.

To get the most efficient use from your new built-in refrigerator, read your Use and Care Guide. Keep Installation Instructions and Use and Care Guide near the built-in refrigerator for easy reference.

SEGURIDAD DEL REFRIGERADOR

Su seguridad y la seguridad de los demás es muy importante.

Hemos incluido muchos mensajes importantes de seguridad en este manual y en su electrodoméstico. Lea y obedezca siempre todos los mensajes de seguridad.



Este es el símbolo de advertencia de seguridad.

Este símbolo le llama la atención sobre peligros potenciales que pueden ocasionar la muerte o una lesión a usted y a los demás.

Todos los mensajes de seguridad irán a continuación del símbolo de advertencia de seguridad y de la palabra "PELIGRO" o "ADVERTENCIA". Estas palabras significan:

! PELIGRO

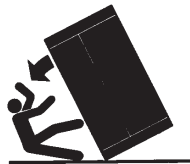
Si no sigue las instrucciones de inmediato, usted puede morir o sufrir una lesión grave.

! ADVERTENCIA

Si no sigue las instrucciones, usted puede morir o sufrir una lesión grave.

Todos los mensajes de seguridad le dirán el peligro potencial, le dirán cómo reducir las posibilidades de sufrir una lesión y lo que puede suceder si no se siguen las instrucciones.

! ADVERTENCIA



Peligro de Vuelco

El refrigerador puede volcarse cuando está siendo instalado debido a que la parte superior es pesada.

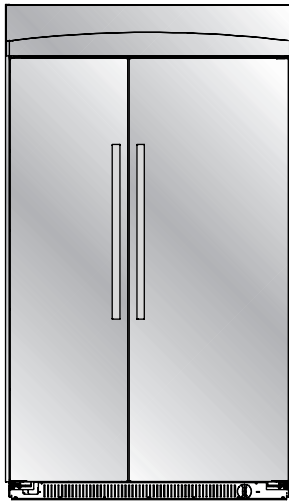
Mantenga las puertas cerradas con cinta hasta que el refrigerador esté completamente instalado.

Use dos o más personas para mover e instalar el refrigerador.

No seguir estas instrucciones puede ocasionar la muerte o herida seria.

ESPECIFICACIONES DE DISEÑO

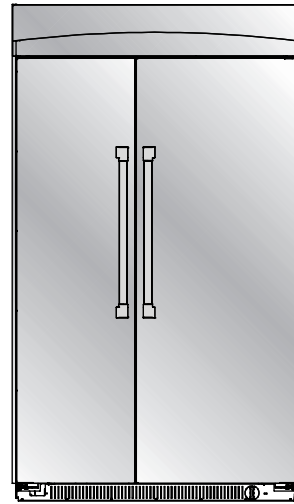
Modelos - Refrigeradores de lado a lado sin despachador



Serie de agarra curva

Presenta un estilo de acero inoxidable que complementa las agarra de puerta curvas.

KBUI4250A KBUI4850A

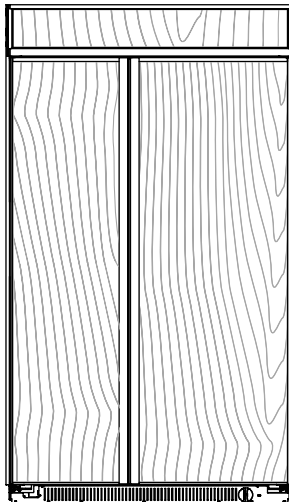


Serie de agarra profesional

Presenta un estilo de acero inoxidable que complementa las agarra de puerta profesionales.

KBUI4260A KBUI4860A

Serie de paneles a la medida



Presenta un adorno de estilo tradicional instalado de fábrica que ofrece una apariencia "enmarcada". Esta serie requiere la instalación de paneles a la medida que no están incluidos.

KBUI4270A KBUI4870A

TRIMKITBM - Juego de adorno sin borde

En la serie de paneles a la medida, usted puede crear una apariencia "sin marco" usando paneles a la medida totalmente recubiertos. Necesitará pedir un juego de adorno sin borde para TRIMKITSXS de dos puertas. Este juego de accesorio contiene partes para reemplazar el adorno de fábrica.

Se requieren los paneles a la medida totalmente recubiertos y las agarra, los cuales no están incluidos en el juego de accesorios. Cree los paneles de acuerdo a las especificaciones en la sección "Paneles a la medida totalmente recubiertos". Puede pedir un juego de agarra curvas Thermador o seleccionar las agarra en otro lugar. Para los espacios de la puerta, vea "Espacios para la agarra y la puerta para la serie de paneles a la medida".

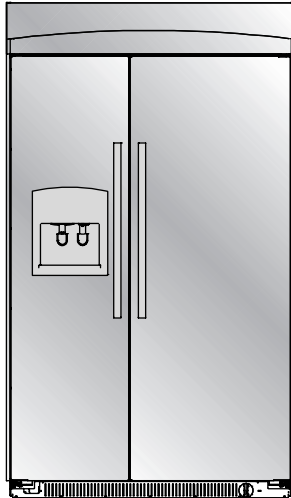
CURVEDHAND - Juego de agarra curva

Para usar con los paneles a la medida totalmente recubiertos, puede pedir el juego de agarra curva Thermador. El juego contiene 2 agarra, tornillos e instrucciones de instalación.

EXTHANDSXS - Juego de agarra extensible para refrigeradores de dos puertas

Este juego puede ser necesario si usted instala un panel a la medida en relieve. Vea "Espacios para la agarra y la puerta para la serie de paneles a la medida".

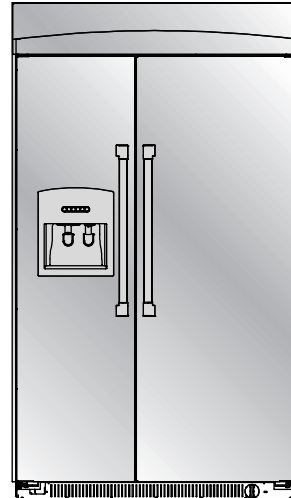
Modelos - Refrigeradores de lado a lado con despachador



Serie de agarra curva

Presenta un estilo de acero inoxidable que complementa las agarra de puerta curvas.

KBUDT4250A KBUDT4850A

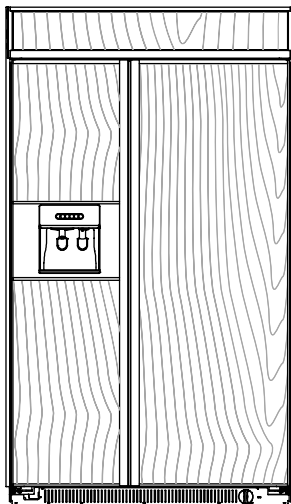


Serie de agarra de profesionales

Presenta un estilo de acero inoxidable que complementa las agarra de puerta profesionales.

KBUDT4260A KBUDT4860A

Serie de paneles a la medida



Presenta un adorno de estilo tradicional instalado de fábrica que ofrece una apariencia "enmarcada". Esta serie requiere la instalación de paneles a la medida que no están incluidos.

KBUDT4270A KBUDT4870A

TRIMKITBM - Juego de adorno sin borde

En la serie de paneles a la medida, usted puede crear una apariencia "sin marco" usando paneles a la medida totalmente recubiertos. Necesitará pedir un juego de adorno sin borde para TRIMKITSXS de dos puertas. Este juego de accesorio contiene partes para reemplazar el adorno de fábrica.

Se requieren los paneles a la medida totalmente recubiertos y las agarra, los cuales no están incluidos en el juego de accesorios. Cree los paneles de acuerdo a las especificaciones en la sección "Paneles a la medida totalmente recubiertos". Puede pedir un juego de agarra de curvas Thermador o seleccionar las agarra en otro lugar. Para los espacios de la puerta, vea "Espacios para la agarra y la puerta para la serie de paneles a la medida".

CURVEDHAND - Juego de agarra curva

Para usar con los paneles completos a la medida recubiertos, puede pedir el juego de agarra de curvas Thermador. El juego contiene 2 agarra, tornillos e instrucciones de instalación.

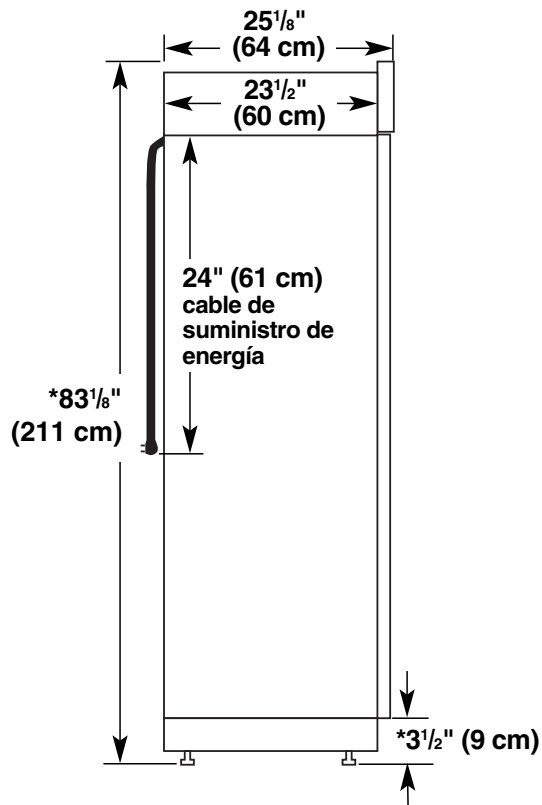
EXHANDSXS - Juego de agarra extensibles para refrigeradores de dos puertas

Este juego puede ser necesario si usted instala un panel a la medida en relieve. Vea "Espacios para la agarra y la puerta para la serie de paneles a la medida".

Medidas del producto

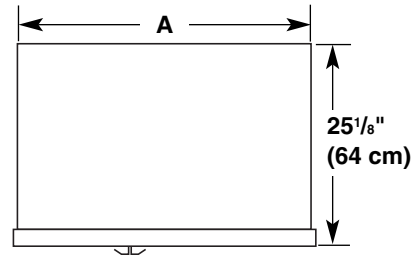
Vista lateral

- La profundidad del frente de la rejilla superior a la parte posterior del gabinete del refrigerador es de 25 1/8 pulg. (64 cm).
- El cable de suministro de energía es de 24 pulg. (61 cm) de largo.
- La línea de agua ajustada a la parte posterior del refrigerador es de 5 pies (1,5 m) de largo.
- Las medidas de altura indicadas consideran las patas niveladoras extendidas 1/8 pulg. (3 mm) por debajo de los rodillos.



*Si las patas niveladoras están totalmente extendidas 1 1/4 pulg. (32 mm) por debajo de los rodillos, agregue 1 1/8 pulg. (29 mm) a las medidas de altura.

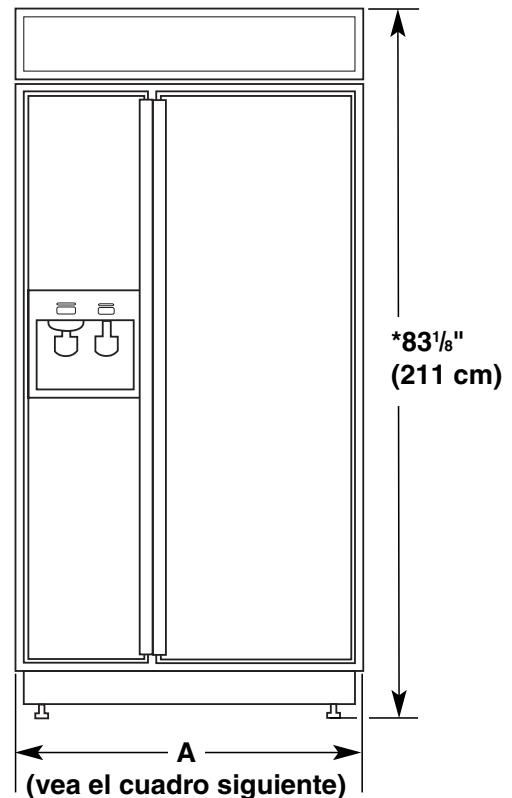
Vista superior



Modelo	Anchura A
42 pulg. (106 cm)	41 pulg. (104 cm)
48 pulg. (122 cm)	47 pulg. (119 cm)

Vista frontal

- Las medidas de anchura indicadas consideran la distancia de adorno externo a adorno externo.
- Las medidas de altura indicadas consideran las patas niveladoras extendidas 1/8 pulg. (3 mm) por debajo de los rodillos.



Modelo	Anchura A (de adorno externo a adorno externo)
42 pulg. (106 cm)	42 1/4 pulg. (107 cm)
48 pulg. (122 cm)	48 1/4 pulg. (123 cm)

*Si las patas niveladoras están totalmente extendidas 1 1/4 pulg. (32 mm) por debajo de los rodillos, agregue 1 1/8 pulg. (29 mm) a las medidas de altura.

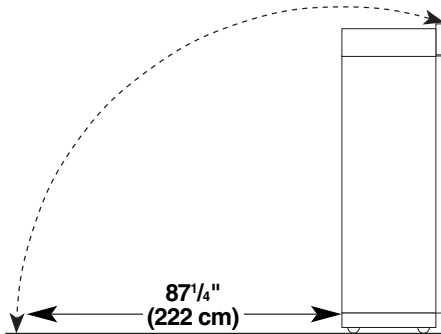
Arco de vuelco

Asegúrese que dispone de suficiente altura al techo para que el refrigerador esté completamente derecho cuando lo mueva a su ubicación final.

- Si se utiliza una plataforma rodante, se debe agregar la altura de sus ruedas al arco de vuelco.
- Si desea, puede reducir el arco de vuelco. Vea la sección "Cómo reducir el arco de vuelco".

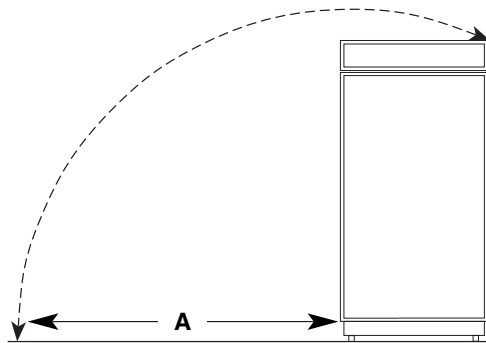
Arco de vuelco hacia adelante

El arco de vuelco hacia adelante es igual para todos los modelos.



Arco de vuelco lateral

El arco de vuelco lateral varía dependiendo de la anchura del modelo. Use el cuadro siguiente para determinar el arco de vuelco lateral.



Modelo	Arco de vuelco A
42 pulg. (106 cm)	93 pulg. (236,2 cm)
48 pulg. (122 cm)	96 pulg. (243,8 cm)

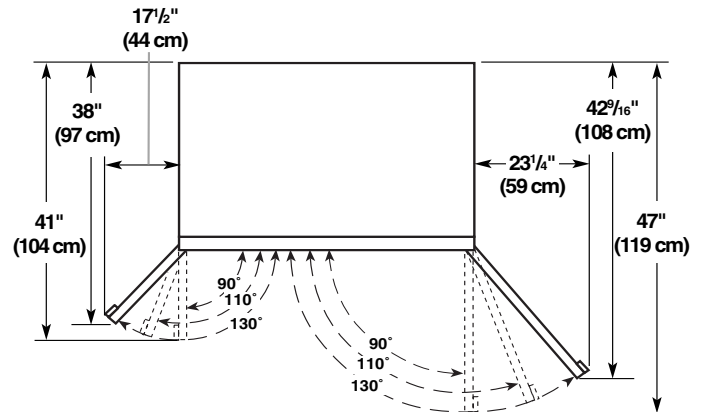
Medidas de oscilación de las puertas

La ubicación debe permitir que las puertas se abran a un mínimo de 90°. Deje un espacio mínimo de 4 1/2 pulg. (11,4 cm) entre el lado del refrigerador y una pared de la esquina.

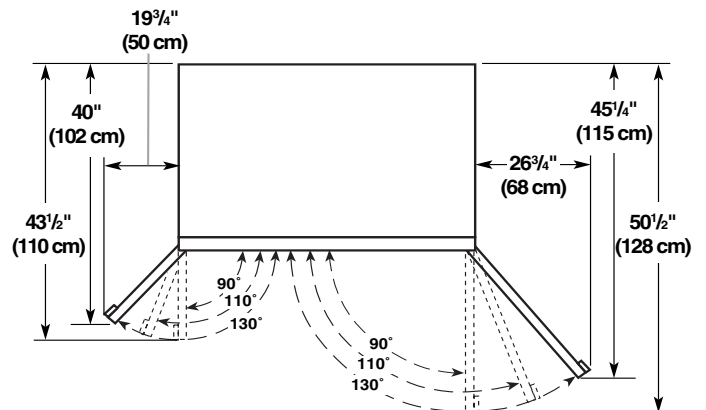
NOTA: Puede ser que se requieran más espacios libres si está usando paneles recubiertos o agarraderas a la medida.

Para ajustar la oscilación de las puertas, vea la sección "Cómo ajustar las puertas".

Modelos de 42 pulg. (106 cm)

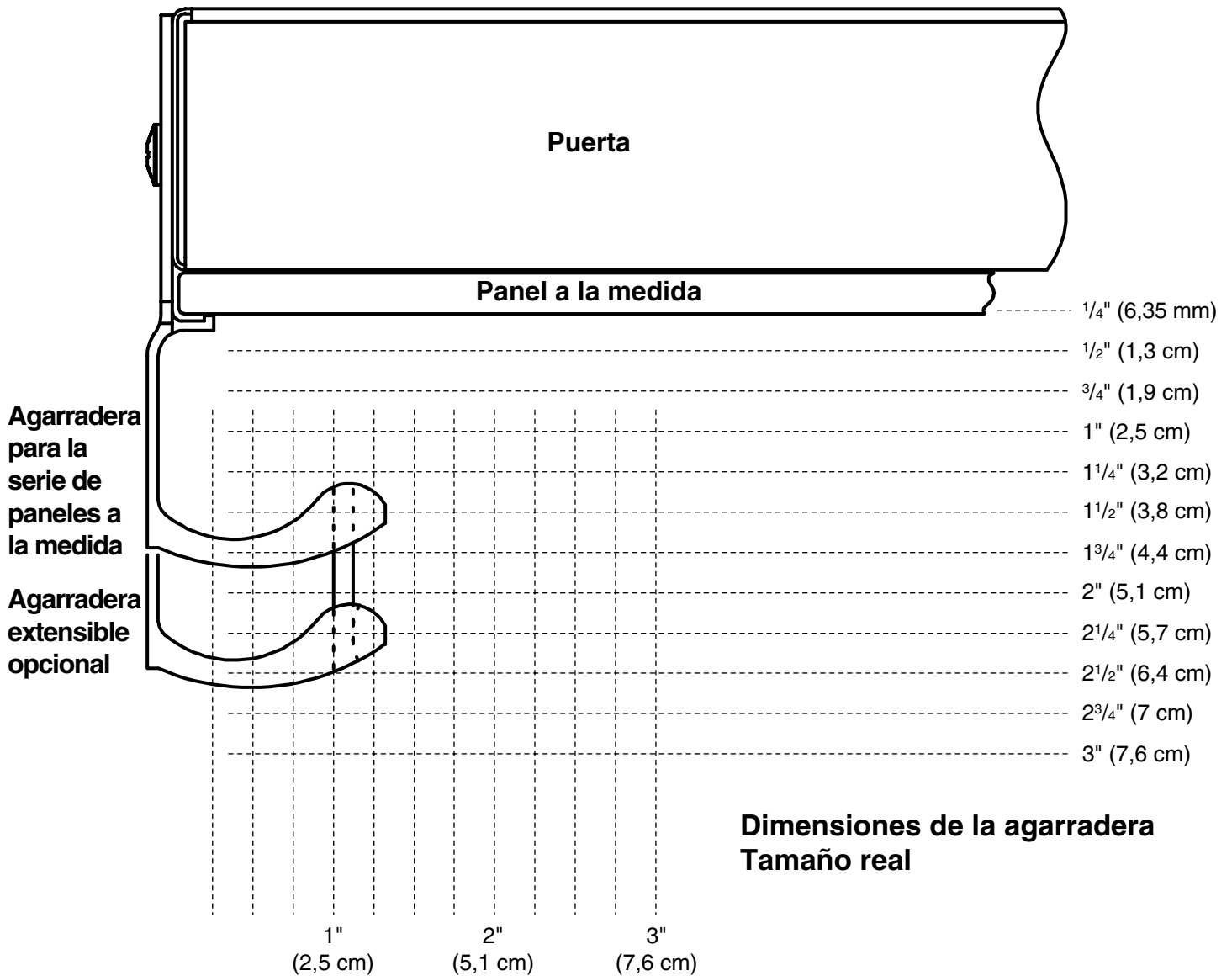


Modelos de 48 pulg. (122 cm)



Espacios para la agarradera y la puerta para la serie de paneles a la medida

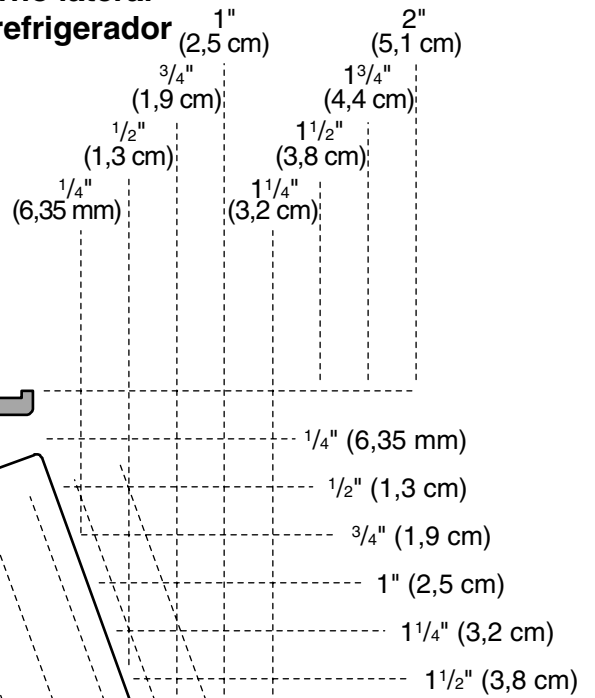
Si está instalando paneles a la medida, los paneles deben dejar ciertos espacios para las agarraderas y para la abertura de la puerta. Puede ser necesario un juego de agarradera extendida si usted instala un panel a la medida en relieve. Vea la sección "Modelos" bajo "Especificaciones de diseño".



Serie de paneles a la medida
Espacios para los paneles a
la medida totalmente recubiertos

Oscilación de la puerta 110°
Tamaño real

Adorno lateral
del refrigerador



Bisagra

Puerta

Panel de soporte

Panel a la medida

Panel espaciador

NOTA: Para usar los paneles completos recubiertos a la medida, deberá pedir el Juego de adorno sin borde. Además, deberá pedir un juego de agarraderas curvas Thermador o seleccionar las agarraderas en otro lugar. Vea la sección "Modelos" de "Especificaciones de diseño" para obtener información adicional y el juego específico.

Paneles a la medida

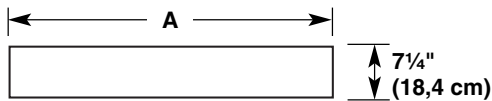
Si va a instalar paneles de madera a la medida, deberá hacerlos usted mismo o consultar un carpintero o fabricante de gabinetes calificado. Para obtener información acerca de las especificaciones de los paneles, vea los gráficos dimensionales.

IMPORTANTE: Los paneles que pesan más de lo recomendado pueden dañar a su refrigerador.

NOTA: Las medidas que se muestran deberán tener una tolerancia de $(\pm) \frac{1}{16}$ pulg. (1,5 mm). Los paneles de más de $\frac{1}{4}$ pulg. (6 mm) de grosor deberán contornearse. Si los paneles tienen menos de $\frac{1}{4}$ pulg. (6 mm) de grosor, instale un panel de relleno entre las puertas y los paneles decorativos.

Panel de la rejilla superior

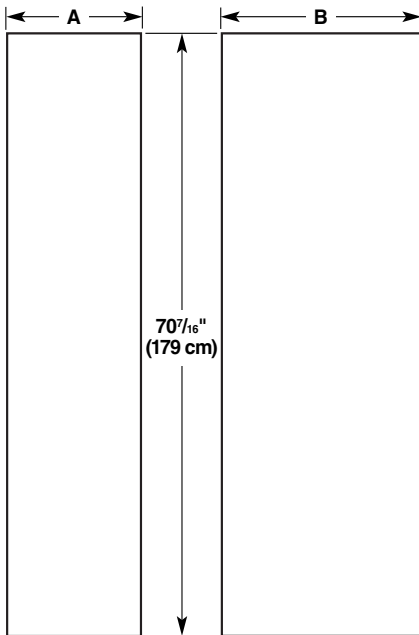
El panel superior **NO DEBERÁ PESAR** más de 10 lbs. (4,5 kg).



Modelo	A
42 pulg. (106 cm)	40½ pulg. (105 cm)
48 pulg. (122 cm)	46½ pulg. (120 cm)

Paneles de puerta para modelos sin despachador

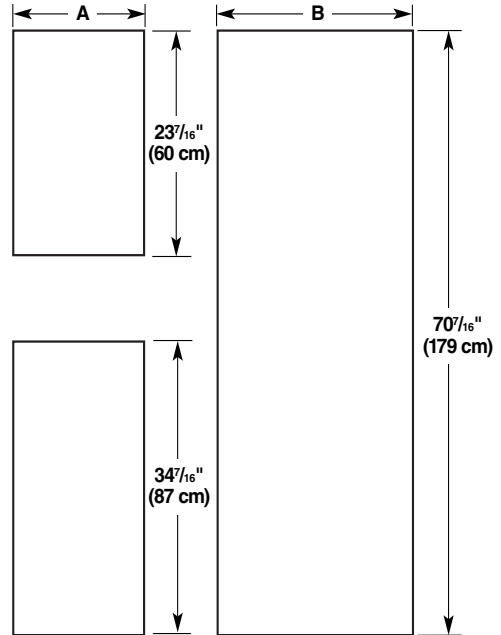
El panel del congelador **NO DEBERÁ PESAR** más de 30 lbs. (13,5 kg). El panel del refrigerador **NO DEBERÁ PESAR** más de 50 lbs. (23 kg).



Modelo	A	B
42 pulg. (106 cm)	16¾ pulg. (43 cm)	22¾ pulg. (58 cm)
48 pulg. (122 cm)	19¼ pulg. (49 cm)	26¼ pulg. (67 cm)

Paneles de puerta para modelos con despachador

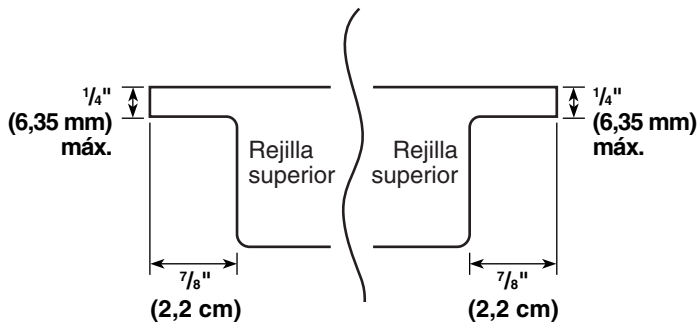
Los dos paneles del congelador juntos **NO DEBERÁN PESAR** más de 30 lbs. (13,5 kg). El panel del refrigerador **NO DEBERÁ PESAR** más de 50 lbs. (23 kg).



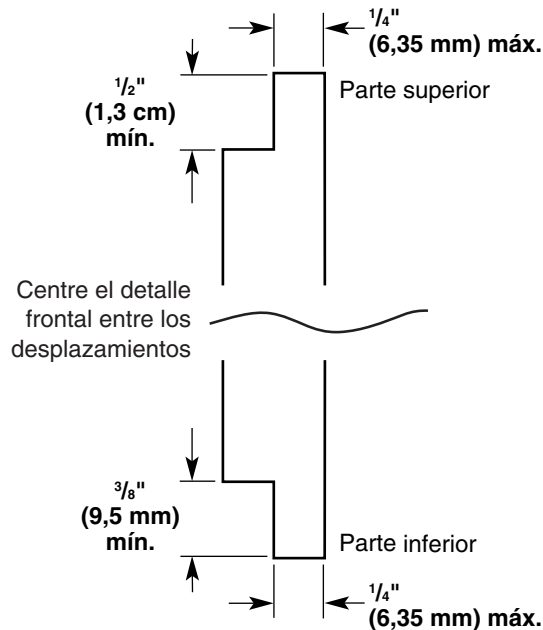
Modelo	A	B
42 pulg. (106 cm)	16¾ pulg. (43 cm)	22¾ pulg. (58 cm)
48 pulg. (122 cm)	19¼ pulg. (49 cm)	26¼ pulg. (67 cm)

Requisitos de contorneado del panel de la rejilla superior

Los bordes superiores e inferiores del panel superior deberán ser contorneados por el borde $\frac{1}{2}$ pulg. (1,3 cm) y $\frac{3}{8}$ pulg. (9,5 mm) respectivamente. Los dos extremos deberán ser contorneados por el borde a $\frac{7}{8}$ pulg. (2,2 cm) tal como se muestra.



NOTA: Cuando haga un panel con detalles frontales, los desplazamientos estarán escondidos y se deberán tomar en cuenta para poder centrar el detalle en la rejilla superior.

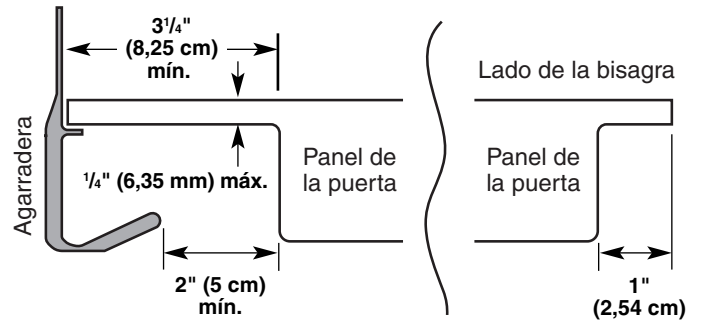


Requisitos de contorneado de los paneles de la puerta

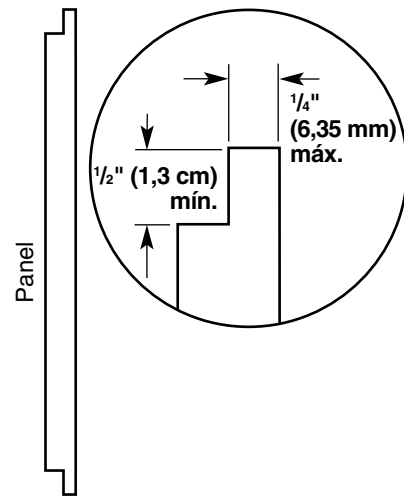
Si se usa el juego de agarraderas extendidas, no es necesario contornear del lado de la agarradera de los paneles. Vea la sección "Espacios para la agarradera y la puerta" para obtener más información y ordenar agarraderas extendidas.

Si se usa la manija normal, contornee toda el lado de la manija de los dos paneles $3\frac{1}{4}$ pulg. (8,25 cm) para dejar espacio para los dedos. Después contornee los otros lados 1 pulg. (2,54 cm).

Agarradera común – Vista superior



Panel de la puerta - Vista lateral

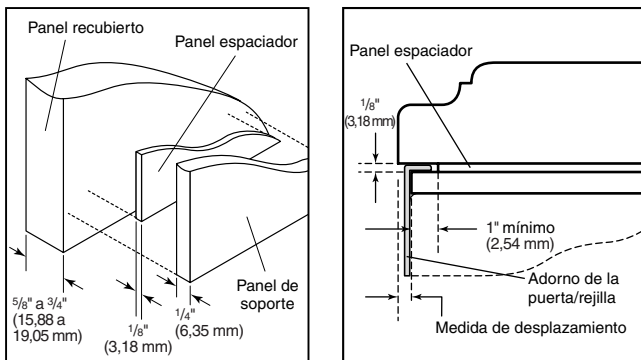


Paneles a la medida totalmente recubiertos

Los paneles a la medida recubiertos le permiten combinar el exterior de su refrigerador con toda la decoración de la cocina y usar las agarraderas a la medida para mayor flexibilidad en el diseño.

NOTA: Para usar los paneles a la medida totalmente recubiertos, se requiere un Juego de adorno sin marco para refrigeradores de dos puertas (TRIMKITSXS). Se requieren los paneles a la medida totalmente recubiertos y las agarraderas, los cuales no están incluidos en el juego de accesorios. Cree los paneles de acuerdo a estas especificaciones. Puede pedir un juego de agarraderas curvas Thermador (CURVEDHAND) o seleccionar las agarraderas en otro lugar. Vea la sección "Modelos" bajo "Especificaciones de diseño" para obtener información adicional.

Los paneles a la medida deben tener paneles de soporte para montarlos en el refrigerador. Lo más común es trabajar con tres paneles, como se muestra en el siguiente gráfico: un panel decorativo recubierto, un panel espaciador de $\frac{1}{8}$ pulg. (3,18 mm) o franjas espaciadoras de $\frac{1}{4}$ pulg. (6,35 mm).

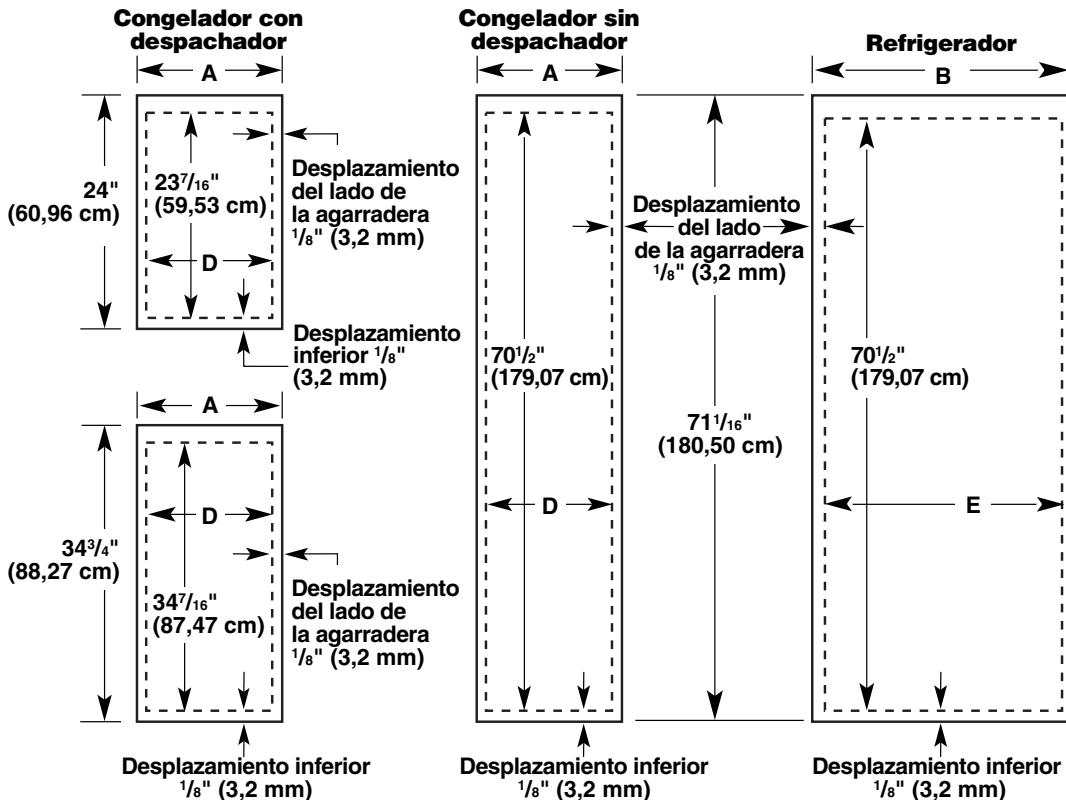
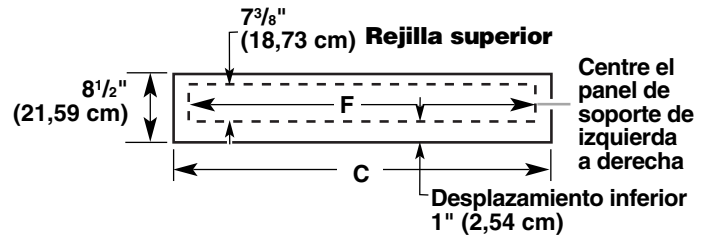


En algunos casos, el fabricante de gabinetes puede elegir trabajar con un panel trazado para las diferentes medidas. Siga estas instrucciones para las medidas del panel y la ubicación para asegurarse de que los paneles a la medida recubiertos encajarán adecuadamente.

IMPORTANTE:

- El peso total del panel recubierto de la puerta del refrigerador no puede ser mayor de 50 lb. (23 kg).
- El peso total del panel recubierto de la puerta del congelador no puede ser mayor de 30 lb. (13,5 kg).
- El peso total del panel recubierto de la rejilla superior no puede ser mayor de 10 lb. (4,5 kg).

Para minimizar el peso del panel, puede usar franjas espaciadoras de 2 pulg. (5,08 cm) alrededor del perímetro en lugar de paneles espaciadores de hoja plena macizos. Las franjas espaciadoras deben fijarse a una distancia de al menos 1 pulg. (2,54 cm) de la parte superior, inferior y extremos laterales del panel de soporte. Si usa franjas espaciadoras, se recomienda que use 2 franjas de 2 pulg. (5,08 cm) centradas horizontalmente para soporte adicional.



Paneles decorativos recubiertos			
Modelo	A	B	C
42 pulg. (106 cm)	17 $\frac{1}{8}$ pulg. (43,50 cm)	23 $\frac{1}{8}$ pulg. (58,74 cm)	41 $\frac{3}{8}$ pulg. (105,09 cm)
48 pulg. (122 cm)	19 $\frac{5}{8}$ pulg. (49,85 cm)	26 $\frac{5}{8}$ pulg. (67,63 cm)	47 $\frac{3}{8}$ pulg. (120,33 cm)

Paneles de soporte			
Modelo	D	E	F
42 pulg. (106 cm)	16 $\frac{15}{16}$ pulg. (43,50 cm)	22 $\frac{15}{16}$ pulg. (58,26 cm)	40 $\frac{1}{2}$ pulg. (102,87 cm)
48 pulg. (122 cm)	19 $\frac{7}{16}$ pulg. (49,37 cm)	26 $\frac{7}{16}$ pulg. (67,15 cm)	46 $\frac{1}{2}$ pulg. (118,11 cm)

Paneles laterales de la serie de agarradera curva y de agarradera profesional

Los paneles laterales a la medida pueden ser necesarios cuando no hay suficiente espacio disponible para tener gabinetes en los dos lados del refrigerador o cuando el refrigerador se coloca al final de una tira de gabinetes. Usted puede elegir una instalación de paneles empotrados, al ras o en relieve.

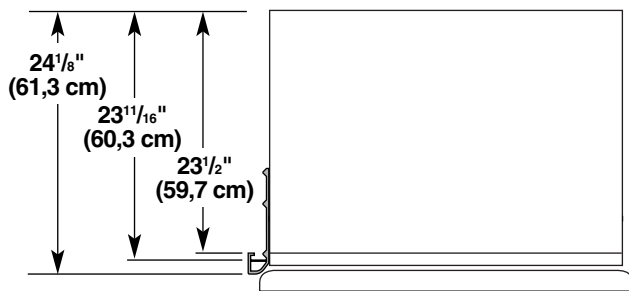
Medidas del refrigerador y del adorno lateral

El ancho y la altura del panel lateral están determinados por el tipo de instalación que usted planifique.

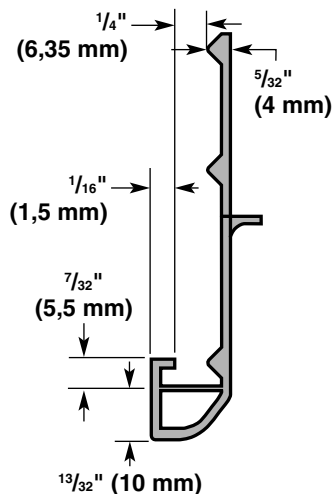
NOTAS:

- Las dimensiones que se muestran son las dimensiones exactas del producto y puede que no reflejen las dimensiones necesarias de la instalación del panel.
- El panel lateral deberá tener un grosor mínimo de $\frac{1}{2}$ pulg. (1,3 cm) para impedir pandeos.
- Si la profundidad de la abertura es de 25 pulg. (63,5 cm) o mayor, tal vez quiera instalar una tabla de soporte en la pared posterior.

Refrigerador

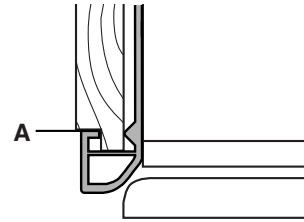


Adornos laterales



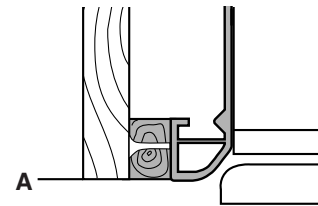
Medidas para la instalación empotrada

1. Mida la distancia del punto A (como se muestra) a la pared posterior. Agregue $\frac{7}{32}$ pulg. (5,6 mm) a esta medida para que el panel lateral se ajuste dentro del adorno.
2. Si el panel tiene más de $\frac{1}{4}$ pulg. (6 mm) de grosor, contornee el borde delantero del panel para permitir que el panel lateral encaje en el adorno.



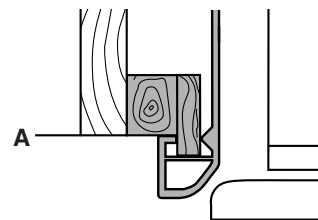
Medidas para la instalación al ras

1. Mida la distancia del punto A (como se muestra) a la pared posterior.
2. Afiance el tablero de soporte con un tornillo o pegamento que sea compatible con aluminio y madera.



Medidas para la instalación en relieve

1. Mida la distancia del punto A (como se muestra) a la pared posterior.
2. Contornee el borde delantero del tablero de soporte o afiance un tablero de $\frac{1}{4}$ pulg. (6 mm) para fijarlo en el adorno lateral del gabinete.



Paneles laterales para la serie de paneles a la medida

Los paneles laterales a la medida pueden ser necesarios cuando no hay suficiente espacio disponible para tener gabinetes en los dos lados del refrigerador o cuando el refrigerador se coloca al final de una tira de gabinetes. Usted puede elegir una instalación de paneles empotrados o en relieve.

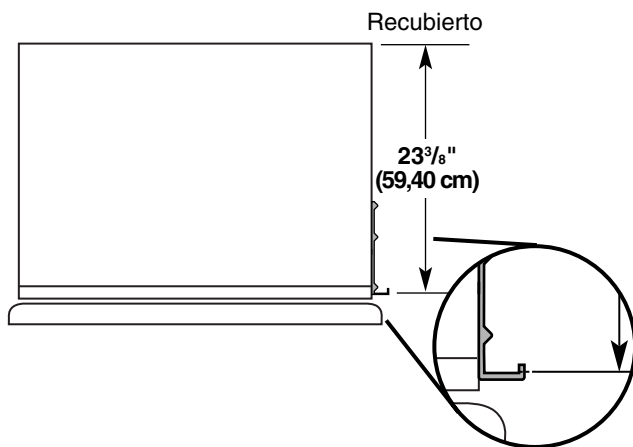
Medidas del refrigerador y del adorno lateral

El ancho y la altura del panel lateral están determinados por el tipo de instalación que usted planifique.

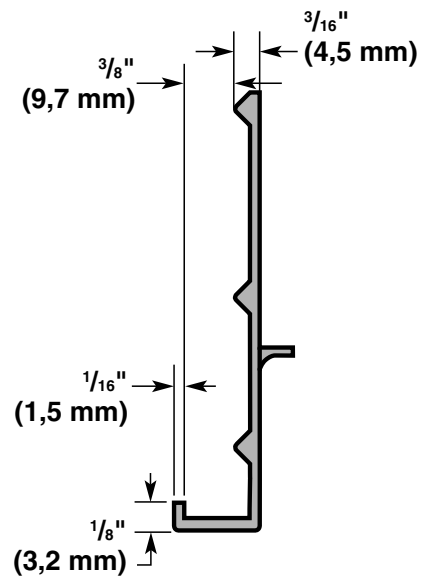
NOTAS:

- Las medidas que se muestran son las medidas exactas del producto y puede que no reflejen las dimensiones necesarias de la instalación.
- El panel lateral deberá tener un grosor mínimo de ½ pulg. (12 mm) para impedir pandeos.
- Si la profundidad de la abertura es de 25 pulg. (63,5 cm) o mayor, tal vez quiera instalar una tabla de soporte en la pared posterior.

Refrigerador

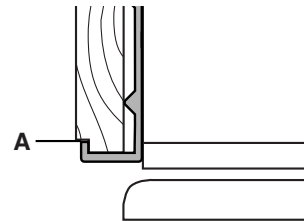


Adornos laterales



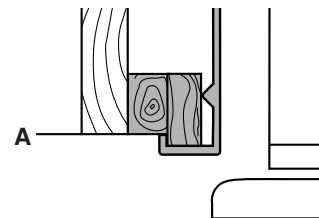
Medidas para la instalación empotrada

1. Mida la distancia del punto A (como se muestra) a la pared posterior. Agregue 1/32 pulg. (0,8 mm) a esta medida para que el panel lateral se ajuste dentro del adorno.
2. Si el panel tiene más de 3/8 pulg. (9,5 mm) de grosor, contornee el borde delantero del panel para permitir que el panel lateral encaje en el adorno.



Medidas para la instalación en relieve

1. Mida la distancia del punto A (como se muestra) a la pared posterior.
2. Contornee el canto delantero del tablero de soporte o afiance un tablero de 3/8 pulg (9,5 mm) para fijarlo al adorno lateral del gabinete.



REQUISITOS DE INSTALACIÓN

Piezas y Herramientas

IMPORTANTE:

- Instalador: Deje las Instrucciones de instalación con el propietario.
- Propietario: Conserve las Instrucciones de instalación para referencia futura. Guarde estas Instrucciones de instalación para tenerlas a disposición del inspector de electricidad local.

Herramientas necesarias:

Asegúrese de que tiene las herramientas requeridas para una instalación adecuada:

- Taladro manual o eléctrico (debidamente conectado a tierra)
- Destornillador Torx T27 de cabeza plana
- Brocas
- Llave para tuercas de $1\frac{1}{32}$ pulg.
- Dos llaves ajustables
- Llaves de boca de $\frac{3}{8}$ pulg. y $\frac{1}{2}$ pulg.
- Destornillador Phillips
- Llave Allen de $\frac{5}{32}$ pulg.
- Nivel pequeño
- Llave de cubo de $\frac{5}{16}$ pulg.
- Plataforma rodante para electrodomésticos
- Cinta para medir

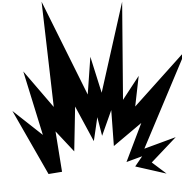
Piezas necesarias:

- 6 tornillos para madera #8 x 3 pulg. (7,6 cm) (podiera necesitarse tornillos más largos)
- 1 ó 2 tableros de madera de 2 pulg. x 4 pulg. x 32 pulg. (5 cm x 10 cm x 81 cm)
- Haga los paneles a la medida o recubiertos, o consulte con un carpintero o ebanista calificado para elaborarlos. Para obtener más información, vea "Requisitos de instalación" y "Especificaciones de diseño".
- Si está conectando la línea de agua directamente a una tubería de cobre y no a una válvula de cierre, necesitará una férula, una unión y un accesorio de compresión de $\frac{1}{4}$ pulg. (6,35 mm).

Requisitos de ubicación

El refrigerador puede instalarse en un recinto entre los gabinetes o al extremo de una tira de gabinetes utilizando un panel lateral para cercar el refrigerador.

⚠ ADVERTENCIA



Peligro de Explosión

Mantenga los materiales y vapores inflamables, tales como gasolina, alejados del refrigerador.

No seguir esta instrucción puede ocasionar la muerte, explosión, o incendio.

IMPORTANTE:

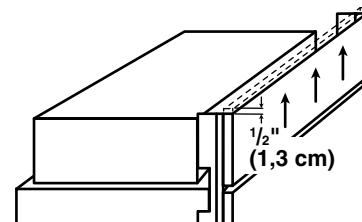
- Observe todos los códigos y reglamentos aplicables.
- No instale el refrigerador cerca de un horno, calefactor u otra fuente de calor ni en una ubicación en la que la temperatura puede bajar de los 55°F (13°C).
- El piso debe soportar el peso del refrigerador, más de 600 lbs. (272 kg), los paneles de las puertas y el contenido del refrigerador.
- La altura del techo deberá permitir un arco de vuelco lateral o delantero. Vea "Arco de vuelco" más adelante en esta sección.
- La ubicación debe permitir que las puertas abran totalmente. Vea "Medidas de oscilación de las puertas."
- La ubicación debe permitir que se quite la rejilla superior. Vea "Medidas de la abertura."

Medidas de la abertura

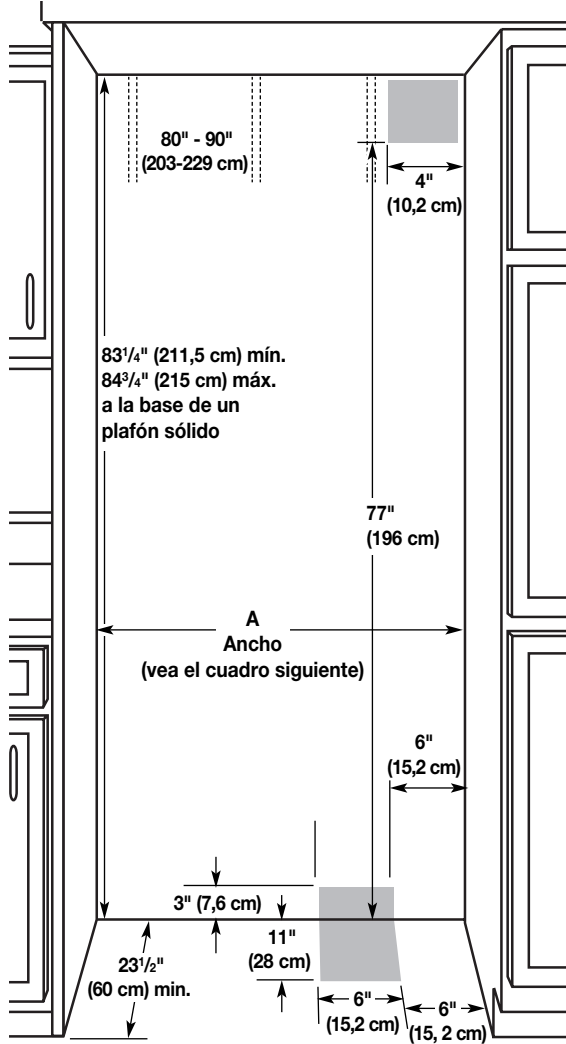
- El plafón sólido debe estar a no más de 1 pulg. (2,5 cm) por encima del refrigerador. Si el plafón sólido está a una altura de más de 1 pulg. (2,5 cm) o no hay ninguno disponible, entonces el refrigerador deberá estar apuntalado para impedir que se vuelque durante el uso.

Si se necesitan los tableros antivuelco, se deben ajustar en la parte posterior de los pies derechos de la pared de 80 a 90 pulg. (203 - 229 cm) arriba del piso. Vea "Cómo instalar los tableros antivuelco" para recibir más información.

NOTA: Se debe mantener un espacio de $\frac{1}{2}$ pulg. (1,3 cm) del sobre del parrilla superior para que la parrilla superior sea retirada.



- Un contacto de tres terminales con conexión a tierra debe ser ubicado a no más de 4 pulg. (10,2 cm) a la derecha de los gabinetes laterales o del panel del extremo. Vea “Requisitos eléctricos” para obtener información adicional.
- El cierre del agua deberá estar localizado en la base del gabinete, a cualquier lado del refrigerador o en algún otro lugar de fácil acceso. Si la válvula de cierre del agua no está en los gabinetes, la tubería para la línea del agua puede llegar a través del piso o de la pared trasera. Vea “Requisitos del suministro de agua” para obtener información adicional.



Modelo	Anchura A (como se muestra anteriormente)
42 pulg. (106 cm) 48 pulg. (122 cm)	41 1/2 pulg. (105,4 cm) 47 1/2 pulg. (120,7 cm)

Requisitos eléctricos

⚠ ADVERTENCIA



Peligro de Choque Eléctrico

Conecte a un contacto de pared de conexión a tierra de 3 terminales.

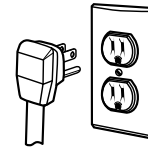
No quite el terminal de conexión a tierra.

No use un adaptador.

No use un cable eléctrico de extensión.

No seguir estas instrucciones puede ocasionar la muerte, incendio o choque eléctrico.

Antes de mover el refrigerador a su posición definitiva, es importante asegurarse que Ud. tiene la conexión eléctrica adecuada:



Método de conexión a tierra recomendado

Se requiere una fuente de energía eléctrica de 115 Voltios, 60 Hz., CA solamente y con fusibles de 15 ó 20 amperios, debidamente conectados a tierra. Se recomienda que se use un circuito separado sólo para su refrigerador. Use un tomacorriente que no se puede apagar con un interruptor. No use un cable de extensión.

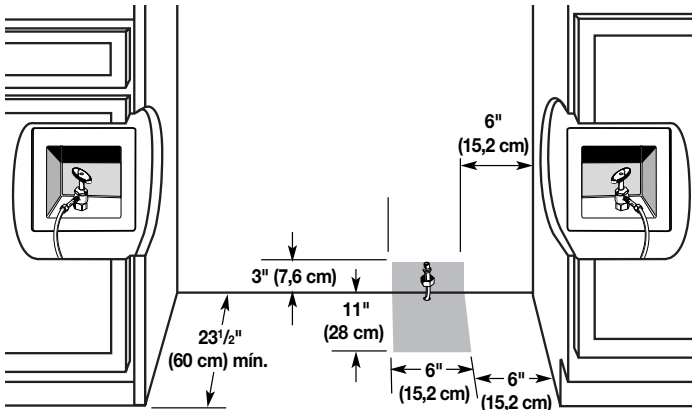
IMPORTANTE: Si este producto está conectado a un tomacorriente protegido por un interruptor del circuito de falla eléctrica de puesta a tierra (GFCI por sus iniciales en inglés), puede ocurrir un disparo brusco del suministro de corriente, lo que resultará en una pérdida de refrigeración. Esto puede afectar la calidad y el sabor de los alimentos. Si ha ocurrido un disparo brusco, y el alimento aparenta estar en malas condiciones, deshágase del mismo.

NOTA: Antes de realizar cualquier tipo de instalación, limpieza o quitar un foco, quite la rejilla superior y ponga el interruptor de alimentación en la posición OFF (Apagado) o desconecte la fuente de energía eléctrica en la caja de disyuntores.

Cuando haya terminado, ENCIENDA el interruptor de suministro de energía o reconecte el suministro de energía en la caja de disyuntores. Luego vuelva a ajustar el control en la posición deseada.

Requisitos del suministro de agua

- Todas las instalaciones deben hacerse de acuerdo a los requerimientos locales de plomería.
- El cierre del agua deberá estar localizado en la base del gabinete, a cualquier lado del refrigerador o en algún otro lugar de fácil acceso. Recomendamos el lado derecho. El agujero de acceso a través del gabinete derecho deberá estar a no más de ½ pulg. (12,7 mm) de la pared trasera.



- Si la válvula de cierre del agua no está en los gabinetes, la tubería para la línea de agua puede llegar a través del piso o de la pared trasera. Se debe perforar un orificio para plomería de ½ pulg. (12,7 mm) a una distancia de 6 pulg. (15,2 cm) a 12 pulg. (30,4 cm) del lado derecho del gabinete o panel. En el piso, el orificio no debe estar a más de 11 pulg. (28 cm) de la pared trasera. En la pared, el orificio no debe estar a más de 3 pulg. (7,6 cm) del piso. Vea “Cómo conectar el suministro de agua”.

Si se usa esta ubicación recomendada para la tubería de agua, no será necesario adquirir accesorios de plomería adicionales.

- Si necesita tubería adicional, use tuberías de cobre y revise si hay fugas. Instale la tubería de cobre sólo en áreas donde la temperatura vaya a permanecer por encima del punto de congelación.
- No use una válvula perforadora o una válvula de montura de 3/16 de pulg. (4,76 mm) que reduce el flujo de agua y se obstruye con más facilidad.

NOTA: El distribuidor de su refrigerador tiene disponible un juego con una válvula de cierre tipo montura de ¼ pulg. (6,35 mm), una unión y tubería de cobre. Antes de comprar, asegúrese que la válvula tipo montura cumpla con los códigos de plomería de su localidad.

Suministro de agua fría

Conecte la fábrica de hielo a una línea de agua fría con límites de presión de agua de 15 y 100 lb/pulg² (103 - 690 kPa). Si tiene preguntas sobre la presión de agua, llame a su compañía de servicios públicos.

INSTRUCCIONES DE INSTALACIÓN

Cómo desempacar su refrigerador

⚠ ADVERTENCIA



Peligro de Vuelco

El refrigerador puede volcarse cuando está siendo instalado debido a que la parte superior es pesada.

Mantenga las puertas cerradas con cinta hasta que el refrigerador esté completamente instalado.

Use dos o más personas para mover e instalar el refrigerador.

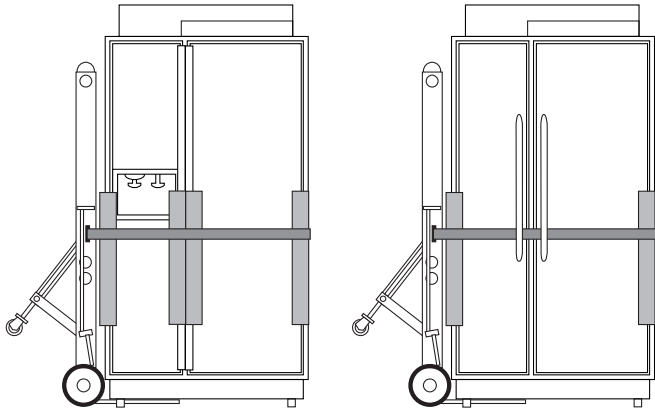
No seguir estas instrucciones puede ocasionar la muerte o herida seria.

IMPORTANTE:

- No quite la película de protección de su refrigerador hasta que esté en su ubicación para el funcionamiento.
 - Las cuatro patas niveladoras deberán tocar el piso para soportar y estabilizar el peso total del refrigerador.
 - Mantenga un tramo de cartón de empaque o de madera contrachapada bajo el refrigerador hasta que esté instalado para el funcionamiento.
1. Quite y guarde todo el paquete de material impreso y la bolsa de piezas adherida a la puerta del refrigerador. Quite las cuatro ménsulas (dos de cada lado) que afianzan la base de empaque al fondo del refrigerador.

NOTA: No quite la cinta y los refuerzos de las puertas hasta que el refrigerador esté en su ubicación final.

- Coloque una plataforma rodante para electrodomésticos debajo del refrigerador, en el lado del congelador. Asegúrese de que los adornos laterales y las agarraderas estén protegidos. Inserte los postes esquineros de los materiales de empaque en los adornos y agarraderas apropiadamente. Apriete cuidadosamente la correa.
NOTA: Pase la correa de la plataforma rodante por debajo de las agarraderas para las series Professional y Designer.



- Coloque unos tramos de cartón de embarque en el piso cuando haga rodar la plataforma rodante y el refrigerador al interior de la casa. Acerque el refrigerador a la abertura donde se va a empotrar.

Cómo reducir el arco de vuelco (si es necesario)

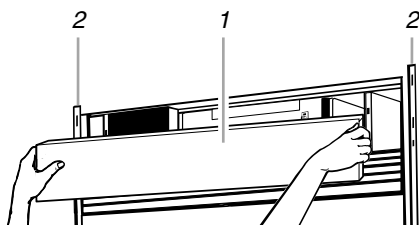
Antes de llevar el refrigerador a casa, asegúrese de que dispone de suficiente altura al techo para que el refrigerador esté completamente derecho. Vea "Arco de Vuelco" en la sección "Requisitos de instalación y Especificaciones de Diseño" para más información.

Si no se dispone de suficiente altura al techo para que el refrigerador esté completamente derecho, el arco de vuelco se puede reducir si quita la rejilla superior y los adornos laterales (vea el gráfico siguiente).

Modelo	Arco de vuelco reducido
42 pulg. (106,7 cm)	88½ pulg. (224,8 cm)
48 pulg. (121,9 cm)	89¼ pulg. (226,7 cm)

Serie de paneles a la medida

- Tome ambos extremos de la ensambladura de la rejilla superior.
- Empuje la rejilla superior hacia arriba y luego tire directamente hacia afuera. Coloque la ensambladura de la rejilla sobre una superficie blanda.

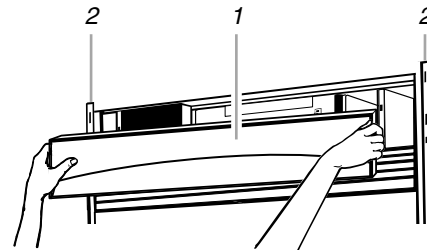


1. Rejilla superior
2. Adorno lateral del gabinete

- Quite los seis tornillos que afianzan el adorno lateral de cada gabinete al refrigerador y quite los adornos laterales.
- Ponga el refrigerador de pie colocando primero el extremo inferior izquierdo en el suelo, luego enderece el refrigerador hasta que quede derecho y entonces baje el lado derecho del refrigerador al suelo.
- Vuelva a ensamblar el adorno y la rejilla superior después de quitar la plataforma rodante del refrigerador.

Serie de agarradera curva y de agarradera profesional

- Tome ambos extremos de la rejilla superior. Empuje la rejilla superior hacia arriba y luego tire directamente hacia afuera. Coloque la rejilla superior sobre una superficie blanda.



1. Rejilla superior
2. Adorno lateral del gabinete

- Quite los seis tornillos que afianzan el adorno lateral de cada gabinete al refrigerador y quite estos adornos laterales.
- Ponga el refrigerador de pie colocando primero el extremo inferior izquierdo en el suelo, luego enderece el refrigerador hasta que quede derecho y entonces baje el lado derecho del refrigerador al suelo.
- Vuelva a ensamblar el adorno y la rejilla superior después de quitar la plataforma rodante del refrigerador.

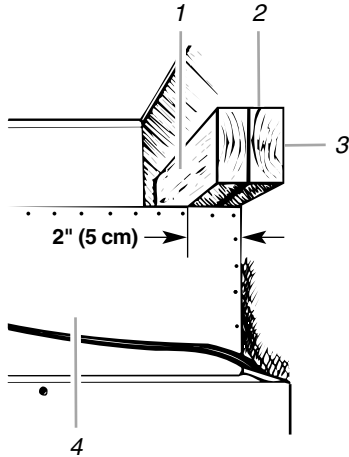
Cómo instalar los tableros antivuelco

IMPORTANTE:

- El plafón sólido debe estar a no más de 1 pulg. (2,5 cm) por encima del refrigerador. Si el plafón sólido está a más de 1 pulg. (2,5 cm) o no hay ninguno disponible, impida que el refrigerador se vuelque durante el uso como se muestra.
- Se recomienda que el(los) tablero(s) se instale(n) antes de la instalación del refrigerador.
- El(Los) tableros deberá(n) ser suficientemente largo(s) para poder cubrir totalmente el ancho de la cubierta del compresor.
- Ubique el(los) tablero(s) de manera que la superficie inferior del (los) tablero(s) esté a 84 pulg. (213 cm) del piso.
- Durante la instalación, eleve el refrigerador de manera que haya un máximo de ¼ pulg. (6,35 mm) entre la parte superior del refrigerador y el fondo del (los) tablero(s) antivuelco. No aplaste la cubierta del condensador al levantar las patas niveladoras traseras.

Cómo instalar los tableros antivuelco

1. Señale las ubicaciones para los montantes en la pared trasera, de 80 pulg. a 90 pulg. (203 - 229 cm) por encima del piso.
2. Afiance seguramente uno o dos de los tableros de madera de 2 pulg. x 4 pulg. x 32 pulg. (5 cm x 10 cm x 81 cm) a los montantes de pared detrás del refrigerador. Use 6 tornillos para madera #8 x 3 pulg. (7,6 mm) (o más largos). Los tornillos para madera deberán atornillarse un mínimo de 1½ pulg. (3,8 cm) en los montantes. El(Los) tablero(s) deben quedar sobrepuestos encima de la cubierta del compresor.



1. Tablero central a ¼ pulg. (6 mm) máximo por encima del refrigerador
2. Dos tableros de 2 pulg. x 4 pulg. x 32 pulg. (5 cm x 10 cm x 81 cm)
3. Afiance a los montantes con 6 tornillos #8 x 3 pulg. (7,6 cm)
4. Cubierta del compresor

Cómo conectar el suministro de agua

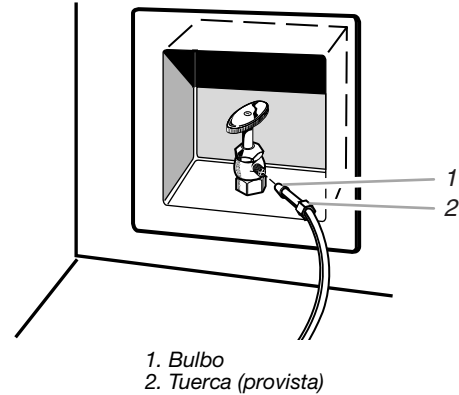
1. Quite la cinta de empaque de la tubería de agua gris enrollada en la parte trasera del refrigerador.
2. Antes de fijar la tubería de cobre al refrigerador, enjuague la tubería de agua hacia una cubeta con dos cuartos (1,9 L) de agua, para eliminar cualquier partícula dentro de la tubería de agua.
3. Busque fugas alrededor de la válvula de cierre tipo montura. No apriete demasiado la abrazadera o la manga. Se puede quebrar tubería de cobre.

4. Haga la conexión al refrigerador.

Estilo 1 - Conexión a una válvula de agua:

NOTA: La válvula de cierre del agua deberá estar localizada en la base del gabinete, a cualquier lado del refrigerador. Se recomienda el lado derecho. El orificio de acceso a través del gabinete derecho deberá estar a ½ pulg. (12,7 mm) de la pared trasera cuando menos.

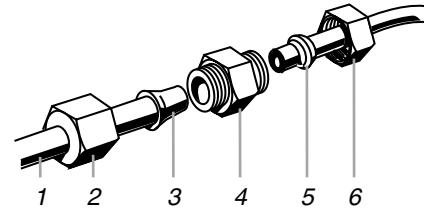
Empuje el extremo del bulbo de la tubería dentro de la válvula de agua hasta donde llegue. Deslice la tuerca hacia adelante y apriete con los dedos. Luego apriétela dos vueltas con una llave de tuercas. No apriete demasiado.



Estilo 2 - Conexión a una tubería de agua

Partes adicionales necesarias: Acoplamiento, férula y tuerca.

Deslice la tuerca adquirida y luego la férula adquirida por la tubería. Empuje la tubería hasta el fondo del acoplamiento adquirido. Deslice hacia adelante la tuerca y la férula. Apriete la tuerca a mano. Luego apriétela dos vueltas con una llave de tuercas. No apriete demasiado.



1. Tubería al refrigerador
2. Tuerca (provista)
3. Bulbo
4. Acoplamiento (adquirido)
5. Férula (adquirida)
6. Tuerca (adquirida)

5. ABRA la válvula de cierre.
6. Fíjese si hay fugas. Apriete aquellas tuercas o conexiones que tengan fugas (incluidas las conexiones en la válvula).

Cómo enchufar el refrigerador

⚠ ADVERTENCIA



Peligro de Choque Eléctrico

Conecte a un contacto de pared de conexión a tierra de 3 terminales.

No quite el terminal de conexión a tierra.

No use un adaptador.

No use un cable eléctrico de extensión.

No seguir estas instrucciones puede ocasionar la muerte, incendio o choque eléctrico.

1. Coloque el interruptor de control en la parte superior del gabinete en la posición OFF (Apagado).
2. Conecte a un contacto de pared de conexión a tierra de 3 terminales.

Ubicación final del refrigerador

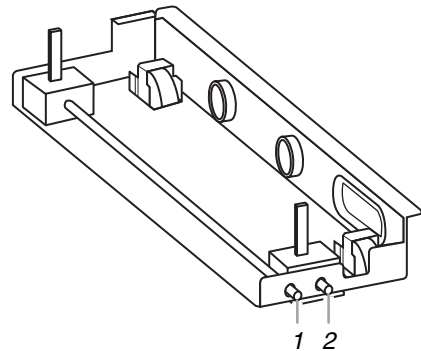
IMPORTANTE: Antes de mover el refrigerador y para evitar daños al piso, asegúrese que las patas niveladoras están levantadas (no están tocando el piso) y que el refrigerador se encuentra sobre los rodillos.

1. Coloque la parte superior del empaque de cartón o madera contrachapada debajo del refrigerador. Quite la plataforma rodante.
2. No quite la película de protección.
3. Empuje el refrigerador directamente hacia atrás y en forma pareja hacia el interior de la abertura. Verifique que la tubería de agua no esté torcida y que el cable de alimentación esté encima del refrigerador, junto a la cubierta.

Baje las patas niveladoras

NOTA: Las cuatro patas niveladoras deberán hacer contacto con el piso para soportar y estabilizar el peso total del refrigerador. Los rodillos se usan para mover el refrigerador y nunca para un soporte permanente.

Utilice la llave de cubo para hacer girar los niveladores de las patas a la derecha (sentido de las manecillas del reloj) en ambos lados del refrigerador, hasta que el peso del refrigerador esté soportado por las patas niveladoras. Los rodillos no deberán hacer contacto con el piso. Para evitar daños al gabinete, limite el torque aplicado a las patas niveladoras a no más de 50 pulg - lb (58 cm - kg).



1. Patas niveladoras traseras
2. Patas niveladoras delanteras

Cómo instalar los paneles a la medida

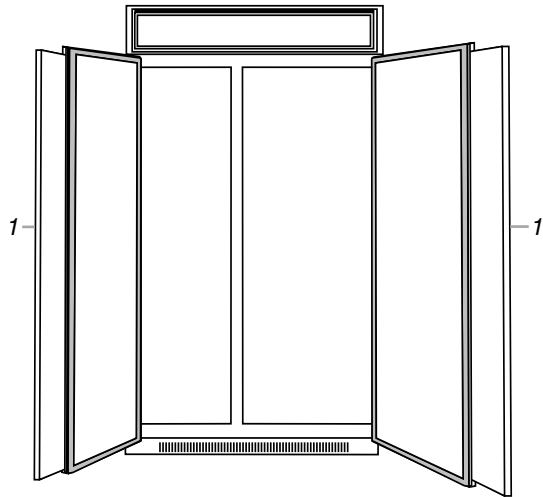
IMPORTANTE: Thermador no es responsable por la remoción o adición de adornos o paneles decorativos que pudieran impedir darle servicio al refrigerador.

NOTA: Para instalar los paneles a la medida totalmente recubiertos, tome como referencia las instrucciones de instalación que se incluyen con el Juego de adorno sin borde. Para obtener más información, vea las "Especificaciones de diseño".

Paneles de la puerta

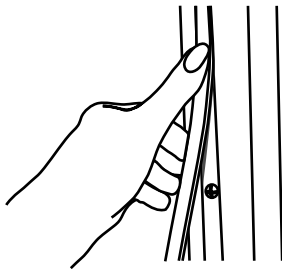
1. Quite toda la cinta y los refuerzos de las puertas del congelador y del refrigerador.
2. Quite los tornillos que afianzan las agarraderas al marco de la puerta.
3. Deslice los paneles decorativos en los marcos de la puerta.

- Si es necesario, contornee los paneles de la puerta o instale un panel de relleno entre las puertas y los paneles decorativos. Vea la sección "Paneles a la medida."

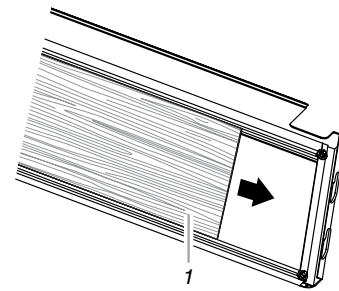


1. Paneles

- Vuelva a colocar las agarraderas de las puertas. Verifique que la parte superior de ambas agarraderas esté alineada.
- Quite la piel protectora de las cubiertas de los tornillos. Encaje las cubiertas de los tornillos en la sección del adorno de la agarradera.

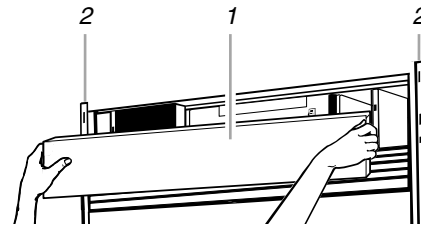


- Deslice el panel decorativo dentro de la rejilla superior y vuelva a colocar las cubiertas de borde.



1. Panel a la medida

- Vuelva a colocar la rejilla superior en los adornos laterales del gabinete y empuje ligeramente hacia abajo el panel para trabarlo en su lugar.

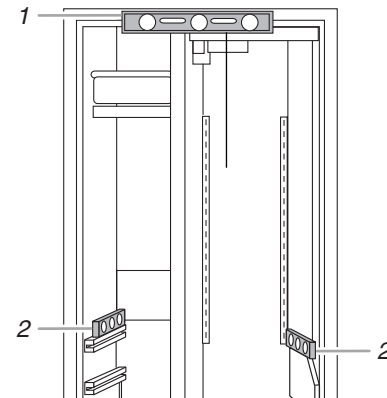


1. Rejilla superior
2. Adorno lateral del gabinete

Cómo nivelar el refrigerador

NOTA: Antes de nivelar el refrigerador deberán instalarse los paneles de la puerta de las series de paneles a la medida o totalmente recubiertos de la puerta.

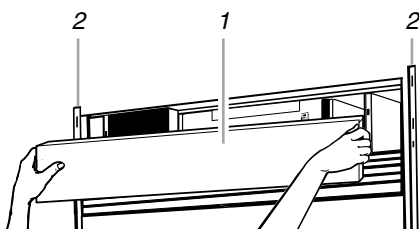
- Abra las puertas y coloque un nivel en la parte superior del marco del refrigerador como se muestra. Verifique que el refrigerador esté nivelado de izquierda a derecha.



1. Nivel para verificar la nivelación de izquierda a derecha
2. Nivel para verificar la nivelación de adelante hacia atrás

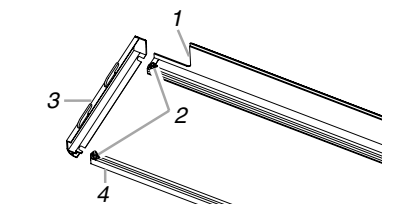
Panel de la rejilla superior

- Tome ambos extremos de la rejilla superior.
- Empuje hacia arriba y luego tire directamente hacia afuera. Coloque la rejilla superior con el lado del panel hacia abajo sobre una superficie blanda.



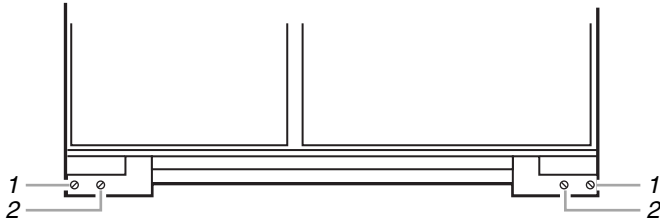
1. Rejilla superior
2. Adorno lateral del gabinete

- Quite una cubierta del borde aflojando las tuercas y deslizando la cubierta de borde hacia afuera.



1. Riel inferior
2. Tuercas
3. Cubierta del borde
4. Riel superior

- Utilice los pernos niveladores para ajustar las patas niveladoras hasta que el refrigerador esté nivelado de izquierda a derecha.



1. Perno nivelador trasero
2. Perno nivelador delantero

- Coloque el(los) nivel(es) en el estante o estantes como se muestra. Verifique que el refrigerador esté nivelado de adelante hacia atrás.
- Utilice los pernos niveladores para ajustar las patas niveladoras hasta que el refrigerador esté nivelado de adelante hacia atrás.
- Asegúrese que las cuatro patas niveladoras hagan contacto con el piso y soporten el peso total de del refrigerador.
- Haga una verificación final para asegurarse de que el refrigerador esté nivelado.

Cómo ajustar las puertas

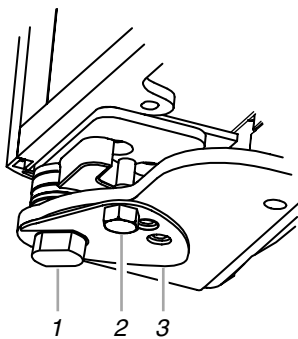
Cómo ajustar la altura de la puerta

Siga los pasos a continuación para ajustar la altura de la puerta, hacia arriba o hacia abajo, una vez que se nivelaron las puertas.

- Abra la puerta del congelador o del refrigerador. Localice la bisagra inferior y quite el tornillo de tope de la puerta.

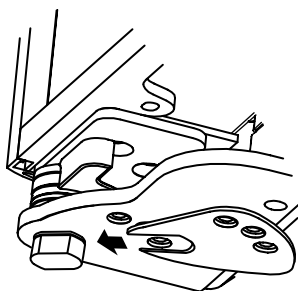
Modelos Classic y Architect®

Quite el tornillo de tope de la puerta del lado inferior de la bisagra.



1. Casquillo
2. Tornillo de retención de la puerta
3. Placa de traba

- Quite la placa de traba, como se muestra.

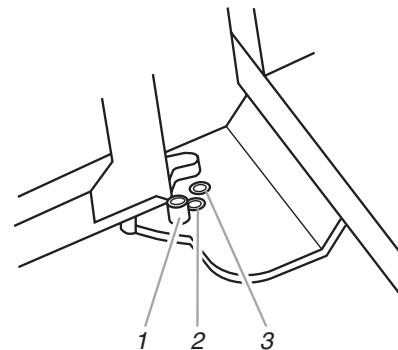


- Usando la llave de boca, haga girar el casquillo ubicado debajo de la parte inferior de la bisagra. Si gira el casquillo a la izquierda (contra el sentido de las manecillas del reloj) elevará la puerta. Si gira el casquillo hacia la derecha (en el sentido de las manecillas del reloj) hará bajar a la puerta.
- Después del ajuste asegúrese que las puertas estén parejas arriba y abajo. Si las puertas no están parejas, siga haciendo girar el casquillo hasta ajustar la altura de las puertas.
- Vuelva a colocar la placa de traba.
- Mueva ligeramente el casquillo para alinear los orificios de tornillo de la bisagra y de la placa de traba.
- Vuelva a colocar el tornillo o los tornillos de retención de la puerta y apriételes.
- Haga una verificación final para asegurarse de que las puertas estén alineadas y parejas.

Cómo ajustar la oscilación de las puertas

- Verifique que la puerta del refrigerador se pueda abrir con toda libertad. Si la puerta se abre demasiado o si va a instalar paneles a la medida totalmente recubiertos usando un Juego de adorno sin borde, deberá ajustar la oscilación de la puerta.
- Quite el o los tornillos del tope de la puerta (dependiendo de su modelo) de la bisagra inferior. Vea "Cómo ajustar la altura de la puerta", anteriormente en esta sección.
- Detenga la puerta abierta en un ángulo menor de 90°.
- Vuelva a colocar el o los tornillos del tope de la puerta en la bisagra inferior y apriete.

NOTA: Si usa paneles a la medida totalmente recubiertos con el Juego de adorno sin borde, el tope de la puerta deberá reemplazarse en un ángulo de 90° ó 110°. Vea "Espacios para la agarradera y la puerta para la serie de paneles a la medida".



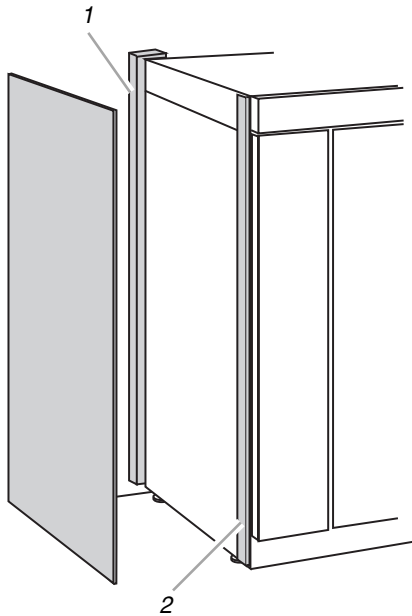
1. 130°
2. 110°
3. 90°

Cómo instalar el panel lateral

Si la profundidad del área para empotrar es de 25 pulg. (63,5 cm) o más, los paneles laterales pueden instalarse dentro del adorno lateral o afianzarse a la parte externa del adorno lateral.

IMPORTANTE: Thermador no es responsable por la remoción o adición de adornos o paneles decorativos que pudieran impedir darle servicio al refrigerador.

1. Para la pieza que va dentro del adorno lateral, deslice el borde delantero del lado contorneado del panel dentro de la pieza de adorno.
2. Clave el borde trasero del panel al tablero de soporte.

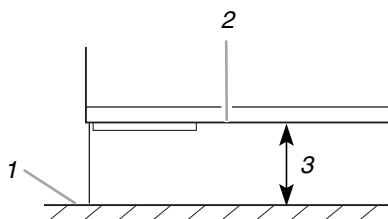


1. Tablero de soporte
2. Pieza de adorno lateral

Cómo instalar la rejilla de la base

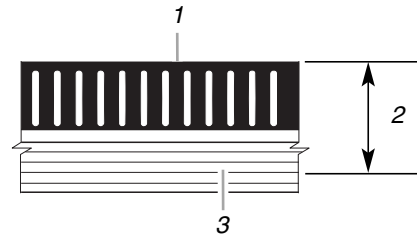
Hay dos piezas en la rejilla de la base para permitir un encaje a la medida: la base de la rejilla misma y el faldón. Se puede agregar el faldón a la rejilla de la base para extenderla completamente hasta el piso.

1. Abra la puerta del refrigerador y mida la distancia desde el fondo del gabinete del refrigerador al piso.



1. Piso
2. Fondo del gabinete del refrigerador
3. Distancia que debe medirse

2. Mida esta misma distancia desde la parte superior de la rejilla de la base al surco "V" más cercano en el faldón de la rejilla. Use un cuchillo para marcar hacia abajo por el surco "V" y rompa el faldón por la línea que marcó.



1. Ensambladura de la rejilla de la base y el faldón
2. Distancia medida desde arriba según el paso 2
3. Marque la ranura "V"

3. Deslice el faldón sobre la rejilla de la base.
4. Afiance la rejilla de la base al gabinete con los dos tornillos provistos.

Cómo terminar la instalación

1. Gire la válvula de la tubería de alimentación de agua a la posición "Abierta".
2. Gire el interruptor del refrigerador a la posición ON (encendido). Espere unos minutos. Busque fugas en las conexiones de la tubería de agua.
3. Abra las puertas del refrigerador y quite todas las cajas, paquetes de partes y materiales de empaque. Vea la sección "Limpieza" en la Guía de uso y cuidado, para las instrucciones. Quite la película protectora de las puertas o del marco de la puerta dependiendo de su modelo.
4. Instale los anaqueles y recipientes en el refrigerador y en los compartimientos del congelador.
5. Los controles están prefijados de fábrica en su posición intermedia. Verifique que el compresor esté funcionando correctamente y que todas las luces funcionen.
6. Enjuague el sistema de agua antes de utilizarlo. Vea la sección "Preparación del sistema de agua" en la Guía de uso y cuidado.
7. Si se sigue construyendo después de haber instalado el refrigerador, fije los controles en OFF (Apagado).

Para obtener el uso más eficiente de su nuevo refrigerador empotrado, lea la Guía de uso y cuidado. Conserve a mano las Instrucciones de instalación y la Guía de uso y cuidado del refrigerador empotrado para una consulta fácil.

SÉCURITÉ DU RÉFRIGÉRATEUR

Votre sécurité et celle des autres est très importante.

Nous donnons de nombreux messages de sécurité importants dans ce manuel et sur votre appareil ménager. Assurez-vous de toujours lire tous les messages de sécurité et de vous y conformer.



Voici le symbole d'alerte de sécurité.

Ce symbole d'alerte de sécurité vous signale les dangers potentiels de décès et de blessures graves à vous et à d'autres.

Tous les messages de sécurité suivront le symbole d'alerte de sécurité et le mot "DANGER" ou "AVERTISSEMENT". Ces mots signifient :

⚠ DANGER

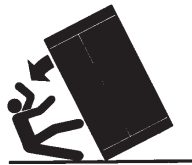
Risque possible de décès ou de blessure grave si vous ne suivez pas immédiatement les instructions.

⚠ AVERTISSEMENT

Risque possible de décès ou de blessure grave si vous ne suivez pas les instructions.

Tous les messages de sécurité vous diront quel est le danger potentiel et vous disent comment réduire le risque de blessure et ce qui peut se produire en cas de non-respect des instructions.

⚠ AVERTISSEMENT



Risque de basculement

Le réfrigérateur est lourd au sommet et bascule facilement lorsqu'il n'est pas complètement installé.

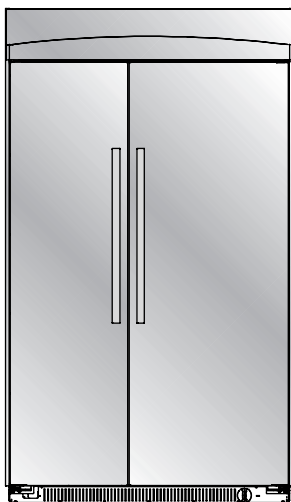
Garder les portes fermées avec un ruban adhésif jusqu'à l'installation complète du réfrigérateur.

Utiliser deux ou plus de personnes pour déplacer et installer le réfrigérateur.

Le non-respect de ces instructions peut causer un décès ou une blessure grave.

SPÉCIFICATIONS DE DESIGN

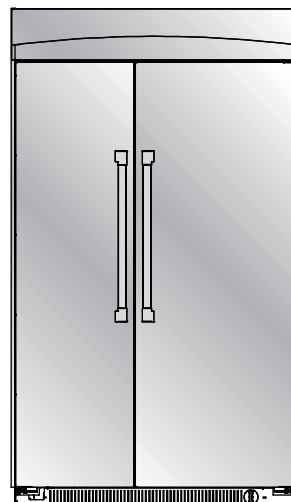
Modèles - Réfrigérateurs côte à côte sans distributeur



Série à poignée galbée

Se caractérise par un style extérieur en acier inoxydable complété par des poignées de porte galbées.

KBUI4250A KBUI4850A

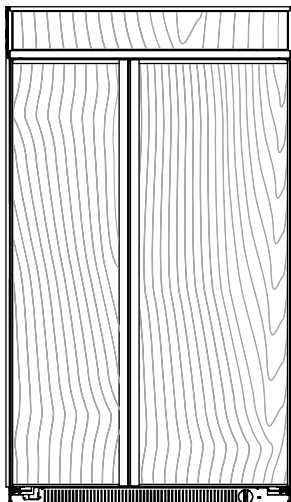


Série à poignée Professional

Se caractérise par un style extérieur en acier inoxydable complété par des poignées de portes Professional.

KBUI4260A KBUI4860A

Série de panneaux personnalisés



Se caractérise par une garniture de style traditionnel d'origine pour donner une apparence "encadré". Cette série nécessite l'installation de panneaux personnalisés qui ne sont pas inclus.

KBUI4270A KBUI4870A

TRIMKITSXS - Ensemble de panneaux sans garniture

Sur la série de panneaux personnalisés, vous pouvez créer une apparence "uniforme" en utilisant des panneaux de revêtement personnalisés. Vous aurez besoin de l'ensemble de panneaux sans garniture pour réfrigérateurs côte à côte TRIMKITSXS. Cet ensemble accessoire contient des pièces pour remplacer la garniture d'origine.

Des panneaux de revêtement personnalisés et des poignées sont nécessaires mais ne sont pas inclus dans cet ensemble accessoire. Créer les panneaux selon les spécifications de la section "Panneaux de revêtement personnalisés". Vous pouvez commander un jeu de poignées galbées Thermador ou sélectionner d'autres poignées. Pour les espaces de porte, voir "Espacements de poignée et de porte pour la série de panneaux personnalisés".

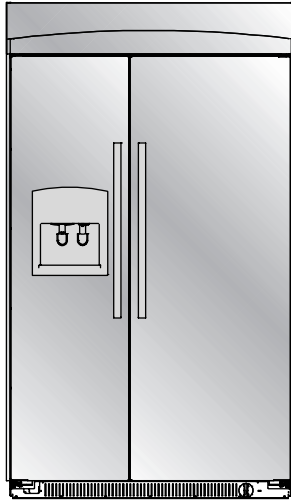
CURVEDHAND - Ensemble de poignées galbées

Pour utilisation avec les panneaux de revêtement personnalisés, vous pouvez commander l'ensemble de poignée galbée Thermador. L'ensemble contient 2 poignées, des vis et les instructions d'installation.

EXHANDSXS - Ensemble de poignées prolongées pour les appareils côte à côte

Cet ensemble peut être nécessaire si vous installez un panneau personnalisé relevé. Voir "Espacements de poignée et de porte pour la série de panneaux personnalisés".

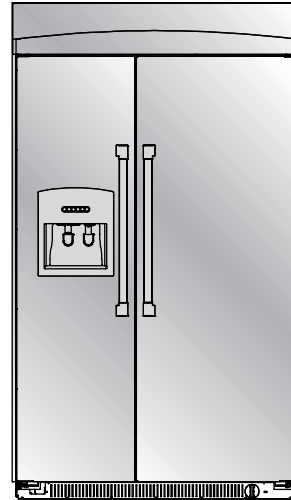
Modèles - Réfrigérateurs côte à côte avec distributeur



Série à poignée galbée

Se caractérise par un style extérieur en acier inoxydable complété par des poignées de porte galbées.

KBUDT4250A KBUDT4850A

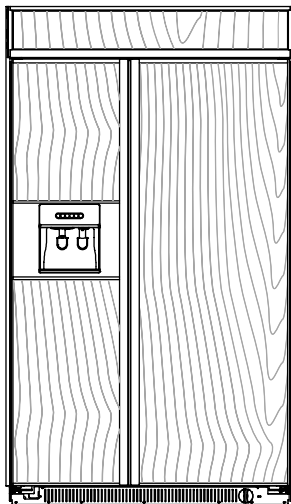


Série à poignée Professional

Se caractérise par un style extérieur en acier inoxydable complété par des portes Professional.

KBUDT4260A KBUDT4860A

Série de panneaux personnalisés



Se caractérise par une garniture de style traditionnel d'origine pour donner une apparence "encadré". Cette série nécessite l'installation de panneaux personnalisés qui ne sont pas inclus.

KBUDT4270A KBUDT4870A

TRIMKITSXS - Ensemble de panneaux sans garniture

Sur la série de panneaux personnalisés, vous pouvez créer une apparence "uniforme" en utilisant panneaux de revêtement personnalisés. Vous aurez besoin de l'ensemble de panneaux sans garniture pour réfrigérateurs côte à côte TRIMKITSXS. Cet ensemble accessoire contient des pièces pour remplacer la garniture d'origine.

Des panneaux de revêtement sont nécessaires mais ne sont pas inclus dans cet ensemble accessoire. Créer les panneaux selon les spécifications de la section "Panneaux de revêtement personnalisés". Vous pouvez commander un jeu de poignées galbées Thermador ou sélectionner d'autres poignées. Pour les espaces de porte, voir "Espacements de poignée et de porte pour la série de panneaux personnalisés".

CURVEDHAND - Ensemble de poignées galbées

Pour utilisation avec les panneaux de revêtement personnalisés, vous pouvez commander l'ensemble de poignée galbée Thermador. L'ensemble contient 2 poignées, des vis et les instructions d'installation.

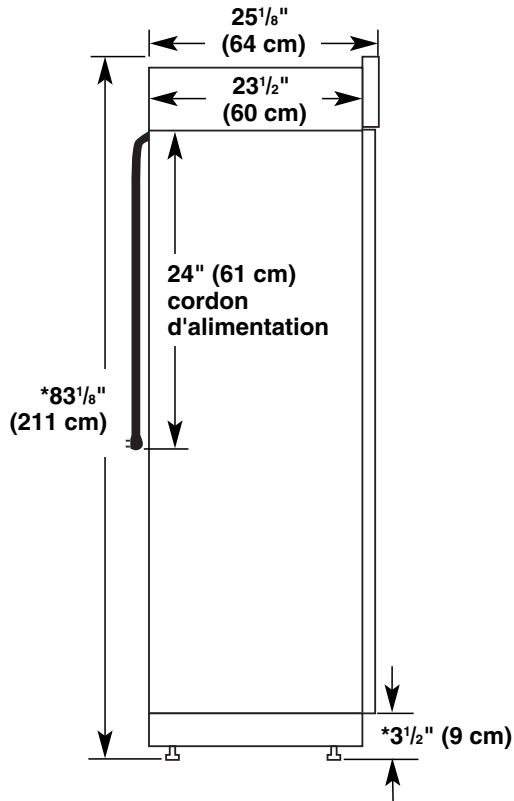
EXTHANDSXS - Ensemble de poignées prolongées pour les appareils côte à côte

Cet ensemble peut être nécessaire si vous installez un panneau personnalisé relevé. Voir "Espacements de poignée et de porte pour la série de panneaux personnalisés".

Dimensions du produit

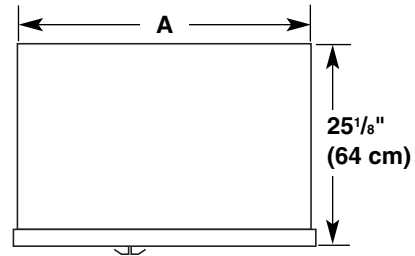
Vue latérale

- La profondeur de l'avant de la grille supérieure à l'arrière de la caisse du réfrigérateur est de 25¹/₈ po (64 cm).
- Le cordon d'alimentation mesure 24 po (61 cm) de long.
- La canalisation d'eau fixée à l'arrière du réfrigérateur mesure 5 pi (1,5 m) de long.
- Les hauteurs indiquées sont calculées lorsque où les pieds de nivellement déployés dépassent de 1/8 po (3 mm) au-dessous des roulettes.



*Lorsque les pieds de nivellement sont totalement déployés de 1¹/₄ po (32 mm) au-dessous des roulettes, ajouter 1¹/₈ po (29 mm) à la hauteur totale.

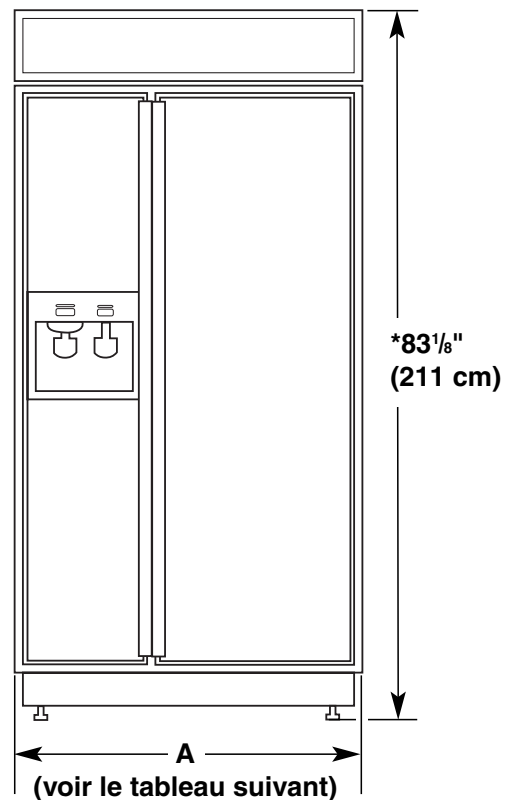
Vue de dessus



Modèle	Largeur A
42 po (106 cm)	41 po (104 cm)
48 po (122 cm)	47 po (119 cm)

Vue avant

- Les dimensions de largeur ont été mesurées d'un bord à l'autre de la garniture extérieure.
- Les dimensions de hauteur indiquées correspondent à la situation où les pieds de nivellement déployés dépassent de 1/8 po (3 mm) au-dessous des roulettes.



Modèle	Largeur A (d'un bord à l'autre de la garniture)
42 po (106 cm)	42 ¹ / ₄ po (107 cm)
48 po (122 cm)	48 ¹ / ₄ po (123 cm)

*Lorsque les pieds de nivellement sont totalement déployés de 1¹/₄ po (32 mm) au-dessous des roulettes, ajouter 1¹/₈ po (29 mm) à la hauteur totale.

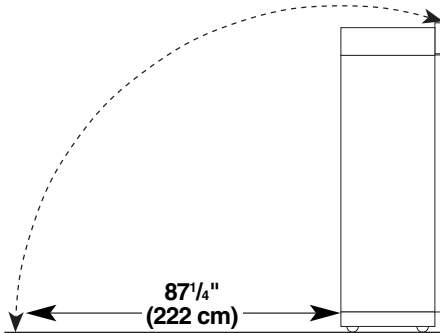
Rayon de basculement

S'assurer que la hauteur du plafond est suffisante pour mettre le réfrigérateur en position verticale lorsqu'il est mis dans son emplacement.

- Si le réfrigérateur est installé sur un chariot à roulettes, on doit ajouter la hauteur des roues du chariot au rayon de basculement.
- Si nécessaire, on peut réduire le rayon de basculement. Voir la section "Réduction du rayon de basculement".

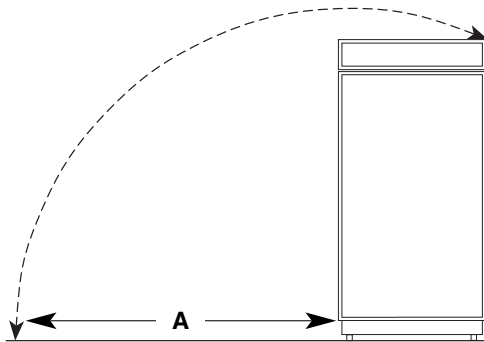
Rayon de basculement avant

Le rayon de basculement avant est le même pour tous les modèles.



Rayon de basculement latéral

Le rayon de basculement latéral varie en fonction de la largeur du modèle. Utiliser le tableau fourni pour déterminer le rayon de basculement latéral.



Modèle	Rayon de basculement A
42 po (106 cm)	93 po (236,2 cm)
48 po (122 cm)	96 po (243,8 cm)

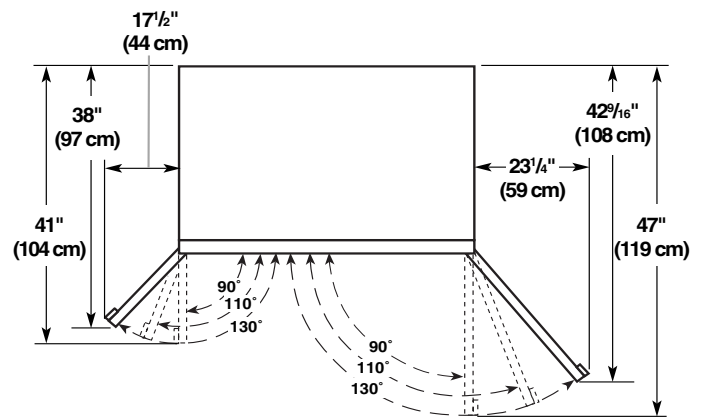
Dimensions pour le pivotement des portes

L'emplacement d'installation doit permettre l'ouverture des deux portes à un angle minimal de 90°. Laisser un espace libre d'au moins 4 1/2 po (11,4 cm) entre le côté du réfrigérateur et le mur formant l'angle.

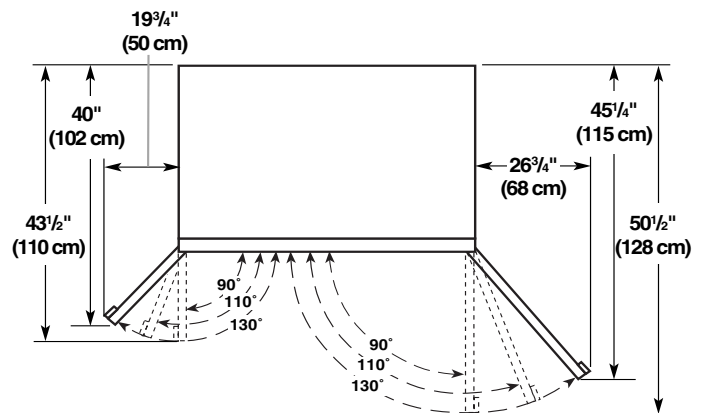
REMARQUE : Un dégagement plus grand peut être nécessaire si vous utilisez des panneaux décoratifs ou des poignées personnalisées.

Pour ajuster l'ouverture des portes, voir la section "Ajustement des portes".

Modèles de 42 po (106 cm)

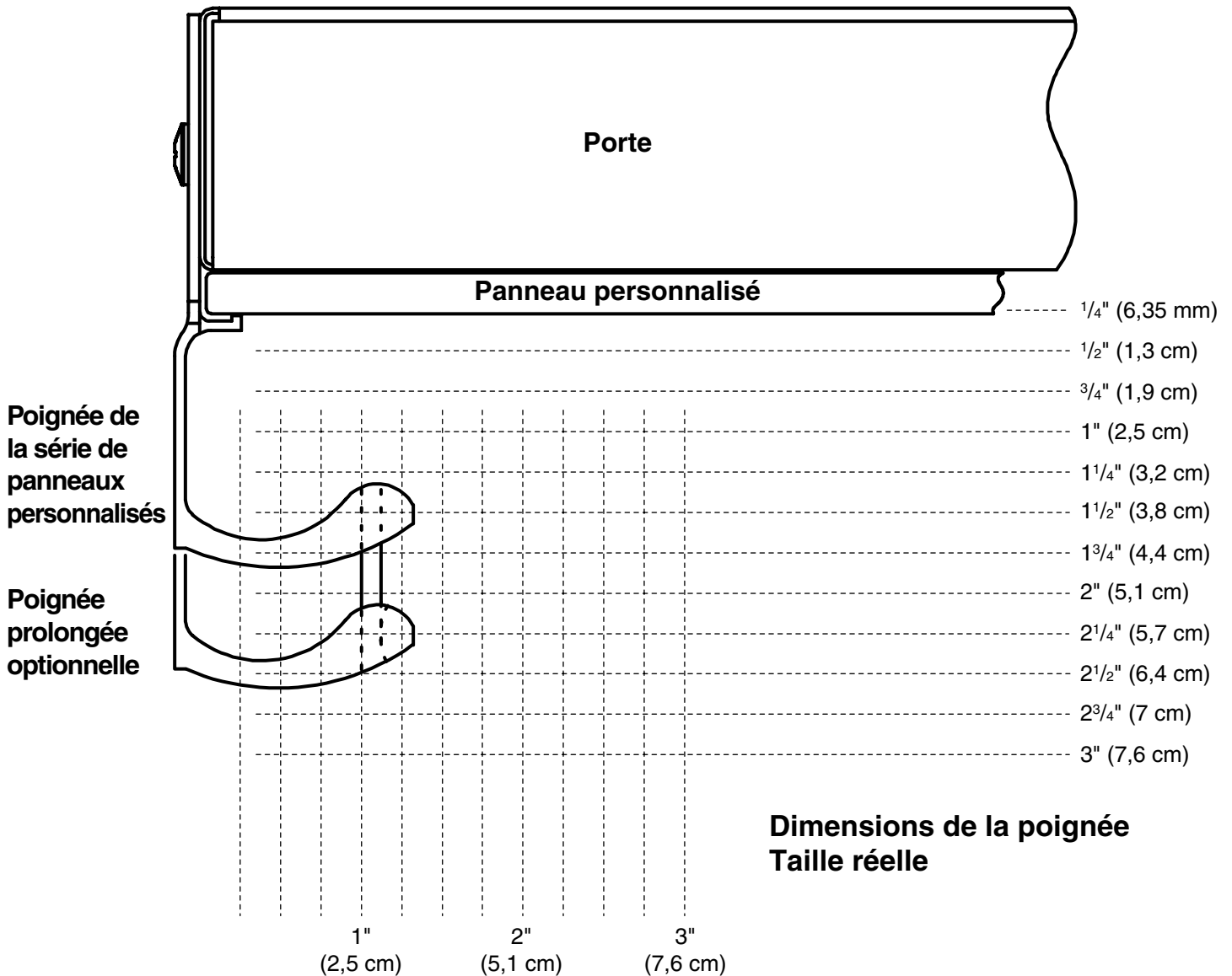


Modèles de 48 po (122 cm)



Dégagements pour les poignées et portes

Si on installe des panneaux personnalisés, ces derniers doivent permettre certains dégagements pour les poignées et pour l'ouverture des portes. Un ensemble de poignée prolongée peut être nécessaire si vous installez un panneau personnalisé élevé. Voir la section "Modèles" dans "Spécifications du design".



**Série de panneaux personnalisés
Décalages pour les panneaux de
revêtement personnalisés**

**Pivotement de la porte de 110°
Taille réelle**

**Garniture latérale
du réfrigérateur**

1" (2,5 cm) 2" (5,1 cm)
3/4" (1,9 cm) 1 3/4" (4,4 cm)
1/2" (1,3 cm) 1 1/2" (3,8 cm)
1/4" (6,35 mm) 1 1/4" (3,2 cm)

Charnière

1/4" (6,35 mm)

1/2" (1,3 cm)

3/4" (1,9 cm)

1" (2,5 cm)

1 1/4" (3,2 cm)

1 1/2" (3,8 cm)

1/2" (1,3 cm)

3/4" (1,9 cm)

1" (2,5 cm)

1 1/4" (3,2 cm)

1 1/2" (3,8 cm)

Porte

Panneau de soutien
Panneau personnalisé

Panneau de décalage

REMARQUE : Pour utiliser des panneaux de revêtement personnalisés, vous devez commander l'ensemble de panneaux sans garniture. De plus, il vous faudra commander un ensemble de poignées galbées Thermador ou sélectionner d'autres poignées. Voir la section "Modèles" dans les "Spécifications de design" pour obtenir plus d'informations et un ensemble spécifique.

Panneaux personnalisés

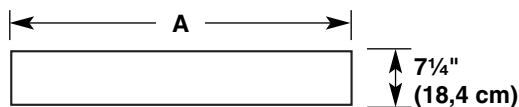
Si vous prévoyez installer des panneaux personnalisés en bois, vous devrez les créer vous-même ou consulter un ébéniste ou menuisier qualifié. Voir les dessins dimensionnels pour les spécifications des panneaux.

IMPORTANT : Les panneaux de poids supérieur au poids recommandé risquent d'endommager le réfrigérateur.

REMARQUE : Les dimensions indiquées ont une tolérance de (\pm) $\frac{1}{16}$ po (1,5 mm). Les panneaux dont l'épaisseur est supérieure à $\frac{1}{4}$ po (6 mm) doivent faire l'objet d'un usinage. Si l'épaisseur des panneaux est inférieure à $\frac{1}{4}$ po (6 mm), installer un panneau de remplissage entre les portes et les panneaux décoratifs.

Panneau de la grille supérieure

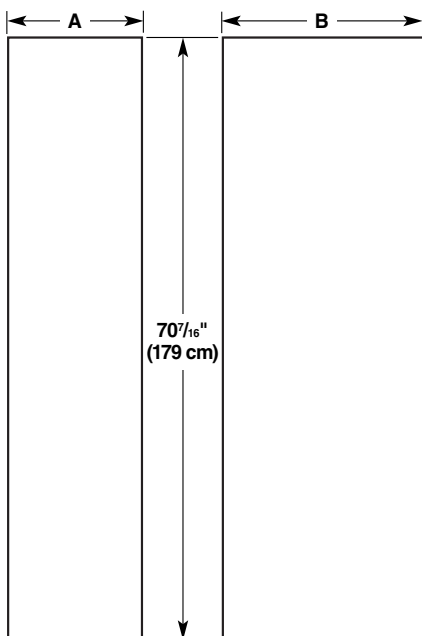
Le panneau supérieur **NE DOIT PAS PESER** plus de 10 lb (4,5 kg).



Modèle	A
42 po (106 cm) 48 po (122 cm)	40 1/2 po (105 cm) 46 1/2 po (120 cm)

Panneaux de porte pour modèles sans distributeur

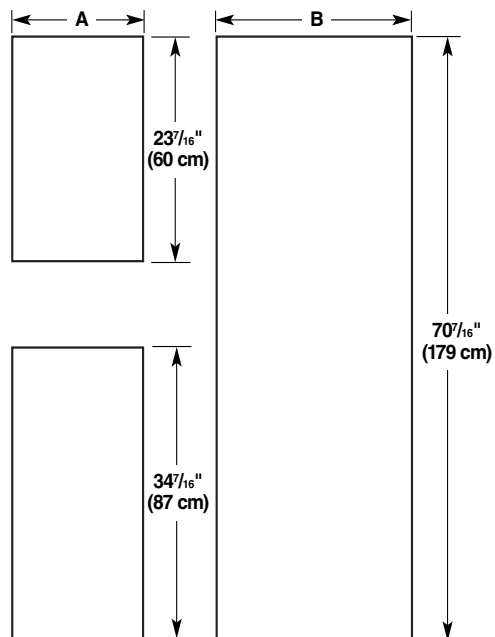
Le panneau du congélateur **NE DOIT PAS PESER** plus de 30 lb (13,5 kg). Le panneau du réfrigérateur **NE DOIT PAS PESER** plus de 50 lb (23 kg).



Modèle	A	B
42 po (106 cm) 48 po (122 cm)	16 3/4 po (43 cm) 19 1/4 po (49 cm)	22 3/4 po (58 cm) 26 1/4 po (67 cm)

Panneaux de porte pour modèles avec distributeur

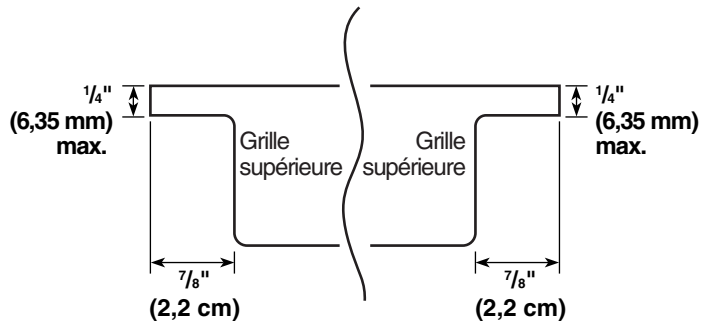
Les deux panneaux de congélateur combinés **NE DEVRAIENT PAS PESER** plus de 30 lb (13,5 kg). Le panneau du réfrigérateur **NE DOIT PAS PESER** plus de 50 lb (23 kg).



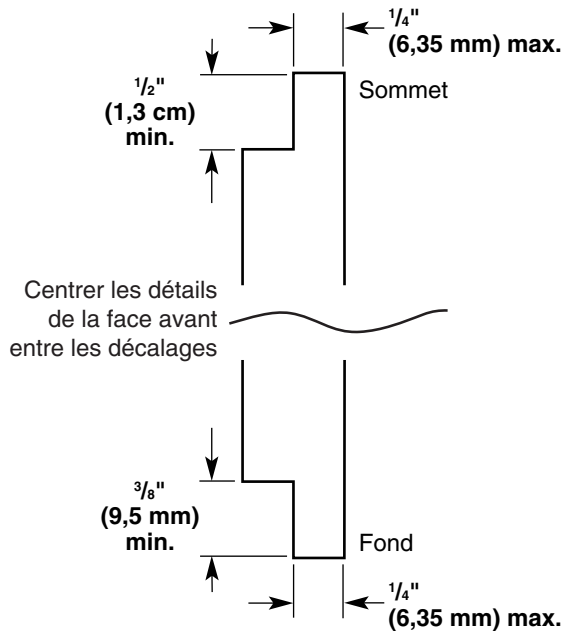
Modèle	A	B
42 po (106 cm) 48 po (122 cm)	16 3/4 po (43 cm) 19 1/4 po (49 cm)	22 3/4 po (58 cm) 26 1/4 po (67 cm)

Exigences d'usinage du panneau de la grille supérieure

Les rives supérieure et inférieure du panneau supérieur devraient être usinées de $\frac{1}{2}$ po (1,3 cm) et $\frac{3}{8}$ po (0,95 cm) respectivement. Les deux extrémités devraient être usinées sur les rives de $\frac{7}{8}$ po (2,2 cm) tel qu'illustré.



REMARQUE : Lors de la création d'un panneau orné en façade, les décalages seront dissimulés et il faut en tenir compte pour centrer le détail dans la grille supérieure.

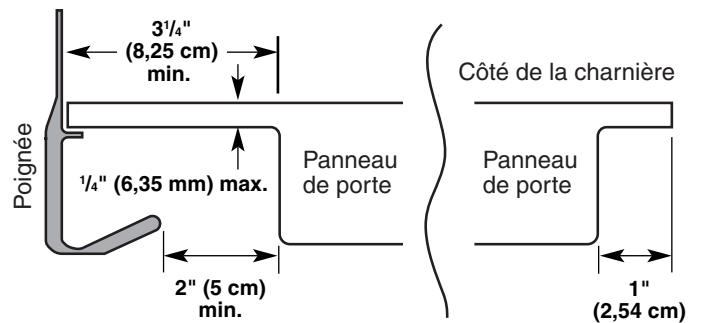


Exigences d'usinage des panneaux de porte

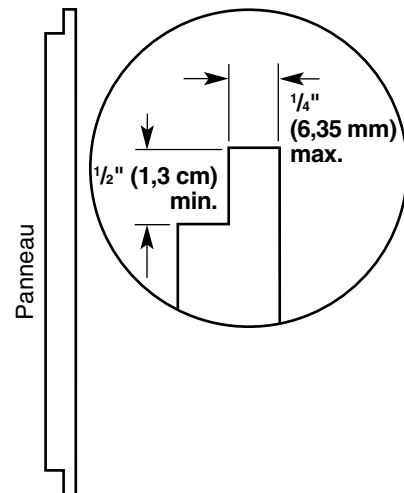
Si on utilise un ensemble de poignées de porte prolongées, il n'est pas nécessaire d'usinier le côté poignée des panneaux. Voir "Décalage de poignée et de porte" pour plus d'information sur la commande de poignées prolongées.

Si on utilise la poignée standard, usiner sur toute sa longueur le côté poignée des deux panneaux de $3\frac{1}{4}$ po (8,25 cm) en prévision d'un dégagement pour les doigts. Usiner les autres côtés de 1 po (2,54 cm).

Poignée standard – Vue supérieure



Panneau de porte – Vue latérale



Panneaux de revêtement personnalisés

Les panneaux de revêtement personnalisés vous permettent d'agencer l'extérieur de votre réfrigérateur à l'ensemble du décor de la cuisine et d'utiliser des poignées personnalisées pour une plus grande souplesse de design.

REMARQUE : Pour l'utilisation des panneaux de revêtement personnalisés, un ensemble de panneaux sans garniture pour réfrigérateurs côte à côte est nécessaire (TRIMKITSXS). Les panneaux de revêtement personnalisés et les poignées sont nécessaires mais ne sont pas inclus. Créer les panneaux selon ces spécifications. Vous pouvez commander l'ensemble de poignées galbées Thermador ou d'autres poignées. Voir la section "Modèles" dans "Spécifications du design" pour obtenir plus d'informations.

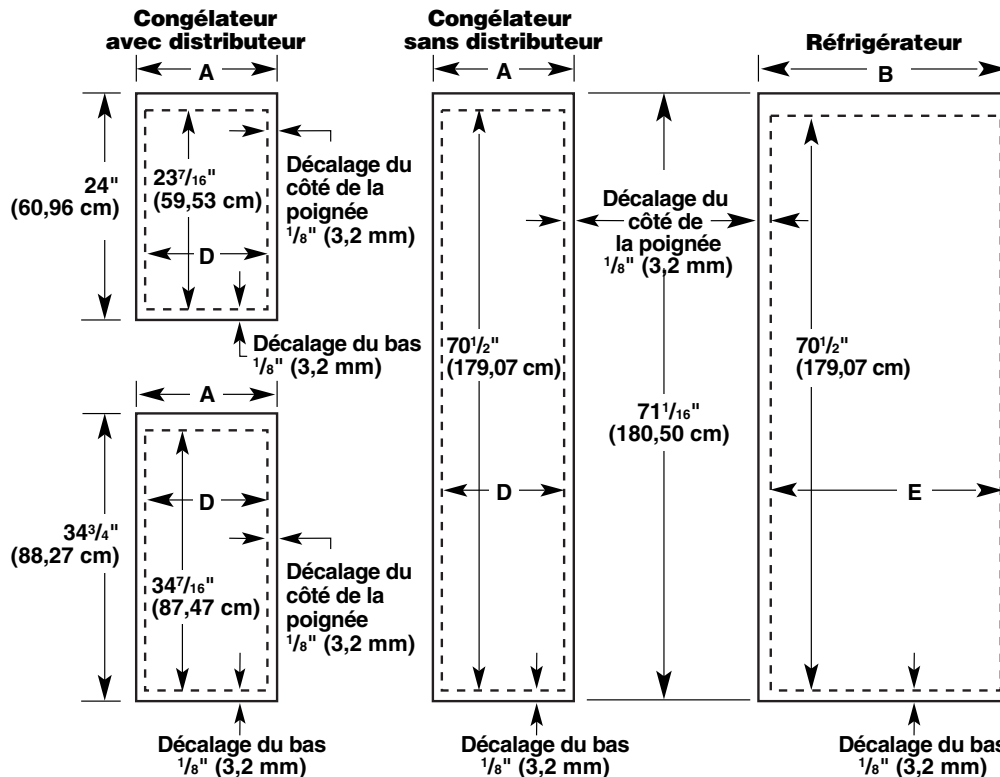
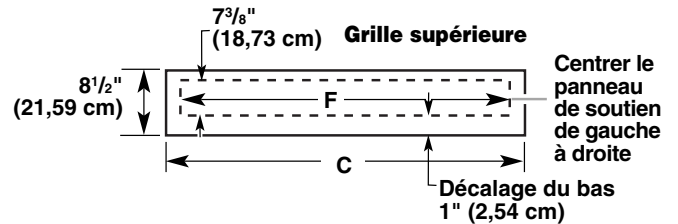
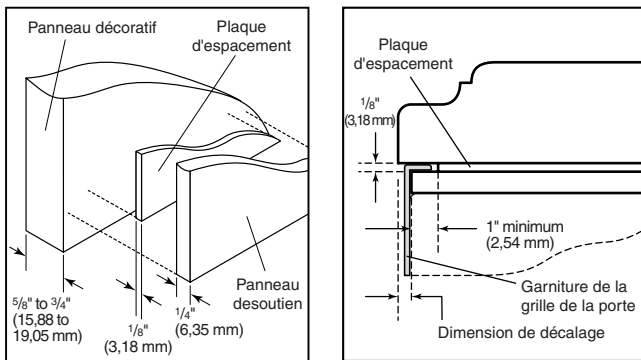
Les panneaux personnalisés doivent être munis de panneaux de soutien pour pouvoir être installés sur le réfrigérateur. La façon la plus courante est d'utiliser trois panneaux, tel qu'illustré ci-dessous : un panneau de revêtement, une plaque d'espacement de 1/8 po (3,18 mm) ou des tringles d'espacement et un panneau de soutien de 1/4 po (6,35 mm).

Dans certains cas, votre fabricant de placards choisira peut-être de travailler avec un panneau usiné aux différentes dimensions. Suivre ces instructions pour les dimensions et l'emplacement des panneaux pour s'assurer que les panneaux de revêtement personnalisés.

IMPORTANT :

- Le poids du panneau de revêtement de la porte du réfrigérateur ne peut dépasser 50 lb (23 kg).
- Le poids du panneau de revêtement de la porte du congélateur ne peut dépasser 30 lb (13,5 kg).
- Le poids du panneau de revêtement de la grille supérieure ne peut dépasser 10 lb (4,5 kg).

Pour minimiser le poids du panneau, vous pouvez utiliser des tringles d'espacement de 2 po (5,08 cm) sur le périmètre à la place d'une plaque d'espacement massif. Les tringles d'espacement doivent être installées à au moins 1 po (2,54 cm) des rives supérieure, inférieure et latérales du panneau de soutien. Si on utilise des tringles d'espacement, il est aussi recommandé d'utiliser 2 po (5,08 cm) centrées horizontalement pour un soutien additionnel.



Panneaux de revêtement			
Modèle	A	B	C
42 po (106 cm)	17 1/8 po (43,50 cm)	23 1/8 po (58,74 cm)	41 3/8 po (105,09 cm)
48 po (122 cm)	19 5/8 po (49,85 cm)	26 5/8 po (67,63 cm)	47 3/8 po (120,33 cm)

Panneaux de soutien			
Modèle	D	E	F
42 po (106 cm)	16 15/16 po (43,50 cm)	22 15/16 po (58,26 cm)	40 1/2 po (102,87 cm)
48 po (122 cm)	19 7/16 po (49,37 cm)	26 7/16 po (67,15 cm)	46 1/2 po (118,11 cm)

Séries de panneaux latéraux à poignée galbée et Professional

Les panneaux latéraux personnalisés peuvent être nécessaires lorsqu'il n'y a pas suffisamment d'espace pour avoir des placards des deux côtés du réfrigérateur ou lorsque le réfrigérateur est placé à l'extrémité d'une enfilade de placards. Vous avez le choix d'installer un panneau inséré, en affleurement ou inséré en retrait.

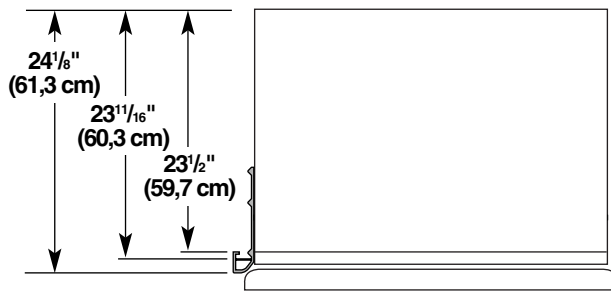
Dimensions du réfrigérateur et des garnitures latérales

La largeur et la hauteur du panneau latéral sont déterminées en fonction du type d'installation prévu.

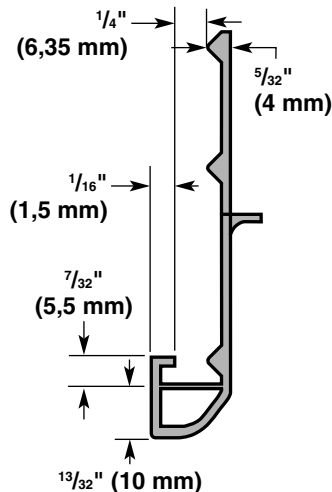
REMARQUES :

- Les dimensions indiquées sont les dimensions réelles du produit et peuvent ne pas refléter les dimensions nécessaires d'installation des panneaux.
- Le panneau latéral devrait avoir une épaisseur minimale de $\frac{1}{2}$ po (1,3 cm) pour prévenir le gauchissement.
- Si la profondeur de l'ouverture est de 25 po (63,5 cm) ou plus, vous voudrez peut-être installer une tringle d'appui sur le mur arrière.

Réfrigérateur

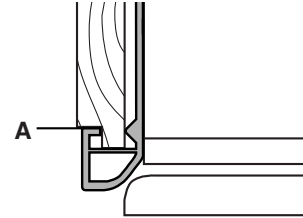


Garnitures latérales



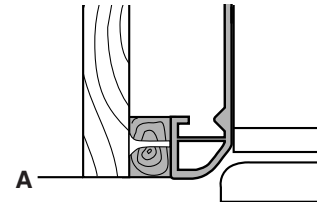
Dimensions pour un panneau inséré

1. Mesurer la distance du point A (tel qu'illustré) à la paroi arrière. Ajouter $\frac{7}{32}$ po (5,6 mm) à cette mesure pour que le panneau latéral entre dans la garniture.
2. Si le panneau a plus de $\frac{1}{4}$ po (6 mm) d'épaisseur, usiner la rive avant du panneau latéral pour que l'insertion soit possible.



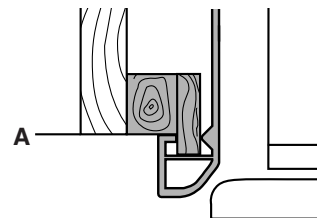
Dimensions pour un panneau en affleurement

1. Mesurer la distance du point A (tel qu'illustré) à la paroi arrière.
2. Fixer la tringle d'appui avec une vis ou un adhésif compatible avec l'aluminium et le bois.



Dimensions pour un panneau inséré en retrait

1. Mesurer la distance du point A (tel qu'illustré) à la paroi arrière.
2. Usiner la rive avant de la tringle d'appui ou installer une planchette de $\frac{1}{4}$ po (6 mm) pour la rétention du panneau dans la garniture latérale de la caisse.



Panneaux latéraux de la série de panneaux personnalisés

Des panneaux latéraux personnalisés peuvent être nécessaires lorsqu'il n'y a pas suffisamment d'espace pour avoir des placards des deux côtés du réfrigérateur ou lorsque le réfrigérateur est placé à l'extrémité d'une enfilade de placards. Vous avez le choix d'installer un panneau inséré ou inséré en retrait.

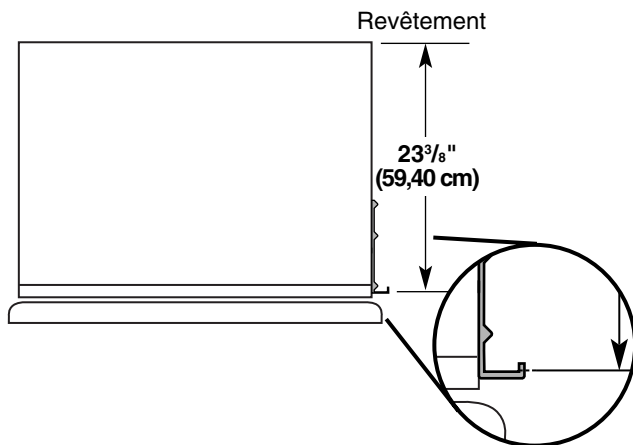
Dimensions du réfrigérateur et des garnitures latérales

La largeur et la hauteur du panneau latéral sont déterminées en fonction du type d'installation prévu.

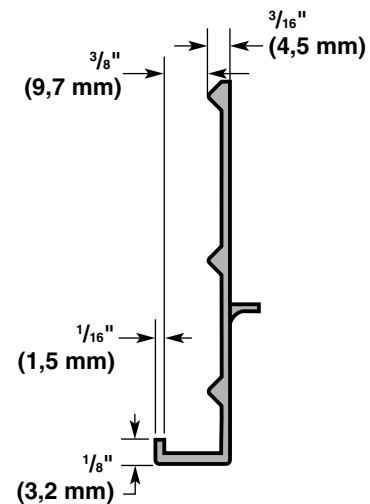
REMARQUES :

- Les dimensions indiquées sont les dimensions réelles du produit et peuvent ne pas refléter les dimensions nécessaires d'installation des panneaux.
- Le panneau latéral devrait avoir une épaisseur minimale de $\frac{1}{2}$ po (12 mm) pour prévenir le gauchissement.
- Si la profondeur de l'ouverture est de 25 po (63,5 cm) ou plus, vous voudrez peut-être installer une tringle d'appui sur le mur arrière.

Réfrigérateur

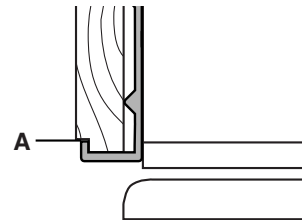


Garnitures latérales



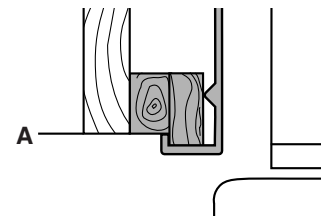
Dimensions pour un panneau inséré

1. Mesurer la distance du point A (tel qu'illustré) à la paroi arrière. Ajouter $\frac{1}{32}$ po (0,8 mm) à cette mesure pour que le panneau latéral entre dans la garniture.
2. Si le panneau a plus de $\frac{3}{8}$ po (9,5 mm) d'épaisseur, usiner la rive avant du panneau latéral pour que l'insertion soit possible.



Dimensions pour un panneau inséré en retrait

1. Mesurer la distance du point A (tel qu'illustré) à la paroi arrière.
2. Usiner la rive avant de la tringle d'appui ou installer une planchette de $\frac{3}{8}$ po (9,5 mm) pour la rétention du panneau dans la garniture latérale de la caisse.



EXIGENCES D'INSTALLATION

Outillage et pièces nécessaires

IMPORTANT :

- Installateur : Remettre les instructions d'installation au propriétaire.
- Propriétaire : Conserver les instructions d'installation pour référence ultérieure. Conserver ces instructions d'installation pour consultation par l'inspecteur local des installations électriques.

Outillage requis :

S'assurer d'avoir tous les outils nécessaires pour une bonne installation :

- | | |
|--|--|
| ■ Perceuse manuelle ou électrique (convenablement reliée à la terre) | ■ Tourne-écrou à tête fraisée à six pans creux T27 |
| ■ Forets | ■ Tourne-écrou de 1 ¹ / ₂ po |
| ■ Deux clés à molette | ■ Clés plates de 3/8 po et 1/2 po |
| ■ Tournevis Phillips | ■ Clé Allen de 5/32 po |
| ■ Chariot pour appareil ménager | ■ Clé à douille de 5/16 po |
| ■ Petit niveau | ■ Mètre-ruban |

Pièces nécessaires :

- 6 vis à bois n° 8 x 3 po (7,6 cm) (il peut être nécessaire d'utiliser des vis plus longues)
- 1 ou 2 morceaux de bois de 2 x 4 x 32 po (5 x 10 x 81 cm)
- Fabriquer des panneaux personnalisés ou à revêtement ou consulter un ébéniste ou un menuisier qualifié pour la fabrication de panneaux. Voir "Exigences d'installation" et "Spécifications du design" pour plus d'information.
- Si on connecte la canalisation d'eau directement à un tube en cuivre et non à un robinet d'arrêt, il faut une virole, un raccord et une bague de compression de 1/4 po (6,35 mm).

Exigences d'emplacement

Le réfrigérateur peut être encastré dans une ouverture entre les placards ou installé à l'extrémité d'une enfilade de placards en utilisant un panneau latéral pour encadrer le réfrigérateur.

AVERTISSEMENT



Risque d'explosion

Garder les matériaux et les vapeurs inflammables, telle que l'essence, loin du réfrigérateur.

Le non-respect de cette instruction peut causer un décès, une explosion ou un incendie.

IMPORTANT :

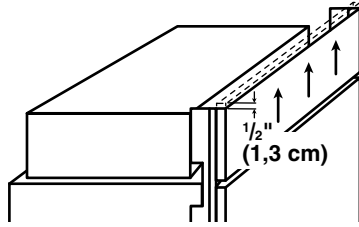
- Observer tous les codes et règlements en vigueur.
- Ne pas installer le réfrigérateur près d'un four, d'un radiateur ou d'une autre source de chaleur, ni dans un endroit où la température baissera au-dessous de 55°F (13°C).
- Le plancher doit supporter le poids du réfrigérateur, soit plus de 600 lb (272 kg), en plus des panneaux de porte et du contenu du réfrigérateur.
- La hauteur du plafond doit être suffisante pour le rayon de basculement latéral et avant. Voir "Rayon de basculement" plus loin dans cette section.
- L'emplacement doit permettre l'ouverture complète des portes.
- L'emplacement doit permettre d'enlever la grille supérieure. Voir "Dimensions de l'ouverture".

Dimensions de l'ouverture

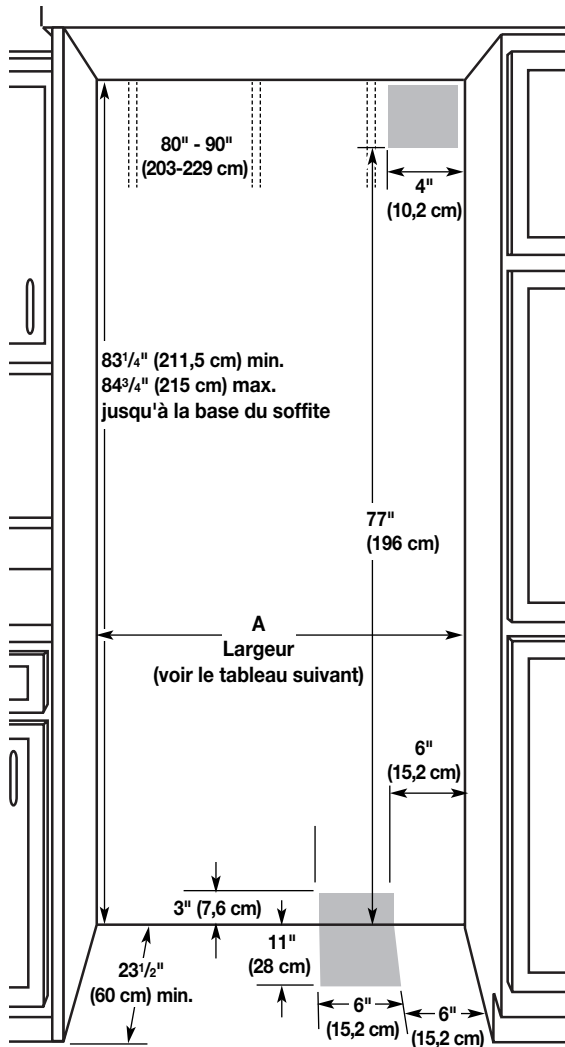
- Le soffite massif doit se trouver en deçà de 1 po (2,5 cm) au plus au-dessus du réfrigérateur. Si le soffite massif se trouve à plus de 1 po (2,5 cm) ou si un soffite n'est pas disponible, le réfrigérateur doit être arrimé pour l'empêcher de basculer en cours de service.

Si des planches antibasculement sont nécessaires, elles doivent être fixées aux poteaux de colombage du mur arrière de 80 à 90 po (203 à 229 cm) au-dessus du plancher. Voir "Installation de planches antibasculement" pour plus d'information.

REMARQUE : Un dégagement de ½ po (1,3 cm) doit être maintenu au dessus de la grille supérieure pour que la grille supérieure puisse être enlevée.



- Une prise de courant à 3 alvéoles reliée à la terre devrait être installée à 4 po (10,2 cm) du côté droit des placards ou du panneau d'extrémité. Voir "Exigences électriques" pour plus d'information.
- Le robinet d'arrêt devrait se trouver dans le placard inférieur, d'un côté ou l'autre du réfrigérateur ou à un autre endroit facilement accessible. Si le robinet d'arrêt n'est pas dans les placards, la plomberie pour la canalisation d'alimentation peut être acheminée à travers le plancher ou le mur arrière. Voir "Spécifications de l'alimentation en eau" pour plus d'information.



Spécifications électriques

⚠ AVERTISSEMENT



Risque de choc électrique

Brancher sur une prise à 3 alvéoles reliée à la terre.

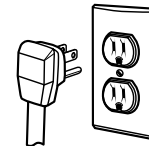
Ne pas enlever la broche de liaison à la terre.

Ne pas utiliser un adaptateur.

Ne pas utiliser un câble de rallonge.

Le non-respect de ces instructions peut causer un décès, un incendie ou un choc électrique.

Avant de placer le réfrigérateur à son emplacement final, il est important de vous assurer d'avoir la connexion électrique appropriée :



Méthode recommandée de mise à la terre

Une source d'alimentation de 115 volts, 60 Hz, type 15 ou 20 ampères CA seulement, protégée par fusible et adéquatement mise à la terre est nécessaire. Il est recommandé d'utiliser un circuit distinct pour alimenter uniquement votre réfrigérateur. Utiliser une prise murale qui ne peut être mise hors circuit à l'aide d'un commutateur. Ne pas utiliser de cordon de rallonge.

IMPORTANT : Si ce produit est connecté à une prise protégée par un disjoncteur de fuite à la terre, un déclenchement intempestif peut se produire et causer une perte de refroidissement. La qualité et la saveur des aliments risquent d'être affectées. Si un déclenchement intempestif se produit et si les aliments semblent de piètre qualité, jeter le tout.

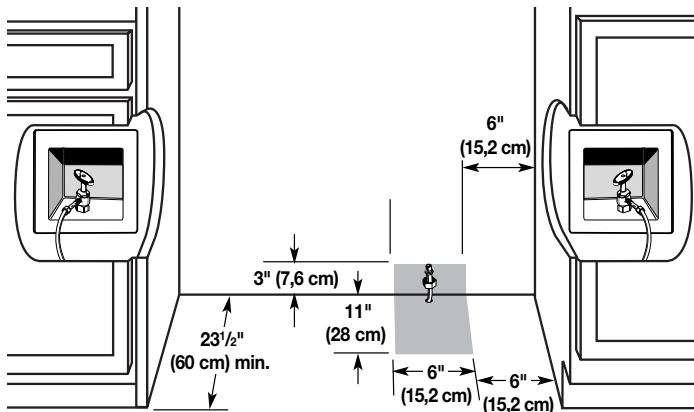
REMARQUE : Avant d'exécuter tout type d'installation, nettoyage ou remplacement d'une ampoule d'éclairage, mettre l'interrupteur général d'alimentation à OFF (arrêt) ou déconnecter le courant au boîtier de disjoncteurs.

Lorsque vous avez terminé, mettre l'interrupteur général d'alimentation à ON (marche) ou rétablir le courant au boîtier de disjoncteurs. Puis mettre de nouveau le réglage au réglage désiré.

Modèle	Largeur A (tel qu'illustré ci-dessus)
42 po (106 cm) 48 po (122 cm)	41 ½ po (105,4 cm) 47 ½ po (120,7 cm)

Spécifications de l'alimentation en eau

- Toutes les installations doivent être conformes aux exigences des codes locaux de plomberie.
- Le robinet d'arrêt devrait se trouver dans le placard inférieur, d'un côté ou l'autre du réfrigérateur ou à un autre endroit facilement accessible. Le côté droit est recommandé. Le trou d'accès à travers le placard de droite doit se trouver en deçà de ½ po (12,7 mm) du mur arrière.



- Si le robinet d'arrêt n'est pas dans les placards, la plomberie pour la canalisation d'alimentation peut être acheminée à travers le plancher ou le mur arrière. Un trou de ½ po (12,7 mm) devrait être percé de 6 po (15,2 cm) à 12 po (30,4 cm) du placard ou panneau du côté droit. Sur le plancher, le trou ne devrait pas se trouver à plus de 11 po (28 cm) du mur arrière. Sur le mur, le trou ne devrait pas se trouver à plus de 3 po (7,6 cm) du plancher. Voir "Spécifications de l'alimentation en eau".

Si cet emplacement recommandé de la canalisation d'eau est utilisé, il ne sera pas nécessaire d'acheter des pièces de plomberie additionnelles.

- Si un tube supplémentaire est nécessaire, utiliser un tube en cuivre et vérifier s'il y a des fuites. Installer les tuyaux en cuivre seulement là où les températures domestiques resteront au-dessus du point de congélation.
- Ne pas employer de robinet d'arrêt à étrier de 3/16 po (4,76 mm) ou de type à percer, ce qui réduit le débit d'eau et cause une obstruction plus facilement.

REMARQUE : Votre marchand de réfrigérateurs offre une trousse avec un robinet d'arrêt à étrier de ¼ po (6,35 mm), un raccord et un tube en cuivre. Avant l'achat, s'assurer que le robinet d'arrêt à étrier est conforme aux codes locaux de plomberie.

Arrivée d'eau froide

Connecter la machine à glaçons à une canalisation d'eau froide avec une pression d'eau de 15 à 100 lb-po² (103 à 690 kPa). Si vous avez des questions au sujet de la pression d'eau, contacter la compagnie de distribution d'eau.

INSTRUCTIONS D'INSTALLATION

Déballage du réfrigérateur

⚠ AVERTISSEMENT



Risque de basculement

Le réfrigérateur est lourd au sommet et bascule facilement lorsqu'il n'est pas complètement installé.

Garder les portes fermées avec un ruban adhésif jusqu'à l'installation complète du réfrigérateur.

Utiliser deux ou plus de personnes pour déplacer et installer le réfrigérateur.

Le non-respect de ces instructions peut causer un décès ou une blessure grave.

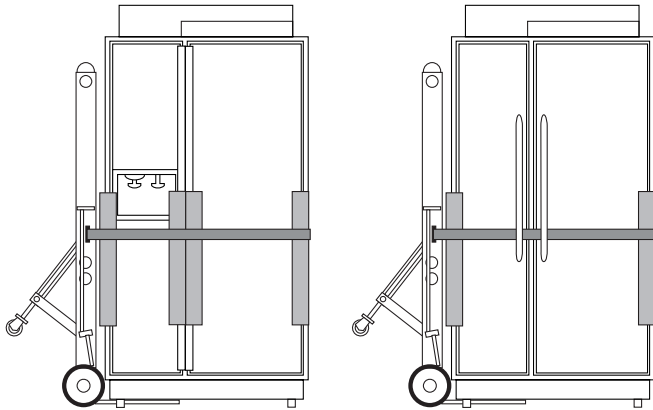
IMPORTANT :

- Ne pas ôter la pellicule protectrice avant que le réfrigérateur ne soit à l'emplacement de service.
 - Les quatre pieds de nivellement doivent toucher le plancher pour supporter et stabiliser le poids total du réfrigérateur.
 - Garder la pièce de carton ou de contreplaqué d'expédition sous le réfrigérateur jusqu'à son installation à l'emplacement de service.
1. Enlever et conserver le sachet de documents et le sachet de pièces fixés par du ruban adhésif sur la porte du réfrigérateur. Enlever les quatre brides (deux de chaque côté) fixant la base utilisée pour expédition sous le réfrigérateur.

REMARQUE : Ne pas enlever les rubans adhésifs et articles d'arrimage des portes avant que le réfrigérateur ne soit à son emplacement final.

2. Introduire le chariot sous le réfrigérateur, côté congélateur. Veiller à protéger les garnitures latérales et les poignées. À cette fin, placer les cornières de l'emballage par-dessus les garnitures et poignées. Serrer prudemment la sangle.

REMARQUE : Faire passer la sangle du chariot sous les poignées de la série de poignée galbée et Professional.



3. Placer des pièces de carton d'expédition sur le plancher lorsqu'on utilise un chariot pour faire entrer le réfrigérateur dans le domicile. Déplacer le réfrigérateur près de la cavité d'encastrement.

Réduction du rayon de basculement (si nécessaire)

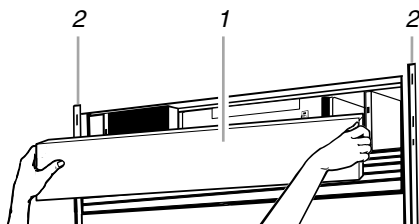
Avant d'apporter le réfrigérateur dans le domicile, s'assurer que la hauteur du plafond est suffisante pour mettre le réfrigérateur en position verticale. Voir "Réduction du rayon de basculement" dans la section "Exigences d'installation" et "Spécifications de design" pour plus d'informations.

Si vous n'avez pas une hauteur de plafond suffisante pour mettre le réfrigérateur en position verticale, le rayon de basculement peut être réduit en enlevant la grille supérieure et les garnitures latérales (voir le tableau suivant).

Modèle	Rayon de basculement réduit
42 po (106 cm)	88½ po (224,8 cm)
48 po (122 cm)	89¼ po (226,7 cm)

Panneaux de série personnalisée

1. Saisir les deux extrémités de la grille supérieure.
2. Pousser la grille tout droit vers le haut, puis tout droit vers l'extérieur. Poser la grille supérieure sur une surface molle.

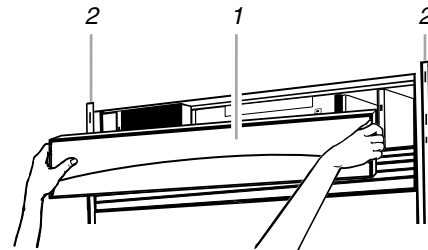


1. Grille supérieure
2. Garniture latérale de la caisse

3. Enlever les 6 vis qui fixent chaque garniture latérale de la caisse au réfrigérateur et enlever les garnitures latérales.
4. Mettre le réfrigérateur en position verticale. Placer d'abord le bord inférieur gauche du réfrigérateur sur le plancher, puis mettre le réfrigérateur debout et abaisser ensuite le côté droit du réfrigérateur sur le plancher.
5. Réinstaller la garniture et la grille supérieure après avoir retiré le chariot du réfrigérateur.

Séries à poignée galbée et à poignée Professional

1. Saisir les deux extrémités de la grille supérieure. Pousser la grille vers le haut, puis la tirer vers l'extérieur. La déposer sur une surface molle.



1. Grille supérieure
2. Garniture latérale de la caisse

2. Enlever les 6 vis qui fixent chaque garniture latérale de caisse au réfrigérateur et enlever les garnitures latérales.
3. Mettre le réfrigérateur debout en plaçant d'abord le bord gauche inférieur au sol, en mettant le réfrigérateur à la verticale, puis en abaissant le côté droit du réfrigérateur au sol.
4. Réinstaller la garniture et la grille supérieure après avoir retiré le chariot du réfrigérateur.

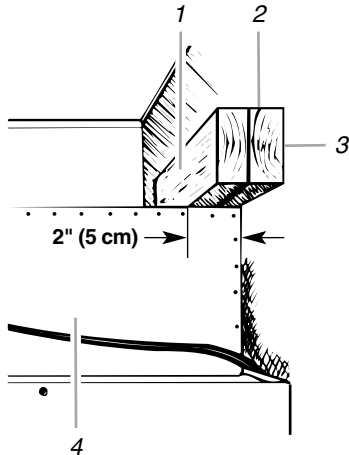
Installation de planches antibasculement

IMPORTANT :

- Le soffite massif doit se trouver en deçà de 1 po (2,5 cm) au plus au-dessus du réfrigérateur. Si le soffite massif se trouve à plus de 1 po (2,5 cm) ou si aucun soffite n'est disponible, procéder comme suit pour empêcher tout basculement du réfrigérateur en cours de service.
- On recommande la mise en place d'une ou de plusieurs planches avant l'installation du réfrigérateur.
- Il faut que la ou les planches soit(soient) assez longue(s) pour recouvrir complètement le couvercle du compresseur sur toute la largeur.
- Positionner la ou les planches de telle manière à ce que la surface inférieure soit à 84 po (213 cm) du plancher.
- Durant l'installation, soulever le réfrigérateur pour que la distance résiduelle entre le sommet du réfrigérateur et la surface inférieure de la ou des planche(s) antibasculement soit de ¼ po (6,5 mm) maximum. Veiller à ne pas écraser le couvercle du condenseur lors du soulèvement des pieds de nivellement arrière.

Installation des planches antibasculement

1. Marquer la position des poteaux de colombage sur le mur arrière de 80 à 90 po (203 - 229 cm) au-dessus du plancher.
2. Fixer solidement une ou deux planches de bois de 2 x 4 x 32 po (5 cm x 10 cm x 81 cm) sur les poteaux de colombage derrière le réfrigérateur. Utiliser 6 vis à bois n° 8 x 3 po (7,6 mm) ou plus longues. Les vis à bois doivent pénétrer dans les poteaux d'au moins 1½ po (3,8 cm). La ou les planche(s) doit(doivent) être placée(s) en chevauchement sur le couvercle du compresseur.



1. Centrer la planche à un maximum de ¼ po (6,35 mm) au-dessus du réfrigérateur.
2. Deux planches de 2 po x 4 po x 32 po (5 cm x 10 cm x 81 cm)
3. Fixer aux poteaux avec 6 vis n° 8 x 3 po (7,6 cm)
4. Couvercle du compresseur

Raccordement de la canalisation d'eau

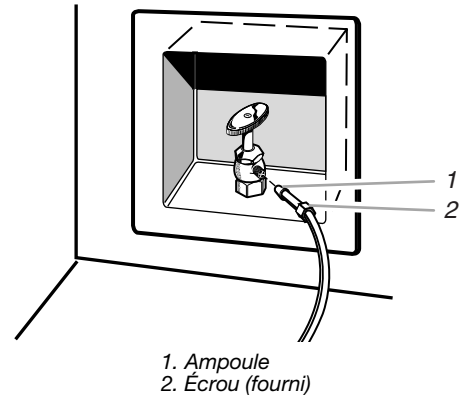
1. Enlever le ruban d'expédition du serpentin gris pour l'eau à l'arrière du réfrigérateur.
2. Avant de raccorder le tube en cuivre au réfrigérateur, purger le tube en cuivre en laissant couler au moins deux pintes (1,9 L) d'eau dans un seau pour éliminer toute particule de la canalisation.
3. Vérifier s'il y a des fuites autour du robinet d'arrêt à étrier. Ne pas serrer excessivement la bride ou la bague. Ceci provoquera l'écrasement du tube en cuivre.

4. Effectuer le raccordement au réfrigérateur.

Style 1 – Raccordement à la canalisation d'eau :

REMARQUE : Le robinet d'arrêt devrait se trouver dans le placard inférieur, d'un côté ou l'autre du réfrigérateur. Le côté droit est recommandé. Le trou d'accès à travers le placard de droite doit se trouver en deçà de ½ po (12,7 mm) du mur arrière.

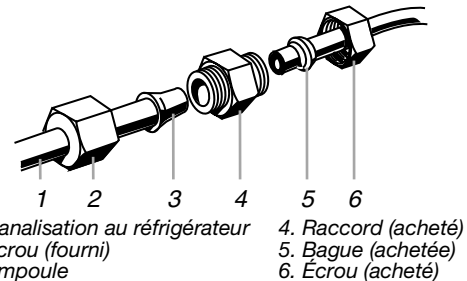
Pousser l'extrémité à ampoule du tube dans le robinet de débit d'eau aussi loin que possible. Glisser l'écrou vers l'avant et le serrer avec les doigts. Puis le serrer avec une clé deux tours de plus. Ne pas serrer excessivement.



Style 2 – Raccordement au robinet d'eau :

Autres pièces nécessaires : Raccord, bague et écrou.

Enfiler l'écrou acheté, puis la bague achetée, sur le tube. Pousser le tube dans le raccord acheté aussi loin que possible. Glisser l'écrou et la bague vers l'avant. Serrer l'écrou manuellement. Puis le serrer avec une clé deux tours de plus. Ne pas serrer excessivement.



5. OUVRIER le robinet d'arrêt.
6. Vérifier s'il y a des fuites. Serrer tous les écrous ou raccords (y compris les raccords de la valve d'entrée d'eau) qui coulent.

Brancher le réfrigérateur

⚠️ AVERTISSEMENT



Risque de choc électrique

Brancher sur une prise à 3 alvéoles reliée à la terre.

Ne pas enlever la broche de liaison à la terre.

Ne pas utiliser un adaptateur.

Ne pas utiliser un câble de rallonge.

Le non-respect de ces instructions peut causer un décès, un incendie ou un choc électrique.

1. Régler la commande à la partie supérieure de la caisse à la position OFF (Arrêt).
2. Brancher sur une prise à 3 alvéoles reliée à la terre.

Déplacement du réfrigérateur à l'emplacement final

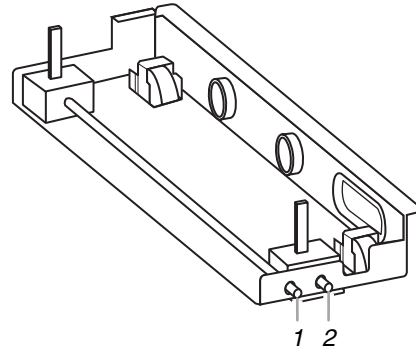
IMPORTANT : Pour éviter d'endommager le plancher, avant de déplacer le réfrigérateur, vérifier que les pieds sont soulevés (aucun contact avec le plancher) et que le réfrigérateur repose sur des roulettes.

1. Placer une feuille de carton ou de contreplaqué sous le réfrigérateur. Enlever le chariot.
2. Ne pas ôter la pellicule protectrice.
3. Pousser le réfrigérateur tout droit dans la cavité d'encastrement. Vérifier que la canalisation d'arrivée d'eau n'est pas déformée et que le cordon d'alimentation électrique est sur le dessus du réfrigérateur, près du couvercle.

Déploiement des pieds de nivellement

REMARQUE : Les quatre pieds de nivellement doivent toucher le plancher pour supporter et stabiliser le poids total du réfrigérateur. Les roulettes ne sont utilisées que pour le déplacement du réfrigérateur, et non pas pour un soutien permanent.

Utiliser une clé à douille pour faire tourner vers la droite les pieds de nivellement sur chaque côté du réfrigérateur jusqu'à ce que le poids du réfrigérateur soit en appui sur les pieds de nivellement. Les roulettes ne devraient pas être en contact avec le plancher. Pour éviter d'endommager la caisse, ne pas exercer un couple de plus de 50 po - lb (58 cm - kg) sur les pieds de nivellement.



1. Pieds de nivellement arrière
2. Pieds de nivellement avant

Installation des panneaux personnalisés

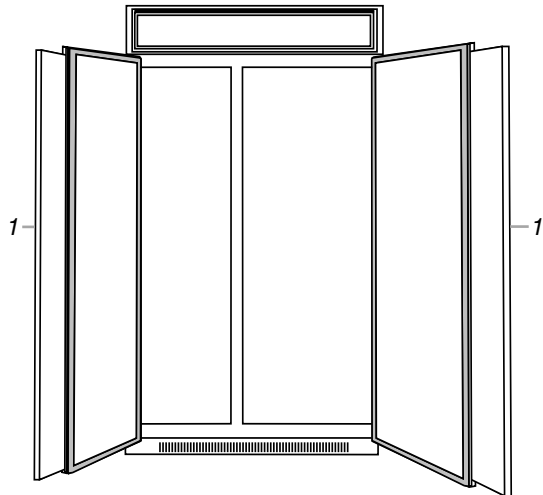
IMPORTANT : Thermador n'est pas responsable des opérations d'enlèvement ou d'installation des moulures ou panneaux décoratifs qui entraveraient l'accès au réfrigérateur lors d'une intervention de réparation.

REMARQUE : Pour installer des panneaux personnalisés, consulter les instructions d'installation fournies avec l'ensemble de panneaux sans garniture. Voir la section "Spécifications de design" pour plus d'informations.

Panneaux de porte

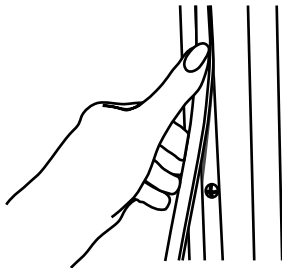
1. Enlever tous les rubans adhésifs et articles d'arrimage des portes du réfrigérateur et du congélateur.
2. Enlever les vis fixant les poignées sur le cadre de la porte.
3. Enfiler les panneaux décoratifs dans les cadres de porte.

4. Si nécessaire, usiner les panneaux de porte ou installer un panneau de remplissage entre les portes et les panneaux décoratifs. Voir la section "Panneaux personnalisés".

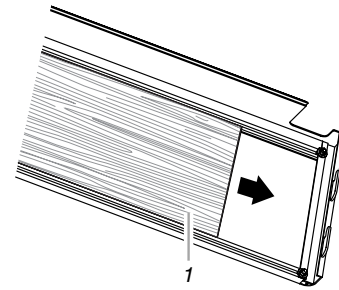


1. Panneaux

5. Réinstaller les poignées de porte. Vérifier que le sommet des deux poignées de porte est aligné.
6. Enlever la pellicule de protection des cache-vis. Enclencher les cache-vis dans la section de garniture de la poignée.

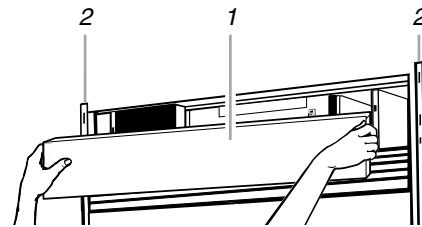


4. Glisser le panneau décoratif dans la tringle de la grille supérieure et réinstaller les embouts.



1. Panneau personnalisé

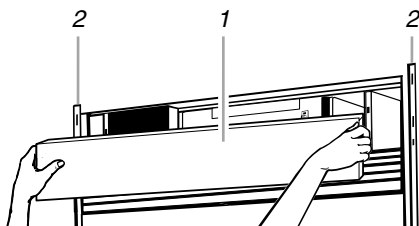
5. Réinstaller la grille supérieure dans les garnitures latérales et tirer légèrement le panneau vers le bas pour le verrouiller en place.



1. Grille supérieure
2. Garniture latérale de la caisse

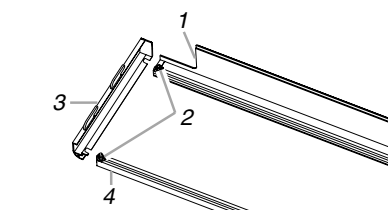
Panneau de la grille supérieure

1. Saisir les deux extrémités de la grille supérieure.
2. Pousser la grille tout droit vers le haut, puis tout droit vers l'extérieur. Poser la grille supérieure côté panneau vers le bas sur une surface de travail molle.



1. Grille supérieure
2. Garniture latérale de la caisse

3. Enlever un embout en desserrant les écrous et en faisant glisser et sortir l'embout.

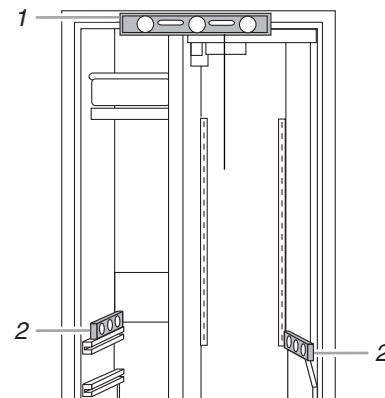


1. Tringle inférieure
2. Écrous
3. Embout
4. Tringle supérieure

Nivellement du réfrigérateur

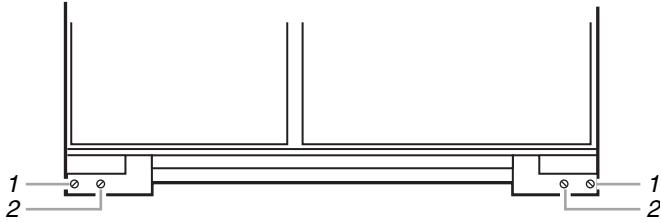
REMARQUE : Les panneaux de porte personnalisés ou de revêtement doivent être installés avant le nivellement.

1. Ouvrir les portes et placer un niveau sur le dessus du réfrigérateur tel qu'illustré. Vérifier si le réfrigérateur est d'aplomb de gauche à droite.



1. Niveau pour vérifier l'aplomb de gauche à droite
2. Niveau pour vérifier l'aplomb d'avant en arrière

- Utiliser les écrous de nivellement pour ajuster les pieds de nivellement jusqu'à ce que le réfrigérateur soit d'aplomb de gauche à droite.



1. Écrou de nivellement arrière
2. Écrou de nivellement avant

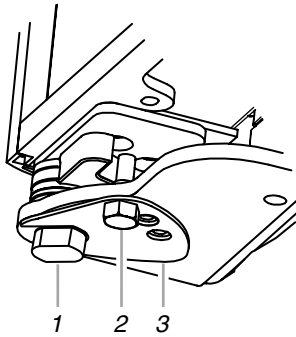
- Placer le(s) niveau(x) sur la ou les tablettes tel qu'illustré. Vérifier si le réfrigérateur est d'aplomb d'avant en arrière.
- Utiliser les écrous de nivellement pour ajuster les pieds de nivellement jusqu'à ce que le réfrigérateur soit d'aplomb de l'avant à l'arrière.
- Vérifier que les quatre pieds de nivellement sont au contact du plancher et supportent le poids total du réfrigérateur.
- Procéder à une vérification finale pour s'assurer que le réfrigérateur est d'aplomb.

Ajustement des portes

Ajustement de la hauteur des portes

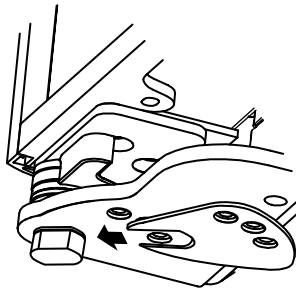
Suivre les étapes suivantes pour ajuster la hauteur des portes vers le haut ou vers le bas, après que les portes ont été mises d'aplomb.

- Ouvrir la porte du congélateur ou du réfrigérateur. Enlever la vis de butée de porte du dessous de la charnière inférieure.



1. Bague
2. Vis de la butée de la porte
3. Plaque de verrouillage

- Enlever la plaque de verrouillage tel qu'illustré.

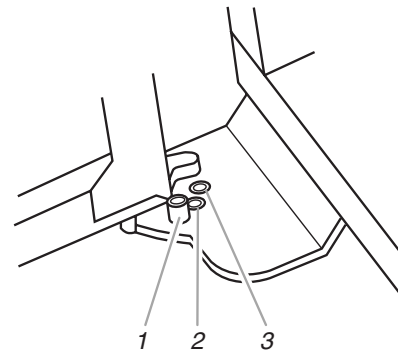


- Tourner la bague située sous la charnière inférieure en utilisant la clé plate. Tourner la bague vers la gauche (sens antihoraire) soulève la porte. Tourner la bague vers la droite (sens horaire) fait descendre la porte.
- Après l'ajustement, vérifier les portes pour s'assurer qu'elles sont égales en haut et en bas. Si les portes ne sont pas égales, continuer de tourner la bague pour ajuster la hauteur de la porte.
- Réinstaller la plaque de verrouillage.
- Tourner légèrement la bague pour aligner les trous de vis de la charnière et de la plaque de verrouillage.
- Réinstaller la ou les vis de la butée de porte et serrer.
- Procéder à une vérification finale pour s'assurer que les portes sont alignées et égales.

Ajustement de l'ouverture des portes

- S'assurer que la porte du réfrigérateur s'ouvre librement. Si la porte s'ouvre trop grand ou si vous installez des panneaux de revêtement personnalisés à l'aide d'un ensemble de panneaux sans garniture, vous devez ajuster l'ouverture des portes.
- Enlever la ou les vis de butée de porte (selon votre modèle) de la charnière inférieure. Voir "Ajustement de la hauteur des portes" plus haut dans cette section.
- Tenir la porte ouverte à une position de moins de 90°.
- Réinstaller la ou les vis de butée de porte dans la charnière inférieure et serrer.

REMARQUE : Si vous utilisez des panneaux de revêtement personnalisés avec un ensemble de panneaux sans garniture, la butée de la porte devrait être réinstallée à la position de 90° ou de 110°. Voir "Décalage de porte et de poignée de porte pour la série de panneaux personnalisés".



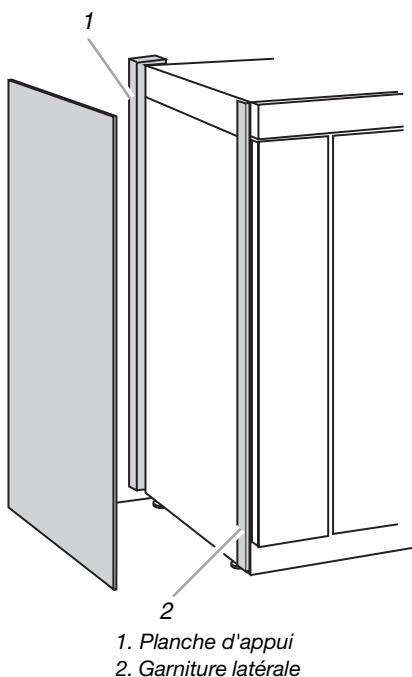
1. 130°
2. 110°
3. 90°

Installation du panneau latéral

Si la profondeur de la cavité d'encastrement est de 25 po (63,5 cm) ou plus, on peut insérer chaque panneau latéral dans la garniture latérale ou le fixer à l'extérieur de la garniture latérale.

IMPORTANT : Thermador n'est pas responsable des opérations d'enlèvement et de réinstallation des moulures ou panneaux décoratifs qui entraveraient l'accès au réfrigérateur lors d'une intervention de réparation.

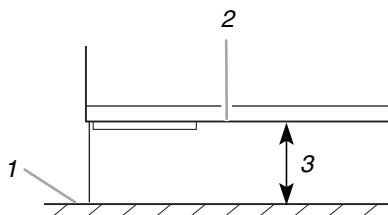
1. Pour la pièce de garniture latérale interne, insérer la rive avant du panneau latéral usiné la garniture.
2. Clouer la rive arrière du panneau sur la planche d'appui.



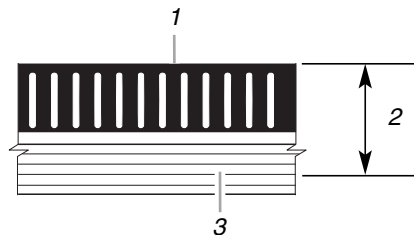
Installation de la grille de la base

La grille de la base comporte deux pièces pour permettre un ajustement personnalisé : la grille de la base elle-même et la plinthe. La plinthe peut être ajoutée à la grille de la base pour la prolonger jusqu'au plancher.

1. Ouvrir la porte du réfrigérateur et mesurer la distance entre le fond de la caisse et le plancher.



2. Mesurer cette même distance depuis le sommet de la grille de la base jusqu'à la plus proche rainure en "V" sur la plinthe. Entailler la plinthe dans la rainure en "V" avec un couteau, et briser la plinthe sur la ligne d'entaille.



3. Glisser la plinthe sur la grille de la base.
4. Fixer l'ensemble grille/plinthe sur la caisse avec les deux vis fournies.

Achever l'installation

1. Tourner le robinet de la canalisation d'eau à la position "Open" (ouvert).
2. Tourner le commutateur du réfrigérateur à la position ON (marche). Attendre quelques minutes. Vérifier les raccords de la canalisation d'eau pour voir s'il y a des fuites.
3. Retirer toutes les boîtes, tous les paquets de pièces et tous les matériaux d'emballage de l'intérieur du réfrigérateur. Voir la section "Nettoyage" dans le Guide d'utilisation et d'entretien pour les instructions. Ôter la pellicule protectrice des portes ou du châssis de la porte, selon le modèle.
4. Installer les tablettes et bacs dans les compartiments de réfrigération et de congélation.
5. Les commandes sont pré-réglées à l'usine au réglage moyen. S'assurer que le compresseur fonctionne bien et que toutes les lampes s'allument.
6. Purger le système d'eau avant l'utilisation. Voir la section "Préparation du système d'eau" dans le Guide d'utilisation et d'entretien.
7. Si la construction doit continuer après l'installation du réfrigérateur, régler les commandes à OFF (Arrêt).

Pour l'utilisation la plus efficace de votre nouveau réfrigérateur encastré, lire le Guide d'utilisation et d'entretien. Conserver les instructions d'installation et le Guide près du réfrigérateur encastré pour s'y référer facilement.

2300133

© 2003.
All rights reserved.

Todos los derechos reservados.
Tous droits réservés.

®Thermador is a Registered Trademark of BSH Home Appliances Corporation

®Thermador es una marca registrada de BSH Home Appliances Corporation

®Thermador est une marque de commerce déposée de BSH Home Appliances Corporation.

Thermador® reserves the right to make changes in models, features, and specifications without prior notice.

Thermador® se reserva el derecho de hacer cambios en los modelos, características y especificaciones sin previo aviso.

Thermador® se réserve le droit d'apporter des changements aux modèles, aux caractéristiques et aux spécifications sans préavis.

9/03

Printed in U.S.A.

Impreso en EE.UU.

Imprimé aux E.-U.