

# KitchenAid® Cabinet Depth, Side by Side Refrigerator

## PRODUCT MODEL NUMBERS

KSCS25MS

**Electrical:** A 115 Volt, 60 Hz., AC only 15- or 20-amp fused, grounded electrical supply is required. It is recommended that a separate circuit serving only your refrigerator be provided. Use an outlet that cannot be turned off by a switch. Do not use an extension cord.

**Water Supply:** A cold water supply with water pressure of between 30 and 120 psi (207 - 827 kPa) is required to operate the water dispenser and ice maker. If you have questions about your water pressure, call a licensed, qualified plumber.

If a reverse osmosis water filtration system is connected to your cold water supply, the water pressure to the reverse osmosis system needs to be a minimum of 40 to 60 psi (276 - 414 kPa).

The cabinet depth refrigerator can be installed into a recessed opening, at the end of cabinets or as a freestanding refrigerator.

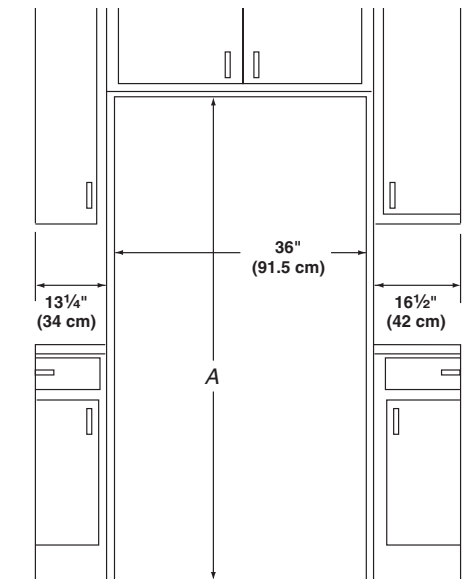
Do not install the refrigerator near an oven, radiator, or other heat source, nor in a location where the temperature will fall below 55°F.

## CABINET OPENING DIMENSIONS

■ Height dimensions are shown with the leveling legs extended to the minimum height of 1/4" (6.35 mm) below the refrigerator.

**NOTE:** When leveling legs are fully extended to 1" (25 mm) below the refrigerator, add 3/4" (19 mm) to the height dimensions.

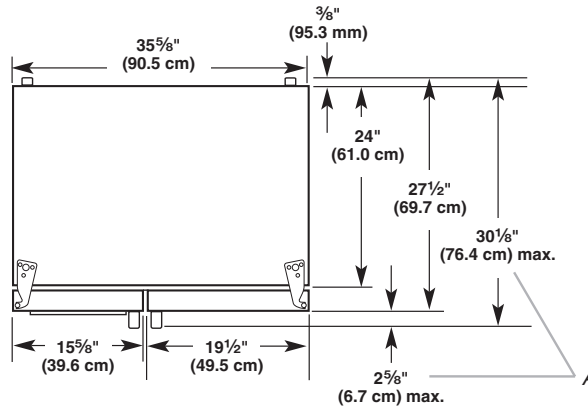
■ Minimum fixed wall position is 13-1/4" (34 cm) from the freezer door and 16-1/2" (42 cm) from the refrigerator door.



| Model size        | Height "A" Standard Cabinet | Height "A" Full-overlay* |
|-------------------|-----------------------------|--------------------------|
| 23 cu.ft. (654 L) | 69" (175.3 cm)              | 69 1/8" (175.6 cm)       |
| 25 cu.ft. (694 L) | 72" (182.9 cm)              | 72 1/8" (183.2 cm)       |

\*For full-overlay cabinet doors with a trim kit, the opening height must be adjusted as shown.

## OVERALL DIMENSIONS



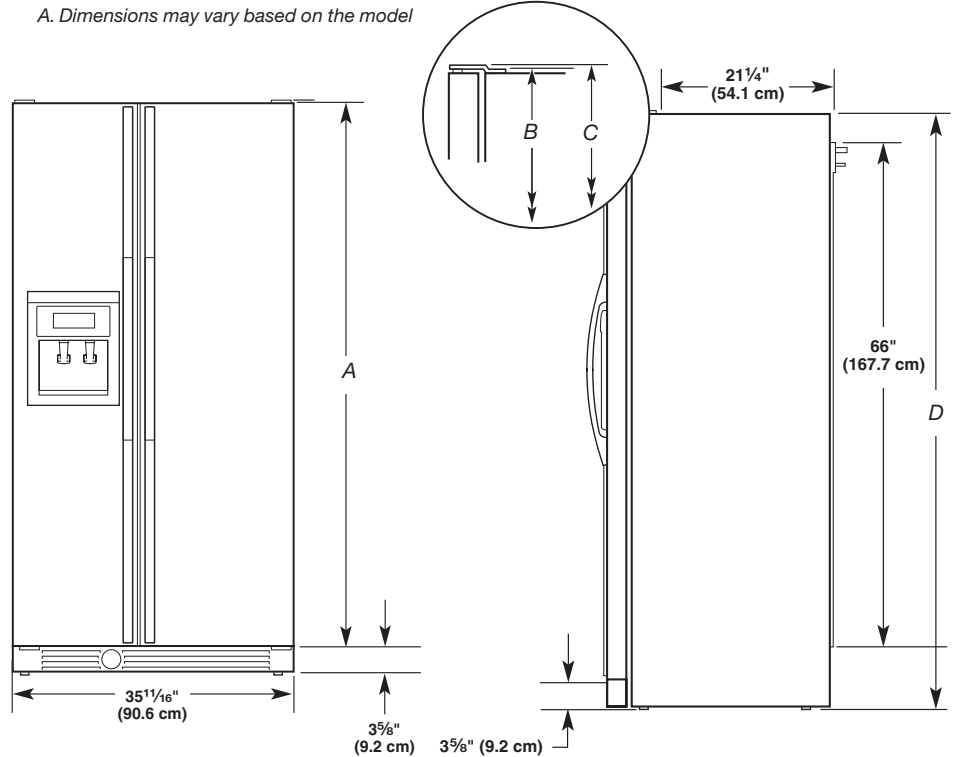
■ Height dimensions are shown with the leveling legs extended to the minimum height of 1/4" (6.35 mm) below the refrigerator.

When leveling legs are fully extended to 1" (25 mm) below the refrigerator, add 3/4" (19 mm) to the height dimensions.

■ The power cord is 66" (167.7 cm) long.

■ The water line attached to the back of the refrigerator is 78" (198.1 cm) long.

A. Dimensions may vary based on the model



| Model size        | Door Height "A"    | "B"                | "C"                | "D"                |
|-------------------|--------------------|--------------------|--------------------|--------------------|
| 23 cu.ft. (654 L) | 64 7/8" (164.8 cm) | 68 3/4" (174.6 cm) | 68 7/8" (175.0 cm) | 68 1/2" (174.0 cm) |
| 25 cu.ft. (694 L) | 67 3/4" (172.1 cm) | 71 3/4" (182.2 cm) | 71 7/8" (182.5 cm) | 71 1/2" (181.6 cm) |

## DOOR SWING DIMENSIONS

