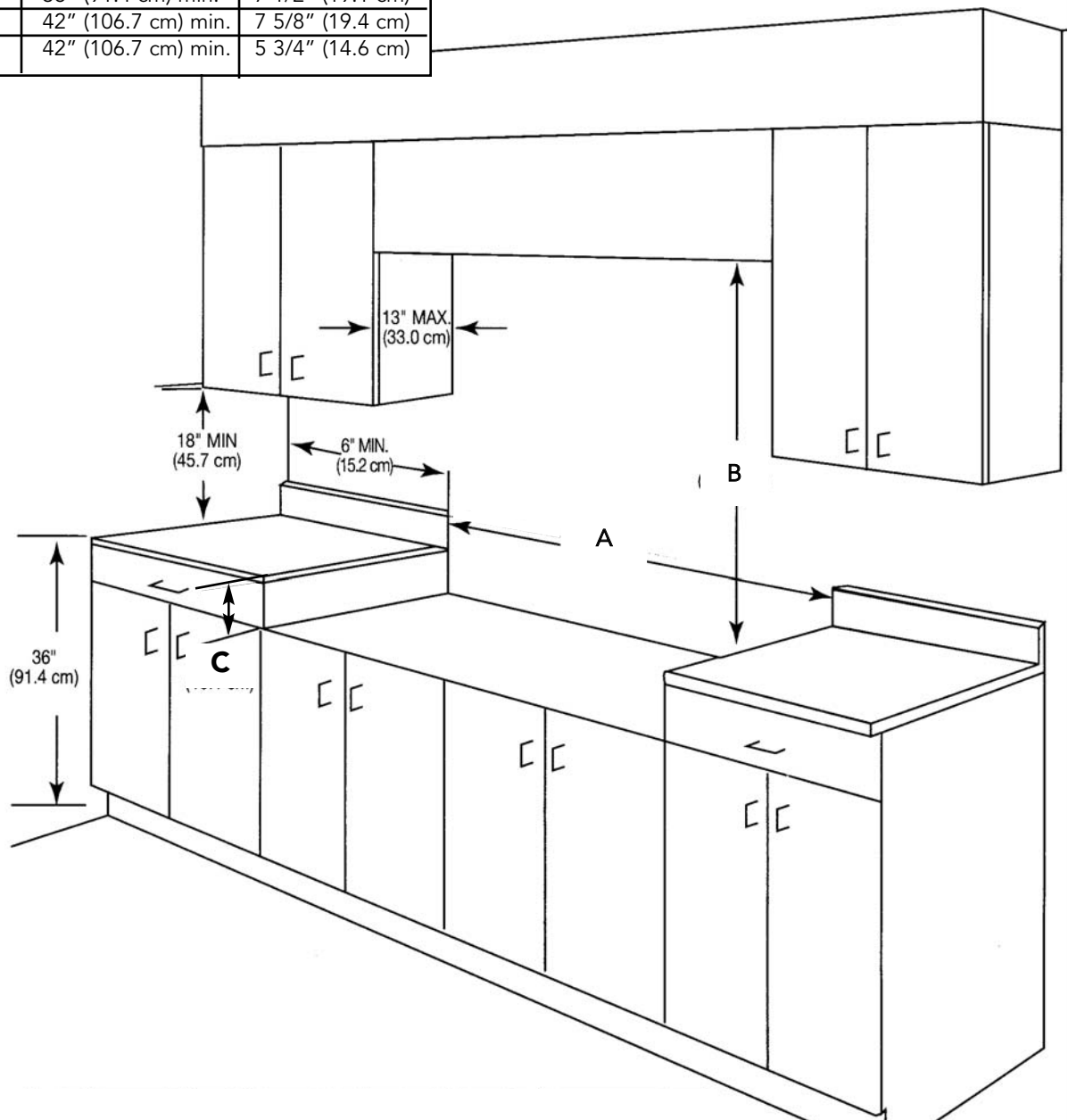


Proximity to Side Cabinet Installation

1. This rangetop may be installed directly adjacent to existing 36" (91.4 cm) high base cabinets. **IMPORTANT:** The top grate support **MUST** be 3/8" (.95 cm) above the adjacent base cabinet countertop.
2. The rangetop **CANNOT** be installed directly adjacent to sidewalls, tall cabinets, tall appliances, or other side vertical surfaces above 36" (91.4 cm) high. There must be a minimum of 6" (15.2 cm) side clearance from the rangetop to such combustible surfaces above the 36" (91.4 cm) counter height.
3. Within the 6" (15.2 cm) side clearance to combustible vertical surfaces above 36" (91.4 cm), the maximum wall cabinet depth must be 13" (33.0 cm) and wall cabinets within this 6" (15.2 cm) side clearance must be 18" (45.7 cm) above the 36" (91.4 cm) high countertop.
4. Wall cabinets above the rangetop must be a minimum of 36" (91.4 cm) for the open top burner models and a minimum of 42" (106.7 cm) for the sealed burner models above the rangetop cooking surface for the full width of the rangetop. This minimum height requirement does not apply if a rangehood is installed over the cooking surface.

Dim.	30" W. Models	36" W. Models	42" W. Models	48" W. Models	60" W. Models
A	30" (76.2 cm)	36" (91.4 cm)	42 1/8" (107.0 cm)	48" (121.9 cm)	59 5/8" (151.4 cm)

Dim.	B	C
VGRT Open Burners	36" (91.4 cm) min.	7 1/2" (19.1 cm)
VGRT Sealed Burners	42" (106.7 cm) min.	7 5/8" (19.4 cm)
DGRT Sealed Burners	42" (106.7 cm) min.	5 3/4" (14.6 cm)



GENERAL INFORMATION

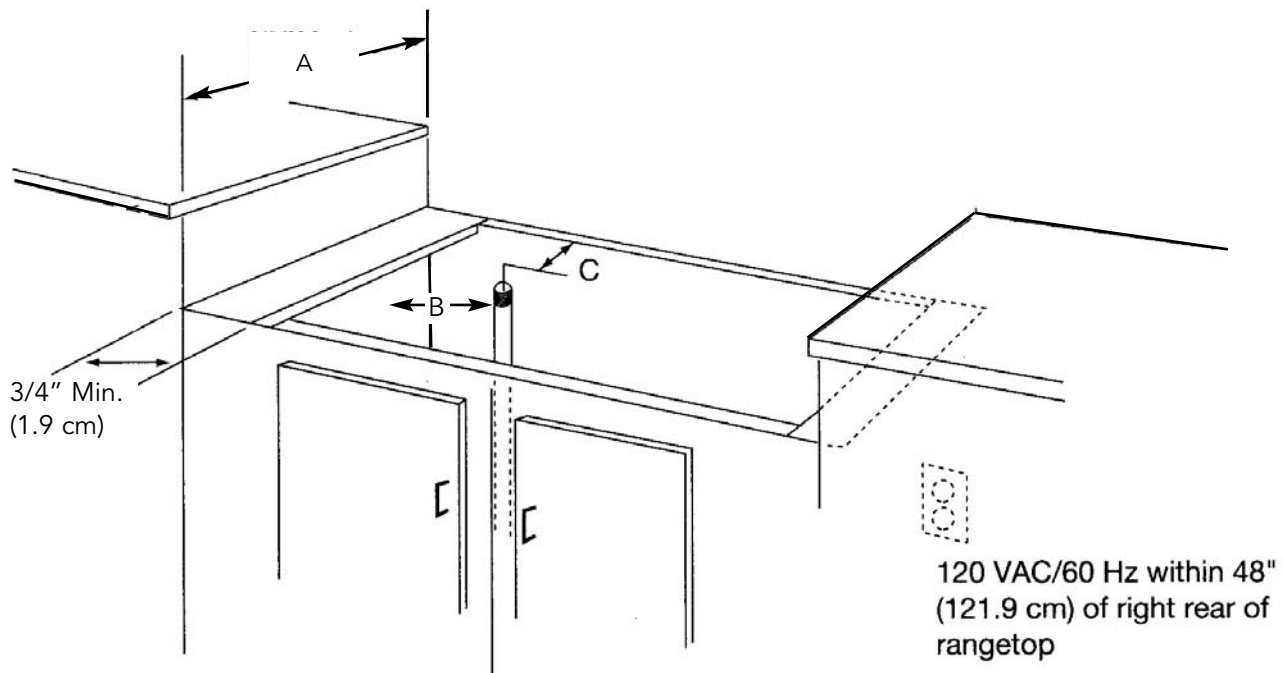
1. **WARNING:** The use of cabinets for storage above the appliance may result in a potential burn hazard. Combustible items may ignite, metallic items may become hot and cause burns. If a cabinet storage is to be provided the risk can be reduced by installing a rangehood that projects horizontally a minimum of 5" (12.7 cm) beyond the bottom of the cabinets.
2. All openings in the wall behind the appliance and in the floor under the appliance shall be sealed.
3. Keep appliance area clear and free from combustible materials, gasoline, and other flammable vapors.
4. Do not obstruct the flow of combustion and ventilation air.
5. Disconnect the electrical supply to the appliance before servicing.
6. When removing oven for cleaning and/or service;
 - A. Shut off gas at main supply
 - B. Disconnect AC power supply
 - C. Disconnect gas line to the inlet pipe.
 - D. Carefully remove the rangetop by pulling out of cabinet cutout.
 - E. When cleaning and/or service is complete, replace unit in cabinet cutout, reconnect gas line and power supply, and turn on gas at main supply.
7. **Electrical Requirement**
Listed on Specification sheet. Electrical installation should comply with national and local codes.
8. **Gas Manifold Pressure:**

Natural gas -	5.0" W.C.P.
LP/Propane -	10.0" W.C.P.

WARNING

Never use this appliance as a space heater to heat or warm the room. Doing so may result in carbon monoxide poisoning and over heating of the unit.

GAS INLET/ELECTRICAL LOCATION



	A	B	C
VGRT Models - 30", 36", 42", 48" W.	Min. 24" (61.0 cm) Max. 25 3/4 (65.4 cm)	3" (7.6 cm)	2 1/4" (5.7 cm)
VGRT Models - 60" W.	Min. 24" (61.0 cm) Max. 25 3/4 (65.4 cm)	14 3/8" (36.5 cm)	9/16" (1.8 cm)
DGRT Models - 30", 36" W.	Min. 24 1/2" (62.2 cm) Max. 26 1/8" (66.4 cm)	3" (7.6 cm)	2 1/4" (5.7 cm)

Basic Specifications

VGRT Models

Description	30" W. Models	36" W. Models	42" W. Models	48" W. Models	60" W. Models
Overall width	29 7/8" (759. cm)	35 7/8" (91.1 cm)	42" (106.7 cm)	47 7/8" (121.6 cm)	59 1/2" (151.1cm)
Overall height	To top of spider grate - 9 1/4" (23.5 cm)		(Open top Burners only)		
	To top of burner grate - 9 1/8" (23.2 cm)		(Sealed Burners only)		
	To top of island trim - 8 7/8" (22.5 cm)				
	To top of 6" backguard- 13 7/8" (35.2 cm)				
	To top of high shelf - 31 3/8" (79.7 cm)				
Overall depth from rear	To end of side panel - 24" (61.0 cm)				
	To end of control panel - 25 3/4" (65.4 cm)				
	To end of knobs - 27 3/4" (70.5 cm)				
Cutout width	30" (76.2 cm)	36" (91.4 cm)	42 1/8" (107 cm)	48" (121.9 cm)	59 5/8" (151.4 cm)
Cutout Height	Open top Burners - 7 1/2" (19.1 cm) (top of grate support should be 3/8" [1.0 cm] above countertop. Sealed Burners- 7 5/8" (19.4 cm) (top of side trim should be 3/8" [1.0 cm] above countertop.				
Cutout Depth	Minimum 24" (61.0 cm) Maximum 25 3/4" (65.4 cm)				
Electrical requirements	120 VAC/60 Hz 4ft. (121.9 cm), 3-wire cord with grounded 3-prong plug				
Gas requirements	Shipped natural gas standard; field convert to LP/Propane with standard convertible regulator; accepts standard residential 1/2" (1.3 cm) ID gas service line				
Maximum amp usage	.3 amps	6B - .6 amps 4G - 3.9 amps 4Q - .6 amps		6G - 4.2 amps 6Q - .6 amps 4G - 7.2 amps 4GQ- 4.2 amps 4K - .6 amps 4Q - .6 amps	6G - 7.8 amps 6GQ-4.2 amps
Surface burner rating	15,000 BTU Nat./13,500 BTU LP/Propane (4.4 kW Nat./4.0 kW LP/Propane)				
Wok Burner rating (If applicable)	N/A	N/A		27,500 BTU Nat./LP (8.2 kW Nat./LP	N/A
Griddle burner rating	N/A	12"/18" Wide 15,000 BTU Nat./13,500 BTU LP (4.4 kW / 4.0 kW)		24" Wide Two 15,000 BTU Nat./13,500 BTU LP (4.4 kW / 4.0 kW)	
Grill burner rating	N/A	12" Wide - 1 @ 18,000 BTU Nat. (5.3 kW)/ 16,000 BTU LP/Propane (4.7 kW) 24" Wide - 2 @ 15,000 BTU Nat. (4.4 KW) / 13,500 BTU LP/Propane (4.0 kW)			
Approximate Shipping Wt.	125 lbs. (56.3 kg)	6B-150 lb.(67.5kg) 4G - 160 lb.(72.0kg) 4Q - 155 lb.(69.8 kg)		6G -203 lb.(91.4kg) 6Q -198 lb.(89.1kg) 4G - 213 lb.(95.6kg) 4GQ-208 lb.(93.6 kg) 4K - 213 lb.(95.6 kg) 4Q - 198 lb.(89.1 kg)	6G - 256lb.(115.2kg) 6GQ-251 lb.(113.0kg)

Minimum clearances from adjacent combustible construction

- Cooking surface and below (36" [91.4 cm] and below)
 - Sides - 0"
 - Rear - 0" with backguard or high shelf; 0" with island trim and non-combustible rear wall; 6" (15.2 cm) with island trim and combustible rear wall.
 - Top grate support - 36" (91.4 cm)
- Above cooking surface (above 36" [91.4 cm])
 - Sides - 6" (15.2 cm)
 - Within 6" (15.2 cm) side clearance, wall cabinets no deeper than 13" (33.0 cm) must be minimum 18" (45.7 cm) above cooking surface.
 - Wall cabinets directly above product must be minimum 36" (91.4 cm) for open top burners and 42" (106.7 cm) for sealed burners above cooking surface.

*It is not recommended to install two or more units side by side.