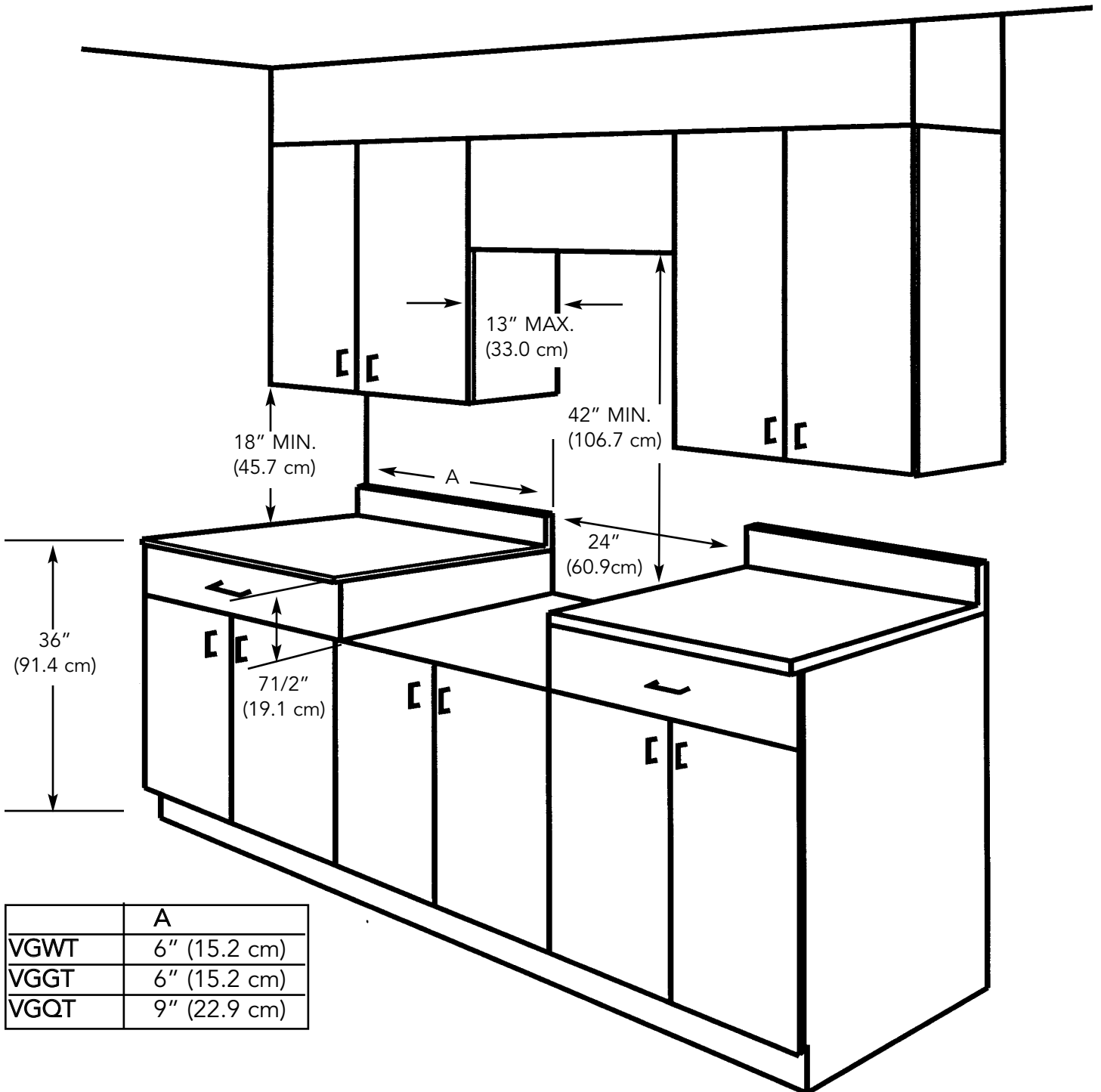


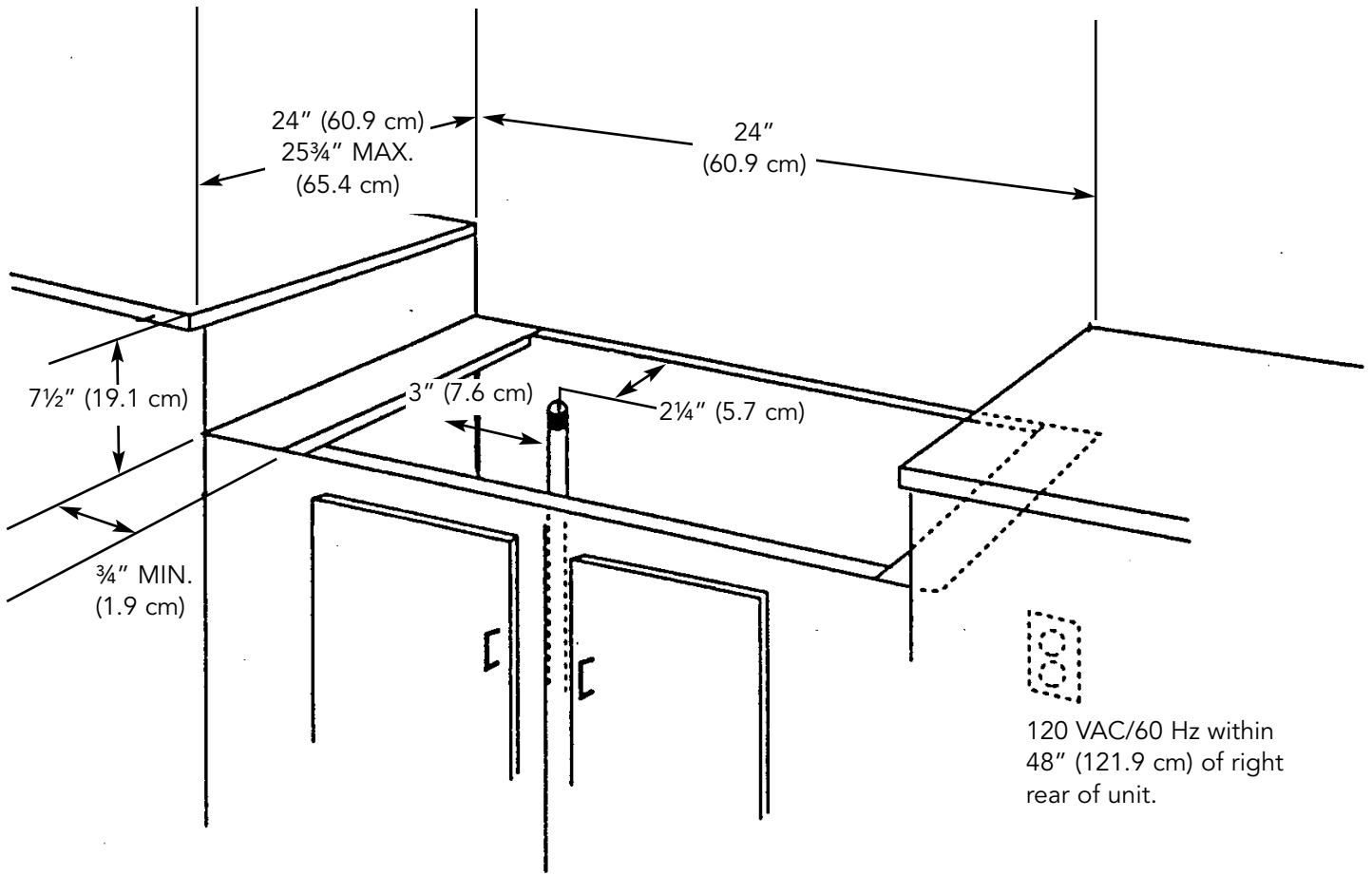
PROXIMITY TO SIDE CABINET INSTALLATION

The unit may be installed directly adjacent to the existing base cabinets. **IMPORTANT** - The side trim **MUST** be $\frac{3}{8}$ " (.95 cm) above the adjacent base cabinet countertop. The unit **CANNOT** be installed directly adjacent to sidewalls, tall appliances, or other side vertical surfaces above 36" (91.4 cm) high. There must be a minimum of 6" (15.2 cm) side clearance for the VGWT/VGGT models and 9" (22.9 cm) side clearance for the VGQT models to such combustible surfaces above 36" (91.4 cm) counter height. Within the side clearance to combustible vertical surfaces above 36" (91.4 cm), the maximum wall cabinet depth must be 13" (33.0 cm) and wall cabinets within this side clearance must be 18" (45.7 cm) above the 36" (91.4 cm) high countertop. The wall cabinet above the appliance must be a minimum of 42" (106.7 cm) above the appliance cooking surface for a full width of the unit.

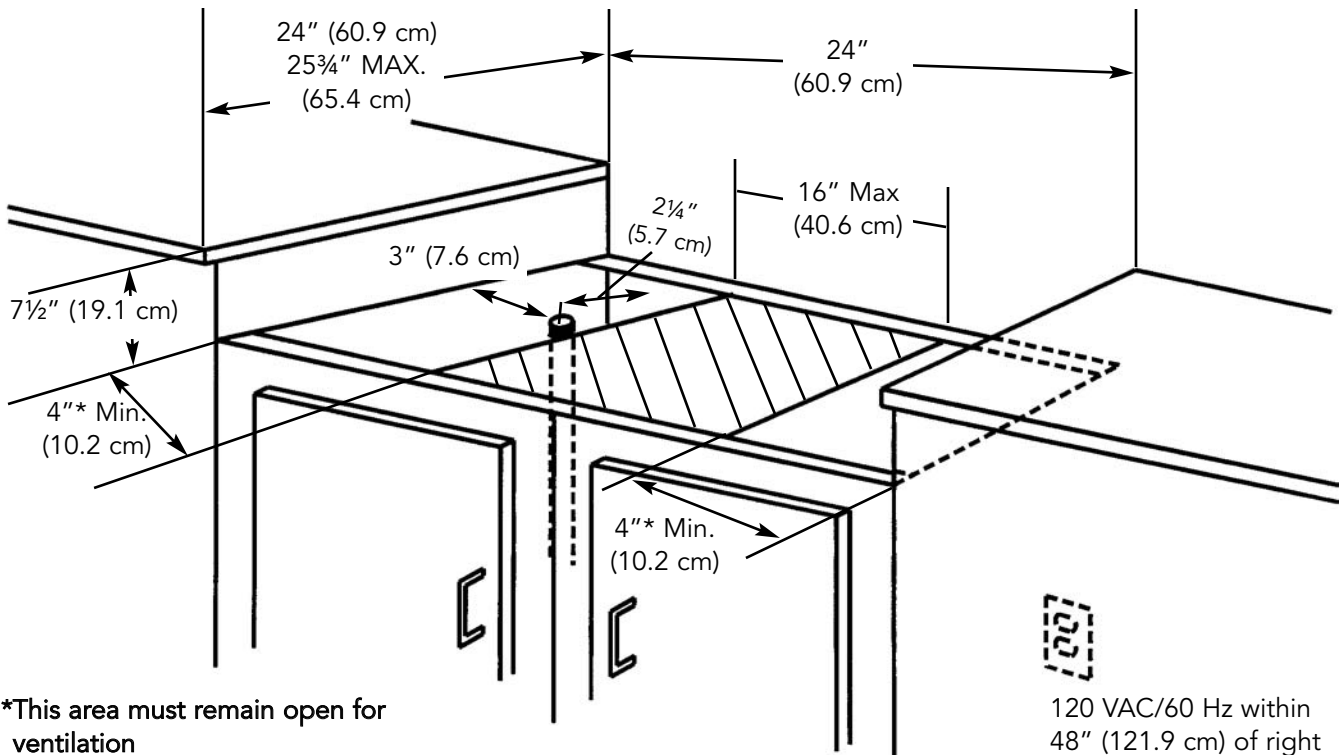


	A
VGWT	6" (15.2 cm)
VGGT	6" (15.2 cm)
VGQT	9" (22.9 cm)

CABINET CUTOUT DIMENSIONS - For VGWT and VGGT Models



CABINET CUTOUT DIMENSIONS - For VGQT Model Only



*This area must remain open for ventilation

BASIC SPECIFICATIONS

Description	VGWT240	VGGT240	VGQT240
Cutout Width	24" (61.0 cm)		
Cutout Height	7 1/2" (19.1 cm) (Top of grate support should be 3/8" [.95 cm] above countertop.)		
Cutout Depth	Minimum - 24" (61.0 cm) Maximum - 25 3/4" (65.4 cm)		
Overall Width	23 7/8" (60.6 cm)		
Overall Height from Bottom	To cooking surface - 7 7/8" (20.0 cm) To top of island trim - 8 7/8" (22.5 cm) To top of backguard - 13 7/8" (35.2 cm)		
Overall Depth from Rear	To end of side panel - 24" (61.0 cm) To end of control panel - 25 3/4" (65.4 cm) To end of knobs - 27 3/4" (70.5 cm)		
Gas Requirements	Shipped natural gas standard; field convert to LP/Propane with standard convertible regulator; accepts standard residential 1/2" (1.3 cm) I.D. gas service line.		
Electrical Requirements	120 VAC/60 Hz - 4 ft. (121.9 cm), 3-wire cord with grounded 3-prong plug attached to product.		
Maximum amp usage	.08 amps	7.2 amps	0.5 amps
Burner Rating	27,500 BTU NAT./ 27,500 BTU LP	(2) 15,000 BTU NAT./ 13,500 BTU LP (ea.)	(2) 15,000 BTU NAT. 14,000 BTU LP (ea.)
Approximate Shipping Weight	146 lbs. (65.7 kg)	160 lbs. (72.0 kg)	160 lbs. (72.0 kg)

Minimum Clearances from Adjacent Combustible Construction

- Cooking surface and below (36" [91.4 cm] and below)
 - Sides - 0"
 - Rear - 0" with backguard; 0" with island trim and non-combustible rear wall; 6" (15.2 cm) with island trim and combustible rear wall
 - Top grate support - 3/8" (1.0 cm) above countertop
- Above cooking surface (above 36" [91.4 cm])
 - Sides - VGWT/VGGT - 6" (15.2 cm); VGQT - 9" (22.9 cm)
 - Within the side clearance, wall cabinets no deeper than 13" (33.0 cm) must be minimum 18" (45.7 cm) above cooking surface.
- Wall cabinets directly above product must be minimum 42" (106.7 cm)