



# Bottom Freezer Refrigerators

**Safety Instructions** .....2, 3

**Operating Instructions**

Automatic Icemaker .....20  
Care and Cleaning .....21, 22  
Control for LCD Models .....4-11  
Control for Non-LCD Models ....12, 13  
Crispers and Pans .....18  
Dispenser .....14  
Freezer .....19  
Fresh Food Storage Options ....16, 17  
Replacing the Light Bulbs .....23  
Water Filter .....15

**Installation Instructions**

Installing the Refrigerator .....26-33  
Installing the Water Line .....34-36  
Preparing to Install  
the Refrigerator .....24, 25

**Troubleshooting Tips** .....37-41

Normal Operating Sounds .....37

**Consumer Support**

Consumer Support .....Back Cover  
Performance Data Sheet .....49  
Product Registration  
for Canadian Customers .....45, 46  
Product Registration  
for U.S. Customers .....43, 44  
State of California Water  
Treatment Device Certificate .....50  
Warranty for Canadian  
Customers .....48  
Warranty for U.S. Customers .....47

*Write the model and serial numbers here:*

**Model #** \_\_\_\_\_

**Serial #** \_\_\_\_\_

Find these numbers on a label on the left side, near the middle of the refrigerator compartment.

**Owner's Manual and Installation Instructions**

Profile™ Model 26

Congélateur inférieur

## Réfrigérateurs

**Manuel d'utilisation et d'installation**

La section française commence à la page 51

Congelador inferior

## Refrigeradores

**Manual del propietario y instalación**

La sección en español empieza en la página 95

# IMPORTANT SAFETY INFORMATION. READ ALL INSTRUCTIONS BEFORE USING.

## ⚠ WARNING!

Use this appliance only for its intended purpose as described in this Owner's Manual.



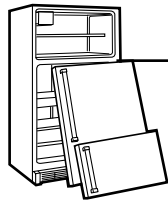
## SAFETY PRECAUTIONS

When using electrical appliances, basic safety precautions should be followed, including the following:

- This refrigerator must be properly installed and located in accordance with the Installation Instructions before it is used.
  - Do not allow children to climb, stand or hang on the shelves in the refrigerator. They could damage the refrigerator and seriously injure themselves.
  - Do not touch the cold surfaces in the freezer compartment when hands are damp or wet. Skin may stick to these extremely cold surfaces.
  - Do not store or use gasoline or other flammable vapors and liquids in the vicinity of this or any other appliance.
  - Keep fingers out of the "pinch point" areas; clearances between the doors and between the doors and cabinet are necessarily small. Be careful closing doors when children are in the area.
  - In refrigerators with automatic icemakers, avoid contact with the moving parts of the ejector mechanism, or with the heating element that releases the cubes. Do not place fingers or hands on the automatic icemaking mechanism while the refrigerator is plugged in.
  - Unplug the refrigerator before cleaning and making repairs.
- NOTE:** We strongly recommend that any servicing be performed by a qualified individual.
- Do not refreeze frozen foods which have thawed completely.

## ⚠ DANGER! RISK OF CHILD ENTRAPMENT

### PROPER DISPOSAL OF THE REFRIGERATOR



Child entrapment and suffocation are not problems of the past. Junked or abandoned refrigerators are still dangerous...even if they will sit for "just a few days." If you are getting rid of your old refrigerator, please follow the instructions below to help prevent accidents.

#### **Before You Throw Away Your Old Refrigerator or Freezer:**

- Take off the doors.
- Leave the shelves in place so that children may not easily climb inside.

#### **Refrigerants**

All refrigeration products contain refrigerants, which under federal law must be removed prior to product disposal. If you are getting rid of an old refrigeration product, check with the company handling the disposal about what to do.

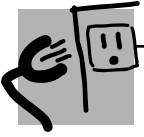


## USE OF EXTENSION CORDS

Because of potential safety hazards under certain conditions, we strongly recommend against the use of an extension cord.

However, if you must use an extension cord, it is absolutely necessary that it be a UL-listed (in the United States) or a CSA certified (in Canada), 3-wire grounding type appliance extension cord having a grounding type plug and outlet and that the electrical rating of the cord be 15 amperes (minimum) and 120 volts.

## **⚠ WARNING!**



### **HOW TO CONNECT ELECTRICITY**

*Do not, under any circumstances, cut or remove the third (ground) prong from the power cord. For personal safety, this appliance must be properly grounded.*

The power cord of this appliance is equipped with a 3-prong (grounding) plug which mates with a standard 3-prong (grounding) wall outlet to minimize the possibility of electric shock hazard from this appliance.

Have the wall outlet and circuit checked by a qualified electrician to make sure the outlet is properly grounded.

Where a standard 2-prong wall outlet is encountered, it is your personal responsibility and obligation to have it replaced with a properly grounded 3-prong wall outlet.

The refrigerator should always be plugged into its own individual electrical outlet which has a voltage rating that matches the rating plate.

This provides the best performance and also prevents overloading house wiring circuits which could cause a fire hazard from overheated wires.

Never unplug your refrigerator by pulling on the power cord. Always grip plug firmly and pull straight out from the outlet.

Repair or replace immediately all power cords that have become frayed or otherwise damaged. Do not use a cord that shows cracks or abrasion damage along its length or at either end.

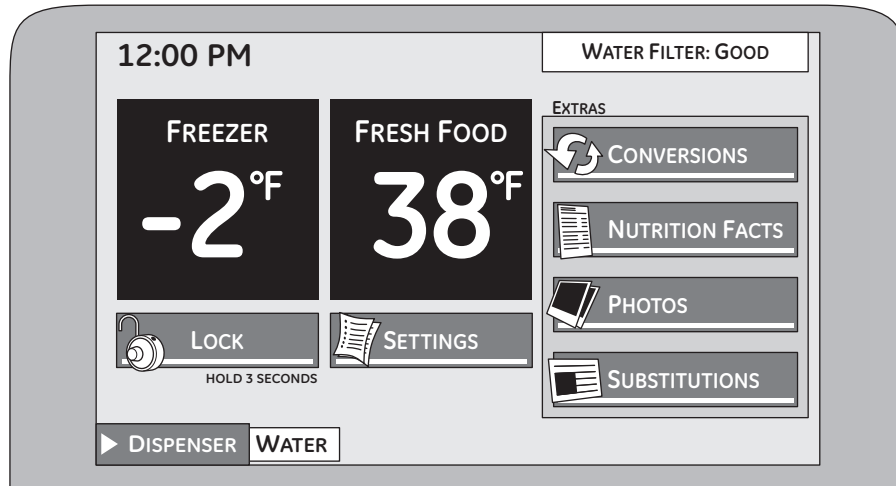
When moving the refrigerator away from the wall, be careful not to roll over or damage the power cord.



**READ AND FOLLOW THIS SAFETY INFORMATION CAREFULLY.**

**SAVE THESE INSTRUCTIONS**

## About the 7" control panel for LCD models.



**NOTE:** The refrigerator is shipped with protective film covering the temperature controls. If this film was not removed during installation, remove it now.

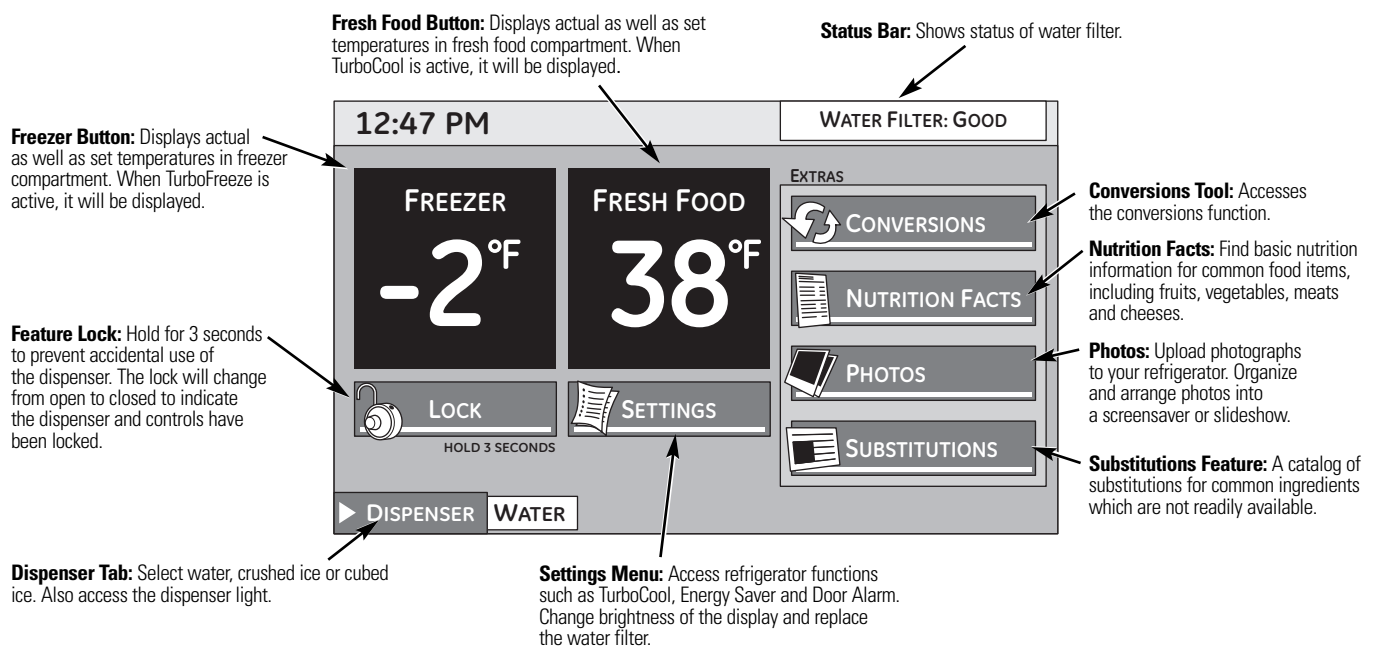
The temperature controls are preset in the factory at **38°F** for the refrigerator compartment and **-2°F** for the freezer compartment. Allow 24 hours for the temperature to stabilize to the preset recommended settings.

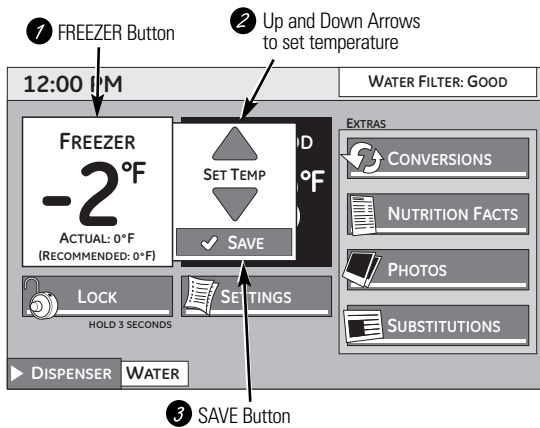
The temperature controls can display both the **SET** temperature as well as the actual temperature in the refrigerator and freezer. The actual temperature may vary slightly from the **SET** temperature based on usage and operating environment.

Reset the LCD screen at any time by inserting a paper clip into the small hole next to the SD card slot under the front edge of the dispenser opening.

### The Home Screen

The **HOME** screen is the default display on the refrigerator. From this screen you can change the fresh food and freezer temperatures, select the desired ice and water dispenser setting and access other functions as listed below. To return to this screen at any time, press the **HOME** button in the lower right hand corner of the screen.



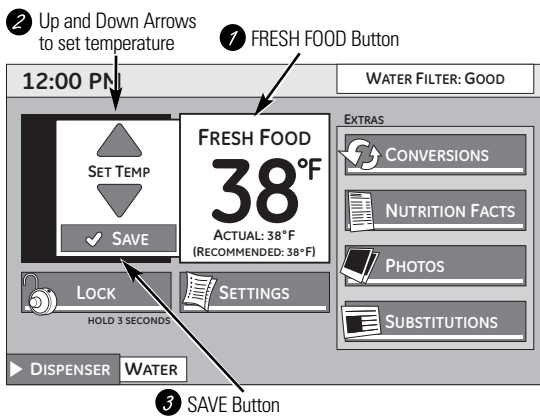


## Home Screen

### FREEZER Temperature:

To change the freezer compartment temperature, press the **FREEZER** button and use the **UP** or **DOWN** arrow keys until the desired temperature appears on the screen. Press **SAVE** to confirm the selection. The control will display both the actual and set temperature until the set temperature is reached. The actual temperature may vary slightly from the SET temperature, based on usage and operating environment.

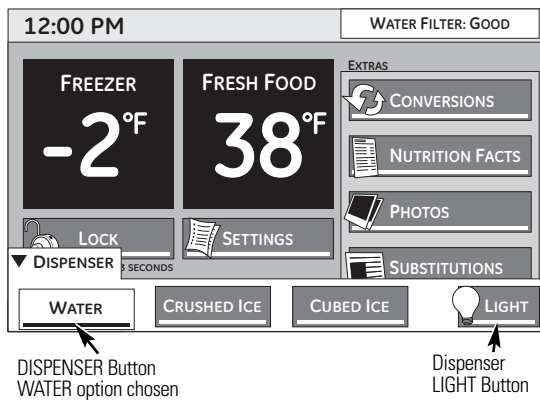
Each time you adjust the controls, allow 24 hours for the refrigerator to reach the set temperature.



### FRESH FOOD Compartment Temperature:

To change the fresh food compartment temperature, press the **FRESH FOOD** button and use the **UP** or **DOWN** arrow keys until the desired temperature appears on the screen. Press **SAVE** to confirm the selection. The control will display both the actual and set temperature until the set temperature is reached. The actual temperature may vary slightly from the SET temperature, based on usage and operating environment.

Each time you adjust the controls, allow 24 hours for the refrigerator to reach the set temperature.



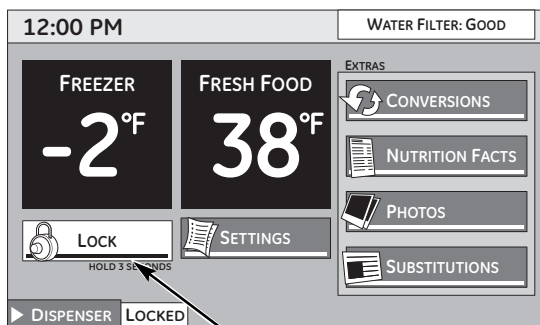
### DISPENSER:

The refrigerator can dispense water, crushed ice or cubed ice through the dispenser. To make a selection, press the **DISPENSER** button and choose **WATER**, **CRUSHED ICE** or **CUBED ICE**. After the selection has been made, press a glass against the dispenser paddle.

**NOTE:** The **DISPENSER** button is available from almost every feature screen.

### Dispenser LIGHT:

The dispenser light default setting is **OFF**. When the dispenser paddle is pushed, the light automatically comes on (off after 5 seconds when pad is released). To turn the light on manually, press the **LIGHT** button. The dispenser light will stay on until the **LIGHT** button is pressed again.



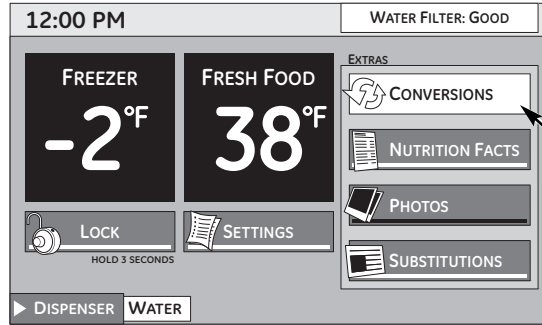
### LOCK:

To prevent accidental use of the control or dispenser, the control is equipped with a lock feature. When locked, the dispenser and LCD functions are not available. Press and hold the **LOCK** button for 3 seconds to lock or unlock the dispenser.



LOCK Button  
Press and Hold for  
3 seconds to Lock  
or Unlock

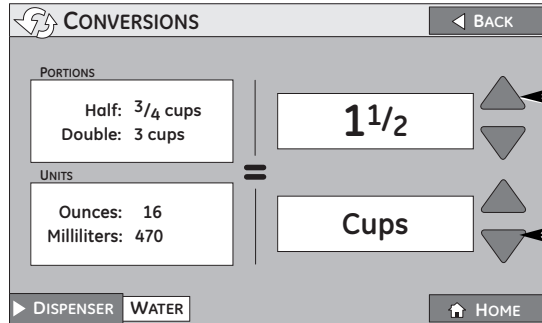
# Screen functions.



## CONVERSIONS

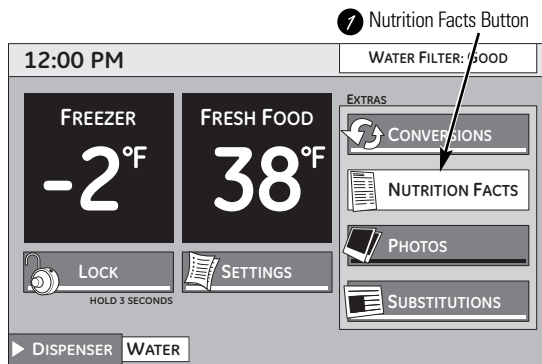
Press the **CONVERSIONS** button on the **HOME** screen to convert from one unit and/or value to another. Use the **UP** and **DOWN** arrow keys to choose the amount and/or units needed.

1 Conversions Button



2 Choose portion

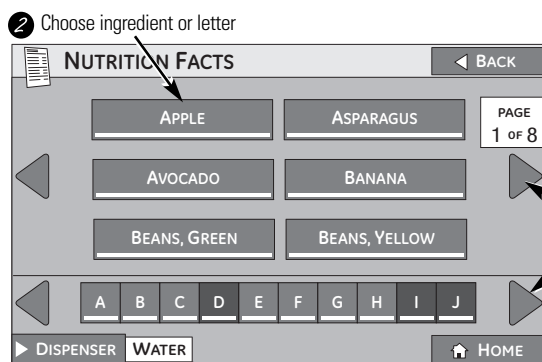
3 Choose unit



1 Nutrition Facts Button

## NUTRITION FACTS

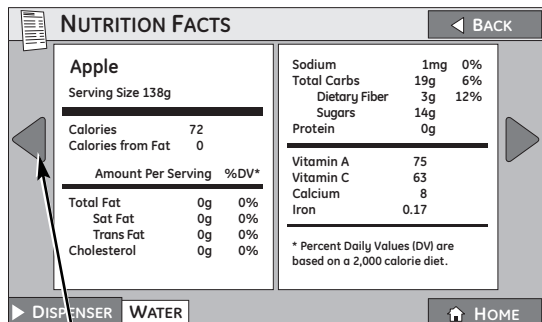
Press the **NUTRITION FACTS** button on the **HOME** screen to see nutrition information. Six options along with an alphabet display are shown on the screen. Select one of these ingredients or scroll by page or alphabet character to proceed. The **LEFT** and **RIGHT** arrow keys on the display allow you to scroll left or right on the top or bottom display. To go back to the **HOME** screen, press the **HOME** button.



2 Choose ingredient or letter

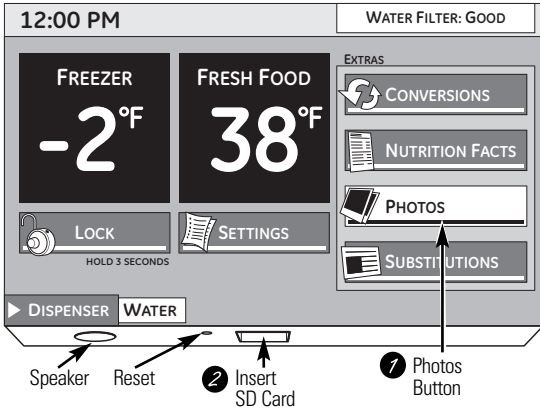
Page Number

3 Scroll Page or Alphabet



4 Scroll Right

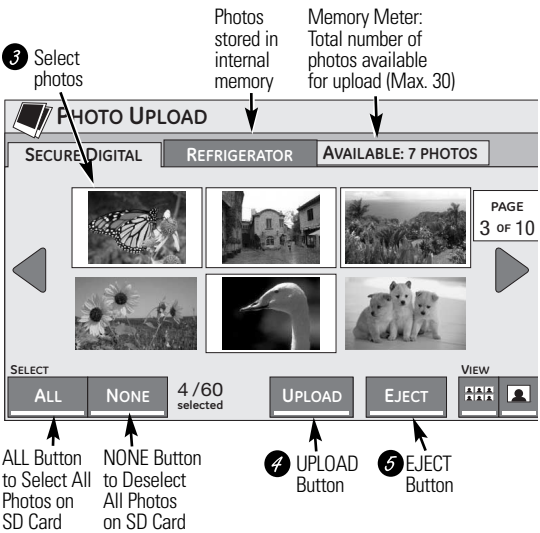
6 Scroll Left



**PHOTOS**

Use the **PHOTOS** button to upload and display favorite photos that can be used as a 15-minute slide show or as a screen saver. The screen saver shows on the LCD screen after 2 minutes of inactivity. After 15 minutes, the backlight will go out. If the slide show is selected instead of the screen saver, the photos will scroll through in a slide show for 15 minutes before the backlight goes out.

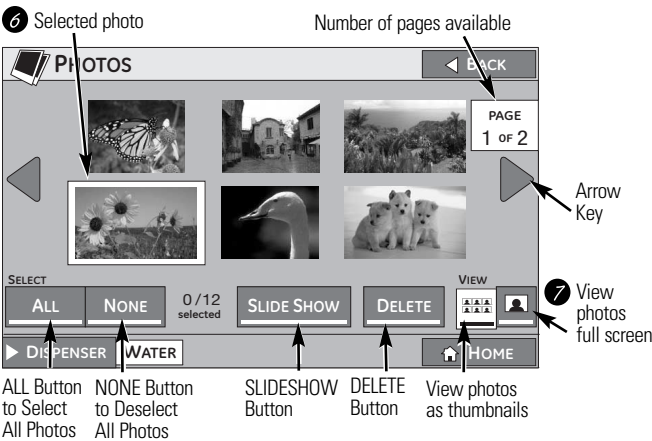
Select the **PHOTOS** button on the **HOME** screen to see default photos and to begin the process of uploading photos.



**UPLOADING PHOTOS**

To upload photos, insert an SD card into the slot below the display. Up to 100 photos (6 per page) from the SD card are displayed as thumbnails in chronological order. Up to 30 photos can be uploaded. Photos can be selected one at a time on the screen or by using the **ALL** button if all photos (30 max) from the SD card are to be uploaded. To deselect all photos, select the **NONE** button. When photos have been selected, press the **UPLOAD** button. Uploading 30 photos will take between 3 and 16 minutes. The **CANCEL** button can be pressed at any time to stop the uploading process. When the upload is complete, the display will show **UPLOAD COMPLETE**. Select the **EJECT** button to eject the SD card and wait to be prompted to remove the card. If the card is removed without pressing the **EJECT** button, there is the possibility of damaging the files on the SD card. When the SD card is removed, the display returns to the **PHOTOS** screen.

**NOTE:** The dispenser will not work during photo upload.



**SELECTING PHOTOS**

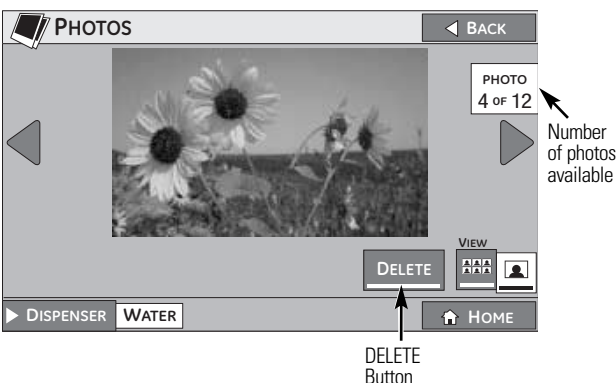
The **PHOTOS** screen will display 6 thumbnail photos or you can choose the full screen option. Navigate between screens using the **LEFT** and **RIGHT** arrow keys on the sides of the display. On the thumbnail screen, select photos one at a time by touching that photo, select all of the photos by selecting the **ALL** button or deselect all by selecting the **NONE** button.

**SLIDESHOW**

Select **SLIDE SHOW** on the **PHOTOS** screen to view uploaded photos in a slide show from newest to oldest. (This does **NOT** set the slide show as the screen saver. That is done in the **SYSTEMS** section.)

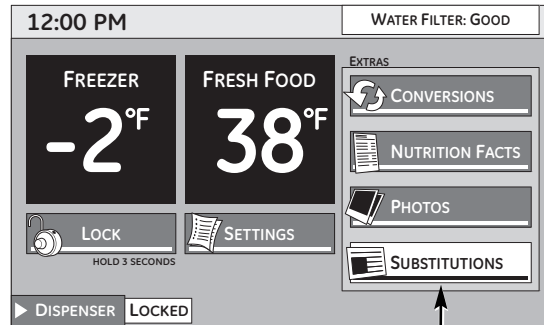
**DELETING PHOTOS**

With photos selected that you want to delete, select the **DELETE** button from either the thumbnail screen or the full screen. The **ALL** button can be used with the **DELETE** feature. You will be given an opportunity to **CANCEL** the action before the photos are deleted.



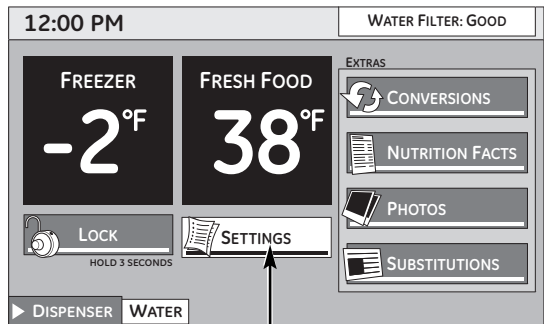
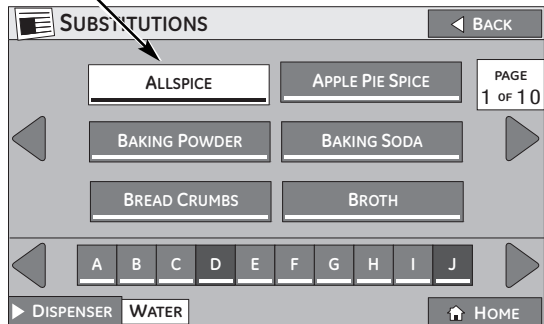


## Screen functions.



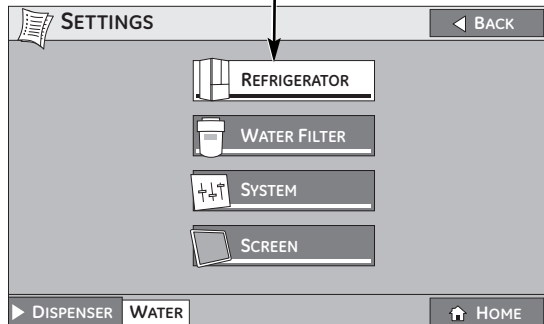
2 Select an ingredient

7 SUBSTITUTIONS Button



7 SETTINGS Button

2 REFRIGERATOR Button



## SUBSTITUTIONS

Select the **SUBSTITUTIONS** button on the **HOME** screen. The screen displayed gives tips for using substitutions in recipes. Continue on to the next screen where 6 ingredients per page are displayed in the upper section. Select an ingredient or use the **LEFT** and **RIGHT** arrow keys to move from page to page. The lower section is for navigating alphabetically. Select a letter or use the **LEFT** and **RIGHT** arrow keys to move from page to page.

Once an ingredient has been selected, a list of ingredients and proportions are listed that can be used as a substitute.

## SETTINGS

The **SETTINGS** feature will give you access to:

- TurboCool™ settings
- TurboFreeze™ settings
- instructions for changing the water filter
- access to systems such as door alarm
- Metric/English display

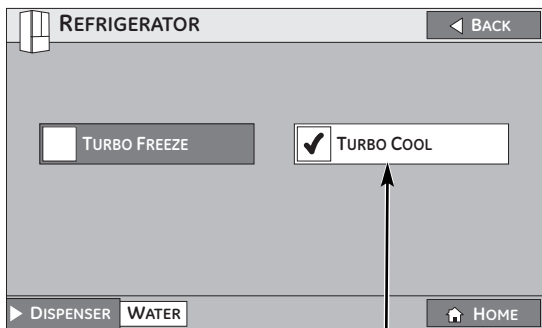
## REFRIGERATOR

Press the **REFRIGERATOR** button to access the **TurboCool** setting for the fresh food compartment and the **TurboFreeze** setting for the freezer. **TurboCool** rapidly cools the fresh food compartment and **TurboFreeze** rapidly cools the freezer compartment in order to more quickly cool foods. Use these features when adding a large amount of food to either compartment, putting away foods after they have been sitting out at room temperature or when putting away warm leftovers. It can also be used if the refrigerator has been without power for an extended period. The compressor and fresh food or freezer fan will run immediately for up to 3 1/2 hours (fresh food) or 2 1/2 hours (freezer) and then return to the original setting value.

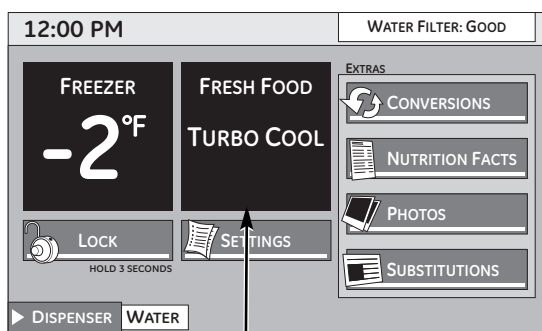


### SETTINGS (cont.)

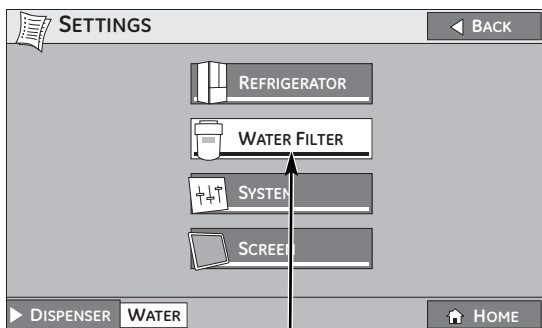
When you press **TurboCool** or **TurboFreeze**, a check mark shows in the box next to the button showing that it is turned on. It will also be listed on the **HOME** screen.



3 TURBO COOL Button



TURBO COOL Selected



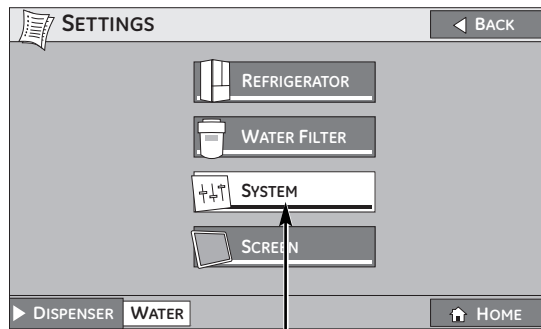
WATER FILTER Button

### WATER FILTER

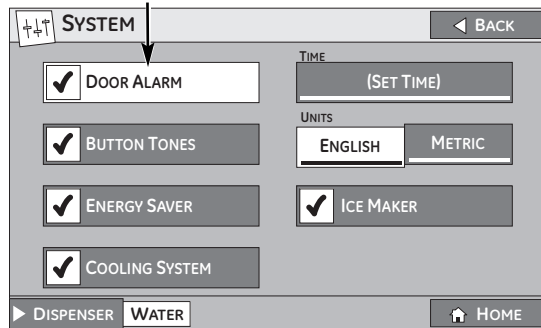
Select **WATER FILTER** from the **SETTINGS** screen. The **WATER FILTER** screen displays whether the filter is **GOOD**, it is time to **ORDER** a filter, or it is time to **REPLACE** the filter. Follow on-screen instructions as shown in the example to order or replace the water filter. The status of the water filter can also be found on the **HOME** screen in the upper right hand corner when the door is open.



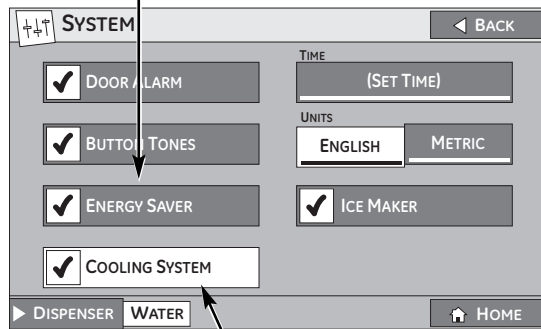
# Screen functions.



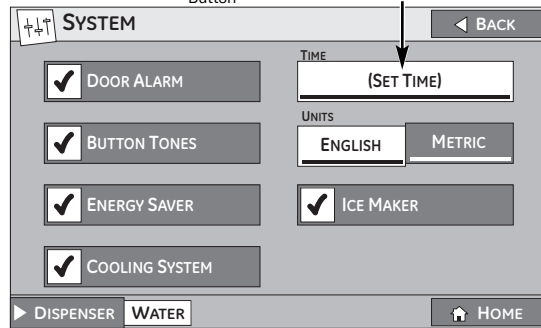
DOOR ALARM Button  
SYSTEM Button



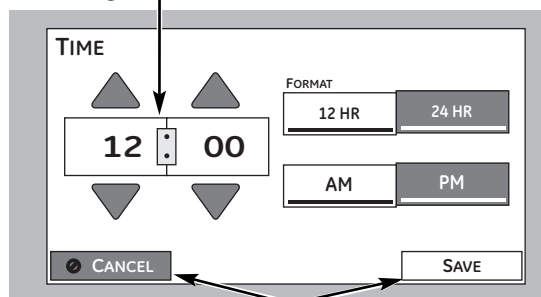
ENERGY SAVER Button



COOLING SYSTEM Button  
SET TIME Button



Set Time



SAVE or CANCEL

## SETTINGS (cont.)

### SYSTEM

Select the **SYSTEM** button to have access to:

- DOOR ALARM
- BUTTON TONES
- ENERGY SAVER
- COOLING SYSTEM
- TIME
- UNITS (ENGLISH or METRIC)

### DOOR ALARM

There is a check mark beside the button if the **DOOR ALARM** is **ON** (default). To turn it **OFF**, select the **DOOR ALARM** button (check will be gone). The **DOOR ALARM** will sound if the refrigerator door is open longer than 3 minutes. The **DOOR OPEN** alarm screen will be displayed and a beeper will sound in 1-minute intervals until the door is closed or the **SILENCE** button is selected.

### BUTTON TONES

Press the **BUTTON TONES** button to control the sound of the **LCD** buttons. When button sound is **ON** (default), the beeper sounds a tone each time a button is pressed per audio specifications. To turn it off, select the **BUTTON TONES** button (check will be gone).

### ENERGY SAVER

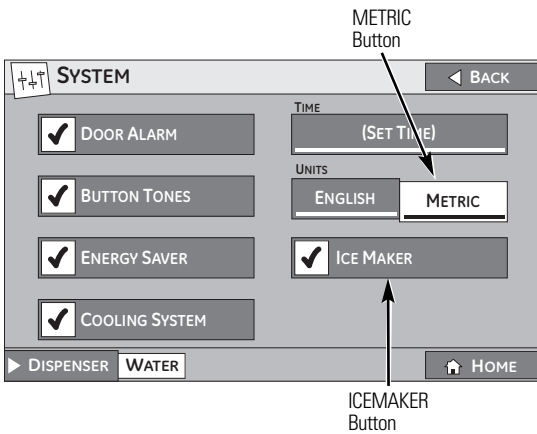
This refrigerator is shipped with the **ENERGY SAVER** feature **ON** (check). Over time, moisture can form on the front surface of the refrigerator cabinet. If moisture does appear on the front surface of the refrigerator cabinet, turn **OFF** the **ENERGY SAVER** by pressing the button (check will be gone).

### COOLING SYSTEM

This feature turns off the cooling system in the fresh food and freezer compartments without shutting off the electricity to the refrigerator. On the **SYSTEM** screen, select the **COOLING SYSTEM** button. To turn **COOLING SYSTEM ON** or **OFF**, select **COOLING SYSTEM** from the **SYSTEM** screen.

### SET TIME

To set the clock, select the **SET TIME** button from the **SYSTEM** screen. To change the hours and minutes, use the **UP** and **DOWN** arrow keys above and below the numbers. To change from **AM** to **PM**, select the corresponding pad. Select **SAVE** or **CANCEL**. You can change the time to a 24-hour clock by selecting the **24 HR** button. Change the hours and minutes using the **UP** and **DOWN** arrow keys above and below the numbers. Select **SAVE** or **CANCEL**.



**SETTINGS** (cont.)

**UNITS**

To change the temperature readings from English units to Metric units, press the **METRIC** button. Units shown on the **HOME** screen will now read in Celsius instead of Fahrenheit.

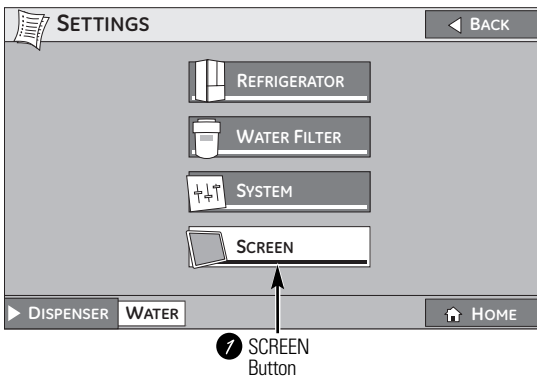
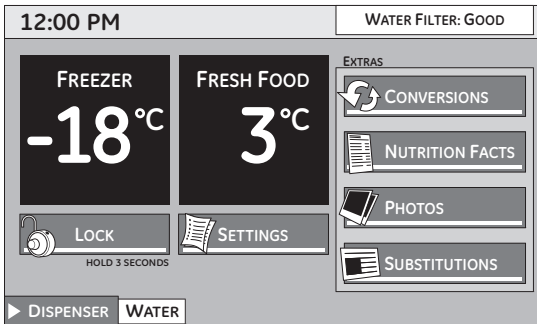
**ICEMAKER**

The icemaker will produce seven cubes per cycle—approximately 100–130 cubes in a 24-hour period, depending on freezer compartment temperature, room temperature, number of door openings and other use conditions. If the refrigerator is operated before the water connection is made to the icemaker, press and release the **ICEMAKER** button on the **SYSTEM** screen to disengage the icemaker. When the refrigerator has been connected to the water supply, press and release the **ICEMAKER** button on the **SYSTEM** screen to engage the icemaker. A newly installed refrigerator may take 12 to 24 hours to begin making ice cubes and the **ICEMAKER** default is **ON** (check).

You will hear a buzzing sound each time the icemaker fills with water. Throw away the first few batches of ice to allow the water line to clear. It is normal for several cubes to be joined together. If ice is not used frequently, old ice cubes will become cloudy, taste stale and shrink.

**NOTE:** In homes with lower-than-average water pressure, you may hear the icemaker cycle multiple times when making one batch of ice.

**NOTE:** Turn **OFF** the icemaker if the water supply is shut off.



**SCREEN**

Select the **SCREEN** button from the **SETTINGS** screen to adjust the **BRIGHTNESS** of the display and to choose a **SCREEN SAVER**.

For **BRIGHTNESS**, use the **LEFT** and **RIGHT** arrow keys to dim and brighten the screen.

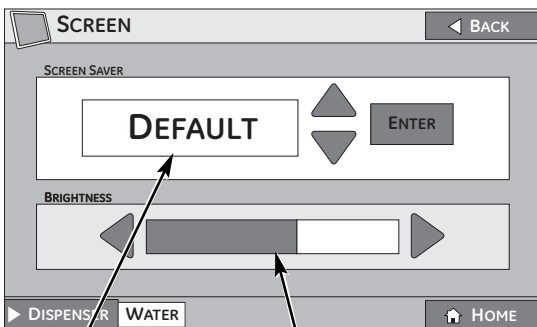
For **SCREEN SAVER**, use the **UP** and **DOWN** arrow keys to choose **DEFAULT**, **SLIDE SHOW**, **BACKGROUND** or **OFF**.

**DEFAULT** gives a slide show of factory pre-loaded pictures at 10-second intervals. These pictures are not viewable in the **PHOTOS** screen and remain even when all photos are deleted.

**SLIDE SHOW** takes the most recently selected photo among user-uploaded pictures and displays this one first, then the remaining random photos at 10-second intervals for 15 minutes.

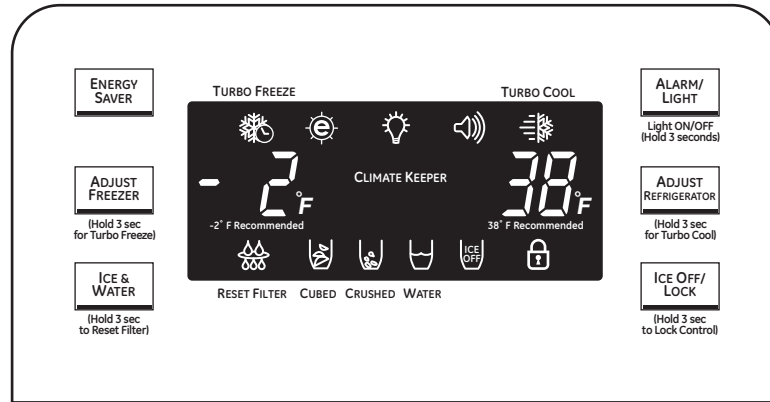
**BACKGROUND** takes the most recently selected photo among user-uploaded pictures and displays this as a static image. After 15 minutes of displaying this screen with no activity, the backlight will go OFF.

**OFF** sets no **BACKGROUND**, **SCREEN SAVER** or **SLIDE SHOW**.



- ③ Set Screen Saver and/or Background
- ② Set Brightness of Screen

## About the control with temperature settings for non-LCD models.



**NOTE:** The refrigerator is shipped with protective film covering the temperature controls. If this film was not removed during installation, remove it now.

The temperature controls are preset in the factory at **38°F** for the refrigerator compartment and **-2°F** for the freezer compartment. Allow 24 hours for the temperature to stabilize to the preset recommended settings.

The temperature controls can display both the **SET** temperature as well as the actual temperature in the refrigerator and freezer. The actual temperature may vary slightly from the **SET** temperature based on usage and operating environment.

### Changing the Temperature

**ADJUST REFRIGERATOR**

(Hold 3 sec for Turbo Cool)

**ADJUST FREEZER**

(Hold 3 sec for Turbo Freeze)

**To change the temperature**, press and release the **ADJUST FREEZER** or **ADJUST REFRIGERATOR** pad. The display will show the actual temperature. To change the temperature, tap either the **ADJUST FREEZER** or **ADJUST REFRIGERATOR** pad until the desired temperature is displayed.

Once the desired temperature has been set, the temperature display will return to the actual refrigerator and freezer temperatures after 10 seconds. Several adjustments may be required.

Each time you adjust controls, allow 24 hours for the refrigerator to reach the temperature you have set.

ADJUST  
REFRIGERATOR


(Hold 3 sec  
for Turbo Cool)

## How it Works

**TurboCool** rapidly cools the refrigerator compartment in order to more quickly cool foods. Use **TurboCool** when adding a large amount of food to the refrigerator compartment, putting away foods after they have been sitting out at room temperature or when putting away warm leftovers. It can also be used if the refrigerator has been without power for an extended period.

The compressor and fresh food fan will run immediately for up to 3½ hours and then return to the original setting value.

## How to Use

Press and hold the **ADJUST REFRIGERATOR** pad for 3 seconds until you hear the sound and the  displays.

After **TurboCool** is complete, the refrigerator compartment will return to the original setting.

## NOTES:

- The refrigerator temperature cannot be changed during **TurboCool**.
- The freezer temperature is not affected during **TurboCool**.

ADJUST  
FREEZER


(Hold 3 sec  
for Turbo Freeze)

## How it Works

**TurboFreeze** rapidly cools the freezer compartment in order to more quickly cool foods. Use **TurboFreeze** when adding a large amount of food to the freezer compartment, putting away foods after they have been sitting out at room temperature or when putting away warm leftovers. It can also be used if the refrigerator has been without power for an extended period.

The compressor and freezer fan will run immediately and keep running for two-and-a-half hours.

## How to Use

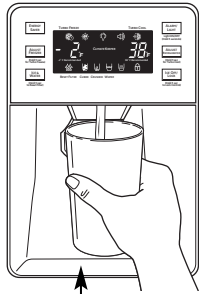
Press and hold the **ADJUST FREEZER** pad for 3 seconds until you hear the sound and the  displays.

After **TurboFreeze** is complete, the freezer compartment will return to the original setting.

## NOTES:

- The freezer temperature cannot be changed during **TurboFreeze**.
- The refrigerator temperature is not affected during **TurboFreeze**.
- When opening the freezer door during **TurboFreeze**, the fans will continue to run if they have cycled on.


## About the dispenser. (Non-LCD models Only)



Spill Shelf



### To Use the Dispenser

Select **CUBED** , **CRUSHED**  or **WATER**  by pressing the **ICE & WATER** pad.

Press the glass gently against the top of the dispenser cradle.

The spill shelf is not self-draining. To reduce water spotting, the shelf should be cleaned regularly.

If no water is dispensed when the refrigerator is first installed, there may be air in the water line system. Press the dispenser arm for at least two minutes to remove trapped air from the water line and to fill the water system. To flush out impurities in the water line, throw away the first six full glasses of water.

**⚠ CAUTION:** Never put fingers or any other objects into the ice crusher discharge opening.



(Hold 3 sec to Lock Control)

### To Lock and Unlock the Dispenser

To lock, press and hold the **ICE OFF/LOCK** pad for 3 seconds. Repeat this step to unlock the dispenser.

### Important Facts About Your Dispenser

- Do not add ice from trays or bags to the storage drawer. It may not crush or dispense well.
- Avoid overfilling glass with ice and use of narrow glasses. Backed-up ice can jam the chute or cause the door in the chute to freeze shut. If ice is blocking the chute, poke it through with a wooden spoon.
- Beverages and foods should not be quick-chilled in the ice storage drawer. Cans, bottles or food packages in the storage drawer may cause the icemaker or auger to jam.
- To keep dispensed ice from missing the glass, put the glass close to, but not touching, the dispenser opening.
- Some crushed ice may be dispensed even though you selected **CUBED ICE**. This happens occasionally when a few cubes accidentally get directed to the crusher.
- After crushed ice is dispensed, some water may drip from the chute.
- Sometimes a small mound of snow will form on the door in the ice chute. This condition is normal and usually occurs when you have dispensed crushed ice repeatedly. The snow will eventually evaporate.



Light ON/OFF (Hold 3 seconds)

### About Door Alarm

The door alarm will sound if any door is open for more than 3 minutes. The beeping stops when you close the door.

### About Dispenser Light

Press and hold the **ALARM/LIGHT** pad for 3 seconds to **turn on** the dispenser light. To **turn off**, press and hold the pad again for 3 seconds.

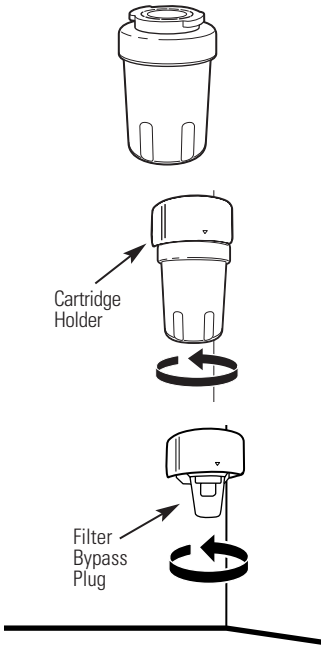


### About Energy Saver

This product is equipped with an Energy Saver feature. The refrigerator is shipped with the Energy Saver feature on.

Over time, moisture can form on the front surface of the refrigerator cabinet and cause

rust. If moisture does appear on the front surface of the refrigerator cabinet, **turn off** the Energy Saver feature by pressing and releasing the **ENERGY SAVER** pad on the control panel.



## Water Filter Cartridge

The water filter cartridge is located in the back upper right corner of the refrigerator compartment.

### When to Replace the Filter

The filter cartridge should be replaced when indicated on the control panel. Follow the screen instructions shown in WATER FILTER in the *About the 7" LCD Control Panel for LCD Models* section.

### Installing the Filter Cartridge

- 1 If you are replacing the cartridge, first remove the old one by slowly turning it counterclockwise. A small amount of water may drip down.

**CAUTION:** *If air has been trapped in the system, the filter cartridge may be ejected as it is removed. Use caution when removing.*

- 2 Remove the protective foil from the end of the cartridge.
- 3 Lining up the arrow on the cartridge and the cartridge holder, place the top of the new cartridge up inside the holder. Do not push it up into the holder. Slowly rotate the cartridge clockwise until it stops. As you turn the cartridge, it will automatically raise itself into position. Cartridge will rotate about 1/4 turn.

**Do not overtighten.**

- 4 Run water from the dispenser for 3 minutes (about 1½ gallons) to clear the system and prevent sputtering. See *To Use the Dispenser* section.

**NOTE:** A newly installed water filter cartridge may **cause water to spurt** from the dispenser.

## Filter Bypass Plug

You must use the filter bypass plug when a replacement filter cartridge is not available. The icemaker will not operate without the filter or filter bypass plug.

### Replacement Filters:

**To order additional filter cartridges in the United States, visit our Website, [ge.com](http://ge.com) or call GE Parts and Accessories, 800.626.2002.**

Filter Model MWF

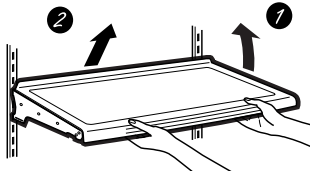
Customers in Canada should consult the yellow pages for the nearest Mabe Service Center.



## About the fresh food storage options.

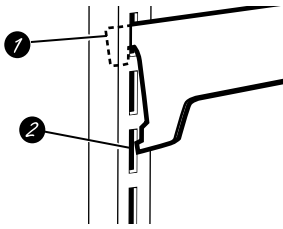
### Rearranging the Shelves

Shelves in the refrigerator compartment are adjustable.



#### To remove:

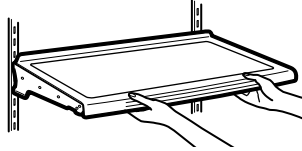
- 1 Remove all items from the shelf.
- 2 Tilt the shelf up at the front.
- 3 Lift the shelf up at the back and bring the shelf out.



#### To replace:

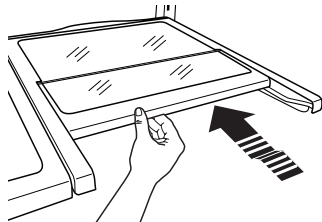
- 1 While tilting the shelf up, insert the top hook at the back of the shelf in a slot on the track.
- 2 Lower the front of the shelf until the bottom of the shelf locks into place.

### Spillproof Shelves



Spillproof shelves have special edges to help prevent spills from dripping to lower shelves.

### Quick Space Shelf

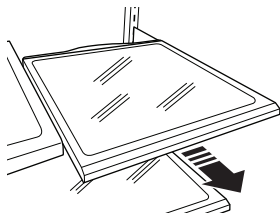


This shelf splits in half and slides under itself for storage of tall items on the shelf below.

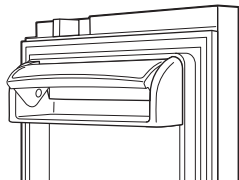
This shelf can be removed and replaced or relocated (just like spillproof shelves).

**NOTE:** The location of the upper Quick Space Shelf is not adjustable.

### Slide-Out Spillproof Shelves



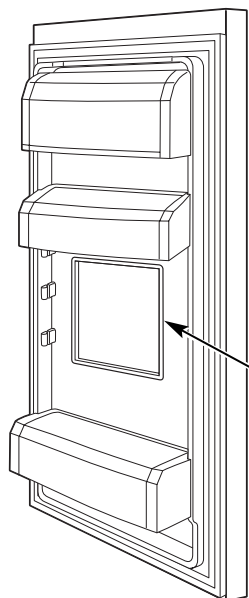
These shelves can be slid out to provide easy access to items near the back of the refrigerator and to provide easy cleaning.



### Non-Adjustable Dairy Bin

**To remove:** Lift the dairy bin straight up, then pull out.

**To replace:** Engage the bin in the molded door supports and push down. The bin will lock in place.



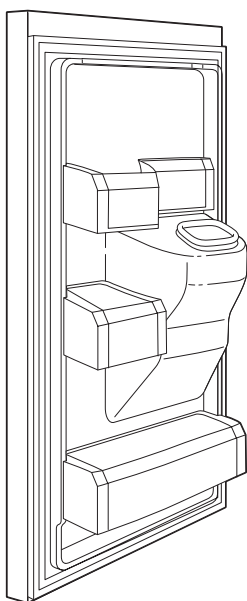
### Adjustable Bins on the Door

Adjustable bins can easily be carried from refrigerator to work area.

**To remove:** Lift bin straight up, then pull out.

**To replace or relocate:** Slide in the bin just above the molded door supports, and push down. The bin will lock in place.

Refreshment Center Door (on some models)

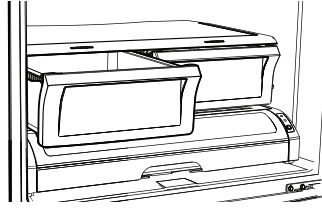


### Non-Adjustable Bins on the Door

**To remove:** Lift the bin straight up, then pull out.

**To replace:** Engage the bin in the molded supports on the door and push down. It will lock in place.

## About the crispers and pans.

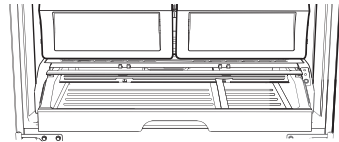


### Fruit and Vegetable Crisper

Keep fruits and vegetables organized in separate compartments for easy access.

Excess water that may accumulate in the bottom of the drawers or under the drawers should be wiped dry.

Lower • • • • Higher



### Adjustable Deli/Produce Drawer

The Adjustable Deli/Produce Drawer is a full-width drawer with adjustable temperature control. This drawer can be used for large miscellaneous items.

There is a temperature control which can adjust the amount of cold air allowed into the drawer.

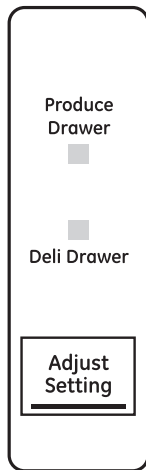
#### Control

When **Produce Drawer** is selected, the temperature of the drawer can be kept around 38°F (3°C). This feature also helps keep food fresh for a long time.

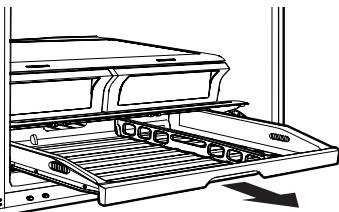
When **Deli Drawer** is selected, the temperature of the drawer can be kept around 34°F (1°C). This feature also helps keep meat or fish fresh for a longer time.

**NOTE:** Fruits and vegetables may be damaged using the **Deli Drawer** setting. Do not store lettuce or other leafy produce in this drawer.

**⚠ CAUTION:** Do not store glass bottles in this drawer. If they are frozen, they can break and cause personal injury.



The control is located on the right side of the drawer.



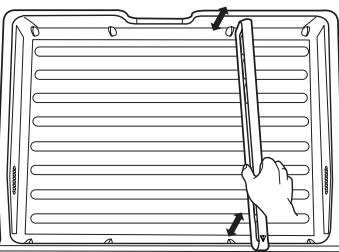
### How to Remove and Replace the Adjustable Deli/Produce Drawer

#### To remove:

- 1 Pull the drawer out to the stop position.
- 2 Lift the front of the drawer up and out.

#### To replace:

- 1 Lift the cover up.
- 2 Engage the pantry rollers into the side rails.
- 3 Push the drawer inward (until it is in place).



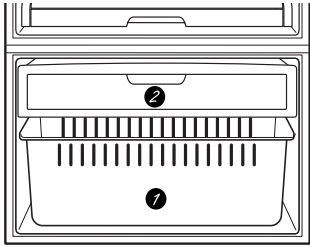
### How to Remove and Replace Drawer Divider

#### To remove:

- 1 Pull the drawer out to the stop position.
- 2 Raise the front side of the divider to unhook it from the rear wall of the drawer.

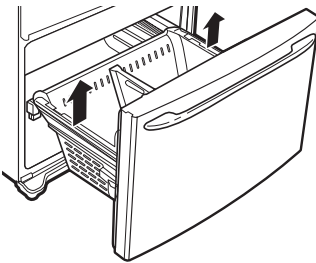
#### To replace:

- 1 Hook the back of the divider over the rear wall of the drawer.
- 2 Push the divider down.



## Freezer Basket and Drawer

- 1 Basket.
- 2 Drawer.



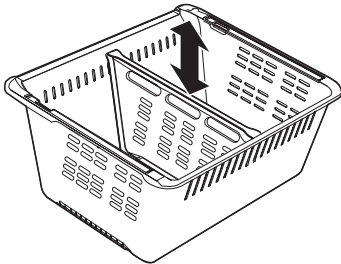
## Basket Removal

### To remove:

- 1 Remove Freezer Bin. (See below.)
- 2 Pull basket out to the stop position.
- 3 Tilt up the rear of the bin.
- 4 Lift it out to remove.

### To replace:

- 1 Place the basket into the rail assembly.



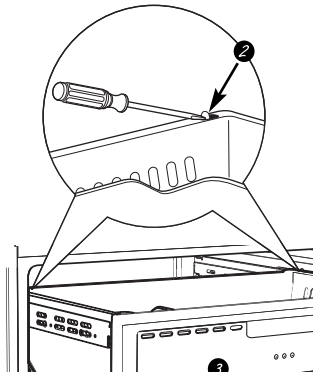
## Basket Divider Removal

### To remove:

- 1 Pull basket out to the stop position.
- 2 Tilt up the rear of the bin.
- 3 Lift it out to remove.

### To replace:

- 1 Hook the top corners of the divider over the hole of the basket.



## Drawer Removal

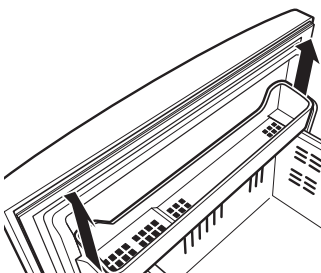
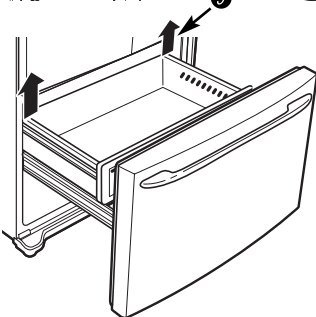
### To remove:

- 1 Pull the drawer out to the stop position.
- 2 Remove both side knobs with a flat-head screwdriver (as shown at left).
- 3 Tilt up the rear of the drawer and lift drawer up and out.

### To replace:

- 1 Pull both rails out to the stop position.
- 2 Place the drawer onto the rails and hook the support into the slots located on the side of the drawer.
- 3 Replace the side knobs and push the drawer back into place.

**⚠ WARNING:** Do not lose the side knobs during disassembly since they may present a choking hazard to children.



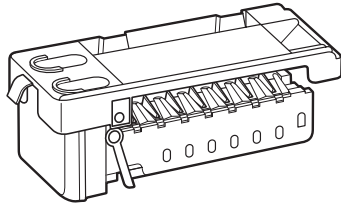
## Non-Adjustable Bin in the Freezer

**To remove:** Pull the brackets upward until you hear a clicking sound and remove the bin.

**To replace:** Hook the ends of the bin into both brackets and push down until the bin locks into place.

## About the automatic icemaker.

A newly installed refrigerator may take 12 to 24 hours to begin making ice.



### Automatic Icemaker

The icemaker will produce seven cubes per cycle—approximately 100–130 cubes in a 24-hour period, depending on freezer compartment temperature, room temperature, number of door openings and other use conditions.

**For Non-LCD Models:** If the refrigerator is operated before the water connection is made to the icemaker, press and release the **ICE OFF/LOCK** pad on the control panel to disengage the icemaker.

When the refrigerator has been connected to the water supply, press and release the **ICE OFF/LOCK** pad on the control panel to engage the icemaker.

**For LCD Models:** If the refrigerator is operated before the water connection is made to the icemaker, see ICEMAKER under the *Screen Functions of LCD Operations* section and follow the screen commands to turn the icemaker OFF.

A newly installed refrigerator may take 12 to 24 hours to begin making ice cubes.

You will hear a buzzing sound each time the icemaker fills with water.

Throw away the first few batches of ice to allow the water line to clear.

Be sure nothing interferes with the sweep of the feeler arm.

When the bin fills to the level of the feeler arm, the icemaker will stop producing ice. It is normal for several cubes to be joined together.

If ice is not used frequently, old ice cubes will become cloudy, taste stale and shrink.

**NOTE:** In homes with lower-than-average water pressure, you may hear the icemaker cycle multiple times when making one batch of ice.

**NOTE:** If the water supply is shut off, press and release the **ICE OFF/LOCK** pad on the control panel of the non-LCD model.

**For the LCD model,** see ICEMAKER under the *Screen Functions of LCD Operations* section and follow the screen commands to turn the icemaker OFF.

## Cleaning the Outside

**The door handles and trim.** Clean with a cloth dampened with soapy water. Dry with a soft cloth. Do not use wax on the door handles and trim.

**Keep the outside clean.** Wipe with a clean cloth lightly dampened with kitchen appliance wax or mild liquid dish detergent. Dry and polish with a clean, soft cloth.

*Do not wipe the refrigerator with a soiled dish cloth or wet towel. These may leave a residue that can erode the paint. Do not use scouring pads, powdered cleaners, bleach or cleaners containing bleach because these products can scratch and weaken the paint finish.*

### **The stainless steel panels and door handles.**

Stainless steel (on some models) can be cleaned with a commercially available stainless steel cleaner. A spray-on stainless steel cleaner works best.

Do not use appliance wax or polish on the stainless steel.

**Silver-accented plastic parts.** Wash parts with soap or other mild detergents. Wipe clean with a sponge, damp cloth or paper towel.

Do not scrub with steel-wool pads or other abrasive cleaners.

## Cleaning the Inside

**To help prevent odors,** leave an open box of baking soda in the refrigerator and freezer compartments.

### **Unplug the refrigerator before cleaning.**

If this is not practical, wring excess moisture out of sponge or cloth when cleaning around switches, lights or controls.

Use an appliance wax polish on the inside surface between the doors.

Use warm water and baking soda solution—about a tablespoon (15 ml) of baking soda to a quart (1 liter) of water. This both cleans and neutralizes odors. Rinse and wipe dry.

After cleaning the door gaskets, apply a thin layer of petroleum jelly to the door gaskets at the hinge side. This helps keep the gaskets from sticking and bending out of shape.

*Avoid cleaning cold glass shelves with hot water because the extreme temperature difference may cause them to break. Handle glass shelves carefully. Bumping tempered glass can cause it to shatter.*

*Do not wash any plastic refrigerator parts in the dishwasher.*

**Silver-accented plastic parts.** Wash parts with soapy water. Wipe clean with a sponge, damp cloth or paper towel.

Do not scrub with steel-wool pads or other abrasive cleaners.

## Care and cleaning of the refrigerator.

---

### Behind the Refrigerator

Be careful when moving the refrigerator away from the wall. All types of floor coverings can be damaged, particularly cushioned coverings and those with embossed surfaces.

Raise the leveling legs located at the bottom front of the refrigerator.

Pull the refrigerator straight out and return it to position by pushing it straight in. Moving the refrigerator in a side direction may result


in damage to the floor covering or refrigerator.

Lower the leveling legs until they touch the floor.

*When pushing the refrigerator back, make sure you don't roll over the power cord or icemaker supply line (on some models) and ensure the anti-tip bracket is engaged (if equipped).*

### Preparing for Vacation

For long vacations or absences, remove food and unplug the refrigerator. Clean the interior with a baking soda solution of one tablespoon (15 ml) of baking soda to one quart (1 liter) of water. Leave the doors open.

**Non-LCD Models:** Turn on the Ice Off feature by pressing and releasing the **ICE OFF/LOCK** pad on the control panel (the  icon displays) and shut off the water supply to the refrigerator.

**LCD Models:** Turn off the icemaker by following the screen commands shown in the *LCD Controls* section.

If the temperature can drop below freezing, have a qualified servicer drain the water supply system (on some models) to prevent serious property damage due to flooding.

### Preparing to Move

Secure all loose items such as base grille, shelves and drawers by taping them securely in place to prevent damage.

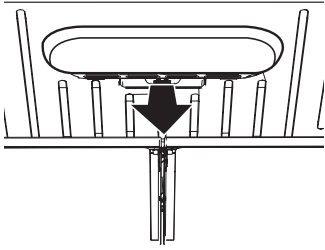
When using a hand truck to move the refrigerator, do not rest the front or back of the refrigerator against the hand truck. This could damage the refrigerator. Handle only from the sides of the refrigerator.

*Be sure the refrigerator stays in an upright position during moving.*



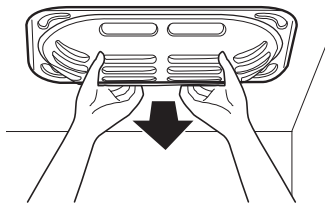
# Replacing the light bulbs.

ge.com



## Refrigerator Lights

An authorized technician will need to replace the LED light.



## Freezer Light

**⚠ CAUTION:** Light bulbs may be hot.

- 1 Unplug the power cord from the outlet.
- 2 Pull drawer out to the stop position.
- 3 Rotate the shield down while pushing it backwards to remove it.

- 4 Turn the bulb counterclockwise.
- 5 Replace with an appliance bulb of the same or lower wattage.
- 6 Replace the shield.
- 7 Plug the refrigerator back in.

**NOTE:** Appliance bulbs may be ordered from GE Parts and Accessories, 800.626.2002.

Safety Instructions

Operating Instructions

Installation Instructions

Troubleshooting Tips

Consumer Support

# Installation Instructions

# Refrigerator

Profile Model 26

Questions? Call 800.GE.CARES (800.432.2737) or Visit our Website at: [ge.com](http://ge.com)  
In Canada, call 1.800.561.3344 or Visit our Website at: [www.geappliances.ca](http://www.geappliances.ca)

## BEFORE YOU BEGIN

Read these instructions completely and carefully.

- **IMPORTANT** – Save these instructions for local inspector's use.
- **IMPORTANT** – Observe all governing codes and ordinances.
- **Note to Installer** – Be sure to leave these instructions with the Consumer.
- **Note to Consumer** – Keep these instructions for future reference.
- **Skill level** – Installation of this appliance requires basic mechanical skills.
- **Completion time** – Refrigerator Installation 20 minutes  
Water Line Installation 30 minutes
- Proper installation is the responsibility of the installer.
- Product failure due to improper installation is not covered under the Warranty.

## PREPARATION

### MOVING THE REFRIGERATOR INDOORS

If the refrigerator will not fit through a doorway, the refrigerator door and freezer drawer can be removed.

- To remove the refrigerator door, see the *Installing the Refrigerator* section.
- To remove the freezer drawer, see the *Removing the Freezer Drawer* section.

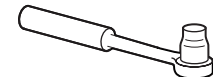
### WATER SUPPLY TO THE ICEMAKER AND DISPENSER

If the refrigerator has an icemaker, it will have to be connected to a cold water line. A GE water supply kit (containing tubing, shutoff valve, fittings and instructions) is available at extra cost from your dealer, by visiting our Website at [ge.com](http://ge.com) (in Canada at [www.geappliances.ca](http://www.geappliances.ca)) or from Parts and Accessories, 800.626.2002 (In Canada 1.888.261.3055).

## TOOLS YOU MAY NEED



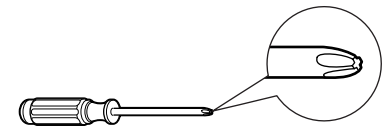
Adjustable Wrench



10 mm Socket Ratchet/Driver



1/4" Outer Diameter  
Compression Nut  
and Ferrule (sleeve)



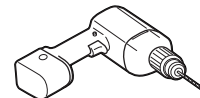
Phillips-Head Screwdriver



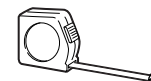
3/32", 1/8" and 4 mm  
Allen Wrenches



Flat-Head Screwdriver



1/8" Drill Bit and  
Electric or Hand Drill



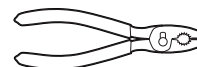
Tape Measure



Pencil



1/4" Nut Driver



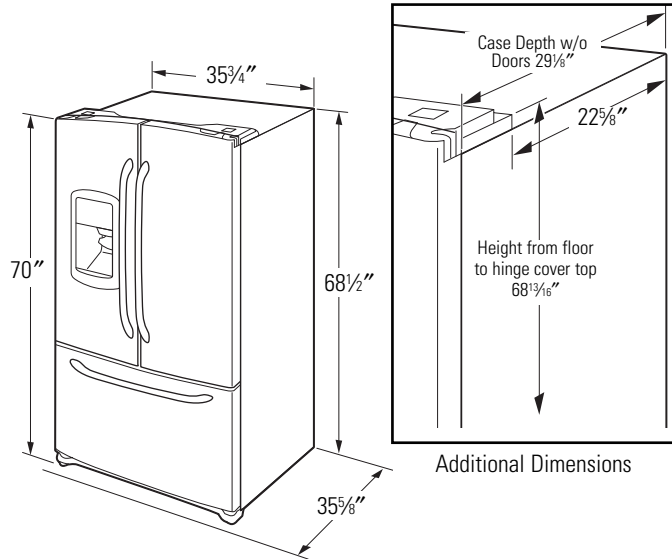
Pliers



Level

# Installation Instructions

## DIMENSIONS



Overall Height to Top of Hinge Cover at Max. Height	70"
Height from Floor to Lower Level of Hinge Cover	68 <sup>13</sup> / <sub>16</sub> "
Case Depth without Doors	29 <sup>1</sup> / <sub>8</sub> "
Height to Top of Cabinet	68 <sup>1</sup> / <sub>2</sub> "
Overall Exterior Case Width	35 <sup>3</sup> / <sub>4</sub> "
Overall Exterior Depth Bowed Doors/Drawers with Handles	35 <sup>5</sup> / <sub>8</sub> "

# Installation Instructions

## INSTALLING THE REFRIGERATOR

### REFRIGERATOR LOCATION

- Do not install the refrigerator where the temperature will go below 60°F (16°C) because it will not run often enough to maintain proper temperatures.
- Do not install the refrigerator where the temperature will go above 100°F (37°C) because it will not perform properly.
- Install it on a floor strong enough to support it fully loaded.

### CLEARANCES

Allow the following clearances for ease of installation, proper air circulation and plumbing and electrical connections.

Sides	1/8" (3 mm)
Top	1" (25 mm)
Back	1" (25 mm)

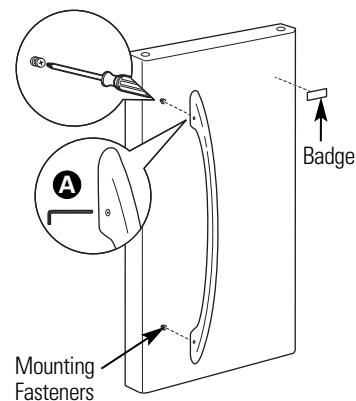
### REMOVING THE REFRIGERATOR DOORS

- **IMPORTANT NOTE:** This refrigerator is 35<sup>5</sup>/<sub>8</sub>" deep. Doors and passageways leading to the installation location must be at least 36" wide in order to leave the doors and handles attached to the refrigerator while transporting it into the installation location. If passageways are less than 36", the refrigerator doors and handles can easily be scratched and damaged. The top cap and doors can be removed to allow the refrigerator to be safely moved indoors. Start with Step 1.
- If it is not necessary to remove doors, skip to Step 9. Leave tape and all packaging on doors until the refrigerator is in the final location.
- **NOTE:** Use a padded hand truck to move this refrigerator. Place the refrigerator on the hand truck with a side against the truck. We strongly recommend that **TWO PEOPLE** move and complete this installation.

### 1 REMOVE THE FRESH FOOD DOOR HANDLE

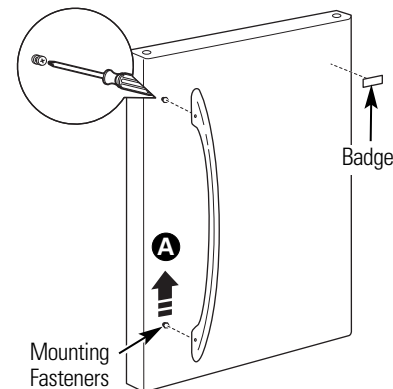
#### Stainless steel:

- A** REMOVING THE DOOR HANDLE: Loosen the set screws with the 3/32" Allen wrench and remove the handle.



#### Plastic handle:

- A** REMOVING THE DOOR HANDLE: Slide the handle up and off of the mounting fasteners.



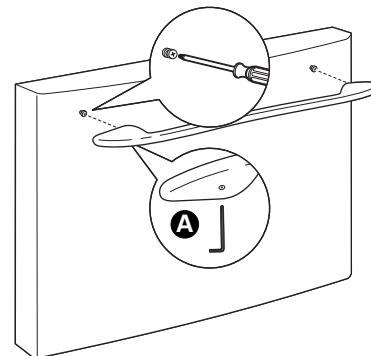
**NOTE:** If the handle mounting fasteners need to be tightened or removed, use a Phillips-head screwdriver.

### 2 REMOVE THE FREEZER DOOR HANDLE

#### Stainless steel and plastic handles:

- A** Loosen the set screws located on the underside of the handle with the 1/8" Allen wrench and remove the handle.

**NOTE:** If the handle mounting fasteners need to be tightened or removed, use a Phillips-head screwdriver.

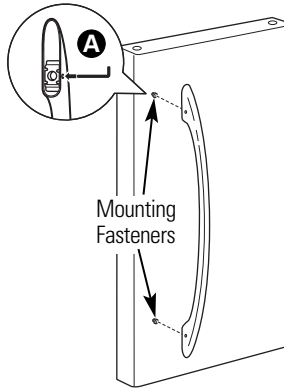


# Installation Instructions

## 3 ATTACH THE FRESH FOOD DOOR HANDLE

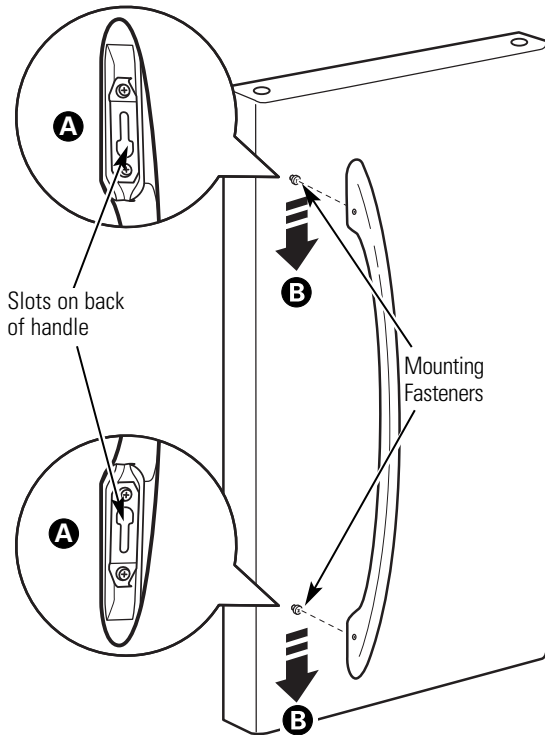
### Stainless steel handle:

- A** Attach the handle to the handle mounting fasteners and tighten the set screws with a 3/32" Allen wrench.



### Plastic handle:

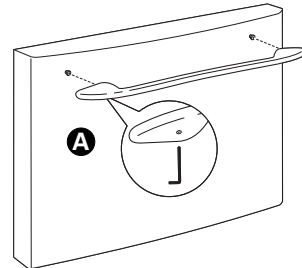
- A** Attach the handle to the handle mounting fasteners by aligning the slots with the handle mounting fasteners.
- B** Slide it down until it is firmly locked into position.



## 4 ATTACH THE FREEZER DOOR HANDLE

### Stainless steel and plastic handles:

- A** Attach the handle firmly to the mounting fasteners and tighten the set screws on the bottom of the handle with a 1/8" Allen wrench.

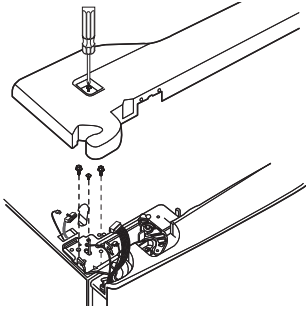


# Installation Instructions

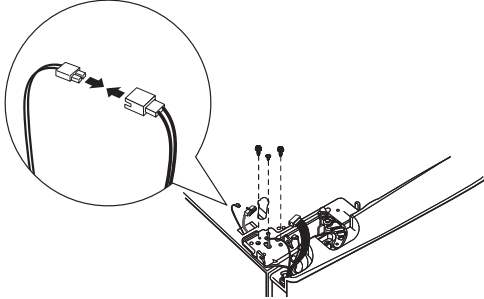
## INSTALLING THE REFRIGERATOR (cont.)

### 5 REMOVE THE REFRIGERATOR DOORS

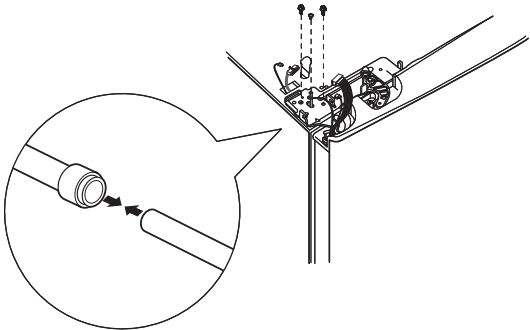
- A** Open the refrigerator doors.
- B** Remove the two caps with a flat-head screwdriver.
- C** Remove the three screws on top with a Phillips-head screwdriver.



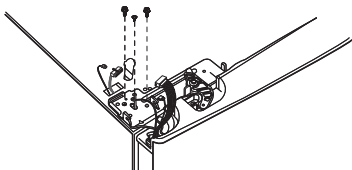
- D** Disengage the two electrical connectors.



- E** To disconnect the water coupling, push in on the gray color of the coupling and pull out the tubing.



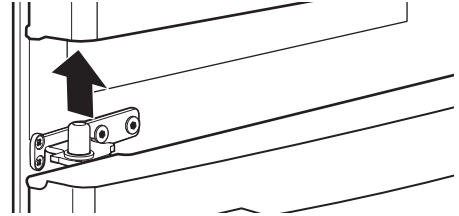
- F** Remove the two grounding cables with a Phillips-head screwdriver.
- G** Remove three 10 mm hex-head bolts (right and left).



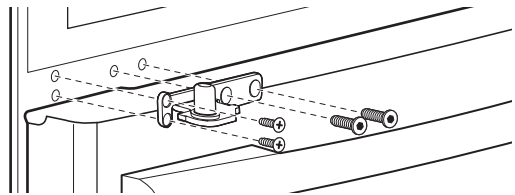
**CAUTION:** When the bolts are removed, the door may fall and cause personal injury and/or damage to the door itself.

### 5 REMOVE THE REFRIGERATOR DOORS (cont.)

- H** Lift the door straight up to remove.

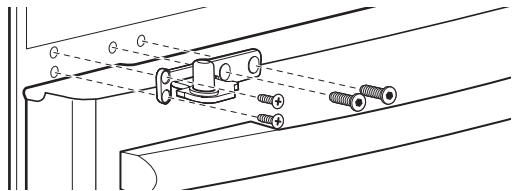


- I** Remove the two hex-head bolts and two Phillips-head screws from the center hinge. Set the hinge, bolts and screw aside.

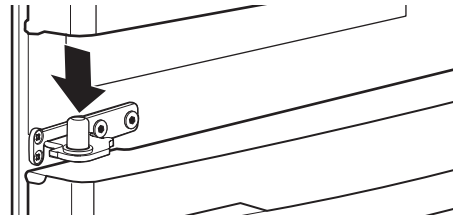


### 6 REPLACING THE REFRIGERATOR DOORS

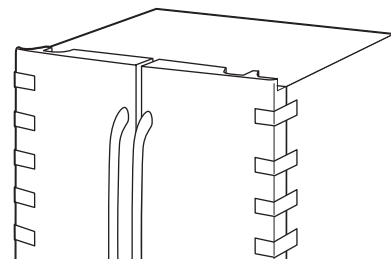
- A** Install the center hinge on each side.



- B** Lower the refrigerator door onto the center hinge pin. Ensure that the plastic hinge pin thimble is on the center hinge pin or inside door hinge pin hole located in the bottom of the door.



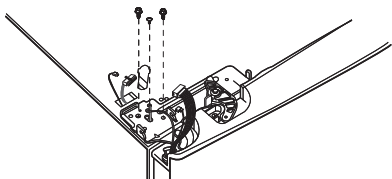
- C** Securely tape the door shut with masking tape or have a second person support the door.



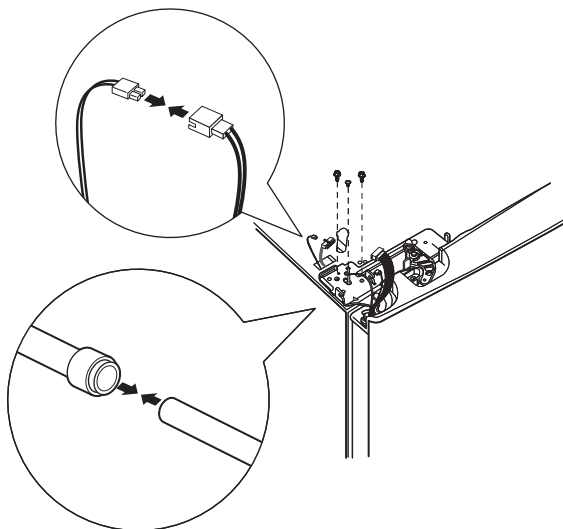
# Installation Instructions

## 6 REPLACING THE REFRIGERATOR DOORS (cont.)

- D** Insert the top hinge pin into the hinge hole on top of the refrigerator door. Make sure the door is aligned with the cabinet and opposite door. Attach the hinge to the top of the cabinet. Do not tighten bolts completely.



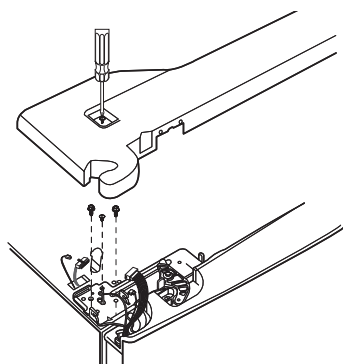
- E** On left-hand doors, pass the wires and water line through the top hinge pin. Then connect the water line and two connectors.



- F** Attach the ground wire with a Phillips-head screwdriver at the right and left hinge.

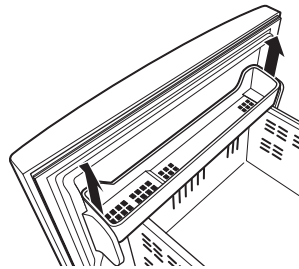
- G** Make sure the gasket on the door is flush against the cabinet and is not folded. Make sure the door is straight and the gap between the doors is even across the front. While holding the aligned door in place, tighten the top hinge bolts.

- H** Reconnect the two connectors at each side of the top cap and reattach the three Phillips-head screws on top.

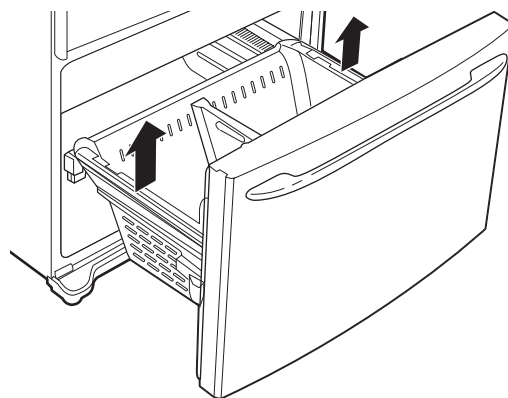


## 7 REMOVE THE FREEZER DOOR

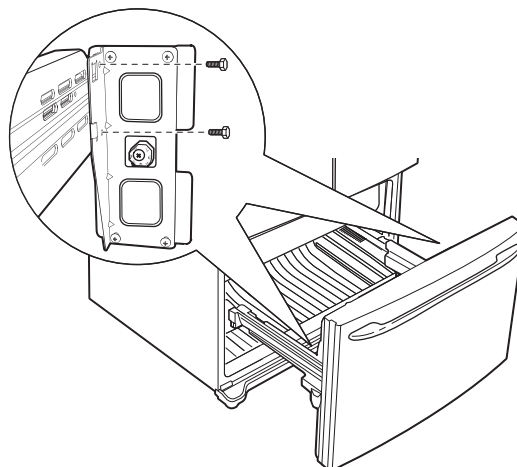
- A** Pull the freezer door open to full extension.  
**B** Remove the freezer bin by pulling both brackets upward at the same time. (See page 19.)



- C** Take out the lower basket by lifting the basket up from the rail system. (See page 19.)



- D** Remove the two 10 mm hex-head bolts from the right and left side.



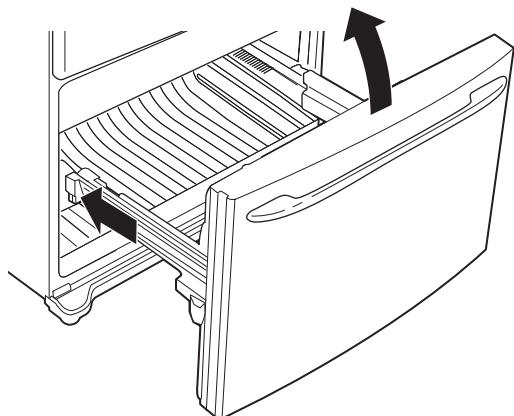


# Installation Instructions

## INSTALLING THE REFRIGERATOR (cont.)

### 7 REMOVE THE FREEZER DOOR (cont.)

- E** Use the tip of a screwdriver to separate the rail from the rail cover. Tilt the front end up and lift the entire door.



- F** Set the door front on a nonscratching surface.

- G** Push the rail assemblies back into the cabinet.

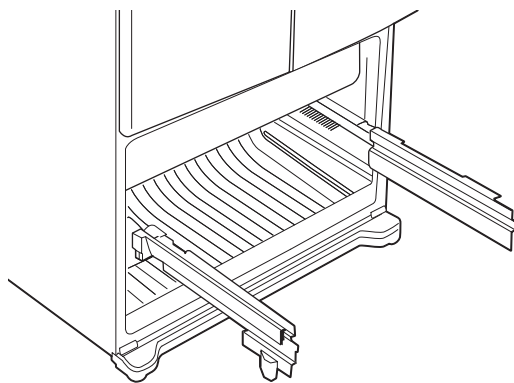
**CAUTION:** Push both sides of the rail assemblies back at the same time.

### 8 REPLACING THE FREEZER DOOR

Two people may be required to complete this procedure.

#### ATTACH AND SECURE THE DRAWER FRONT TO THE SLIDES

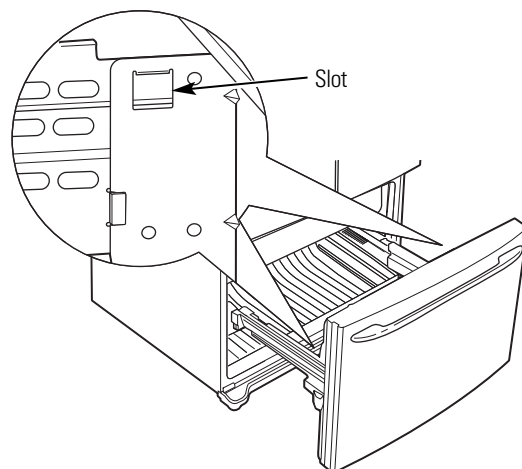
- A** Pull out the rail assemblies to the full length on each side of the cabinet.



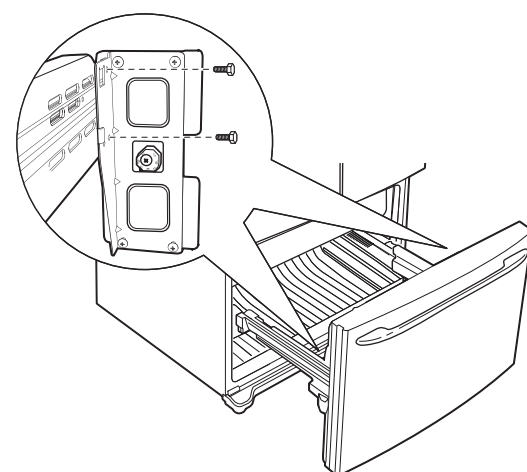
**CAUTION:** Make sure to pull out the side rails evenly.

### 8 REPLACING THE FREEZER DOOR (cont.)

- B** Hang the freezer door front onto open slots on the sides.

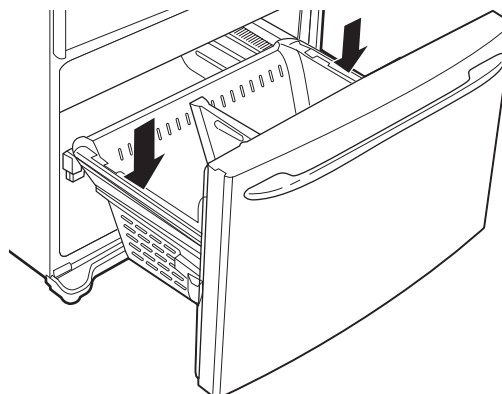


- C** Tighten screws completely. (There are four 10 mm hex-head bolts.)



#### REPLACE THE FREEZER BASKET

Replace the freezer basket by lowering it into the frame.

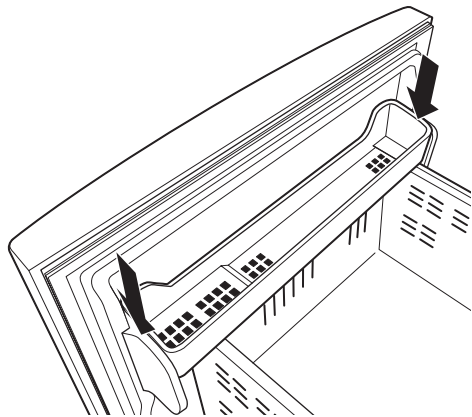


# Installation Instructions

## 8 REPLACING THE FREEZER DOOR (cont.)

### REPLACE THE FREEZER BIN

Hook the ends of the freezer bin into both brackets, and push down until they lock into place. (See page 19.)



## 9 CONNECTING THE REFRIGERATOR TO THE HOUSE WATER LINE

A cold water supply is required for automatic icemaker operation. If there is not a cold water supply, you will need to provide one. See *Installing the Water Line* section.

### NOTES:

- Before making the connection to the refrigerator, be sure the refrigerator power cord is not plugged into the wall outlet.
- If your refrigerator does not have a water filter, we recommend installing one if your water supply has sand or particles that could clog the screen of the refrigerator's water valve. Install it in the water line near the refrigerator. If using GE SmartConnect™ Refrigerator Tubing Kit, you will need an additional tube (WX08X10002) to connect the filter. Do not cut plastic tube to install filter.

**A** If you are using copper tubing, place a compression nut and ferrule (sleeve) onto the end of the tubing coming from the house cold water supply.

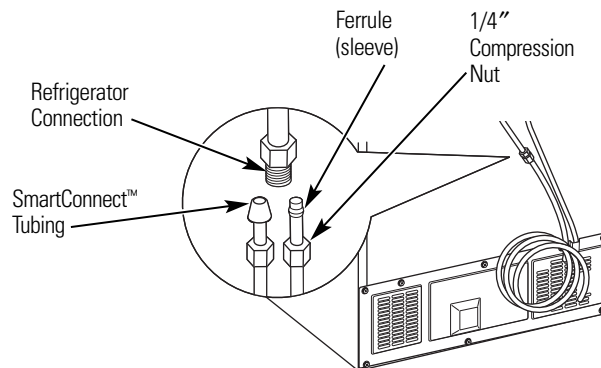
If you are using the GE SmartConnect™ tubing, the nuts are already assembled to the tubing.

## 9 CONNECTING THE REFRIGERATOR TO THE HOUSE WATER LINE (cont.)

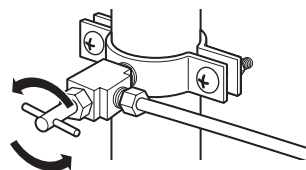
**B** If you are using copper tubing, insert the end of the tubing into the refrigerator connection, at the back of the refrigerator, as far as possible. While holding the tubing, tighten the fitting.

If you are using GE SmartConnect™ tubing, insert the molded end of the tubing into the refrigerator connection, at the back of the refrigerator, and tighten the compression nut until it is hand tight. Then tighten one additional turn with a wrench. Overtightening may cause leaks.

**C** Fasten the tubing into the clamp provided to hold it in position. You may need to pry open the clamp.

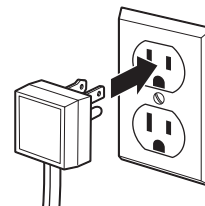


## 10 TURN ON THE WATER SUPPLY



Turn the water on at the shutoff valve (house water supply) and check for any leaks.

## 11 PLUG IN THE REFRIGERATOR



See the grounding information attached to the power cord.

# Installation Instructions

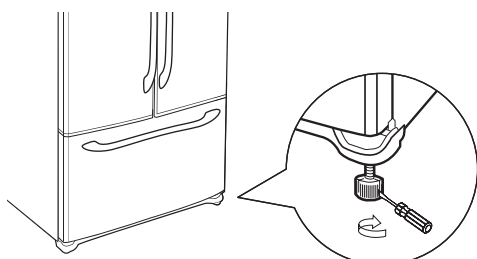
## INSTALLING THE REFRIGERATOR (cont.)

### 12 LEVEL THE REFRIGERATOR

The leveling legs have 2 purposes:

- 1) Leveling legs adjust so the refrigerator is firmly positioned on the floor and does not wobble.
- 2) Leveling legs serve as a stabilizing brake to hold the refrigerator securely in position during operation and cleaning. The leveling legs also prevent the refrigerator from tipping.

- A** Turn the leveling legs **clockwise to raise** the refrigerator, **counterclockwise to lower** it.

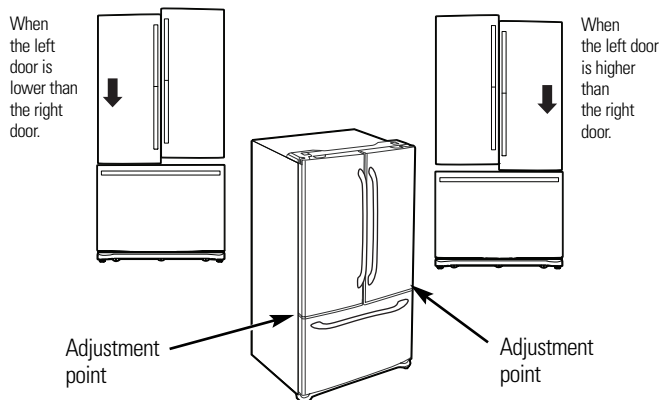


Flat-Head Screwdriver

**CAUTION:** To avoid possible personal injury or property damage, the leveling legs must be firmly touching the floor.

### 13 LEVEL THE REFRIGERATOR DOORS

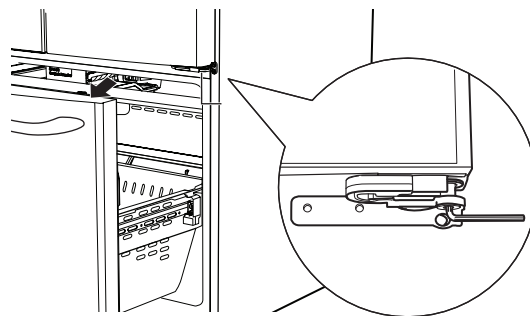
Remember a level refrigerator is necessary for getting the doors perfectly even. If you need help, review the previous section on leveling the refrigerator.



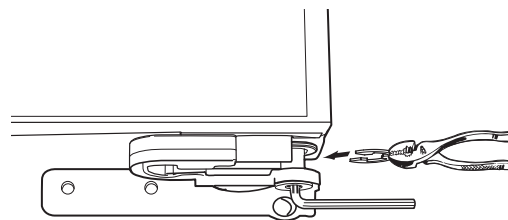
- A** If you open the freezer door, you can see the center hinge.
- B** Insert the supplied 4 mm Allen wrench into the shaft of the center hinge.

### 13 LEVEL THE REFRIGERATOR DOORS (cont.)

- C** Adjust the height by turning clockwise or counterclockwise. When you turn counterclockwise, the door will move up.



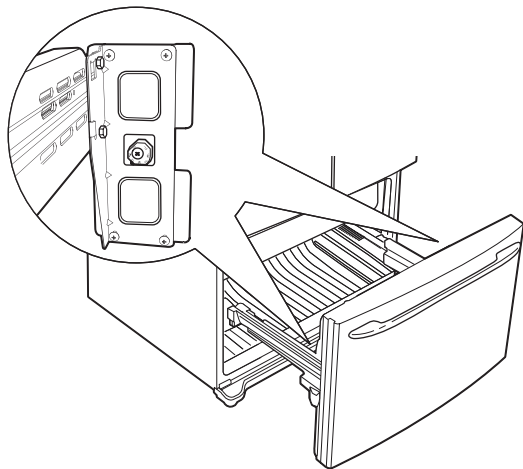
- D** After adjusting the doors, insert the supplied fastener ring using a pair of pliers in the gap between the hinge grommet and the center hinge. The number of fastener rings you will need to insert depends on the gap.



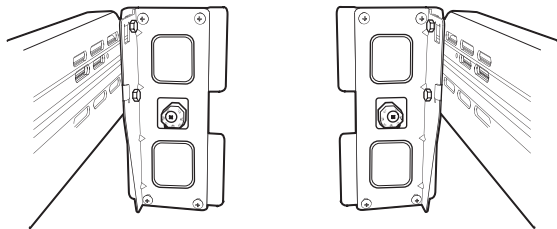
**NOTE:** Four fastener rings are enclosed with the refrigerator. Thickness of each fastener ring is 0.04".

# Installation Instructions

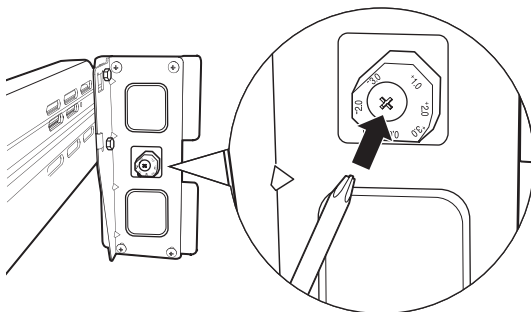
## 14 LEVEL THE FREEZER DOOR



- A** Locate the height adjuster in the freezer door. Slightly loosen the four Phillips-head screws from the door on each side (right and left).

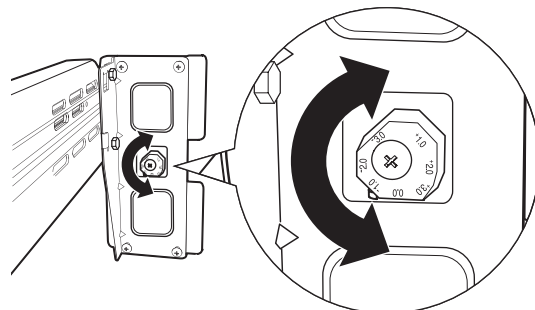


- B** Loosen the controller screw with a Phillips-head screwdriver to adjust the level.

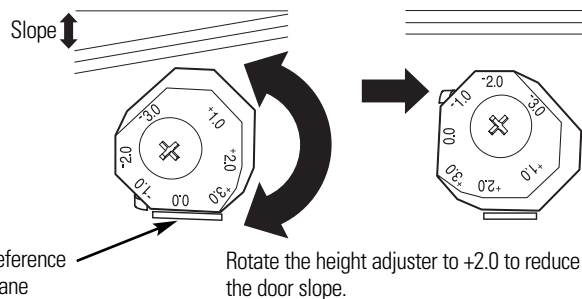


## 14 LEVEL THE FREEZER DOOR (cont.)

- C** Find the best position to align the door slope.



Example: The slope is about 2 mm as shown below.



- D** After adjustment, tighten all the screws.

## 15 SET THE CONTROLS

Set the controls to the recommended setting.

RECOMMENDED CONTROL SETTINGS



## 16 REMOVE PACKAGING

- A** Remove all tape, foam and protective packing from shelves and drawers.

# Installation Instructions

## INSTALLING THE WATER LINE

### BEFORE YOU BEGIN

Recommended copper water supply kits are WX8X2, WX8X3 or WX8X4, depending on the amount of tubing you need. Approved plastic water supply lines are GE SmartConnect™ Refrigerator Tubing (WX08X10006, WX08X10015 and WX08X10025).

When connecting your refrigerator to a GE Reverse Osmosis Water System, the only approved installation is with a GE RVKit. For other reverse osmosis water systems, follow the manufacturer's recommendations.

If the water supply to the refrigerator is from a Reverse Osmosis Water Filtration System AND the refrigerator also has a water filter, use the refrigerator's filter bypass plug. Using the refrigerator's water filtration cartridge in conjunction with the MWF filter can result in hollow ice cubes.

This water line installation is not warranted by the refrigerator or icemaker manufacturer. Follow these instructions carefully to minimize the risk of expensive water damage.

Water hammer (water banging in the pipes) in house plumbing can cause damage to refrigerator parts and lead to water leakage or flooding. Call a qualified plumber to correct water hammer before installing the water supply line to the refrigerator.

To prevent burns and product damage, do not hook up the water line to the hot water line.

**For Non-LCD Models:** If the refrigerator is operated before the water connection is made to the icemaker, press and release the **ICE OFF/LOCK** pad on the control panel to disengage the icemaker. When the refrigerator has been connected to the water supply, press and release the **ICE OFF/LOCK** pad on the control panel to engage the icemaker.

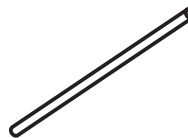
**For LCD Models:** If the refrigerator is operated before the water connection is made to the icemaker, see ICEMAKER under Screen Functions of the LCD Operations section and follow the screen commands to turn the icemaker OFF.

Do not install the icemaker tubing in areas where temperatures fall below freezing.

When using any electrical device (such as a power drill) during installation, be sure the device is double insulated or grounded in a manner to prevent the hazard of electric shock, or is battery powered.

All installations must be in accordance with local plumbing code requirements.

### WHAT YOU WILL NEED



- **Copper or GE SmartConnect™ Refrigerator Tubing kit**, 1/4" outer diameter to connect the refrigerator to the water supply. If using copper, be sure both ends of the tubing are cut square.

To determine how much tubing you need: measure the distance from the water valve on the back of the refrigerator to the water supply pipe. Be sure there is sufficient extra tubing to allow the refrigerator to move out from the wall after installation.

GE SmartConnect™ Refrigerator Tubing Kits are available in the following lengths:

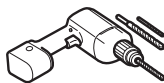
- 6' (1.8 m) – WX08X10006
- 15' (4.6 m) – WX08X10015
- 25' (7.6 m) – WX08X10025

# Installation Instructions

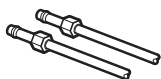
## WHAT YOU WILL NEED (CONT.)

**NOTE:** The only GE approved plastic tubing is that supplied in GE SmartConnect™ Refrigerator Tubing kits. Do not use any other plastic water supply line because the line is under pressure at all times. Certain types of plastic will crack or rupture with age and cause water damage to your home.

- A **GE water supply kit** (containing tubing, shutoff valve and fittings listed below) is available at extra cost from your dealer or from Parts and Accessories, 800.626.2002 (in Canada 1.888.261.3055).
- A **cold water supply**. The water pressure must be between 20 and 120 p.s.i. (1.4–8.1 bar).



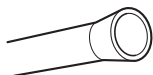
- **Power drill.**
- **1/2" or adjustable wrench.**
- **Straight and Phillips blade screwdriver.**



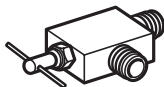
- **Two 1/4" outer diameter compression nuts and 2 ferrules (sleeves)**—to connect the copper tubing to the shutoff valve and the refrigerator water valve.

**OR**

- If you are using a GE SmartConnect™ Refrigerator Tubing kit, the necessary fittings are preassembled to the tubing.



- If your existing copper water line has a flared fitting at the end, you will need an **adapter** (available at plumbing supply stores) to connect the water line to the refrigerator **OR** you can cut off the flared fitting with a **tube cutter** and then use a compression fitting. Do not cut formed end from GE SmartConnect™ Refrigerator tubing.



- **Shutoff valve** to connect to the cold water line. The shutoff valve should have a water inlet with a minimum inside diameter of 5/32" at the point of connection to the **COLD WATER LINE**. Saddle-type shutoff valves are included in many water supply kits. Before purchasing, make sure a saddle-type valve complies with your local plumbing codes.

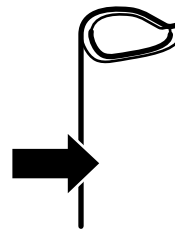
Install the shutoff valve on the nearest frequently used drinking water line.

## 1 SHUT OFF THE MAIN WATER SUPPLY

Turn on the nearest faucet long enough to clear the line of water.

## 2 CHOOSE THE VALVE LOCATION

Choose a location for the valve that is easily accessible. It is best to connect into the side of a vertical water pipe. When it is necessary to connect into a horizontal water pipe, make the connection to the top or side, rather than at the bottom, to avoid drawing off any sediment from the water pipe.

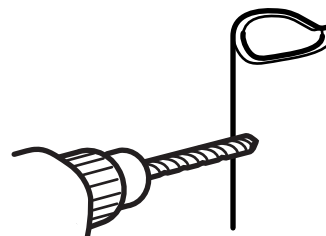


## 3 DRILL THE HOLE FOR THE VALVE

Drill a 1/4" hole in the water pipe (even if using a self-piercing valve), using a sharp bit. Remove any burrs resulting from drilling the hole in the pipe.

**Take care not to allow water to drain into the drill.**

Failure to drill a 1/4" hole may result in reduced ice production or smaller cubes.



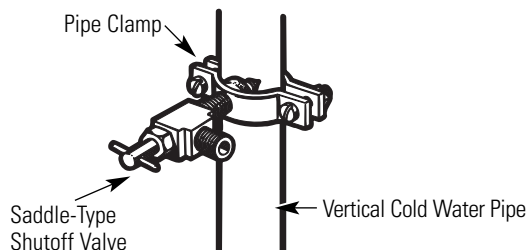


# Installation Instructions

## INSTALLING THE WATER LINE (CONT.)

### 4 FASTEN THE SHUTOFF VALVE

Fasten the shutoff valve to the cold water pipe with the pipe clamp.

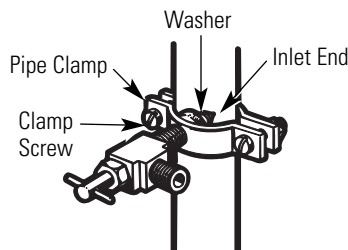


**NOTE:** Commonwealth of Massachusetts Plumbing Codes 248CMR shall be adhered to. Saddle valves are illegal and use is not permitted in Massachusetts. Consult with your licensed plumber.

### 5 TIGHTEN THE PIPE CLAMP

Tighten the clamp screws until the sealing washer begins to swell.

**NOTE:** Do not overtighten or you may crush the tubing.



### 6 ROUTE THE TUBING

Route the tubing between the cold water line and the refrigerator.

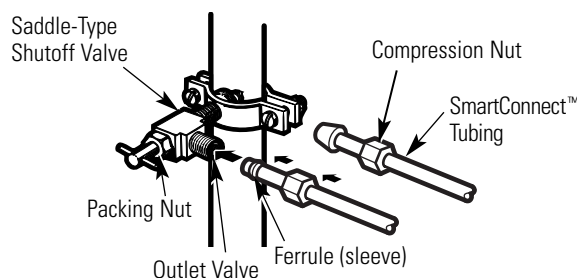
Route the tubing through a hole drilled in the wall or floor (behind the refrigerator or adjacent base cabinet) as close to the wall as possible.

### 7 CONNECT THE TUBING TO THE VALVE

Place the compression nut and ferrule (sleeve) for copper tubing onto the end of the tubing and connect it to the shutoff valve.

Make sure the tubing is fully inserted into the valve. Tighten the compression nut securely.

For plastic tubing from a GE SmartConnect™ Refrigerator Tubing kit, insert the molded end of the tubing into the shutoff valve and tighten compression nut until it is hand tight, then tighten one additional turn with a wrench. Overtightening may cause leaks.



**NOTE:** Commonwealth of Massachusetts Plumbing Codes 248CMR shall be adhered to. Saddle valves are illegal and use is not permitted in Massachusetts. Consult with your licensed plumber.

### 8 FLUSH OUT THE TUBING

Turn the main water supply on and flush out the tubing until the water is clear.

Shut the water off at the water valve after about one quart (1 liter) of water has been flushed through the tubing.



To complete the installation of the refrigerator, go back to Step 9 in *Installing the Refrigerator*.



# Normal operating sounds.



Newer refrigerators sound different from older refrigerators. Modern refrigerators have more features and use newer technology.

**Do you hear what I hear? These sounds are normal.**

**HUMMM...  
WHOOSH...**

- The new high efficiency compressor may run faster and longer than your old refrigerator and you may hear a high-pitched hum or pulsating sound while it is operating.
- You may hear a whooshing sound when the doors close. This is due to pressure equalizing within the refrigerator.



- You may hear the fans spinning at high speeds. This happens when the refrigerator is first plugged in, when the doors are opened frequently or when a large amount of food is added to the refrigerator or freezer compartments. The fans are helping to maintain the correct temperatures.
- The fans change speeds in order to provide optimal cooling and energy savings.


**CLICKS, POPS,  
CRACKS and SNAPS**

- You may hear cracking or popping sounds when the refrigerator is first plugged in. This happens as the refrigerator cools to the correct temperature.
- The freezer control will click when starting or stopping the compressor.
- Expansion and contraction of cooling coils during and after defrost can cause a cracking or popping sound.
- On models with an icemaker, after an icemaking cycle, you may hear the ice cubes dropping into the ice bucket.
- On models with a dispenser, during water dispense, you may hear the water lines move at initial dispense and after dispenser button is released.

**WATER SOUNDS**



- The flow of refrigerant through the freezer cooling coils may make a gurgling noise like boiling water.
- Water dropping on the defrost heater can cause a sizzling, popping or buzzing sound during the defrost cycle.
- A water dripping noise may occur during the defrost cycle as ice melts from the evaporator and flows into the drain pan.
- Closing the door may cause a gurgling sound due to pressure equalization.

 For additional information on normal icemaker operating sounds, see the **About the automatic icemaker** section.

# Before you call for service...





**Troubleshooting Tips**  
Save time and money! Review the charts on the following pages first and you may not need to call for service.

Problem	Possible Causes	What To Do
Refrigerator does not operate	Refrigerator in defrost cycle.	• Wait about 30 minutes for defrost cycle to end.
	Refrigerator is unplugged.	• Push the plug completely into the outlet.
	The fuse is blown/circuit breaker is tripped.	• Replace fuse or reset the breaker.
Vibration or rattling (slight vibration is normal)	Leveling legs need adjusting.	• See <i>Level the Refrigerator</i> .

## Before you call for service...



### Troubleshooting Tips

Problem	Possible Causes	What To Do
Motor operates for long periods or cycles on and off frequently. (Modern refrigerators with more storage space and a larger freezer require more operating time. They start and stop often to maintain even temperatures.)	Normal when refrigerator is first plugged in.	<ul style="list-style-type: none"> <li>• Wait 24 hours for the refrigerator to completely cool down.</li> </ul>
	Often occurs when large amounts of food are placed in refrigerator.	<ul style="list-style-type: none"> <li>• This is normal.</li> </ul>
	Door left open.	<ul style="list-style-type: none"> <li>• Check to see if package is holding door open.</li> </ul>
	Hot weather or frequent door openings.	<ul style="list-style-type: none"> <li>• This is normal.</li> </ul>
	Temperature control set at the coldest setting.	<ul style="list-style-type: none"> <li>• See <i>About the controls</i>.</li> </ul>
Refrigerator or freezer compartment too warm	TurboCool function has been activated.	<ul style="list-style-type: none"> <li>• This is normal when the TurboCool function is activated. See <i>About TurboCool</i> for more information.</li> </ul>
	Temperature controls not set cold enough.	<ul style="list-style-type: none"> <li>• See <i>About the controls</i>.</li> </ul>
Frost or ice crystals on frozen food (frost within package is normal)	Warm weather or frequent door openings.	<ul style="list-style-type: none"> <li>• Set the temperature control one step colder. See <i>About the controls</i>.</li> </ul>
	Door left open.	<ul style="list-style-type: none"> <li>• Check to see if package is holding door open.</li> </ul>
Frequent "buzzing" sound	Door left open.	<ul style="list-style-type: none"> <li>• Check to see if package is holding door open.</li> </ul>
	Door openings too frequent or too long.	<ul style="list-style-type: none"> <li>• This is normal.</li> </ul>
Small or hollow cubes	Ice Off feature is turned off, but the water supply to the refrigerator has not been connected.	<p><b>Non-LCD models:</b></p> <ul style="list-style-type: none"> <li>• Press and release the <b>ICE OFF/LOCK</b> pad on the control panel to <b>turn on</b> the Ice Off feature, and then the  icon will be displayed. Keeping the Ice Off feature <b>on</b> will damage the water valve.</li> </ul> <p><b>LCD models:</b></p> <ul style="list-style-type: none"> <li>• On the LCD screen, select <b>SETTING</b>, then <b>SYSTEM</b> to get access to the icemaker.</li> </ul>
	Water filter clogged.	<ul style="list-style-type: none"> <li>• Replace filter cartridge with new cartridge or with plug.</li> </ul>
Automatic icemaker does not work	Ice Off feature is turned on.	<p><b>Non-LCD models:</b></p> <ul style="list-style-type: none"> <li>• Press and release the <b>ICE OFF/LOCK</b> pad on the control panel to <b>turn off</b> the Ice Off feature, and then the  icon will disappear.</li> </ul> <p><b>LCD models:</b></p> <ul style="list-style-type: none"> <li>• On the LCD screen, select <b>SETTING</b>, then <b>SYSTEM</b> to get access to the icemaker. Select <b>ON</b>.</li> </ul>
	Water supply turned off or not connected.	<ul style="list-style-type: none"> <li>• See <i>Installing the water line</i>.</li> </ul>
	Freezer compartment too warm.	<ul style="list-style-type: none"> <li>• Wait 24 hours for the refrigerator to completely cool down.</li> </ul>
	Piled up cubes in the storage bin cause the icemaker to shut off.	<ul style="list-style-type: none"> <li>• Level cubes by hand.</li> </ul>
	Ice cubes stuck in icemaker.	<ul style="list-style-type: none"> <li>• <b>Turn off</b> the icemaker, remove cubes and turn the icemaker back on.</li> </ul>

<b>Problem</b>	<b>Possible Causes</b>	<b>What To Do</b>
<b>Ice cubes have odor/taste</b>	Food transmitting odor/taste to ice cubes.	<ul style="list-style-type: none"> <li>• Wrap foods well.</li> </ul>
	Interior of refrigerator needs cleaning.	<ul style="list-style-type: none"> <li>• See <i>Care and cleaning</i>.</li> <li>• Keep an open box of baking soda in the refrigerator; replace every three months.</li> </ul>
<b>Slow ice cube freezing</b>	Door left open.	<ul style="list-style-type: none"> <li>• Check to see if package is holding door open.</li> </ul>
	Freezer control not set cold enough.	<ul style="list-style-type: none"> <li>• See <i>About the controls</i>.</li> </ul>
<b>Refrigerator has odor</b>	Foods transmitting odor to refrigerator.	<ul style="list-style-type: none"> <li>• Foods with strong odors should be tightly wrapped.</li> <li>• Keep an open box of baking soda in the refrigerator; replace every three months.</li> </ul>
	Interior needs cleaning.	<ul style="list-style-type: none"> <li>• See <i>Care and cleaning</i>.</li> </ul>
<b>Moisture forms on outside of refrigerator</b>	Not unusual during periods of high humidity.	<ul style="list-style-type: none"> <li>• Wipe surface dry and reset the refrigerator control one setting colder.</li> <li>• <b>Turn off</b> Energy Saver mode.</li> </ul>
<b>Moisture collects inside (in humid weather, air carries moisture into refrigerator when doors are opened)</b>	Too frequent or too long door openings.	<ul style="list-style-type: none"> <li>• This is normal.</li> </ul>
<b>Refrigerator or freezer compartment light does not work</b>	No power at outlet.	<ul style="list-style-type: none"> <li>• Replace fuse or reset the breaker.</li> </ul>
	Light bulb burned out or loose.	<ul style="list-style-type: none"> <li>• See <i>Replacing the light bulbs</i>.</li> </ul>
<b>Door/drawer does not close by itself</b>	Leveling legs need adjusting.	<ul style="list-style-type: none"> <li>• See <i>Installing the Refrigerator</i>.</li> </ul>
<b>Hot air from bottom of refrigerator</b>	Normal air flow cooling motor. In the refrigeration process, it is normal that heat be expelled in the area under the refrigerator. Some floor coverings will discolor at these normal and safe temperatures.	
<b>Food freezing in the refrigerator</b>	Food too close to the air vent at the back of the refrigerator.	<ul style="list-style-type: none"> <li>• Move the food away from the air vent.</li> </ul>
	Refrigerator control is set too cold.	<ul style="list-style-type: none"> <li>• Move the refrigerator control to a warmer temperature setting one increment at a time.</li> </ul>

## Before you call for service...



### Troubleshooting Tips

<b>Problem</b>	<b>Possible Causes</b>	<b>What To Do</b>
<b>Water has poor taste/odor</b>	<b>Water dispenser has not been used for a long time.</b>	<ul style="list-style-type: none"> <li>• Dispense water until all water in system is replenished.</li> </ul>
<b>Water in first glass is warm</b>	<b>Normal when refrigerator is first installed.</b>	<ul style="list-style-type: none"> <li>• Wait 24 hours for the refrigerator to completely cool down.</li> </ul>
	<b>Water dispenser has not been used for a long time.</b>	<ul style="list-style-type: none"> <li>• Dispense water until all water in system is replenished.</li> </ul>
	<b>Water system has been drained.</b>	<ul style="list-style-type: none"> <li>• Allow several hours for replenished supply to chill.</li> </ul>
<b>Water dispenser does not work</b>	<b>Water supply line turned off or not connected.</b>	<ul style="list-style-type: none"> <li>• See <i>Installing the water line</i>.</li> </ul>
	<b>Water filter clogged.</b>	<ul style="list-style-type: none"> <li>• Replace filter cartridge or remove filter and install plug.</li> </ul>
	<b>Air may be trapped in the water system.</b>	<ul style="list-style-type: none"> <li>• Press the dispenser arm for at least 2 minutes.</li> </ul>
	<b>Water in reservoir is frozen because the controls are set too cold.</b>	<ul style="list-style-type: none"> <li>• Set the refrigerator control to a warmer setting and wait 24 hours. If water does not dispense after 24 hours, call for service.</li> </ul>
<b>Water spurting from dispenser</b>	<b>Newly installed filter cartridge.</b>	<ul style="list-style-type: none"> <li>• Run water from the dispenser for 3 minutes (about 1½ gallons).</li> </ul>
<b>No water or ice cube production</b>	<b>Supply line or shutoff valve is clogged.</b>	<ul style="list-style-type: none"> <li>• Call a plumber.</li> </ul>
	<b>Water filter clogged.</b>	<ul style="list-style-type: none"> <li>• Replace filter cartridge or remove filter and install plug.</li> </ul>
	<b>Filter cartridge not properly installed.</b>	<ul style="list-style-type: none"> <li>• Remove and reinstall filter cartridge, being certain that it locks into place. The blade on the end of the cartridge should be positioned vertically.</li> </ul>
<b>Water is leaking from dispenser</b>	<b>Glass not being held under the dispenser long enough after button is released.</b>	<ul style="list-style-type: none"> <li>• Hold the glass underneath the dispenser for 2–3 seconds after releasing the dispenser button. Water may continue to dispense after the button is released.</li> </ul>
	<b>Air may be present in the water line system, causing water to drip after being dispensed.</b>	<ul style="list-style-type: none"> <li>• Dispense water for at least 2 minutes to remove air from system.</li> </ul>

<b>Problem</b>	<b>Possible Causes</b>	<b>What To Do</b>
<i>Water filter indicator light changed color</i>	This is normal.	<ul style="list-style-type: none"> <li>See <i>About the water filter</i> for more information.</li> </ul>
<i>Water filter indicator light remains red even after replacing the water filter</i>	Water filter indicator must be reset.	<p><b>Non-LCD models:</b></p> <ul style="list-style-type: none"> <li>Press and hold the <b>ICE &amp; WATER</b> pad for 3 seconds. See <i>About the water filter</i> for more information.</li> </ul> <p><b>LCD models:</b></p> <ul style="list-style-type: none"> <li>On the LCD screen, select <b>SETTING</b>, then <b>WATER FILTER</b>. Select <b>REPLACE</b> and follow the instructions given.</li> </ul>
<i>Water filter indicator light is not lit</i>	This is normal. This light will turn orange to tell you that you need to replace the filter soon. The filter cartridge should be replaced when the replacement indicator light turns red.	<ul style="list-style-type: none"> <li>See <i>About the water filter</i> for more information.</li> </ul>
<i>Handle is loose / handle has a gap</i>	Handle needs adjusting.	<ul style="list-style-type: none"> <li>See <i>Attach the Fresh Food handle</i> and <i>Attach the Freezer handle</i> sections for detailed instructions.</li> </ul>
<i>Refrigerator beeping</i>	This is the door alarm.	<ul style="list-style-type: none"> <li>Close door.</li> </ul>
<i>Control setting is not lit (non-LCD models)</i>	On some models, the light bulbs at the top of the refrigerator compartment light up the temperature control settings.	<ul style="list-style-type: none"> <li>If the control settings do not light up, check to see if the light bulbs are burned out, and replace if necessary.</li> </ul>
<i>LCD screen freezes (LCD models)</i>	LCD screen needs to be reset.	<ul style="list-style-type: none"> <li>Reset the LCD screen by inserting a paper clip into the small hole next to the SD card slot under the front edge of the dispenser opening (see <i>Screen Functions: Photos</i> for location).</li> </ul>

<b>Consumer Support</b>	<b>Troubleshooting Tips</b>	<b>Installation Instructions</b>	<b>Operating Instructions</b>	<b>Safety Instructions</b>
-------------------------	-----------------------------	----------------------------------	-------------------------------	----------------------------

**Notes.**

---

## GE Service Protection Plus™

GE, a name recognized worldwide for quality and dependability together with Assurant Solutions, offers you Service Protection Plus™—comprehensive protection on your appliances.\*

### Benefits Include:

- Prompt, reliable service from GE Authorized Servicicers
- Convenient hours designed to suit your busy schedule
- Quality replacement parts
- The dependability of GE, a name recognized and trusted worldwide
- Ask about our interest-free payment plans

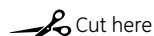
### With Service Protection Plus you can expect:

- An extended service plan that limits unexpected repair bills
- Service coverage for most major brands
- Unlimited service calls for the length of your contract, or credit toward a replacement product
- Service coverage for covered operating parts and labor on appliances and home electronics that fail during normal single family household use
- Your satisfaction is our goal. We strive to provide you with excellent service in a professional and timely manner.

Place your confidence in GE and call us in the U.S. toll-free at **1.800.626.2224** for more information.

\*Most brands covered up to 15 years old in the continental U.S.

SPP is a trademark of General Electric Company.



Please place in envelope and mail to:

**General Electric Company**  
**Warranty Registration Department**  
**P.O. Box 32150**  
**Louisville, KY 40232-2150**

# Consumer Product Ownership Registration

Dear Customer:

Thank you for purchasing our product and thank you for placing your confidence in us.

We are proud to have you as a customer!

Follow these three steps to protect your new appliance investment:

# 1

**Complete and mail your Consumer Product Ownership Registration today.**

Have the peace of mind of knowing we can contact you in the unlikely event of a safety modification.

# 2

After mailing the registration below, store this document in a safe place. It contains information you will need should you require service. Our service number is 800 GE CARES (800.432.2737).


# 3

Read your Owner's Manual carefully. It will help you operate your new appliance properly.

Model Number

Serial Number

**Important: If you did not get a registration card with your product, detach and return the form below to ensure that your product is registered, or register online at [ge.com](http://ge.com).**

 Cut here

## Consumer Product Ownership Registration



Model Number

Serial Number

Mr.  Ms.  Mrs.  Miss

First Name

Last Name

Street Address

Apt. #

E-mail Address\*

City

State

Zip Code

Date Placed In Use  
Month

Day

Year

Phone Number



**GE Consumer & Industrial Appliances**  
General Electric Company  
Louisville, KY 40225  
[ge.com](http://ge.com)

\* Please provide your e-mail address to receive, via e-mail, discounts, special offers and other important communications from GE Appliances (GEA).

Check here if you do not want to receive communications from GEA's carefully selected partners.

FAILURE TO COMPLETE AND RETURN THIS CARD DOES NOT DIMINISH YOUR WARRANTY RIGHTS.

For information about GEA's privacy and data usage policy, go to [ge.com](http://ge.com) and click on "Privacy Policy" or call 800.626.2224.



---

Please place in envelope and mail to:  
Veuillez mettre dans une enveloppe et envoyez à :

**OWNERSHIP REGISTRATION  
P.O. BOX 1780  
MISSISSAUGA, ONTARIO  
L4Y 4G1**

**(FOR CANADIAN CONSUMERS ONLY)**

---



For Canadian  
Customers



Pour les  
Consommateurs  
Canadiens

CUT ALONG THIS LINE AND RETURN CARD—THANKS

### OWNERSHIP REGISTRATION CERTIFICATE – FICHE D'INSCRIPTION DU PROPRIÉTAIRE

Please register your product to enable us to contact you in the remote event a safety notice is issued for this product and to allow for efficient communication under the terms of your warranty, should the need arise.

Veillez enregistrer votre produit afin de nous permettre de communiquer avec vous si jamais un avis de sécurité concernant ce produit était émis et de communiquer facilement avec vous en vertu de votre garantie, si le besoin s'en fait sentir.

REGISTER ON-LINE: ENREGISTREMENT SUR INTERNET À:		<a href="http://www.geappliances.ca">www.geappliances.ca</a>		MAIL TO: POSTER À:	<b>P.O. BOX 1780, MISSISSAUGA ONTARIO, L4Y 4G1</b>
<input type="checkbox"/> MR./M	<input type="checkbox"/> MRS./MME.	FIRST NAME / PRÉNOM		LAST NAME / NOM	
<input type="checkbox"/> MISS/MLLE.	<input type="checkbox"/> MS.				
STREET NO / N° RUE		STREET NAME / RUE			APT. NO / APP. / RR#
CITY / VILLE				PROVINCE	POSTAL CODE / POSTAL
AREA CODE / IND. RÉG.	TELEPHONE	E-MAIL			
DID YOU PURCHASE A SERVICE CONTRACT FOR THIS APPLIANCE? AVEZ-VOUS ACHETÉ UN CONTRAT DE SERVICE POUR CET APPAREIL ?				YES / OUI <input type="checkbox"/>	IF YES / SI OUI: EXPIRATION
				NO / NON <input type="checkbox"/>	Y/A M D/J
NAME OF SELLING DEALER / NOM DU MARCHAND				MODEL / MODÈLE	
INSTALLATION DATE / DATE D'INSTALLATION Y/A M D/J		CORRESPONDENCE CORRESPONDANCE	<input type="checkbox"/> ENGLISH <input type="checkbox"/> FRANÇAIS	SERIAL / SÉRIE	
<input type="checkbox"/> I do not wish to receive any promotional offers regarding this product. <input type="checkbox"/> Je ne désire pas recevoir d'offres promotionnelles concernant ce produit.					

# Refrigerator Warranty. (For customers in the United States)



All warranty service provided by our Factory Service Centers, or an authorized Customer Care® technician. To schedule service, on-line, visit us at [ge.com](http://ge.com), or call 800.GE.CARES (800.432.2737). Please have serial number and model number available when calling for service.

Staple your receipt here.  
Proof of the original purchase date is needed to obtain service under the warranty.

## For The Period Of: **GE Will Replace:**

### GE and GE PROFILE MODELS:

<b>One Year</b> <i>From the date of the original purchase</i>	<b>Any part</b> of the refrigerator which fails due to a defect in materials or workmanship. During this <b>limited one-year warranty</b> , GE will also provide, <b>free of charge</b> , all labor and related service to replace the defective part.
<b>Thirty Days</b> <i>(Water filter, if included) From the original purchase date of the refrigerator</i>	<b>Any part</b> of the water filter cartridge which fails due to a defect in materials or workmanship. During this <b>limited thirty-day warranty</b> , GE will also provide, <b>free of charge</b> , a replacement water filter cartridge.

### GE PROFILE MODELS ONLY:

<b>Five Years</b> <i>(GE Profile models only) From the date of the original purchase</i>	<b>Any part of the sealed refrigerating system</b> (the compressor, condenser, evaporator and all connecting tubing) which fails due to a defect in materials or workmanship. During this <b>limited five-year sealed refrigerating system warranty</b> , GE will also provide, <b>free of charge</b> , all labor and related service to replace the defective part in the sealed refrigerating system.
---	---

## What GE Will Not Cover:

- Service trips to your home to teach you how to use the product.
- Improper installation, delivery or maintenance.
- Failure of the product if it is abused, misused, or used for other than the intended purpose or used commercially.
- Loss of food due to spoilage.
- Replacement of house fuses or resetting of circuit breakers.
- Damage caused after delivery.
- Replacement of the water filter cartridge, if included, due to water pressure that is outside the specified operating range or due to excessive sediment in the water supply.
- Replacement of the light bulbs, if included, or water filter cartridge, if included, other than as noted above.
- Damage to the product caused by accident, fire, floods or acts of God.
- Incidental or consequential damage caused by possible defects with this appliance.
- Product not accessible to provide required service.

**EXCLUSION OF IMPLIED WARRANTIES—Your sole and exclusive remedy is product repair as provided in this Limited Warranty. Any implied warranties, including the implied warranties of merchantability or fitness for a particular purpose, are limited to one year or the shortest period allowed by law.**

This warranty is extended to the original purchaser and any succeeding owner for products purchased for home use within the USA. If the product is located in an area where service by a GE Authorized Servicer is not available, you may be responsible for a trip charge or you may be required to bring the product to an Authorized GE Service location for service. In Alaska, the warranty excludes the cost of shipping or service calls to your home.

Some states do not allow the exclusion or limitation of incidental or consequential damages. This warranty gives you specific legal rights, and you may also have other rights which vary from state to state. To know what your legal rights are, consult your local or state consumer affairs office or your state's Attorney General.

# CUSTOMER WARRANTY

(for customers in Canada)

Your refrigerator is warranted to be free of defects in material and workmanship.

What is covered	How Long Warranted (From Date of Sale)	Parts Repair or Replace at Mabe's Option	Labour
Compressor	GE Profile: Ten (10) Years GE and All Other Brands: One (1) Year	GE Profile: Ten (10) Years GE and All Other Brands: One (1) Year	GE Profile: Five (5) Years GE and All Other Brands: One (1) Year
Sealed System (including evaporator, condenser tubing and refrigerant)	GE Profile: Five (5) Years GE and All Other Brands: One (1) Year	GE Profile: Five (5) Years GE and All Other Brands: One (1) Year	GE Profile: Five (5) Years GE and All Other Brands: One (1) Year
All Other Parts	One (1) Year	One (1) Year	One (1) Year

## TERMS AND CONDITIONS:

This warranty applies only for single family domestic use in Canada when the Refrigerator has been properly installed according to the instructions supplied by Mabe and is connected to an adequate and proper utility service.

Damage due to abuse, accident, commercial use, and alteration or defacing of the serial plate cancels all obligations of this warranty.

Service during this warranty period must be performed by an Authorized Mabe Service Agent.

Neither Mabe nor the Dealer is liable for any claims or damages resulting from failure of the Refrigerator or from service delays beyond their reasonable control.

To obtain warranty service, purchaser must present the original Bill of Sale. Components repaired or replaced are warranted through the remainder of the original warranty period only.

This warranty is extended to the original purchaser and any succeeding owner for products purchased for home use within Canada. In home warranty service will be provided in areas where it is available and deemed reasonable by Mabe to provide.

This warranty is in addition to any statutory warranty.

## WHAT IS NOT COVERED:

- Owner is responsible to pay for service calls related to product installation and/or teaching how to use the product.
- Damage to finish must be reported within 48 hours following the delivery of the appliance.
- Damage to finish after delivery.
- Improper installation—proper installation includes adequate air circulation to the refrigeration system, adequate electrical, plumbing and other connecting facilities.
- Replacement of house fuses or resetting of circuit breakers.
- Replacement of light bulbs.
- Damage to product caused by accident, fire, floods or acts of God.
- Loss of food due to spoilage.
- Proper use and care of product as listed in the owner's manual, proper setting of controls.
- Product not accessible to provide required service.
- **WARRANTOR IS NOT RESPONSIBLE FOR CONSEQUENTIAL DAMAGES.**

**EXCLUSION OF IMPLIED WARRANTIES—Your sole and exclusive remedy is product repair as provided in this Limited Warranty. Any implied warranties, including the implied warranties of merchantability or fitness for a particular purpose, are limited to one year or the shortest period allowed by law.**

## IMPORTANT

**Keep this warranty and your bill of sale as proof of original purchase and purchase date.  
Please have serial number and model number available when calling for service.**

Mabe Service is available coast to coast. If further help is needed concerning this warranty, contact:

Manager, Consumer Relations  
Mabe Canada Inc., Consumer Service  
1 Factory Lane, Suite 310  
Moncton, New Brunswick E1C 9M3  
1.800.561.3344

*Staple your receipt here.  
Proof of the original purchase  
date is needed to obtain service  
under the warranty.*

**Performance Data Sheet**  
**SmartWater Filtration System**  
**MWF Cartridge**

**This system has been tested according to NSF/ANSI 42/53 for reduction of the substances listed below. The concentration of the indicated substances in water entering the system was reduced to a concentration less than or equal to the permissible limit for water leaving the system, as specified in NSF/ANSI 42/53.\***  
 (100% safety factors built in for unmetered usage)

Standard No. 42: Aesthetic Effects								
Parameter	USEPA MCL	Influent Challenge Concentration	Influent Average	Effluent		% Reduction		Min. Required Reduction
				Average	Maximum	Average	Minimum	
Chlorine	—	2.0 mg/L ± 10%	1.96 mg/L	0.06 mg/L	0.11 mg/L	96.77%	94.74%	> 50%
T & O	—	—	—	—	—	—	—	—
Particulate**	—	≥ 10,000 particles/mL	6,400,000 #/mL	58,833 #/mL	150,000 #/mL	99.14%	97.97%	≥ 85%

Standard No. 53: Health Effects								
Parameter	USEPA MCL	Influent Challenge Concentration	Influent Average	Effluent		% Reduction		Min. Required Reduction
				Average	Maximum	Average	Minimum	
Turbidity	0.5 NTU	11 ± 1 NTU***	10.5 NTU	0.14 NTU	0.28 NTU	98.54%	97.20%	0.5 NTU
Cysts	≥ 99.95% Reduction	Minimum 50,000 L	118,750 #/L	< 1 #/L	4 #/L	> 99.99%	> 99.99%	≥ 99.95%
Asbestos	≥ 99% Reduction	10 <sup>7</sup> to 10 <sup>8</sup> fibers/L; > 10µm	57 MF/L	0.996 MF/L	< 1 MF/L	99.60%	99.39%	≥ 99%
Lead at pH 6.5	0.015 mg/L	0.15 mg/L ± 10%	0.1567 mg/L	< 0.001 mg/L	< 0.001 mg/L	99.36%	99.29%	0.010 mg/L
Lead at pH 8.5	0.015 mg/L	0.15 mg/L ± 10%	0.1433 mg/L	< 0.001 mg/L	< 0.001 mg/L	99.30%	99.29%	0.010 mg/L
Mercury at pH 6.5	0.002 mg/L	0.006 mg/L ± 10%	0.0059 mg/L	0.000350 mg/L	0.0007 mg/L	94.70%	87.50%	0.002 mg/L
Mercury at pH 8.5	0.002 mg/L	0.006 mg/L ± 10%	0.0057 mg/L	0.000325 mg/L	0.0006 mg/L	93.20%	89.29%	0.002 mg/L
Alachlor	0.002 mg/L	0.04 mg/L ± 10%	0.0367 mg/L	0.00023 mg/L	0.0004 mg/L	99.34%	98.67%	0.002 mg/L
Lindane	0.0002 mg/L	0.002 mg/L ± 10%	0.0020 mg/L	< 0.00002 mg/L	< 0.00002 mg/L	99.00%	98.95%	0.0002 mg/L
2,4-D	0.070 mg/L	0.210 mg/L ± 10%	0.2033 mg/L	0.00337 mg/L	0.011000 mg/L	98.32%	94.50%	0.070 mg/L
Toxaphene	0.003 mg/L	0.015 mg/L ± 10%	0.0160 mg/L	0.00100 mg/L	0.001000 mg/L	93.44%	91.67%	0.003 mg/L
Benzene	0.005 mg/L	0.015 mg/L ± 10%	0.0145 mg/L	0.000500 mg/L	0.000500 mg/L	96.51%	95.83%	0.005 mg/L
Carbofuran	0.040 mg/L	0.080 mg/L ± 10%	0.0830 mg/L	0.001000 mg/L	0.001000 mg/L	98.78%	98.65%	0.04 mg/L
1,4 dichlorobenzene	0.075 mg/L	0.225 mg/L ± 10%	0.2283 mg/L	0.000500 mg/L	0.000500 mg/L	99.78%	99.77%	0.075 mg/L
Atrazine	0.003 mg/L	0.009 mg/L ± 10%	0.0087 mg/L	< 0.0005 mg/L	< 0.0005 mg/L	94.22%	93.33%	0.003 mg/L

\* Tested using a flow rate of 0.50 gpm; pressure of 60 psig; pH of 7.5 ± 0.5; temp. of 68° ± 5°F (20° ± 3°C)

\*\* Measurement in Particles/ml. Particles used were 0.5-1 microns

\*\*\* NTU=Nephelometric Turbidity units

**Operating Specifications**

- Capacity: certified for up to 300 gallons (1135 l); up to six months for models without a replacement filter indicator light; up to one year for models with a replacement filter indicator light
- Pressure requirement: 40–120 psi (2.8–8.2 bar), non-shock
- Temperature: 33–100°F (0.6–38°C)
- Flow rate: 0.5 gpm (1.9 lpm)

**General Installation/Operation/Maintenance Requirements**

- Flush new cartridge at full flow for 3 minutes to purge out trapped air.
- Replace cartridge when the indicator light flashes or water flow rate is reduced on non-indicator units.

**Special Notices**

- Installation instructions, parts and service availability, and standard warranty are included with the product when shipped.
- This drinking water system must be maintained according to manufacturer’s instructions, including replacement of filter cartridges.
- Do not use with water that is microbiologically unsafe or of unknown quality without adequate disinfection before or after the system. Systems certified for cyst reduction may be used on disinfected water that may contain filterable cysts.
- The contaminants or other substances removed or reduced by this water treatment system are not necessarily in your water.
- Check for compliance with the state and local laws and regulations.
- Note that while the testing was performed under standard laboratory conditions, actual performance may vary. Systems must be installed and operated in accordance with manufacturer’s recommended procedures and guidelines.

System Tested and Certified by NSF International against ANSI/NSF Standard 42 & 53 for the reduction of:	
<b>Standard No. 42: Aesthetic Effects</b>	<b>Standard No. 53: Health Effects</b>
Chemical Unit	Chemical Reduction Unit
Chlorine Taste and Odor	Alachlor and Atrazine Reduction
Mechanical Filtration Unit	Benzene and Carbofuran Reduction
Particulate Reduction, Class I	1,4 dichlorobenzene and 2,4-D Reduction
	Lead and Lindane Reduction
	Mercury and Toxaphene Reduction
	Mechanical Filtration Unit
	Turbidity Reduction
	Cyst and Asbestos Reduction



State of California  
Department of Health Services

**Water Treatment Device  
Certificate Number**

**05 - 1698**

Date Issued: February 2, 2005

---

**Trademark/Model Designation**

MWF

**Replacement Elements**

MWF

---

**Manufacturer:** General Electric Company

---

The water treatment device(s) listed on this certificate have met the testing requirements pursuant to Section 116830 of the Health and Safety Code for the following health related contaminants:

**Microbiological Contaminants and Turbidity**

Cysts  
Turbidity

**Organic Contaminants**

Alachlor  
Atrazine  
Benzene  
Carbofuran  
Lindane  
Mercury  
Toxaphene  
1,4-dichlorobenzene  
2,4-D

**Inorganic/Radiological Contaminants**

Asbestos  
Lead  
Mercury

---

**Rated Service Capacity:** 300 gal

**Rated Service Flow:** 0.5 gpm

---

**Conditions of Certification:**

Do not use where water is microbiologically unsafe or with water of unknown quality, except that systems certified for cyst reduction may be used on disinfected waters that may contain filterable cysts.

**Mesures de sécurité** .....52, 53

**Fonctionnement**

Congélateur .....69  
Contrôle pour les modèles ACL .....54-61  
Contrôle pour les modèles non équipés  
d'un écran ACL. ....62, 63  
Entretien et nettoyage  
du réfrigérateur .....71, 72  
Le distributeur .....64  
Le filtre à eau .....65  
Les bacs à rangement et bacs à légume ...68  
Machine à glaçons automatique .....70  
Options de conservation  
du réfrigérateur. ....66 , 67  
Remplacement des ampoules .....73

**Installation**

Installation de la conduite d'eau .....84-86  
Installation du réfrigérateur .....76-83  
Préparation .....74, 75

**Conseils de dépannage** .....87-91  
Bruits normaux de fonctionnement .....87

**Soutien au consommateur**

Feuillet de données relatives à la  
performance de la cartouche .....93  
Garantie pour la clientèle au Canada .....92  
Soutien au consommateur .....94

**Transcrivez les numéros de modèle et de série ici :**

**# de modèle** \_\_\_\_\_

**# de série** \_\_\_\_\_

Ils figurent sur l'étiquette qui se trouve à l'intérieur  
du compartiment réfrigérateur en milieu à gauche.

Mesures de sécurité
Fonctionnement
Installation
Conseils de dépannage
Soutien au consommateur

# MESURES DE SÉCURITÉ IMPORTANTES. LISEZ D'ABORD TOUTES LES DIRECTIVES.

## ⚠ AVERTISSEMENT!

N'utilisez cet électroménager que pour l'usage auquel il est destiné, comme expliqué dans le présent manuel.



## MESURES DE SÉCURITÉ

Lorsque vous utilisez un appareil électrique, observez toujours les mesures de sécurité de base, y compris les suivantes.

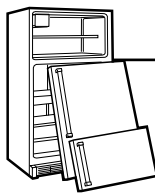
- Installez le réfrigérateur conformément aux directives d'installation avant de l'utiliser.
- Ne laissez pas les enfants grimper, s'asseoir, se tenir debout ni se pendre aux clayettes du réfrigérateur. Ils pourraient endommager le réfrigérateur et se blesser gravement.
- Ne touchez pas les surfaces froides du congélateur si vous avez les mains humides ou mouillées : la peau risque d'adhérer à ces surfaces très froides.
- N'entreposez et n'utilisez pas d'essence ou autres vapeurs et liquides inflammables à proximité de cet appareil ou de tout autre appareil électroménager.
- Si votre réfrigérateur est doté d'une machine à glaçons automatique évitez le contact avec les pièces mobiles du mécanisme éjecteur, ou avec l'élément chauffant situé à la partie inférieure de la machine à glaçons. Ne posez pas les doigts ou les mains sur le mécanisme de la machine à glaçons pendant que le réfrigérateur est branché.
- Éloignez les doigts des parties du réfrigérateur où l'on peut facilement se pincer : les espaces entre les portes et entre les portes et les placards sont toujours étroits. Soyez prudent lorsque vous fermez les portes de l'appareil en présence des enfants.
- Débranchez votre réfrigérateur avant de le nettoyer ou de le réparer.

**REMARQUE :** Nous vous recommandons vivement de confier toute réparation à un technicien qualifié.

- Ne recongelez pas les aliments surgelés qui ont complètement dégelé.

## ⚠ DANGER! RISQUES POUR LES ENFANTS

### COMMENT VOUS DÉBARRASSER CONVENABLEMENT DE VOTRE ANCIEN RÉFRIGÉRATEUR



Les enfants pris au piège ou morts d'asphyxie sont toujours d'actualité. Les réfrigérateurs abandonnés sont toujours aussi dangereux, même si on n'attend que «quelques jours» pour s'en débarrasser. Si vous ne gardez pas votre ancien réfrigérateur, veuillez suivre les directives ci-dessous afin de prévenir les accidents.

#### Avant de vous débarrasser de votre ancien réfrigérateur ou congélateur :

- Démontez les portes.
- Laissez les clayettes en place afin d'empêcher les enfants de grimper à l'intérieur.

#### Réfrigérants

Tous les appareils de réfrigération contiennent des réfrigérants qui, conformément aux lois fédérales, doivent être enlevés avant toute élimination de l'appareil. Si vous vous débarrassez de vieux appareils de réfrigération, vérifiez, auprès de la société qui s'occupe de leur élimination, ce que vous devez faire.

## CORDONS PROLONGATEURS

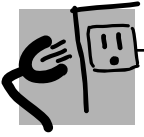


Nous vous recommandons fortement de ne pas utiliser de cordons prolongateurs à cause des risques potentiels qu'ils présentent dans certaines conditions.

Toutefois si vous décidez d'utiliser tout de même un cordon prolongateur, il est absolument nécessaire qu'il s'agisse d'un cordon à 3 fils avec mise à la terre pour appareils électroménagers homologué UL (aux États-Unis) ou certifié CSA (au Canada), pourvu d'une fiche et d'une prise mises à la terre de 15 ampères (minimum) et de 120 volts.



## ⚠ AVERTISSEMENT!



### RACCORDEMENT ÉLECTRIQUE

*Ne coupez ni retirez en aucun cas la troisième broche (mise à la terre) de la fiche du cordon d'alimentation. Pour votre sécurité, cet appareil doit être correctement mis à la terre.*

Le cordon d'alimentation de cet appareil est muni d'une fiche à 3 broches (mise à la terre) qui se branche dans une prise murale ordinaire à 3 alvéoles (mise à la terre) pour réduire au minimum les risques de chocs électriques.

Faites examiner la prise de courant et le circuit par un électricien qualifié pour vous assurer que la prise est correctement mise à la terre.

Si la prise murale est du type standard à 2 alvéoles, il vous incombe de la faire remplacer par une prise à 3 alvéoles correctement mise à la terre.

Le réfrigérateur doit toujours être branché dans sa propre prise de courant, dont la tension nominale est identique à celle indiquée sur la plaque signalétique.

Cette précaution est recommandée pour garantir un rendement optimum et éviter une surcharge des circuits électriques de la résidence, ce qui pourrait créer un risque d'incendie par surchauffe des fils.

Ne débranchez jamais le réfrigérateur en tirant sur le cordon d'alimentation. Saisissez fermement la fiche du cordon et tirez droit pour la retirer de la prise.

Réparez ou remplacez immédiatement tout cordon effiloché ou endommagé. N'utilisez pas un cordon fendillé ou présentant des signes d'usure.

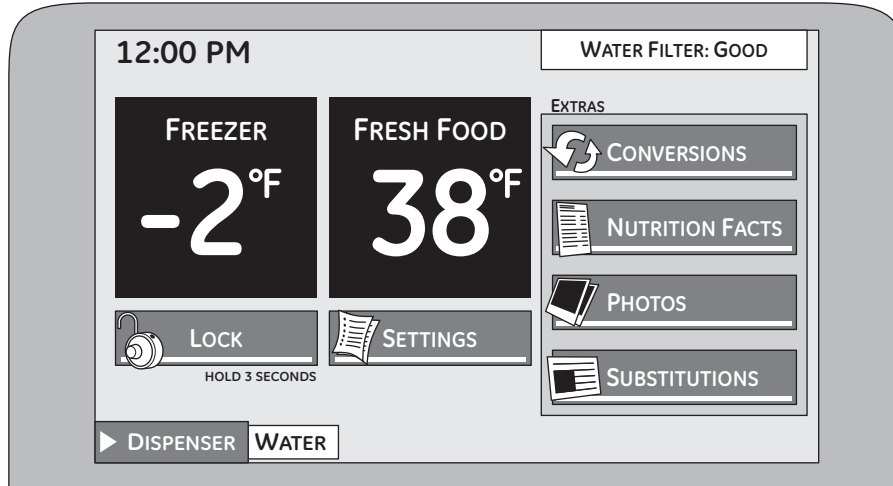
Lorsque vous déplacez votre réfrigérateur du mur, faites attention de ne pas le faire rouler sur le cordon d'alimentation afin de ne pas l'endommager.



**VEUILLEZ LIRE ET SUIVRE ATTENTIVEMENT CES MESURES DE SÉCURITÉ.**

**CONSERVEZ CES DIRECTIVES**

# Au sujet du panneau de contrôle 18 cm (7 po) pour les modèles ACL.



**REMARQUE :** Le réfrigérateur est expédié avec une pellicule de protection couvrant les commandes de température. Si cette pellicule n'a pas été retirée au cours de l'installation faites-le maintenant.

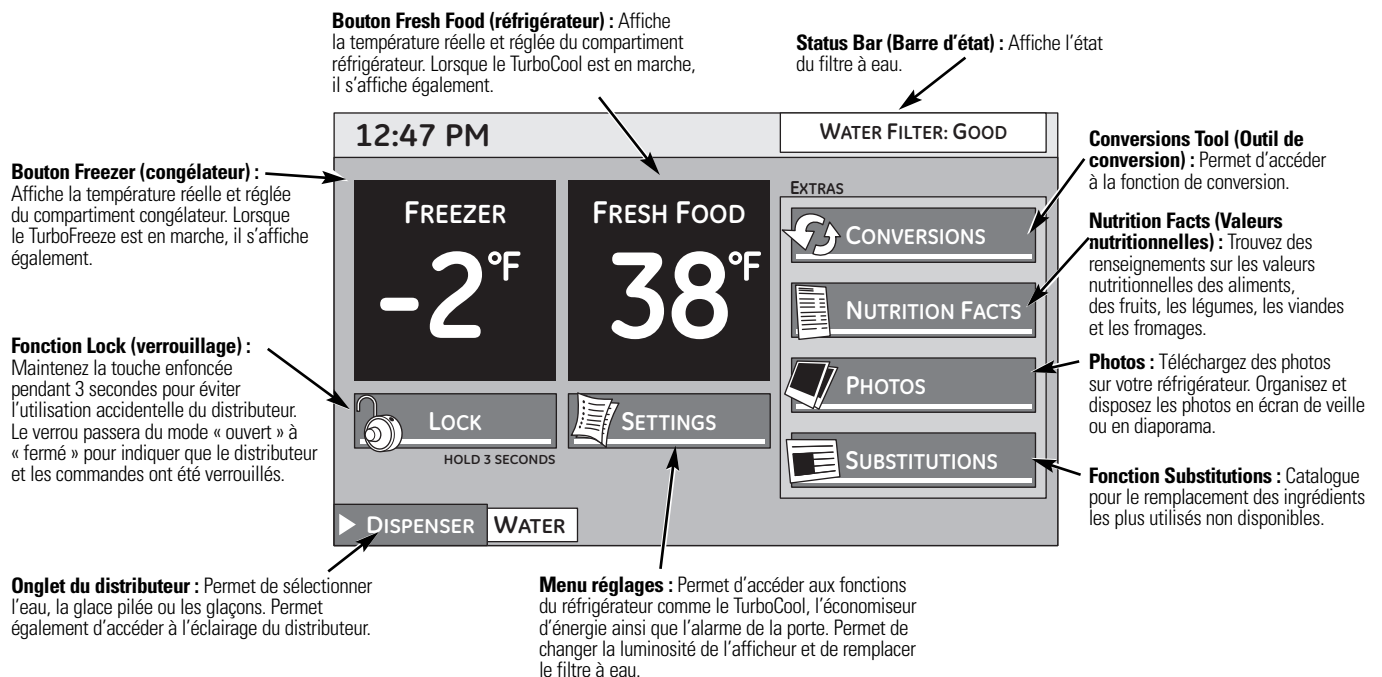
La température est pré-réglée à l'usine au numéro **38° F** pour le compartiment réfrigérateur et **-2° F** pour le compartiment congélateur. Attendez 24 heures que la température se stabilise aux températures recommandées pré-réglées.

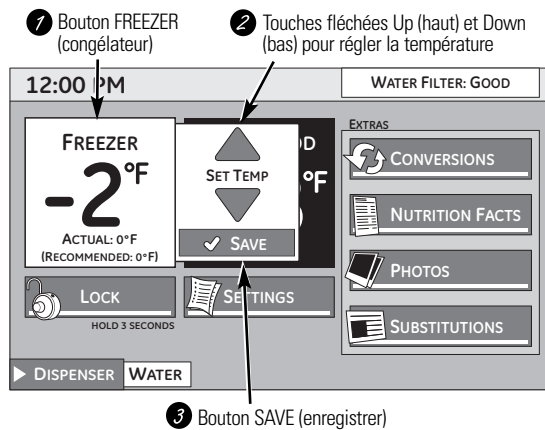
Le réglage de température peut indiquer la température **SET** (réglée) ainsi que la température réelle dans le compartiment réfrigération et dans le compartiment congélation. La température **SET** (réglée) peut varier légèrement de la température réelle, selon l'utilisation et les conditions de fonctionnement.

Remettez n'importe quand à zéro l'écran ACL en insérant l'extrémité d'un trombone dans le petit trou situé près de la fente pour carte SD sous l'arête frontale du distributeur.

## L'écran Home (écran principal)

L'écran **HOME** (écran principal) est l'affichage par défaut du réfrigérateur. Vous pouvez changer la température du réfrigérateur et du congélateur depuis cet écran, choisir le réglage désiré de distributeur de glace et d'eau et accéder aux autres fonctions indiquées ci-dessous. Pour revenir à cet écran, vous pouvez appuyer en tout temps sur le bouton **HOME** (écran principal) qui se trouve dans le coin inférieur droit de l'écran.



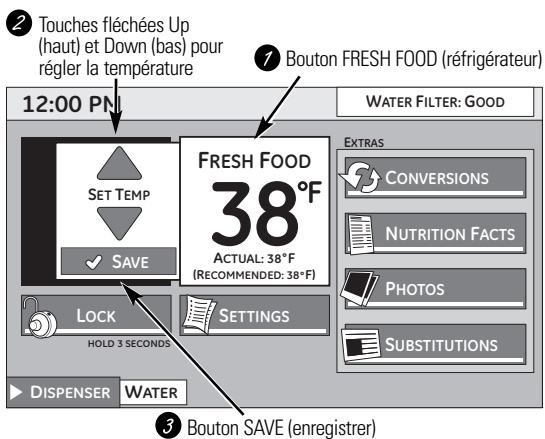


## Écran Home (écran principal)

### Température du CONGÉLATEUR :

Pour changer la température du compartiment congélateur, appuyez sur le bouton **FREEZER** (congélateur) et utilisez les touches fléchées **UP** (haut) et **DOWN** (bas) jusqu'à ce que la température souhaitée s'affiche à l'écran. Appuyez sur **SAVE** (enregistrer) pour confirmer la sélection. L'écran indiquera à la fois la température réelle et la température réglée jusqu'à ce que cette dernière soit atteinte. La température réelle peut varier légèrement par rapport à la température RÉGLÉE, en fonction de l'usage et du milieu de fonctionnement.

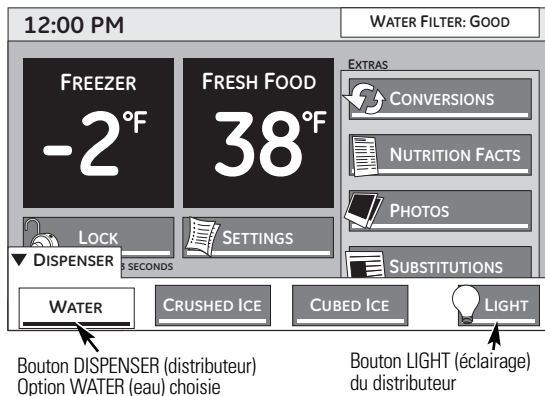
Chaque fois que vous procédez à un réglage, comptez 24 heures pour que le réfrigérateur atteigne la température désirée.



### Température du compartiment FRESH FOOD (RÉFRIGÉRATEUR) :

Pour changer la température du compartiment réfrigérateur, appuyez sur le bouton **FRESH FOOD** (réfrigérateur) et utilisez les touches fléchées **UP** (haut) et **DOWN** (bas) jusqu'à ce que la température souhaitée s'affiche à l'écran. Appuyez sur **SAVE** (enregistrer) pour confirmer la sélection. L'écran indiquera à la fois la température réelle et la température réglée jusqu'à ce que cette dernière soit atteinte. La température réelle peut varier légèrement par rapport à la température RÉGLÉE, en fonction de l'usage et du milieu de fonctionnement.

Chaque fois que vous procédez à un réglage, comptez 24 heures pour que le réfrigérateur atteigne la température désirée.



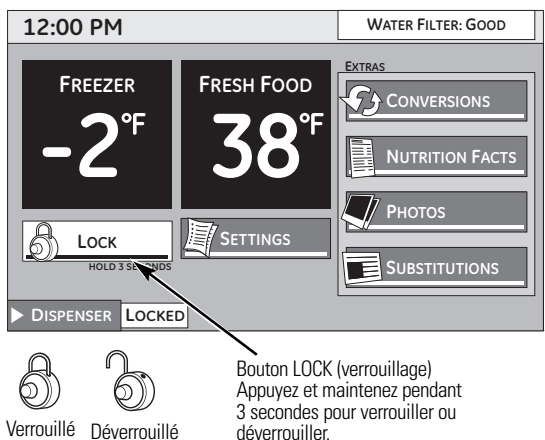
### DISTRIBUTEUR :

Le réfrigérateur peut distribuer de l'eau, de la glace pilée ou des glaçons. Pour procéder à une sélection, appuyez sur le bouton **DISPENSER** (distributeur), puis choisissez **WATER** (eau), **CRUSHED ICE** (glace pilée) ou **CUBED ICE** (glaçons). Après avoir réalisé la sélection, pressez un verre contre le bras du distributeur.

**REMARQUE :** Le bouton **DISPENSER** (distributeur) est disponible sur presque tous les écrans de fonction.

### ÉCLAIRAGE du distributeur :

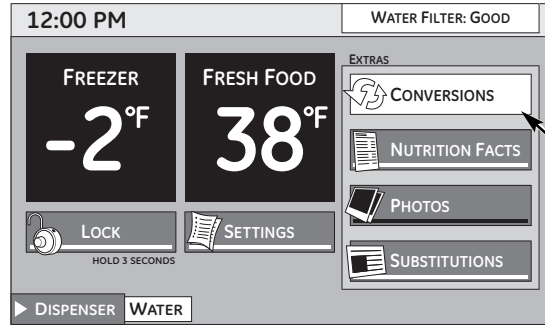
L'éclairage par défaut du distributeur est positionné à **OFF** (arrêt). Lorsque le bras du distributeur est enfoncé, la lampe s'allume automatiquement (et s'éteint 5 secondes après avoir relâché le bras). Pour allumer la lampe manuellement, appuyez sur le bouton **LIGHT** (éclairage). La lampe restera allumée jusqu'à ce qu'on appuie de nouveau sur le bouton **LIGHT** (éclairage).



### LOCK (VERROUILLAGE) :

Afin d'éviter l'utilisation accidentelle des boutons ou du distributeur, le panneau de commande est équipé d'une fonction de verrouillage. Lorsque celle-ci est enclenchée, le distributeur ainsi que les fonctions de l'écran ACL ne sont pas disponibles. Appuyez et maintenez le bouton **LOCK** pendant 3 secondes pour verrouiller ou déverrouiller le distributeur.

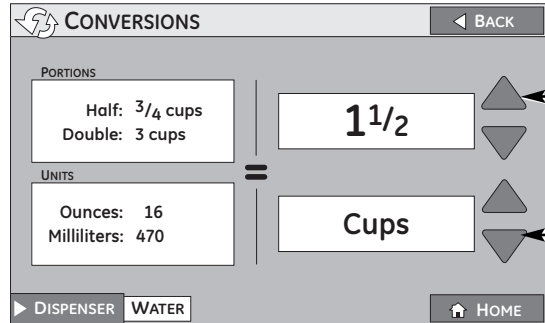
## Fonctions de l'écran.



### CONVERSIONS

Appuyez sur le bouton **CONVERSIONS** sur l'écran Home (écran principal) pour convertir une unité ou valeur vers une autre. Utilisez les touches fléchées **UP** (haut) et **DOWN** (bas) pour choisir la quantité ou les unités requises.

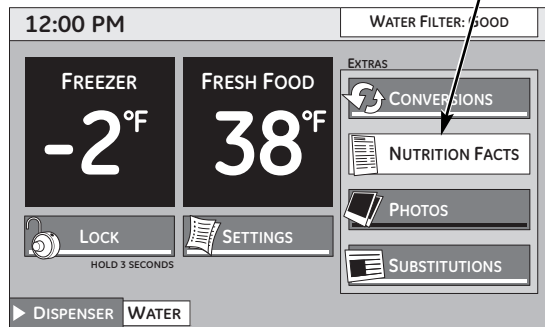
1 Bouton de conversions



2 Choix d'une portion

3 Choix d'une unité

1 Bouton de Valeurs Nutritionnelles



### VALEURS NUTRITIONNELLES

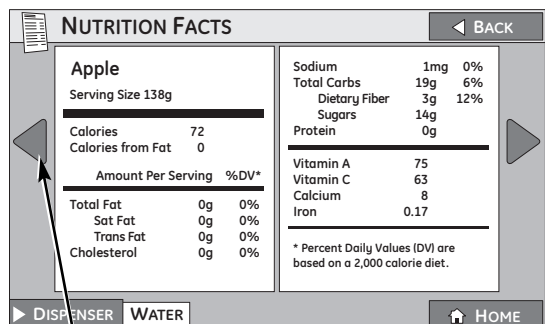
Appuyez sur le bouton **NUTRITION FACTS** (Valeurs nutritionnelles) sur l'écran **HOME** (écran principal) pour voir l'information nutritionnelle. Six options et un afficheur alphabétique s'affichent. Sélectionnez un de ces ingrédient ou faites défiler la liste par page ou par ordre alphabétique. Les touches fléchées **LEFT** (gauche) et **RIGHT** (droite) vous permettent de faire défiler la liste de gauche à droite sur la zone supérieure ou inférieure de l'afficheur. Pour revenir à l'écran **HOME** (écran principal), appuyez sur le bouton **HOME**.

2 Choix d'un ingrédient ou d'une lettre

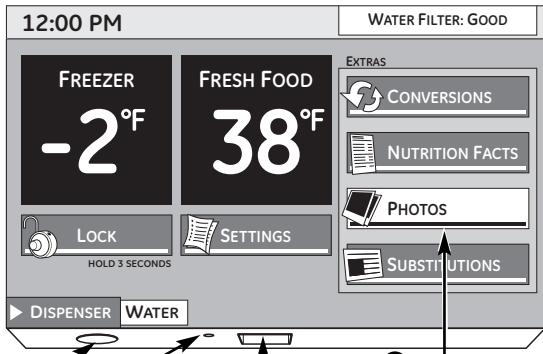


Numéro de la page

3 Défilement des pages ou de l'alphabet



4 Défilement à droite



Haut parleur Remise à zéro 2 Insérez la carte SD 1 Bouton Photos

## PHOTOS

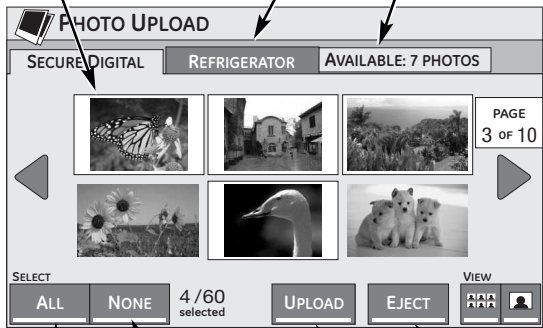
Utilisez le bouton **PHOTOS** pour charger et afficher vos photos préférées. Celles-ci peuvent être utilisées sous forme de diaporama d'une durée de 15 minutes ou sous forme d'écran de veille. Après deux minutes d'inactivité, l'écran de veille s'affichera sur l'écran ACL. Après 15 minutes, l'éclairage d'arrière-plan s'éteindra. Si vous choisissez plutôt la fonction diaporama, les photos défilent pendant 15 minutes avant que l'éclairage d'arrière-plan ne s'éteigne.

Appuyez sur le bouton **PHOTOS** sur l'écran **HOME** (écran principal) pour visionner les photos par défaut et pour lancer le processus de chargement de photos.

## CHARGEMENT DE PHOTOS

Pour charger des photos, insérez une carte mémoire SD dans la fente qui se trouve sous l'afficheur. Jusqu'à 100 photos (six par page) contenues dans la carte mémoire SD peuvent être affichées sous forme de miniatures en ordre chronologique. Vous pouvez charger un maximum de 30 photos. Les photos peuvent être sélectionnées une à la fois sur l'écran ou en utilisant le bouton **ALL** (toutes) si toutes les photos (maximum 30) contenues dans la carte mémoire SD sont à charger. Pour désélectionner toutes les photos, appuyez sur le bouton **NONE** (aucune). Lorsque vous avez sélectionné les photos appuyez sur le bouton **UPLOAD** (Chargement). Le chargement de 30 photos peut prendre entre 3 et 16 minutes. Vous pouvez appuyer sur le bouton **CANCEL** (annuler) en tout temps pour arrêter le processus de chargement. Lorsque le chargement est terminé, l'écran indiquera **UPLOAD COMPLETE** (Chargement terminé). Appuyez sur le bouton **EJECT** (éjecter) pour éjecter la carte mémoire SD puis attendez que l'afficheur vous demande de retirer la carte. Si la carte mémoire SD est retirée sans que vous ayez appuyé sur le bouton **EJECT** (éjecter), il se peut que les fichiers contenus dans la carte soient corrompus. Lorsque la carte mémoire SD est retirée, l'afficheur revient à l'écran **PHOTOS**.

Capacité mémoire : Nombre total de photos disponibles pour le chargement (maximum 30)  
Photos stockées dans la mémoire interne



3 Sélectionnez les photos  
Bouton ALL (Toutes) pour sélectionner toutes les photos contenues dans la carte SD  
Bouton NONE (Aucune) pour désélectionner toutes les photos contenues dans la carte SD  
4 Bouton UPLOAD (Charger)  
5 Bouton EJECT (Éjecter)  
6 Photos sélectionnées  
Nombre de pages disponibles

**REMARQUE :** Le distributeur ne fonctionnera pas pendant le téléchargement des photos.

## SÉLECTION DES PHOTOS

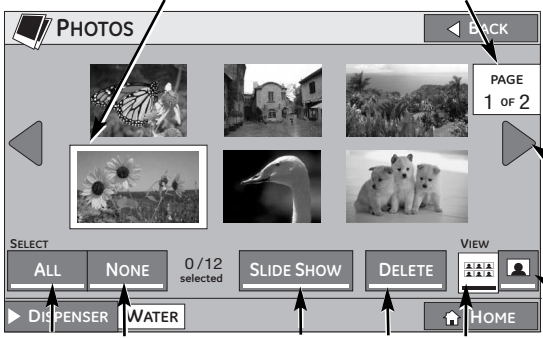
L'écran **PHOTOS** affichera 6 photos miniatures ou encore vous pouvez choisir l'option plein écran. Naviguez entre les écrans en utilisant les touches fléchées **LEFT** (gauche) et **RIGHT** (droite) qui se trouvent sur les côtés de l'afficheur. Dans l'écran des miniatures, sélectionnez les photos une par une en les touchant. Sélectionnez toutes les photos en appuyant sur le bouton **ALL** (toutes) ou désélectionnez-les en appuyant sur le bouton **NONE** (aucune).

## DIAPORAMA

Sélectionnez **SLIDE SHOW** (diaporama) dans le menu **PHOTOS** pour visualiser les photos chargées sous forme de diaporama, de la plus ancienne à la plus récente. (Ceci **N'ACTIVE PAS** le diaporama en tant qu'écran de veille. Cette fonction s'active dans la section **SYSTEMS** (systèmes).

## SUPPRIMER DES PHOTOS

Après avoir sélectionné les photos que vous souhaitez supprimer, appuyez sur le bouton **DELETE** (supprimer) soit sur l'écran des miniatures, soit sur le plein écran. Vous pouvez utiliser le bouton **ALL** (toutes) avec la fonction **DELETE** (supprimer). Il vous sera toujours possible d'annuler l'action en appuyant sur **CANCEL** (annuler) avant que les photos ne soient supprimées.

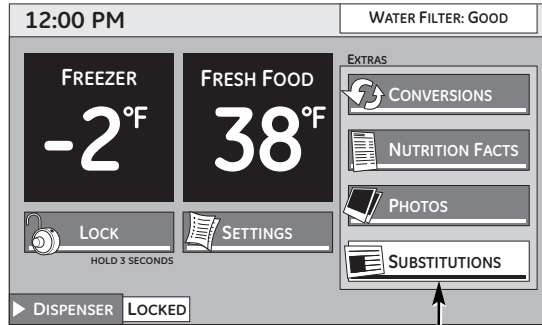


Bouton ALL (Toutes) pour sélectionner toutes les photos  
Bouton NONE (Aucune) pour désélectionner toutes les photos  
Bouton SLIDE SHOW (Diaporama)  
Bouton DELETE (Supprimer)  
7 Visionner les photos en plein écran

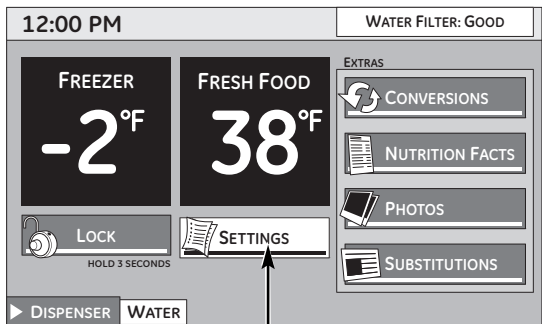
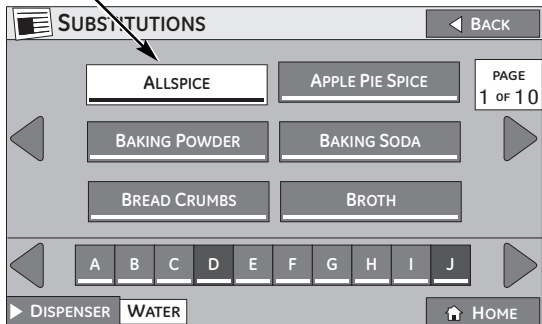


Nombre de photos disponibles  
Bouton DELETE (Supprimer)

## Fonctions d'écran.

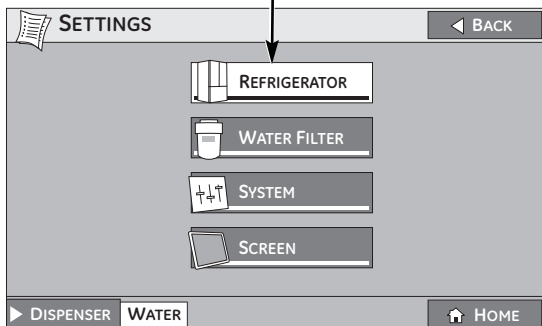


2 Sélection d'un ingrédient



7 Bouton SETTINGS (Réglages)

2 Bouton REFRIGERATOR (Réfrigérateur)



### SUBSTITUTIONS

Appuyez sur le bouton **SUBSTITUTIONS** dans le menu **HOME** (écran principal). L'écran affiché donne des conseils pour utiliser des substituts dans les recettes. Continuez en passant à l'écran suivant où 6 ingrédients par page sont affichés dans la section supérieure. Sélectionnez un ingrédient ou utilisez les touches fléchées **LEFT** (Gauche) et **RIGHT** (Droite) pour tourner les pages. La section inférieure est conçue pour une navigation par ordre alphabétique. Sélectionnez une lettre ou utilisez les touches fléchées **LEFT** (Gauche) et **RIGHT** (Droite) pour tourner les pages.

Une fois que vous avez sélectionné un ingrédient, une liste d'ingrédients et de proportions pouvant être utilisés comme substituts apparaît.

### RÉGLAGES

La fonction **SETTINGS** (réglages) vous permet:

- de configurer le **TurboCool<sup>MD</sup>**
- de configurer le **TurboFreeze<sup>MD</sup>**
- d'accéder aux instructions pour le remplacement du filtre à eau
- d'accéder à certaines fonctions comme l'alarme de porte
- de changer le système de mesures en métrique ou pouces

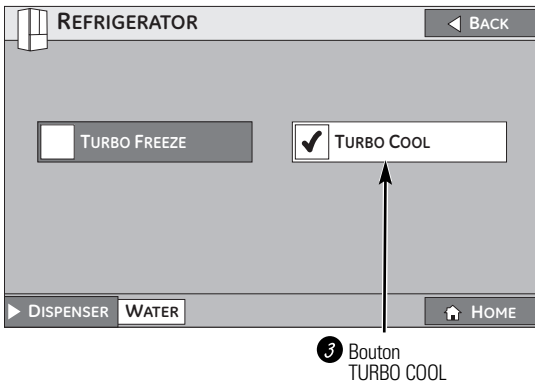
### RÉFRIGÉRATEUR

Appuyez sur le bouton **RÉFRIGÉRATEUR** pour accéder aux réglages de **TurboCool** pour le compartiment réfrigérateur ainsi qu'aux réglages de **TurboFreeze** pour le congélateur. **TurboCool** refroidit rapidement le compartiment réfrigérateur et **TurboFreeze** refroidit rapidement le compartiment congélateur. Utilisez ces fonctions lorsque vous mettez une grande quantité d'aliments dans l'un des compartiments, lorsque vous rangez des aliments laissés à température de la pièce ou bien lorsque vous vous apprêtez à garder des restes encore chauds. Cette fonction peut également être utilisée lorsque le réfrigérateur n'a pas été sous tension pendant une période prolongée. Le compresseur et le ventilateur du réfrigérateur ainsi que du congélateur se mettront immédiatement en marche jusqu'à ce que les compartiments atteignent la température indiquée. Le processus peut prendre jusqu'à trois heures et demie pour le réfrigérateur et jusqu'à deux heures et demie pour le congélateur.

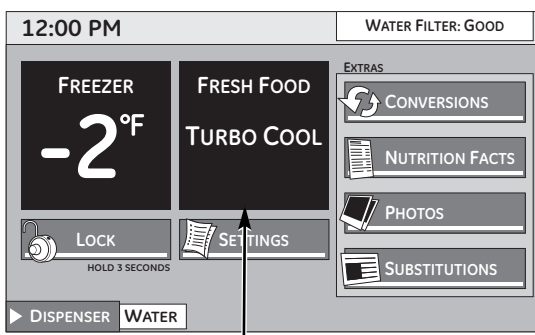


## RÉGLAGES (suite)

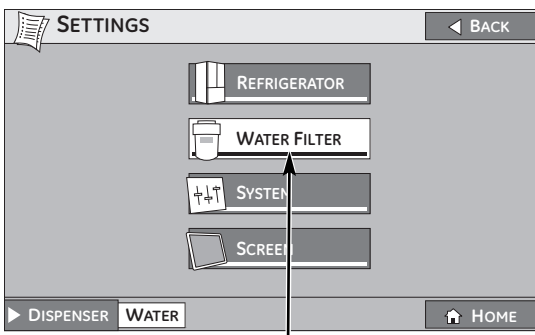
Lorsque vous utilisez la commande **TurboCool** ou **TurboFreeze**, une coche s'affiche dans la case à côté du bouton pour vous indiquer la mise en marche de la fonction. Ce témoin est également visible sur l'écran **HOME** (écran principal).



Bouton TURBO COOL



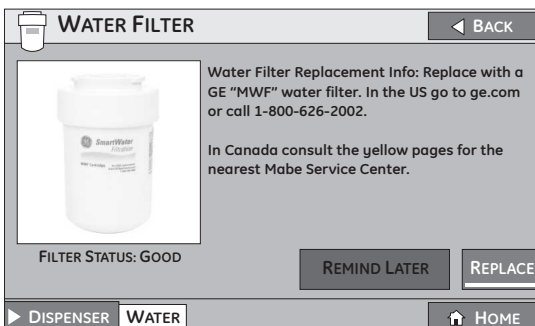
TURBO COOL sélectionné



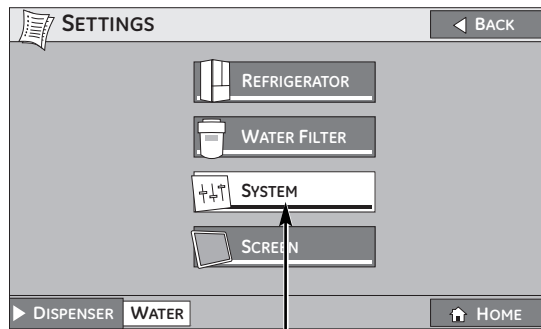
Bouton FILTRE À EAU

## FILTRE À EAU

Sélectionnez la commande **FILTRE À EAU** sur l'écran. L'écran **FILTRE À EAU** affiche **GOOD** (bon) lorsque celui-ci est en bon état, la mention **ORDER** (commander) s'affiche lors qu'il est temps d'acheter un nouveau filtre ou encore **REPLACE** (Remplacer) lorsque le filtre doit être remplacé. L'état du filtre à eau est également visible sur l'écran **HOME** (écran principal) dans le coin supérieur droit lorsque la porte est ouverte.

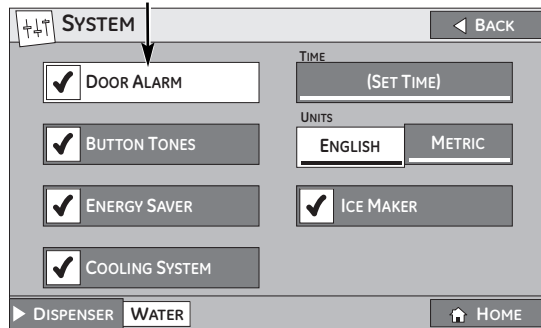


## Fonctions de l'écran.

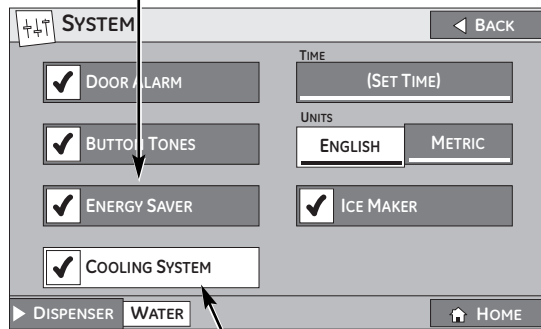


Bouton  
ALARME  
DE LA PORTE

Bouton SYSTÈME

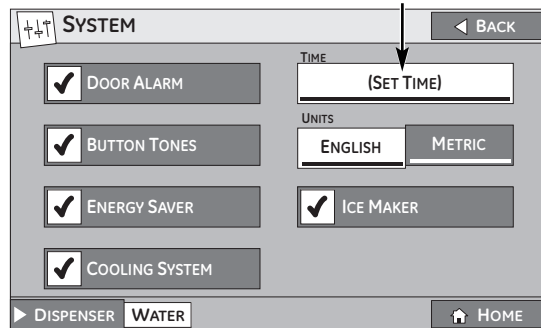


Bouton ÉCONOMISEUR D'ÉNERGIE

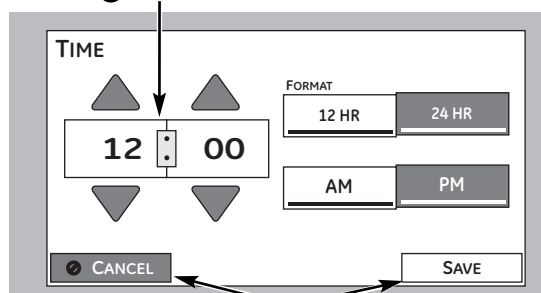


Bouton SYSTÈME DE  
REFROIDISSEMENT

7 Bouton RÉGLAGE  
DE L'HEURE



2 Régler l'heure



60

7 ENREGISTRER ou ANNULER

## RÉGLAGES (suite)

### SYSTÈME

Appuyez sur le bouton **SYSTÈME** pour avoir accès à :

- ALARME DE LA PORTE
- BOUTON DES SONNERIES
- ÉCONOMISEUR D'ÉNERGIE
- SYSTÈME DE REFROIDISSEMENT
- HEURE
- UNITÉS DE MESURE (anglais ou étriqué)

### ALARME DE LA PORTE

Une coche est visible à côté du bouton lorsque l'**ALARME DE LA PORTE** est **ACTIVÉE** (par défaut). Pour la **DÉSACTIVER**, appuyez sur le bouton **ALARME DE LA PORTE** (la coche disparaîtra). L'**ALARME DE LA PORTE** sonnera si la porte du réfrigérateur est ouverte pendant plus de trois minutes. L'écran d'alarme affichera **PORTE OUVERTE** et l'appareil émettra un bip à intervalles d'une minute jusqu'à ce que la porte soit fermée ou que le bouton **SILENCE** soit appuyé.

### BOUTON DES SONNERIES

Appuyez sur le **BOUTON DES SONNERIES** pour régler le son émis lorsque vous appuyez sur les boutons de l'écran **ACL**. Lorsque le bouton des sonneries est en position **ON** (marche – par défaut), le dispositif émet un son chaque fois qu'une touche est enfoncée. Pour désactiver cette fonction, sélectionnez le **BOUTON DES SONNERIES** (la coche disparaîtra).

### ÉCONOMISEUR D'ÉNERGIE

Ce réfrigérateur est livré avec la fonction **ÉCONOMISEUR D'ÉNERGIE** activée (mention **ON** cochée). Avec le temps, il se peut que de l'humidité se forme sur la surface avant du réfrigérateur. Si de l'humidité apparaît sur la surface du réfrigérateur, **ÉTEIGNEZ** l'**ÉCONOMISEUR D'ÉNERGIE** en appuyant sur le bouton (la coche disparaîtra).

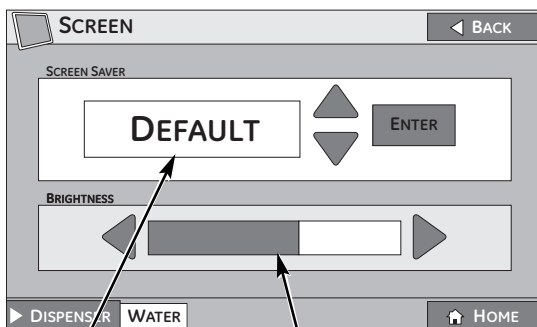
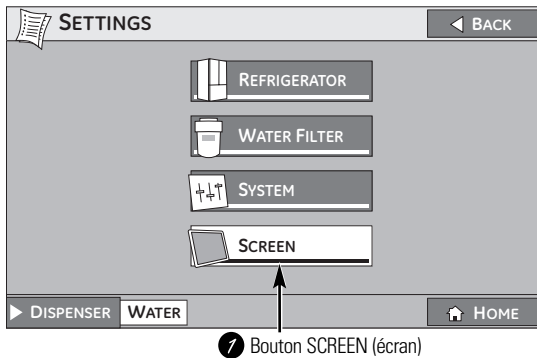
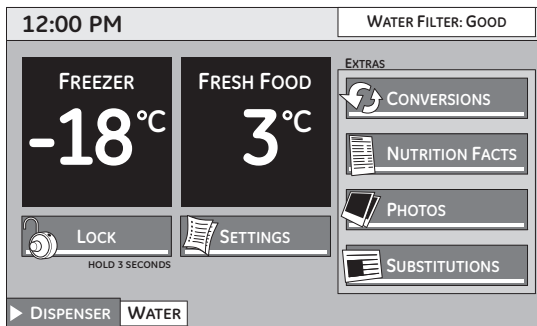
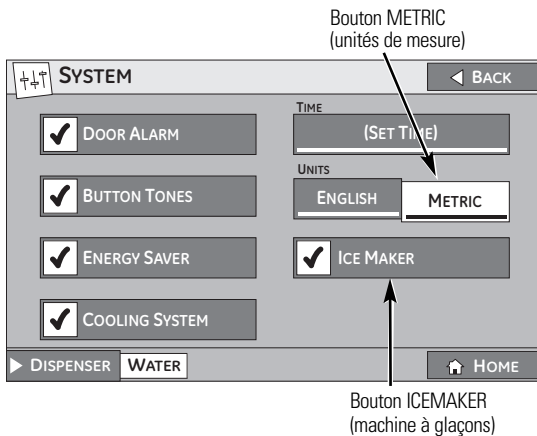
### SYSTÈME DE REFROIDISSEMENT

Cette fonction désactive le système de refroidissement des compartiments réfrigérateur et congélateur sans couper l'alimentation de l'appareil. Sur l'écran **SYSTEM** (système), appuyez sur le bouton **COOLING SYSTEM** (système de refroidissement). Pour **ACTIVER** ou **DÉSACTIVER** la fonction **COOLING SYSTEM**, sélectionnez-la dans l'écran **SYSTEM** (système).

### RÉGLAGE DE L'HEURE

Pour régler l'horloge, appuyez sur le bouton **SET TIME** (régler l'heure) sur l'écran **SYSTEM** (système). Pour régler l'heure et les minutes, utilisez les touches fléchées **UP** (haut) et **DOWN** (bas) qui se trouvent au-dessus et en dessous des chiffres. Pour basculer l'affichage d'**AM** à **PM**, sélectionnez le rectangle correspondant. Appuyez sur **SAVE** (enregistrer) ou **CANCEL** (annuler). Vous pouvez changer l'affichage pour le régler sur l'horloge de 24 heures en appuyant sur le bouton **24 HR**. Réglez l'heure et les minutes en utilisant les touches fléchées **UP** (haut) et **DOWN** (bas) qui se trouvent au-dessus et en dessous des chiffres. Appuyez sur **SAVE** (enregistrer) ou **CANCEL** (annuler).





- 1 Activez Screen Saver (écran de veille) ou Background (arrière-plan)
- 2 Réglez la luminosité de l'écran

## RÉGLAGES (suite)

### UNITÉS DE MESURE

Pour basculer l'affichage de la température entre les unités de mesure anglaises et le système métrique, appuyez sur le bouton **METRIC** (métrique). Les unités sur l'écran **HOME** (écran principal) s'afficheront alors en degrés Celsius plutôt qu'en degrés Fahrenheit.

### MACHINE À GLAÇONS

La machine à glaçons produit sept glaçons par cycle, soit environ 100 à 130 glaçons par 24 heures, selon la température du compartiment de congélation, la température de la pièce, le nombre de fois que la porte est ouverte et les autres conditions d'utilisation. Si vous faites fonctionner le réfrigérateur avant de raccorder l'eau à la machine à glaçons, appuyez brièvement sur le bouton **ICEMAKER** (machine à glaçons) sur l'écran **SYSTEM** (système) pour désactiver la machine à glaçons. Lorsque le réfrigérateur a été raccordé à l'alimentation en eau, appuyez brièvement sur le bouton **ICEMAKER** (machine à glaçons) pour activer la machine à glaçons. Un réfrigérateur qui vient d'être installé peut mettre entre 12 et 24 heures avant de commencer à faire des glaçons et la machine à glaçons est réglée sur **ON** (marche – coché) en sortant de l'usine.

Vous entendrez un bourdonnement chaque fois que la machine à glaçons se remplit d'eau. Jetez les premiers lots de glaçons pour permettre à la conduite d'eau de se purger. Il est normal de trouver des glaçons qui sont soudés ensemble. Si vous n'utilisez pas souvent des glaçons, les vieux glaçons deviendront opaques, ils prendront un goût fétide et rétréciront.

**REMARQUE :** Dans les maisons où la pression d'eau est plus faible que la moyenne, on peut entendre la machine à glaçons recommencer plusieurs fois son cycle pour produire un lot de glaçons.

**REMARQUE : DÉACTIVEZ** la machine à glaçons si l'alimentation en eau est coupée.

### ÉCRAN

Appuyez sur le bouton **SCREEN** (écran) sur l'écran **SETTINGS** (réglages) pour régler la luminosité (**BRIGHTNESS**) de l'afficheur et choisissez l'option **SCREEN SAVER** (écran de veille).

Pour la luminosité (**BRIGHTNESS**), utilisez les touches fléchées **LEFT** (gauche) et **RIGHT** (droite) pour augmenter et diminuer la luminosité de l'écran.

Pour le **SCREEN SAVER** (écran de veille), utilisez les touches fléchées **UP** (haut) et **DOWN** (bas) pour choisir **DEFAULT** (par défaut), **SLIDE SHOW** (diaporama), **BACKGROUND** (arrière-plan), ou **OFF** (arrêt).

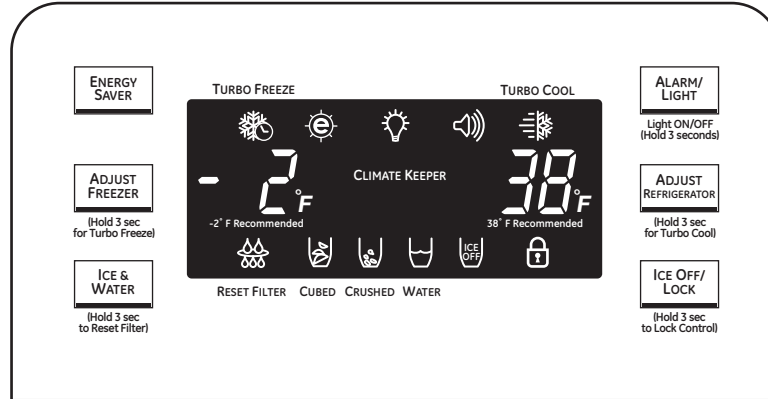
L'option **DEFAULT** affiche un diaporama d'usine préchargé comportant des images qui changent toutes les dix secondes. Ces images ne sont pas visibles sur l'écran **PHOTOS** et restent en mémoire même si toutes les photos sont effacées.

**SLIDE SHOW** (diaporama) sélectionne la photo choisie le plus récemment par l'utilisateur puis l'affiche en premier avant de faire défiler les autres photos de façon aléatoire avec 10 secondes d'intervalle pendant 15 minutes.

L'option **BACKGROUND** sélectionne la photo choisie le plus récemment par l'utilisateur puis l'affiche de manière statique. Après 15 minutes d'inactivité, l'éclairage de fond s'éteindra.

**OFF** désactive les options **BACKGROUND**, **SCREEN SAVER** ou **SLIDE SHOW**.

## Les commandes avec réglages de température pour les modèles non équipés d'un écran ACL .



**NOTE :** Le réfrigérateur est expédié avec une pellicule de protection couvrant les commandes de température. Si cette pellicule n'a pas été retirée au cours de l'installation faites-le maintenant.

La température est pré-réglée à l'usine au numéro **38° F** pour le compartiment réfrigérateur et **-2° F** pour le compartiment congélateur. Attendez 24 heures que la température se stabilise aux températures recommandées pré-réglées.

Le réglage de température peut indiquer la température **SET** (réglée) ainsi que la température réelle dans le compartiment réfrigération et dans le compartiment congélation. La température **SET** (réglée) peut varier légèrement de la température réelle, selon l'utilisation et les conditions de fonctionnement.

### Changement de la température

**ADJUST REFRIGERATOR**

(Hold 3 sec for Turbo Cool)

**ADJUST FREEZER**

(Hold 3 sec for Turbo Freeze)

**Pour changer la température**, appuyez et relâchez le bouton **ADJUST FREEZER** (réglage congélateur) ou **ADJUST REFRIGERATOR** (réglage réfrigérateur). L'affichage indiquera la température actuelle. Pour changer la température, appuyez brièvement sur la touche **ADJUST FREEZER** (réglage congélateur) ou **ADJUST REFRIGERATOR** (réglage réfrigérateur) jusqu'à ce que la température désirée apparaisse.

Une fois la température souhaitée affichée, après 10 secondes, la température affichée retournera à celle du réfrigérateur et du congélateur. Plusieurs ajustements peuvent être nécessaires.

Chaque fois que vous ajustez les commandes, laissez passer 24 heures pour que le réfrigérateur atteigne la température que vous avez sélectionnée.

ADJUST  
REFRIGERATOR

(Hold 3 sec  
for Turbo Cool)

## Fonctionnement

La commande **TurboCool** accélère le refroidissement du compartiment réfrigération afin de refroidir plus rapidement les aliments. Utilisez **TurboCool** quand vous ajoutez une grande quantité d'aliments dans le compartiment réfrigération, quand vous mettez de côté des aliments après les avoir laissés reposer à la température de la pièce ou quand vous mettez de côté des restes d'aliments chauds. Vous pouvez également l'utiliser après que le réfrigérateur soit resté débranché pendant une période prolongée.

Le compresseur ainsi que le ventilateur du réfrigérateur se mettront immédiatement en marche pendant trois heures et demie puis se reviendront ensuite au paramètre de départ.

ADJUST  
FREEZER


(Hold 3 sec  
for Turbo Freeze)

## Fonctionnement

La commande **TurboFreeze** accélère le refroidissement du compartiment congélation afin de refroidir plus rapidement les aliments. Utilisez **TurboFreeze** quand vous ajoutez une grande quantité d'aliments dans le compartiment congélation, quand vous mettez de côté des aliments après les avoir laissés reposer à la température de la pièce ou quand vous mettez de côté des restes d'aliments chauds. Vous pouvez également l'utiliser après que le réfrigérateur soit resté débranché pendant une période prolongée.

Le compresseur et le ventilateur du congélateur démarreront immédiatement et fonctionneront pendant une durée de deux heures et demi.

## Utilisation


Appuyez sur la touche **ADJUST REFRIGERATOR** (réglage réfrigérateur) et tenez-la appuyée pendant 3 secondes jusqu'à ce vous entendiez un bip et que  s'affiche.

Quand la commande **TurboCool** cesse de fonctionner, le compartiment réfrigération revient à son réglage original.

### NOTES :

- Vous ne pouvez pas changer la température du réfrigérateur pendant que la commande **TurboCool** fonctionne.
- Le **TurboCool** n'a pas d'effet sur la température du congélateur.

## Utilisation

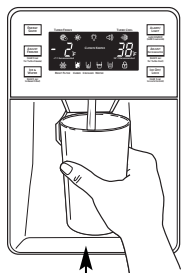
Appuyez sur la touche **ADJUST FREEZER** (réglage congélateur) et tenez-la appuyée pendant 3 secondes jusqu'à ce vous entendiez un bip et que  s'affiche.

Quand la commande **TurboFreeze** cesse de fonctionner, le compartiment congélation revient à son réglage original.

### NOTES :

- Vous ne pouvez pas changer la température du congélateur pendant que la commande **TurboFreeze** fonctionne.
- Le **TurboFreeze** n'a pas d'effet sur la température du réfrigérateur.
- Quand vous ouvrez la porte du congélateur pendant l'action de la commande **TurboFreeze**, les ventilateurs continuent à fonctionner si leur cycle le demande.


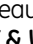

## Au sujet du distributeur. (Modèles sans ACL uniquement)



Bac de trop-plein



### Pour utiliser le distributeur

Sélectionnez **CUBED** (glaçon) , **CRUSHED** (glace pilée)  ou **WATER** (eau)  en appuyant sur la touche **ICE & WATER** (glace & eau).

Appuyez doucement le verre contre le haut du berceau du distributeur.

Le bac de récupération ne se vide pas tout seul. Pour réduire les éclaboussures d'eau, le bac doit être régulièrement nettoyé.

Si rien ne sort du distributeur lors de la première installation du réfrigérateur, c'est qu'il peut exister de l'air dans le circuit d'eau. Appuyez sur le bras du distributeur pendant au moins deux minutes pour éliminer l'air prisonnier du circuit d'eau et remplir le système d'eau. Pour vidanger les impuretés du circuit d'eau, jetez les six premiers verres pleins d'eau.

### ⚠ MISE EN GARDE :

N'introduisez jamais vos doigts ou tout autre objet dans l'ouverture de sortie du broyeur de glace.



(Hold 3 sec to Lock Control)

### Pour verrouiller et déverrouiller le distributeur

Pour le verrouiller, appuyez sur la touche **ICE OFF/LOCK** (glace désactivée/verrouillage) et tenez-la appuyée pendant 3 secondes.

Répétez cette étape pour déverrouiller le distributeur.

### Consignes importantes pour votre distributeur

- N'ajouter pas la glace en provenance des tiroirs ou des paniers dans le bac de stockage. Elle peut ne pas se broyer ou être mal distribuée.
- Évitez de trop remplir le verre avec de la glace et d'utiliser des verres étroits. La glace refoulée peut se coincer dans la goulotte ou provoquer le gel de la porte de la goulotte en position fermée. Si de la glace bloque la goulotte, faites-la passer avec une cuillère en bois.
- Boissons et aliments ne doivent pas être rafraîchis rapidement dans le bac de stockage à glace. Des canettes, des bouteilles ou des paquets d'aliments dans le tiroir de stockage peuvent provoquer le bourrage de la machine à glaçons ou de la grille.
- Pour éviter que la glace distribuée ne tombe hors du verre, placez le verre à proximité de l'ouverture du distributeur, mais sans le toucher.
- Un peu de glace pilée peut être distribuée, même si vous avez sélectionné **CUBED ICE** (glaçon). Cela se produit occasionnellement lorsque quelques glaçons sont envoyés directement dans le broyeur par inadvertance.
- Après une distribution de glace pilée, un peu d'eau peut sortir de la goulotte.
- Parfois, un petit monticule de neige se forme sur la porte de la goulotte. C'est normal et cela se produit généralement lorsque vous avez distribué de la glace pilée de manière répétée. La neige s'évaporerait toute seule.



Light ON/OFF (Hold 3 seconds)

### Alarme de porte

L'alarme de porte sonne si l'une des portes est ouverte pendant plus de 3 minutes. La sonnerie s'arrête quand vous fermez la porte.

### L'éclairage du distributeur

Appuyez sur la touche **ALARM/LIGHT** (alarme/éclairage) et tenez-la appuyée pendant 3 secondes pour **activer** l'éclairage du distributeur. Pour le **désactiver**, appuyez sur la même touche et tenez-la appuyée pendant 3 secondes.



### L'économiseur d'énergie

Votre appareil est équipé d'un mécanisme économiseur d'énergie. Le réfrigérateur est livré avec cet économiseur d'énergie activé. Avec le temps, il peut se former de l'humidité sur la surface avant du compartiment réfrigération, qui peut entraîner de la rouille.

S'il apparaît de l'humidité sur la surface avant du compartiment réfrigération, éteignez l'économiseur d'énergie en appuyant, puis relâchant la touche **ENERGY SAVER** (économiseur d'énergie) du panneau de contrôle.



## Cartouche du filtre à eau

La cartouche du filtre à eau se trouve dans le coin droit arrière supérieur du compartiment réfrigérateur.

## Remplacement du filtre

La cartouche du filtre doit être remplacée lorsque le panneau de commande ACL l'indique. Suivez les instructions de la section **FILTRE À EAU, À propos du Panneau de commande 18 cm (7 po) pour les modèles ACL.**

## Installation de la cartouche du filtre à eau

- 1 Si vous remplacez la cartouche, d'abord enlevez la vieille cartouche en la tournant doucement dans le sens contraire des aiguilles d'une montre. Une petite quantité d'eau peut s'en échapper.

**⚠ MISE EN GARDE :** *S'il y a de l'air piégé dans le système, la cartouche de filtre peut être éjectée pendant qu'elle est enlevée. Procédez avec soin pour l'enlever.*

- 2 Enlevez la feuille de protection de l'extrémité de la cartouche.
- 3 En alignant les flèches de la cartouche et du boîtier de cartouche, placez le haut de la nouvelle cartouche à l'intérieur du support. Ne l'insérez pas de force dans le support. Tournez doucement la cartouche dans le sens des aiguilles d'une montre jusqu'à ce qu'elle s'arrête. Pendant sa rotation, la cartouche atteindra elle-même sa position. La cartouche tournera d'environ 1/4 de tour. **Ne serrez pas trop fort.**
- 4 Faites couler de l'eau du distributeur pendant 3 minutes (environ 5 litres) pour purger le système et empêcher les pulvérisations. Consultez la section *Utilisation du distributeur.*

**NOTE :** Une cartouche de filtre à eau nouvellement installée **peut occasionner un jet d'eau** du distributeur.

## Bouchon de dérivation du filtre

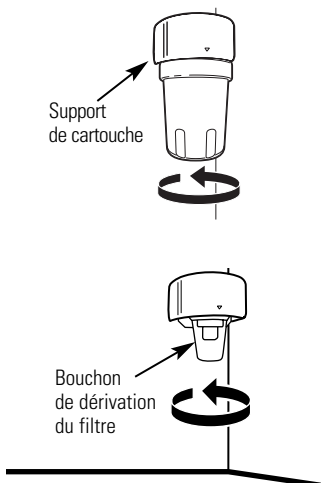
Il faut utiliser le bouchon de dérivation du filtre lorsqu'une cartouche de remplacement n'est pas disponible. Le distributeur et la machine à glaçons ne peuvent pas fonctionner sans le filtre ou sans le bouchon de dérivation du filtre.

**Filtres de remplacement :**

**Pour commander des cartouches supplémentaires, visitez notre site Web à l'adresse [www.electromenagersge.ca](http://www.electromenagersge.ca), ou appelez le Service des pièces et accessoires au 888.261.3055.**

Modèle MWF

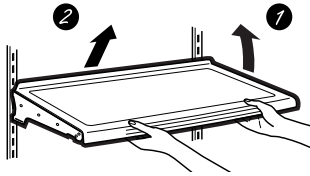
Les clients au Canada devraient consulter les pages jaunes pour connaître la succursale Mabe la plus près.



## À propos des options de conservation du réfrigérateur.

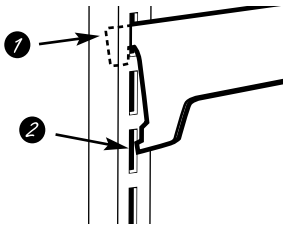
### Mise en place des clayettes

Les clayettes du réfrigérateur sont réglables.



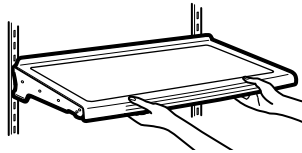
#### Enlèvement :

- ① Enlevez tous les articles de la clayette.
- ② Soulevez la clayette à l'avant.
- ③ Soulevez la clayette à l'arrière et faites-la sortir.



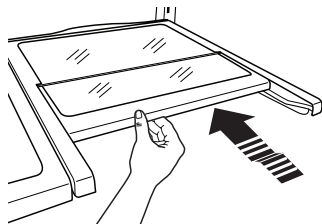
#### Remise en place :

- ① En faisant basculer la clayette vers le haut, insérez le crochet supérieur à l'arrière de la clayette dans une fente du rail.
- ② Abaissez le devant de la clayette jusqu'à ce que le bas de la clayette se fixe en place.



### Clayettes anti-déversement

Les clayettes anti-déversement ont des bords spéciaux pour empêcher tout déversement aux clayettes inférieures.

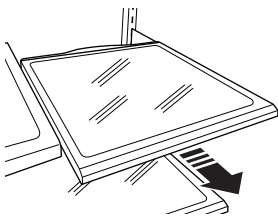


### Clayette escamotable

Cette clayette escamotable se divise en deux et les deux parties coulissent l'une sous l'autre pour permettre le stockage de grands articles sur la clayette inférieure.

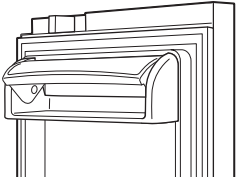
Cette clayette peut être enlevée et remplacée ou déplacée (comme les clayettes anti-déversement).

**REMARQUE :** L'emplacement de la tablette escamotable ne peut pas être changé.



### Tablettes coulissantes anti-gouttes

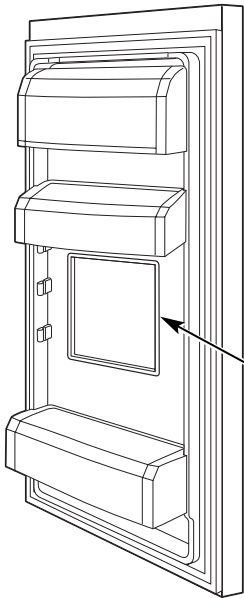
Ces tablettes peuvent être retirées pour faciliter l'accès aux produits qui se trouvent au fond du réfrigérateur et également pour faciliter l'entretien de l'appareil.



### Bac non réglable à produits laitiers

**Enlèvement :** Soulevez le bac à produits laitiers vers le haut, puis enlevez-le.

**Remise en place :** Insérez le bac dans les soutiens moulés de la porte et poussez-le vers le bas. Le bac se verrouillera en place.



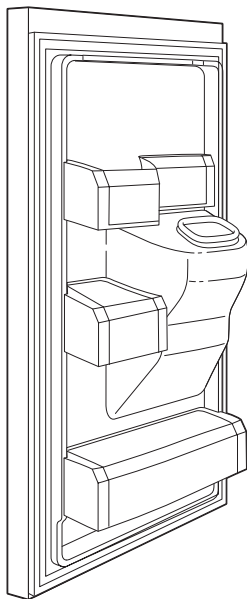
### Bacs réglables de porte

Vous pouvez facilement transporter les bacs réglables du réfrigérateur à votre surface de travail.

**Enlèvement :** Soulevez l'avant du bac droit vers le haut, puis enlevez en soulevant.

**Remise en place ou changement de place :** Faites glisser le bac juste au-dessus des soutiens moulés de la porte et poussez vers le bas. Le bac se verrouillera en place.

Rafraîchissement  
Porte centrale  
(sur certains  
modèles)



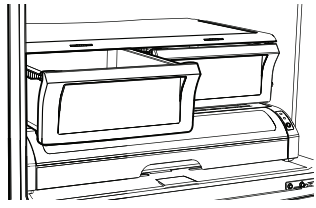
### Bacs non-réglables de porte

**Enlèvement :** Soulevez le bac droit vers le haut, puis enlevez en soulevant.

**Remise en place :** Engagez le bac dans les soutiens moulés de la porte et poussez vers le bas. Il se fixera en place.



## Bacs à rangement et bacs à légume.

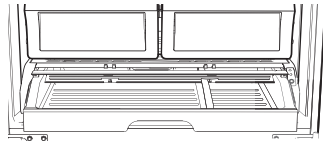


### Bacs à fruits et légumes

Gardez vos fruits et légumes dans des compartiments séparés pour un accès plus facile.

Vous devez bien essuyer toute eau en excès qui peut s'accumuler au fond des bacs ou en dessous des bacs.

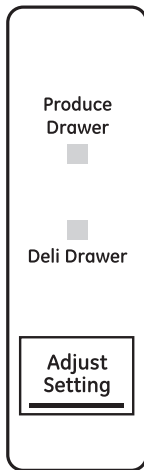
Lower • • • Higher



### Tiroir réglable à produits/épicerie fine

Le tiroir réglable à produits/épicerie fine est un tiroir de grande largeur avec un contrôle de température réglable. Ce tiroir peut être utilisé pour une variété de grands articles.

Il existe un contrôle de température qui peut régler la quantité d'air froid permise dans le tiroir.



#### Contrôle

Lorsque **Produce Drawer** (tiroir produits) est sélectionné, la température du tiroir peut être maintenue à 38° F (3° C) environ. Ce fonctionnalité permet de conserver des produits frais pendant longtemps.

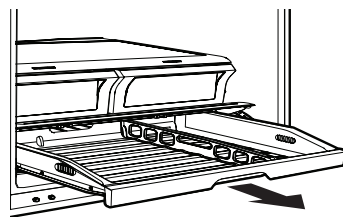
Lorsque **Deli Drawer** (tiroir épicerie fine) est sélectionné, la température du tiroir peut être maintenue à 34° F (1° C) environ. Ce fonctionnalité permet de conserver de la viande fraîche ou du poisson frais pendant longtemps.

**NOTE :** Les fruits et les légumes peuvent être endommagés par l'utilisation du réglage **Deli Drawer** (tiroir épicerie fine). Ne stockez pas de laitue ou d'autres produits à feuilles dans ce tiroir.

#### ⚠ MISE EN GARDE :

Ne stockez pas de bouteilles en verre dans ce tiroir. Si elles gèlent, elles peuvent se casser et blesser quelqu'un.

Le contrôle est situé sur le côté droit du tiroir.



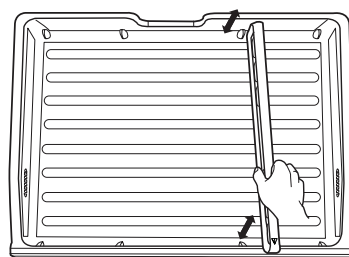
### Comment démonter et remonter le tiroir réglable à produits/épicerie fine

#### Enlèvement :

- 1 Sortez le tiroir jusqu'à sa position d'arrêt.
- 2 Soulevez l'avant du tiroir vers le haut et l'extérieur.

#### Remise en place :

- 1 Soulevez le couvercle vers le haut.
- 2 Insérez les roulettes dans les rails latéraux.
- 3 Poussez le tiroir vers l'intérieur (jusqu'à ce qu'il soit en place).



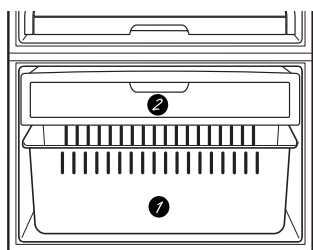
### Comment démonter et remonter le séparateur de tiroir

#### Enlèvement :

- 1 Sortez le tiroir jusqu'à sa position d'arrêt.
- 2 Levez l'avant du séparateur pour le déloger de la paroi arrière du tiroir.

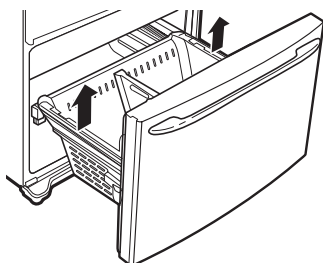
#### Remise en place :

- 1 Insérez l'arrière du séparateur dans la paroi arrière du tiroir.
- 2 Poussez le séparateur vers le bas.



## Panier et tiroir du compartiment congélation

- 1 Panier.
- 2 Tiroir.



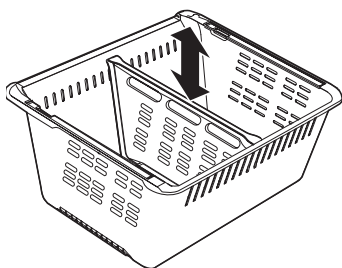
### Enlèvement du panier

#### Enlèvement :

- 1 Enlevez le bac du congélateur. (Voir ci-dessous.)
- 2 Sortez le panier jusqu'à sa position d'arrêt.
- 3 Inclinez vers le haut l'arrière du bac.
- 4 Soulevez-le pour l'enlever.

#### Remise en place :

- 1 Placez le panier dans l'assemblage des rails.



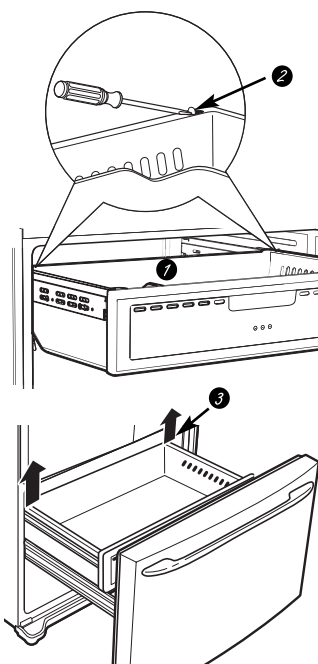
### Démontage du séparateur de panier

#### Enlèvement :

- 1 Sortez le panier jusqu'à sa position d'arrêt.
- 2 Inclinez vers le haut l'arrière du bac.
- 3 Soulevez-le pour l'enlever.

#### Remise en place :

- 1 Insérez les coins supérieurs du séparateur dans les trous du panier.



### Enlèvement du tiroir

#### Enlèvement :

- 1 Déboîtez le tiroir hors de sa position d'arrêt.
- 2 Enlevez les deux ergots latéraux avec un tournevis à tête plate (comme montré à gauche).
- 3 Inclinez vers le haut derrière du tiroir et sortez-le en le soulevant.

#### Remise en place :

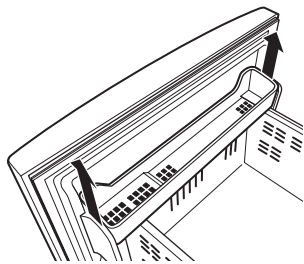
- 1 Sortez les rails jusqu'à leur position d'arrêt.
- 2 Placez le tiroir sur les rails et insérez le support dans les fentes situées sur le côté du tiroir.
- 3 Remplacez les ergots latéraux et poussez le tiroir en place.

**⚠ AVERTISSEMENT :** Faites attention de ne pas perdre les ergots latéraux pendant le démontage, car ils peuvent présenter un risque d'étranglement pour les enfants.

### Bac non réglable du congélateur

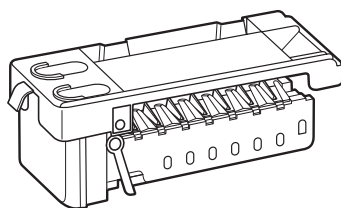
**Enlèvement :** Tirez les supports vers le haut jusqu'à ce que vous entendiez un clic, puis enlevez le bac.

**Remise en place :** Insérez les extrémités du bac dans les deux supports et poussez-le vers le bas jusqu'à ce que le bac se verrouille en place.



## Machine à glaçons automatique.

Il faut prévoir entre 12 et 24 heures avant qu'un réfrigérateur nouvellement installé commence à produire des glaçons.



(Hold 3 sec  
to Lock Control)

### Machine à glaçons automatique

La machine à glaçons produit sept glaçons par cycle, soit environ 100 à 130 glaçons par 24 heures, selon la température du compartiment congélation, la température de la pièce, le nombre de fois que la porte est ouverte et les autres conditions d'utilisation.

#### Pour les modèles non équipés d'un écran

**ACL** : Si le réfrigérateur est utilisé avant de raccorder l'eau à la machine à glaçons, appuyez brièvement sur le bouton

**ICE OFF/LOCK** situé sur le panneau de contrôle pour désactiver la machine à glaçons. Lorsque le réfrigérateur a été raccordé à l'alimentation en eau, appuyez brièvement sur le bouton **ICE OFF/LOCK** situé sur le panneau de contrôle pour activer la machine à glaçons.

#### Pour les modèles pourvus d'un écran

**ACL** : Si le réfrigérateur est utilisé avant de raccorder l'eau à la machine à glaçons, reportez-vous à la section MACHINE À GLAÇONS, Fonctions de l'écran pour les opérations avec écran ACL puis suivez les instructions à l'écran pour désactiver la machine à glaçons.

Un réfrigérateur nouvellement installé prend de 12 à 24 heures pour commencer à produire des glaçons.

Vous entendrez un bourdonnement chaque fois que la machine à glaçons se remplit d'eau.

Jetez les premiers lots de glaçons pour permettre à la conduite d'eau de se purger. Assurez-vous que rien ne gêne la course du bras palpeur.

Quand le bac se remplit jusqu'au niveau du bras palpeur, la machine à glaçons s'arrête de produire des glaçons. Il est normal de trouver des glaçons qui soient soudés ensemble.

Si vous n'utilisez pas souvent vos glaçons, les vieux glaçons deviennent opaques, prennent un mauvais goût et rétrécissent.

**NOTE** : Dans les maisons qui ont une pression d'eau plus faible que la moyenne, vous pouvez entendre la machine à glaçons recommencer plusieurs fois son cycle pour produire une livraison de glaçons.

**REMARQUE** : Si l'alimentation en eau est coupée, appuyez brièvement sur le bouton **ICE OFF/LOCK** situé sur le panneau du modèle ne comportant pas d'écran ACL.

**Pour les modèles pourvus d'un écran ACL**, reportez-vous à la section MACHINE À GLAÇONS, Fonctions de l'écran pour les opérations avec écran ACL puis suivez les instructions à l'écran pour désactiver la machine à glaçons.

## Nettoyage de l'extérieur

### **Les poignées de porte et les garnitures.**

Nettoyez avec un linge trempé dans de l'eau savonneuse. Séchez avec un linge doux. N'appliquez pas de cire sur les poignées et les garnitures de porte.

**Conservez l'extérieur propre.** Essuyez avec un linge propre légèrement humecté de cire à appareil électroménager ou de détersif liquide à vaisselle doux. Séchez et polissez avec un linge doux, propre.

*N'essayez jamais votre réfrigérateur avec un torchon sale ou une serviette mouillée. Cela peut laisser un résidu qui risque d'endommager la peinture. N'utilisez jamais de tampon à récurer, de nettoyant en poudre, d'eau de javel ou de produit nettoyant contenant un agent de blanchiment, car ces produits peuvent rayer et endommager la peinture.*

### **Vous pouvez nettoyer les panneaux et les poignées de porte en acier inoxydable**

(sur certains modèles) avec un nettoyant d'acier inoxydable vendu sur le marché. Il vaut mieux utiliser un produit de nettoyage vaporisé pour acier inoxydable.

N'utilisez pas de cire pour appareils ménagers sur l'acier inoxydable.

### **Pièces en matière plastique plaquée argent.**

Lavez ces pièces avec du savon ou un autre détergent doux. Essuyez avec une éponge, un linge humide ou une serviette en papier.

Ne frottez jamais avec des tampons en laine d'acier ou d'autres nettoyants abrasifs.

## Nettoyage de l'intérieur

**Pour aider à empêcher les odeurs,** laissez une boîte ouverte de bicarbonate de soude dans les compartiments réfrigération et congélation.

**Débranchez votre réfrigérateur avant de le nettoyer.** Si ce n'est pas pratique, enlevez toute humidité au moyen d'une éponge ou d'un chiffon pour nettoyer autour des commutateurs, des lumières ou des réglages.

Utilisez une cire pour appareils électroménagers sur la surface intérieure entre les portes.

Utilisez une solution d'eau chaude et de bicarbonate de soude (15 ml [soit une cuillère à soupe environ] de bicarbonate de soude dans 1 litre [soit une pinte] d'eau). Cette solution nettoie tout en neutralisant les odeurs. Rincez et séchez en essuyant.

Après avoir nettoyé les joints de porte, appliquez une fine couche de vaseline sur les joints du côté des charnières pour empêcher les joints de coller et de se déformer.

*Évitez de nettoyer les clayettes froides en verre à l'eau chaude, parce qu'elles risquent de se casser à cause de la grande différence de températures. Manipulez avec soins le verre. Vous pouvez briser en éclats le verre trempé en le heurtant.*

*Ne lavez aucune pièce en matière plastique de votre réfrigérateur dans votre machine à laver la vaisselle.*

### **Pièces en matière plastique plaquée argent.**

Lavez ces pièces dans de l'eau savonneuse. Essuyez avec une éponge, un linge humide ou une serviette en papier.

Ne frottez jamais avec des tampons en laine d'acier ou d'autres nettoyants abrasifs.

## Entretien et nettoyage de votre réfrigérateur.

### Derrière le réfrigérateur

Prenez un soin particulier lorsque vous éloignez le réfrigérateur du mur. Tous les types de revêtements de sol peuvent être endommagés, particulièrement ceux qui sont coussinés ou dont la surface est gaufrée.

Soulevez les pieds d'inclinaison situés en bas à l'avant de votre réfrigérateur.


Tirez le réfrigérateur en ligne droite et, lorsque vous le remettez en place, poussez-le vers le mur en ligne droite. Les déplacements latéraux du réfrigérateur pourraient endommager le revêtement de sol ou le réfrigérateur.

Abaissez les pieds d'inclinaison jusqu'à ce qu'ils touchent le sol.

*Lorsque vous remettez le réfrigérateur en place en le poussant, veillez à ne pas le faire rouler sur le cordon d'alimentation ou sur la conduite d'eau de la machine à glaçons (sur certains modèles) et assurez-vous que le support anti-basculement soit engagé (si votre réfrigérateur est ainsi équipé).*

### Départ en vacances

Lorsque vous vous absentez pendant une période prolongée, videz et débranchez le réfrigérateur. Nettoyez l'intérieur avec une solution d'eau et de bicarbonate de soude, à raison 15 ml (d'une cuillère à soupe) de bicarbonate par litre (1 pinte) d'eau. Laissez les portes ouvertes.

**Modèles non équipés d'un écran ACL :**  
**Activez** la fonctionnalité Ice Off (glace désactivée) en appuyant et en relâchant la touche **ICE OFF/LOCK** (glace désactivée/verrouillage) sur le panneau de contrôle (l'icône  s'affiche) et coupez l'alimentation d'eau du réfrigérateur.

#### **Modèles équipés d'un écran ACL :**

**Désactivez** la machine à glaçons en suivant les instructions à l'écran que vous pouvez consulter dans la section *Commandes de l'écran ACL*.

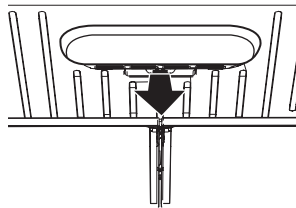
Si la température risque de descendre sous le point de congélation, demandez à un réparateur de vidanger la conduite d'eau afin d'éviter les dégâts sérieux causés par les inondations.

### Déménagement

Immobilisez tous les éléments amovibles, tels que les clayettes et les bacs, à l'aide de ruban gommé pour éviter de les endommager.

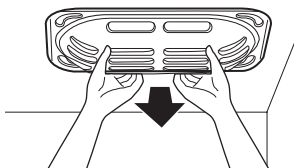
Si vous utilisez un charriot pour déménager le réfrigérateur, ne laissez jamais le devant ou le derrière du réfrigérateur reposer contre le charriot. Cela pourrait endommager le réfrigérateur. Ne transportez le réfrigérateur que par les côtés.

*Assurez-vous que le réfrigérateur demeure debout pendant son déménagement.*



## Lumières du compartiment réfrigération

Un technicien agréé devra remplacer l'éclairage à diode.



## Lumière du compartiment congélation

### **⚠ MISE EN GARDE :**

Les ampoules électriques peuvent être brûlantes.

- 1 Débranchez le cordon d'alimentation de la prise.
- 2 Sortez le tiroir jusqu'à sa position d'arrêt.
- 3 Faites tourner le capot tout en le poussant vers l'arrière pour l'enlever.

- 4 Tournez l'ampoule dans le sens contraire des aiguilles d'une montre.
- 5 Remplacez-la par une ampoule de la même puissance ou inférieure.
- 6 Remplacez le capot.
- 7 Rebranchez le réfrigérateur.

**NOTE :** Les ampoules peuvent être commandées au service après-vente GE, au 800.626.2002.

# Instructions d'installation

# Réfrigérateur

Profile Modèle 26

Questions? Appelez le 1.800.561.3344 ou Visitez notre site Web à l'adresse : [www.electromenagersge.ca](http://www.electromenagersge.ca)

## AVANT DE COMMENCER

Veillez lire toutes les directives attentivement.

- **IMPORTANT** — Conservez ces instructions pour l'inspecteur local.
- **IMPORTANT** — Respectez toutes les ordonnances et les codes locaux.
- **Note à l'installateur** – Assurez-vous de laisser ces instructions au consommateur.
- **Note au consommateur** – Conservez ces instructions pour référence future.
- **Niveau de compétence** – L'installation de cet appareil nécessite des compétences mécaniques de base.
- **Temps d'installation** – Installation du réfrigérateur 20 minutes  
Installation de la conduite d'eau 30 minutes
- L'installateur est responsable de bien installer ce réfrigérateur.
- Toute panne du produit due à une mauvaise installation n'est pas couverte par la garantie.

## PRÉPARATION

### DÉPLACEMENT DU RÉFRIGÉRATEUR À L'INTÉRIEUR DE LA MAISON

Si le réfrigérateur ne peut pas passer par la porte, vous pouvez enlever la porte du compartiment réfrigération et le tiroir du compartiment congélation.

- Pour enlever la porte du compartiment réfrigération, consultez la section *Installation du réfrigérateur*.
- Pour enlever le tiroir du compartiment congélation, consultez la section *Enlèvement du tiroir du compartiment congélation*.

## PRÉPARATION (suite)

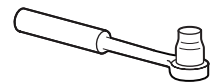
### ALIMENTATION D'EAU DE LA MACHINE À GLAÇONS ET DU DISTRIBUTEUR

Si votre réfrigérateur est doté d'une machine à glaçons, la machine à glaçons doit être raccordée à une conduite d'eau froide. Vous pouvez acheter une trousse d'alimentation d'eau GE (contenant la tuyauterie, le robinet d'arrêt, les joints et les instructions) chez votre revendeur ou en vous adressant à notre site Web à l'adresse [www.electromenagersge.ca](http://www.electromenagersge.ca) ou à notre service de Pièces et accessoires au numéro de téléphone 1.888.261.3055.

## OUTILS DONT VOUS POUVEZ AVOIR BESOIN



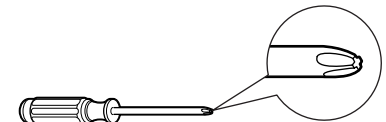
Clé réglable



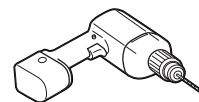
Tournevis à cliquet de 10 mm



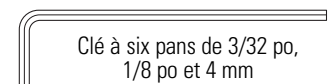
Écrou à compression d'un diamètre extérieur de 1/4 po et bague



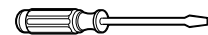
Tournevis cruciforme



Perceuse à main ou électrique et mèche de 1/8 po



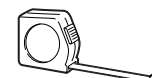
Clé à six pans de 3/32 po, 1/8 po et 4 mm



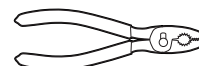
Tournevis à tête plate



Crayon



Mètre



Pincettes



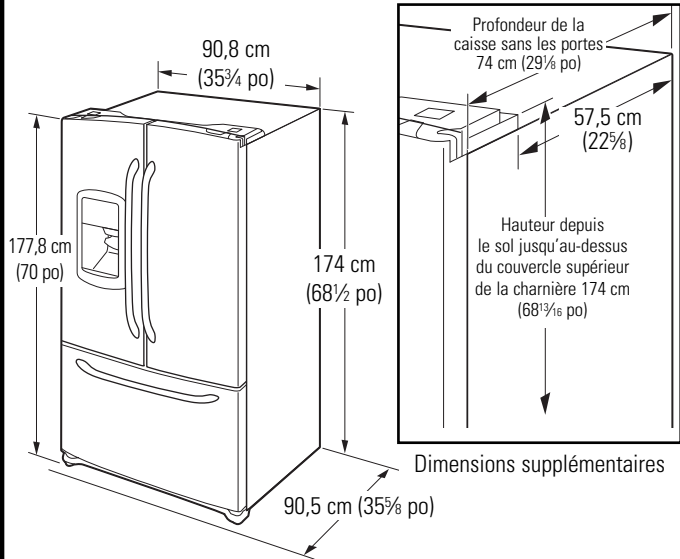
Tourne-écrou de 1/4 po



Niveau

# Instructions d'installation

## DIMENSIONS



Hauteur hors tout jusqu'au-dessus du couvercle supérieur de la charnière à la hauteur maximale	177,8 cm (70 po)
Hauteur depuis le sol jusqu'au niveau le plus bas du couvercle de la charnière	174 cm (68 <sup>13</sup> / <sub>16</sub> " po)
Profondeur de la caisse sans les portes	74 cm (29 <sup>1</sup> / <sub>8</sub> po)
Hauteur jusqu'au dessus de la caisse	174 cm (68 <sup>1</sup> / <sub>2</sub> po)
Largeur hors tout de la caisse extérieure	90,8 cm (35 <sup>3</sup> / <sub>4</sub> po)
Profondeur extérieure hors tout Portes arquées/Tiroir avec poignées	90,5 cm (35 <sup>5</sup> / <sub>8</sub> po)



# Instructions d'installation

## INSTALLATION DU RÉFRIGÉRATEUR

### EMPLACEMENT DU RÉFRIGÉRATEUR

- N'installez jamais votre réfrigérateur dans un emplacement où la température ambiante sera inférieure à 16° C (60° F). Il ne se mettra pas en marche suffisamment souvent pour maintenir des températures convenables.
- N'installez jamais votre réfrigérateur dans un emplacement où la température ambiante sera supérieure à 37° C (100° F). Il ne fonctionnera pas bien.
- Installez votre réfrigérateur sur un plancher suffisamment solide pour le porter lorsqu'il est plein.

### DÉGAGEMENTS

Prévoyez les dégagements suivants pour faciliter l'installation, la bonne circulation d'air et les raccordements de plomberie et d'électricité :

Côtés	3 mm (1/8 po)
Dessus	25 mm (1 po)
Arrière	25 mm (1 po)

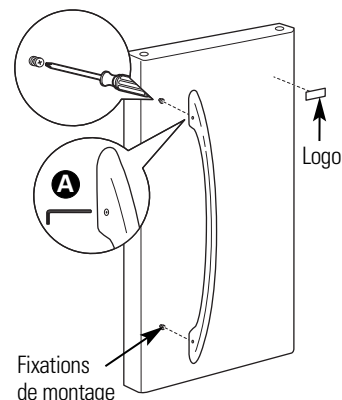
### DÉMONTAGE DES PORTES DU RÉFRIGÉRATEUR

- **NOTE IMPORTANTE :** Ce réfrigérateur a une profondeur de 35,6 po. Les portes et les passages qui mènent à l'endroit où vous désirez l'installer doivent avoir une largeur du moins de 36 po, pour permettre de transporter le réfrigérateur jusqu'à cet endroit sans être obligé d'enlever les portes et les poignées. Si le passage a moins que 36 po de largeur, vous risquez vraiment de rayer et d'endommager les portes et les poignées de votre réfrigérateur. Vous pouvez enlever facilement le capuchon du haut et les portes pour déplacer plus aisément le réfrigérateur chez vous. Commencez par l'étape 1.
- Si vous n'avez pas à enlever les portes, passez directement à l'étape 9. Laissez le ruban et tous les matériaux d'emballage sur les portes, jusqu'à ce que vous ayez déménagé le réfrigérateur dans son emplacement final.
- **NOTE :** Utilisez un chariot manuel rembourré pour déplacer le réfrigérateur. Placez le réfrigérateur sur le chariot manuel avec un côté contre le chariot. Nous vous recommandons vivement d'utiliser DEUX PERSONNES pour déplacer le réfrigérateur et l'installer.

### 1 ENLEVEZ LA POIGNÉE DE PORTE DU COMPARTIMENT POUR ALIMENTS FRAIS

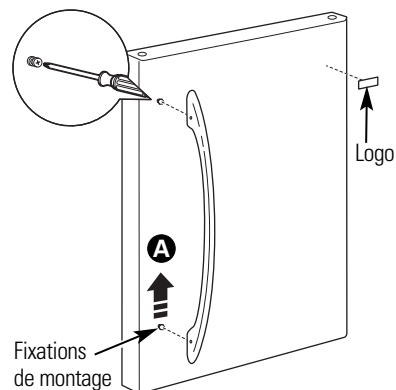
Poignée en acier inoxydable :

- A** ENLÈVEMENT DE LA POIGNÉE DE PORTE :  
Desserrez les vis de l'ensemble à l'aide d'une clé Allen de 3/32 po et enlevez la poignée.



Poignée en matière plastique :

- A** ENLÈVEMENT DE LA POIGNÉE DE PORTE :  
Glissez la poignée vers le haut pour la faire sortir de la fixation de montage.



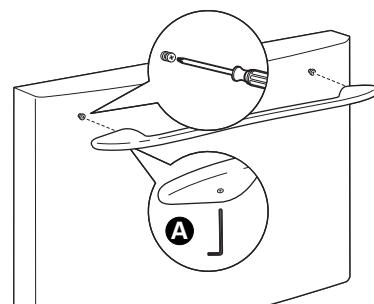
**NOTE :** Si vous devez resserrer ou enlever les fixations de montage de la poignée, utilisez le tournevis cruciforme.

### 2 ENLEVEZ LA POIGNÉE DE LA PORTE DU COMPARTIMENT CONGÉLATION

Poignées en acier inoxydable et en matière plastique :

- A** Desserrez les vis de l'ensemble situées en bas de la poignée à l'aide de la clé Allen de 1/8 po et enlevez la poignée.

**NOTE :** Si vous devez resserrer ou enlever les fixations de montage de la poignée, utilisez le tournevis cruciforme.

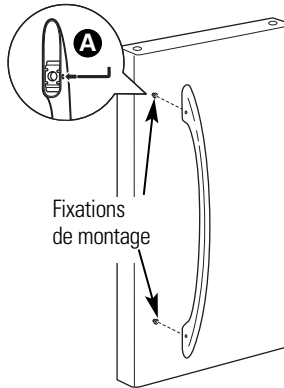


# Instructions d'installation

## 3 FIXEZ LA POIGNÉE DE LA PORTE DU COMPARTIMENT ALIMENTS FRAIS

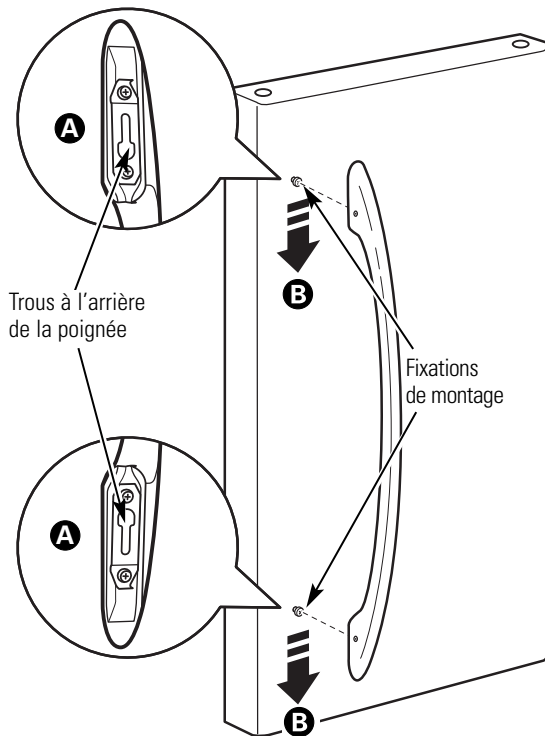
**Poignée en acier inoxydable :**

- A** Fixez la poignée aux fixations de montage de la poignée et resserrez les vis de l'ensemble à l'aide d'une clé Allen de 3/32 po.



**Poignée en matière plastique :**

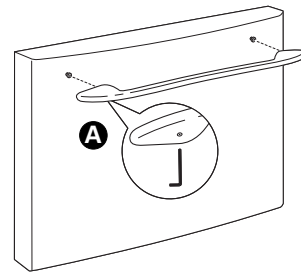
- A** Fixez la poignée aux fixations de montage de la poignée en alignant les fentes aux fixations de montage de poignée.
- B** Faites glisser la poignée vers le bas jusqu'à ce qu'elle soit bien fixée en position.



## 4 FIXEZ LA POIGNÉE DE LA PORTE DU COMPARTIMENT CONGÉLATION

**Poignées en acier inoxydable et en matière plastique :**

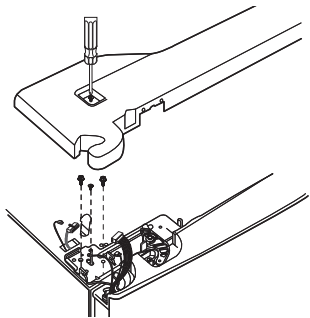
- A** Fixez bien la poignée aux fixations de montage de la poignée et resserrez les vis de l'ensemble situées en bas de la poignée à l'aide d'une clé Allen de 1/8 po.



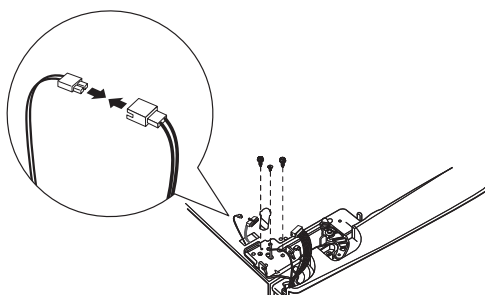
## INSTALLATION DU RÉFRIGÉRATEUR (suite)

### 5 DÉMONTAGE DES PORTES DU RÉFRIGÉRATEUR

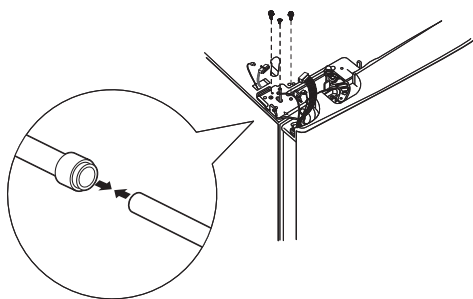
- A** Ouvrez les portes du réfrigérateur.
- B** Enlevez les deux capuchons avec un tournevis à tête plate.
- C** Enlevez les trois vis en haut avec un tournevis cruciforme.



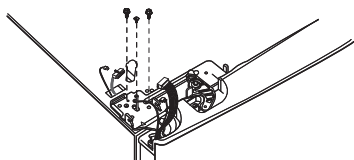
- D** Débranchez les deux connecteurs électriques.



- E** Pour débrancher l'alimentation d'eau, poussez sur la couleur grise du raccord et sortez la conduite.



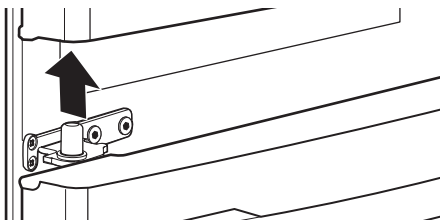
- F** Enlevez les deux câbles de terre avec un tournevis cruciforme.
- G** Enlevez les trois boulons à tête hexagonale de 10 mm (droite et gauche).



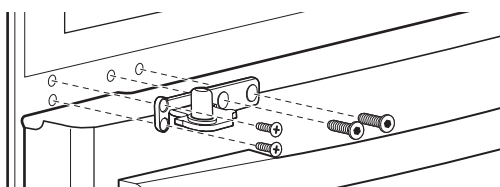
**⚠ MISE EN GARDE :** Lorsque les boulons sont enlevés, la porte peut tomber et blesser quelqu'un et/ou endommager la porte elle-même.

### 5 DÉMONTAGE DES PORTES DU RÉFRIGÉRATEUR (suite)

- H** Soulevez la porte vers le haut pour l'enlever.

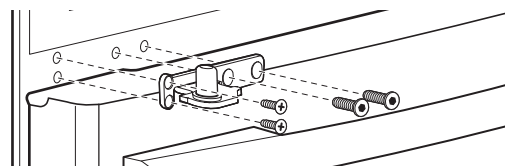


- I** Enlevez les deux boulons à tête hexagonale et les deux vis cruciformes de la charnière centrale. Mettez de côté la charnière, les boulons et les vis.

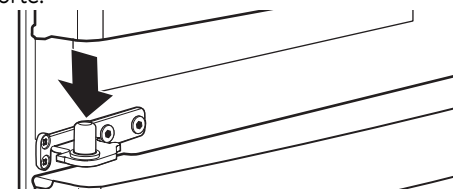


### 6 REMONTAGE DES PORTES DU RÉFRIGÉRATEUR

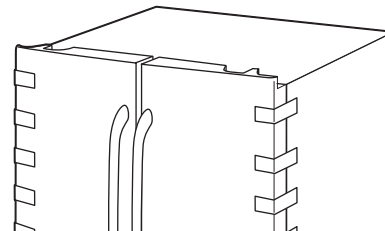
- A** Installez la charnière centrale de chaque côté.



- B** Descendez la porte du réfrigérateur sur la broche de la charnière centrale. Assurez-vous que le dé plastique de la broche de la charnière soit inséré sur la broche de la charnière centrale ou à l'intérieur du trou de la broche de la porte, situé dans le dessous de la porte.



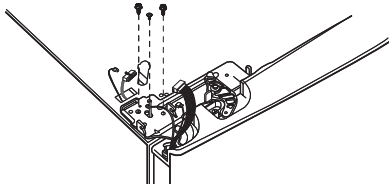
- C** Fixez la porte avec du ruban adhésif en position fermée ou demandez à une autre personne de tenir la porte.



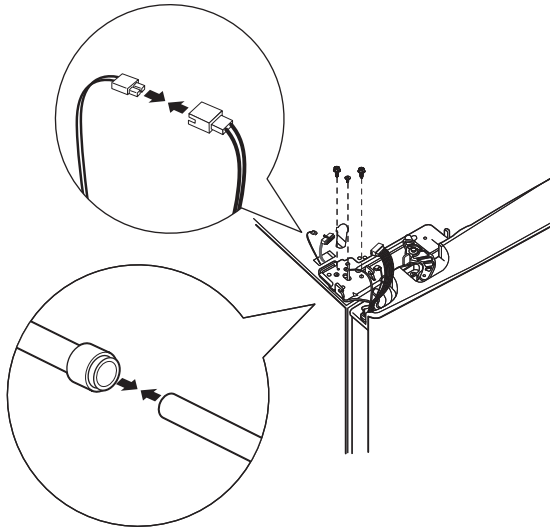
# Instructions d'installation

## 6 REMONTAGE DES PORTES DU RÉFRIGÉRATEUR (suite)

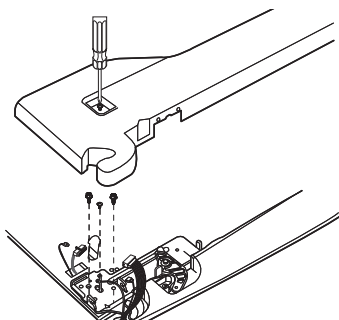
- D** Insérez la broche de la charnière supérieure dans le trou de charnière en haut de la porte du réfrigérateur. Assurez-vous que la porte est alignée avec le caisson et la porte opposée. Fixez la charnière en haut du caisson. Ne serrez pas complètement les boulons.



- E** Sur la porte de gauche, passez les fils et la conduite d'eau à travers la broche de la charnière supérieure. Puis raccordez la conduite d'eau et les deux connecteurs électriques.

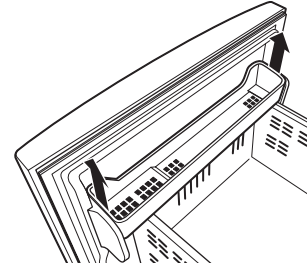


- F** Fixez le fil de terre avec un tournevis cruciforme sur la charnière à gauche et à droite.
- G** Assurez-vous que le joint d'étanchéité sur la porte s'applique contre le caisson et qu'il n'est pas plié. Assurez-vous que la porte est droite et que l'espace entre les portes est le même sur toute la façade. Tout en tenant la porte alignée en place, serrez les boulons de la charnière supérieure.
- H** Rebranchez les deux connecteurs de chaque côté du capuchon supérieur et revissez les trois vis cruciformes en haut.

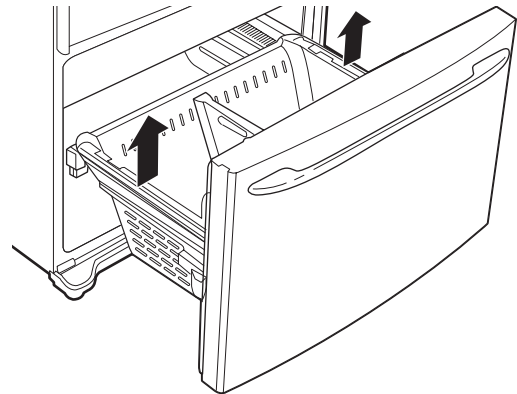


## 7 DÉMONTAGE DE LA PORTE DU CONGÉLATEUR

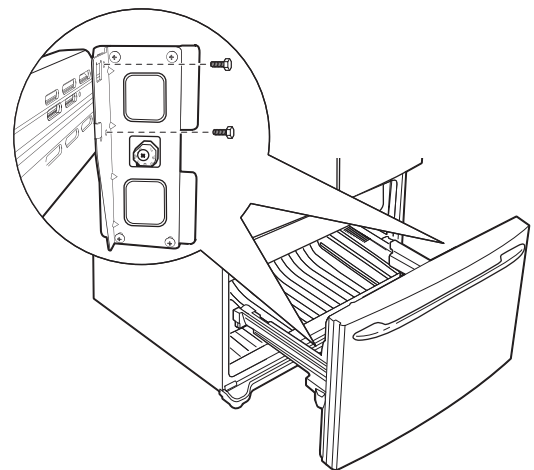
- A** Ouvrez à fond la porte du congélateur.
- B** Enlevez le bac du congélateur en tirant les deux supports vers le haut en même temps. (Voir page 69.)



- C** Enlevez le panier inférieur en le soulevant des rails. (Voir page 69.)



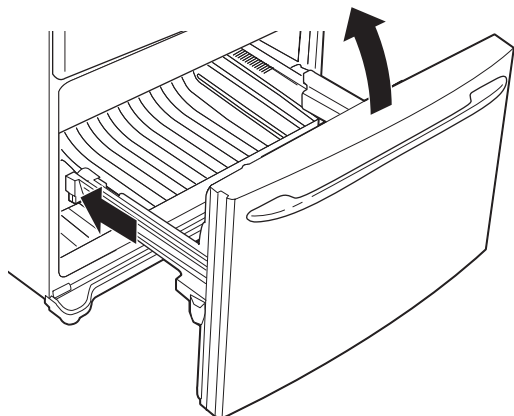
- D** Enlevez les deux boulons à tête hexagonale de 10 mm des côtés droit et gauche.



## INSTALLATION DU RÉFRIGÉRATEUR (suite)

### 7 DÉMONTAGE DE LA PORTE DU CONGÉLATEUR (suite)

- E** Utilisez la pointe d'un tournevis pour séparer le rail du couvercle. Inclinez l'avant vers le haut et soulevez la porte entière.



- F** Placez la façade de la porte sur une surface non abrasive.

- G** Repoussez les assemblages de rail dans le caisson.

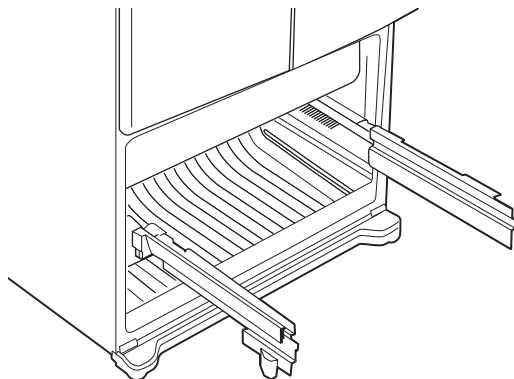
**⚠ MISE EN GARDE :** Poussez les deux côtés des assemblages de rail en même temps.

### 8 REMONTAGE DE LA PORTE DU CONGÉLATEUR

Deux personnes peuvent être nécessaires pour achever cette procédure.

#### FIXEZ ET SERREZ L'AVANT DU TIROIR AUX GLISSIÈRES

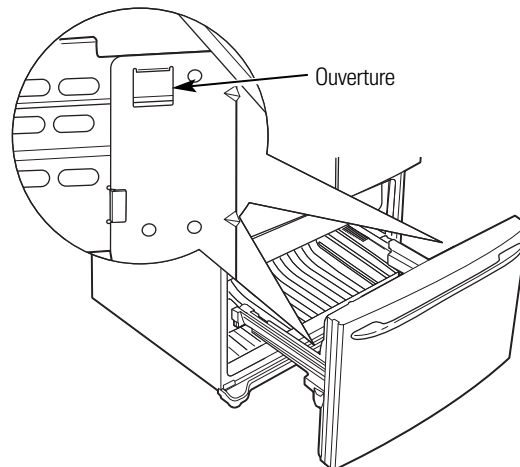
- A** Sortez les assemblages de rail de toute leur longueur de chaque côté du caisson.



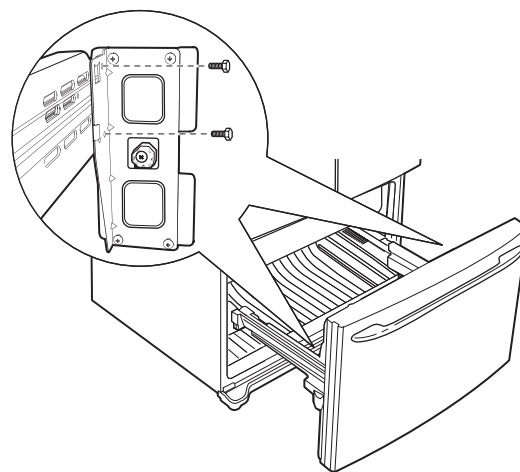
**⚠ MISE EN GARDE :** Assurez-vous de sortir les rails latéraux à la même longueur.

### 8 REMONTAGE DE LA PORTE DU CONGÉLATEUR (suite)

- B** Suspendez l'avant de la porte du congélateur sur les ouvertures des côtés.

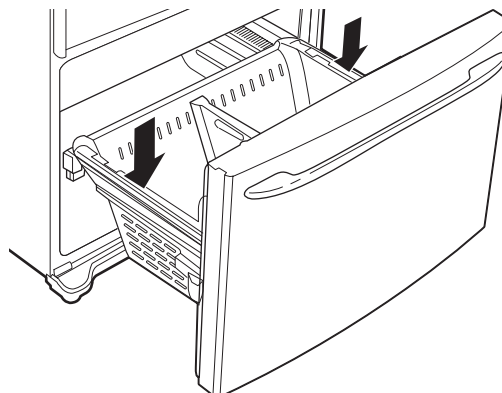


- C** Vissez les vis complètement. (Il s'agit des quatre boulons à tête hexagonale de 10 mm.)



#### REMISE EN PLACE DU PANIER DU CONGÉLATEUR

Remplacez le panier du congélateur en le descendant dans le cadre.

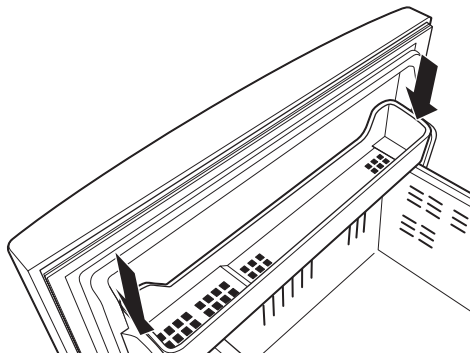


# Instructions d'installation

## 8 REMONTAGE DE LA PORTE DU CONGÉLATEUR (suite)

### REMISE EN PLACE DU BAC DE CONGÉLATEUR

Insérez les extrémités du bac de congélateur dans les deux supports et poussez-le vers le bas jusqu'à ce qu'il se verrouille en place. (Voir page 48.)



## 9 BRANCHEMENT DU RÉFRIGÉRATEUR À LA CONDUITE D'EAU DE LA MAISON

Une alimentation d'eau froide est requise pour faire fonctionner la machine à glaçons. Vous devrez en fournir une si elle n'existe pas. Voir la section *Installation de la conduite d'eau*.

### NOTES :

- Avant de brancher la conduite au réfrigérateur, assurez-vous que le cordon d'alimentation électrique n'est pas branché à la prise murale.
- Si votre réfrigérateur n'est pas équipé de filtre à eau, nous recommandons d'en monter un si votre alimentation d'eau contient du sable ou des particules qui peuvent boucher la grille du robinet d'eau du réfrigérateur. Installez-le sur la conduite d'eau près du réfrigérateur. Si vous utilisez une trousse GE SmartConnect™ Refrigerator Tubing, vous aurez besoin d'un tuyau additionnel (WX08X10002) pour brancher le filtre. Ne coupez pas le tuyau de plastique pour installer le filtre.

- A** Si vous utilisez un tuyau de cuivre, placez un écrou de compression et une bague (manchon) à l'extrémité du tuyau qui vient de l'alimentation d'eau froide de la maison.

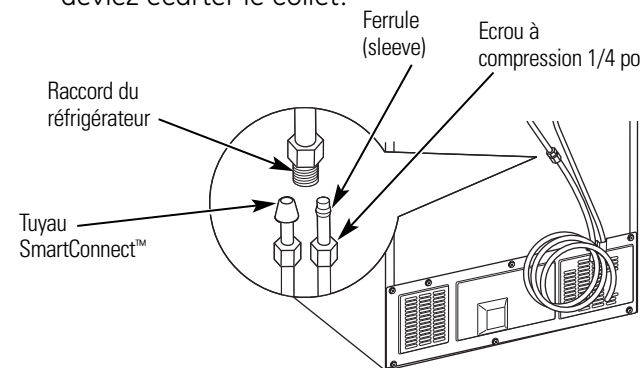
Si vous utilisez un tuyau GE SmartConnect,™ les écrous sont déjà assemblés au tuyau.

## 9 BRANCHEMENT DU RÉFRIGÉRATEUR À LA CONDUITE D'EAU DE LA MAISON (suite)

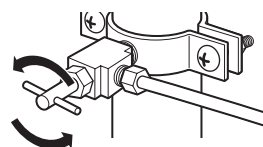
- B** Si vous utilisez un tuyau de cuivre, insérez aussi loin que possible l'extrémité du tuyau dans le raccord à l'arrière du réfrigérateur. Tout en tenant le tuyau, serrez le raccord.

Si vous utilisez un tuyau GE SmartConnect,™ insérez l'extrémité moulée du tuyau dans le raccord à l'arrière du réfrigérateur, puis serrez l'écrou à compression à la main. Serrez ensuite un autre tour à l'aide d'une clé. Un serrage excessif pourrait occasionner des fuites.

- C** Fixez le tuyau dans le collet (fourni) pour le maintenir en position. Il est possible que vous deviez écarter le collet.

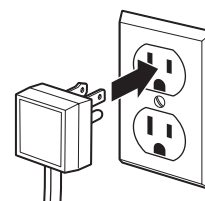


## 10 OUVREZ L'ALIMENTATION D'EAU



Ouvrez l'alimentation d'eau au niveau du robinet d'arrêt (l'alimentation d'eau de la maison) et vérifiez la présence de fuites.

## 11 BRANCHEZ LE CORDON DU RÉFRIGÉRATEUR DANS LA PRISE



Lisez l'étiquette concernant la mise à la terre qui est attachée au cordon d'alimentation.



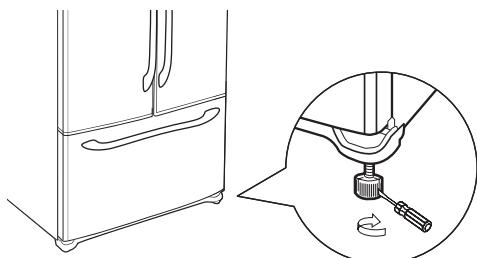
## INSTALLATION DU RÉFRIGÉRATEUR (suite)

### 12 METTEZ LE RÉFRIGÉRATEUR DE NIVEAU

Les pieds de nivellement jouent deux rôles :

- 1) Elles peuvent être réglées de manière à permettre à l'appareil de reposer solidement sur le sol.
- 2) Les pieds de nivellement servent de frein de stabilisation, pour tenir le réfrigérateur bien en place pendant son fonctionnement et son nettoyage. Les pieds d'inclinaison empêchent également le réfrigérateur de basculer.

- A** Tournez les pieds **dans le sens des aiguilles d'une montre pour faire monter** le réfrigérateur, **dans le sens opposé à celui des aiguilles d'une montre pour le faire descendre**.



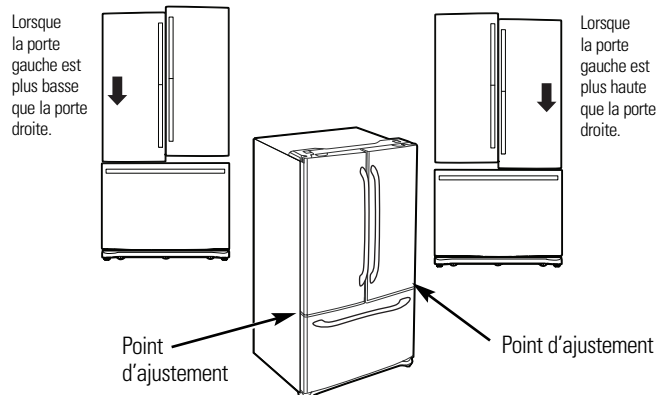
Tournevis à tête plate

### **⚠ MISE EN GARDE :**

**Pour éviter tous risques de blessures corporelles ou de dommages matériels, les pieds de nivellement doit bien reposer sur le plancher.**

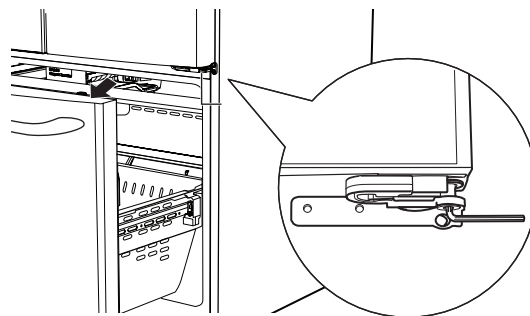
### 13 NIVELLEMENT DES PORTES DU RÉFRIGÉRATEUR

Rappelez-vous qu'un réfrigérateur de niveau est nécessaire pour que les portes soient parfaitement planes. Si vous avez besoin d'aide, reportez-vous à la section précédente sur le nivellement du réfrigérateur.

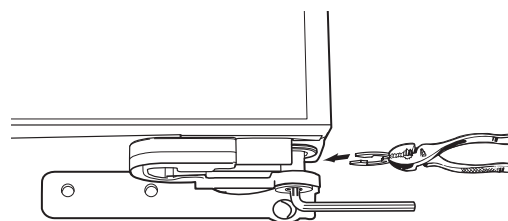


### 13 NIVELLEMENT DES PORTES DU RÉFRIGÉRATEUR (suite)

- A** Si vous ouvrez la porte du congélateur, vous pouvez voir la charnière centrale.
- B** Insérez la clé Allen de 4 mm fournie dans l'orifice de la charnière centrale.
- C** Réglez la hauteur en tournant la clé dans le sens des aiguilles d'une montre ou dans le sens contraire. Lorsque vous tournez dans le sens contraire des aiguilles d'une montre, la porte se déplacera vers le haut.



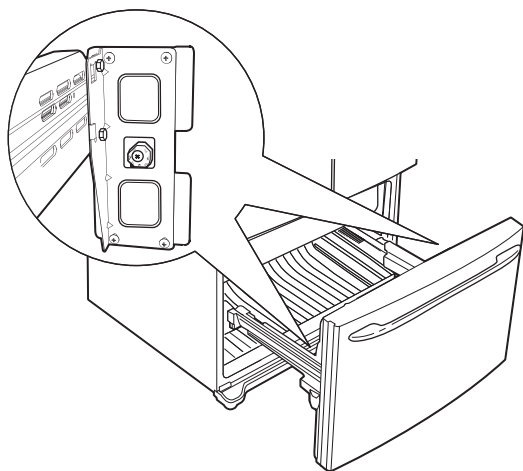
- D** Après avoir réglé les portes, veuillez insérer les rondelles de fixation fournies à l'aide d'une paire de pinces dans l'espace vide entre l'œillet de la charnière et la charnière centrale. Le nombre de rondelles de fixation à insérer dépendra de l'espace vide à combler.



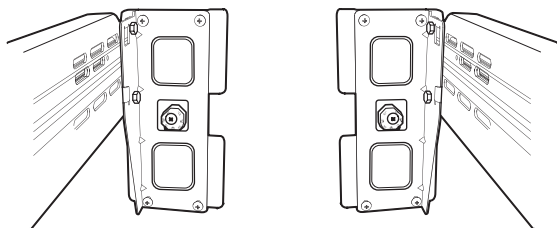
**NOTE :** Quatre rondelles de fixation sont fournies avec le réfrigérateur. L'épaisseur de chaque rondelle est de 0,04 po.

# Instructions d'installation

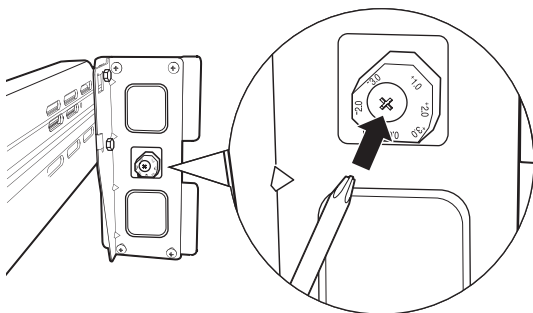
## 14 NIVELLEMENT DE LA PORTE DU CONGÉLATEUR



- A** Localisez le réglage de hauteur dans la porte du congélateur. Desserrez légèrement les quatre vis cruciformes de chaque côté de la porte (droite et gauche).

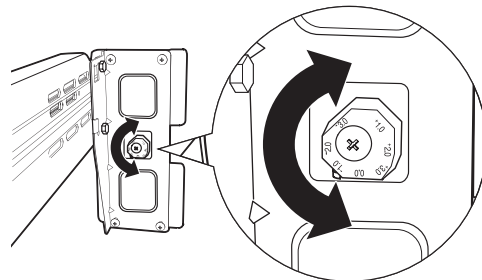


- B** Desserrez la vis de l'ajusteur avec un tournevis cruciforme pour régler le niveau.

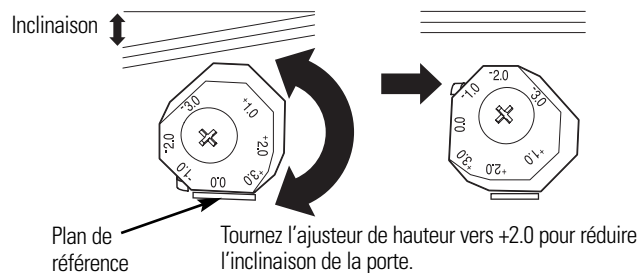


## 14 NIVELLEMENT DE LA PORTE DU CONGÉLATEUR (suite)

- C** Trouvez la meilleure position pour aligner l'inclinaison de la porte.



Exemple : L'inclinaison est d'environ 2 mm comme illustré ci-dessous.



- D** Après le réglage, resserrez toutes les vis.

## 15 RÉGLEZ LES COMMANDES

Réglez les commandes selon les recommandations.

RECOMMENDED CONTROL SETTINGS



## 16 ENLEVEZ LES MATÉRIAUX D'EMBALLAGE

- A** Enlevez tous les matériaux d'emballage (rubans, mousse et autre protection) des clayettes et des tiroirs.



## INSTALLATION DE LA CONDUITE D'EAU

### AVANT DE COMMENCER

Nous recommandons les trousse d'alimentation d'eau en cuivre WX8X2, WX8X3, WX8X4, selon le montant de conduite dont vous avez besoin. Nous approuvons les conduites d'eau en matière plastique GE SmartConnect™ Refrigerator Tubing (WX08X10006, WX08X10015 et WX08X10025).

Si vous installez un système d'eau GE Reverse Osmosis dans votre réfrigérateur, la seule installation approuvée est celle de la trousse GE RVKIT. Pour les autres systèmes d'osmose de l'eau, suivez les recommandations du fabricant.

Si l'alimentation d'eau à votre réfrigérateur vient d'un système de filtration d'osmose inversée ET si votre réfrigérateur a également un filtre d'eau, utilisez le bouchon de dérivation du filtre de votre réfrigérateur. Si vous utilisez la cartouche de filtration de votre réfrigérateur en conjonction avec le filtre MWF, vous pouvez produire des glaçons creux.

Cette installation de conduite d'eau n'est pas garantie par le fabricant de réfrigérateur ou de machine à glaçons. Suivez soigneusement ces instructions pour minimiser le risque de dommages onéreux d'inondation.

Les coups de bélier (eau qui donne des coups dans les tuyaux) dans la tuyauterie de la maison peut occasionner des dommages aux pièces de votre réfrigérateur, ainsi que des fuites ou des inondations. Appelez un plombier certifié pour corriger les coups de bélier avant d'installer la conduite d'eau de votre réfrigérateur.

Pour prévenir toute brûlure et tout dommage à votre réfrigérateur, ne branchez jamais la conduite d'eau à une canalisation d'eau chaude.

#### **Pour les modèles non équipés d'un écran ACL :**

Si le réfrigérateur est utilisé avant de raccorder l'eau à la machine à glaçons, appuyez brièvement sur le bouton **ICE OFF/LOCK** situé sur le panneau afin de désactiver la machine à glaçons. Lorsque le réfrigérateur a été raccordé à l'alimentation en eau, appuyez brièvement sur le bouton **ICE OFF/LOCK** situé sur le panneau de contrôle pour activer la machine à glaçons.

#### **Pour les modèles pourvus d'un écran ACL :**

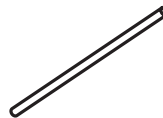
Si le réfrigérateur est utilisé avant de raccorder l'eau à la machine à glaçons, reportez-vous à la section MACHINE À GLAÇONS, Fonctions de l'écran pour les opérations avec écran ACL puis suivez les instructions à l'écran pour désactiver la machine à glaçons.

N'installez jamais les tuyaux de la machine à glaçon dans des endroits où la température risque de descendre en dessous du point de congélation.

Si vous utilisez un outil électrique (comme une perceuse électrique) pendant l'installation, assurez-vous que l'isolement ou le câblage de cet outil empêche tout danger de secousse électrique.

Vous devez procéder à toutes vos installations conformément aux exigences de votre code local de plomberie.

### CE DONT VOUS AUREZ BESOIN



- **Tuyaux en cuivre ou trousse GE SmartConnect™ Refrigerator Tubing**, diamètre extérieur de 1/4 po pour brancher le réfrigérateur à l'alimentation d'eau. Si vous utilisez un tuyau en cuivre, assurez-vous que les deux extrémités du tuyau soient coupées bien droit.

Pour trouver la longueur de tuyau dont vous aurez besoin : mesurez la distance qui va du robinet d'eau situé derrière le réfrigérateur jusqu'au tuyau d'alimentation d'eau. Assurez-vous qu'il y ait assez de tuyau en trop pour vous permettre de décoller le réfrigérateur du mur après l'installation.

Les trousse GE SmartConnect™ Refrigerator Tubing sont disponibles dans les dimensions suivantes :

1,8 m (6 pi) – WX08X10006

4,6 m (15 pi) – WX08X10015

7,6 m (25 pi) – WX08X10025

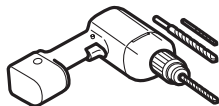
**NOTE : Les seuls tuyaux en matière plastique approuvés par GE sont ceux qui font fournis dans les trousse GE SmartConnect™ Refrigerator Tubing. N'utilisez jamais un autre tuyau en matière plastique, car le tuyau d'alimentation d'eau est tout le temps sous pression. Certaines catégories de tuyaux en matière plastique peuvent devenir cassants avec l'âge et peuvent se fendre, en occasionnant des dommages d'inondation dans votre maison.**

- Vous pouvez acheter une **trousse d'alimentation d'eau GE** (contenant un tuyau en cuivre, un robinet d'arrêt et les joints énumérés ci-dessous) chez votre distributeur local ou en le commandant au service de pièces et accessoires, au 1.888.261.3055.

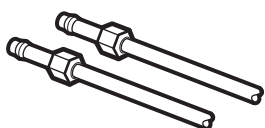
# Instructions d'installation

## CE DONT VOUS AUREZ BESOIN (suite)

- Une alimentation d'eau froide potable. La pression de l'eau doit être entre 20 et 120 p.s.i. (1,4 et 8,1 bar).



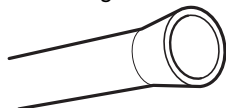
- Une perceuse électrique.
- Une clé de 1/2 po ou une clé réglable.
- Un tournevis à lame plate et un tournevis Phillips.



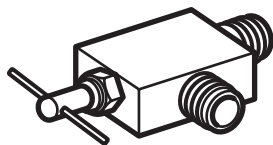
- Deux écrous à compression d'un diamètre extérieur de 1/4 po et deux bagues (manchons)—pour brancher le tuyau en cuivre au robinet d'arrêt et au robinet d'eau du réfrigérateur.

OU

- Si vous utilisez une trousse d'alimentation d'eau GE avec tuyau en matière plastique, les garnitures nécessaires sont déjà montées au tuyau.



- Si votre canalisation d'eau actuelle a un raccord évasé à une extrémité, vous aurez besoin d'un **adaptateur** (que vous trouverez dans votre magasin de matériel de plomberie) pour brancher le tuyau d'eau au réfrigérateur, **OU BIEN** vous pouvez couper le raccord évasé à l'aide d'un **coupe-tube**, puis utiliser un raccord à compression. Ne coupez jamais l'extrémité finie d'un tuyau de la trousse GE SmartConnect™ Refrigerator Tubing.



- Un robinet d'arrêt pour brancher le tuyau d'eau froide. Le robinet d'arrêt doit avoir une entrée d'eau avec un diamètre intérieur minimal de 5/32 po au point de jonction avec le **TUYAU D'EAU FROIDE**. Des robinets d'arrêt à étrier sont souvent inclus dans les trousse d'alimentation d'eau. Avant d'acheter, assurez-vous que le robinet à étrier se conforme à vos codes de plomberie locaux.

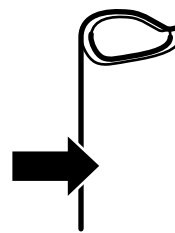
Installez le robinet d'arrêt sur la canalisation d'eau potable la plus fréquemment utilisée.

## 1 FERMEZ L'ALIMENTATION PRINCIPALE D'EAU

Ouvrez le robinet le plus proche suffisamment longtemps pour purger le tuyau.

## 2 CHOISISSEZ L'EMPLACEMENT DU ROBINET

Choisissez pour le robinet un emplacement facilement accessible. Il vaut mieux le brancher de côté à un tuyau vertical. Si vous devez le brancher à un tuyau horizontal, faites le branchement en haut ou de côté, plutôt qu'en bas du tuyau, pour éviter de recevoir des sédiments du tuyau d'alimentation d'eau.

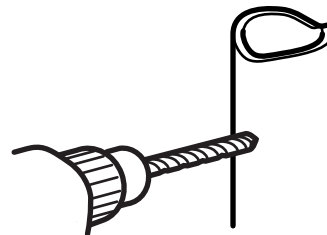


## 3 PERCEZ UN TROU POUR LE ROBINET

Percez un trou de 1/4 po dans le tuyau d'eau, à l'aide d'un foret dur. Enlevez toute barbare due au perçage du trou dans le tuyau.

**Faites attention de ne pas laisser de l'eau couler dans votre perceuse électrique.**

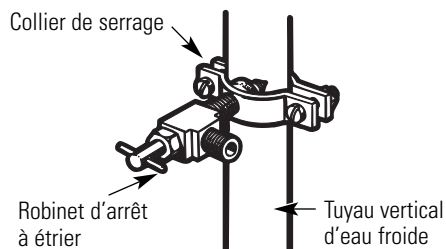
Si vous ne percez pas un trou de 1/4 po, vous obtiendrez une alimentation d'eau réduite et des glaçons plus petits.



## INSTALLATION DE LA CONDUITE D'EAU (SUITE)

### 4] FIXEZ LE ROBINET D'ARRÊT

Fixez le robinet d'arrêt au tuyau d'eau froide à l'aide du collier de serrage.

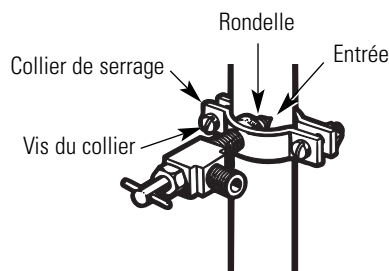


**NOTE :** Vous devez vous conformer aux Codes de plomberie 248CMR du Commonwealth of Massachusetts. Les robinets d'arrêt à étrier sont illégaux et leur utilisation n'est pas autorisée au Massachusetts. Consultez votre plombier local.

### 5] SERREZ LE COLLIER DE SERRAGE

Serrez les vis du collier jusqu'à ce que la rondelle d'étanchéité commence à enfler.

**NOTE :** Ne serrez pas trop. Vous risquez d'écraser le tuyau de cuivre.



### 6] ACHEMINEZ LE TUYAU

Acheminez le tuyau du tuyau d'eau froide au réfrigérateur.

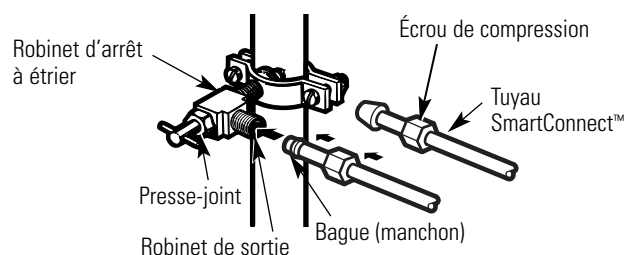
Faites passer le tuyau par un trou percé dans le mur ou le plancher (derrière le réfrigérateur ou au niveau de l'armoire de cuisine adjacente), aussi près du mur que possible.

### 7] BRANCHEZ LE TUYAU AU ROBINET

Placez un écrou de compression et une bague (manchon) à l'extrémité du tuyau et branchez-les au robinet d'arrêt.

Assurez-vous que le tuyau soit bien inséré dans le robinet. Serrez fort l'écrou de compression.

Pour le tuyau en matière plastique d'une trousse GE SmartConnect™ Refrigerator Tubing, insérez l'extrémité moulée du tuyau dans le robinet d'arrêt et serrez l'écrou de compression à la main, puis serrez un autre demi tour avec une clé. Si vous serrez trop fort, vous pouvez occasionner des fuites.



**NOTE :** Vous devez vous conformer aux Codes de plomberie 248CMR du Commonwealth of Massachusetts. Les robinets d'arrêt à étrier sont illégaux et leur utilisation n'est pas autorisée au Massachusetts. Consultez votre plombier local.

### 8] PURGEZ LE TUYAU

Ouvrez le robinet d'alimentation principale d'eau et purgez le tuyau jusqu'à ce que l'eau soit claire.

Fermez l'eau au niveau du robinet d'eau après écoulement d'environ 1 litre (1 quart) d'eau par le tuyau.



Pour compléter l'installation du réfrigérateur, retournez à l'étape 9 de la section *Installation du réfrigérateur*.



Les réfrigérateurs plus récents font des bruits différents de ceux des anciens. Les réfrigérateurs modernes présentent plus de fonctions et sont plus avancés sur le plan technologique.

## Entendez-vous ce que j'entends ? Ces bruits sont normaux.

### HUMMM... OUUCH....

- Le nouveau compresseur à rendement élevé peut fonctionner plus longtemps et plus vite que votre ancien réfrigérateur et vous pouvez entendre un son modulé ou un ronflement aigu pendant son fonctionnement.
- Vous pouvez entendre un sifflement lorsque les portes se ferment. Cela vient de l'équilibrage de pression dans le réfrigérateur.

### OUIR !



- Vous pouvez entendre les ventilateurs tourner à hautes vitesses. Cela se produit lorsque le réfrigérateur vient d'être branché, lorsque les portes sont ouvertes fréquemment ou lors de l'ajout d'une grande quantité d'aliments dans les compartiments congélateur ou réfrigérateur. Les ventilateurs permettent de maintenir les bonnes températures.
- Les ventilateurs changent de vitesses pour assurer des économies d'énergie et un refroidissement optimaux.

### CLICS et CLAQUEMENTS

- Vous pouvez entendre des craquements ou des claquements lorsque le réfrigérateur est branché pour la première fois. Cela se produit lorsque le réfrigérateur se refroidit à la bonne température.
- Le réglage du congélateur clique quand le compresseur se met en marche ou s'arrête.
- L'expansion et la contraction des serpentins de refroidissement pendant et après le dégivrage peuvent causer un craquement ou un claquement.
- Sur les modèles équipés d'une machine à glaçons, après un cycle de fabrication de glaçons, vous pouvez entendre les glaçons tomber dans le bac.
- Sur les modèles munis d'un distributeur, le mouvement des conduites peut être audible lors de la première distribution d'eau et après le relâchement du bouton du distributeur.

### BRUITS D'EAU



- Le passage de l'agent frigorigère dans les serpentins de refroidissement du congélateur peut être accompagné d'un gargouillement semblable à celui de l'eau en ébullition.
- L'eau tombant sur l'élément chauffant de dégivrage peut faire un bruit de grésillement, de claquement ou de bourdonnement pendant le cycle de dégivrage.
- Un bruit de suintement d'eau peut être entendu pendant le cycle de dégivrage lorsque la glace de l'évaporateur fond et tombe dans le bac de récupération.
- Fermer la porte peut causer un gargouillement en raison de l'équilibrage de pression.



Pour obtenir plus d'information sur les bruits normaux de fonctionnement de la machine à glaçons, veuillez consulter la section **Machine à glaçons automatique.**

## Avant d'appeler un réparateur...



Conseils de dépannage—Économisez du temps et de l'argent!  
Consultez d'abord les tableaux qui suivent et vous pourrez peut-être éviter de faire appel à un réparateur.

Problème	Causes possibles	Correctifs
Le réfrigérateur ne fonctionne pas	Le cycle de dégivrage est en cours.	• Attendez environ 30 minutes permettre au cycle de dégivrage de se terminer.
	Le réfrigérateur est débranché.	• Enfoncez la fiche de l'appareil dans la prise murale.
	Le disjoncteur ou le fusible peut avoir sauté.	• Remplacez le fusible ou réenclenchez le disjoncteur.
Vibration ou bruit métallique (une légère vibration est normale)	Les pieds de nivellement ont besoin d'être réglés.	• Consultez Mettez le réfrigérateur de niveau.

# Avant d'appeler un réparateur...



Mesures de sécurité

Fonctionnement

Installation

Conseils de dépannage

Soutien au consommateur

Problème	Causes possibles	Correctifs
Le moteur fonctionne pendant de longues périodes ou démarre et s'arrête fréquemment. (Les réfrigérateurs modernes et leurs congélateurs étant plus grands, leur moteur doit fonctionner plus longtemps. Ils démarrent et s'arrêtent afin de maintenir des températures uniformes.)	Ceci est normal lorsque le réfrigérateur vient d'être branché.	<ul style="list-style-type: none"> <li>Attendez 24 heures pour que le réfrigérateur refroidisse complètement.</li> </ul>
	Ceci arrive souvent lorsque une grande quantité d'aliments a été mise au réfrigérateur.	<ul style="list-style-type: none"> <li>C'est normal.</li> </ul>
	Porte laissée ouverte.	<ul style="list-style-type: none"> <li>Vérifiez qu'il n'y a pas un paquet qui empêche la porte de fermer.</li> </ul>
	Temps chaud ou ouverture fréquente des portes.	<ul style="list-style-type: none"> <li>C'est normal.</li> </ul>
	Les commandes de température ont été réglées aux températures les plus basses.	<ul style="list-style-type: none"> <li>Consultez <i>Les commandes</i>.</li> </ul>
	La fonction TurboCool est active.	<ul style="list-style-type: none"> <li>C'est normal quand la fonction TurboCool est active. Consultez la section <i>TurboCool</i> pour de plus amples informations.</li> </ul>
Température trop élevée dans le congélateur ou le réfrigérateur	La commande de température du réfrigérateur ou du congélateur n'est pas réglée à une température assez basse.	<ul style="list-style-type: none"> <li>Consultez <i>Les commandes</i>.</li> </ul>
	Temps chaud ou ouverture fréquente des portes.	<ul style="list-style-type: none"> <li>Abaissez la commande de température d'une position. Consultez <i>Les commandes</i>.</li> </ul>
	Porte laissée ouverte.	<ul style="list-style-type: none"> <li>Vérifiez qu'il n'y a pas un paquet qui empêche la porte de fermer.</li> </ul>
Givre sur les aliments surgelés (il est normal que du givre se forme à l'intérieur du paquet)	Porte laissée ouverte.	<ul style="list-style-type: none"> <li>Vérifiez qu'il n'y a pas un paquet qui empêche la porte de fermer.</li> </ul>
	Les ouvertures de porte sont trop fréquentes ou trop longues.	<ul style="list-style-type: none"> <li>C'est normal.</li> </ul>
Vibration fréquente	La fonctionnalité <i>Ice Off</i> (glace désactivée) est désactivée, mais l'approvisionnement en eau du réfrigérateur n'est pas branché.	<p><b>Modèles non équipés d'un écran ACL :</b></p> <ul style="list-style-type: none"> <li>Appuyez et relâchez la touche <b>ICE OFF/LOCK</b> (glace désactivée/verrouillage) du panneau de contrôle pour <b>activer</b> la fonctionnalité <i>Ice Off</i> (glace désactivée), puis l'icône  s'affiche. Maintenir <b>activée</b> la fonctionnalité <i>Ice Off</i> (glace désactivée) endommagera la vanne d'eau.</li> </ul> <p><b>Modèles ACL :</b></p> <ul style="list-style-type: none"> <li>Sur l'écran ACL, sélectionnez <b>SETTING</b> (réglages) puis <b>SYSTEM</b> (système) pour accéder à la machine à glaçons.</li> </ul>
	Petits glaçons ou glaçons creux à l'intérieur	Le filtre à eau est bouché.
La machine à glaçons automatique ne fonctionne pas	La fonctionnalité <i>Ice Off</i> (glace désactivée) est activée.	<p><b>Modèles non équipés d'un écran ACL :</b></p> <ul style="list-style-type: none"> <li>Appuyez et relâchez la touche <b>ICE OFF/LOCK</b> (glace désactivée/verrouillage) du panneau de contrôle pour <b>désactiver</b> la fonctionnalité <i>Ice Off</i> (glace désactivée), puis l'icône  disparaît.</li> </ul> <p><b>Modèles ACL :</b></p> <ul style="list-style-type: none"> <li>Sur l'écran ACL, sélectionnez <b>SETTING</b> (réglages) puis <b>SYSTEM</b> (système) pour accéder à la machine à glaçons. Sélectionnez <b>ON</b> (marche).</li> </ul>
	L'alimentation d'eau est arrêtée ou n'est pas branchée.	<ul style="list-style-type: none"> <li>Consultez <i>Installation de la conduite d'eau</i>.</li> </ul>
	Le compartiment congélateur est trop chaud.	<ul style="list-style-type: none"> <li>Attendez 24 heures que le réfrigérateur soit complètement froid.</li> </ul>
	Une accumulation de glaçons dans le tiroir à glaçons peut causer un arrêt de la machine à glaçons.	<ul style="list-style-type: none"> <li>Égalisez les glaçons à la main.</li> </ul>
Des glaçons se sont collés dans la machine à glaçons.	<ul style="list-style-type: none"> <li><b>Débranchez</b> la machine à glaçons, enlevez les glaçons, puis remettez en marche la machine à glaçons.</li> </ul>	

Problème	Causes possibles	Correctifs
Odeur/saveur anormale des glaçons	Des aliments ont transmis leur odeur/goût aux glaçons.	<ul style="list-style-type: none"> <li>• Emballez bien les aliments.</li> </ul>
	Il faut nettoyer l'intérieur du réfrigérateur.	<ul style="list-style-type: none"> <li>• Consultez <i>Entretien et nettoyage</i>.</li> <li>• Gardez une boîte de bicarbonate de soude ouverte dans votre réfrigérateur. Remplacez-la tous les trois mois.</li> </ul>
Formation lente des glaçons	Porte laissée ouverte.	<ul style="list-style-type: none"> <li>• Vérifiez qu'il n'y a pas un paquet qui empêche la porte de fermer.</li> </ul>
	La commande de température du congélateur n'est pas réglée à une température assez basse.	<ul style="list-style-type: none"> <li>• Consultez <i>Les commandes</i>.</li> </ul>
Odeur dans le réfrigérateur	Des aliments ont transmis leur odeur au réfrigérateur.	<ul style="list-style-type: none"> <li>• Les aliments à odeur forte doivent être emballés hermétiquement.</li> <li>• Gardez une boîte ouverte de bicarbonate de soude dans le réfrigérateur.</li> </ul>
	Il faut nettoyer l'intérieur.	<ul style="list-style-type: none"> <li>• Consultez <i>Entretien et nettoyage</i>.</li> </ul>
De la condensation s'accumule à l'extérieur	Cela n'est pas inhabituel pendant les périodes de forte humidité.	<ul style="list-style-type: none"> <li>• Essuyez bien la surface extérieure et abaissez la commande du réfrigérateur d'une position.</li> <li>• <b>Désactivez</b> le mode d'économie d'énergie.</li> </ul>
De l'humidité se forme à l'intérieur (quand il fait humide, l'air transporte de l'humidité à l'intérieur du réfrigérateur quand vous ouvrez les portes)	Vous ouvrez les portes trop souvent ou trop longtemps.	<ul style="list-style-type: none"> <li>• C'est normal.</li> </ul>
La lumière de compartiment réfrigération ou congélation ne s'allume pas	Pas d'électricité à la prise.	<ul style="list-style-type: none"> <li>• Remplacez le fusible ou remettez en marche le disjoncteur.</li> </ul>
	L'ampoule a brûlé ou elle n'est pas vissée à fond.	<ul style="list-style-type: none"> <li>• Consultez <i>Remplacement des ampoules électriques</i>.</li> </ul>
La porte/le tiroir ne ferme pas seul	Vous devez ajuster les pieds de nivellement.	<ul style="list-style-type: none"> <li>• Consultez <i>Installation du réfrigérateur</i>.</li> </ul>
De l'air chaud souffle du bas du réfrigérateur	C'est normal. Le moteur se refroidit à l'air. Dans le processus de réfrigération il est normal que de la chaleur soit émise en bas du réfrigérateur. Certains revêtements de sol sont sensibles et changent de couleur à ces températures normales et pas dangereuses.	
Les aliments gèlent dans le compartiment réfrigération	Les aliments sont trop près de l'ouverture de circulation d'air à l'arrière du compartiment réfrigération.	<ul style="list-style-type: none"> <li>• Éloignez les aliments de l'ouverture de circulation d'air.</li> </ul>
	Le réglage de votre réfrigérateur est trop froid.	<ul style="list-style-type: none"> <li>• Réglez votre réfrigérateur à une température plus chaude en sélectionnant une graduation à la fois.</li> </ul>

## Avant d'appeler un réparateur...

Problème	Causes possibles	Correctifs
Mauvais goût/odeur de l'eau	Le distributeur d'eau n'a pas été utilisé depuis longtemps.	<ul style="list-style-type: none"> <li>Faites couler l'eau jusqu'à ce que l'eau du système soit remplacée par de l'eau fraîche.</li> </ul>
L'eau versée dans le premier verre est chaude	Normal lorsque le réfrigérateur est initialement installé.	<ul style="list-style-type: none"> <li>Attendez 24 heures pour que la température du réfrigérateur se stabilise.</li> </ul>
	Le distributeur d'eau n'a pas été utilisé depuis longtemps.	<ul style="list-style-type: none"> <li>Faites couler l'eau jusqu'à ce que l'eau du système soit remplacée par de l'eau fraîche.</li> </ul>
Le distributeur d'eau ne fonctionne pas	Le réservoir d'eau vient d'être vidangé.	<ul style="list-style-type: none"> <li>Attendez plusieurs heures pour que l'eau refroidisse.</li> </ul>
	L'alimentation en eau est coupée ou n'est pas raccordée.	<ul style="list-style-type: none"> <li>Consultez <i>Installation de la conduite d'eau</i>.</li> </ul>
	Le filtre à eau est bouché.	<ul style="list-style-type: none"> <li>Remplacez la cartouche du filtre avec une nouvelle cartouche ou installez le bouchon du filtre.</li> </ul>
	Il y a de l'air dans la conduite d'eau.	<ul style="list-style-type: none"> <li>Appuyez sur le bras de distribution pendant au moins deux minutes.</li> </ul>
L'eau jaillit du distributeur	L'eau dans le réservoir est gelée parce que la température de réglage est trop froide.	<ul style="list-style-type: none"> <li>Augmentez la température de réglage de compartiment réfrigération et attendez 24 heures. Si l'eau ne coule pas du distributeur près 24 heures, appelez le service.</li> </ul>
	La cartouche du filtre vient d'être installée.	<ul style="list-style-type: none"> <li>Faites couler l'eau du distributeur pendant 3 minutes (environ 6 litres).</li> </ul>
	La machine à glaçons ne distribue ni eau ni glaçons	<ul style="list-style-type: none"> <li>Appelez un plombier.</li> </ul>
L'eau coule du distributeur	Le filtre à eau est bouché.	<ul style="list-style-type: none"> <li>Remplacez la cartouche du filtre avec une nouvelle cartouche ou installez le bouchon du filtre.</li> </ul>
	Cartouche de filtre mal installée.	<ul style="list-style-type: none"> <li>Retirez et réinstallez la cartouche de filtre en vous assurant qu'elle se bloque en place. La lame à l'extrémité de la cartouche doit être positionnée verticalement.</li> </ul>
	Vous ne tenez pas le verre sous le distributeur suffisamment longtemps après avoir relâché le bouton.	<ul style="list-style-type: none"> <li>Tenez le verre sous le distributeur pendant 2-3 secondes après avoir relâché le bouton du distributeur. L'eau peut continuer à couler après que vous ayez relâché le bouton.</li> </ul>
	De l'air peut se trouver dans les conduites d'eau, causant l'égouttement après une distribution d'eau.	<ul style="list-style-type: none"> <li>Faites écouler l'eau pendant au moins 2 minutes pour expulser l'air du système.</li> </ul>



Problème	Causes possibles	Correctifs
Le voyant lumineux du filtre d'eau a changé de couleur	C'est normal.	<ul style="list-style-type: none"> <li>Consultez la section <i>Filtre d'eau</i> pour de plus amples informations.</li> </ul>
Le voyant lumineux de filtre d'eau demeure rouge après un remplacement du filtre d'eau	Il faut remettre à zéro l'indicateur de filtre d'eau.	<p><b>Modèles non équipés d'un écran ACL :</b></p> <ul style="list-style-type: none"> <li>Appuyez sur la touche <b>ICE &amp; WATER</b> (glace &amp; eau) et tenez-la appuyée pendant 3 secondes. Consultez la section <i>Filtre d'eau</i> pour de plus amples informations.</li> </ul> <p><b>Modèles ACL :</b></p> <ul style="list-style-type: none"> <li>Sur l'écran ACL, sélectionnez <b>SETTING</b> (réglages) puis <b>WATER FILTER</b> (filtre à eau). Sélectionnez <b>REPLACE</b> (remplacer) puis suivez les instructions données.</li> </ul>
Le voyant lumineux de filtre d'eau ne s'allume pas	C'est normal. Ce voyant devient orange pour vous dire que vous avez besoin de remplacer le filtre bientôt. Vous devez remplacer le filtre quand le voyant indicateur de remplacement du filtre devient rouge.	<ul style="list-style-type: none"> <li>Consultez la section <i>Filtre d'eau</i> pour de plus amples informations.</li> </ul>
La poignée est lâche/ Il y a un espace vide pour la poignée	Vous devez ajuster la poignée de porte.	<ul style="list-style-type: none"> <li>Consultez les sections <i>Fixez la poignée du compartiment aliments frais</i> et <i>Fixez la poignée du compartiment congélation</i> pour des instructions détaillées.</li> </ul>
Son du réfrigérateur	C'est l'alarme de porte.	<ul style="list-style-type: none"> <li>Fermez la porte.</li> </ul>
Le réglage de contrôles n'est pas allumé (Modèles non équipés d'un écran ACL)	Sur certains modèles, les ampoules électriques situées en haut du compartiment réfrigération allument les réglages de contrôle de la température.	<ul style="list-style-type: none"> <li>Si les réglages de contrôle ne s'allument pas, vérifiez que les ampoules électriques ne soient pas brûlées, et remplacez-les le cas échéant.</li> </ul>
L'écran ACL se bloque (modèles avec ACL)	Il faut remettre à zéro l'écran ACL.	<ul style="list-style-type: none"> <li>Remettez à zéro l'écran ACL en insérant l'extrémité d'un trombone dans le petit trou situé près de la fente pour carte SD sous l'arête frontale du distributeur (voir <i>Fonctions du distributeur</i>, photo de l'emplacement).</li> </ul>



## GARANTIE DU CLIENT

(pour la clientèle au Canada)

Votre réfrigérateur est garanti contre tout défaut de matériau et de fabrication.

Ce que cette garantie couvre	Durée de garantie (à partir de la date d'achat)	Pièces Réparation ou remplacement au choix de Mabe	Main-d'oeuvre
Compresseur	GE Profile : Dix (10) ans GE et toutes autre marques : Un (1) an	GE Profile : Dix (10) ans GE et toutes autre marques : Un (1) an	GE Profile : Cinq (5) ans GE et toutes autre marques : Un (1) an
Système scellé (y compris l'évaporateur, la tuyauterie du condenseur et le frigorigène)	GE Profile : Cinq (5) ans GE et toutes autre marques : Un (1) an	GE Profile : Cinq (5) ans GE et toutes autre marques : Un (1) an	GE Profile : Cinq (5) ans GE et toutes autre marques : Un (1) an
Toutes les autres pièces	Un (1) an	Un (1) an	Un (1) an

### TERMES ET CONDITIONS :

La présente garantie ne s'applique qu'à l'utilisation domestique par une seule famille au Canada, lorsque le réfrigérateur a été installé conformément aux instructions fournies par Mabe et est alimenté correctement en eau et en électricité.

Les dommages dus à une utilisation abusive, un accident, une exploitation commerciale, ainsi que la modification, l'enlèvement ou l'altération de la plaque signalétique annulent la présente garantie.

L'entretien effectué dans le cadre de la présente garantie doit l'être par un réparateur agréé Mabe.

Mabe et le marchand ne peuvent être tenus pour responsables en cas de réclamations ou dommages résultant de toute panne du réfrigérateur ou d'un entretien retardé pour des raisons qui raisonnablement échappent à leur contrôle.

L'acheteur doit, pour obtenir un service dans le cadre de la garantie, présenter la facture originale. Les éléments réparés ou remplacés ne sont garantis que pendant le restant de la période de garantie initiale.

Cette garantie est offerte à l'acheteur initial, ainsi qu'à tout propriétaire subséquent d'un produit acheté en vue d'une utilisation domestique au Canada. Le service à domicile en vertu de la garantie sera fourni dans les régions où il est disponible et où Mabe estime raisonnable de le fournir.

Cette garantie est en sus de toute garantie statutaire.

### EXCLUSIONS DE LA GARANTIE :

- Le propriétaire est responsable de payer les réparations occasionnées par l'installation de ce produit et/ou les visites nécessaires pour lui apprendre à utiliser ce produit.
- Tout dommage au fini de l'appareil doit être signalé auprès du magasin où a été effectué l'achat dans les 48 heures suivant la livraison de l'appareil.
- Dommages causés à la peinture ou à l'émail après livraison.
- Installation incorrecte—l'installation correcte inclut la bonne circulation d'air pour le système de réfrigération, des possibilités de branchement aux circuits électriques, d'alimentation en eau et autres.
- Remplacement des fusibles ou réarmement des disjoncteurs.
- Remplacement des ampoules électriques.
- Dommages subis par l'appareil à la suite d'un accident, d'un incendie, d'inondations ou en cas de force majeure.
- Utilisation correcte et entretien adéquat de l'appareil selon le manuel d'utilisation, réglage correct des commandes.
- Perte des aliments due à la détérioration.
- Le service s'il est impossible d'avoir accès au produit pour ce faire.
- LE GARANT N'EST PAS RESPONSABLE DES DOMMAGES INDIRECTS.

**EXCLUSION DE GARANTIES IMPLICITES—Votre seul et unique recours est la réparation du produit selon les dispositions de cette Garantie limitée. Toutes les garanties implicites, incluant les garanties de commercialité et d'adéquation à un usage spécifique, sont limitées à une année ou à la période la plus courte autorisée par la législation.**

### IMPORTANT

**Gardez cette garantie et votre facture originale comme preuve d'achat et preuve de la date d'achat.**

Mabe vous offre ses services dans tout le pays. Pour de plus amples renseignements sur la présente garantie, veuillez prendre contact avec :

Directeur, Relations avec les consommateurs, Mabe Canada Inc.,  
Bureau 310, 1 Factory Lane, Moncton, N.B. E1C 9M3

1.800.561.3344

*Agrapez votre reçu ici.  
Vous devez fournir la preuve de  
l'achat original pour obtenir des  
services en vertu de la garantie.*

**Feuillet de données relatives à la performance**  
**Cartouche MWF du système de**  
**Filtration d'eau GE SmartWater**

**Ce système a été essayé selon les normes NSF/ANSI 42/53 pour une réduction des substances énumérées ci-dessous. La concentration des substances indiquées dans l'eau qui entre dans le système a été réduite à une concentration inférieure ou égale à la limite permise pour l'eau quittant le système, telle que précisée par la norme NSF/ANSI 42/53.\***

*(facteurs intégrés de sécurité à 100% pour une utilisation sans compteur)*

Norme N° 42 : Effets esthétiques								
Paramètre	USEPA MCL	Qualité influent concentration	Moyenne influente	Effluent		% Réduction		Réduction exigeante min.
				Moyenne	Maximum	Moyenne	Minimum	
Chlore	—	2,0 mg/L ± 10%	1,96 mg/L	0,06 mg/L	0,11 mg/L	96,77%	94,74%	> 50%
Goût et odeur	—	—	—	—	—	—	—	—
Particules**	—	10.000 particules/mL minimum	6.400.000 #/mL	58.833 #/mL	150.000 #/mL	99,14%	97,97%	≥ 85%

Norme N° 53 : Effets de santé								
Paramètre	USEPA MCL	Qualité influent concentration	Moyenne influente	Effluent		% Réduction		Réduction exigeante min.
				Moyenne	Maximum	Moyenne	Minimum	
Turbidité	0,5 NTU	11 ± 1 NTU***	10,5 NTU	0,14 NTU	0,28 NTU	98,54%	97,20%	0,5 NTU
Spores	≥ 99,95% réduction	50.000 L minimum	118.750 #/L	< 1 #/L	4 #/L	> 99,99%	> 99,99%	≥ 99,95%
Amiante	≥ 99% réduction	10 <sup>7</sup> à 10 <sup>8</sup> fibres/L; > 10µm	57 MF/L	0,996 MF/L	< 1 MF/L	99,60%	99,39%	≥ 99%
Plomb au pH 6,5	0,015 mg/L	0,15 mg/L ± 10%	0,1567 mg/L	< 0,001 mg/L	< 0,001 mg/L	99,36%	99,29%	0,010 mg/L
Plomb au pH 8,5	0,015 mg/L	0,15 mg/L ± 10%	0,1433 mg/L	< 0,001 mg/L	< 0,001 mg/L	99,30%	99,29%	0,010 mg/L
Mercure à pH 6,5	0,002 mg/L	0,006 mg/L ± 10%	0,0059 mg/L	0,000350 mg/L	0,0007 mg/L	94,70%	87,50%	0,002 mg/L
Mercure à pH 8,5	0,002 mg/L	0,006 mg/L ± 10%	0,0057 mg/L	0,000325 mg/L	0,0006 mg/L	93,20%	89,29%	0,002 mg/L
Alachlore	0,002 mg/L	0,04 mg/L ± 10%	0,0367 mg/L	0,00023 mg/L	0,0004 mg/L	99,34%	98,67%	0,002 mg/L
Lindane	0,0002 mg/L	0,002 mg/L ± 10%	0,0020 mg/L	< 0,00002 mg/L	< 0,00002 mg/L	99,00%	98,95%	0,0002 mg/L
2,4-D	0,070 mg/L	0,210 mg/L ± 10%	0,2033 mg/L	0,00337 mg/L	0,011000 mg/L	98,32%	94,50%	0,070 mg/L
Toxaphène	0,003 mg/L	0,015 mg/L ± 10%	0,0160 mg/L	0,00100 mg/L	0,001000 mg/L	93,44%	91,67%	0,003 mg/L
Benzène	0,005 mg/L	0,015 mg/L ± 10%	0,0145 mg/L	0,000500 mg/L	0,000500 mg/L	96,51%	95,83%	0,005 mg/L
Carbofurane	0,040 mg/L	0,080 mg/L ± 10%	0,0830 mg/L	0,001000 mg/L	0,001000 mg/L	98,78%	98,65%	0,04 mg/L
1,4 Dichlorobenzène	0,075 mg/L	0,225 mg/L ± 10%	0,2283 mg/L	0,000500 mg/L	0,000500 mg/L	99,78%	99,77%	0,075 mg/L
Atrazine	0,003 mg/L	0,009 mg/L ± 10%	0,0087 mg/L	< 0,0005 mg/L	< 0,0005 mg/L	94,22%	93,33%	0,003 mg/L

\* Testé utilisant un débit de 0,50 gpm; une pression de 60 psig; un pH de 7,5 ± 0,5; et une temp. de 20° C ± 3° C (68° F ± 5° F)

\*\* Mesures en particules/ml. Les particules utilisés étaient de 0,5-1 micron.

\*\*\* NTU = unités de turbidité néphélométrique

### Spécifications d'opération

- Capacité: certifiée jusqu'à maximum de 300 gallons (1135 l); jusqu'à maximum de six mois pour les modèles non dotés d'un voyant indicateur de remplacement de filtre; jusqu'à maximum d'un an pour les modèles dotés d'un voyant indicateur de remplacement de filtre
- Exigence en matière de pression : 2,8 à 8,2 bar (40 à 120 psi), sans choc
- Température : 0,6°-38 °C (33°-100° F)
- Débit : 1,9 lpm (0,5 gpm)

### Exigences générales d'installation/opération/entretien

- Rincez la nouvelle cartouche à plein débit pendant 3 minutes afin de libérer de l'air.
- Remplacez la cartouche lorsque le voyant clignote ou lorsque le débit d'eau est réduit pour les appareils sans voyants.

### Avis spéciaux

- Les directives d'installation, la disponibilité de pièces et de service ainsi que la garantie standard sont expédiées avec le produit.
- Ce système d'eau potable doit être entretenu conformément aux directives du fabricant, y compris le remplacement des cartouches du filtre.
- N'utilisez pas lorsque l'eau présente un danger microbiologique ou lorsque l'eau est d'une qualité inconnue sans désinfecter adéquatement le système avant ou après; le système peut servir pour de l'eau désinfectée qui pourrait contenir des spores filtrables.
- Les contaminants ou autres substances retirées ou réduites par ce système de traitement de l'eau ne sont pas nécessairement dans votre eau.
- Vérifiez pour vous assurer de vous conformer aux lois et règlements locaux et de l'état.
- Notez que bien que l'essai a eu lieu dans des conditions normales de laboratoire, mais que le rendement réel peut varier. Les systèmes doivent être installés et fonctionner conformément aux procédures et directives recommandées par le fabricant.

Testée et certifiée selon les normes 42 et 53 de ANSI/NSF pour la réduction de :

#### Norme N° 42 : Effets esthétiques

Unité chimique  
 L'odeur et le goût de chlore  
 Unité de filtration mécanique  
 Réduction de particules, catégorie I

#### Norme N° 53 : Effets de santé

Unité de réduction chimique  
 Réduction alachlore et atrazine  
 Réduction benzène et carbofurane  
 Réduction 1,4 dichlorobenzène et 2,4-D  
 Réduction plomb et lindane  
 Réduction mercure et toxaphène  
 Unité de filtration mécanique  
 Réduction de turbidité  
 Réduction de spores et amiante



## Soutien au consommateur.

---



### Site Web appareils électroménagers GE [www.electromenagersge.ca](http://www.electromenagersge.ca)

---

Vous avez une question ou vous avez besoin d'aide pour votre appareil électroménager? Contactez-nous par Internet au site [www.electromenagersge.ca](http://www.electromenagersge.ca) 24 heures par jour, tous les jours de l'année.



### Service de réparations

---

**1.800.561.3344**

Service de réparations GE est tout près de vous.

Pour faire réparer votre électroménager GE, il suffit de nous téléphoner.



### Studio de conception réaliste

---

Sur demande, GE peut fournir une brochure sur l'aménagement d'une cuisine pour les personnes à mobilité réduite.

Écrivez: Directeur, Relations avec les consommateurs, Mabe Canada Inc.  
Bureau 310, 1 Factory Lane  
Moncton, N.B. E1C 9M3



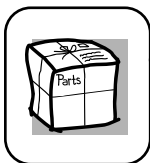
### Prolongation de garantie

---

[www.electromenagersge.ca](http://www.electromenagersge.ca)

Achetez un contrat d'entretien GE avant que votre garantie n'expire et bénéficiez d'un rabais substantiel. Ainsi le service après-vente GE sera toujours là après expiration de la garantie.

Visitez notre site Web ou appelez-nous au **1.800.461.3636**.



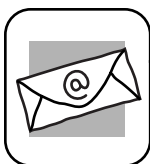
### Pièces et accessoires

---

Ceux qui désirent réparer eux-mêmes leurs électroménagers peuvent recevoir pièces et accessoires directement à la maison (cartes VISA, MasterCard et Discover acceptées).

**Les directives stipulées dans le présent manuel peuvent être effectuées par n'importe quel utilisateur. Les autres réparations doivent généralement être effectuées par un technicien qualifié. Soyez prudent, car une réparation inadéquate peut affecter le fonctionnement sécuritaire de l'appareil.**

Vous trouverez dans les pages jaunes de votre annuaire le numéro du Centre de service Mabe le plus proche. Autrement, appelez-nous au 1.888.261.3055.



### Contactez-nous

---

Si vous n'êtes pas satisfait du service après-vente dont vous avez bénéficié :

**Premièrement**, communiquez avec les gens qui ont réparé votre appareil.

**Ensuite**, si vous n'êtes toujours pas satisfait envoyez tous les détails—numéro de téléphone compris—au  
Directeur, Relations avec les consommateurs, Mabe Canada Inc.  
Bureau 310, 1 Factory Lane  
Moncton, N.B. E1C 9M3



### Inscrivez votre appareil électroménager [www.electromenagersge.ca](http://www.electromenagersge.ca)

---

**Inscrivez votre appareil électroménager en direct, aussitôt que possible.** Cela améliorera nos communications et notre service après-vente. Vous pouvez également nous envoyer par la poste le formulaire d'inscription joint à votre documentation.

**Información de seguridad** ..... 96, 97

**Instrucciones de operación**

Cómo reemplazar  
las bombillas de luz ..... 117  
Congelador ..... 113  
Control para modelos de LCD ..... 98–105  
Control para modelos que no son  
de LCD ..... 106, 107  
Cuidado y limpieza  
del refrigerador ..... 115, 116  
El dispensador ..... 108  
El filtro de agua ..... 109  
Gavetas preservadoras  
y contenedores ..... 112  
Máquina de hielo automática ..... 114  
Opciones de almacenamiento  
de alimentos frescos ..... 110, 111

**Instrucciones de instalación**

Instalación de la tubería  
del agua ..... 128–130  
Instalación del refrigerador ..... 120–127  
Preparación para  
instalar el refrigerador ..... 118, 119

**Solucionar problemas** ..... 131–135  
Sonidos normales de la operación ..... 131

**Servicio al consumidor**

Garantía para consumidores  
en los Estados Unidos ..... 136  
Hoja de datos de funcionamiento ..... 137  
Servicio al consumidor ..... 139

**Anote aquí los números de modelo y de serie:**

No. \_\_\_\_\_

No. \_\_\_\_\_

Usted los verá en una etiqueta en el interior  
del compartimiento de refrigerador en  
la parte del medio en el lado izquierdo.

Seguridad
Operación
Instalación
Solucionar problemas
Servicio al consumidor

# INFORMACIONES IMPORTANTES DE SEGURIDAD. LEA PRIMERO TODAS LAS INSTRUCCIONES.

Seguridad

## ⚠ ¡ADVERTENCIA!

Use este aparato sólo para los fines que se describen en este Manual del propietario.



## PRECAUCIONES DE SEGURIDAD

Cuando use electrodomésticos, siga las precauciones básicas de seguridad, incluyendo las siguientes:

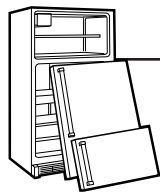
- Antes de usarse, este refrigerador deberá estar instalado y ubicado de acuerdo con las instrucciones de instalación.
  - No permita que los niños se suban, se paren o se cuelguen de las charolas del refrigerador. Podría dañarse el refrigerador y causarles serias lesiones.
  - No toque las superficies frías del congelador cuando tenga las manos húmedas o mojadas. La piel se podría adherir a las superficies extremadamente frías.
  - No guarde ni use gasolina u otros vapores o líquidos inflamables cerca de este o cualquier otro aparato.
  - Aleje los dedos fuera de las áreas donde se puede pinchar los dedos; los espacios entre las puertas y entre las puertas y los gabinetes son necesariamente estrechos. Cierre las puertas con cuidado en la presencia de los niños.
  - Si su refrigerador tiene un dispositivo automático para hacer hielo, evite el contacto con las partes móviles del mecanismo de expulsión, o con el elemento calefactor localizado en la parte inferior del dispositivo para hacer hielo. No ponga los dedos ni las manos en el mecanismo automático para hacer hielo mientras el refrigerador esté conectado.
  - Desconecte el refrigerador antes de limpiarlo o efectuar reparaciones.
- NOTA:** Recomendamos enfáticamente encargar cualquier servicio a un personal calificado.
- No vuelva a congelar los alimentos congelados una vez que se hayan descongelado.

Operación

Instalación

## ⚠ ¡PELIGRO! RIESGO DE QUE UN NIÑO PUEDA QUEDAR ATRAPADO

### DESHACERSE DEBIDAMENTE DE SU REFRIGERADOR



El atrapamiento y la sofocación de los niños no son un problema del pasado. Los refrigeradores abandonados son un peligro...aunque sea sólo por "pocos días." Si se deshace de su viejo refrigerador, por favor siga las instrucciones abajo para ayudarnos a prevenir algún accidente.

#### Antes de deshacerse de su viejo refrigerador o congelador:

- Quite las puertas.
- Deje los entrepaños en su sitio para que los niños no se suban.

#### Refrigerantes

Todos los aparatos de refrigeración contienen refrigerantes, los cuales se deben retirar antes de la eliminación del producto de acuerdo con la ley federal. Si va a desechar algún aparato antiguo de refrigeración, consulte con la compañía a cargo de desechar el aparato para saber qué hacer.

Solucionar problemas

Servicio al consumidor

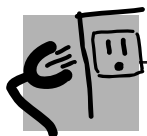
## USO DE CABLES DE EXTENSION



Debido a los accidentes potenciales que pudieran ocurrir bajo determinadas condiciones, se recomienda estrictamente no usar cables de extensión.

Sin embargo, si decidiera usarlos, es absolutamente necesario que sea del tipo UL trifilar para aparatos y cuente con una clavija con conexión a tierra y que el cable eléctrico sea de 15 amperios (mínimo) y 120 voltios.

## ⚠ ¡ADVERTENCIA!



### COMO CONECTAR LA ELECTRICIDAD

*Bajo ninguna circunstancia debe cortar o quitar la tercera punta (tierra) de la clavija. Para su seguridad personal, este aparato deberá conectarse debidamente a tierra.*

El cable eléctrico de este aparato está equipado con una clavija de tres puntas (tierra) que enchufa en un contacto estándar de pared de tres salidas (tierra) para reducir al mínimo la posibilidad de daños por un choque eléctrico con este aparato.

Haga que un electricista calificado verifique el enchufe de la pared y el circuito para asegurarse que la salida esté conectada debidamente a tierra.

Donde se disponga sólo de un contacto de pared con salida para dos puntas, es su responsabilidad personal y su obligación reemplazarlo por un contacto adecuado para tres puntas con conexión a tierra.

El refrigerador deberá conectarse siempre en su propio contacto eléctrico individual que tenga un voltaje que vaya de acuerdo con la tabla de clasificación.

Esto garantiza la mejor ejecución y evita la sobrecarga del circuito eléctrico de la casa y los daños a causa del sobrecalentamiento de los cables.

Nunca desconecte el refrigerador jalando el cable. Tome siempre firmemente la clavija y sáquela del contacto sin doblarla.

Repáre o reemplace inmediatamente todos los cables eléctricos de servicio que se hayan desgastado o dañado en alguna otra forma. No utilice cables que muestren roturas o daños por abrasión a lo largo de éste ni en la clavija o en alguno de sus extremos.

Al alejar su refrigerador de la pared, cuide que no pase sobre el cable o lo dañe.



*FAVOR DE LEER Y SEGUIR CUIDADOSAMENTE LAS PRECAUCIONES DE SEGURIDAD.*

**GUARDE ESTAS INSTRUCCIONES**

# Sobre el panel de control de 7" para modelos de LCD.

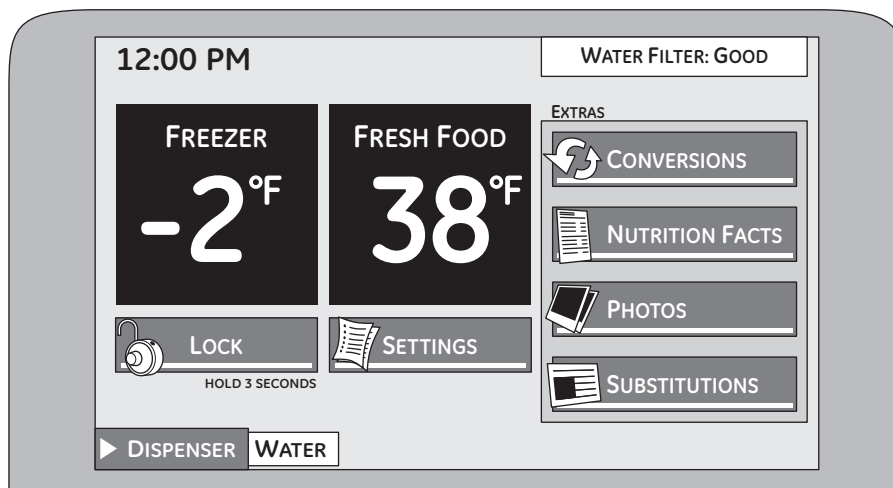
Seguridad

Operación

Instalación

Solucionar problemas

Servicio al consumidor



**NOTA:** El refrigerador se envía con una película de protección que cubre los controles de la temperatura. Si esta película no se retiró durante la instalación, hágalo ahora.

Los controles de temperatura vienen preconfigurados de fábrica a **38° F** tanto para el compartimento del refrigerador y a **-2° F** para el compartimento del congelador. Deje pasar 24 horas para que la temperatura se estabilice en los niveles preconfigurados.

Los controles de la temperatura pueden exhibir tanto la temperatura establecida (**SET**) como la temperatura real en el refrigerador y en el congelador. La temperatura real puede variar ligeramente de la temperatura fijada según su uso y el ambiente de operación.

Reconfigure la pantalla de LCD en cualquier momento introduciendo un gancho para papeles dentro del orificio pequeño ubicado al lado de la ranura de la tarjeta SD bajo el lado frontal de la abertura del dispensador.

## La pantalla HOME (inicio)

La pantalla **HOME** (inicio) es la pantalla predeterminada del refrigerador. Desde esta pantalla usted puede cambiar las temperaturas de los alimentos frescos (fresh food) y del congelador (freezer), utilizar el dispensador de hielo y agua, y acceder a otras funciones como las que se listan a continuación. Para volver a esta pantalla en cualquier momento, presione el botón **HOME** (inicio) ubicado en el lado inferior derecho de la pantalla.

**Botón de alimentos frescos:** Muestra tanto las temperaturas actuales como las establecidas del compartimento de alimentos frescos. Cuando TurboCool se encuentre activo, podrá verse en la pantalla.

**Barra de estado:** Muestra el estado del filtro de agua.

**Botón del congelador:** Muestra tanto las temperaturas actuales como las establecidas del compartimento congelador. Cuando TurboFreezer se encuentre activo, podrá verse en la pantalla.

**Herramienta de conversiones:** Acceda a la función de conversiones.

**Datos de nutrición:** Encuentre información nutricional básica sobre alimentos comunes, como frutas, vegetales, carnes y quesos.

**Fotos:** Cargue fotografías a su refrigerador. Ordene las fotos como protector de pantalla o como una presentación de diapositivas.

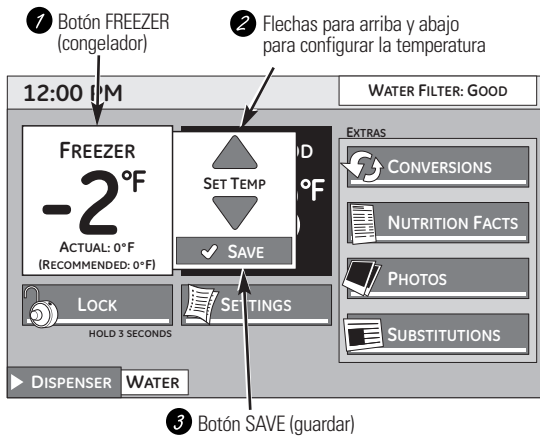
**Característica de sustitución:** Un catálogo de sustituciones para ingredientes comunes que no se encuentran fácilmente disponibles.

**Bloqueo de característica:** Sostenga durante 3 segundos para evitar el uso accidental del dispensador. El cerrojo cambiará de abierto a cerrado para indicar que se han bloqueado el dispensador y los controles.

**Pestaña del dispensador:** Seleccione agua, hielo triturado o hielo en cubitos. También acceda a la luz del dispensador.

**Menú de configuraciones:** Acceda a las funciones del refrigerador tales como TurboCool, Energy Saver (ahorro de energía) y Door Alarm (alarma de la puerta). Cambie el brillo de la pantalla y reemplace el filtro de agua.



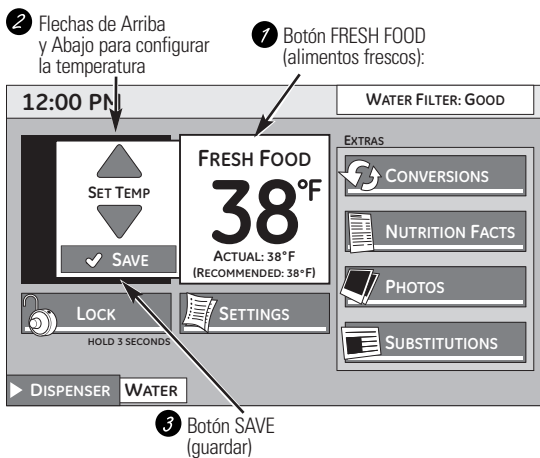


## Pantalla HOME (Inicio)

### TEMPERATURA DEL FREEZER (congelador):

Para cambiar la temperatura del compartimento del congelador, presione el botón **FREEZER** (congelador) y use las teclas de flecha de **ARRIBA** o **ABAJO** hasta que la temperatura deseada aparezca en la pantalla. Presione **SAVE** (guardar) para confirmar la selección. El control mostrará tanto la temperatura actual como la fijada hasta alcanzar la temperatura fijada.

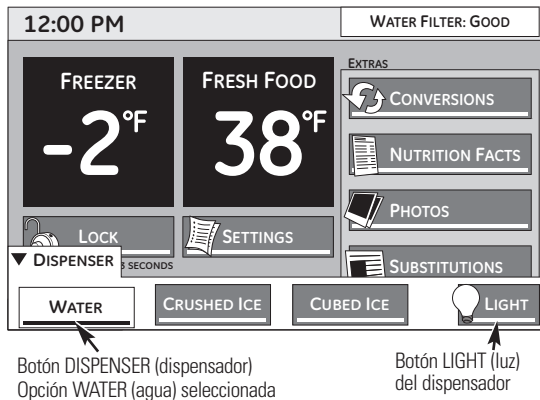
Cada vez que se ajustan los controles, permita que transcurran 24 horas para que el refrigerador alcance la temperatura fijada.



### TEMPERATURA DEL COMPARTIMENTO FRESH FOOD (alimentos frescos):

Para cambiar la temperatura del compartimento de alimentos frescos, presione el botón **FRESH FOOD** y use las teclas de flecha de **ARRIBA** o **ABAJO** hasta que la temperatura deseada aparezca en la pantalla. Presione **SAVE** (guardar) para confirmar la selección. El control mostrará tanto la temperatura actual como la fijada hasta alcanzar la temperatura fijada.

Cada vez que se ajustan los controles, permita que transcurran 24 horas para que el refrigerador alcance la temperatura fijada.



### DISPENSER (dispensador)

El refrigerador puede servir agua o hielo triturado o en cubitos a través del dispensador. Para efectuar una selección, presione el botón **DISPENSER** y elija **WATER** (agua), **CRUSHED ICE** (hielo triturado) o **CUBED ICE** (hielo en cubitos). Después de efectuar la selección, presione un vaso contra la paleta del dispensador.

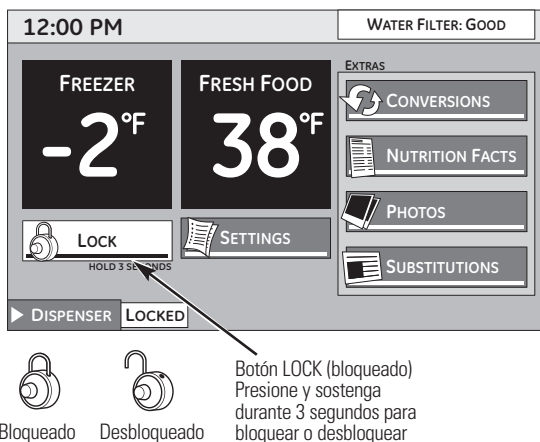
**NOTA:** El botón **DISPENSER** se encuentra disponible en casi todas las pantallas de funciones.

### LUZ del dispensador:

La configuración predeterminada de la luz del dispensador es **OFF** (apagado). Cuando se presiona la paleta del dispensador, la luz se enciende en forma automática (se apaga a los 5 segundos de liberada la paleta). Para encender la luz en forma manual, presione el botón **LIGHT**. La luz del dispensador continuará encendida hasta que se presione de nuevo el botón **LIGHT**.

### BLOQUEO:

Para evitar el uso accidental del control o dispensador, el control viene equipado con una característica de bloqueo. Cuando se halla bloqueado, las funciones del dispensador y del LCD no se encuentran disponibles. Presione y sostenga el botón **LOCK** (bloqueo) durante 3 segundos para bloquear o desbloquear el dispensador.





# Funciones de la pantalla.

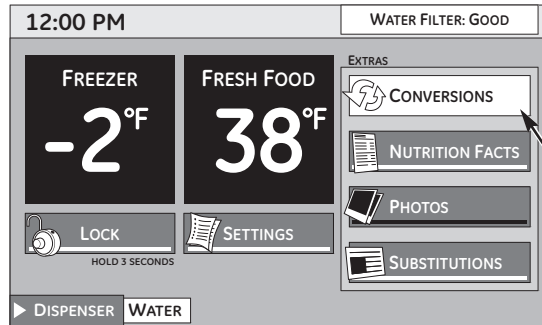
Seguridad

Operación

Instalación

Solucionar problemas

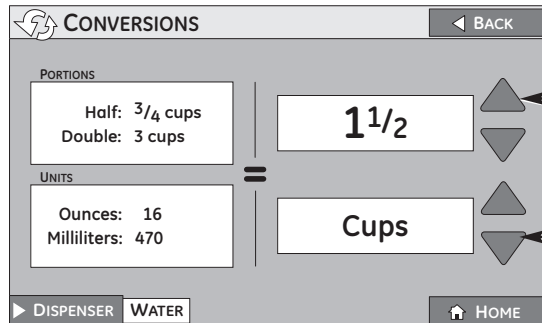
Servicio al consumidor



## CONVERSIONES

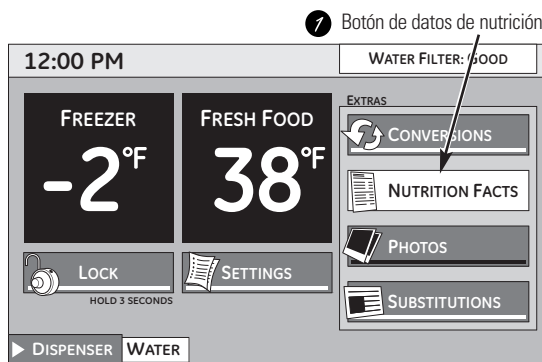
Presione el botón **CONVERSIONS** (conversiones) de la pantalla **HOME** (inicio) para convertir una unidad y/o un valor a otro. Utilice las teclas de flecha de **ARRIBA** y **ABAJO** para seleccionar la cantidad y/o las unidades necesitadas.

1 Botón de Conversiones



2 Elija la porción

3 Elija la unidad



1 Botón de datos de nutrición

## DATOS DE NUTRICIÓN

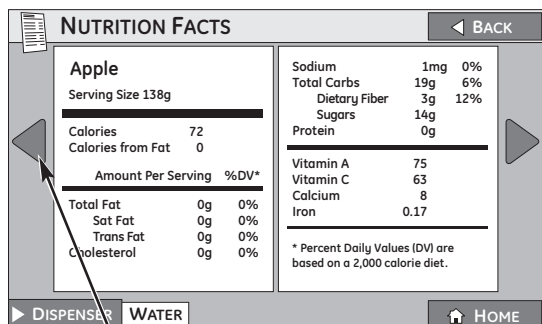
Presione el botón **NUTRITION FACTS** de la pantalla **HOME** (inicio) para ver la información nutricional. Pueden verse en la pantalla seis opciones junto a una lista de las letras del alfabeto. Seleccione uno de estos ingredientes o busque por página o letra para continuar. Las teclas **IZQUIERDA** y **DERECHA** de la pantalla le permiten desplazarse hacia la izquierda o derecha de la pantalla superior o inferior. Para volver a la pantalla **INICIO**, presione el botón **HOME**.



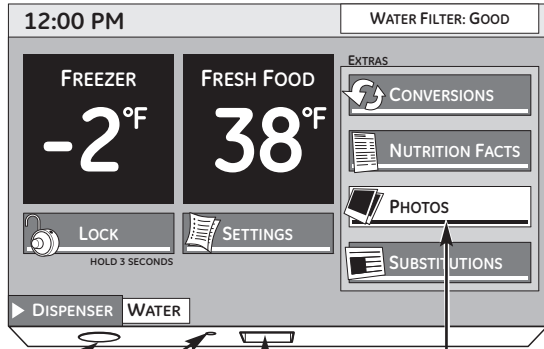
2 Elija un ingrediente o letra

Número de página

3 Busque por página o por letra

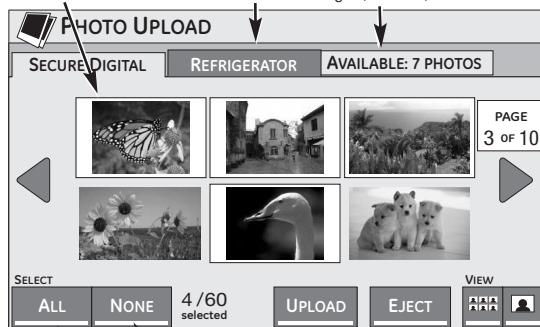


4 Hacia la derecha



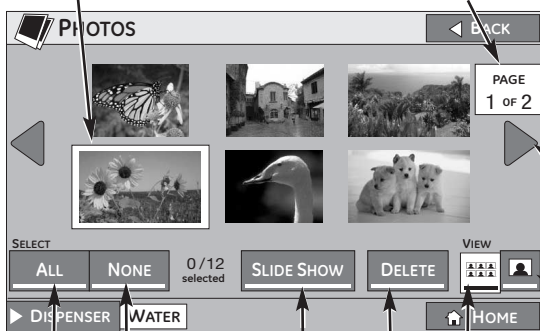
1 Reconfiguración  
2 Introduzca la tarjeta SD  
7 Botón de fotos

3 Seleccione las fotos  
Fotos almacenadas en la memoria interna  
Medidor de memoria: Cantidad total de fotos disponibles para cargar (máx. 30)



4 Botón ALL (todas) para seleccionar todas las fotos de la tarjeta SD  
5 Botón NONE (ninguna) para no seleccionar ninguna de las fotos de la tarjeta SD  
6 Botón UPLOAD (cargar)  
7 Botón EJECT (expulsión)

8 Foto seleccionada  
Cantidad de páginas disponibles



9 Botón ALL para seleccionar todas las fotos  
10 Botón NONE para cancelar la selección de todas las fotos  
11 Botón SLIDESHOW (presentación de diapositivas)  
12 Botón DELETE (borrar)  
13 Ver fotos como miniaturas



14 Botón DELETE (borrar)

## FOTOS

Utilice el botón **PHOTOS** (fotos) para cargar y mostrar sus fotos favoritas que pueden usarse como una presentación de diapositivas de 15 minutos o como protector de pantalla. El protector de pantalla se activa en la pantalla de LCD al cabo de 2 minutos de inactividad. Después de 15 minutos, se apagará la luz trasera. Si se selecciona la presentación de diapositivas en lugar del protector de pantalla, las fotos aparecerán en una presentación de 15 minutos antes de que la luz trasera se apague. Seleccione el botón **PHOTOS** de la pantalla **HOME** para ver fotos predeterminadas y para comenzar el proceso de cargar fotos.

### CÓMO CARGAR FOTOS

Para cargar fotos, introduzca la tarjeta SD dentro de la ranura ubicada debajo de la pantalla. Hasta una cantidad de 100 fotos (6 por página) de la tarjeta SD pueden verse como miniaturas en orden cronológico. Pueden cargarse hasta 30 fotos. Las fotos pueden seleccionarse de a una sobre la pantalla o utilizando el botón **ALL** (todas) si se desea cargar todas las fotos (30 máx.) de la tarjeta SD. Para cancelar la selección de todas las fotos, oprima el botón **NONE** (ninguna). Cuando haya seleccionado las fotos, presione el botón **UPLOAD** (cargar). Cargar 30 fotos tardará entre 3 y 16 minutos. El botón **CANCEL** (cancelar) puede presionarse en cualquier momento para detener el proceso de carga. Cuando se haya terminado la carga, podrá verse **UPLOAD COMPLETE** (carga completa). Seleccione el botón **EJECT** para expulsar la tarjeta SD y espere la indicación para quitar la tarjeta. Si la tarjeta se quita sin presionar el botón **EJECT**, existe la posibilidad de dañar los archivos de la tarjeta SD. Cuando se retira la tarjeta SD, vuelve a verse la pantalla de **PHOTOS**.

**NOTA:** El dispensador no funciona mientras las fotos se están cargando.

### CÓMO SELECCIONAR FOTOS

La pantalla **PHOTOS** mostrará 6 fotos en miniatura o puede elegirse la opción de pantalla completa. Desplácese entre pantallas utilizando las teclas de flecha **IZQUIERDA** y **DERECHA** ubicadas sobre los lados de la pantalla. En la pantalla de miniaturas, seleccione las fotos de a una tocando dicha foto, seleccione todas las fotos presionando el botón **ALL** o cancele la selección oprimiendo el botón **NONE**.

### PRESENTACIÓN DE DIAPOSITIVAS

Seleccione **SLIDE SHOW** (presentación de diapositivas) de la pantalla **PHOTOS** para ver las fotos cargadas en una presentación de diapositivas desde la más nueva a la más antigua. (Esto **NO** configura la presentación de diapositivas como el protector de pantalla. Eso se realiza en la sección **SYSTEMS** (sistemas).

### CÓMO BORRAR FOTOS

Cuando tenga fotos seleccionadas que desee borrar, presione el botón **DELETE** (borrar) desde la pantalla de miniaturas o la pantalla completa. El botón **ALL** (todas) puede utilizarse con la función **DELETE**. Usted tendrá una oportunidad de **CANCELAR** la acción antes de que las fotos se borren.

Tecla de flecha hacia la derecha

15 Ver fotos en pantalla completa

16 Cantidad de fotos disponibles

# Funciones de la pantalla.

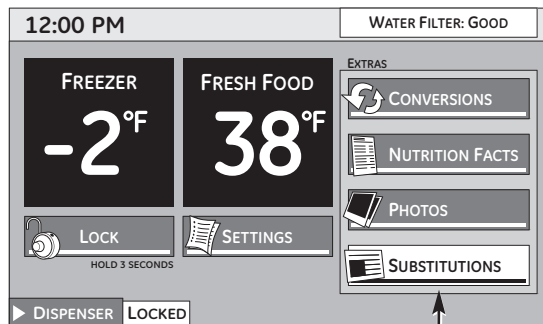
Seguridad

Operación

Instalación

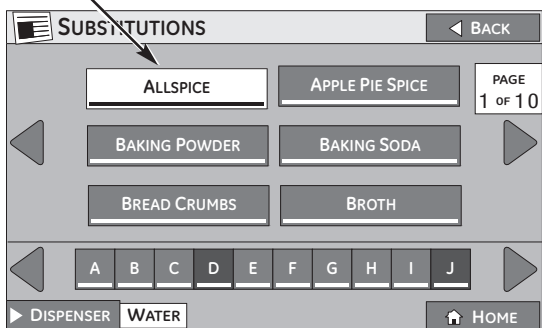
Solucionar problemas

Servicio al consumidor



2 Seleccione un ingrediente

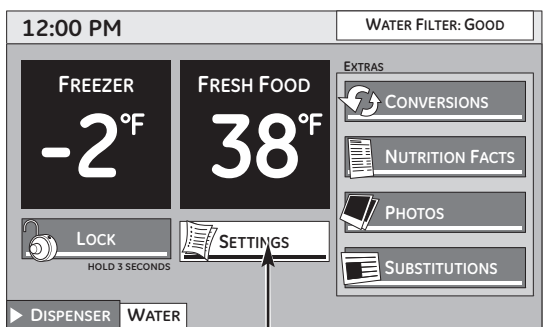
7 Botón SUBSTITUTIONS (sustituciones)



## SUSTITUCIONES

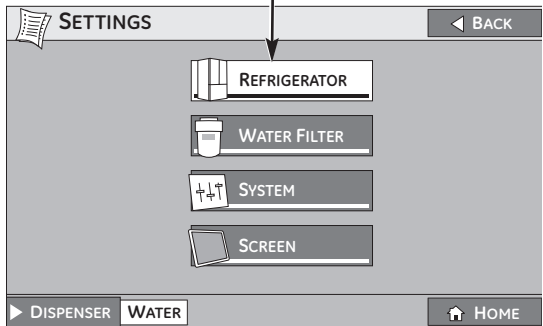
Seleccione el botón **SUBSTITUTIONS** de la pantalla **HOME** (inicio). La pantalla que aparece ofrece consejos para utilizar sustituciones en recetas. Desplácese hasta la pantalla siguiente donde pueden verse 6 ingredientes por página en la sección superior. Seleccione un ingrediente o utilice las teclas de flecha **IZQUIERDA** o **DERECHA** para desplazarse de página a página. La sección inferior es para navegar alfabéticamente. Seleccione una letra o utilice las teclas de flecha **IZQUIERDA** o **DERECHA** para desplazarse de página a página.

Una vez que se ha seleccionado un ingrediente, aparece una lista de ingredientes y proporciones que pueden utilizarse como sustituciones.



7 Botón SETTINGS (configuraciones)

2 Botón REFRIGERATOR (refrigerador)



## CONFIGURACIONES

La función **SETTINGS** (configuraciones) le dará acceso a:

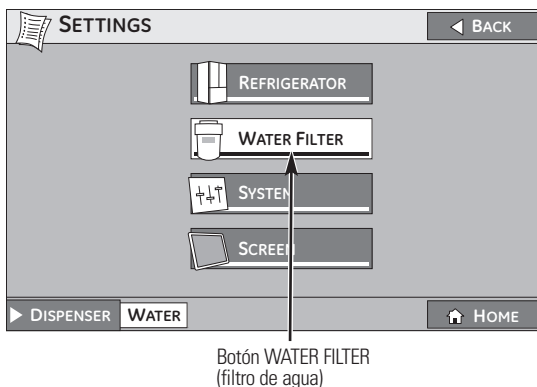
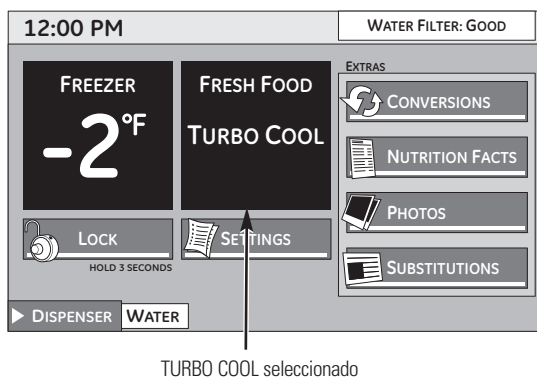
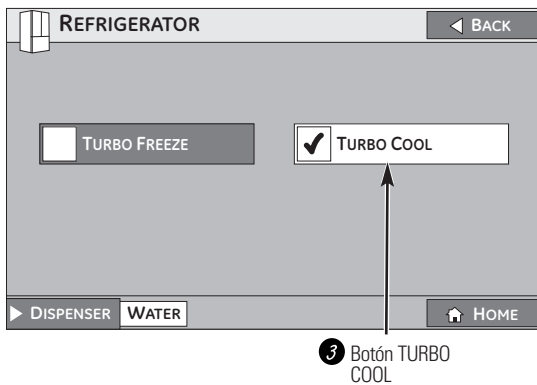
- Configuraciones **TurboCool™**
- Configuraciones **TurboFreeze™**
- Instrucciones para cambiar el filtro de agua
- Acceso a sistemas como la alarma de la puerta
- Visualización métrica/inglesa

## REFRIGERADOR

Presione el botón **REFRIGERATOR** para acceder a la configuración **TurboCool** para el compartimento de alimentos frescos y la configuración **TurboFreeze** para el congelador. **TurboCool** enfría rápidamente el compartimento de alimentos frescos y **TurboFreeze** enfría rápidamente el compartimento del congelador para obtener alimentos frescos de una manera más veloz. Utilice estas funciones cuando agregue grandes cantidades de alimentos en cualquier compartimento, cuando guarde alimentos que han estado a temperatura ambiente o cuando guarde sobras tibias. También puede utilizarse si el refrigerador no ha recibido energía durante un período prolongado. El compresor y el ventilador de alimentos frescos o del congelador funcionarán hasta 3 1/2 horas (alimentos frescos) o 2 1/2 (congelador) y luego volverán al valor de configuración original.

**CONFIGURACIONES (cont.)**

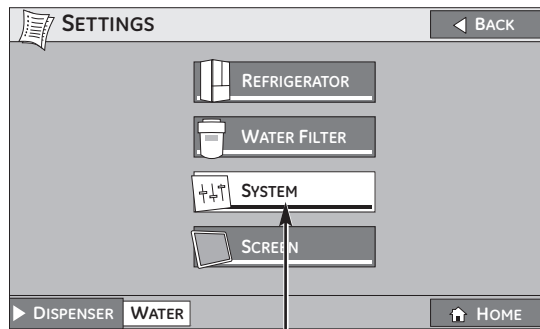
Cuando presione **TurboCool** o **TurboFreeze**, aparece una marca en la caja ubicada al lado del botón indicando que se encuentra encendido. También aparecerá listado en la pantalla **HOME** (inicio).

**FILTRO DE AGUA**

Seleccione **WATER FILTER** (filtro de agua) de la pantalla **SETTINGS** (configuraciones). La pantalla **WATER FILTER** señala si el filtro se encuentra bien (**GOOD**), si hay que solicitar otro filtro (**ORDER**), o si ya es tiempo de cambiar el filtro (**REPLACE**). Siga las instrucciones de la pantalla como puede verse en el ejemplo para solicitar o cambiar el filtro de agua. El estado del filtro de agua también puede verse en la pantalla **HOME** (inicio) ubicado en el extremo superior derecho cuando se abre la puerta.

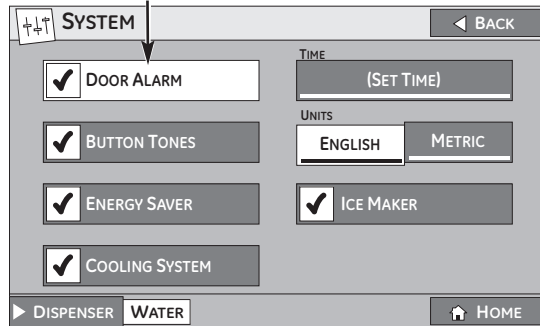


# Funciones de la pantalla.

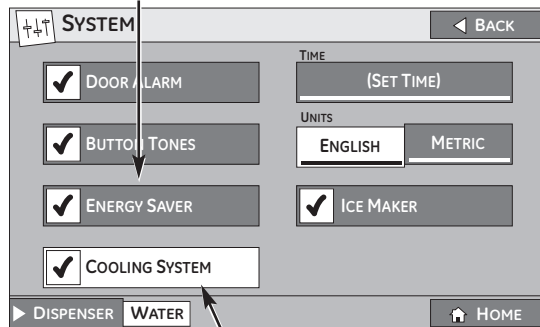


Botón SYSTEM (sistema)

Botón DOOR ALARM (alarma de la puerta)

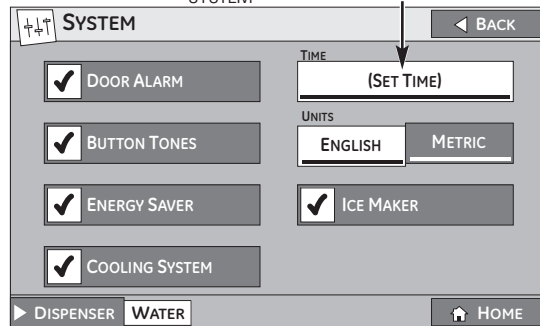


Botón ENERGY SAVER (ahorro de energía)

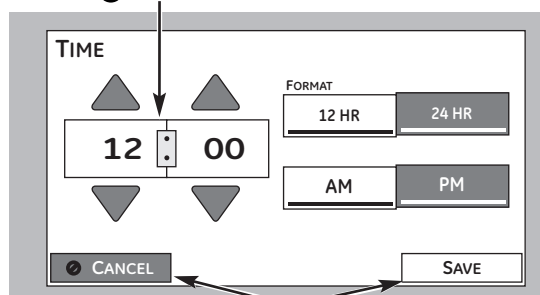


Botón COOLING SYSTEM

Botón SET TIME (configurar la hora)



Configure la hora



SAVE (guardar) o CANCEL (cancelar)

## CONFIGURACIONES (cont.)

### SYSTEM (sistema)

Seleccione el botón **SYSTEM** (sistema) para tener acceso a:

- DOOR ALARM (alarma de la puerta)
- BUTTON TONES (tonos de los botones)
- ENERGY SAVER (ahorro de energía)
- COOLING SYSTEM (sistema de enfriamiento)
- TIME (hora)
- UNITS (ENGLISH or METRIC) (unidades) (inglesas o métricas)

### DOOR ALARM (alarma de la puerta)

Podrá verse una marca al lado del botón si la **ALARMA DE LA PUERTA** se encuentra encendida (**ON**) (predeterminada). Para apagarla (**OFF**), seleccione el botón **DOOR ALARM** (la marca desaparecerá). La **ALARMA DE LA PUERTA** sonará si la puerta del refrigerador queda abierta durante más de 3 minutos. La pantalla de la alarma de **PUERTA ABIERTA** podrá verse y un pito sonará a intervalos de 1 minuto hasta que se cierre la puerta o se seleccione el botón **SILENCE** (silencio).

### BUTTON TONES (tonos de los botones)

Presione el botón **BUTTON TONES** para controlar el sonido de los botones de **LCD**. Cuando el sonido del botón se encuentra en encendido (**ON**) (predeterminado), el pito emite un tono cada vez que el botón se presiona según especificaciones de audio. Para apagarlo, seleccione el botón **BUTTON TONES** (la marca desaparecerá).

### ENERGY SAVER (ahorro de energía)

Este refrigerador se envía con la característica de **AHORRO DE ENERGÍA** activada (marcada). Con el tiempo, puede formarse humedad en la superficie frontal del gabinete del refrigerador y provocar herrumbre. Si aparece humedad en la superficie frontal del gabinete del refrigerador, desactive (**OFF**) el **AHORRO DE ENERGÍA** presionando el botón (la marca desaparecerá).

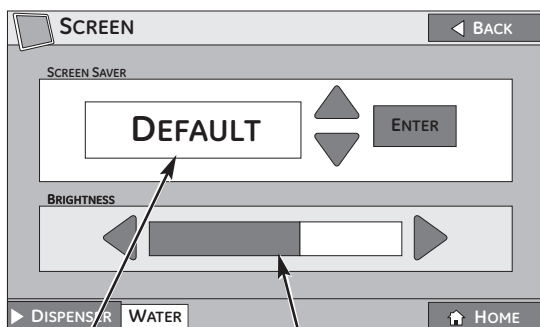
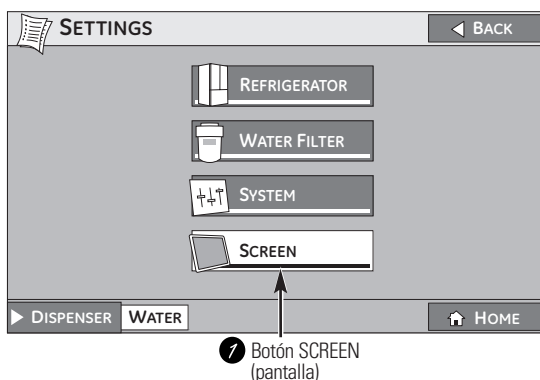
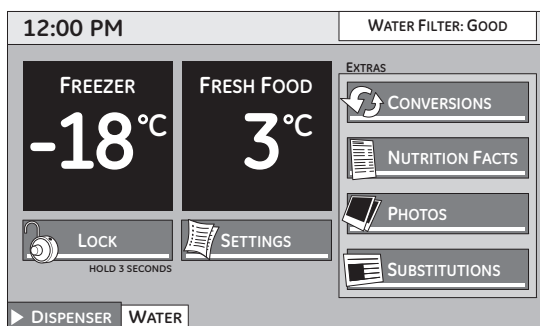
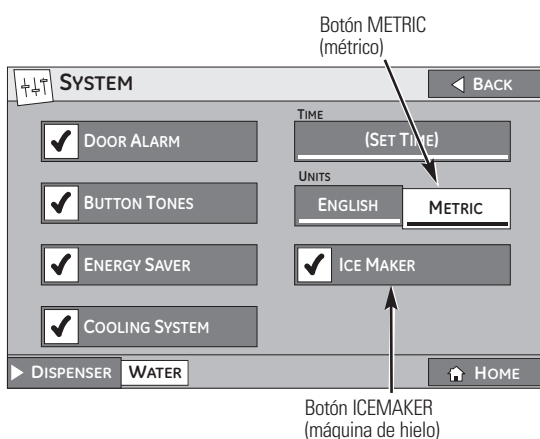
### COOLING SYSTEM (sistema de enfriamiento)

Esta función apaga el sistema de enfriamiento de los compartimentos de alimentos frescos y del congelador sin cortar el suministro de electricidad hacia el refrigerador. En la pantalla **SYSTEM**, seleccione el botón **COOLING SYSTEM** (sistema de enfriamiento). Para encender (**ON**) o apagar (**OFF**) el **SISTEMA DE ENFRIAMIENTO**, seleccione **COOLING SYSTEM** de la pantalla **SYSTEM**.

### SET TIME (configurar la hora)

Para configurar el reloj, seleccione el botón **SET TIME** (configurar la hora) de la pantalla **SYSTEM**. Para cambiar las horas y los minutos, utilice las teclas de flecha **ARRIBA** y **ABAJO** ubicadas sobre y debajo de los números. Para cambiar de **AM** a **PM**, seleccione la tecla correspondiente. Presione **SAVE** (guardar) o **CANCEL** (cancelar). Usted puede cambiar la hora a un reloj de 24 horas seleccionando el botón **24 HR**. Cambie las horas y los minutos usando las teclas de flecha **ARRIBA** y **ABAJO** ubicadas sobre y debajo de los números. Presione **SAVE** (guardar) o **CANCEL** (cancelar).





3 Configure el protector de pantalla y/o fondo

2 Configure el brillo de la pantalla

## CONFIGURACIONES (cont.)

### UNITS (unidades)

Para cambiar las lecturas de temperatura de unidades inglesas a unidades métricas, presione el botón **METRIC**. Las unidades incluidas en la pantalla **HOME** (inicio) podrán leerse en Celsius en lugar de Fahrenheit.

### ICEMAKER (máquina de hielo)

La máquina de hielo produce siete cubitos por ciclo –aproximadamente 100-130 cubitos en un período de 24 horas, dependiendo de la temperatura del compartimento del congelador, de la temperatura de la habitación, la cantidad de veces que se abrió la puerta y otras condiciones de uso. Si el refrigerador se utiliza antes de que se efectúe la conexión de agua hacia la máquina de hielo, presione y libere el botón **ICEMAKER** (máquina de hielo) de la pantalla **SYSTEM** para desactivar la máquina de hielo. Cuando el refrigerador se haya conectado al suministro de agua, presione y libere el botón **ICEMAKER** (máquina de hielo) de la pantalla **SYSTEM** para activar la máquina de hielo. Un refrigerador recién instalado puede tardar de 12 a 24 horas en comenzar a fabricar cubitos de hielo y la posición predeterminada de la **MÁQUINA DE HIELO** es en encendido (**ON**) (marcado).

Se oír un zumbido cada vez que la máquina de hielo se llena con agua. Descarte las primeras tandas de hielo para permitir que la línea de agua se limpie bien. Asegúrese de que nada interfiera con el movimiento del brazo indicador. Cuando el contenedor se llene hasta el nivel del brazo indicador, la máquina de hielo dejará de producir hielo. Es normal que una cierta cantidad de cubitos queden adheridos entre sí. Si el hielo no se usa frecuentemente, los cubitos de hielo antiguos quedarán turbios, tendrán sabor feo y se encogerán.

**NOTA:** En hogares con presión de agua inferior al promedio, es posible que se oiga el ciclo de máquina de hielo varias veces al fabricar una tanda de hielo.

**NOTA:** Apague (**OFF**) la máquina de hielo si el suministro de agua está cortado.

### SCREEN (pantalla)

Seleccione el botón **SCREEN** (pantalla) de la pantalla **SETTINGS** (configuraciones) para ajustar **BRIGHTNESS** (brillo) de la pantalla y para elegir **SCREEN SAVER** (protector de pantalla).

Para **BRIGHTNESS**, utilice las teclas de flecha **IZQUIERDA** y **DERECHA** para subir o bajar el brillo de la pantalla.

Para **SCREEN SAVER**, utilice las teclas de flecha de **ARRIBA** y **ABAJO** para elegir **DEFAULT** (predeterminado), **SLIDE SHOW** (presentación de diapositivas), **BACKGROUND** (fondo) u **OFF** (apagado).

**DEFAULT** (predeterminado) ofrece una presentación de diapositivas de fotos precargadas de fábrica a intervalos de 10 segundos. Estas fotos no pueden visualizarse en la pantalla **PHOTOS** y se conservarán aún cuando se borren todas las fotos.

**SLIDE SHOW** (presentación de diapositivas) toma la foto seleccionada más recientemente entre las cargadas por el usuario y muestra dicha foto en primer término, luego las restantes en forma aleatoria a intervalos de 10 segundos durante 15 minutos.

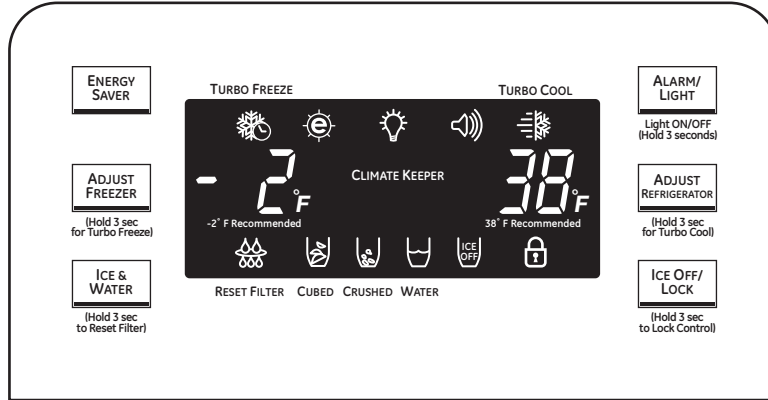
**BACKGROUND** (fondo) toma la foto seleccionada más recientemente entre las cargadas por el usuario y la muestra como una imagen estática. Después de mostrar esta pantalla durante 15 minutos sin actividad, la luz trasera se apagará.

**OFF (apagado)** no permite el funcionamiento de **BACKGROUND**, **SCREEN SAVER** o **SLIDE SHOW**.

# Los controles con niveles de temperaturas para modelos que no son de LCD.

Seguridad

Operación



**NOTA:** El refrigerador se envía con una película de protección que cubre los controles de la temperatura. Si esta película no se retiró durante la instalación, hágalo ahora.

Los controles de temperatura vienen preconfigurados de fábrica a **38° F** tanto para el compartimento del refrigerador y a **-2° F** para el compartimento del congelador. Deje pasar 24 horas para que la temperatura se estabilice en los niveles preconfigurados.

Los controles de la temperatura pueden exhibir tanto la temperatura establecida (**SET**) como la temperatura real en el refrigerador y en el congelador. La temperatura real puede variar ligeramente de la temperatura fijada según su uso y el ambiente de operación.

Instalación

Solucionar problemas

Servicio al consumidor

## Cómo cambiar la temperatura

Para cambiar la temperatura, presione y libere el botón **ADJUST FREEZER** (ajuste del congelador) o **ADJUST REFRIGERATOR** (ajuste del refrigerador). La pantalla mostrará la temperatura real. Para cambiar la temperatura, pulse el botón **ADJUST FREEZER** (ajuste del congelador) o **ADJUST REFRIGERATOR** (ajuste del refrigerador) hasta que aparezca la temperatura deseada.

Una vez la temperatura deseada haya sido ajustada, la pantalla de la temperatura regresará a las temperaturas reales del refrigerador y del congelador después de 10 segundos. Puede que sean necesarios varios ajustes.

Cada vez que usted ajuste los controles, permita que transcurran 24 horas para que el refrigerador alcance la temperatura que usted ha ajustado.

**ADJUST REFRIGERATOR**  
(Hold 3 sec for Turbo Cool)

**ADJUST FREEZER**  
(Hold 3 sec for Turbo Freeze)

**ADJUST  
REFRIGERATOR**

(Hold 3 sec  
for Turbo Cool)

## Cómo funciona

**TurboCool** enfría rápidamente el compartimiento del refrigerador para enfriar los alimentos más rápidamente. Use **TurboCool** cuando agregue grandes cantidades de alimentos al compartimiento del refrigerador, guardando alimentos después de que han estado expuestos a temperatura ambiental o cuando se disponga a guardar comida sobrante. También puede ser usado si el refrigerador ha estado sin suministro eléctrico por un período extenso.

El compresor y el ventilador de alimentos frescos funcionarán inmediatamente hasta 3½ horas y luego volverán al valor de configuración original.

## Cómo funciona


**TurboFreeze** enfría rápidamente el compartimiento del congelador para enfriar los alimentos más rápidamente. Use **TurboFreeze** cuando agregue grandes cantidades de alimentos al compartimiento del congelador, guardando alimentos después de que han estado expuestos a temperatura ambiental o cuando se disponga a guardar comida sobrante. También puede ser usado si el refrigerador ha estado sin suministro eléctrico por un período extenso.

El compresor y el ventilador del congelador funcionarán inmediatamente y seguirán funcionando durante dos horas y media.

**ADJUST  
FREEZER**

(Hold 3 sec  
for Turbo Freeze)

## Cómo usar


Presione y sostenga el botón **ADJUST REFRIGERATOR** (ajuste de refrigerador) durante 3 segundos hasta escuchar el sonido y aparezca .

Después de que **TurboCool** sea completado, el compartimiento del refrigerador regresará al ajuste original.

### NOTAS:

- La temperatura del refrigerador no puede cambiarse durante **TurboCool**.
- La temperatura del congelador no es afectada durante **TurboCool**.

## Cómo usar

Presione y sostenga el botón **ADJUST FREEZER** (ajuste de congelador) durante 3 segundos hasta escuchar el sonido y aparezca .

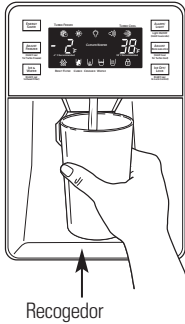
Después de que **TurboFreeze** sea completado, el compartimiento del congelador regresará al ajuste original.

### NOTAS:

- La temperatura del congelador no puede cambiarse durante **TurboFreeze**.
- La temperatura del refrigerador no es afectada durante **TurboFreeze**.
- Cuando abra la puerta del congelador durante **TurboFreeze**, los ventiladores continuarán funcionando si han hecho el ciclo de encendido.



## El dispensador.



Recogedor



### Para usar el dispensador

Seleccione **CUBED** (cubitos) , **CRUSHED** (triturado) o **WATER** (agua) presionando el botón **ICE & WATER** (hielo y agua).

Presione el vaso suavemente contra la parte superior del dispensador.

El estante de derrames no es auto-vaciante. Para reducir las manchas de aguas, el estante debe limpiarse regularmente.

*Si no se dispensa agua cuando el refrigerador recién se instala, puede haber aire en el sistema de línea de agua. Presione el brazo del dispensador por lo menos durante dos minutos para quitar el aire atrapado de la línea de agua y para llenar el sistema de agua. Para purgar las impurezas de la línea de agua, elimine los primeros seis vasos llenos de agua.*

### **⚠ PRECAUCIÓN:**

*Nunca coloque los dedos o cualquier otro objeto dentro de la abertura de descarga de la trituradora de hielo.*



(Hold 3 sec to Lock Control)

### Para trabar y destrabar el dispensador

Para trabar, presione y sostenga el botón **ICE OFF/LOCK** (apagado hielo/trabado) durante

3 segundos. Repita este paso para destrabar el dispensador.

### Información importante sobre su dispensador

- No agregue hielo de cubeteras o de bolsas en el cajón de almacenamiento. Puede que no se triture o se dispense bien.
- Evite sobrellenar el vaso con hielo y el uso de vasos angostos. El hielo trabado puede obstruir la tolva o hacer que la puerta de la tolva se congele y cierre. Si hay hielo bloqueando la tolva, atraviéselo con una cuchara de madera.
- Las bebidas y los alimentos no deben enfriarse rápidamente en el cajón de almacenamiento de hielo. Las latas, botellas o paquetes de alimentos del cajón de almacenamiento pueden hacer que la máquina de hielo o la barrena se traben.

- Para evitar que el hielo caiga fuera de los vasos, coloque el vaso cerca pero sin tocar la abertura del dispensador.
- Puede dispensarse algo de hielo triturado aunque haya seleccionado **CUBED ICE** (hielo en cubitos). Esto sucede ocasionalmente cuando algunos cubitos se dirigen accidentalmente a la trituradora.
- Después de dispensar hielo triturado, puede gotear algo de agua desde la tolva.
- A veces se forma una pequeña cantidad de nieve en la puerta en la tolva de hielo. Esta condición es normal generalmente sucede cuando ha dispensado hielo triturado repetidamente. La nieve finalmente se evaporará.



Light ON/OFF  
(Hold 3 seconds)

### Sobre la alarma de la puerta

La alarma de la puerta comenzará a sonar si cualquier de las puertas queda abierta por más de 3 minutos. Una vez que se cierra la puerta, el sonido para.

### Sobre la luz del dispensador

Presione y sostenga el botón **ALARM/LIGHT** (alarma/luz) durante 3 segundos para **encender** la luz del dispensador. Para **apagarla**, presione y sostenga el botón de nuevo durante 3 segundos.

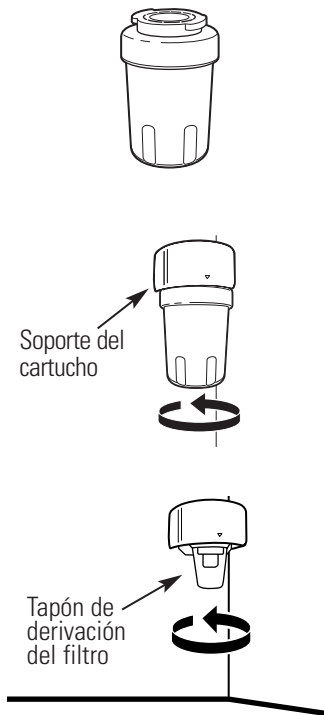


### Sobre Energy Saver (Ahorro de Energía)

Este producto está equipado con una característica de ahorro de energía. El refrigerador se empaca con la característica de ahorro de energía encendida.

Con el tiempo, puede formarse humedad en la superficie frontal del gabinete

del refrigerador y provocar herrumbre. Si aparece humedad en la superficie frontal del gabinete del refrigerador, apague la característica de ahorro de energía presionando y liberando la almohadilla **ENERGY SAVER** en el panel de control.



## Cartucho del filtro

El cartucho del filtro de agua está ubicado en la esquina superior derecha trasera del compartimento del refrigerador.

## Reemplazar el filtro

El cartucho del filtro debe cambiarse cuando se lo indica en el panel de control. Siga las instrucciones de la pantalla incluidas en WATER FILTER (filtro de agua) en la sección *Sobre el panel de control de LCD de 7"* para modelos de LCD.

## Instalar el cartucho del filtro

- 1 Si está reemplazando el cartucho, primero retire el anterior girándolo lentamente en sentido contrario de las agujas del reloj. Puede chorrear una pequeña cantidad de agua.

## ⚠ PRECAUCIÓN:

*Si se ha quedado aire atrapado en el sistema, el cartucho del filtro podría ser expulsado conforme es removido. Use precaución cuando lo remueva.*

- 2 Retire el papel de aluminio protector del extremo del cartucho.
- 3 Alinee la flecha del cartucho y el soporte del cartucho, coloque la parte superior del nuevo cartucho hacia arriba dentro del soporte. No lo empuje dentro del soporte. Lentamente gire el cartucho en sentido de las agujas del reloj hasta que se detenga. Mientras gira el cartucho, se colocará automáticamente en su posición. El cartucho girará alrededor de 1/4 de giro.

**No lo apriete demasiado.**

- 4 Pase agua por el dispensador por 3 minutos (aproximadamente 1½ galones) para despejar el sistema y para evitar chisporroteos. Ver la sección *Cómo usar el dispensador*.

**NOTA:** Un cartucho del filtro recién instalado podría causar que el agua chisporrotee desde el dispensador.

## Tapón de derivación del filtro

Se debe usar el tapón de derivación del filtro cuando un cartucho de filtro de reemplazamiento no se puede encontrar. El dispensador y el dispositivo para hacer hielo no pueden funcionar sin el filtro o sin el tapón de derivación del filtro.

## Filtros de recambio:

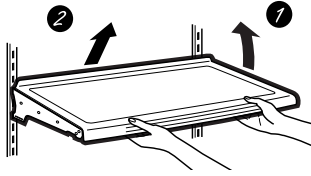
**Para pedir cartuchos adicionales en los Estados Unidos, visite nuestro sitio Web, [ge.com](http://ge.com), o llame a GE para partes y accesorios al 800.626.2002.**

Modelo MWF

## Sobre las opciones de almacenamiento de alimentos frescos.

### Reorganización de los estantes

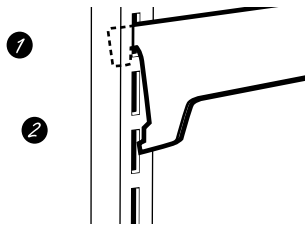
Los estantes en el compartimiento del refrigerador son ajustables.



#### Para retirar:

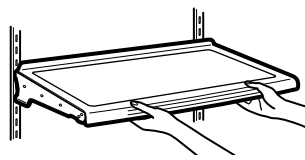
- 1 Quite todos los elementos del estante.
- 2 Incline el estante en la parte del frente.
- 3 Levante el estante hacia arriba en la parte de atrás y saque el estante.

#### Para reemplazar:



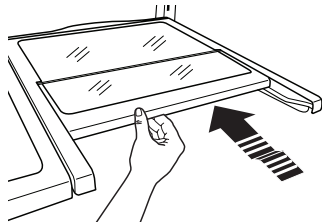
- 1 Mientras inclina el estante hacia arriba, inserte el gancho superior en la parte posterior del estante en la ranura de la corredera.
- 2 Baje el frente del estante hasta que la parte inferior del estante se ajuste en su lugar.

### Estantes a prueba de salpicaduras



Los estantes a prueba de salpicaduras tienen bordes especiales para evitar que las salpicaduras se rieguen a los estantes inferiores.

### Estante para espacio rápido

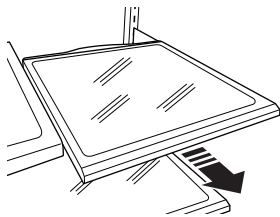


Este estante se divide en dos y se desliza debajo de sí mismo para almacenamiento de elementos altos sobre el estante inferior.

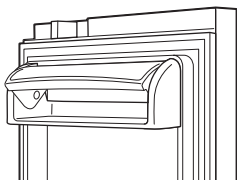
Este estante puede quitarse y volverse a colocar o colocarse en otro sitio (al igual que los estantes a prueba de salpicaduras).

**NOTA:** La ubicación del estante para espacio rápido no es ajustable.

### Estantes a prueba de salpicaduras deslizables



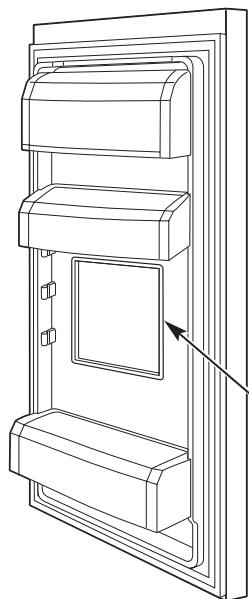
Estos estantes pueden deslizarse hacia afuera para ofrecer un fácil acceso a elementos ubicados cerca de la parte trasera del refrigerador y para facilitar la limpieza.



### Gaveta para lácteos no ajustable

**Para retirar:** Levante la gaveta de lácteos hacia arriba, luego tire hacia afuera.

**Para reemplazar:** Enganche la gaveta en los soportes moldeados de la puerta y presione hacia abajo. La gaveta se trabará en su lugar.



### Compartimientos ajustables en la puerta

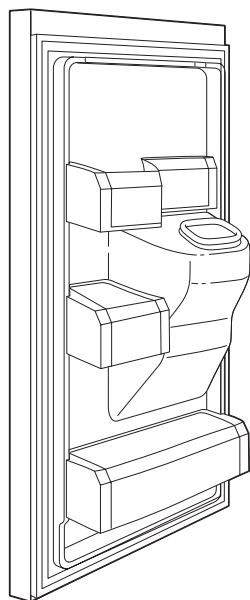
Los compartimientos ajustables pueden llevarse fácilmente del refrigerador al área de trabajo.

**Para retirar:** Levante el estante recto y luego hágalo.

**Para reemplazar o cambiar de lugar:**

Deslice el compartimiento justo encima de los soportes de la puerta, y presione hacia abajo. El compartimiento se trabará en su lugar.

Puerta del centro de refrescos (en algunos modelos)

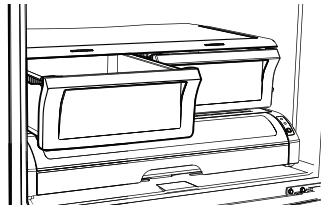


### Compartimientos no ajustables en la puerta

**Para retirar:** Levante el compartimiento recto y luego hágalo.

**Para reemplazar:** Inserte el compartimiento en los soportes moldeados en la puerta y empuje hacia abajo. Éste se ajustará en su lugar.

## Sobre las gavetas preservadoras y contenedores.



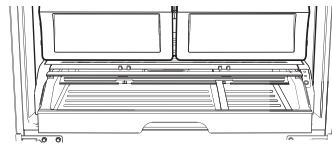
Fruit • • • • Veg



### Gaveta preservadora de frutas y vegetales

Conserve las frutas y vegetales organizados en compartimentos separados para un fácil acceso.

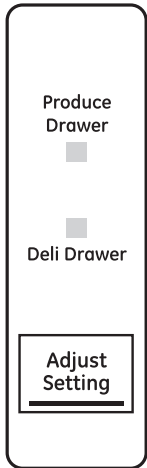
El exceso de agua que pueda acumularse al fondo de las gavetas debe retirarse y se deben limpiar las gavetas.



### Cajón ajustable para Deli/Verduras y frutas

El cajón ajustable para Deli/Verduras y frutas es un cajón de ancho completo con control de temperatura ajustable. Este cajón puede utilizarse para una amplia variedad de productos.

Hay un control de temperatura que puede ajustar la cantidad de aire frío que ingresa al cajón.



### Control

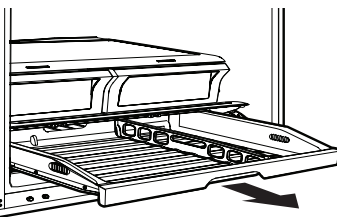
Cuando se selecciona **Produce Drawer** (cajón de verduras y frutas), la temperatura del cajón puede mantenerse alrededor de los 38° F (3° C). Esta característica también ayuda a mantener los alimentos frescos durante un período prolongado.

Cuando se selecciona **Deli Drawer** (cajón para Deli), la temperatura del cajón puede mantenerse alrededor de los 34° F (1° C). Esta característica también ayuda a mantener carnes y pescados frescos durante un período más prolongado.

**NOTA:** Las frutas y vegetales pueden dañarse con la configuración **Deli Drawer** (cajón para Deli). No guarde lechuga u otro vegetal de hojas en este cajón.

**⚠ PRECAUCIÓN:** No guarde botellas de vidrio en este cajón. Si se congelan, pueden romperse y provocar lesiones personales.

El control está ubicado en el lado derecho del cajón.



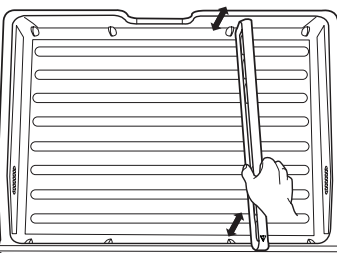
### Cómo quitar y volver a colocar el cajón ajustable de Deli/Verduras y frutas

#### Para retirar:

- 1 Tire del cajón hacia afuera hasta que se detenga.
- 2 Levante el frente del cajón hacia arriba y luego afuera.

#### Para reemplazar:

- 1 Levante la tapa hacia arriba.
- 2 Enganche los rodillos dentro de los rieles laterales.
- 3 Presione el cajón hacia adentro (hasta que esté en su lugar).



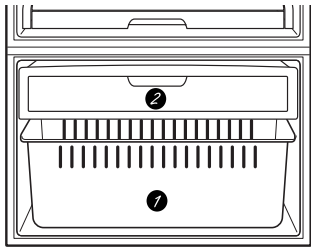
### Cómo quitar y volver a colocar la división de cajón

#### Para retirar:

- 1 Tire del cajón hacia afuera hasta que se detenga.
- 2 Levante el lado frontal de la división para desengancharla de la pared trasera del cajón.

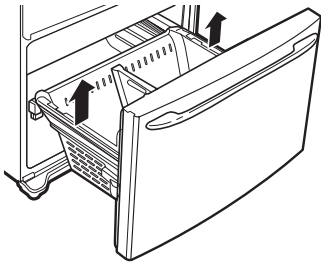
#### Para reemplazar:

- 1 Enganche la parte trasera de la división sobre la pared trasera del cajón.
- 2 Presione la división hacia abajo.



## Estantes y canastas del congelador

- 1 Canasta.
- 2 Gaveta.



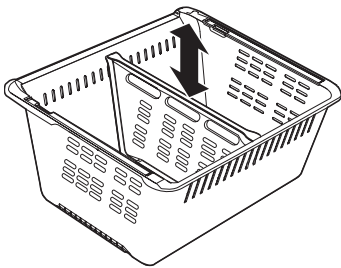
### Retiro de la canasta

**Para retirar:**

- 1 Quite la gaveta del congelador. (Ver más abajo).
- 2 Tire del cajón hacia afuera hasta que se detenga.
- 3 Incline hacia arriba la parte trasera de la gaveta.
- 4 Levántela para quitarla.

**Para reemplazar:**

- 1 Coloque la canasta sobre el montaje de rieles.



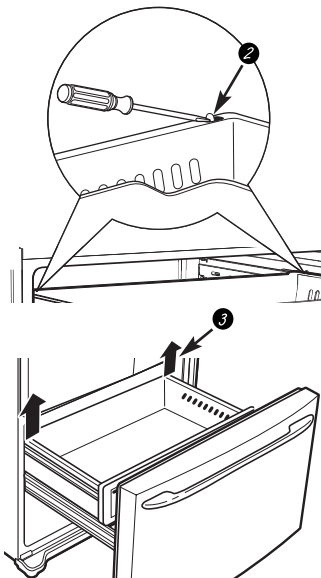
### Remoción de la división de la canasta

**Para retirar:**

- 1 Tire la canasta hacia afuera hasta que se detenga.
- 2 Incline hacia arriba la parte trasera de la gaveta.
- 3 Levántela para quitarla.

**Para reemplazar:**

- 1 Enganche los extremos superiores de la división sobre el orificio de la canasta.



### Retiro de la gaveta

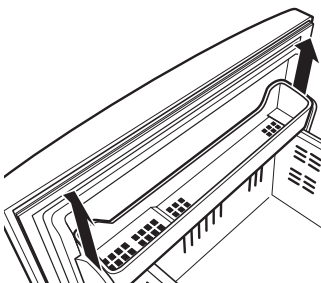
**Para retirar:**

- 1 Tire del cajón hacia afuera hasta que se detenga.
- 2 Quite ambas perillas laterales con un destornillador de cabeza plana.
- 3 Incline hacia arriba la parte trasera del cajón, levántelo y quítelo.

**Para reemplazar:**

- 1 Tire ambos rieles hacia afuera hasta que se detenga.
- 2 Coloque el cajón sobre los rieles y enganche el soporte dentro de las ranuras ubicadas en el lado del cajón.
- 3 Vuelva a colocar la perilla lateral y presione el cajón hasta su lugar.

**⚠ ADVERTENCIA:** No pierda las perillas laterales durante el desmontaje ya que pueden provocar un peligro de atragantamiento para los niños.



### Gaveta no ajustable en el congelador

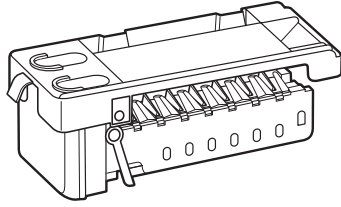
**Para retirar:** Tire de los soportes hacia arriba hasta escuchar un "clic" y quite la gaveta.

**Para reemplazar:** Enganche los extremos de la gaveta dentro de ambos soportes y presione hacia abajo hasta que la gaveta se trabe en su lugar.



# Sobre la máquina de hielo automática.

Un refrigerador recientemente instalado puede tomar entre 12 y 24 horas para empezar a hacer hielo.



## Máquina de hielo automática

La máquina de hielos producirá siete cubos por ciclo, aproximadamente entre 100 y 130 cubos en un periodo de 24 horas, dependiendo de la temperatura del compartimiento del congelador, la temperatura del cuarto, el número de veces que se abre la puerta y otras condiciones de uso.

**Para modelos que no son de LCD:** Si se utiliza el refrigerador antes de que se realice la conexión de agua hacia la máquina de hielo, presione y libere el botón **ICE OFF/LOCK** (apagado hielo/bloqueo) del panel de control para desconectar la máquina de hielo.

Cuando el refrigerador se haya conectado al suministro de agua, presione y libere el botón **ICE OFF/LOCK** (apagado hielo/bloqueo) del panel de control para conectar la máquina de hielo.

**Para modelos de LCD:** Si se opera el refrigerador antes de que se realice la conexión de agua a la máquina de hielo, ver ICEMAKER (máquina de hielo) bajo la sección *Funciones de pantalla de las operaciones de LCD* y siga las indicaciones de la pantalla para apagar (OFF) la máquina de hielo.

Un refrigerador recién instalado se puede tomar entre 12 y 24 horas para empezar a hacer cubos de hielo.

Escuchará un zumbido cada vez que la máquina de hielos se llene de agua. Deseche los primeros cubos de hielo para permitir que la línea del agua se limpie. Asegúrese de que nada interfiera con el movimiento del brazo indicador.

Cuando el contenedor se llene al nivel del brazo indicador, la máquina de hielos dejará de producir hielos. Es normal que varios cubos de hielo se junten.

Si el hielo no se usa con frecuencia, los cubos de hielo viejo se volverán turbios, con sabor rancio y se encogerán.

**NOTA:** En hogares con presión de agua inferior al promedio, es posible que escuche el ciclo de la máquina de hielos varias veces al hacer un lote de hielo.

**NOTA:** Si el suministro de agua se encuentra apagado, presione y libere el botón **ICE OFF/LOCK** (apagado hielo/bloqueo) del panel de control del modelo que no es de LCD.

**Para el modelo de LCD,** ver ICEMAKER (máquina de hielo) bajo la sección *Funciones de pantalla de las operaciones de LCD* y siga las indicaciones de la pantalla para apagar (OFF) la máquina de hielo.

## Limpiar el exterior

### **Las manijas de la puerta y los ornamentos.**

Se limpian con un paño humedecido con una solución de detergente suave y agua. Seque con un paño suave. No use cera en las manijas de la puerta ni en los ornamentos.

**Mantenga limpio el terminado.** Limpie con un paño limpio ligeramente humedecido con cera para aparatos de cocina o un detergente suave y agua. Seque y pula con un paño limpio y suave.

*No limpie el refrigerador con un paño sucio para trastes ni con un paño húmedo. Estos podrían dejar residuos que afecten a la pintura. No use estropajos, limpiadores en polvo, blanqueadores ni limpiadores que contengan blanqueador, ya que estos productos podrían rayar y desprender el acabado de pintura.*

### **Los paneles y las manijas de las puertas de acero inoxidable.**

Acero inoxidable (en algunos modelos) pueden ser limpiados con un limpiador para acero inoxidable para usos comerciales.

No utilice cera para electrodomésticos sobre el acero inoxidable.

**Piezas plásticas plateadas.** Lave las piezas con jabón u otro detergente suave. Limpie con una esponja, paño húmedo o toalla de papel.

No raspe con esponjillas de metal u otros limpiadores abrasivos.

## Limpiar el interior

**Para evitar olores,** deje una caja abierta de bicarbonato de sodio en los compartimientos del refrigerador y del congelador.

**Desconecte el refrigerador antes de limpiarlo.** Si no fuera posible, exprima el exceso de humedad de la esponja o del paño cuando se limpie alrededor de botones, bombillas o controles.

Use cera para electrodomésticos en el interior entre las puertas.

Use agua caliente y una solución de bicarbonato de sodio—aproximadamente una cucharada (15 ml) de bicarbonato de sodio por cada cuarto (1 litro) de agua. Esta solución limpia y neutraliza olores. Enjuague y seque.

Después de limpiar los sellos magnéticos de las puertas, aplique una capa delgada de vaselina del lado de la bisagra. Esto ayuda a evitar que los sellos magnéticos se doblen o se peguen.

*Evite limpiar los estantes de vidrio fríos con agua caliente, ya que la extrema diferencia de temperatura puede hacer que se quiebren. Maneje los estantes de vidrio con cuidado. Chocar vidrio templado puede hacer que se rompa en pedazos.*

*No lave partes plásticas del refrigerador en el lavaplatos.*

**Piezas plásticas plateadas.** Limpie las piezas con agua jabonosa. Limpie con una esponja, paño húmedo o toalla de papel.

No raspe con esponjillas de metal u otros limpiadores abrasivos.



# Cuidado y limpieza del refrigerador.

Seguridad

## Atrás del refrigerador

Se deberá tener cuidado al retirar el refrigerador de la pared. Todos los tipos de recubrimiento de pisos se pueden dañar, sobre todo los recubrimientos acolchados y los que tienen superficies repujadas.

Eleve las patas niveladoras ubicadas en la parte inferior frontal del refrigerador.

Hale el refrigerador en forma recta y empuje nuevamente para devolverlo a su posición. Mover el refrigerador en dirección lateral puede causar daños al recubrimiento del piso o al refrigerador.


Baje las patas niveladoras hasta que toquen el piso.

*Al empujar el refrigerador a su lugar, asegúrese de no pasar sobre el cable eléctrico ni sobre la línea de alimentación de la máquina de hielos (en algunos modelos) y asegure que el soporte anti-volcaduras esté accionado (si corresponde).*

Operación

## Preparación para vacaciones

En el caso de vacaciones o ausencias prolongadas, quite los alimentos y desenchufe el refrigerador. Limpie el interior con solución de bicarbonato de una cucharada (15 ml) de bicarbonato por un cuarto (1 litro) de agua. Deje abiertas las puertas.

**Modelos que no son de LCD: Encienda** la característica Ice Off (apagado hielo) presionando y liberado el botón **ICE OFF/LOCK** (apagado hielo/trabado) del panel de control (puede verse el ícono ) y desconecte el suministro de agua hacia el refrigerador.

**Modelos de LCD: Apague** la máquina de hielo siguiendo las instrucciones de pantalla incluidas en la sección *Controles de LCD*.

Si la temperatura pueda llegar al punto de congelación, haya una persona calificada para desaguar el sistema del suministro de agua para evitar daños a la propiedad causados por inundación.

Instalación

## En caso de mudanza

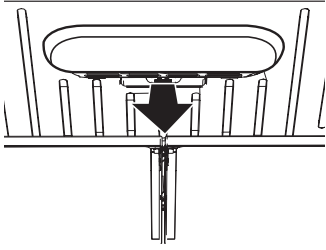
Asegure todos los elementos sueltos como parrilla de la base, entrepaños y recipientes pegándolos con cinta adhesiva en su lugar para evitar daños.

Al usar una carretilla para mover el refrigerador, no haga descansar la parte frontal o trasera del refrigerador contra la carretilla. Esto podría dañar el refrigerador. Manéjelo sólo desde los laterales del refrigerador.

*Asegúrese de que el refrigerador se coloque en posición vertical durante la mudanza.*

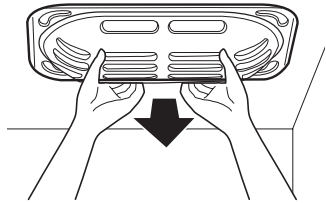
Solucionar problemas

Servicio al consumidor



## Luces del refrigerador

Un técnico autorizado debe reemplazar la luz LED.



## Luz del congelador

### **⚠ PRECAUCIÓN:**

Las bombillas podrían estar calientes.

- 1 Desenchufe el cable de energía del tomacorriente.
- 2 Tire el cajón hacia afuera hasta que se detenga.
- 3 Gire la pantalla hacia abajo mientras la empuja hacia atrás para quitarla.

- 4 Gire la bombilla en sentido contrario de las agujas del reloj.
- 5 Coloque una bombilla del artefacto del mismo vataje o menor.
- 6 Vuelva a colocar la pantalla.
- 7 Vuelva a enchufar el refrigerador.

**NOTA:** Las bombillas del artefacto pueden solicitarse en Piezas y Accesorios de GE, 800.626.2002.

# Instrucciones para la Instalación

# Refrigerador

Profile Modelo 26

¿Preguntas? Llame al 800.GE.CARES (800.432.2737) o bien Visite nuestra página Web: [ge.com](http://ge.com)

## ANTES DE INICIAR

Lea estas instrucciones completa y cuidadosamente.

- **IMPORTANTE** – Guarde estas instrucciones para uso del inspector local.
- **IMPORTANTE** – Observe todos los códigos y órdenes de ley.
- **Nota al instalador** – Asegúrese de dejar estas instrucciones con el consumidor.
- **Nota al consumidor** – Conserve estas instrucciones para referencia futura.
- **Nivel de destreza** – La instalación de este aparato requiere de destrezas mecánicas básicas.
- **Tiempo de ejecución** – Instalación del refrigerador  
20 minutos  
Instalación de la línea de agua  
30 minutos
- La instalación apropiada es la responsabilidad del instalador.
- La falla del producto debido a una instalación inadecuada no está cubierta por la garantía.

## PREPARACIÓN

### CÓMO MOVER EL REFRIGERADOR AL INTERIOR

Si el refrigerador no entra por una puerta, se pueden retirar la puerta del refrigerador y la gaveta del congelador.

- Para retirar la puerta del refrigerador, consulte la sección *Instalación del refrigerador*.
- Para retirar la gaveta del congelador, consulte la sección *Cómo retirar la gaveta del congelador*.

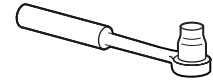
### SUMINISTRO DE AGUA HACIA LA MÁQUINA DE HIELOS Y EL DISPENSADOR (EN ALGUNOS MODELOS)

Si el refrigerador tiene una máquina de hielos, se tendrá que conectar a una tubería de agua potable fría. Un kit de suministro de agua (contiene tubería de cobre, válvula de cierre, accesorios e instrucciones) está disponible con un costo adicional a través de su proveedor, visitando nuestra página Web [ge.com](http://ge.com) o bien a través de Partes y Accesorios, 800.626.2002.

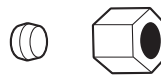
## HERRAMIENTAS QUE USTED PUEDE NECESITAR



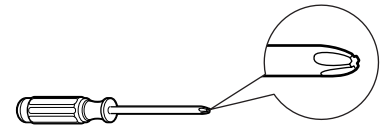
Llave ajustable



Destornillador de casquillo de 10 mm



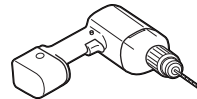
Tuerca de compresión de 1/4" y férula (manga) (modelos con máquina de hielos solamente)



Destornillador Phillips



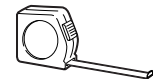
Llaves Allen de 3/32", 1/8" y 4 mm



Broca de perforadora de 1/8" y perforadora eléctrica o de mano



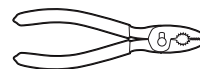
Destornillador plano



Cinta métrica



Lápiz



Alicates



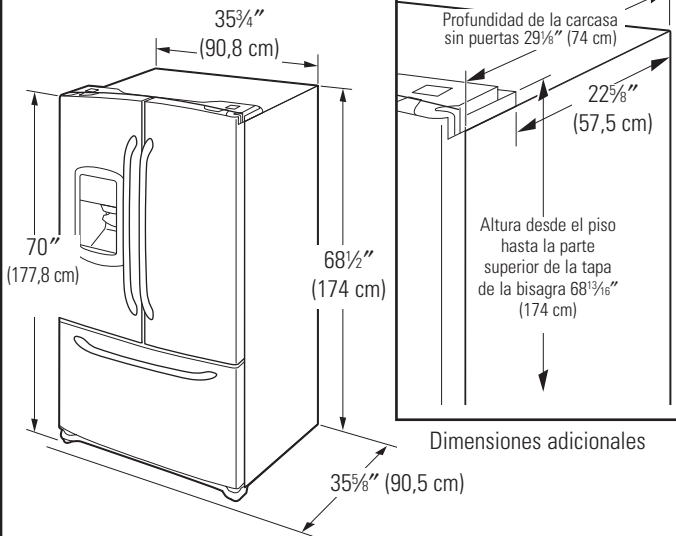
Llave de tuercas de 1/4"



Nivel

# Instrucciones para la instalación

## DIMENSIONES



Altura total hasta la parte superior de la tapa de la bisagra a la altura máx.	70" (177,8 cm)
Altura desde el piso hasta el nivel más bajo de la tapa de la bisagra	68 <sup>13</sup> / <sub>16</sub> " (174 cm)
Profundidad de la carcasa sin puertas	29 <sup>1</sup> / <sub>8</sub> " (74 cm)
Altura hasta la parte superior del gabinete	68 <sup>1</sup> / <sub>2</sub> " (174 cm)
Ancho total de la carcasa exterior	35 <sup>3</sup> / <sub>4</sub> " (90,8 cm)
Profundidad total exterior puertas/ cajones arqueados con manijas	35 <sup>5</sup> / <sub>8</sub> " (90,5 cm)

# Instrucciones para la instalación

## INSTALACIÓN DEL REFRIGERADOR

### UBICACIÓN DEL REFRIGERADOR

- No instale el refrigerador donde la temperatura baje de 60° F (16° C) ya que no correrá con suficiente frecuencia para mantener las temperaturas apropiadas.
- No instale el refrigerador donde la temperatura suba por encima de 100° F (37° C) ya que no funcionará correctamente.
- Instálelo en un piso fuerte para que lo soporte con carga completa.

### ESPACIO LIBRE

Permita el siguiente espacio para una fácil instalación, apropiada circulación del aire y conexiones de plomería y eléctricas:

Costados	1/8" (3 mm)
Arriba	1" (25 mm)
Atrás	1" (25 mm)

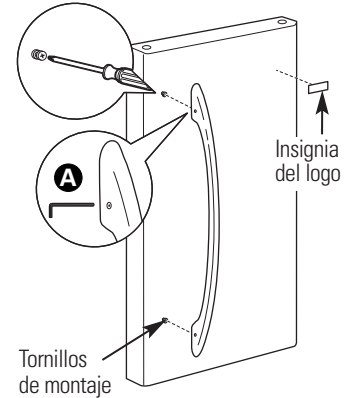
### PARA QUITAR LAS PUERTAS DEL REFRIGERADOR

- **NOTA IMPORTANTE:** Este refrigerador tiene una profundidad de 35,6 pulgadas. Las puertas y los pasillos que llevan a la ubicación de la instalación deben tener un ancho de por lo menos 36 pulgadas para dejar las puertas y las manijas conectadas al refrigerador mientras éste se transporta a la ubicación de la instalación. Si los pasillos tienen menos que 36 pulgadas, las puertas y las manijas del refrigerador se pueden rayar y dañar con facilidad. Se pueden retirar la tapa superior y las puertas para permitir el traslado seguro del refrigerador al interior. Empiece con el Paso A.
- Omita el Paso A si no se necesita retirar las puertas. Deje la cinta y todo el embalaje en las puertas hasta que el refrigerador se encuentre en su destino final.
- **NOTA:** Utilice una carretilla de mano almohadillada para trasladar el refrigerador. Coloque el refrigerador en la carretilla de mano con un costado contra la carretilla. Recomendamos fuertemente que **DOS PERSONAS** trasladen y completen la instalación.

### 1 RETIRE LA MANIJA DE LA PUERTA DE ALIMENTOS FRESCOS

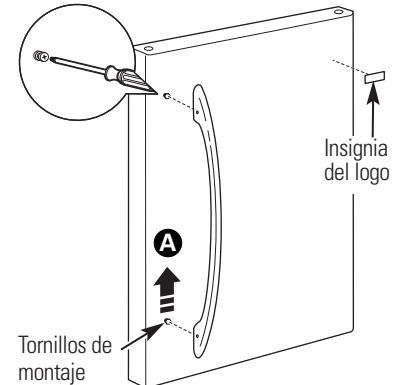
#### Manija de acero inoxidable:

- A** **CÓMO REMOVER LA MANIJA DE LA PUERTA:** Afloje los tornillos de fijación con una llave Allen de 3/32" y retire la manija.



#### Manija plástica:

- A** **CÓMO QUITAR LA MANIJA DE LA PUERTA:** Baje la lengüeta ubicada en la parte inferior de la manija y deslícela hacia arriba, sacándola de las fijaciones.



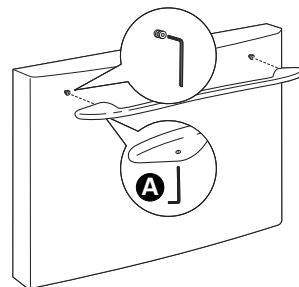
**NOTA:** Para ajustar o retirar los tornillos de montaje de la manija utilice el destornillador Phillips.

### 2 RETIRE LA MANIJA DE LA PUERTA DEL CONGELADOR

#### Manijas de acero inoxidable y plástico:

- A** Afloje los tornillos de fijación ubicados en la parte inferior de la manija con una llave Allen de 1/8" y retire la manija.

**NOTA:** Para ajustar o retirar los tornillos de montaje de la manija utilice el destornillador Phillips.

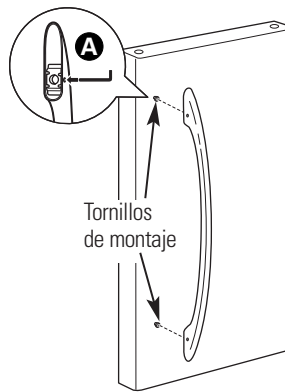


# Instrucciones para la instalación

## 3 SUJETE LA MANIJA DE LA PUERTA DE ALIMENTOS FRESCOS

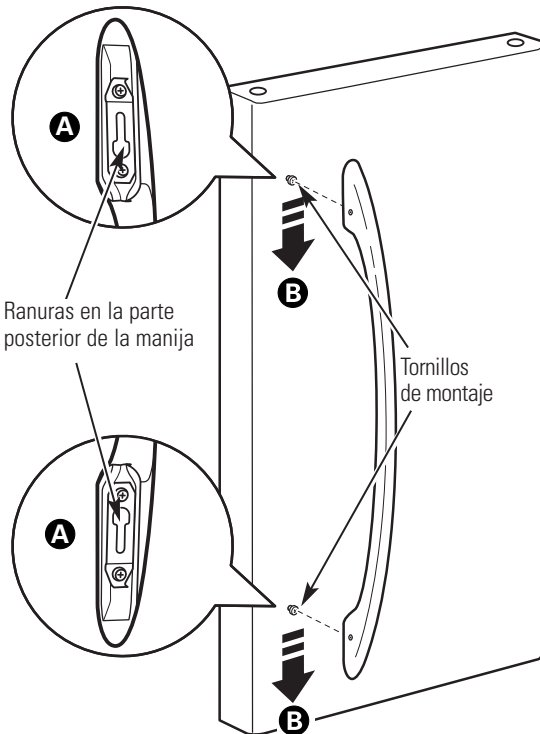
**Manija de acero inoxidable:**

- A** Sujete la manija a los tornillos de montaje y ajuste los tornillos de fijación con una llave Allen de 3/32".



**Manija plástica:**

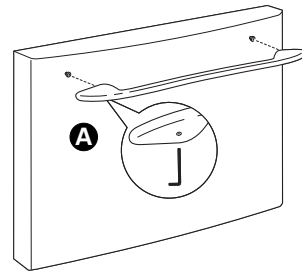
- A** Para sujetar la manija a los tornillos de montaje alinee las ranuras con los tornillos de montaje.
- B** Deslícela hasta que encaje firmemente en su lugar.



## 4 SUJETE LA MANIJA DE LA PUERTA DEL CONGELADOR

**Manijas de acero inoxidable y plástico:**

- A** Sujete la manija firmemente a los tornillos de montaje y ajuste los tornillos de fijación en la parte inferior de la manija con una llave Allen de 1/8".

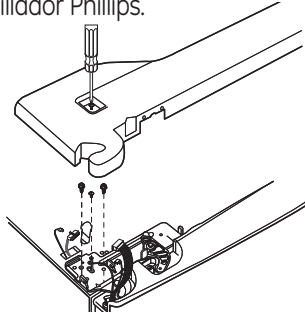


# Instrucciones para la instalación

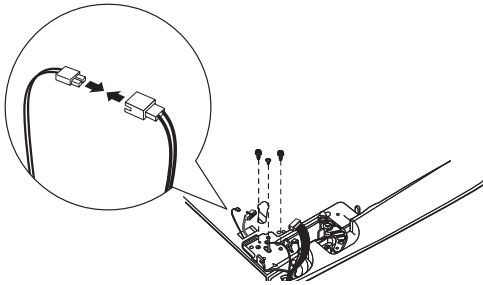
## INSTALACIÓN DEL REFRIGERADOR (cont.)

### 5 CÓMO QUITAR LAS PUERTAS DEL REFRIGERADOR

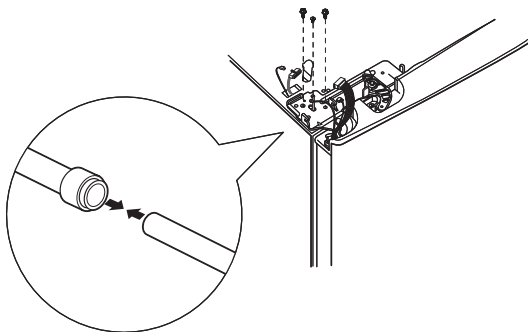
- A** Abra las puertas del refrigerador.
- B** Quite las dos tapas con un destornillador de cabeza plana.
- C** Quite los tres tornillos de la parte superior con un destornillador Phillips.



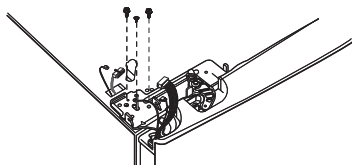
- D** Desconecte los dos conectores eléctricos.



- E** Para desconectar la conexión de agua, presione sobre el color gris de la conexión y tire de la tubería.



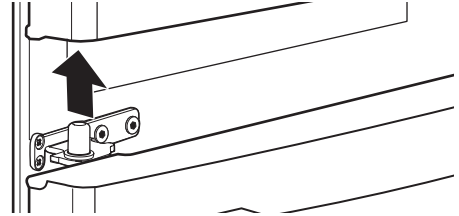
- F** Quite los dos cables de conexión a tierra con un destornillador Phillips.
- G** Quite los tres pernos de cabeza hexagonal de 10 mm (derecha e izquierda).



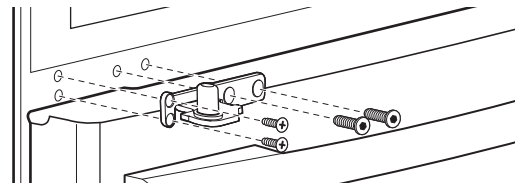
**⚠ PRECAUCIÓN:** Cuando quita los pernos, la puerta puede caer y provocar lesiones personales y/o daños a la puerta misma.

### 5 CÓMO QUITAR LAS PUERTAS DEL REFRIGERADOR (cont.)

- H** Levante la puerta hacia arriba para quitarla.

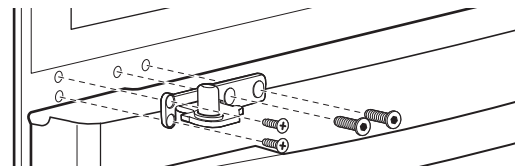


- I** Quite los dos pernos de cabeza hexagonal y los dos tornillos Phillips de la bisagra central. Separe la bisagra, los pernos y tornillo.

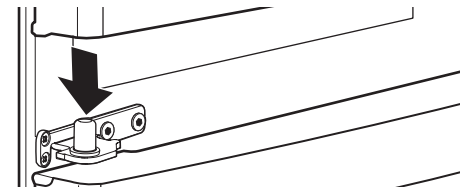


### 6 CÓMO VOLVER A COLOCAR LAS PUERTAS DEL REFRIGERADOR

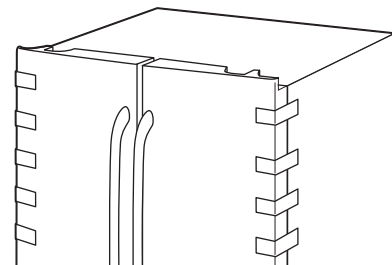
- A** Instale la bisagra central en cada lado.



- B** Baje la puerta del refrigerador sobre el perno de la bisagra central. Verifique que el capuchón plástico del perno de la bisagra esté sobre el perno de la bisagra central o dentro del orificio del perno de la bisagra de la puerta ubicado en la parte inferior de la puerta.



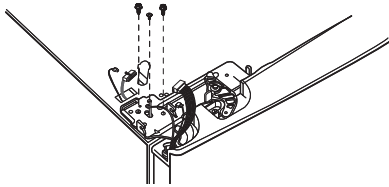
- C** Coloque cinta para que la puerta no se abra o solicite a una segunda persona que sostenga la puerta.



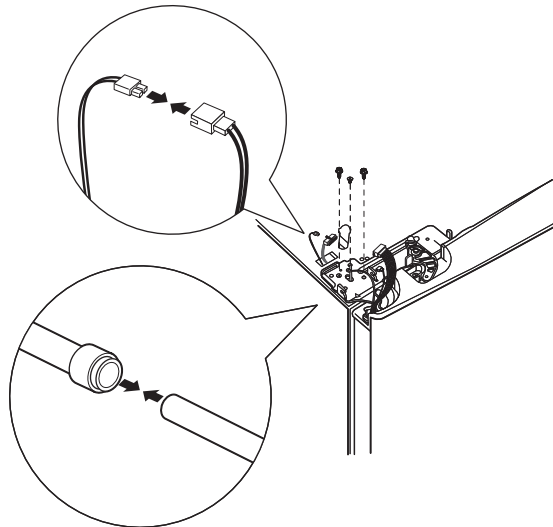
# Instrucciones para la instalación

## 6 CÓMO VOLVER A COLOCAR LAS PUERTAS DEL REFRIGERADOR (cont.)

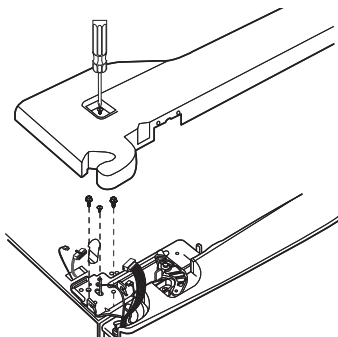
- D** Introduzca el perno de la bisagra superior dentro del orificio de la bisagra de la parte superior de la puerta del refrigerador. Verifique que la puerta esté alineada con el gabinete y la puerta opuesta. Conecte la bisagra a la parte superior del gabinete. No ajuste los pernos por completo.



- E** En las puertas de la izquierda, pase los cables y línea de agua a través del perno de la bisagra superior. Luego conecte la línea de agua y los dos conectores.

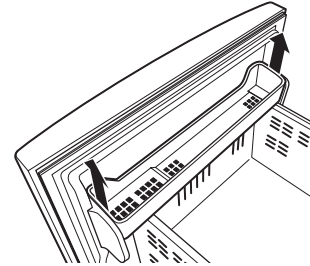


- F** Conecte el cable a tierra con un destornillador Phillips sobre las bisagras derecha e izquierda.
- G** Verifique que la junta de la puerta esté nivelada con el gabinete y que no esté doblada. Verifique que la puerta esté derecha y que el espacio entre las puertas esté nivelado en el frente. Mientras sostiene la puerta alineada en su lugar, ajuste los pernos de la bisagra superior.
- H** Vuelva a instalar los dos conectores sobre cada lado de la tapa superior y vuelva a conectar los tres tornillos Phillips en la parte superior.

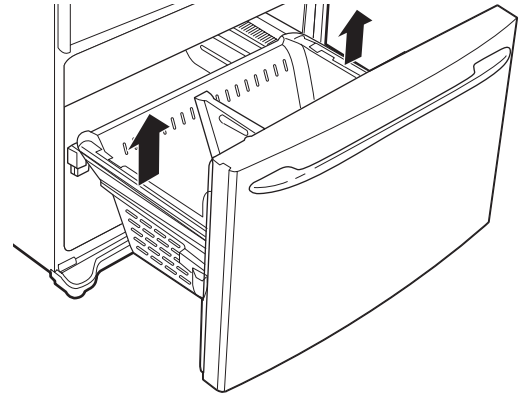


## 7 quite la puerta del congelador

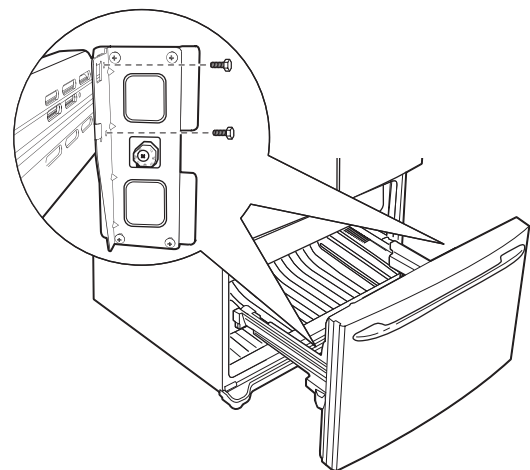
- A** Abra la puerta del congelador al máximo.
- B** Quite la gaveta del congelador tirando de ambos soportes hacia arriba al mismo tiempo. (Ver página 113.)



- C** Quite la canasta inferior levantándola del sistema de rieles. (Ver página 113.)



- D** Quite los dos pernos hexagonales de 10 mm de los lados derecho e izquierdo.



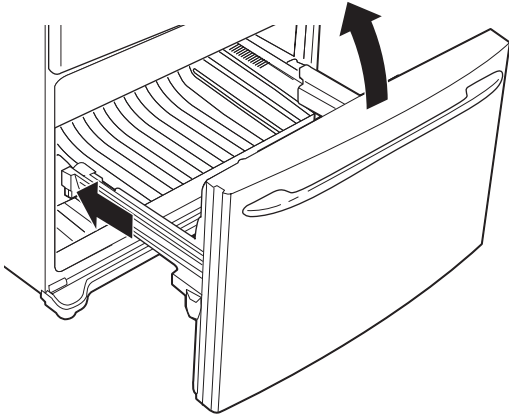


# Instrucciones para la instalación

## INSTALACIÓN DEL REFRIGERADOR (cont.)

### 7 QUITAR LA PUERTA DEL CONGELADOR (cont.)

- E** Use la punta del destornillador para separar el riel de la tapa del riel. Incline el extremo frontal hacia arriba y levante toda la puerta.



- F** Coloque el frente de la puerta sobre una superficie que no raye.
- G** Empuje los montajes de rieles dentro del gabinete.

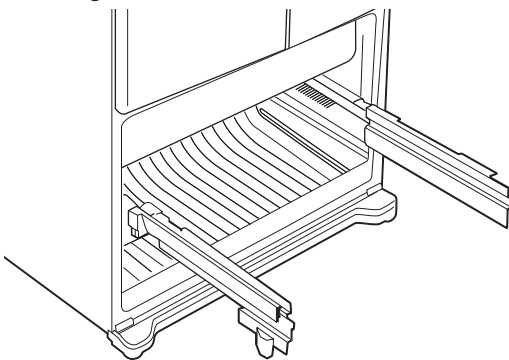
**⚠ PRECAUCIÓN:** Empuje ambos lados de los montajes de rieles al mismo tiempo.

### 8 CÓMO VOLVER A COLOCAR LA PUERTA DEL CONGELADOR

Se requieren dos personas para completar este procedimiento.

#### CONECTE Y SUJETE EL FRENTE DEL CAJÓN A LOS DESLIZADORES

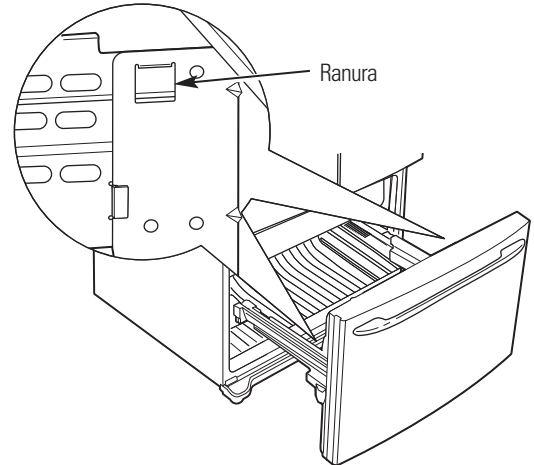
- A** Estire los montajes de rieles al máximo sobre cada lado del gabinete.



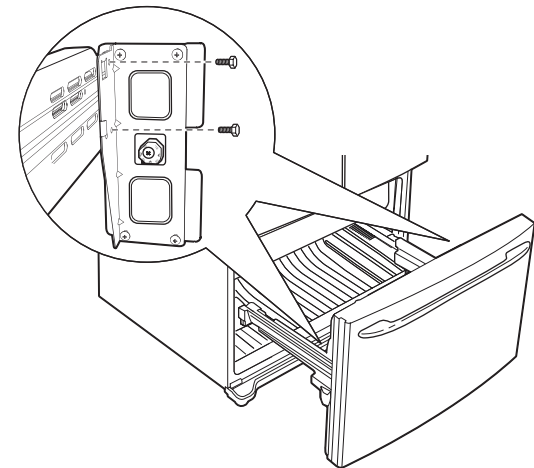
**⚠ PRECAUCIÓN:** Asegúrese de estirar los rieles laterales de manera uniforme.

### 8 CÓMO VOLVER A COLOCAR LA PUERTA DEL CONGELADOR (cont.)

- B** Cuelgue el frente de la puerta del congelador sobre las ranuras abiertas de los lados.

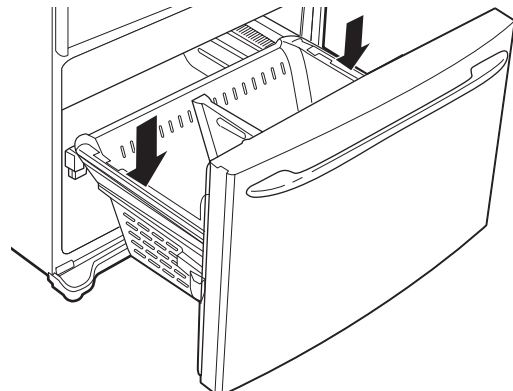


- C** Ajuste los tornillos por completo. (Hay cuatro pernos hexagonales de 10 mm.)



### CÓMO VOLVER A COLOCAR LA CANASTA DEL CONGELADOR

Vuelva a colocar la canasta del congelador bajándola sobre el marco.

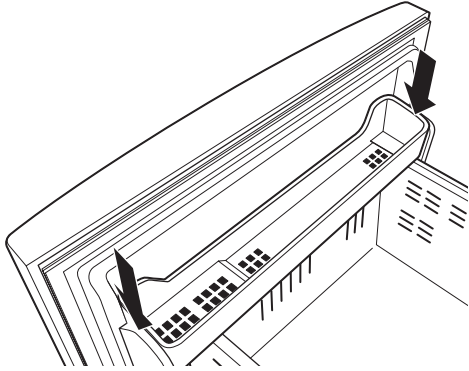


# Instrucciones para la instalación

## 8 CÓMO VOLVER A COLOCAR LA PUERTA DEL CONGELADOR (cont.)

### CÓMO VOLVER A COLOCAR LA GAVETA DEL CONGELADOR

Enganche los extremos de la gaveta del congelador dentro de ambos soportes y presione hacia abajo hasta que se traben en su lugar. (Ver página 113.)



## 9 CÓMO CONECTAR EL REFRIGERADOR A LA LÍNEA DE AGUA DE LA CASA

Se requiere un suministro de agua fría para la operación de la máquina de helos. Si no existe un suministro de agua fría, usted necesitará hacer uno. Ver la sección *Instalación de la tubería de agua*.

### NOTAS:

- Antes de hacer la conexión, cerciñese de que el cable eléctrico del refrigerador no esté conectado al interruptor de la pared.
- Si el refrigerador no tiene un filtro de agua, recomendamos que instale uno si su suministro de agua tiene arena o partículas que pudieran obstruir la pantalla de la válvula de agua del refrigerador. Instálelo en la línea de agua cerca del refrigerador. Si usted está usando un kit de tubería de refrigeración GE SmartConnect,™ usted necesitará una tubería adicional (WX08X10002) para conectar el filtro. No use tuberías plásticas para instalar el filtro.

- A** Si usted está usando tubería de cobre, coloque una tuerca de compresión y una férula (manga) en el extremo de la tubería que viene del suministro de agua fría de la casa.

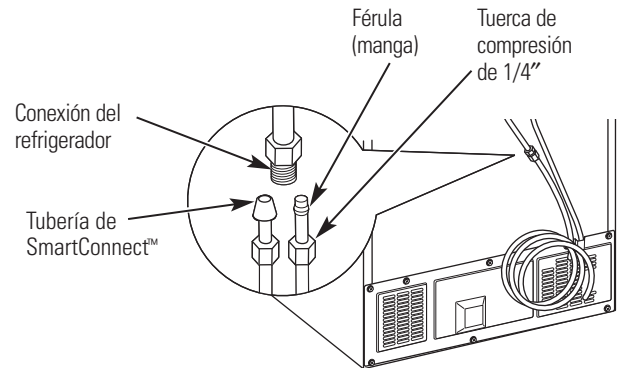
Si se encuentra usando tuberías de GE SmartConnect,™ las tuercas están ya ensambladas a la tubería.

## 9 CÓMO CONECTAR EL REFRIGERADOR A LA LÍNEA DE AGUA DE LA CASA (cont.)

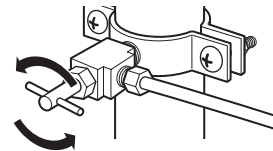
- B** Si usted está usando tubería de cobre, inserte el extremo de la tubería en la conexión del refrigerador, en la parte posterior del refrigerador, hasta donde sea posible. Mientras sostiene la tubería, apriete el accesorio.

Si se encuentra usando tuberías de GE SmartConnect,™ inserte el extremo moldeado de la tubería en la conexión del refrigerador en la parte posterior del refrigerador, y apriete la tuerca de compresión hasta que esté apretada a mano. Entonces apriete una vuelta adicional con una llave. Si la aprieta demasiado causará fugas.

- C** Apriete la tubería en la abrazadera proporcionada para sostenerla en su posición. Es posible que usted necesite levantar la abrazadera haciendo palanca.

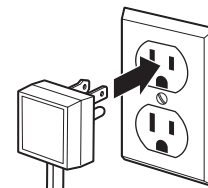


## 10 ACTIVE LA CONEXIÓN DE AGUA



Haga pasar la corriente de agua en la válvula de cierre (el suministro de agua de la casa) e inspeccione en busca de fugas.

## 11 CONECTE EL REFRIGERADOR



Ver la información adjunta sobre la conexión a tierra del cable eléctrico.

# Instrucciones para la instalación

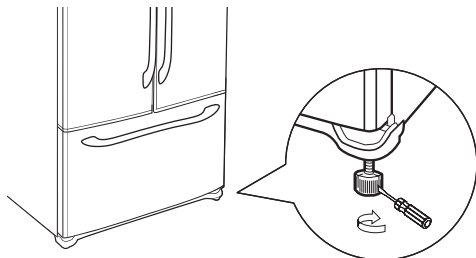
## INSTALACIÓN DEL REFRIGERADOR (cont.)

### 12 CÓMO NIVELAR EL REFRIGERADOR

Las patas niveladoras tienen dos propósitos:

- 1) Las patas niveladoras se ajustan para que el refrigerador esté colocado firmemente en el piso y no tambalee.
- 2) Las patas niveladoras sirven como un freno estabilizador para sostener el refrigerador firmemente en posición durante la operación y limpieza. Las patas niveladoras también evitan que el refrigerador se incline.

- A** Gire las patas niveladoras **en sentido de las agujas del reloj para levantar** el refrigerador, y **en contra de las agujas del reloj para bajarlo**.

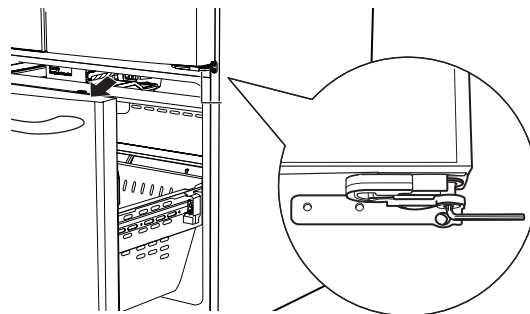


Destornillador plano

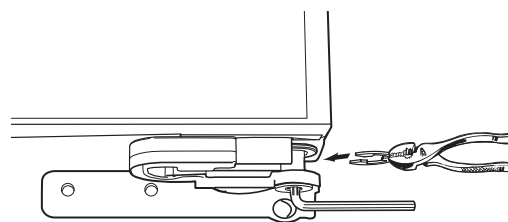
**! PRECAUCIÓN:** Para evitar posibles lesiones personales o daños a la propiedad, las patas niveladoras deben tocar firmemente el piso.

### 13 CÓMO NIVELAR LAS PUERTAS DEL REFRIGERADOR (cont.)

- A** Si abre la puerta del congelador, usted podrá ver la bisagra central.
- B** Introduzca la llave Allen de 4 mm dentro del eje de la bisagra central.
- C** Ajuste la altura girando en sentido de las agujas del reloj o en sentido contrario de las agujas del reloj. Cuando gire en sentido contrario de las agujas del reloj, la puerta se elevará.



- D** Después de ajustar las puertas, por favor introduzca el anillo sujetador suministrado utilizando un par de pinzas en el espacio entre el ojal de la bisagra y la bisagra central. La cantidad de anillos de sujeción que necesitará depende del espacio.

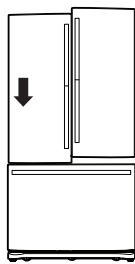


**NOTA:** Se incluyen cuatro anillos de sujeción con el refrigerador. El grosor de cada anillo de sujeción es 0.04”.

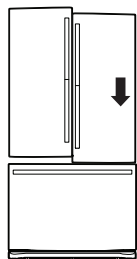
### 13 CÓMO NIVELAR LAS PUERTAS DEL REFRIGERADOR

Recuerde que hace falta un refrigerador nivelado para que las puertas estén bien equilibradas. Si necesita ayuda, vuelva a ver la sección anterior sobre la nivelación del refrigerador.

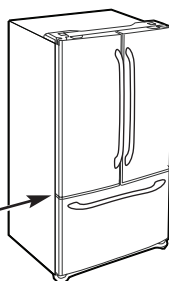
Cuando la puerta izquierda está más baja que la derecha.



Cuando la puerta izquierda está más alta que la derecha.



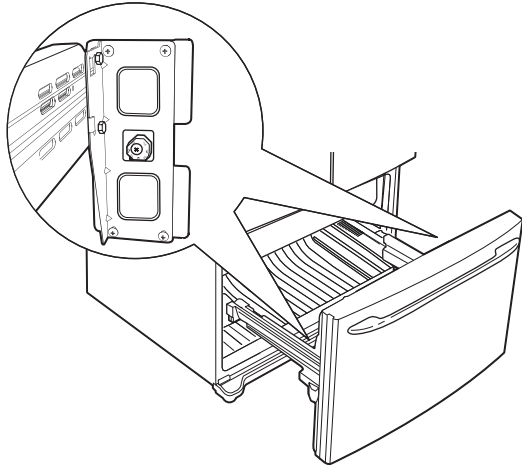
Punto de ajuste



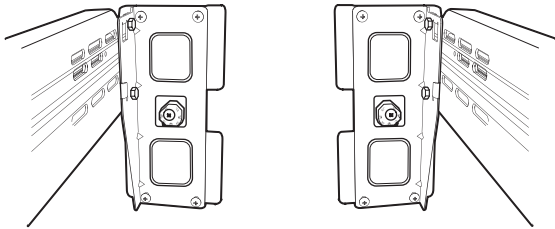
Punto de ajuste

# Instrucciones para la instalación

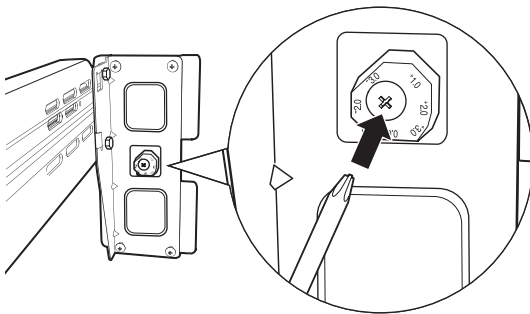
## 14 CÓMO NIVELAR LA PUERTA DEL CONGELADOR



- A** Ubique el ajuste de altura de la puerta del congelador. Afloje un poco los cuatro tornillos Phillips de la puerta sobre cada lado (derecho e izquierdo).

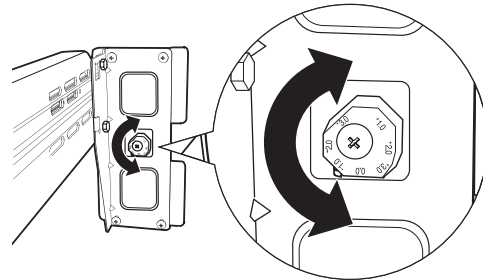


- B** Afloje el tornillo regulador con un destornillador Phillips para ajustar el nivel.

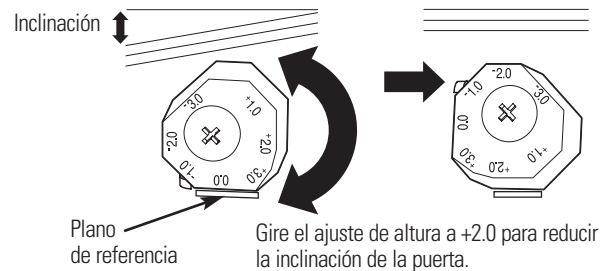


## 14 CÓMO NIVELAR LA PUERTA DEL CONGELADOR (cont.)

- C** Encuentre la mejor posición para alinear la inclinación de la puerta.



Ejemplo: La inclinación es de 2 mm, como puede verse abajo.



- D** Después del ajuste, apriete todos los tornillos.

## 15 AJUSTE LOS CONTROLES

Ajuste los controles donde se recomienda.

### RECOMMENDED CONTROL SETTINGS



## 16 RETIRE EL EMBALAJE INICIE LA MÁQUINA DE HIELO

- A** Retire toda la cinta y el embalaje protector y de espuma de las repisas y las gavetas.

# Instrucciones para la instalación

## INSTALACIÓN DE LA TUBERÍA DEL AGUA

### ANTES DE INICIAR

Los kits de cobre recomendados para el suministro de agua son WX8X2, WX8X3 o WX8X4, dependiendo de la cantidad de tubería necesaria. Las tuberías plásticas aprobadas para el suministro de agua son las tuberías para el refrigerador SmartConnect™ de GE (WX08X10006, WX08X10015 y WX08X10025).

Al conectar su refrigerador a un Sistema de Agua de Ósmosis Inversa de GE, la única instalación aprobada es con un RVKIT de GE. Para otros sistemas de agua de ósmosis inversa, siga las instrucciones del fabricante.

Si el suministro de agua hacia el refrigerador es desde un Sistema de Filtro de Agua de Ósmosis Inversa Y el refrigerador también tiene un filtro de agua, use el tapón de derivación del filtro del refrigerador. Usar el cartucho de filtro del agua del refrigerador en conjunto con el filtro de MWF puede resultar en cubos de hielo huecos.

Esta instalación de la tubería del agua no está garantizada por el fabricante del refrigerador o de la máquina de helos. Siga estas instrucciones cuidadosamente para minimizar el riesgo de un daño costoso por el agua.

El martilleo del agua (agua golpeando contra la tubería) en la tubería de la casa puede causar daños a las partes del refrigerador y conducir a un goteo o inundación por agua. Llame a un plomero calificado para corregir el martilleo del agua antes de instalar la tubería del agua al refrigerador.

Para evitar quemaduras y daños con el producto, no conecte la tubería del agua a la tubería del agua caliente.

**Para modelos que no son de LCD:** Si se utiliza el refrigerador antes de que se realice la conexión de agua hacia la máquina de hielo, presione y libere el botón **ICE OFF/LOCK** (apagado hielo/bloqueo) del panel de control para desconectar la máquina de hielo. Cuando el refrigerador se haya conectado al suministro de agua, presione y libere el botón **ICE OFF/LOCK** (apagado hielo/bloqueo) del panel de control para conectar la máquina de hielo.

**Para modelos de LCD:** Si se opera el refrigerador antes de que se realice la conexión de agua a la máquina de hielo, ver ICEMAKER (máquina de hielo) bajo la sección Funciones de pantalla de las operaciones de LCD y siga las indicaciones de la pantalla para apagar (OFF) la máquina de hielo.

No instale la tubería de la máquina de helos en lugares donde la temperatura caiga por debajo del nivel de congelamiento.

Al usar cualquier aparato eléctrico (como un taladro eléctrico) durante la instalación, asegúrese de que el aparato esté aislado o conectado de manera que evite el peligro de una descarga eléctrica, o se opere por baterías.

Todas las instalaciones se deben realizar según los requisitos del código local de plomería.

### QUÉ NECESITA



- **Kit de tubería de cobre para el refrigerador o SmartConnect™ de GE**, 1/4" de diámetro externo para conectar el refrigerador al suministro de agua. Si usa cobre, asegúrese de que ambos extremos de la tubería se corten uniformemente.

Para determinar la cantidad de tubería que necesita: mida la distancia desde la válvula del agua en la parte posterior del refrigerador hasta el tubo de suministro de agua. Asegúrese de que haya suficiente tubería adicional para permitir que el refrigerador se pueda mover de la pared después de la instalación.

Los kits de tubería para el refrigerador SmartConnect™ de GE están disponibles en las siguientes longitudes:

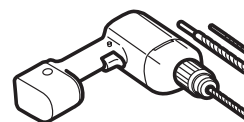
6' (1,8 m) – WX08X10006

15' (4,6 m) – WX08X10015

25' (7,6 m) – WX08X10025

**NOTA: La única tubería de plástico aprobada de GE es la que viene provista con los kits de tubería para el refrigerador SmartConnect™ de GE. No use ninguna otra tubería plástica para el suministro del agua ya que la tubería está bajo presión todo el tiempo. Ciertos tipos de plástico se fracturarán o se romperán con el tiempo y causarán daños en su casa debido al agua.**

- **Un kit de suministro de agua de GE** (contiene tubería, válvula de apagado y accesorios enumerados abajo) está disponible a un costo adicional en su tienda o por medio de Partes y Accesorios, 800.626.2002.
- **Un suministro de agua fría.** La presión del agua debe estar entre 20 y 120 p.s.i. (1,4–8,1 bar).

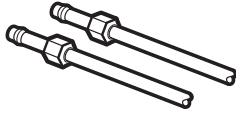


- **Taladro eléctrico.**
- **Llave de 1/2" o ajustable.**
- **Destornillador plano y de estrella.**



# Instrucciones para la instalación

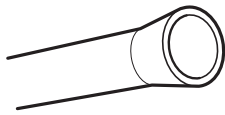
## QUÉ NECESITA (CONT.)



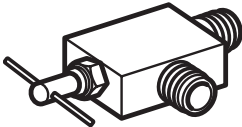
- **Dos tuercas de compresión de 1/4" de diámetro exterior y 2 férulas (mangas)**—para conectar la tubería de cobre a la válvula de apagado y la válvula del agua del refrigerador.

### O bien

- Si está usando un kit de tubería para el refrigerador SmartConnect™ de GE, los accesorios necesarios ya vienen preinstalados en la tubería.



- Si su tubería existente de cobre para el agua tiene un accesorio con vuelo en el extremo, necesitará un **adaptador** (disponible en las tiendas de suministros de plomería) para conectar la línea del agua al refrigerador **O BIEN**, podrá cortar el accesorio con vuelo con un **cortador de tubos** y luego usar un accesorio de compresión. No corte el extremo formado de la tubería para el refrigerador SmartConnect™ de GE.



- **Válvula de cierre** para conectar a la línea del agua fría. La válvula de apagado deberá tener una entrada de agua con un diámetro interno mínimo de 5/32" en el punto de conexión a la **TUBERÍA DEL AGUA FRÍA**. Las válvulas de apagado tipo silla vienen incluidas en muchos kits de suministro de agua. Antes de comprar, asegúrese de que una válvula tipo silla cumple con los códigos de plomería en su localidad.

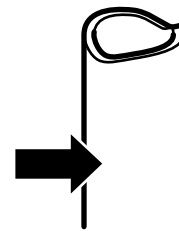
Instale la válvula de apagado en la tubería del agua de consumo más frecuentemente utilizada.

## 1 CIERRE EL SUMINISTRO PRINCIPAL DE AGUA

Abra el grifo más cercano por suficiente tiempo para limpiar la tubería del agua.

## 2 SELECCIONE LA UBICACIÓN DE LA VÁLVULA

Seleccione una ubicación para la válvula que sea fácilmente accesible. Es mejor conectarla en el costado de una tubería vertical de agua. Cuando sea necesario conectarla en una tubería horizontal de agua, haga la conexión en la parte superior o al lado, en vez de hacerlo en la parte de abajo, para evitar retirar cualquier sedimento de la tubería del agua.

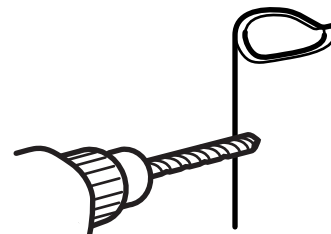


## 3 PERFORE EL ORIFICIO PARA LA VÁLVULA

Perfore un orificio de 1/4" en la tubería del agua (incluso si está usando una válvula auto perforadora), usando una broca afilada. Retire cualquier sobrante que resulte de perforar el orificio en la tubería.

**Tenga cuidado de no permitir que se filtre agua hacia el taladro.**

No perforar un orificio de 1/4" puede resultar en menor producción de hielo o cubos más pequeños.

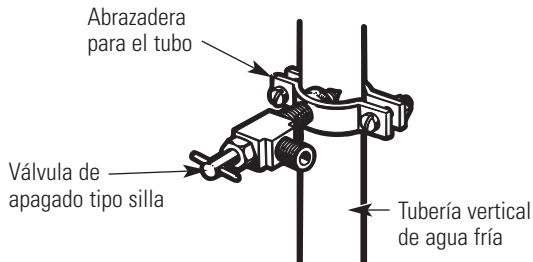


# Instrucciones para la instalación

## INSTALACIÓN DE LA TUBERÍA DEL AGUA (cont.)

### 4 INSTALE LA VÁLVULA DE APAGADO

Una la válvula de apagado a la tubería de agua fría con la abrazadera para el tubo.

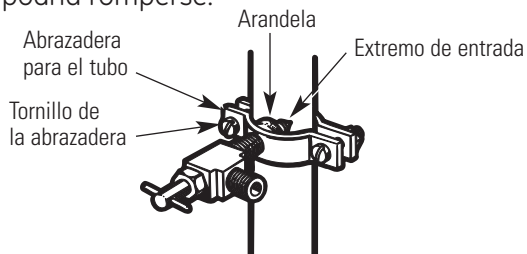


**NOTA:** Se deberán seguir los Códigos 248CMR de Plomería para el Estado de Massachusetts. Las válvulas tipo silla son ilegales y su uso no está permitido en Massachusetts. Consulte con un plomero licenciado.

### 5 APRIETE LA ABRAZADERA DEL TUBO

Apriete los tornillos de la abrazadera hasta que la arandela sellante empiece a hincharse.

**NOTA:** No apriete demasiado la tubería ya que podría romperse.



### 6 DIRIJA LA TUBERÍA

Rote la tubería entre la línea del agua fría y el refrigerador.

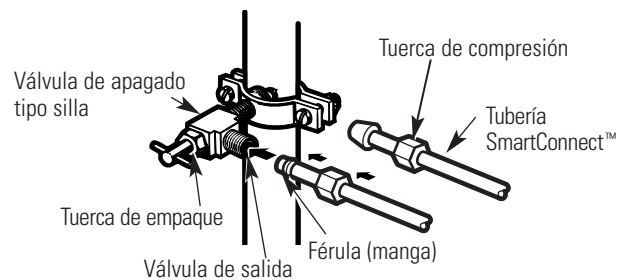
Rote la tubería a través de un orificio perforado en la pared o en el piso (detrás del refrigerador o del gabinete de la base adyacente) lo más cerca posible a la pared.

### 7 CONECTE LA TUBERÍA A LA VÁLVULA

Coloque la tuerca de compresión y férula para la tubería de cobre (manga) en el extremo de la tubería y conéctela a la válvula de apagado.

Asegúrese de que la tubería esté completamente insertada en la válvula. Apriete la tuerca de compresión firmemente.

Para tubería de plástico de un kit de tubería para el refrigerador SmartConnect™ de GE, inserte el extremo moldeado de la tubería en la válvula de apagado y apriete la tuerca de compresión hasta que esté firmemente apretada a mano, luego apriete un giro adicional con una llave. Apretar demasiado puede causar fugas.



**NOTA:** Se deberán seguir los Códigos 248CMR de Plomería para el Estado de Massachusetts. Las válvulas tipo silla son ilegales y su uso no está permitido en Massachusetts. Consulte con un plomero licenciado.

### 8 LAVE LA TUBERÍA

Abra el suministro principal de agua y lave la tubería hasta que el agua esté limpia.

Cierre el agua en la válvula después de que un cuarto (1 litro) se haya eliminado por la tubería.



Para completar la instalación del refrigerador, regrese al Paso 9 en *Instalación del refrigerador*.



Los refrigeradores más nuevos producen sonidos diferentes a los modelos más antiguos. Los refrigeradores modernos tienen más funciones y usan tecnología más reciente.

**¿Usted escucha lo que yo escucho? Estos sonidos son normales.**

**HMMMM...  
WHOOSH....**

- El nuevo compresor de alta eficiencia puede funcionar más rápido y durar más que el de su refrigerador anterior y puede escuchar un zumbido de tono alto o un sonido pulsante mientras opera.
- Puede escuchar un sonido de soplido cuando las puertas se cierran. Esto se debe a que la presión se está estabilizando dentro del refrigerador.

**¡WHIR!**



- Puede escuchar los ventiladores moviéndose a gran velocidad. Esto pasa cuando el refrigerador se conecta por primera vez, cuando las puertas se abren frecuentemente o cuando se guarda gran cantidad de alimentos en el refrigerador o en los compartimientos del congelador. Los ventiladores están ayudando a mantener las temperaturas correctas.
- Los ventiladores cambian la velocidad para suministrar enfriamiento óptimo y ahorrar energía.

**CHASQUIDOS, ESTALLIDOS,  
CRUJIDO**

- Puede escuchar sonidos como de crujido o estallidos cuando el refrigerador se conecta por primera vez. Esto pasa a medida que el refrigerador se enfría hasta la temperatura correcta.
- El control del congelador produce un chasquido cuando el compresor inicia o para.
- Expansión y contracción de las bobinas durante o después del ciclo de descongelación puede causar sonidos como de crujido o estallidos.
- En modelos con máquina de hielos, después de completar un ciclo de hacer hielo, se pueden escuchar los cubos de hielo cuando caen a la bandeja de hielos.
- En modelos con un dispensador, durante la distribución de agua, puede escuchar el movimiento de las líneas de agua a la distribución inicial y después la liberación del botón del dispensador.

**SONIDOS DE AGUA**



- El fluido del refrigerante a través de las bobinas puede producir un sonido de borboteo como de agua hirviendo.
- El agua que cae en el calentador de descongelación puede causar un chisporroteo, estallido o zumbido durante el ciclo de descongelación.
- Un ruido de agua cayendo se puede escuchar durante el ciclo de descongelación a medida que el hielo se derrite del evaporador y fluye hacia la bandeja de drenaje.
- El cierre de las puertas puede producir un sonido de gorgoteo debido a la estabilización de la presión.



Para información adicional sobre los ruidos normales de la máquina de hielos, consulte la sección **Sobre la máquina de hielos automática.**

## Antes de solicitar un servicio...





Solucionar problemas  
¡Ahorre tiempo y dinero! Revise las tablas en las siguientes páginas y tal vez no necesitará de solicitar un servicio.

Problema	Causas Posibles	Qué hacer
El refrigerador no funciona	Refrigerador en ciclo de descongelar.	• Espere 30 minutos para que la descongelación se termine.
	El refrigerador esté desconectado.	• Empuje la clavija completamente en el enchufe.
	Fusible fundido/interruptor de circuito roto.	• Reemplace el fusible o reajuste el interruptor.



## Antes de solicitar un servicio...

	Problema	Causas Posibles	Qué hacer
Seguridad	Vibraciones o sacudidas (una vibración ligera es normal)	Las patas niveladoras requieren un ajuste.	<ul style="list-style-type: none"> <li>• Vea <i>Cómo nivelar el refrigerador</i>.</li> </ul>
	Operación	El motor opera durante períodos prolongados o se arranca y se para con frecuencia. (Refrigeradores modernos con más espacio de almacenamiento y un congelador más grande requieren más tiempo de operación. Se arrancan y se paran a menudo para mantener temperaturas	Es normal cuando el refrigerador es recién instalado en su casa.
Ocurre cuando hay largas cantidades de alimentos en el refrigerador.		<ul style="list-style-type: none"> <li>• Eso es normal.</li> </ul>	
Se dejó abierta la puerta.		<ul style="list-style-type: none"> <li>• Revise si un paquete mantiene la puerta abierta.</li> </ul>	
Clima caluroso o aperturas frecuentes de la puerta.		<ul style="list-style-type: none"> <li>• Eso es normal.</li> </ul>	
Instalación	Compartimiento del refrigerador o congelador demasiado cálido	Controles de temperatura ajustados al punto más frío.	<ul style="list-style-type: none"> <li>• Vea <i>Los controles</i>.</li> </ul>
		Se ha activado la función TurboCool.	<ul style="list-style-type: none"> <li>• Esto es normal cuando la función TurboCool está activada. Ver <i>Sobre TurboCool</i> para más información.</li> </ul>
		El control de temperatura no se fijó bastante frío.	<ul style="list-style-type: none"> <li>• Vea <i>Los controles</i>.</li> </ul>
	Escarcha o cristales de hielo en alimentos congelados (escarcha en paquete es normal)	Clima caluroso o aperturas frecuentes de la puerta.	<ul style="list-style-type: none"> <li>• Fije el control de temperatura un paso más frío. Vea <i>Los controles</i>.</li> </ul>
		Se dejó abierta la puerta.	<ul style="list-style-type: none"> <li>• Revise si hay un paquete que mantiene la puerta abierta.</li> </ul>
		Se dejó abierta la puerta.	<ul style="list-style-type: none"> <li>• Revise si hay un paquete que mantiene la puerta abierta.</li> </ul>
Formación lenta del hielo	Apertura de puertas muy frecuente o muy prolongada.	<ul style="list-style-type: none"> <li>• Eso es normal.</li> </ul>	
	Se dejó abierta la puerta.	<ul style="list-style-type: none"> <li>• Revise si hay un paquete que mantiene la puerta abierta.</li> </ul>	
Solucionar problemas	La máquina de hielos automática no funciona	El control de temperatura no es bastante frío.	<ul style="list-style-type: none"> <li>• Vea <i>Los controles</i>.</li> </ul>
		La característica <i>Ice Off</i> (apagado hielo) está encendida.	<p><b>Modelos que no son de LCD:</b></p> <ul style="list-style-type: none"> <li>• Presione y libere el botón <b>ICE OFF/LOCK</b> (apagado hielo/trabado) en el panel de control para <b>apagar</b> la característica <i>Ice Off</i> (apagado hielo), y luego el ícono  desaparecerá.</li> </ul> <p><b>Modelos de LCD:</b></p> <ul style="list-style-type: none"> <li>• En la pantalla de LCD, seleccione <b>SETTING</b> (configuración), luego <b>SYSTEM</b> (sistema) para acceder a la máquina de hielo. Presione <b>ON</b> (encendido).</li> </ul>
		El suministro del agua está apagado o no está conectado.	<ul style="list-style-type: none"> <li>• Consulte la sección <i>Cómo instalar la tubería del agua</i>.</li> </ul>
		El compartimiento del congelador no es muy frío.	<ul style="list-style-type: none"> <li>• Espere 24 horas para que el refrigerador se enfríe completamente.</li> </ul>
		Hay cubos amontonados en el recipiente de almacenamiento que causan que la máquina de hielos se apague.	<ul style="list-style-type: none"> <li>• Nivele los cubos con la mano.</li> </ul>
Servicio al consumidor		Los cubos de hielo están obstruidos en la máquina de hielos.	<ul style="list-style-type: none"> <li>• <b>Apague</b> la máquina de hielos, retire los cubos y vuelva a encender la máquina de hielos.</li> </ul>

Problema	Causas Posibles	Qué hacer
Sonido de zumbido frecuente	La característica <b>Ice Off</b> (apagado hielo) está apagada, pero el suministro de agua hacia el refrigerador no ha sido conectado.	<p><b>Modelos que no son de LCD:</b></p> <ul style="list-style-type: none"> <li>Presione y libere el botón <b>ICE OFF/LOCK</b> (apagado hielo/trabado) en el panel de control para <b>encender</b> la característica Ice Off (apagado hielo), y luego podrá verse el ícono . Mantener la característica Ice Off dañará la válvula de agua.</li> </ul> <p><b>Modelos de LCD:</b></p> <ul style="list-style-type: none"> <li>En la pantalla de LCD, seleccione <b>SETTING</b> (configuración), luego <b>SYSTEM</b> (sistema) para acceder a la máquina de hielo.</li> </ul>
Cubos pequeños o huecos	Filtro de agua tapado.	<ul style="list-style-type: none"> <li>Reemplace el cartucho del filtro con uno nuevo o con el tapón.</li> </ul>
Los cubos tienen mal olor/sabor	<p>Alimentos transmitiendo olor/sabor a los cubos.</p> <p>El interior del refrigerador requiere limpieza.</p>	<ul style="list-style-type: none"> <li>Envuelva bien los alimentos.</li> <li>Vea <i>Cuidado y limpieza</i>.</li> <li>Mantenga una caja abierta de bicarbonato de sodio en el refrigerador; cámbiela cada tres meses.</li> </ul>
El refrigerador huele	<p>Alimentos transmitiendo olores al refrigerador.</p> <p>El interior requiere limpieza.</p>	<ul style="list-style-type: none"> <li>Alimentos con olores fuertes deben estar tapados.</li> <li>Guarde una caja de bicarbonato de sodio en el refrigerador; cámbiela cada tres meses.</li> <li>Vea <i>Cuidado y limpieza</i>.</li> </ul>
Se forma humedad en la superficie del refrigerador	No es extraño durante periodos de alta humedad.	<ul style="list-style-type: none"> <li>Seque la superficie con un paño suave y ajuste el control del refrigerador una marca más hacia lo frío.</li> <li><b>Apague</b> el modo Energy Saver (ahorro de energía).</li> </ul>
Humedad se forma al interior (en clima húmedo, el aire lleva la humedad al refrigerador cuando las puertas se abren)	Abrir la puerta con mucha frecuencia o por mucho tiempo.	<ul style="list-style-type: none"> <li>Eso es normal.</li> </ul>
La luz del compartimento del refrigerador o del congelador no funciona	<p>No hay corriente en el toma corriente.</p> <p>Bombilla quemada o suelta.</p>	<ul style="list-style-type: none"> <li>Reemplace el fusible o vuelva a iniciar el interruptor.</li> <li>Consulte la sección <i>Cómo reemplazar la bombilla</i>.</li> </ul>
Aire caliente de la parte de abajo del refrigerador	Motor de enfriamiento normal del flujo del aire. En el proceso de refrigeración, es normal que salga calor de la parte inferior del refrigerador. Algunas cubiertas de piso son sensibles y se decolorarán ante estas temperaturas normales y seguras.	<ul style="list-style-type: none"> <li>Mueva los alimentos lejos del ventilador.</li> </ul>
Congelamiento de alimentos en el refrigerador	<p>Los alimentos están muy cercanos al ventilador en la parte posterior del refrigerador.</p> <p>El control del refrigerador está en un nivel demasiado frío.</p>	<ul style="list-style-type: none"> <li>Mueva el control del refrigerador a una temperatura menos fría un incremento a la vez.</li> </ul>

Seguridad

Operación

Instalación

Solucionar problemas

Servicio al consumidor

## Antes de solicitar un servicio...

	Problema	Causas Posibles	Qué hacer
Seguridad	La puerta/gaveta no se cierra sola	Las patas niveladoras necesitan ajuste.	<ul style="list-style-type: none"> <li>• Consulte la sección <i>Instalación del refrigerador</i>.</li> </ul>
	El agua tiene un sabor/olor malo	El dispensador de agua no se uso por mucho tiempo.	<ul style="list-style-type: none"> <li>• Dispense el agua hasta que todo el sistema del agua se llene de nuevo.</li> </ul>
Operación	El agua en el primer vaso está tibia	Eso es normal con un refrigerador recién instalado.	<ul style="list-style-type: none"> <li>• Espere 24 horas para que se enfríe el refrigerador.</li> </ul>
		El dispensador de agua no se uso por mucho tiempo.	<ul style="list-style-type: none"> <li>• Dispense el agua hasta que todo el sistema del agua se llene de nuevo.</li> </ul>
		El sistema de agua se ha desaguado.	<ul style="list-style-type: none"> <li>• Espere algunas horas para que se enfríe el agua.</li> </ul>
	El dispensador de agua no funciona	Suministro de agua apagado o no conectado.	<ul style="list-style-type: none"> <li>• Vea <i>Instalar la línea de agua</i>.</li> </ul>
Instalación	El agua chorrea del dispensador	Filtro de agua tapado.	<ul style="list-style-type: none"> <li>• Reemplace el cartucho del filtro o remueve el filtro y instale el tapón.</li> </ul>
		Aire atrapado en el sistema del agua.	<ul style="list-style-type: none"> <li>• Presione el brazo del dispensador por un par de minutos.</li> </ul>
		El agua del depósito está congelada porque los controles están configurados a una temperatura muy baja.	<ul style="list-style-type: none"> <li>• Configure el control del refrigerador a una temperatura más elevada y espere 24 horas. Si no sale agua después de 24 horas, llame al servicio técnico.</li> </ul>
	No sale agua y el dispositivo para hacer hielo no funciona	Cartucho del filtro recién instalado.	<ul style="list-style-type: none"> <li>• Deje correr el agua desde el dispensador por 3 minutos (aprox. 1½ galóns).</li> </ul>
Solucionar problemas	El agua se está fugando del dispensador	Está tapada la línea de agua o la llave de paso.	<ul style="list-style-type: none"> <li>• Llame a un plomero.</li> </ul>
		Filtro de agua tapado.	<ul style="list-style-type: none"> <li>• Reemplace el cartucho del filtro o remueve el filtro y instale el tapón.</li> </ul>
		El cartucho del filtro no está instalado apropiadamente.	<ul style="list-style-type: none"> <li>• Remueva y reinstale el cartucho del filtro, cerciorándose de que encaja en su lugar. La cuchilla en el extremo del cartucho deberá colocarse verticalmente.</li> </ul>
Servicio al consumidor	El agua se está fugando del dispensador	El vaso no está siendo sostenido debajo del dispensador por suficiente tiempo después de que el botón es liberado.	<ul style="list-style-type: none"> <li>• Sostenga el vaso debajo del dispensador por 2 ó 3 segundos después de liberar el botón del dispensador. El agua podría continuar dispensándose después de que el botón sea liberado.</li> </ul>
		Puede haber aire presente en el sistema de la tubería del agua que causa que el agua gotee después de que el agua se haya dispensado.	<ul style="list-style-type: none"> <li>• Dispense agua por al menos 2 minutos para retirar el aire del sistema.</li> </ul>

<b>Problema</b>	<b>Causas Posibles</b>	<b>Qué hacer</b>
<i>La luz del indicador del filtro de agua cambió de color</i>	Esto es normal.	<ul style="list-style-type: none"> <li>• Ver <i>Sobre el filtro de agua</i> para más información.</li> </ul>
<i>La luz del indicador del filtro de agua continúa roja aún después de haber cambiado el filtro de agua</i>	El indicador de filtro de agua debe resetearse.	<p><b>Modelos que no son de LCD:</b></p> <ul style="list-style-type: none"> <li>• Presione y sostenga por 3 segundos la tecla <b>ICE &amp; WATER</b> (hielo y agua). Ver <i>Sobre el filtro de agua</i> para más información.</li> </ul> <p><b>Modelos de LCD:</b></p> <ul style="list-style-type: none"> <li>• En la pantalla de LCD, seleccione <b>SETTING</b> (configuración), luego <b>WATER FILTER</b> (filtro de agua). Seleccione <b>REPLACE</b> (reemplazar) y siga las instrucciones.</li> </ul>
<i>La luz del indicador del filtro de agua no está encendida</i>	Esto es normal. Si se enciende una luz de color naranja, se debe cambiar el filtro en poco tiempo. El cartucho del filtro debe cambiarse si se enciende una luz de color rojo.	<ul style="list-style-type: none"> <li>• Ver <i>Sobre el filtro de agua</i> para más información.</li> </ul>
<i>La manija está floja / la manija tiene una brecha</i>	La manija debe ajustarse.	<ul style="list-style-type: none"> <li>• Ver las secciones <i>Cómo sujetar la manija de la puerta de alimentos frescos</i> y <i>Cómo sujetar la manija del congelador</i> para información más detallada.</li> </ul>
<i>El refrigerador emite un sonido</i>	Esto es la alarma de la puerta.	<ul style="list-style-type: none"> <li>• Cierre la puerta.</li> </ul>
<i>El ajuste de control no está encendido (Modelos que no son de LCD)</i>	En algunos modelos, las bombillas en la parte superior del compartimiento del refrigerador alumbran los ajustes de control de la temperatura.	<ul style="list-style-type: none"> <li>• Si los ajustes de control no se alumbran, inspeccione para verificar si existe alguna bombilla quemada, y cambie si es necesario.</li> </ul>

Seguridad

Operación

Instalación

Solucionar problemas

Servicio al consumidor

# Garantía del Refrigerador. *(Para consumidores en los EE.UU.)*

Seguridad



Todos los servicios de garantía los proporcionan nuestros Centros de Reparación de Fábrica o nuestros técnicos Customer Care® autorizados. Para concertar una cita de reparación, en línea, visítenos al [ge.com](http://ge.com), o llame al 800.GE.CARES (800.432.2737). Cuando llame para solicitar servicio, por favor tenga a mano el número de serie y el número de modelo.

Grape aquí su recibo. Se requiere facilitar prueba de la fecha de compra original para obtener un servicio bajo la garantía.

**Por el período de:** GE reemplazará:

Operación

## MODELOS GE y GE PROFILE:

### Un año

A partir de la fecha de la compra original

**Cualquier parte** del refrigerador que falle debido a defectos en los materiales o en la fabricación. Durante esta **garantía limitada de un año**, GE también proporcionará, **sin costo alguno**, toda la mano de obra y el servicio relacionado—para reemplazar partes defectuosas.

### Treinta días

A partir de la fecha de compra original del refrigerador

**Cualquier parte** del cartucho de filtro de agua que falle debido a defectos en los materiales o manufactura. Durante esta **garantía limitada de treinta días**, GE también proporcionará **sin costo**, un cartucho de filtro de agua de repuesto.

## MODELOS DE GE PROFILE SOLAMENTE:

### Cinco años

A partir de la fecha de la compra original

**Cualquier parte del sistema sellado de refrigeración** (compresor, condensador, evaporador y tuberías de conexión) que fallen debido a defectos en los materiales o fabricación. Durante esta **garantía limitada de cinco años del sistema sellado de refrigeración**, GE también proporcionará, **sin costo alguno**, toda la mano de obra y el servicio relacionado para reemplazar partes defectuosas del sistema sellado de refrigeración.

Instalación

## Lo que GE no cubrirá:

- Viajes de servicio a su hogar para enseñarle cómo usar el producto.
- Instalación o entrega inapropiada, o mantenimiento impropio.
- Fallas del producto si hay abuso, mal uso, o uso para otros propósitos que los propuestos, o uso para fines comerciales.
- Pérdida de alimentos por averías.
- Causar daños después de la entrega.
- Reemplazo de fusibles de su hogar o reajuste de interruptores de circuito.
- Reemplazo del cartucho del filtro para agua, si incluidos, debido a presión de agua afuera de los límites de operación especificados o sedimento excesivo en el suministro de agua.
- Reemplazo de las bombillas, si incluidos, o los filtros de agua, si incluidos.
- Daño al producto causado por accidente, fuego, inundaciones, o actos de Dios.
- Daño incidental o consecuencial causado por posibles defectos con el aparato.
- Producto no accesible para facilitar el servicio requerido.

Solucionar problemas

**EXCLUSIÓN DE GARANTÍAS IMPLÍCITAS—Su único y exclusivo derecho es la reparación del producto, tal y como se indica en esta Garantía limitada. Cualquier garantía implícita, incluyendo las garantías implícitas de comerciabilidad o adecuación para un fin determinado, están limitadas a un año o el período de tiempo más breve permitido por la ley.**

Servicio al consumidor

Esta garantía se extiende al comprador original y cualquier comprador posterior de productos comprados para uso residencial dentro de Estados Unidos. Si el producto está situado en un área que no dispone de servicio por parte de un proveedor de servicio autorizado de GE, podría tener que hacerse cargo de los costes de envío o bien podría solicitársele que lleve el producto a una centro de servicio de GE autorizado para realizar la reparación. En Alaska, la garantía excluye el costo de envío o las visitas de servicio a su casa.

Algunos estados no permiten la exclusión o las limitaciones de daños incidentales o consecuenciales. Esta garantía da derechos legales específicos, y usted podría tener otros derechos que variarán de estado a estado. Para saber cuáles son sus derechos legales, consulte a la oficina de asuntos del consumidor local o la oficina del Attorney General en su localidad.



**Hoja de Datos de Funcionamiento**  
**Sistema de Filtración GE SmartWater**  
**Cartucho MWF**

**Este sistema se ha sometido a las pruebas NSF/ANSI 42/53 a fin de reducir las sustancias presentadas a continuación. Se redujo la concentración de las sustancias indicadas en el agua que ingresan en el sistema a una concentración menor o igual al límite permitido para el agua que sale del sistema, como se especifica en NSF/ANSI 42/53.\***

*(Factores de 100% incorporados para la utilización no medida)*

Estándar No. 42: Efectos estéticos								
Parámetros	USEPA MCL	Calidad del influente concentración	Promedio de influente	Effluent		% de reducción		Reducción mínima necesaria
				Promedio	Máximo	Promedio	Máximo	
Cloro	—	2,0 mg/L ± 10%	1,96 mg/L	0,06 mg/L	0,11 mg/L	96,77%	94,74%	> 50%
Sabor y olor	—	—	—	—	—	—	—	—
Partículas**	—	at least 10.000 particles/mL	6.400.000 #/mL	58.833 #/mL	150.000 #/mL	99,14%	97,97%	≥ 85%

Estándar No. 53: Efectos Relativos a la Salud								
Parámetros	USEPA MCL	Calidad del influente concentración	Promedio de influente	Effluent		% de reducción		Reducción mínima necesaria
				Promedio	Máximo	Promedio	Máximo	
Turbidez	0,5 NTU	11 ± 1 NTU***	10,5 NTU	0,14 NTU	0,28 NTU	98,54%	97,20%	0,5 NTU
Quistes	≥ 99,95% Reduction	Minimum 50.000 L	118.750 #/L	< 1 #/L	4 #/L	> 99,99%	> 99,99%	≥ 99,95%
Amianto	≥ 99% Reduction	10 <sup>7</sup> -10 <sup>8</sup> fibras/L; > 10µm	57 MF/L	0,996 MF/L	< 1 MF/L	99,60%	99,39%	≥ 99%
Plomo a pH 6,5	0,015 mg/L	0,15 mg/L ± 10%	0,1567 mg/L	< 0,001 mg/L	< 0,001 mg/L	99,36%	99,29%	0,010 mg/L
Plomo a pH 8,5	0,015 mg/L	0,15 mg/L ± 10%	0,1433 mg/L	< 0,001 mg/L	< 0,001 mg/L	99,30%	99,29%	0,010 mg/L
Mercurio a pH 6,5	0,002 mg/L	0,006 mg/L ± 10%	0,0059 mg/L	0,000350 mg/L	0,0007 mg/L	94,70%	87,50%	0,002 mg/L
Mercurio a pH 8,5	0,002 mg/L	0,006 mg/L ± 10%	0,0057 mg/L	0,000325 mg/L	0,0006 mg/L	93,20%	89,29%	0,002 mg/L
Alacloro	0,002 mg/L	0,04 mg/L ± 10%	0,0367 mg/L	0,00023 mg/L	0,0004 mg/L	99,34%	98,67%	0,002 mg/L
Lindano	0,0002 mg/L	0,002 mg/L ± 10%	0,0020 mg/L	< 0,00002 mg/L	< 0,00002 mg/L	99,00%	98,95%	0,0002 mg/L
2,4-D	0,070 mg/L	0,210 mg/L ± 10%	0,2033 mg/L	0,00337 mg/L	0,011000 mg/L	98,32%	94,50%	0,070 mg/L
Toxafeno	0,003 mg/L	0,015 mg/L ± 10%	0,0160 mg/L	0,00100 mg/L	0,001000 mg/L	93,44%	91,67%	0,003 mg/L
Benceno	0,005 mg/L	0,015 mg/L ± 10%	0,0145 mg/L	0,000500 mg/L	0,000500 mg/L	96,51%	95,83%	0,005 mg/L
Carbofurano	0,040 mg/L	0,080 mg/L ± 10%	0,0830 mg/L	0,001000 mg/L	0,001000 mg/L	98,78%	98,65%	0,04 mg/L
1,4 diclorobenceno	0,075 mg/L	0,225 mg/L ± 10%	0,2283 mg/L	0,000500 mg/L	0,000500 mg/L	99,78%	99,77%	0,075 mg/L
Atrazina	0,003 mg/L	0,009 mg/L ± 10%	0,0087 mg/L	< 0,0005 mg/L	< 0,0005 mg/L	94,22%	93,33%	0,003 mg/L

\* Probado utilizando una tasa de flujo de 0,5 gpm (1,8927 l/min.); presión de 60 psig (4,218 Kg/cm<sup>2</sup>); pH de 7,5 ± 0,5; temp. de 20° ± 3° C

\*\* Medición en partículas/ml. Las partículas usadas eran de 0,5-1 micrón.

\*\*\* Unidades de turbidez Nefelométrica—NTU

### Especificaciones de Operación

- ‡ Capacidad: certificado para hasta 300 galones (1135 litros); hasta seis meses para los modelos sin luz indicadora de reemplazo de filtro; hasta un año para los modelos con luz indicadora de reemplazo de filtro
- ‡ Requerimientos de presión: 40-120 psi (2,8-8,2 bar), sin choque
- ‡ Temperatura: 33°-100° F (0,6°-38° C)
- ‡ Tasa de flujo: 0,5 gpm (1,9 lpm)

### Requerimientos Generales de Instalación/Operación/Mantenimiento

- ‡ Lave el nuevo cartucho a la tasa máxima por 3 minutos para sacar el aire atrapado.
- ‡ Reemplace el cartucho cuando la luz indicadora parpadee o cuando se reduzca la tasa de flujo de agua en unidades que no incluyen indicador.

### Avisos Especiales

- ‡ Las instrucciones de instalación, las piezas, la información sobre la disponibilidad de servicio y la garantía estándar se incluyen con el producto al enviarlo.
- ‡ Este sistema de agua potable debe mantenerse conforme a las instrucciones del fabricante, incluyendo el reemplazo de los cartuchos.
- ‡ No se utiliza en los sitios donde el agua es de calidad microbiológicamente dudosa, ni con aguas de calidad desconocida, sin una desinfección adecuada antes o después del sistema; el sistema puede utilizarse con aguas desinfectadas que puedan contener quistes filtrables.
- ‡ Los contaminantes u otras sustancias que este sistema de tratamiento de agua puede remover o reducir, no están presentes, necesariamente, en su agua.
- ‡ Verifique el acatamiento de las leyes y reglamentos estatales y locales.
- ‡ Tome en cuenta que aunque las pruebas se realizaron bajo condiciones estándar de laboratorio, el resultado real puede variar. Los sistemas se deben instalar y operar de acuerdo con los procedimientos y las pautas que recomienda el fabricante.

Probado y Certificado según las normas ANSI/NSF 42 y 53 para la reducción de:

#### Estándar No. 42: Efectos Estéticos

Unidad química  
El sabor y olor de cloro  
Unidad de filtrado mecánico  
Reducción de partículas, Clase I

#### Estándar No. 53: Efectos sobre la salud

Unidad de reducción química  
Reducción de alacloro y atrazina  
Reducción del benceno y carbofurano  
Reducción de 1,4 diclorobenceno y 2,4-D  
Reducción de plomo y lindano  
Reducción de mercurio y toxafeno  
Unidad de filtrado mecánico  
Reducción de turbidez  
Reducción de quistes y asbestos



<i>Servicio al consumidor</i>	<i>Solucionar problemas</i>	<i>Instalación</i>	<i>Operación</i>	<i>Seguridad</i>
-------------------------------	-----------------------------	--------------------	------------------	------------------

**Notas.**

---



## Servicio al consumidor.

---



### *Página Web de GE Appliances*

**ge.com**

¿Tiene alguna pregunta sobre su electrodoméstico? ¡Pruebe la página Web de GE Appliances, cualquier día del año! Para mayor conveniencia y servicio más rápido, ya puede descargar los Manuales de los Propietarios, pedir piezas o incluso hacer una cita en línea para que vengan a realizar una reparación.



### *Solicite una reparación*

**ge.com**

El servicio de expertos GE está a tan sólo un paso de su puerta. ¡Entre en línea y solicite su reparación cuando le venga cualquier día del año! O llame al 800.GE.CARES (800.432.2737) durante horas normales de oficina.



### *Real Life Design Studio (Estudio de diseño para la vida real)*

**ge.com**

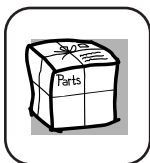
GE apoya el concepto de Diseño Universal—productos, servicios y ambientes que pueden usar gente de todas las edades, tamaños y capacidades. Reconocemos la necesidad de diseñar para una gran gama de habilidades y dificultades físicas y mentales. Para más detalles sobre las aplicaciones de GE Diseño Universal, incluyendo ideas de diseño para la cocina para personas con discapacidades, mire nuestra página Web hoy mismo. Para personas con dificultades auditivas, favor de llamar al 800.TDD.GEAC (800.833.4322).



### *Garantías ampliadas*

**ge.com**

Compre una garantía ampliada y obtenga detalles sobre descuentos especiales disponibles mientras su garantía está aún activa. Puede comprarla en línea en cualquier momento, o llamar al (800.626.2224) durante horas normales de oficina. GE Consumer Home Services estará aún ahí cuando su garantía termine.



### *Piezas y accesorios*

**ge.com**

Aquellos individuos con la calificación necesaria para reparar sus propios electrodomésticos pueden pedir que se les manden las piezas o accesorios directamente a sus hogares (aceptamos las tarjetas VISA, MasterCard y Discover). Haga su pedido en línea hoy, 24 horas cada día o llamar por teléfono al 800.626.2002 durante horas normales de oficina.

**Las instrucciones descritas en este manual cubren los procedimientos a seguir por cualquier usuario. Cualquier otra reparación debería, por regla general, referirse a personal calificado autorizado. Debe ejercerse precaución ya que las reparaciones incorrectas pueden causar condiciones de funcionamiento inseguras.**



### *Póngase en contacto con nosotros*

**ge.com**

Si no está satisfecho con el servicio que recibe de GE, póngase en contacto con nosotros en nuestra página Web indicando todos los detalles así como su número de teléfono o escríbanos a:

General Manager, Customer Relations  
GE Appliances, Appliance Park  
Louisville, KY 40225



### *Registre su electrodoméstico*

**ge.com**

¡Registre su nuevo electrodoméstico en línea—cuando usted prefiera! El registrar su producto a tiempo le proporcionará, si surgiera la necesidad, una mejor comunicación y un servicio más rápido bajo los términos de su garantía. También puede enviar su tarjeta de registro pre-impresa que se incluye en el material de embalaje o recorte y use el formulario de este Manual del Propietario.

# Consumer Support.

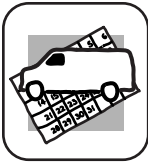
---



## GE Appliances Website

In the U.S.: [ge.com](http://ge.com)

Have a question or need assistance with your appliance? Try the GE Appliances Website, 24 hours, any day of the year! For greater convenience and faster service, you can now download Owner's Manuals, order parts or even schedule service on-line. **In Canada: [www.geappliances.ca](http://www.geappliances.ca)**



## Schedule Service

In the U.S.: [ge.com](http://ge.com)

Expert GE repair service is only one step away from your door. Get on-line and schedule your service at your convenience any day of the year! Or call 800.GE.CARES (800.432.2737) during normal business hours.

**In Canada, call 1.800.561.3344**



## Real Life Design Studio

In the U.S.: [ge.com](http://ge.com)

GE supports the Universal Design concept—products, services and environments that can be used by people of all ages, sizes and capabilities. We recognize the need to design for a wide range of physical and mental abilities and impairments. For details of GE's Universal Design applications, including kitchen design ideas for people with disabilities, check out our Website today. For the hearing impaired, please call 800.TDD.GEAC (800.833.4322).

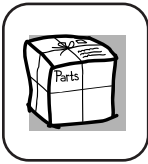
**In Canada, contact:** Manager, Consumer Relations, Mabe Canada Inc.  
Suite 310, 1 Factory Lane  
Moncton, N.B. E1C 9M3



## Extended Warranties

In the U.S.: [ge.com](http://ge.com)

Purchase a GE extended warranty and learn about special discounts that are available while your warranty is still in effect. You can purchase it on-line anytime, or call 800.626.2224 during normal business hours. GE Consumer Home Services will still be there after your warranty expires. **In Canada, call 1.888.261.2133**



## Parts and Accessories

In the U.S.: [ge.com](http://ge.com)

Individuals qualified to service their own appliances can have parts or accessories sent directly to their homes (VISA, MasterCard and Discover cards are accepted). Order on-line today, 24 hours every day or by phone at 800.626.2002 during normal business hours.

**Instructions contained in this manual cover procedures to be performed by any user. Other servicing generally should be referred to qualified service personnel. Caution must be exercised, since improper servicing may cause unsafe operation.**

Customers **in Canada** should consult the yellow pages for the nearest Mabe service center, or call 1.888.261.3055.



## Contact Us

In the U.S.: [ge.com](http://ge.com)

If you are not satisfied with the service you receive from GE, contact us on our Website with all the details including your phone number, or write to:

General Manager, Customer Relations  
GE Appliances, Appliance Park  
Louisville, KY 40225

**In Canada: [www.geappliances.ca](http://www.geappliances.ca), or write to:** Director, Consumer Relations, Mabe Canada Inc.  
Suite 310, 1 Factory Lane  
Moncton, N.B. E1C 9M3



## Register Your Appliance

In the U.S.: [ge.com](http://ge.com)

**Register your new appliance on-line—at your convenience!** Timely product registration will allow for enhanced communication and prompt service under the terms of your warranty, should the need arise. You may also mail in the pre-printed registration card included in the packing material. **In Canada: [www.geappliances.ca](http://www.geappliances.ca)**