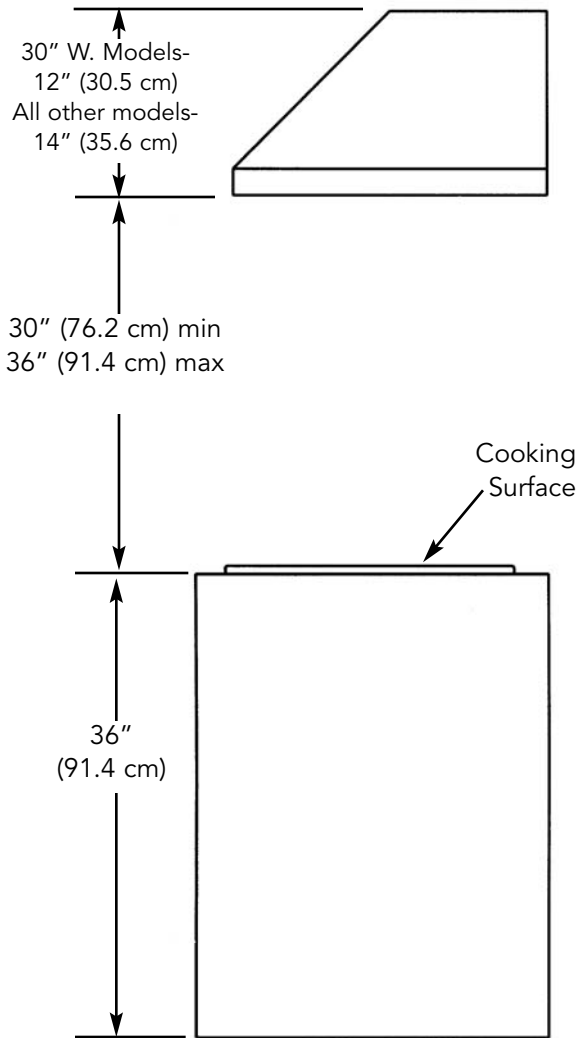


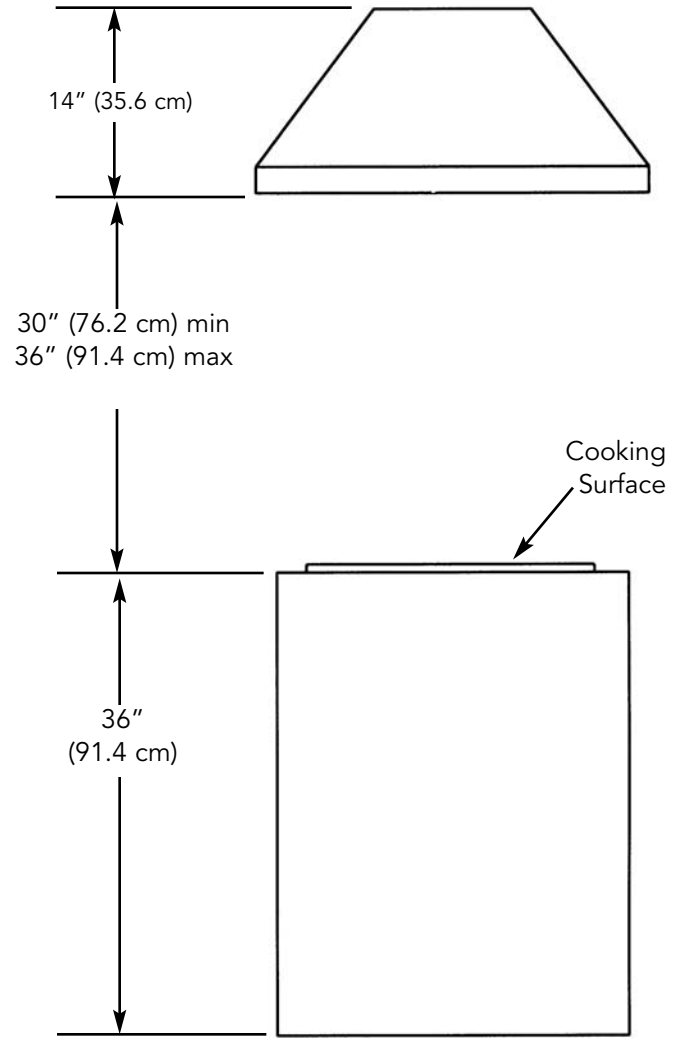
HEIGHT OF HOOD

The bottom of the hood should be 30" (76.2 cm) min. to 36" (91.4 cm) max above the countertop. This would typically result in the bottom of the hood being 66" (167.6 cm) to 72" (182.9 cm) above the floor. For best performance, it is recommended that the bottom of the hood be 30" (76.2 cm) to 33" (83.8 cm) above the countertop. These dimensions provide for safe and efficient operation of the hood.

WALL INSTALLATION



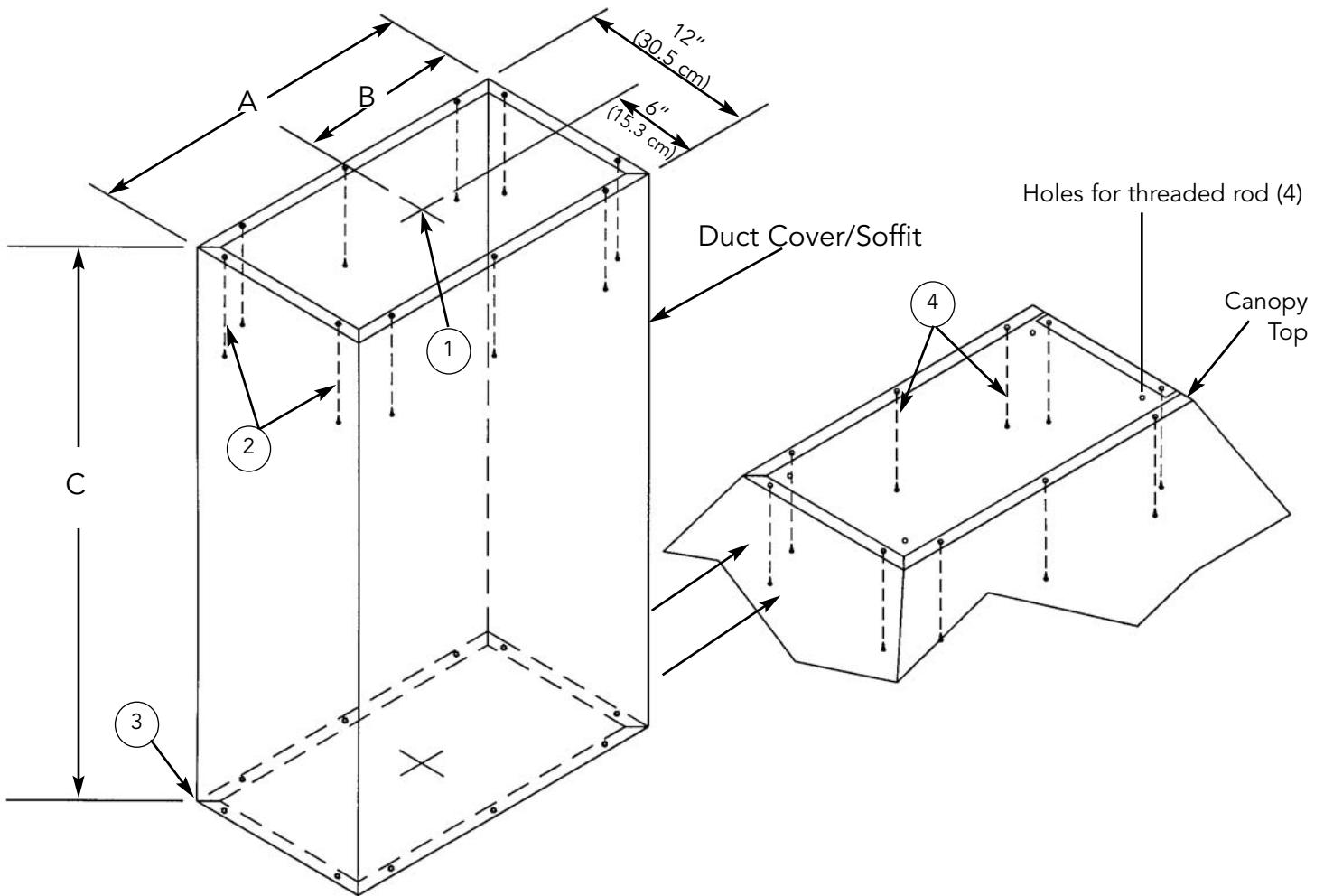
ISLAND INSTALLATION



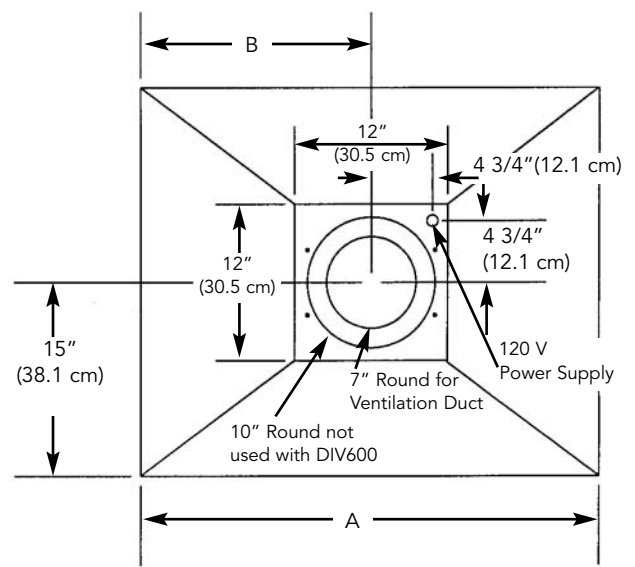
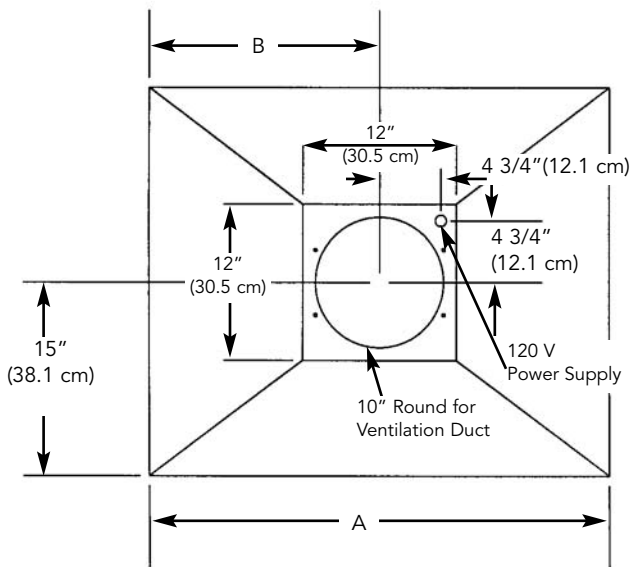
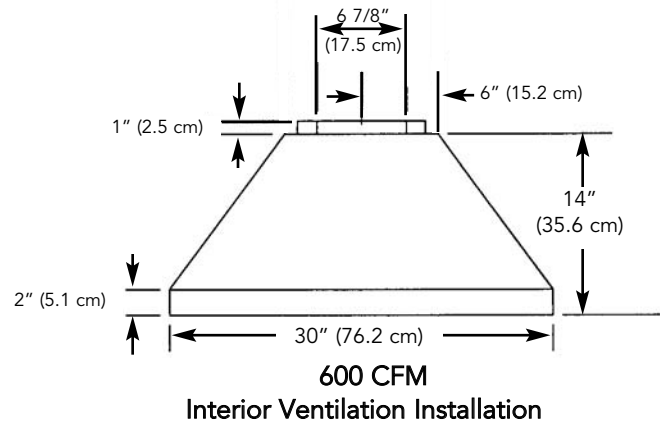
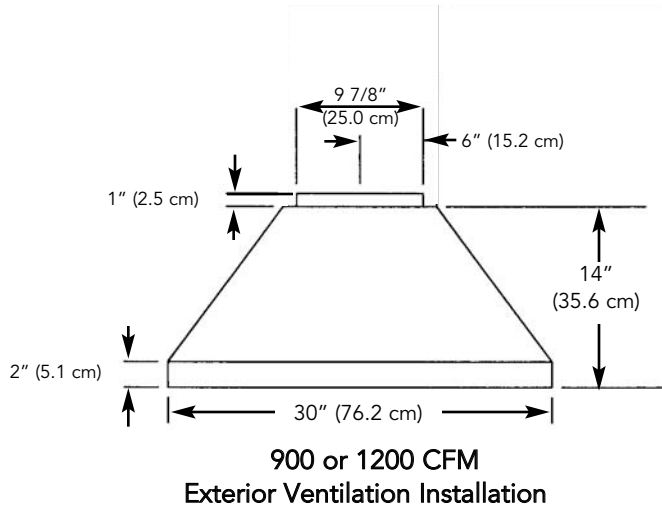
INSTALLING THE OPTIONAL DUCT COVER (ISLAND HOODS ONLY)

1. Cut hole in ceiling for correct diameter duct.
2. Attach duct cover/soffit to ceiling. Make sure there is enough support in the ceiling to support at least 200 lbs. (Center duct cover/soffit with duct opening)
3. Run duct work down to bottom edge of duct cover/soffit and secure in place. (Make sure the duct does not stick down past the cover/soffit.)
4. Attach duct cover/soffit to the top of the canopy with nuts and bolts provided. (Additional support can be added by running threaded rod from the ceiling to the top of the canopy at all four corners using the holes provided.)
5. Install blower (see ventilator kit installation).

	36"W. / 42"W.	54"W.
A	12" (30.5 cm)	18" (45.7 cm)
B	6" (15.3 cm)	9" (22.7 cm)
C	16" (40.6 cm), 28" (71.1 cm), or 40" (101.6 cm)	16" (40.6 cm), 28" (71.1 cm), or 40" (101.6 cm)

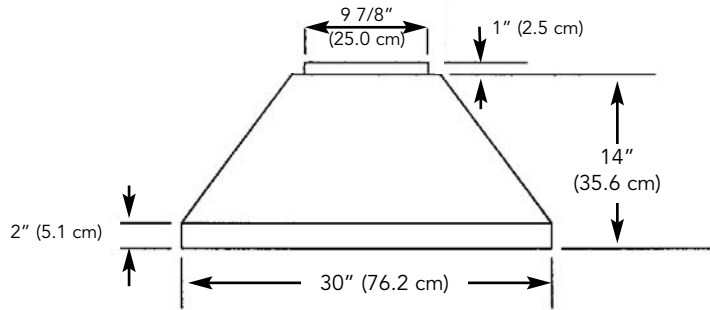


ISLAND HOOD DIMENSIONS
 36"W. AND 42"W. CLASSIC CHIMNEY ISLAND HOOD

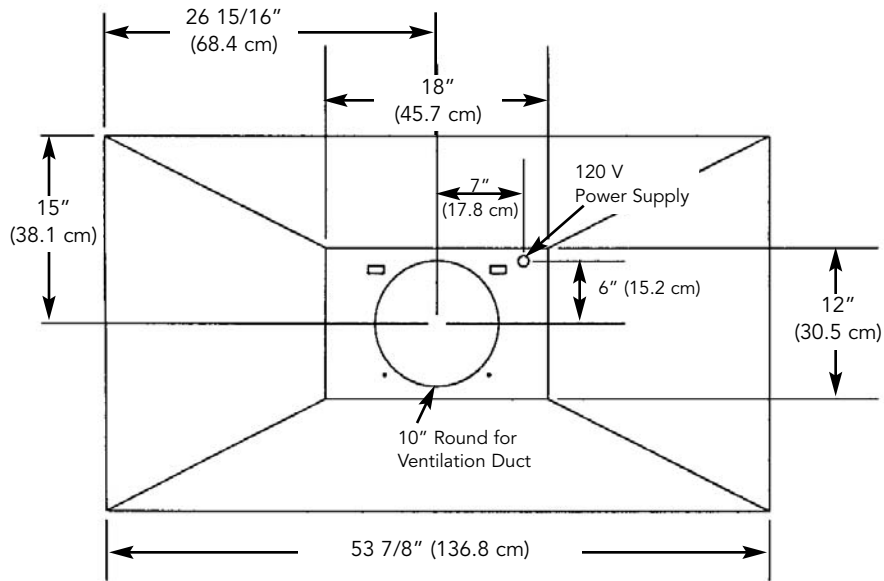


	36" W. Models	42" W. Models
A	35 7/8" (91.1 cm)	41 7/8" (106.4 cm)
B	17 15/16" (45.6 cm)	20 15/16" (53.2 cm)

ISLAND HOOD DIMENSIONS
 54"W. CLASSIC CHIMNEY ISLAND HOOD



1200 CFM Interior or Exterior
 1500 CFM Exterior
 Ventilation Installation



1200 CFM Interior or Exterior
 1500 CFM Exterior
 Ventilation Installation

BASIC SPECIFICATIONS
 INTERIOR AND EXTERIOR POWER HOODS

Wall Hoods

DESCRIPTION	RECOM. CFM ¹ (int.-interior; ext-exterior)	NUMBER OF HALOGEN LIGHTS	FILTERS	SPACERS	120VAC/60Hz MAX. AMPS ³ (Interior/Exterior)
30"W.	300 int./440 int./900 ext./1200 ext.	2	2	0	1.7/3.2/6.6/3.9
36"W.*	300 int./600 int./900 ext./1200 ext.	2	2	1	1.7/3.9/6.6/3.9
42"W.*	600 int./900 ext./1200 ext.	2	3	0	3.9/6.6/3.9
48"W.	1200 int./1200 ext./1500 ext.	3	3	0	7.3/4.3/5.1

Island Hoods

DESCRIPTION	RECOM. CFM ¹ (int.-interior; ext-exterior)	NUMBER OF HALOGEN LIGHTS	FILTERS	SPACERS	120VAC/60Hz MAX. AMPS ³ (Interior/Exterior)
36"W.*	600 int./900 ext./1200 ext.	4	2	1	3.9/6.6/3.9
42"W.*	600 int./900 ext./1200 ext./1500 ext.	4	2	1	4.7/7.4/4.8/5.5
54"W.	1200 int./1200 ext./1500 ext.	6	3	2	8.6/5.6/6.4

*1200 CFM (or 1500 CFM if applicable) exterior ventilator should be used when installed over ranges/rangetops with gas grill.

MODEL NUMBER	CFM ¹	RECOMMENDED DUCT SIZE	MAX. DUCT RUN ² (ft.)
For Use with hoods:			
DIV300 (interior)	300	7" round	50
DIV440 (interior)	440	7" round	50
DIV600 (interior)	600	7" round	50
DIV1200 (interior)	1200	10" round	50
DEV900 (exterior)	900	10" round	50
DEV1200 (exterior)	1200	10" round	50
DEV1500 (exterior)	1500	10" round	75

PROPER INSTALLATION/DUCTING IS EXTREMELY IMPORTANT TO ENSURE MAXIMUM PERFORMANCE FROM ANY VENTILATION PRODUCT

- All CFMs stated are based on tests at .1 static pressure: without applying static pressure, CFM would be greatly overstated.
- Duct run length is for general reference only; for longer duct runs, increase duct size and contact a qualified and trained installer.
 - Straight runs and gradual turns are best; for example, each 90° elbow is equivalent to 5-10 feet (1.52 - 3.05 cm) of straight run.
 - Never use flexible duct; it creates back pressure/air turbulence and greatly reduces performance.
 - Proper performance is dependent upon proper ducting; make sure that a qualified and trained installer is used.
 - Check with a qualified and trained installer or local codes for makeup air requirement, if any.
- Max. amp rating for hoods includes recommended ventilator kit rating; all products must be hard wired direct with 2-wire with ground.