

CABINET OR WALL CUTOUT

Cutout Dimensions

Height (A)	Minimum	16 3/4"	(42.5 cm)
	Maximum	17"	(43.2 cm)
Width (B)	Minimum	24 3/8"	(61.9 cm)
	Maximum	24 11/16"	(62.7 cm)
Depth (C)	Minimum	20"	(50.8 cm)

ELECTRICAL OUTLET LOCATION

Outlet should **NOT** be in the shaded area as indicated on Illustration 1.

NOTE 1: If the Depth (C) dimension is greater than 21" (53.3 cm), the outlet location may be in any area on the rear wall.

NOTE 2: The floor of the opening should be constructed of plywood strong enough to support the weight of the oven and floor load (approximately 100 pounds). The floor should be level for proper operation of the oven. Be sure to check the local building code as it may require that the opening be enclosed with side, ceiling and rear partition. The proper functioning of the oven does not require the enclosure.

MOUNTING TEMPLATE

1. Align the mounting template center line with the center of the cutout and the floor line with the floor of the cutout. Tape it into place.
2. For DMTK271, only predrill 4 holes marked "A" with a 1/16" drill bit. For DMTK301, only predrill 4 holes marked "B" with a 1/16" drill bit.
3. Remove template from the cabinet

BOTTOM DUCT ASSEMBLY

1. Place the Bottom duct in the opening. When the Bottom Duct Assembly is in the opening correctly, the flanges will be tightly against the lower edge of the opening. See Illustration 2.
2. Secure the Bottom Duct Assembly with the two (1-3/16") screws A. See Illustration 2.

Illustration 1

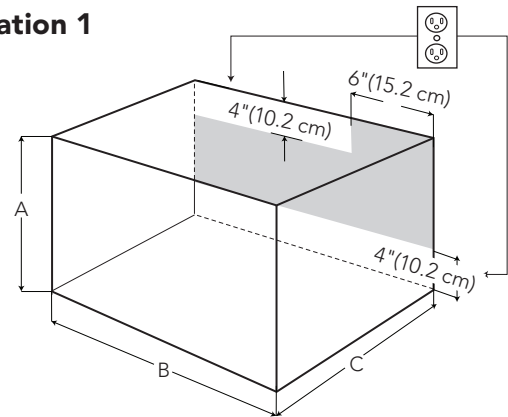


Illustration 2

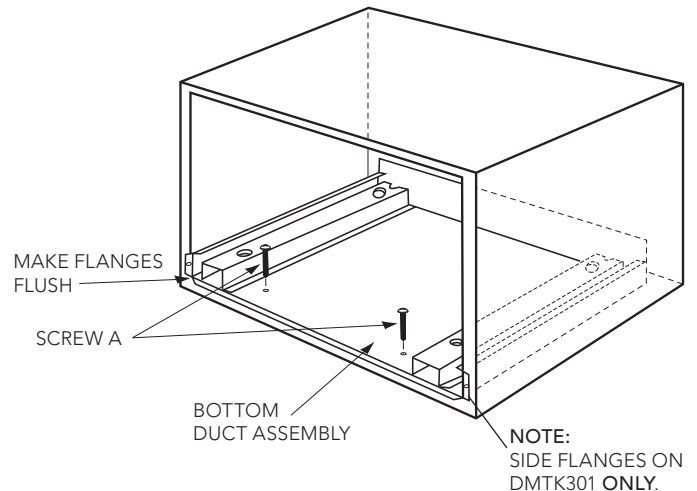
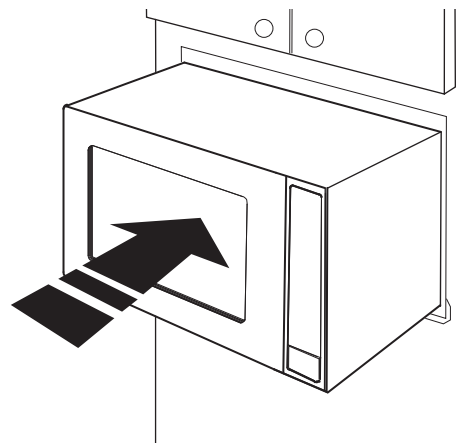


Illustration 3



CABINET INSTALLATION

1. Place the oven adjacent to the wall or cabinet opening. Plug the power cord into the electrical outlet.
2. Carefully guide the assembled oven into the prepared opening. Slide the oven on the Bottom Duct Assembly. See Illustration 3. Avoid pinching the cord between the oven and the wall. Adjust the position of the oven so that the feet of the oven are fitted into the recesses of the Bottom Duct Assembly. See Illustration 4.

FRAME INSTALLATION

Position the BACK FRAME to align with the predrilled holes that were drilled with the mounting template. Check that it is level and then secure with four SCREWS B. See Illustration 5.

Illustration 5

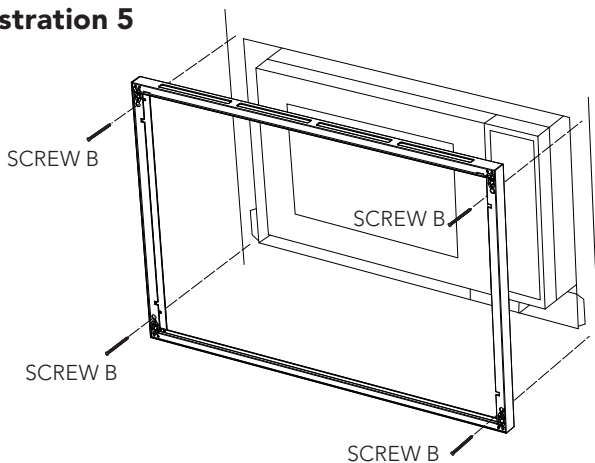
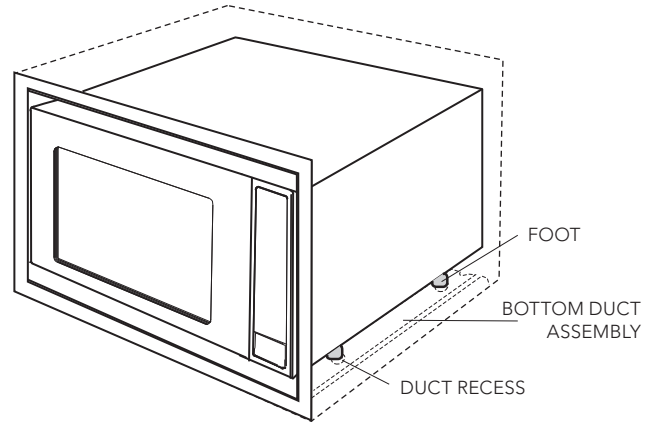
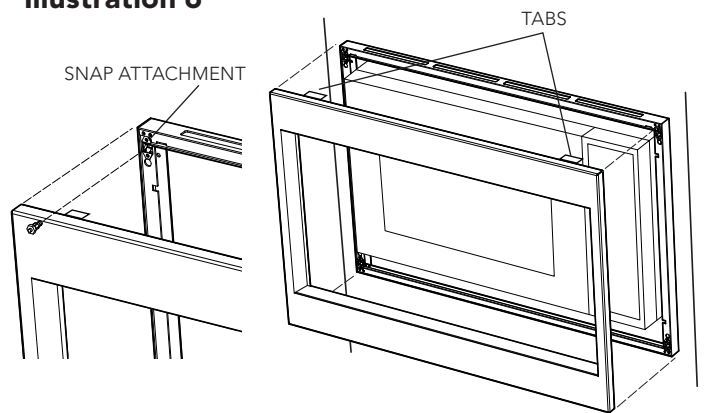


Illustration 4



Place the FRONT FRAME, with tabs on top, onto the BACK FRAME. Secure the FRONT FRAME to the BACK FRAME by firmly pushing the front frame onto the back frame engaging the four (4) snap attachments. See illustration 6.

Illustration 6

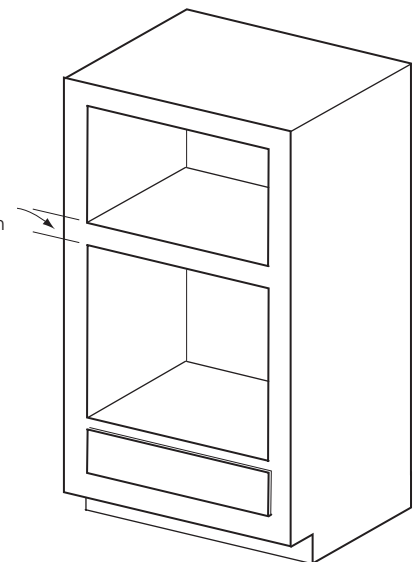


OVER OVEN INSTALLATION

See illustration 7.

Illustration 7

2" (5.1 cm) For 27" W and 30" W lower oven



BASIC SPECIFICATIONS

	Microwave Oven		Built-In Trim Kits			
	DMOS200		DMTK271	DMTK301		
Overall Width	24"	(60.9 cm)	26-1/2"	(67.3 cm)	29-1/2"	(74.9 cm)
Overall Height from Bottom	13-3/8"	(33.9 cm)	18-1/4"	(46.3 cm)	18-1/4"	(46.3 cm)
Overall Depth from Rear	19-1/4"	(48.9 cm)	N/A			
Oven Interior	Width	17-3/8"	(44.1 cm)	N/A		
	Height	10-1/2"	(26.6 cm)			
	Depth	18-5/8"	(47.3 cm)			
	Overall	2.0 cu. ft.				
Cutout Width	N/A		Min.	24-3/8"	(61.9 cm)	
			Max.	24-11/16"	(62.7 cm)	
Cutout Height	N/A		Min.	16-3/4"	(42.5 cm)	
			Max.	17"	(43.2 cm)	
Cutout Depth	N/A		Min.	20"	(50.3 cm)	
Electrical Requirements	120VAC/60 Hz		N/A			
Max. Amp Usage	1.5 KW	13 amps	N/A			
Approx. Shipping Wt.	46 lbs.	(20.9 kg)	14 lbs.	(6.5 kg)	15 lbs.	(6.9 kg)

Viking Range Corporation
 111 Front Street • Greenwood, Mississippi (MS) 38930 USA • (662) 455-1200

Specifications subject to change without notice.

For more product information, call 1-888-VIKING1 (845-4641), or visit our web site at <http://www.vikingrange.com>