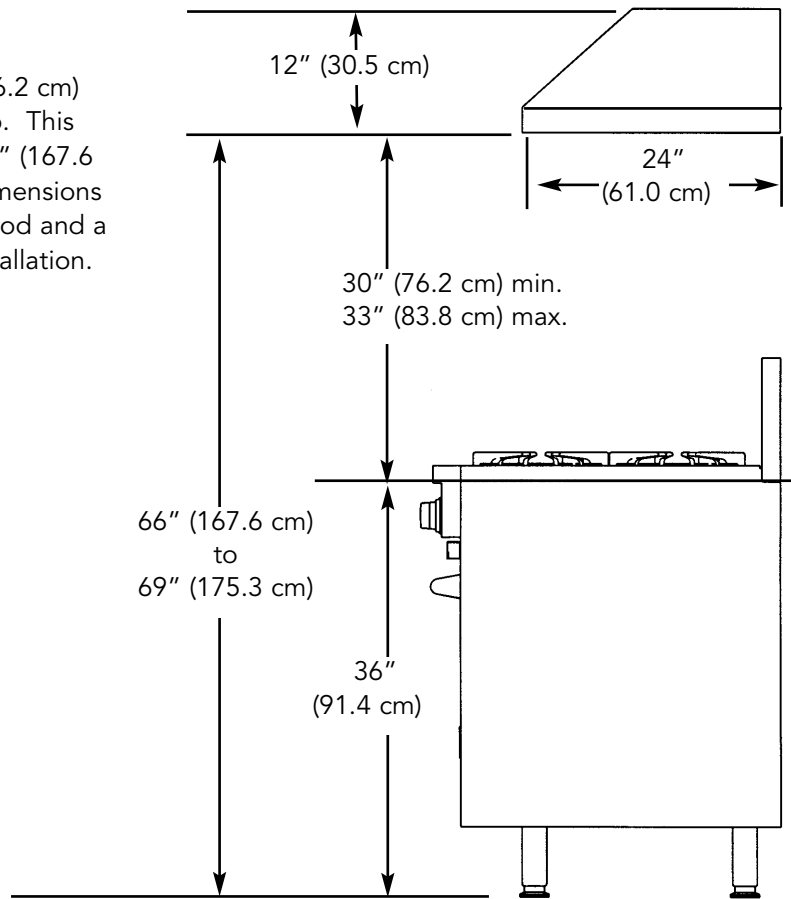


HEIGHT OF HOOD

The bottom of the hood should be 30" (76.2 cm) min. to 33" (83.8 cm) max. above the countertop. This would result in the bottom of the hood being 66" (167.6 cm) to 69" (175.3 cm) above the floor. These dimensions provide for safe and efficient operation of the hood and a more proportionately pleasing and attractive installation.

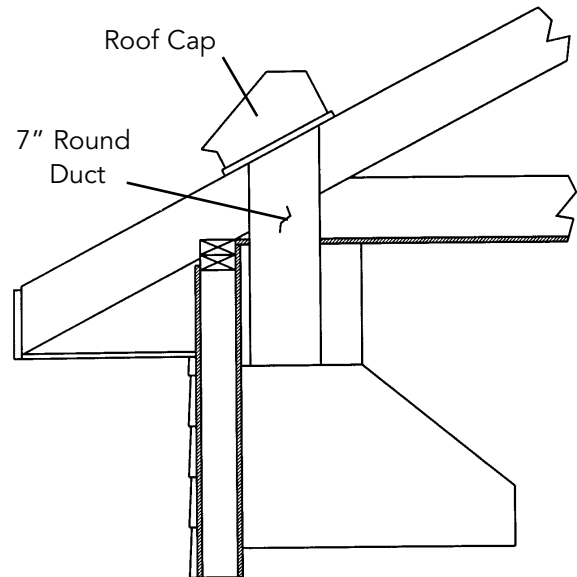


INSTALLATION

Plan where and how the ductwork will be located. Install proper-sized duct work, transition(s), elbow(s) and roof or wall cap.

Dimensions for the most common installations are shown ABOVE.

Adjust your measurements for various heights of ceilings, soffits, cabinets, or cooktops.

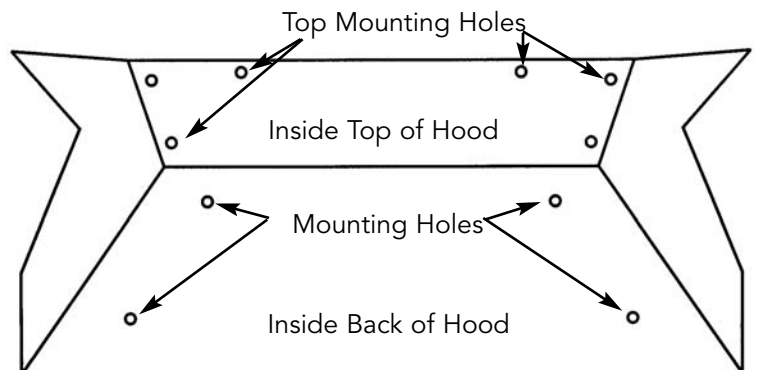


INSTALLING HOOD

Center hood over location and hold it against bottom of soffit or flue. Secure hood to wall with mounting screws.

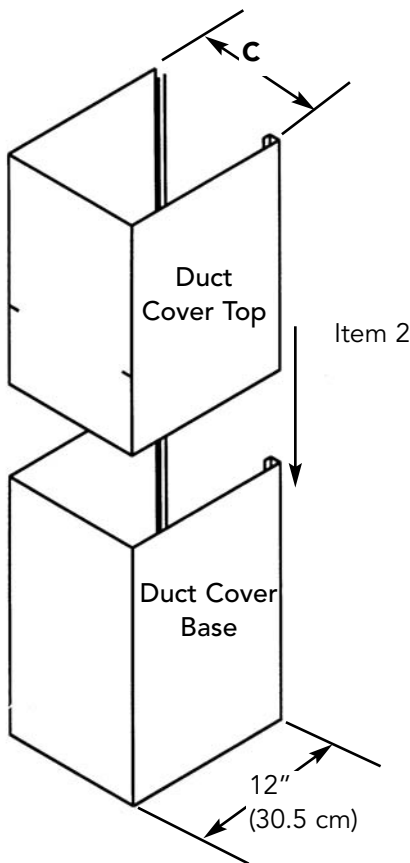
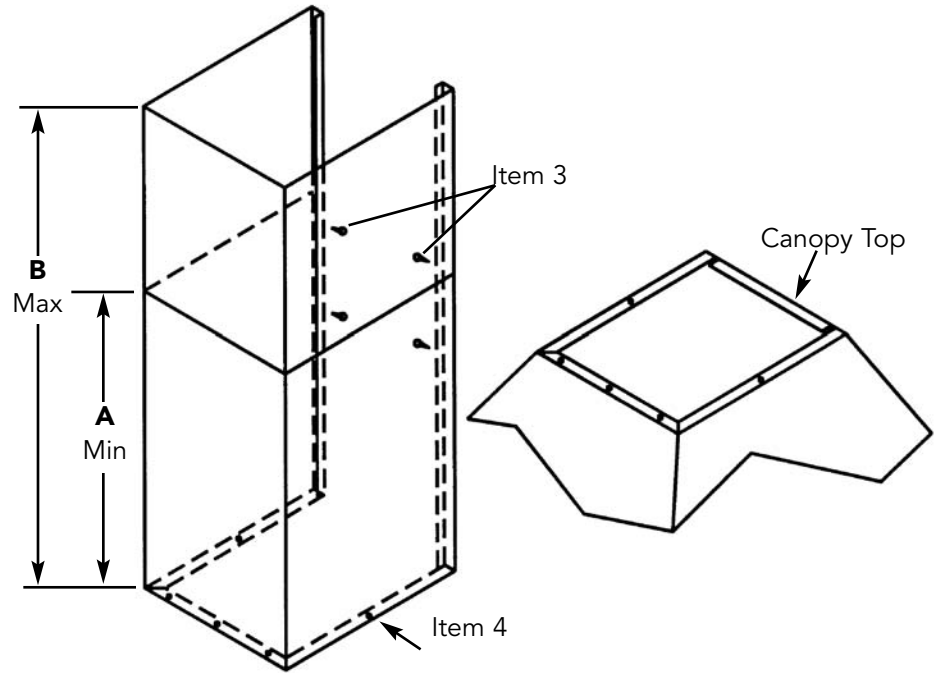
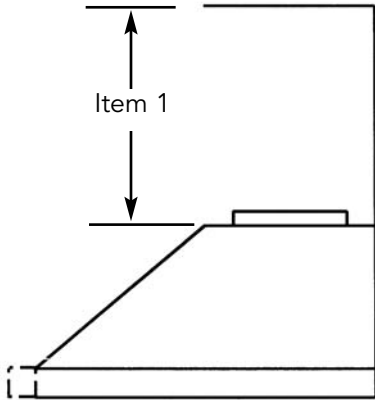
Use additional mounting screws and wall anchors if necessary.

NOTE: BECAUSE OF THE WEIGHT OF THE HOOD - MAKE SURE THAT THE SCREWS ARE DRIVEN INTO THE SOFFIT FRAMING AND NOT JUST THE DRYWALL.



INSTALLING THE OPTIONAL DUCT COVER

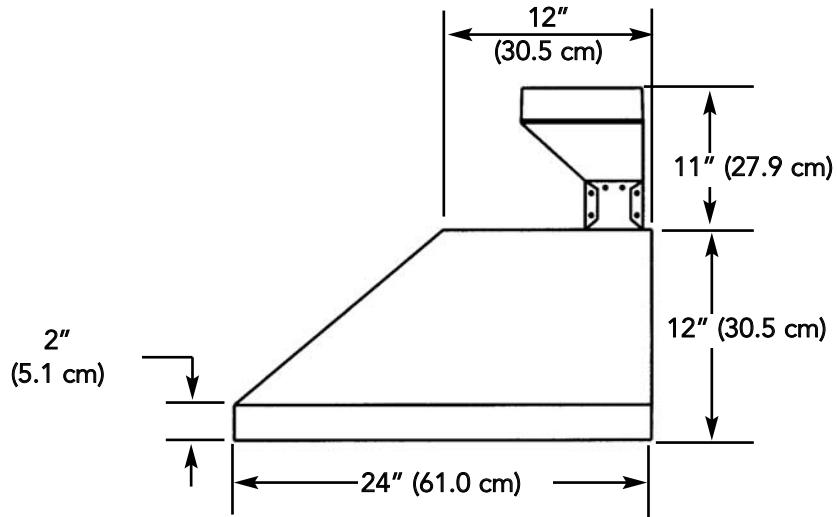
1. Measure from top of the canopy to ceiling and subtract 1/8" (0.3 cm) for clearance.
2. Place the duct cover top inside the duct cover base and lower until desired height is found. (To eliminate scratches, make a mark on the duct cover top for the desired lowering point by subtracting 18" (45.7 cm) from the total height needed.)
3. Use the retaining nuts and bolts to fasten in place.
4. Slide the duct cover in place and fasten from inside canopy using the sheet metal screws provided.
5. Note: For installations with ceilings above 9' (22.9 cm), use optional duct extensions. See product literature for details



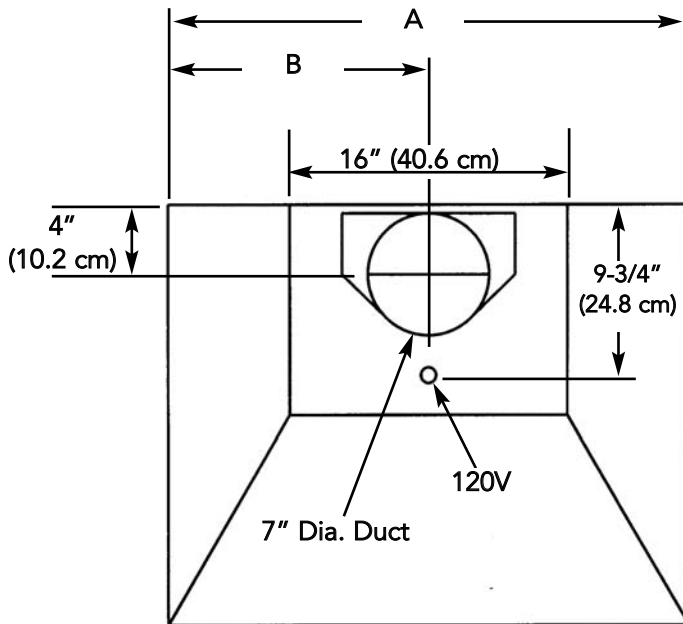
Model	"A" Min.	"B" Max	"C"
DCH3042	18" (45.7 cm)	30" (76.2 cm)	16" (40.6 cm)
DCH3642	18" (45.7 cm)	30" (76.2 cm)	16" (40.6 cm)

WALL HOOD DIMENSIONS

SIDE VIEW



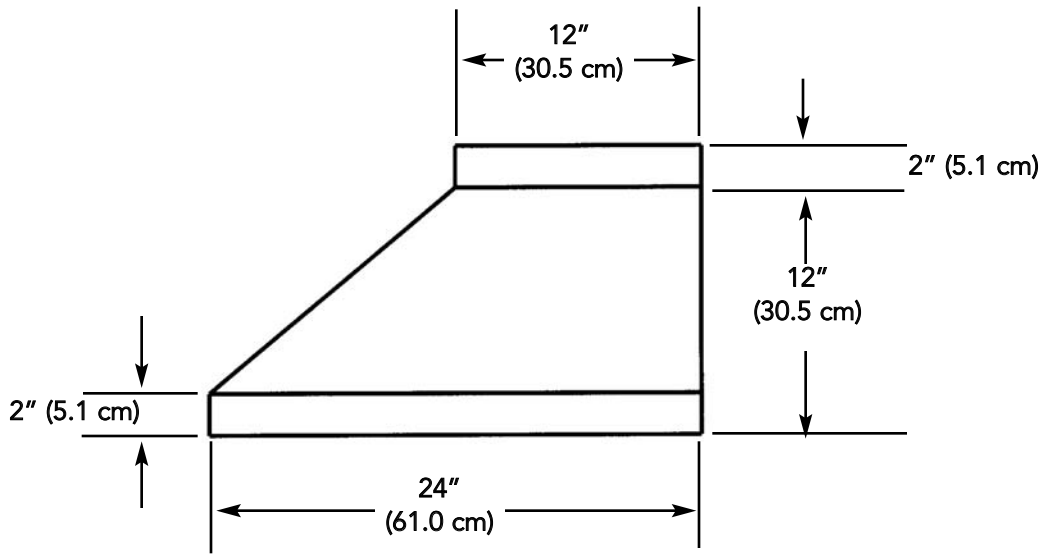
TOP VIEW



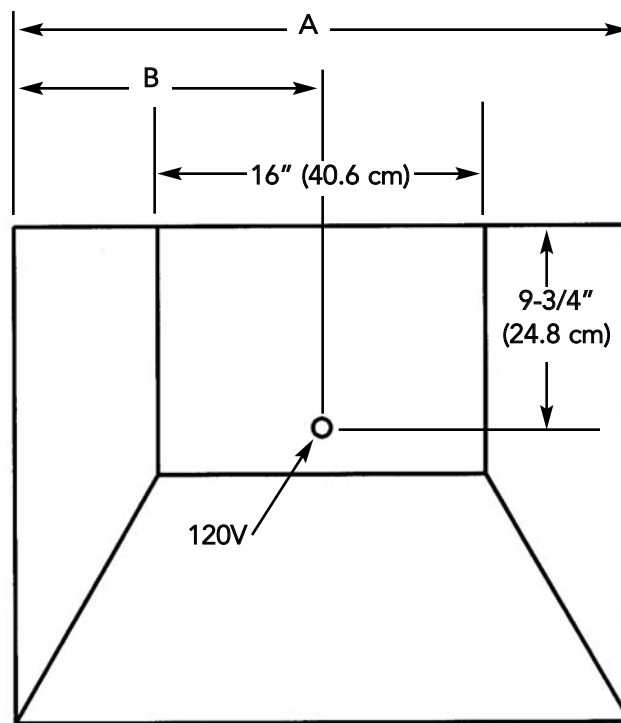
	A	B
30" W.	29-7/8" (75.9 cm)	14-15/16" (37.9 cm)
36" W.	35-7/8" (91.1 cm)	17-15/16" (45.6 cm)

RECIRCULATING WALL HOOD DIMENSIONS

SIDE VIEW



TOP VIEW



	A	B
30" W.	29-7/8" (75.9 cm)	14-15/16" (37.9 cm)
36" W.	35-7/8" (91.1 cm)	17-15/16" (45.6 cm)

**BASIC SPECIFICATIONS
12"H. CHIMNEY
HOODS**

Specifications	30" W. Model	36" W. Model
Exhaust Capacity	460 CFM	460 CFM
Blower Motors	1	1
Electrical Requirements (120VAC/60Hz)	5.6 amps	5.6 amps
Ducting Requirements*	7" (17.8 cm) round	7" (17.8 cm) round
Mesh Filters	2	2
Charcoal Filters**	2	2
Spacers	0	1
Halogen Lights (50W)	2	2

*Disregard when using recirculating kits

**Recirculating kits only

- Maximum duct run length: 50 Ft. (152.4 cm)
- All CFM's stated are based on tests with .1 static pressure; without applying static pressure (as some brands consciously do), CFM could be greatly overstated.
- Duct run length is for general reference only; for longer duct runs, increase duct size and contact a qualified and trained installer.
- Straight runs and gradual turns are best; avoid sharp turns; for example, each 90° elbow is equivalent to 5 - 10 feet (1.52 m - 3.05 m) of straight run.
- NEVER USE FLEXIBLE DUCT; It creates back pressure / air turbulence and greatly reduces performance.
- Proper performance is dependent upon proper ducting; make sure that a qualified and trained installer is used.
- Check with a qualified and trained installer or local codes for makeup air requirements, if any.