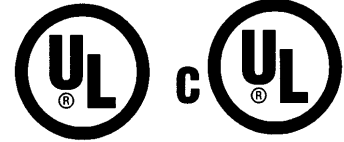


INSTALLATION INSTRUCTIONS

DESIGNER SERIES BUILT-IN CHIMNEY-STYLE HOODS

VIKING RANGE CORPORATION
111 FRONT STREET
GREENWOOD, MISSISSIPPI 38930 USA
(662) 455-1200



NOTE: IF INSTALLING HOOD WITH WARMING SHELF PANEL, INSTALL WARMING SHELF PANEL FIRST.

IMPORTANT - PLEASE READ AND FOLLOW

- Before beginning, please read these instructions completely and carefully.
- Do not remove permanently affixed labels, warnings, or plates from the product. This may void the warranty.
- Please observe all local and national codes and ordinances. If no local codes are applicable, wire in accordance with the National Electrical Code, ANSI/NFPA 70-latest edition.
- Check with a qualified and trained installer or local codes for makeup air requirement, if any.
- **The installer should leave these instructions with the consumer who should retain for local inspector's use and for future reference.**

This hood is for residential installation only and is not designed for installation over a commercial product. Make sure power is off at the main circuit breaker or fuse box before making connections. **To avoid risk of fire, electric shock, or injury to persons, turn off the electricity to the hood from the power supply before servicing or cleaning.**

Viking hoods are equipped with variable speed controls for blowers. These units will not function with a single speed ventilator. All Viking Range ventilator kits are designed specifically for use with Viking Range hoods. Use of any non-Viking Range ventilator kit will void the hood warranty.

WARNING

TO REDUCE THE RISK OF FIRE, ELECTRICAL SHOCK, OR INJURY TO PERSONS, RANGEHOODS MUST BE INSTALLED WITH THE VENTILATORS THAT ARE SPECIFIED ON THEIR CARTON INDICATING SUITABILITY WITH THIS MODEL. OTHER VENTILATORS CANNOT BE SUBSTITUTED.

WARNING

TO REDUCE THE RISK OF FIRE, ELECTRICAL SHOCK, OR INJURY TO PERSONS, OBSERVE THE FOLLOWING:

1. Installation work and electrical wiring must be done by qualified person(s) in accordance with all applicable codes and standards, including fire-rated construction.
2. Sufficient air is needed for proper combustion and exhausting of gases through the flue (chimney) of fuel burning equipment to prevent back drafting. Follow the heating equipment manufacturer's guideline and safety standards such as those published by the National Fire Protection Association (NFPA), and the American Society for Heating, Refrigeration and Air Conditioning Engineers (ASHRAE), and the local code authorities.
3. When cutting or drilling into wall or ceiling, do not damage electrical wiring and other hidden utilities.
4. Ducted fans must always be vented to the outdoors.
5. **WARNING!** To reduce the risk of fire, use only metal ductwork.
6. **CAUTION!** To reduce risk of fire and to properly exhaust air, be sure to duct air outside. Do not vent exhaust air into spaces within walls or ceilings, or into attics, crawl spaces, or garages.

WARNING

TO REDUCE THE RISK OF A RANGETOP GREASE FIRE:

1. Never leave surface units unattended at high setting. Boilovers cause smoking and greasy spillovers that may ignite. Heat oils slowly on low or medium settings.
2. Always turn hood ON when cooking at high heat or when cooking flaming foods.
3. Clean ventilating fans frequently. Grease should not be allowed to accumulate on fan or filter.
4. Use proper pan size. Always use cookware appropriate for the size of the surface element.

CAUTION

For general ventilating use only. Do not use to exhaust hazardous or explosive materials and vapors.

BASIC SPECIFICATIONS INTERIOR AND EXTERIOR POWER HOODS

Wall Hoods

DESCRIPTION	RECOM. CFM ¹ (int.-interior; ext-exterior)	NUMBER OF HALOGEN LIGHTS	FILTERS	SPACERS	120VAC/60Hz MAX. AMPS ³ (Interior/Exterior)
30"W.	300 int./440 int./900 ext./1200 ext.	2	2	0	1.7/3.2/6.6/3.9
36"W.*	300 int./600 int./900 ext./1200 ext.	2	2	1	1.7/3.9/6.6/3.9
42"W.*	600 int./900 ext./1200 ext.	2	3	0	3.9/6.6/3.9
48"W.	1200 int./1200 ext./1500 ext.	3	3	0	7.3/4.3/5.1

Island Hoods

DESCRIPTION	RECOM. CFM ¹ (int.-interior; ext-exterior)	NUMBER OF HALOGEN LIGHTS	FILTERS	SPACERS	120VAC/60Hz MAX. AMPS ³ (Interior/Exterior)
36"W.*	600 int./900 ext./1200 ext.	4	2	1	3.9/6.6/3.9
42"W.*	600 int./900 ext./1200 ext./1500 ext.	4	2	1	4.7/7.4/4.8/5.5
54"W.	1200 int./1200 ext./1500 ext.	6	3	2	8.6/5.6/6.4

*1200 CFM (or 1500 CFM if applicable) exterior ventilator should be used when installed over ranges/range-tops with gas grill.

MODEL NUMBER	CFM ¹	RECOMMENDED DUCT SIZE	MAX. DUCT RUN ² (ft.)
For Use with hoods:			
DIV300 (interior)	300	7" round	50
DIV440 (interior)	440	7" round	50
DIV600 (interior)	600	7" round	50
DIV1200 (interior)	1200	10" round	50
DEV900 (exterior)	900	10" round	50
DEV1200 (exterior)	1200	10" round	50
DEV1500 (exterior)	1500	10" round	75

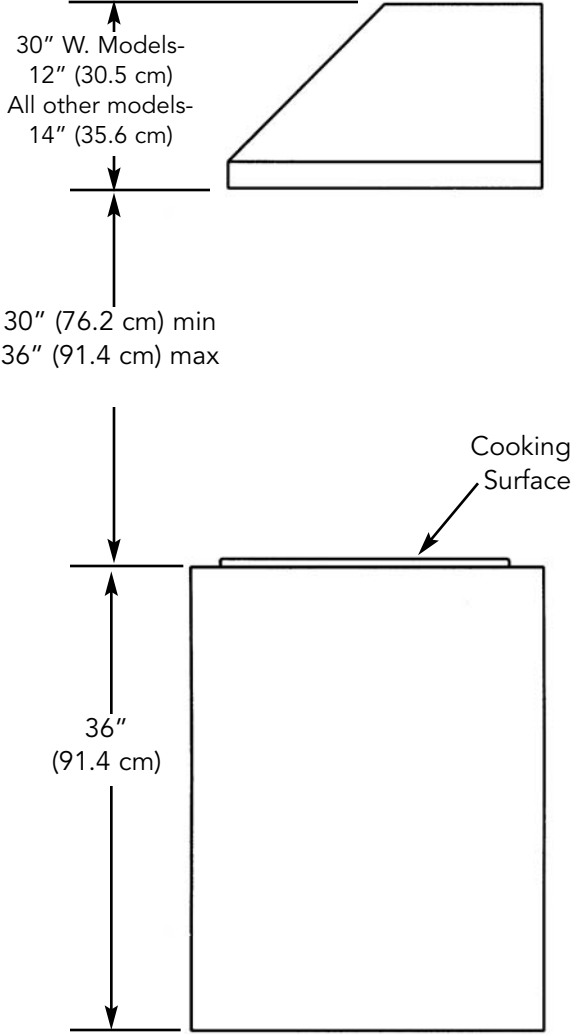
PROPER INSTALLATION/DUCTING IS EXTREMELY IMPORTANT TO ENSURE MAXIMUM PERFORMANCE FROM ANY VENTILATION PRODUCT

- All CFMs stated are based on tests at .1 static pressure: without applying static pressure, CFM would be greatly overstated.
- Duct run length is for general reference only; for longer duct runs, increase duct size and contact a qualified and trained installer.
 - Straight runs and gradual turns are best; for example, each 90° elbow is equivalent to 5-10 feet (1.52 - 3.05 cm) of straight run.
 - Never use flexible duct; it creates back pressure/air turbulence and greatly reduces performance.
 - Proper performance is dependent upon proper ducting; make sure that a qualified and trained installer is used.
 - Check with a qualified and trained installer or local codes for makeup air requirement, if any.
- Max. amp rating for hoods includes recommended ventilator kit rating; all products must be hard wired direct with 2-wire with ground.

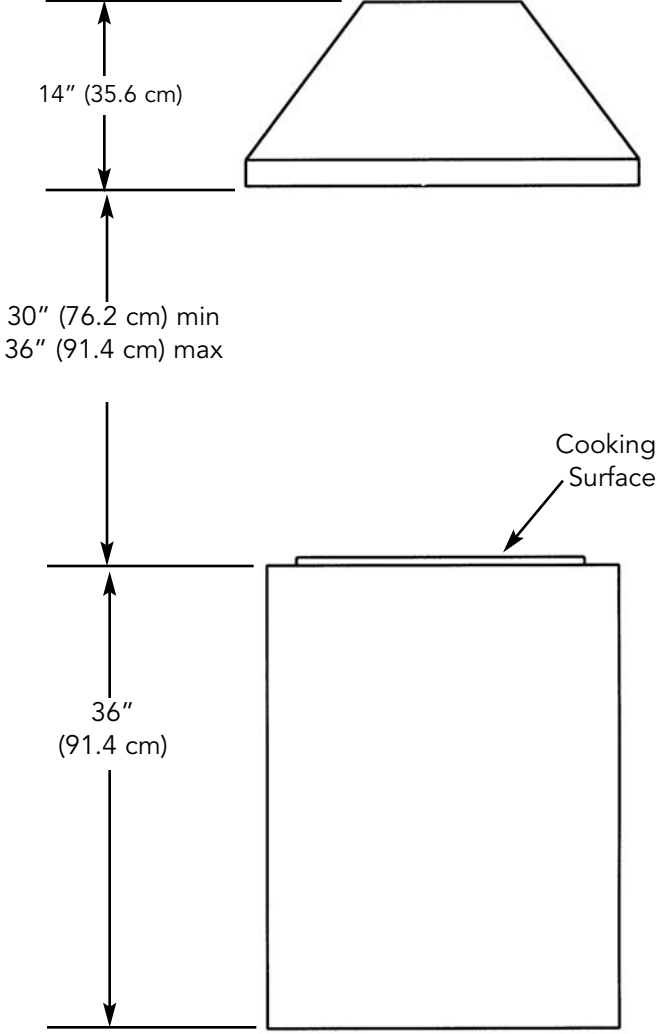
HEIGHT OF HOOD

The bottom of the hood to should be 30" (76.2 cm) min. to 36" (91.4 cm) max above the countertop. This would typically result in the bottom of the hood being 66" (167.6 cm) to 72" (182.9 cm) above the floor. For best performance, it is recommended that the bottom of the hood be 30" (76.2 cm) to 33" (83.8 cm) above the countertop. These dimensions provide for safe and efficient operation of the hood.

WALL INSTALLATION



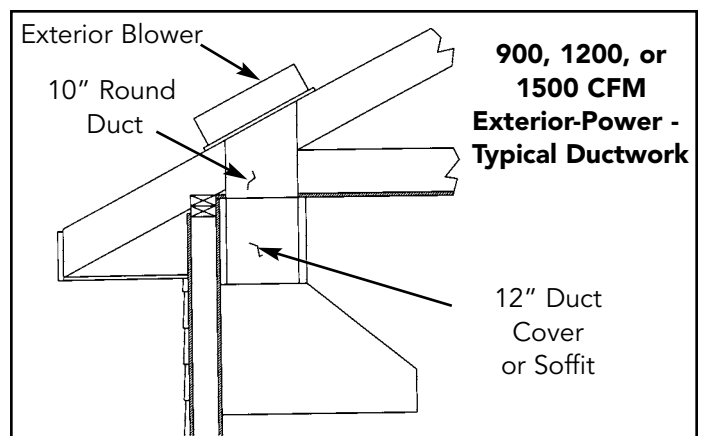
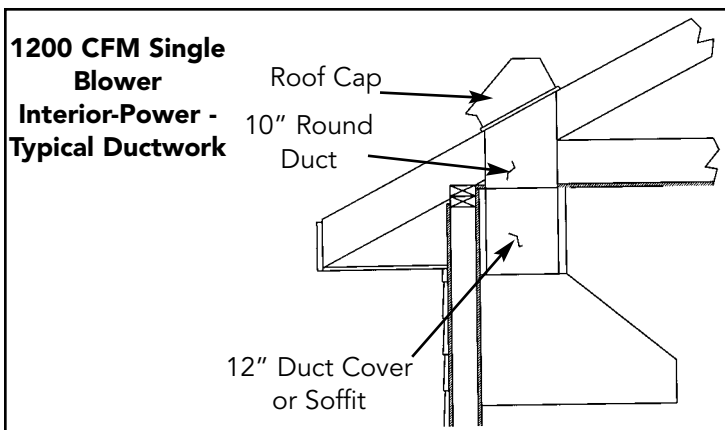
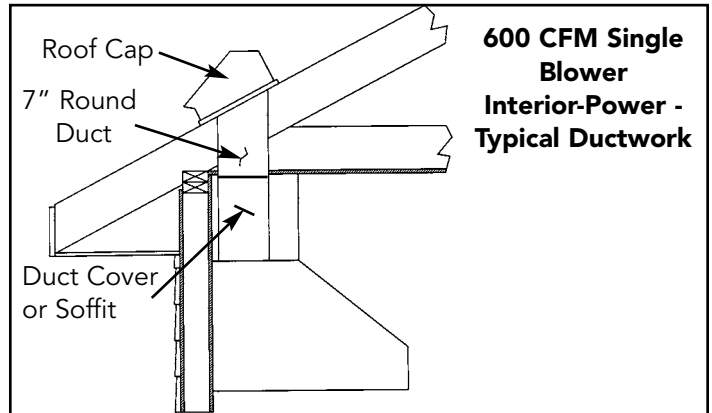
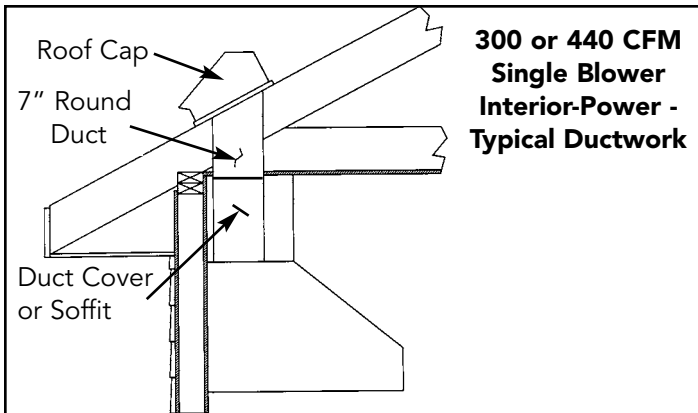
ISLAND INSTALLATION



PREPARING FOR HOOD INSTALLATION

Plan where the ductwork will be located. See pages 11-14 for rough-in dimensions. Install proper-sized duct work, and roof or wall cap for the type of blower you are using. Recommended hood locations for the most common installations are shown on page 2.

Adjust your measurements for various heights of ceilings, soffits, cabinets, or ranges/rangetops.



ELECTRICAL SUPPLY

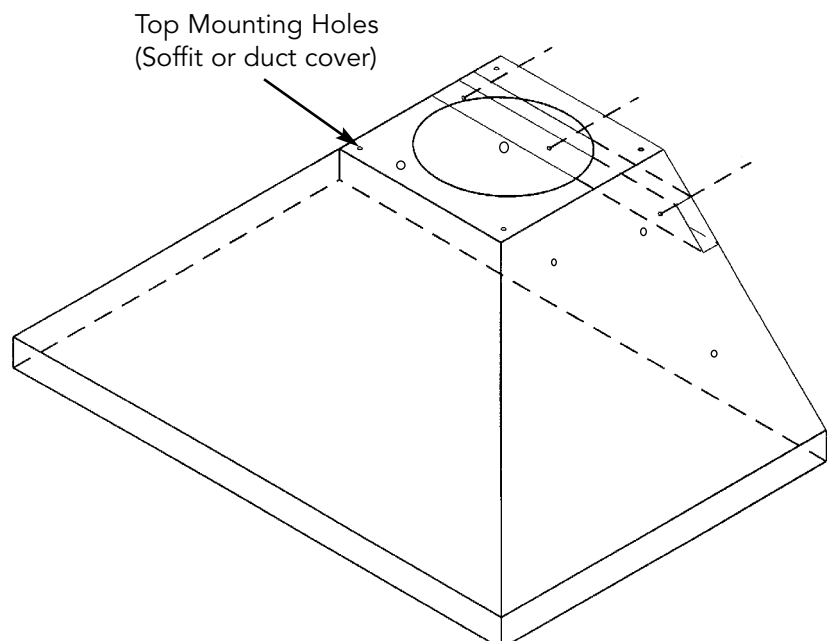
Run 120 VAC electrical power cable from service panel to installation location. See "Basic Specifications" on page 15 for the maximum amp requirements.

INSTALLING HOOD CANOPY

(Before installing island hood canopy - skip to page 5)

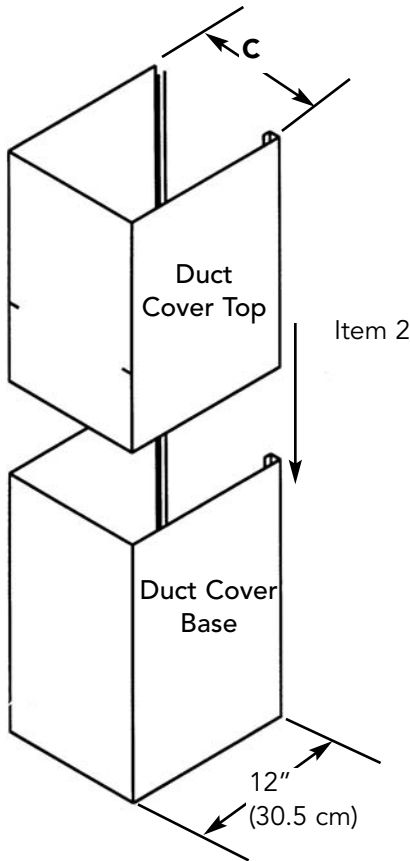
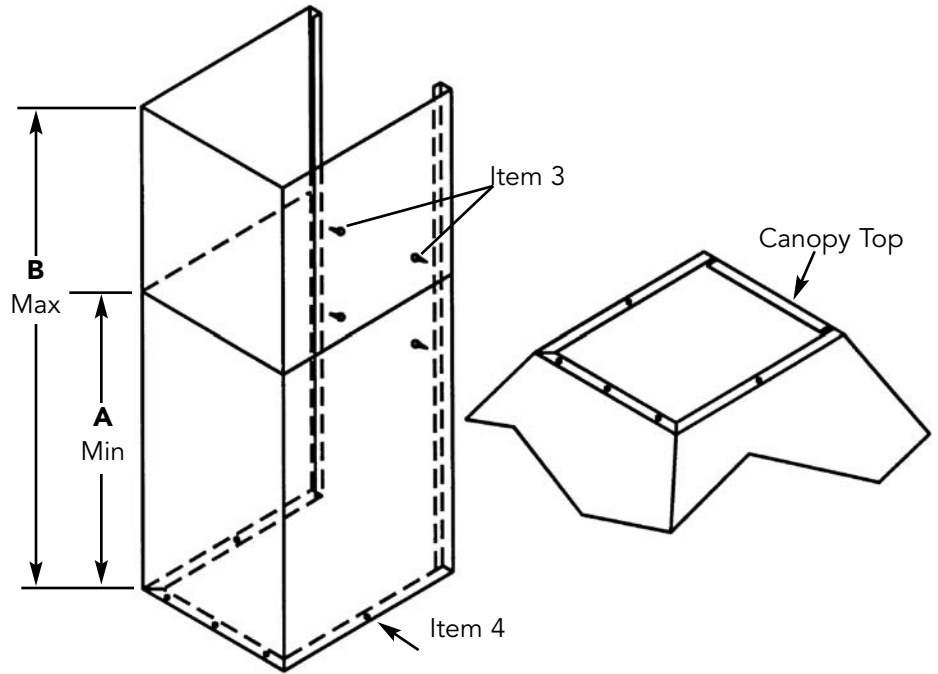
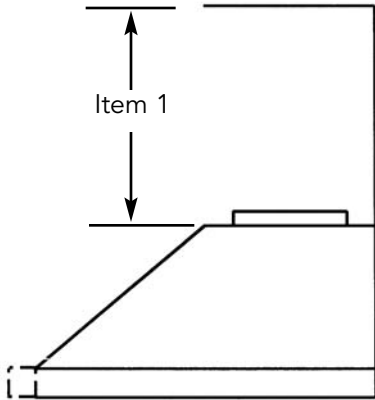
Center the canopy and attach to wall. Secure the hood to wall with mounting screws provided. Make sure that the mounting screws are driven into the framing and not just the drywall. Use additional mounting screws (and wall anchors if necessary) in the other holes.

NOTE: BECAUSE OF THE WEIGHT OF THE HOOD - MAKE SURE THAT THE MOUNTING SCREWS ARE DRIVEN INTO THE FRAMING AND NOT JUST THE DRYWALL. IT MAY BE NECESSARY TO DRILL ADDITIONAL HOLES IN THE CANOPY FOR PROPER ALIGNMENT.



INSTALLING THE DUCT COVER (wall hoods only)

1. Measure from top of the canopy to ceiling and subtract 1/8" (0.3 cm) for clearance.
2. Place the duct cover top inside the duct cover base and lower until desired height is found. (To eliminate scratches, make a mark on the duct cover top for the desired lowering point by subtracting 18" (45.7 cm) from the total height needed.)
3. Use the retaining nuts and bolts to fasten in place.
4. Slide the duct cover in place and fasten from inside canopy using the sheet metal screws provided.
5. Note: For installations with ceilings above 9' (22.9 cm), use optional duct extensions. See product literature for details



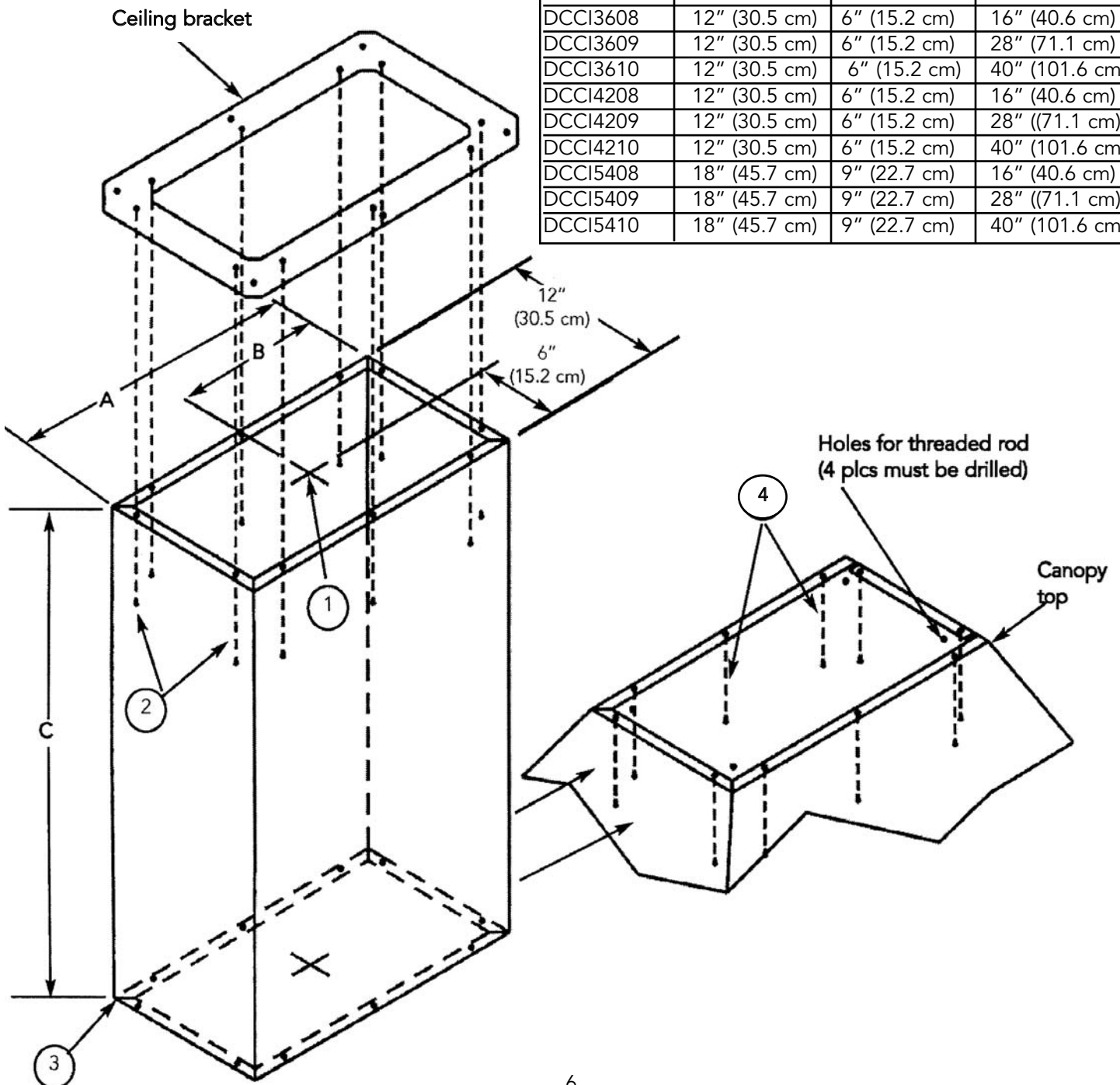
Model	"A" Min.	"B" Max	"C"
DCWH3042	18" (45.7 cm)	30" (76.2 cm)	10" (25.4 cm)
DCWH3644	16" (40.6 cm)	28" (71.1 cm)	12" (30.5 cm)
DCWH4244	16" (40.6 cm)	28" (71.1 cm)	12" (30.5 cm)
DCWH4844	16" (40.6 cm)	28" (71.1 cm)	18" (45.7 cm)
DCWL3342	18" (45.7 cm)	30" (76.2 cm)	10" (25.4 cm)
DCWL3944	16" (40.6 cm)	28" (71.1 cm)	12" (30.5 cm)
DCWL4544	16" (40.6 cm)	28" (71.1 cm)	12" (30.5 cm)
DCWL5144	16" (40.6 cm)	28" (71.1 cm)	18" (45.7 cm)
DCWN3042	18" (45.7 cm)	30" (76.2 cm)	10" (25.4 cm)
DCWN3644	16" (40.6 cm)	28" (71.1 cm)	12" (30.5 cm)
DCWN4244	16" (40.6 cm)	28" (71.1 cm)	12" (30.5 cm)
DCWN4844	16" (40.6 cm)	28" (71.1 cm)	18" (45.7 cm)

INSTALLING THE OPTIONAL DUCT COVER (ISLAND HOODS ONLY)

1. Cut hole in ceiling for correct diameter duct.
2. If using a mounting bracket* (included with the product), attach the bracket to the top of the duct cover with the nuts and screws provided. Then attach the bracket to the ceiling using the screws provided. Make sure there is enough support in the ceiling to support at least 200 lbs.
3. If mounting bracket is not used, attach duct cover/soffit to ceiling with the nuts and screws provided. Make sure there is enough support in the ceiling to support at least 200 lbs.
3. Run duct work down to bottom edge of duct cover/soffit and secure in place. (Make sure the duct does not stick down past the cover/soffit.)
4. Attach duct cover/soffit to the top of the canopy with screws provided. Additional support can be added by running threaded rod from the ceiling to the top of the canopy at all four corners. Holes must be drilled.
5. Install blower (see ventilator kit installation).

**The mounting bracket has been included to make installing the duct cover easier and does not have to be used. If used, the bracket can be hidden by using a locally supplied ceiling trim.*

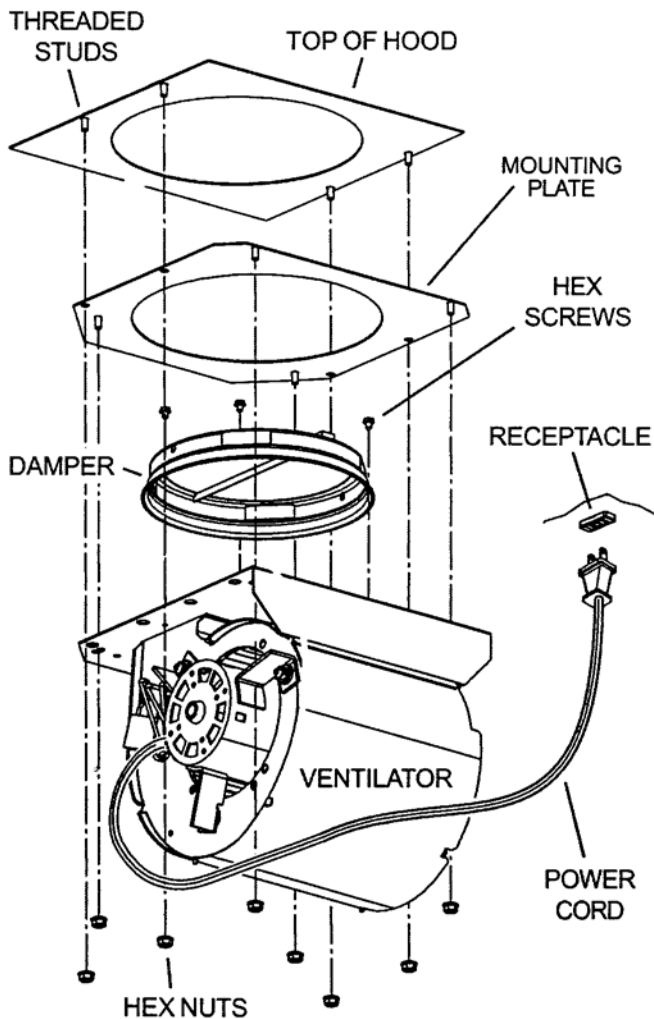
Model	"A"	"B"	"C"
DCCI3608	12" (30.5 cm)	6" (15.2 cm)	16" (40.6 cm)
DCCI3609	12" (30.5 cm)	6" (15.2 cm)	28" (71.1 cm)
DCCI3610	12" (30.5 cm)	6" (15.2 cm)	40" (101.6 cm)
DCCI4208	12" (30.5 cm)	6" (15.2 cm)	16" (40.6 cm)
DCCI4209	12" (30.5 cm)	6" (15.2 cm)	28" (71.1 cm)
DCCI4210	12" (30.5 cm)	6" (15.2 cm)	40" (101.6 cm)
DCCI5408	18" (45.7 cm)	9" (22.7 cm)	16" (40.6 cm)
DCCI5409	18" (45.7 cm)	9" (22.7 cm)	28" (71.1 cm)
DCCI5410	18" (45.7 cm)	9" (22.7 cm)	40" (101.6 cm)



VENTILATOR KIT INSTALLATION DIV300

(Also see instructions supplied with ventilator kit)

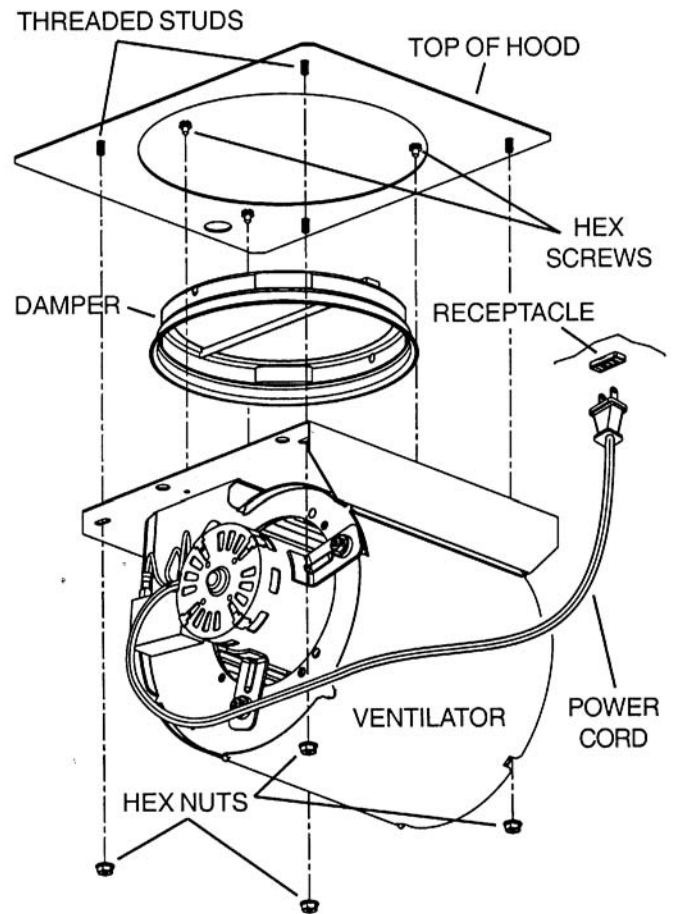
1. Attach DAMPER to VENTILATOR, as shown, using three (3) HEX SCREWS (provided). Note: Damper flange to be captured by screw heads.
2. Attach VENTILATOR to (4) THREADED STUDS on MOUNTING PLATE using (4) HEX NUTS (provided).
3. Lift ventilator into position inside the hood.
4. Fasten ventilator to four (4) THREADED STUDS, using four (4) HEX NUTS (provided).
5. Plug ventilator's POWER CORD into RECEPTACLE inside the hood.



VENTILATOR KIT INSTALLATION DIV440

(Also see instructions supplied with ventilator kit)

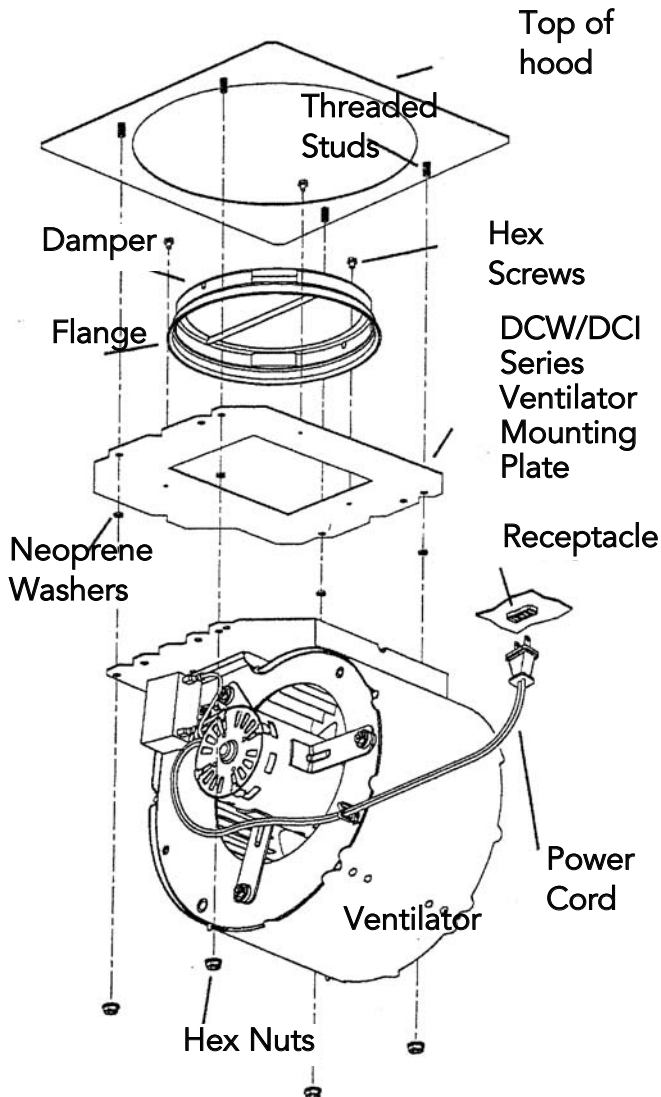
1. Attach DAMPER to VENTILATOR, as shown, using three (3) HEX SCREWS (provided). Note: Damper flange to be captured by screw heads.
2. Lift ventilator into position inside the hood.
3. Fasten ventilator to four (4) THREADED STUDS, using four (4) HEX NUTS (provided).
4. Plug ventilator's POWER CORD into RECEPTACLE inside the hood.
5. NOTE: This installation does not use the mounting plate and (4) additional hex nuts. They may be discarded.



VENTILATOR KIT INSTALLATION DIV600

(Also see instructions supplied with ventilator kit)

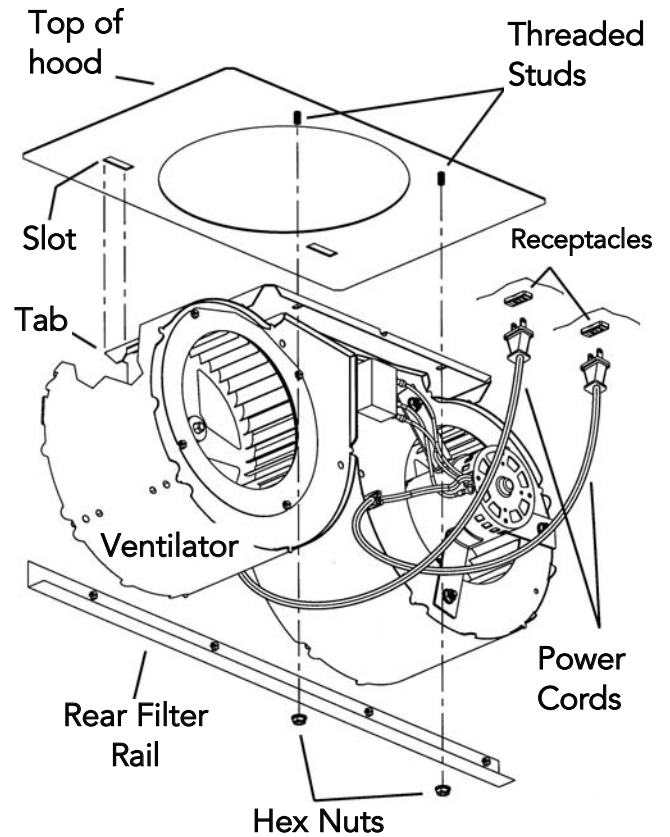
1. Choose the correct VENTILATOR MOUNTING PLATE for your hood series.
2. Attach DAMPER to VENTILATOR, as shown, using three (3) HEX SCREWS (provided). Note: Damper FLANGE to be captured by screw heads.
3. Slide mounting plate/damper assembly into hood and onto four (4) THREADED STUDS, as shown. Slide four (4) NEOPRENE WASHERS onto threaded studs to temporarily hold plate to hood.
4. Rotate ventilator 90° and lift into position inside hood.
5. Rotate ventilator back to orientation shown.
6. Fasten ventilator to four (4) threaded studs, using four (4) HEX NUTS.
7. Plug ventilator's POWER CORD into RECEPTACLE inside the hood.



VENTILATOR KIT INSTALLATION DIV1200

(Also see instructions supplied with ventilator kit)

1. Remove REAR FILTER RAIL from hood.
2. Lift VENTILATOR into position inside the hood.
3. Engage two (2) TABS on ventilator into two (2) SLOTS in TOP OF HOOD. Secure ventilator to THREADED STUDS with two (2) HEX NUTS (provided).
4. Plug ventilator's POWER CORDS into RECEPTACLES inside the hood.
5. Replace rear filter rail.
6. Fasten the provided plate with #10 x 1/2" sheet metal screws to cover electrical box opening.



CONNECTING DUCTWORK -EXTERNAL POWER DEV900/DEV1200 /DEV1500

(Also see instructions supplied with ventilator kit)

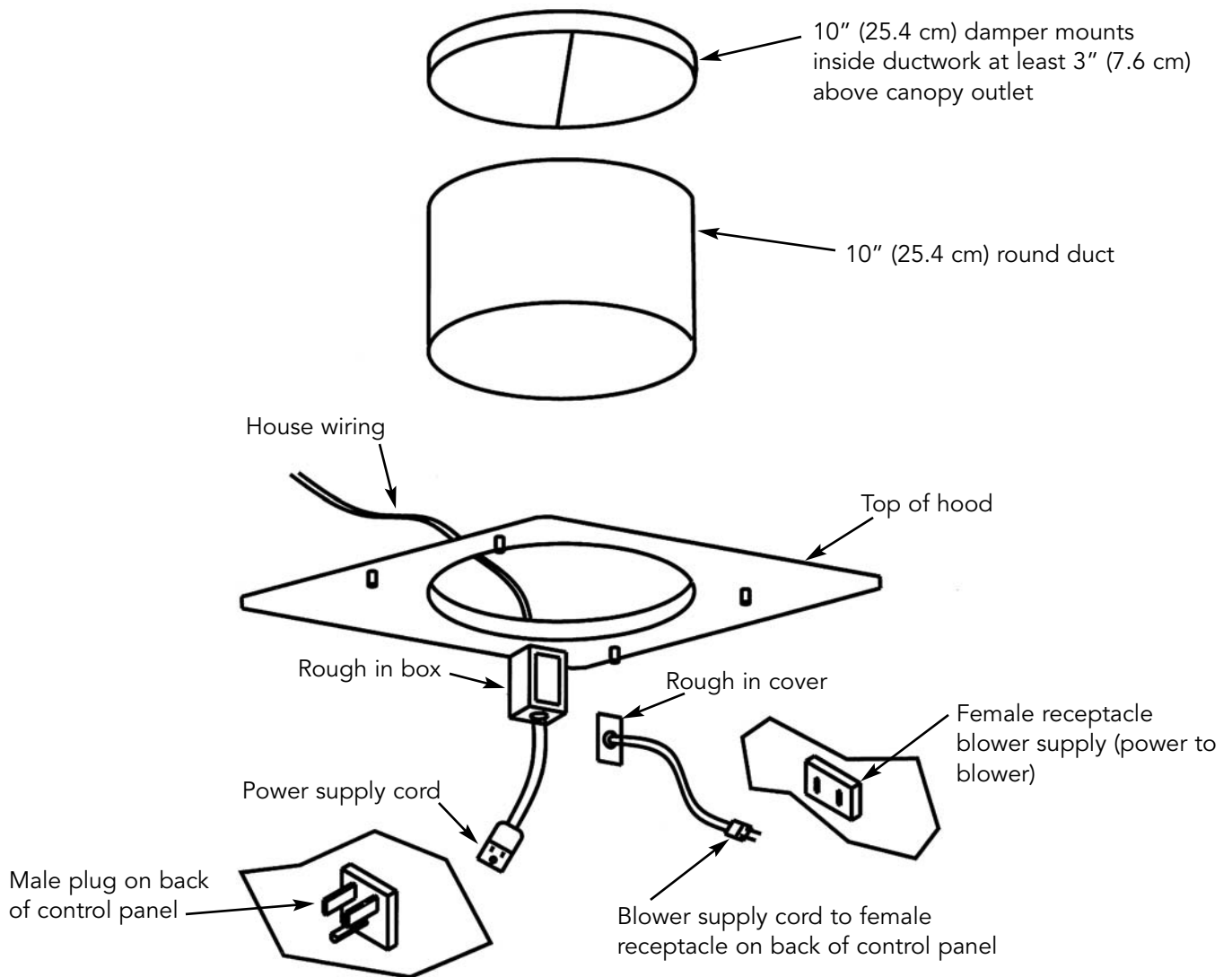
1. Run 10" (25.4 cm) round steel ductwork from external blower to the installation location. For best performance, use the straightest possible duct run and the fewest number of elbows. Tape all joints.
2. Run 120 VAC electrical power cable from service panel and remote blower to installation location.
3. Remove wiring box cover. Feed 6" (15.2 cm) of power cable (from service and remote blower) through the openings. See illustration below.
4. Wire black to black, white to white, and green or bare (ground) to green ground screw (provided). Replace wiring box cover. Make sure to connect remote wires to 2-prong male cord and service to 3-prong female cord.
5. Connect duct work to top of hood (no transition required). Tape all joints.

Ventilator Kit Contents

Supply Cord with strain relief and rough in cover

(1) #10 x 1/2 S.M.S

Green grounding screw



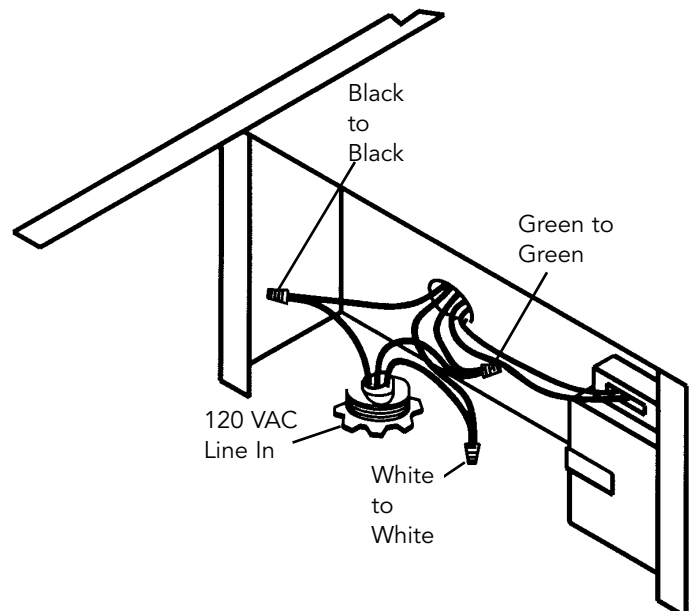
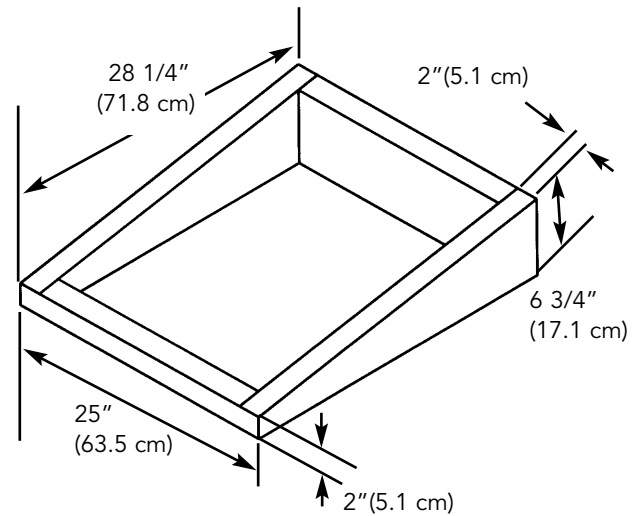
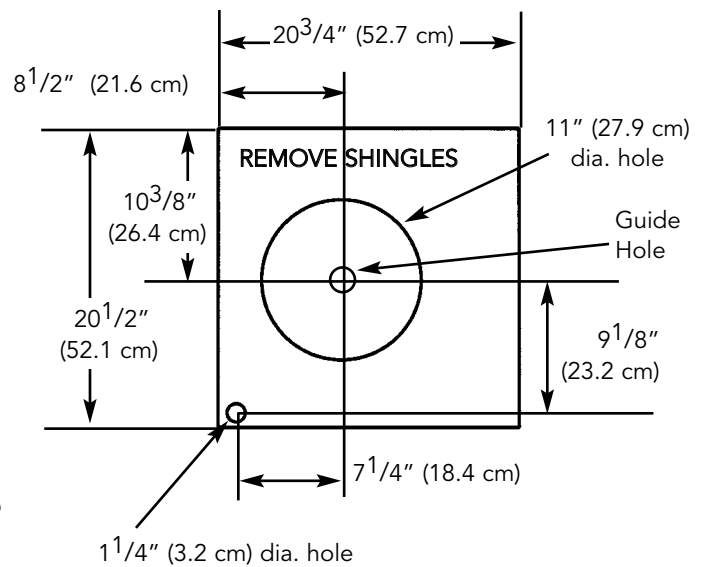
ROOF INSTALLATION EXTERIOR-POWER VENTILATOR

VEV/DEV900-Exterior Power Ventilator Kit (900CFM)

(also see instructions supplied with ventilator kit)

1. Locate the blower on the rear slope of the roof. Place it in a location to minimize duct run. The location should be free of obstacles (T.V. leads, electrical lines, etc.). Bear in mind, if the blower top is level with the roof peak, it will not be seen from the street. Keep this approximate location in mind as you work from within the attic.
2. Mark a point halfway between rafters.
3. Drill a guide hole through the roof at this point.
4. From the outside, use the guide hole as a starting point.
 - A. Use a T-square to measure $8\frac{1}{2}$ " (21.6 cm) to the left of the guide hole, then down $10\frac{3}{8}$ " (26.4 cm) to locate the bottom left corner of the layout.
 - B. Mark the rectangular cutout and remove only the shingles in this area.
5. Mark an 11" (27.9 cm) diameter circle centered on the guide hole and mark the center of the $1\frac{1}{4}$ " (3.2 cm) diameter electrical wiring hole.
6. Cut out the roof board(s) along the 11" (27.9 cm) diameter circle and drill a $1\frac{1}{4}$ " hole as marked.
7. For flat roof installations, build a curb that will mount the blower at a minimum pitch of 2/12. Discharge end of the blower should be pointed away from prevailing winds.
8. Remove roofing nails from the upper two-thirds of the shingles around the cutout area. Carefully lift the shingles to allow the back flashing sheet on the blower housing to fit under them.
9. Center the blower ring in the 11" (27.9 cm) diameter hole, making sure that the $1\frac{1}{4}$ " (3.2 cm) diameter electrical wiring hold aligns with the hole in the wiring box.
10. Attach the blower to the roof with the six screws provided. It is recommended that the screws be located inside the blower housing. All six holes in the back panel must be filled, or any moisture that may get inside the housing could leak into the house.
11. Using a good grade of roofing cement, seal all of the shingles around the housing and flashing sheet as well as the mounting screw heads.
12. Bring electrical wiring through the hole in the wiring box and secure it according to local codes.
13. Make the electrical connections with the proper connector for the type of wiring being used. Connect white to white, black to black, and the green or bare wire to green.
14. Replace wiring box cover and screws. Do not pinch wiring under the cover.
15. Check for free movement of the damper before installing housing cover and screws.
16. Turn on power and check operation of the blower.

ROOF CUTOUT

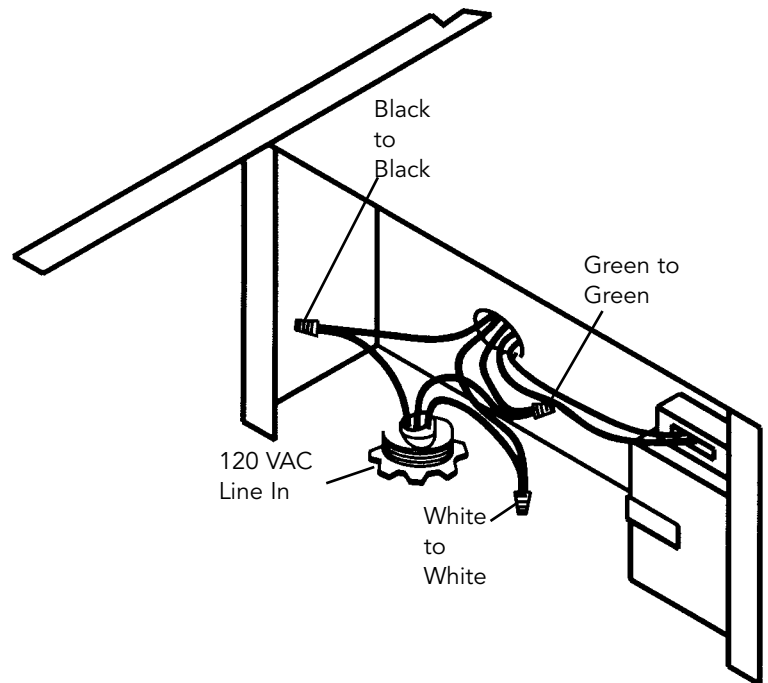
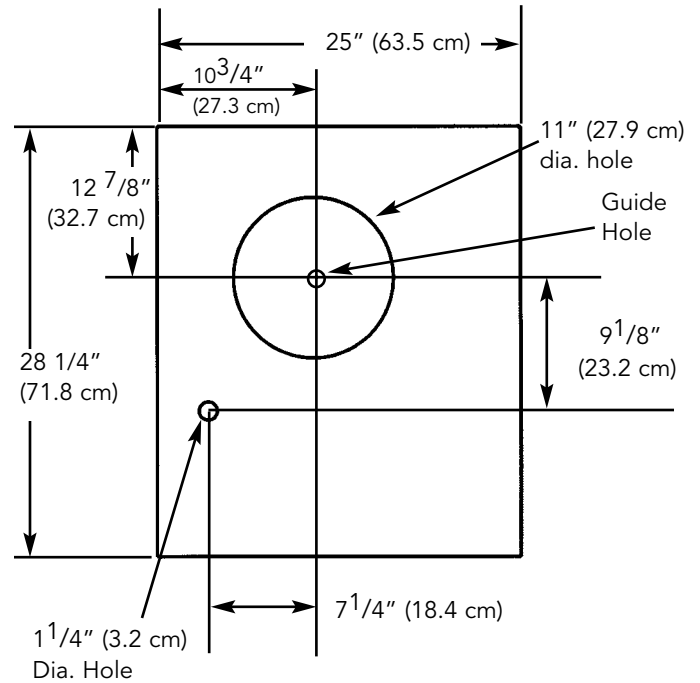


WALL INSTALLATION EXTERIOR-POWER VENTILATOR

DEV900-Exterior-Power Ventilator Kit (900CFM)

1. Choose a position on the outside wall. Min. 24" (61.0 cm) from ground may vary depending on local codes or location. Make sure that no wall studs, pipes or wires run through the opening area.
2. Drill a guide hole at the center of the opening area.
3. From the outside, use the guide hole as a starting point to lay out the installation.
 - A. Use a T-square to measure 10³/₄" (27.3 cm) to the left of the guide hole, then 12⁷/₈" (32.7 cm) to locate the top-left corner of the layout.
 - B. Starting from the top-left corner, mark a 25" (63.5 cm) by 28¹/₂" (72.4 cm) rectangle on wall located from guide hole.
4. Cut a rectangular hole in the siding only. Do not cut the sheathing. Nail down all siding ends.
5. Mark an 11" (27.9 cm) diameter circle centered on the guide hole and mark the center of the 1¹/₄" diameter electrical wiring hole.
6. Cut the 11" (27.9 cm) hole in the sheathing and drill the 1¹/₄" (3.2 cm) as marked.
7. Place a large bead of caulk on the back side of the housing along the outer edge.
8. Center the blower ring in the 11" (27.9 cm) diameter hole, making sure that the 1¹/₄" (3.2 cm) diameter electrical wiring hole aligns with the hole in the wiring box.
9. Attach blower to the wall with the six screws provided. It is recommended that the screws be located inside the blower housing. All six holes in the back panel must be filled, or any moisture that may get inside the housing could leak into the house.
10. Using a good grade of caulk, seal all around the mounting screw heads.
11. Bring electrical wiring through the hole in the wiring box and secure it according to local codes.
12. Make the electrical connections with the proper connector for the type of wire being used. Connect white to white, black to black, and green or bare wire to green.
13. Replace wiring box cover and screws. Do not pinch wiring under cover.
14. Check for free movement of the damper before installing housing cover and screws.
15. Turn on power and check operation of the blower.
16. Top and side flanges of the back plate may be covered with trim strips. Do not block grill opening at bottom with trim. It will adversely affect performance of the blower.

WALL CUTOUT

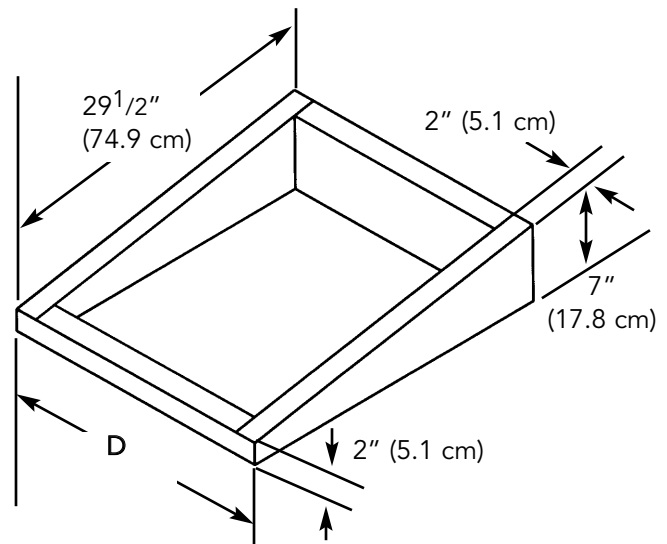
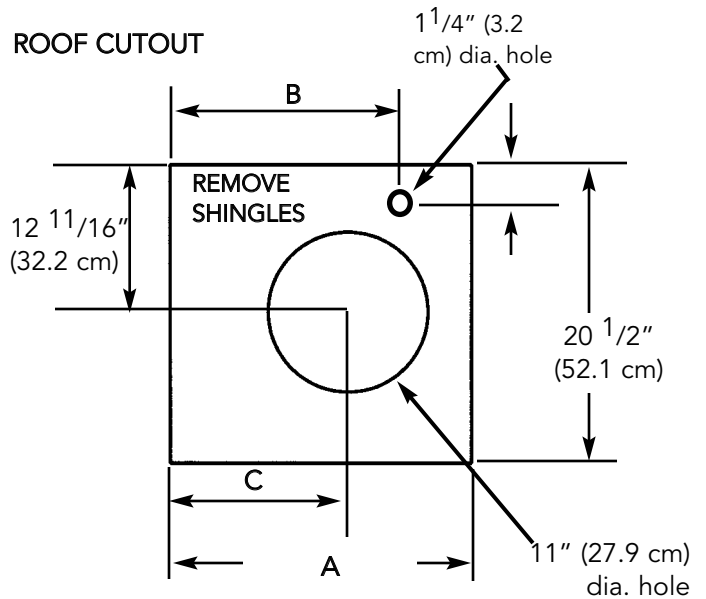


ROOF INSTALLATION EXTERIOR-POWER VENTILATOR

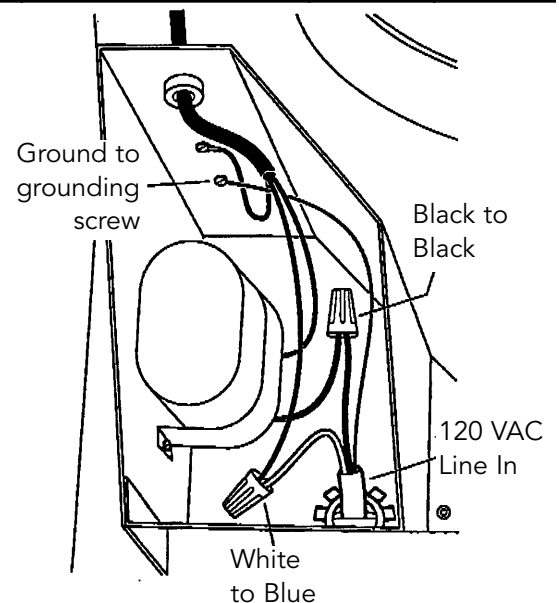
Exterior Power Ventilator

(also see instructions supplied with ventilator kit)

1. Locate the blower on the rear slope of the roof. Place it in a location to minimize duct run. The location should be free of obstacles (T.V. leads, electrical lines, etc.). Bear in mind, if the blower top is level with the roof peak, it will not be seen from the street. Keep this approximate location in mind as you work from within the attic.
2. Mark a point halfway between rafters.
3. Drill a guide hole through the roof at this point.
4. From the outside, use the guide hole as a starting point to lay out the installation.
 - A. Use a T-square to measure $9\frac{13}{16}$ " (24.9 cm) to the left of the guide hole, then $12\frac{11}{16}$ " (32.2 cm) to locate the top-left corner of the layout.
 - B. Starting from the top-left corner, mark the rectangular cutout and remove only the shingles in this area.
5. Mark an 11" (27.9 cm) diameter hole centered on the guide hole. Mark the center of the $1\frac{1}{4}$ " (3.2 cm) diameter electrical wiring hole.
6. Cut out the roof board(s) along the 11" (27.9 cm) diameter circle and drill a $1\frac{1}{4}$ " hole as marked.
7. For flat roof installations, build a curb that will mount the blower at a minimum pitch of 2/12. Discharge end of the blower should be pointed away from prevailing winds.
8. Remove roofing nails from the shingles around the top and sides of the cutout area only. Carefully lift the shingles to allow the back flashing sheet on the blower housing to fit under them.
9. Center the blower ring in the 11" (27.9 cm) diameter hole, making sure that the $1\frac{1}{4}$ " (3.2 cm) diameter electrical wiring hold aligns with the hole in the wiring box.
10. Attach the blower to the roof with the six screws provided. It is recommended that the screws be located inside the blower housing. All six holes in the back panel must be filled, or any moisture that may get inside the housing could leak into the house.
11. Using a good grade of roofing cement, seal all of the shingles around the housing and flashing sheet as well as the mounting screw heads.
12. Bring electrical wiring through the hole in the wiring box and secure it according to local codes.
13. Make the electrical connections with the proper connector for the type of wiring being used. Connect white to white, black to black, and the green or bare wire to green.
14. Replace wiring box cover and screws. Do not pinch wiring under the cover.
15. Check for free movement of the damper before installing housing cover and screws.
16. Turn on power and check operation of the blower. 12



	A	B	C	D
DEV1200	18" (45.7 cm)	15" (38.1 cm)	9 13/16" (24.9 cm)	22" (55.9 cm)
DEV1500	21" (53.3 cm)	18" (45.7 cm)	12 5/8" (32.1 cm)	25" (63.5 cm)



WALL INSTALLATION EXTERIOR-POWER VENTILATOR

Exterior Power Ventilator Kit

1. Choose a position on the outside wall. Min. 24" (61.0 cm) from ground may vary depending on local codes or location. Make sure that no wall studs, pipes or wires run through the opening area.
2. From inside, mark and drill a guide hole at the center of the opening area.
3. From the outside, use the guide hole as a starting point to lay out the installation.
 - A. Use a T-square to measure $11\frac{13}{16}$ " (30.0 cm) to the left of the guide hole, then $14\frac{11}{16}$ " (37.3 cm) to locate the top-left corner of the layout.
 - B. Starting from the top-left corner, mark a 22" (55.9 cm) by $29\frac{1}{2}$ " (74.9 cm) rectangle on wall located from guide hole.
4. Cut a rectangular hole in the siding only. Do not cut the sheathing. Nail down all siding ends.
5. Mark an 11" (27.9 cm) diameter circle centered on the guide hole and mark the center of the $1\frac{1}{4}$ " diameter electrical wiring hole.
6. Cut the 11" (27.9 cm) hole in the sheathing and drill the $1\frac{1}{4}$ " (3.2 cm) as marked.
7. Place a large bead of caulk on the back side of the housing along the outer edge.
8. Center the blower ring in the 11" (27.9 cm) diameter hole, making sure that the $1\frac{1}{4}$ " (3.2 cm) diameter electrical wiring hole aligns with the hole in the wiring box.
9. Attach blower to the wall with the six screws provided. All six holes in the back panel must be filled, or any moisture that may get inside the housing could leak into the house.
10. Using a good grade of caulk, seal all around the mounting screw heads.
11. Bring electrical wiring through the hole in the wiring box and secure it according to local codes.
12. Make the electrical connections with the proper connector for the type of wire being used. Connect white to blue, black to black, and green or bare wire to grounding screw.
13. Replace wiring box cover and screws. Do not pinch wiring under cover.
14. Check for free movement of the damper before installing housing cover and screws.
15. Turn on power and check operation of the blower.
16. Top and side flanges of the back plate may be covered with trim strips. Do not block grill opening at bottom with trim. It will adversely affect performance of the blower.

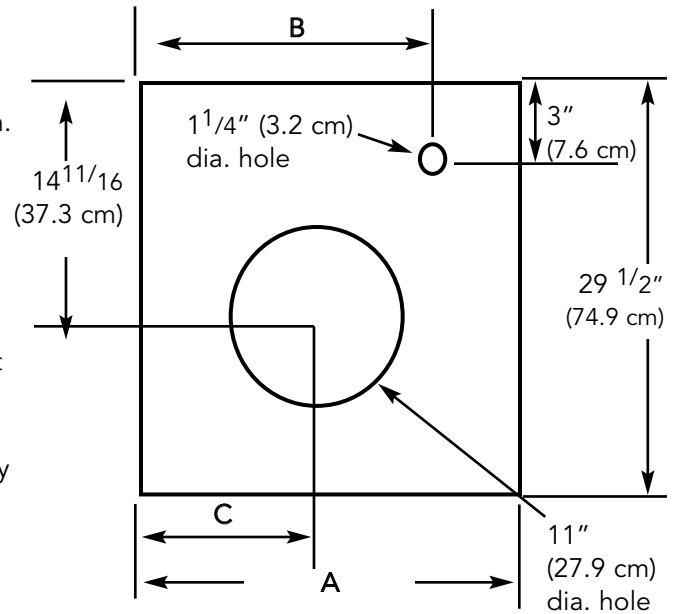
FILTER INSTALLATION

Number of mesh filters will vary by model. Only the 36"W. model has one spacer located between the mesh filters

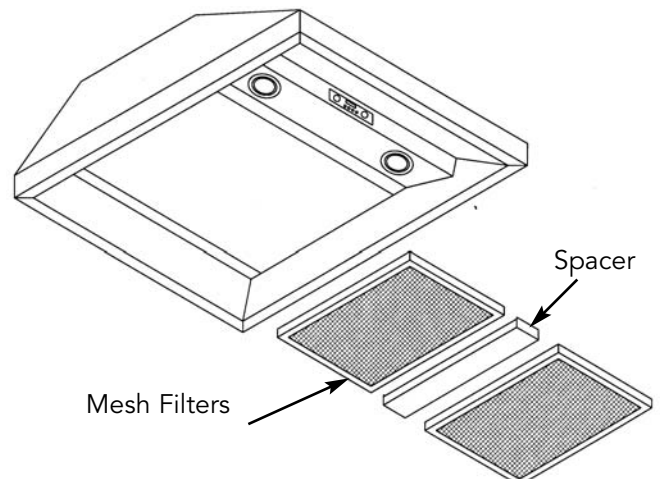
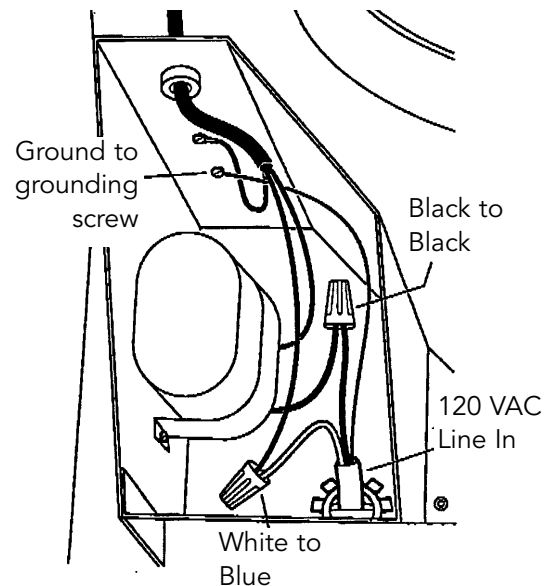
Wall Hoods - 30"W., 36"W., . . . - 2 filters per unit
 42" W, 48"W. - 3 filters per unit

Island Hoods - 36"W., 42"W. - 4 filters per unit
 54"W. - 6 filters per unit

WALL CUTOUT

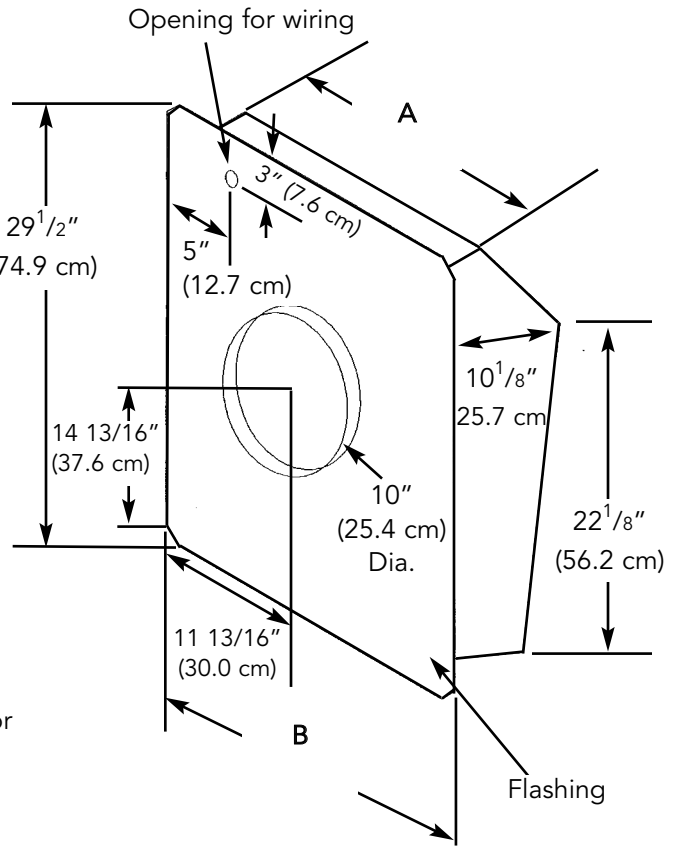
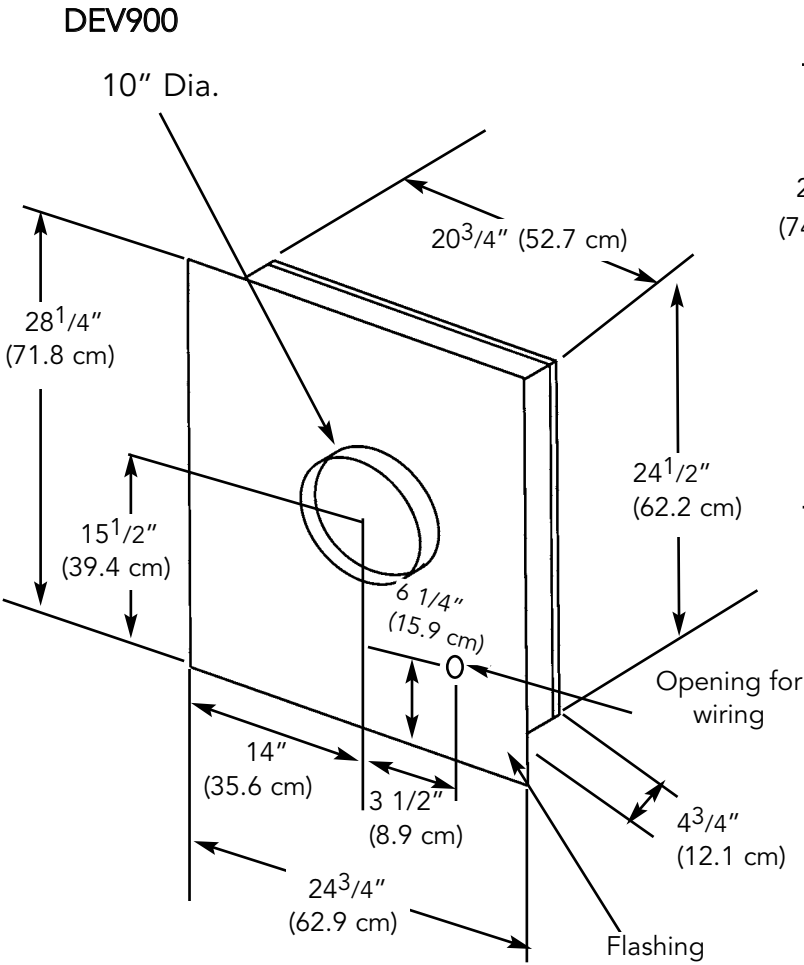


	A	B	C
DEV1200	22" (55.9 cm)	17" (43.2 cm)	11 13/16" (30.0 cm)
DEV1500	25" (63.5 cm)	20" (50.8 cm)	14 5/8" (37.2 cm)



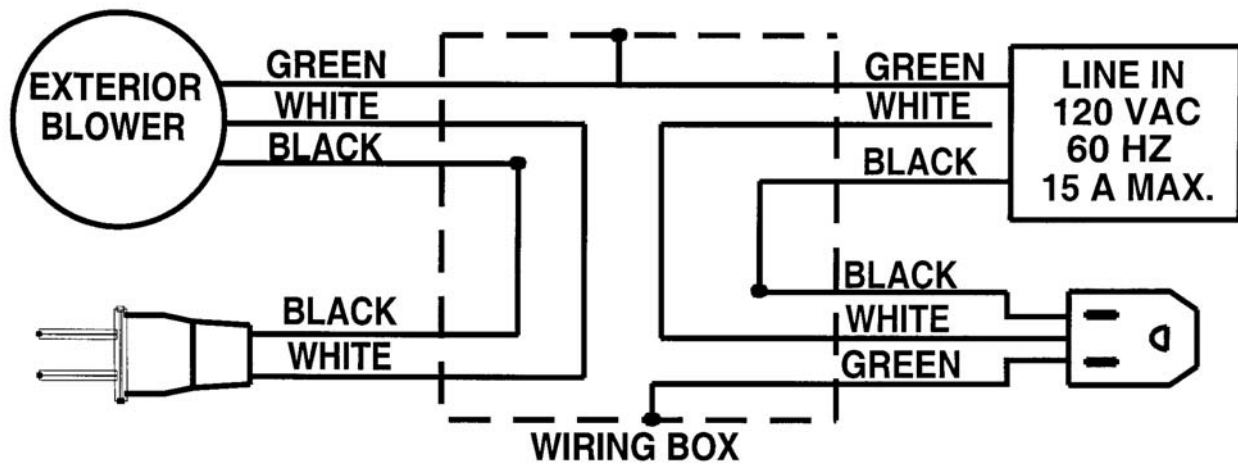
EXTERIOR VENTILATOR DIMENSIONS

DEV1200
DEV1500



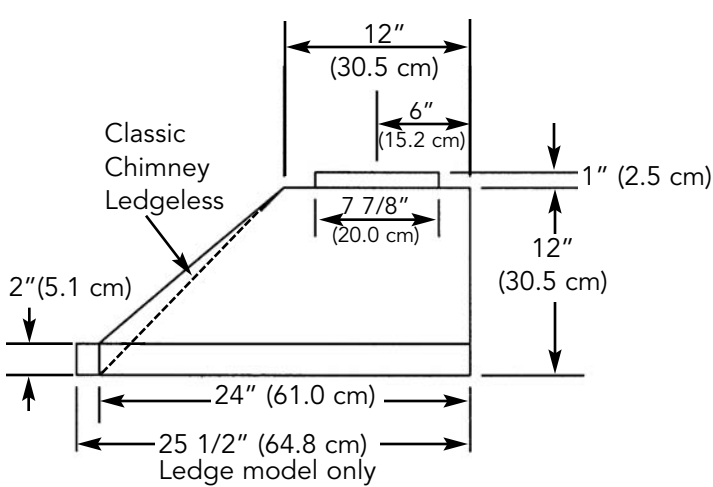
	A	B
DEV1200	18" (45.7 cm)	22" (55.9 cm)
DEV1500	21" (53.3 cm)	25" (55.9 cm)

WIRING DIAGRAM EXTERIOR VENTILATOR

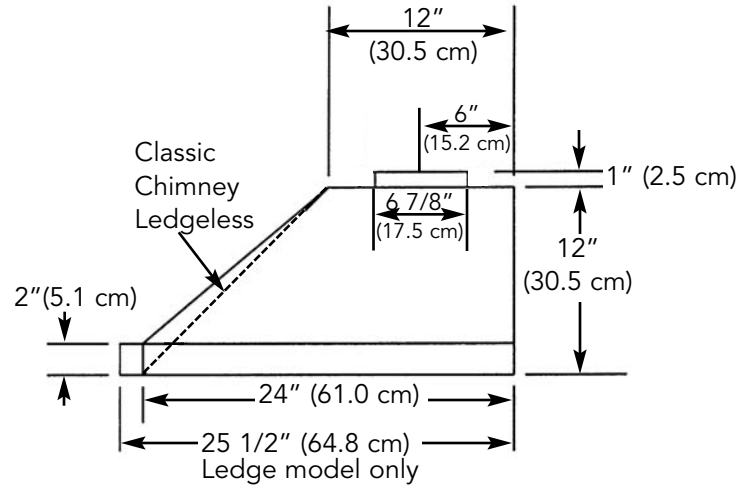


WALL HOOD DIMENSIONS

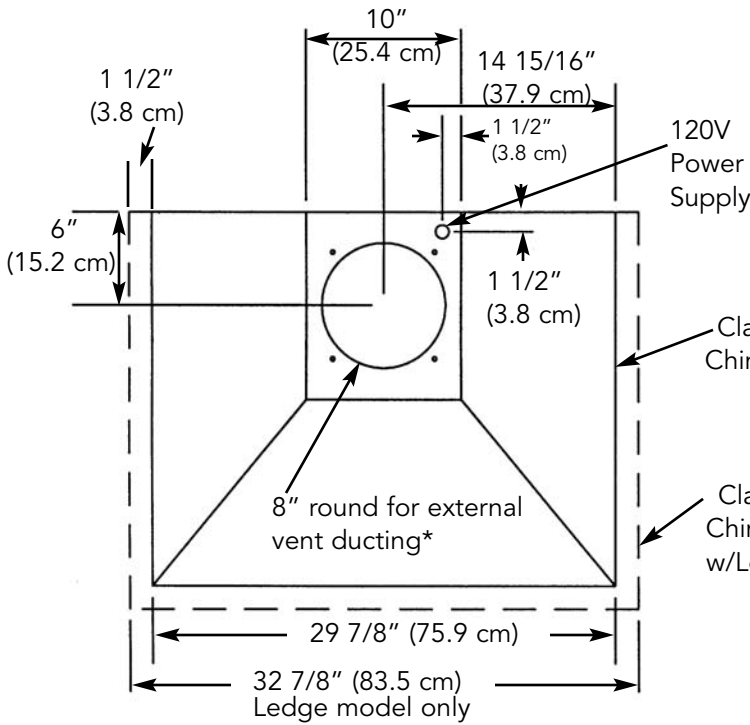
30"W. Classic Chimney, Classic Chimney w/Ledge, and Classic Chimney Ledgeless



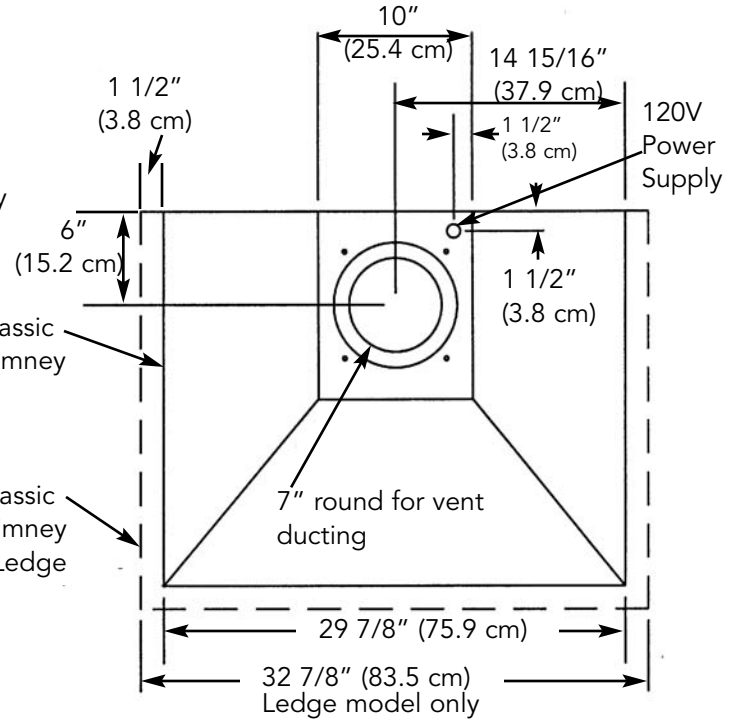
900 or 1200 CFM
External Ventilation Installation



300 or 440 CFM
Internal Ventilation Installation



900 or 1200 CFM
External Ventilation Installation

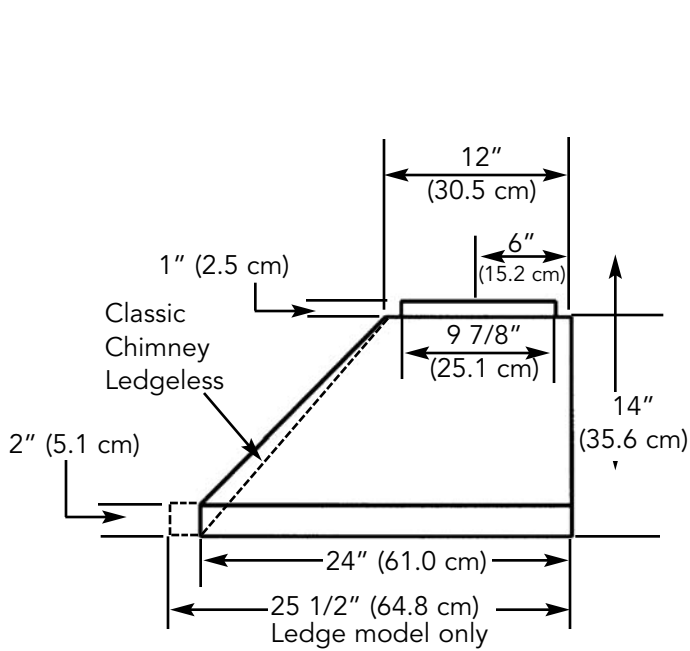


300 or 440 CFM
Internal Ventilation Installation

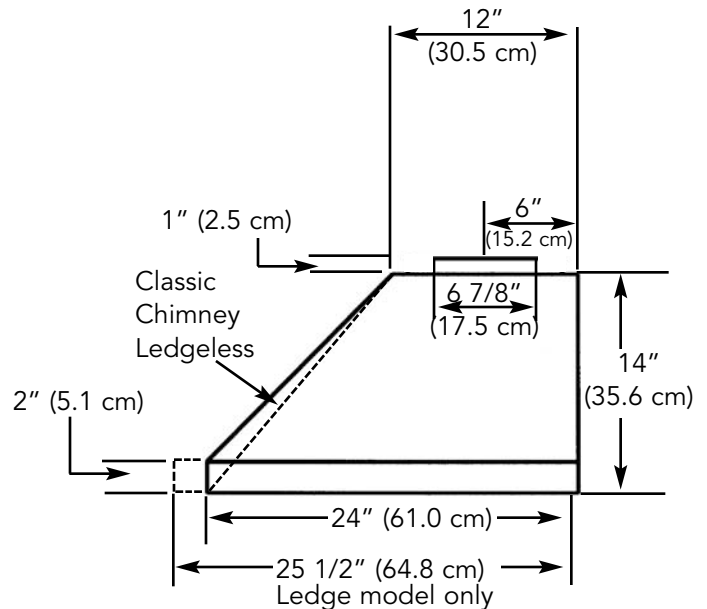
*Must purchase 8" dia. to 10" dia. transition locally.
Transition should be installed past the duct cover.

WALL HOOD DIMENSIONS

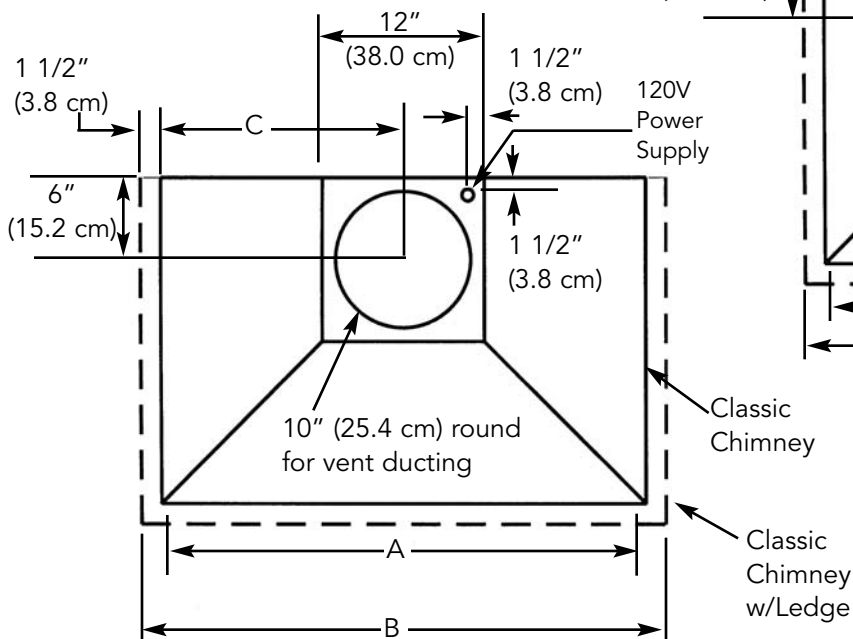
36"W./42"W. Classic Chimney, Classic Chimney w/Ledge, and Classic Chimney Ledgeless



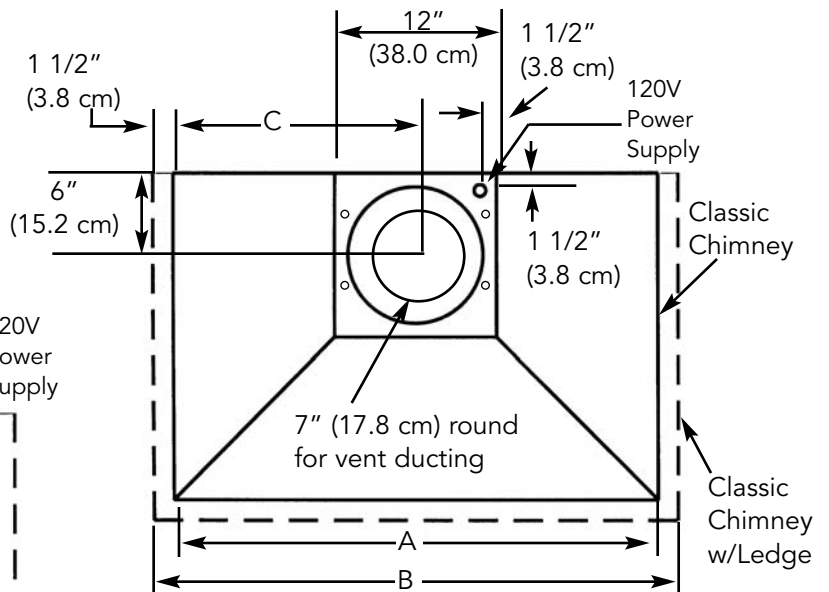
900 or 1200 CFM
External Ventilation Installation



300 or 600 CFM**
Internal Ventilation Installation



900 or 1200 CFM
External Ventilation Installation



300 or 600 CFM**
Internal Ventilation Installation

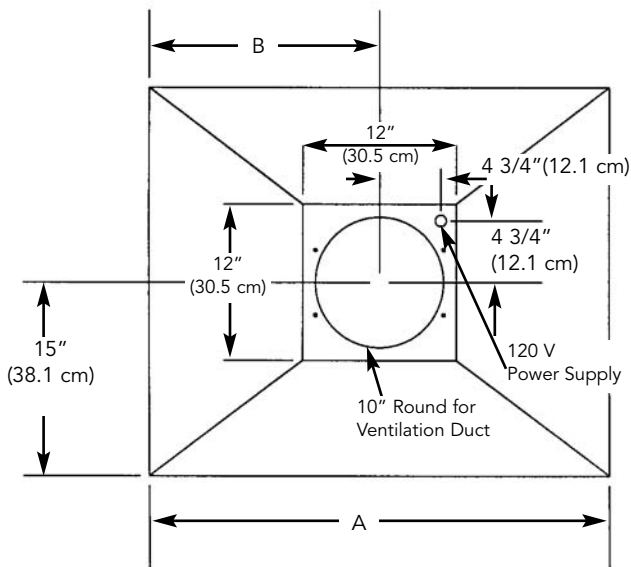
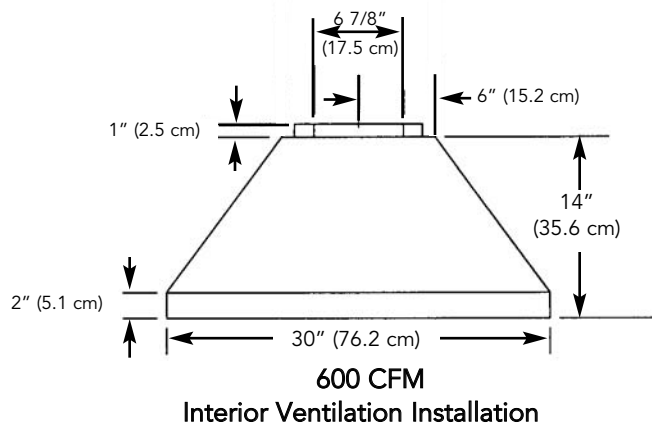
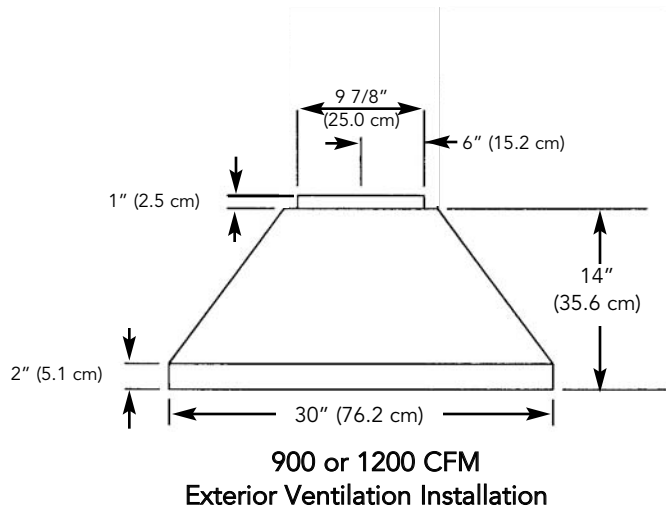
	36"W.	42"W.
A	35 7/8" (91.1 cm)	41 7/8" (103.4 cm)
B*	38 7/8" (98.4 cm)	44 7/8" (114.0 cm)
C	17 15/16" (45.6 cm)	20 15/16" (53.2 cm)

*Ledge models only.

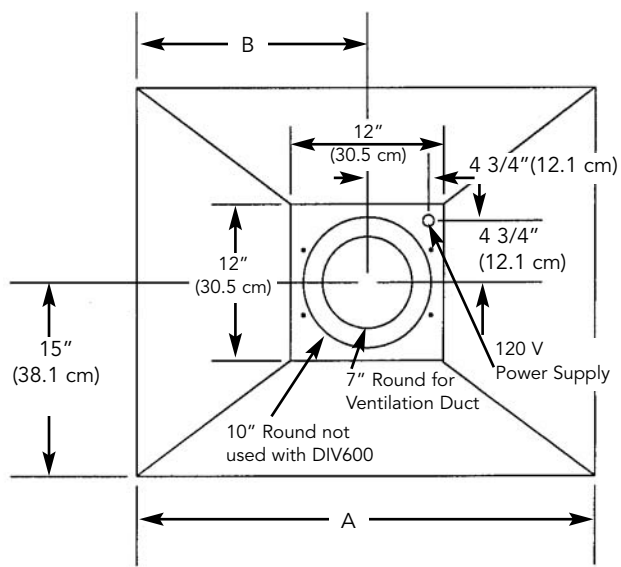
**300 CFM ventilator kits for use with 36" W. hoods only.

ISLAND HOOD DIMENSIONS

36"W. AND 42"W. Classic Chimney Island Hood



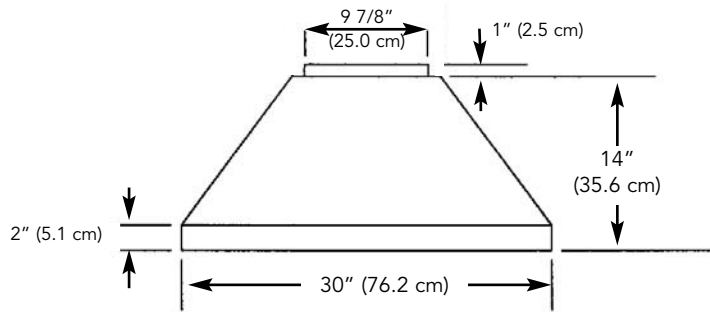
900 or 1200 CFM
Exterior Ventilation Installation



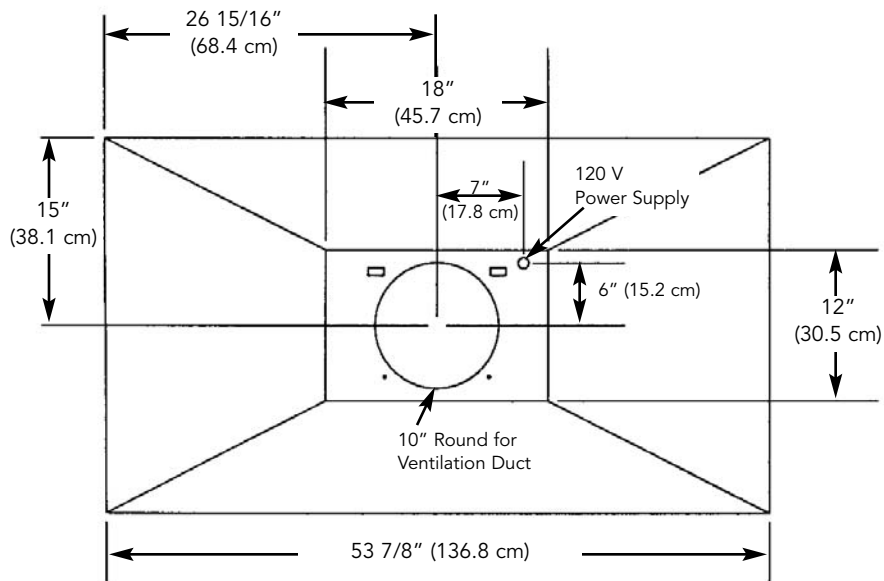
600 CFM
Interior Ventilation Installation

	36" W. Models	42" W. Models
A	35 7/8" (91.1 cm)	41 7/8" (106.4 cm)
B	17 15/16" (45.6 cm)	20 15/16" (53.2 cm)

ISLAND HOOD DIMENSIONS
54" w. Classic Chimney Island Hood



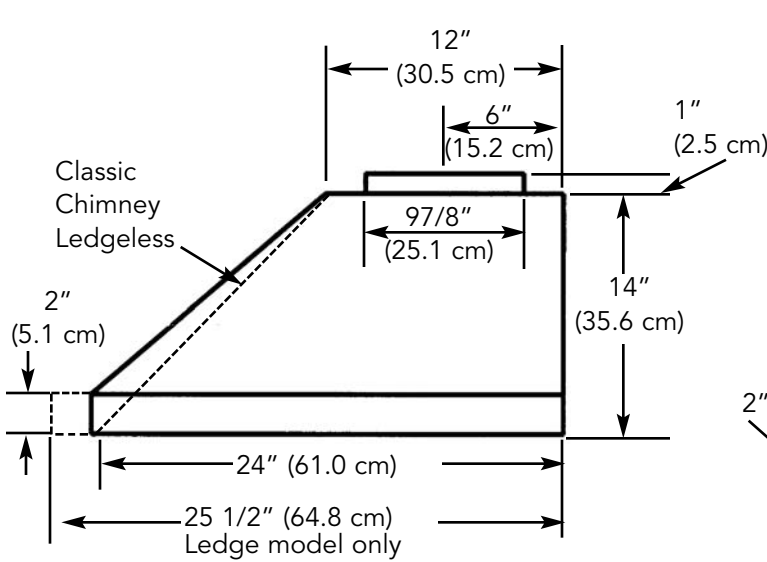
**1200 CFM Interior or Exterior
 1500 CFM Exterior
 Ventilation Installation**



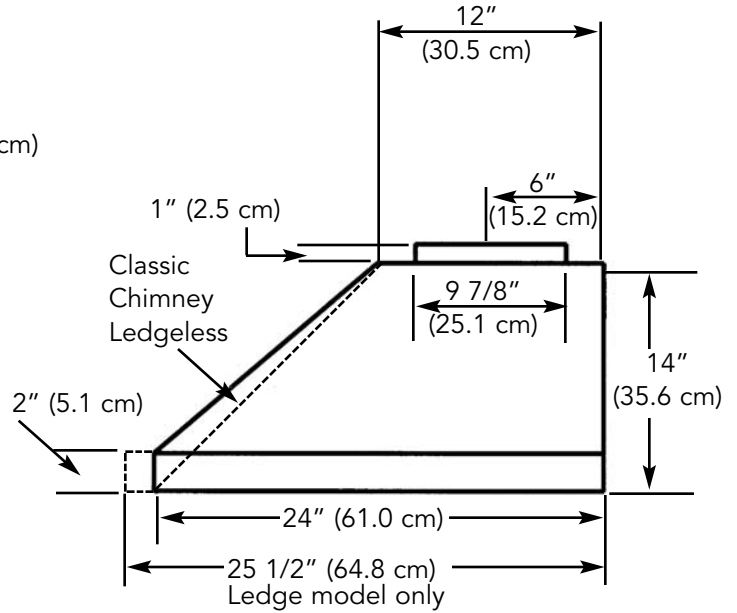
**1200 CFM Interior or Exterior
 1500 CFM Exterior
 Ventilation Installation**

WALL HOOD DIMENSIONS

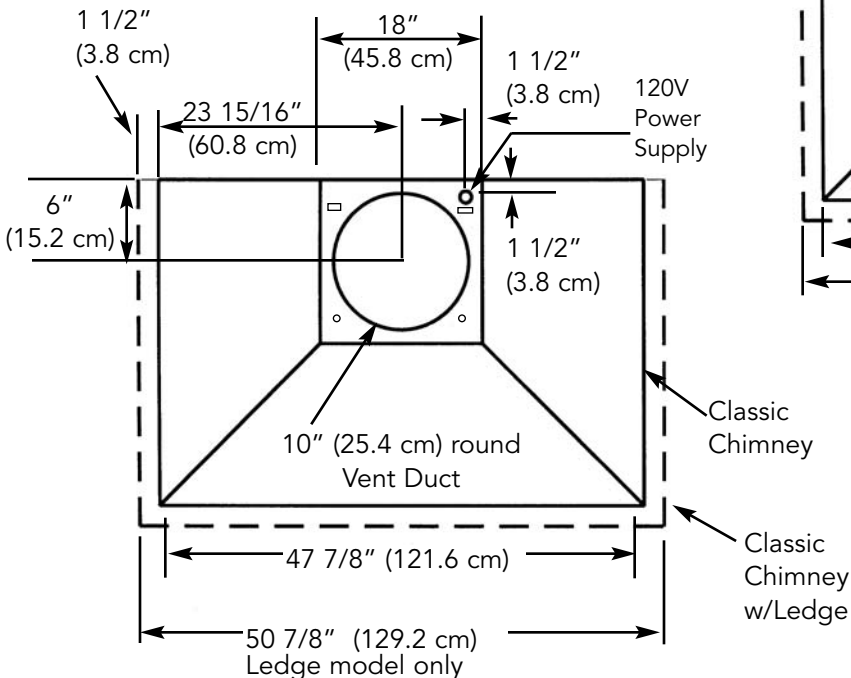
48"W. Classic Chimney, Classic Chimney w/Ledge, and Classic Chimney Ledgeless



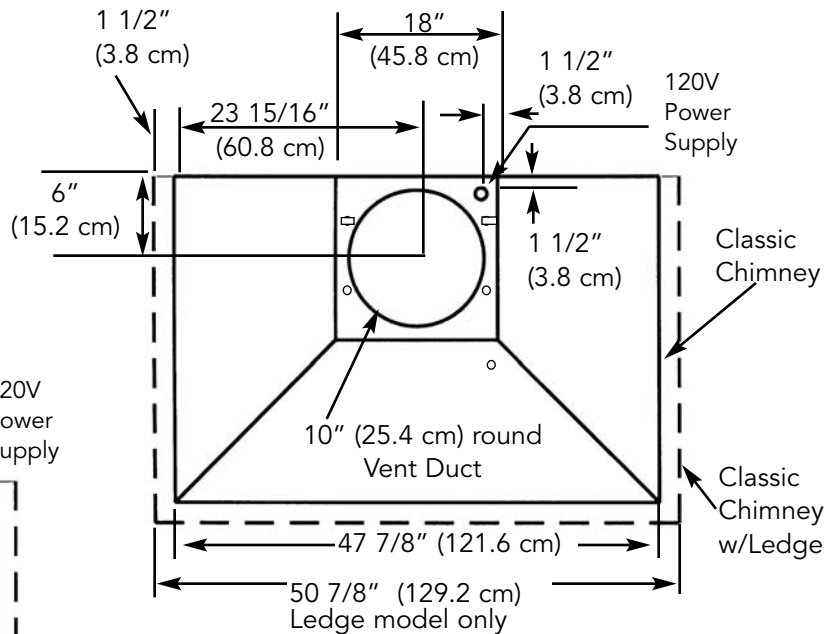
1200 or 1500 CFM
External Ventilation Installation



1200 CFM
Internal Ventilation Installation

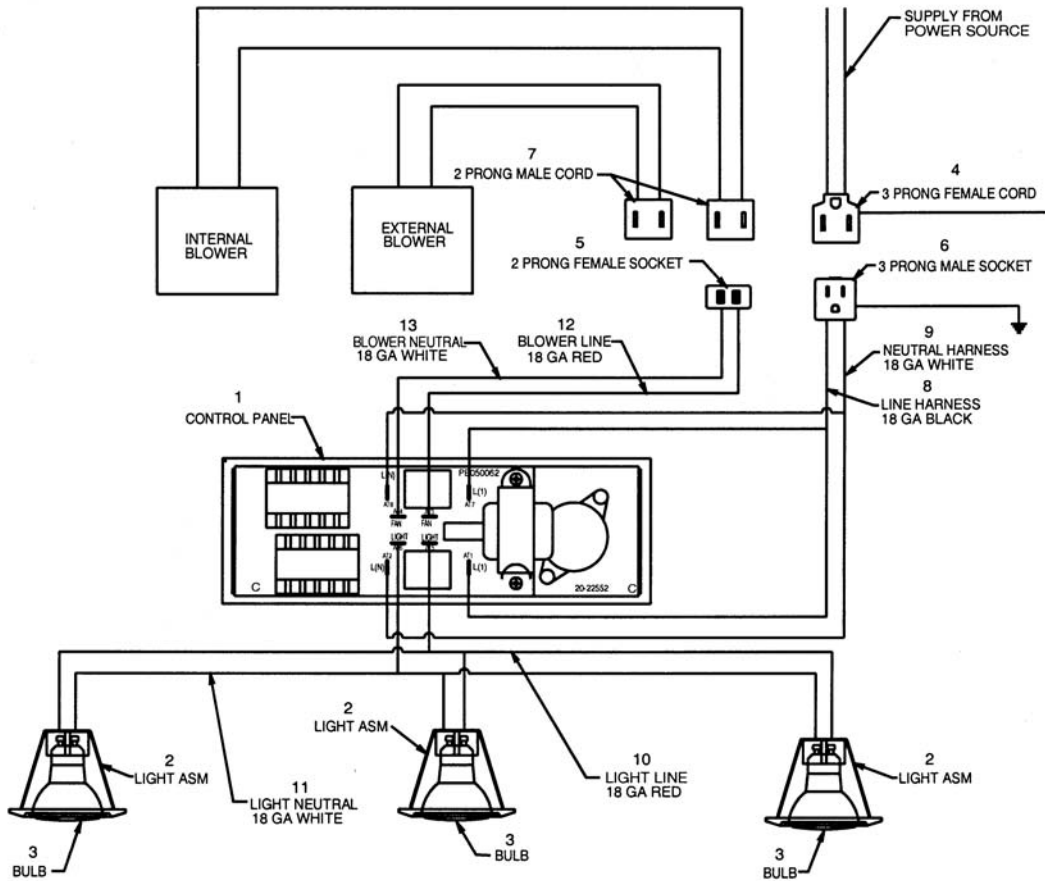


1200 or 1500 CFM
External Ventilation Installation



1200 CFM
Internal Ventilation Installation

WIRING DIAGRAM BUILT-IN CHIMNEY HOODS



REFER ONLY TO FEATURES EQUIPPED WITH THIS UNIT.

VIKING RANGE CORPORATION
111 Front Street • Greenwood, Mississippi 38930 USA • (662) 455-1200

Specifications subject to change without notice.
www.vikingrange.com