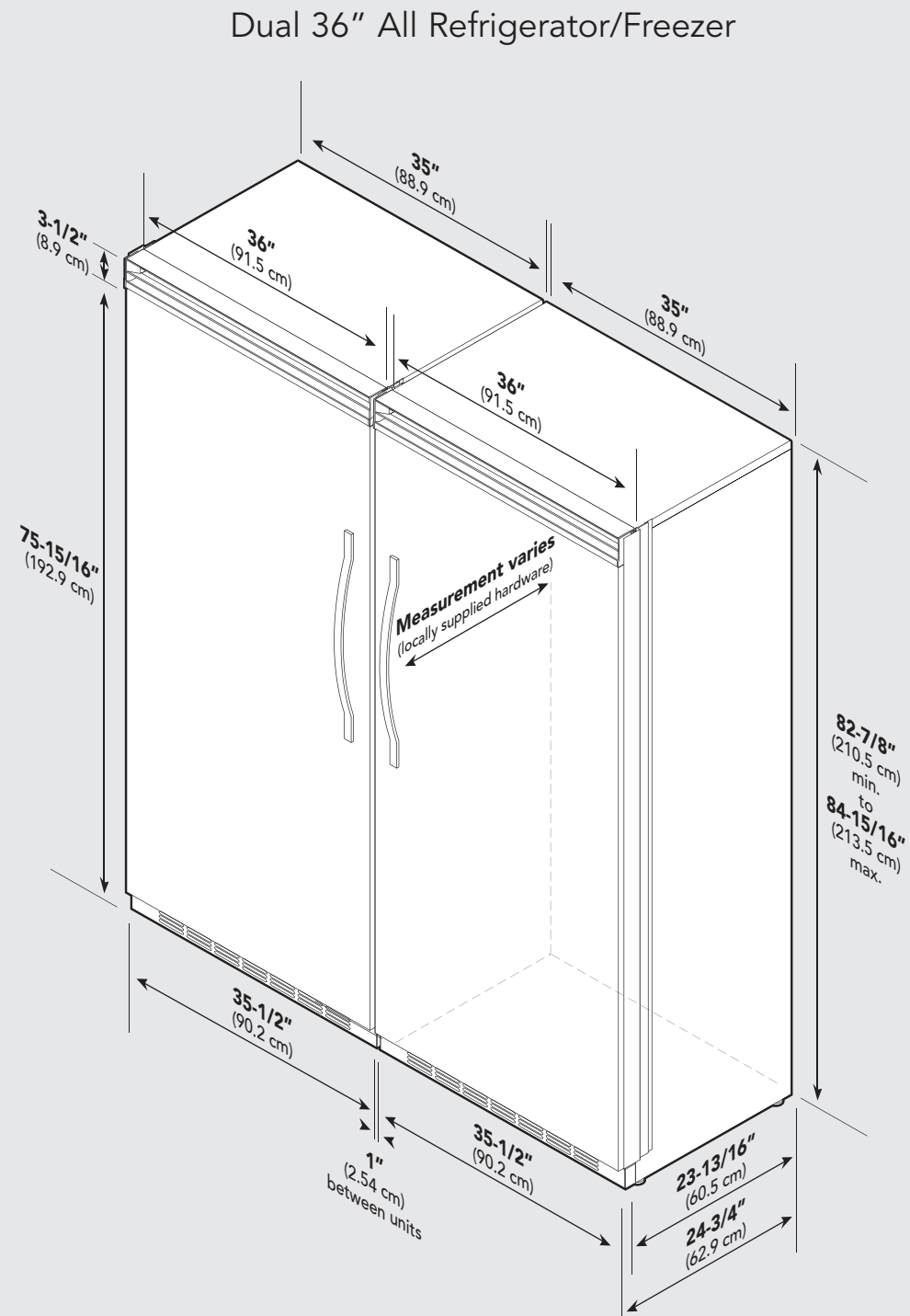


Dimensions (All Refrigerator/Freezer)



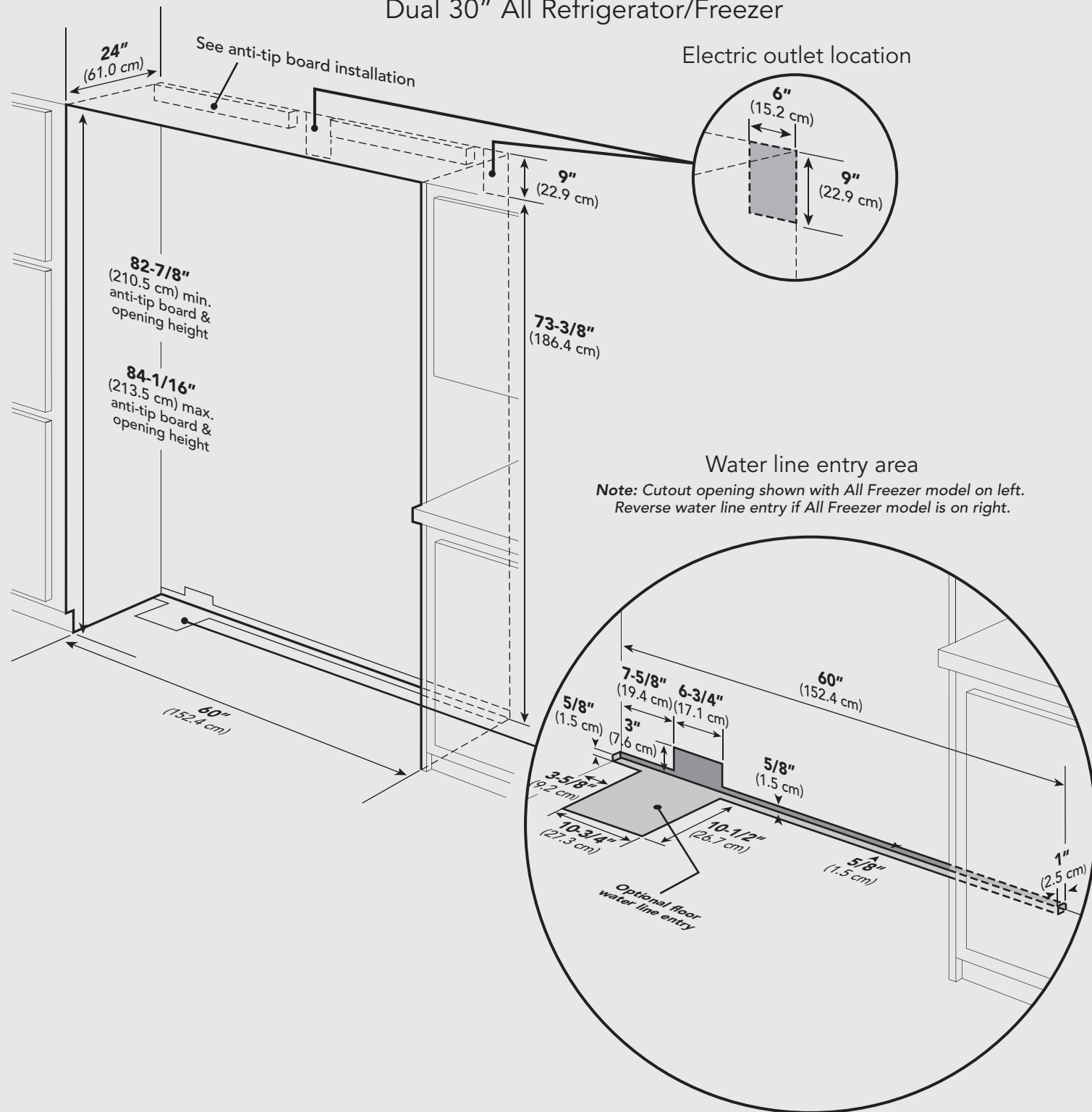
Specifications (All Refrigerator/Freezer)

Dual All Refrigerator/Freezer			
Description	(2) 30" Units	(1) 36" & (1) 30" Unit	(2) 36" Units
Overall width	60" (152.4 cm)	66" (167.6 cm)	72" (182.9 cm)
Overall height (from bottom)	82-3/4" (210.2 cm) min. to 84-1/16" (213.5 cm) max.		
Overall depth (from rear)	To front edge of side trim: 23-13/16" (60.5 cm) To front of top grille: 24-3/4" (62.9 cm) To front edge of door trim: 24" (61.0 cm)		
Cutout width	60" (152.4 cm)	66" (167.6 cm)	72" (182.9 cm)
Cutout height	82-7/8" (210.5 cm) min. to 84-1/16" (213.5 cm) max.		
Cutout depth	24" (61.0 cm) min.*		
Electrical requirements	(2) 115 volt, 60 Hz, 15 amp dedicated circuit; 3-wire cord with grounded 3-prong plug attached to product		
Maximum amp usage	9.9 amps per unit		
Inlet water requirements (All Freezer only)	1/4" copper tubing inlet waterline; minimum 20 psi; maximum 120 psi		
Overall interior dimensions	30" freezer: 15.9 cu. ft. (450 liters) 30" refrigerator: 18.2 cu. ft. (516 liters) 36" freezer: 19.1 cu. ft. (541 liters) 36" refrigerator: 22.8 cu. ft. (646 liters)		
Maximum panel weight	30" freezer or refrigerator: 50 lbs. (22.7 kg) 36" freezer or refrigerator: 60 lbs. (27.2 kg)		
Approximate shipping weight	30" freezer or refrigerator: 425 lbs. (193.2 kg) 36" freezer or refrigerator: 500 lbs. (227.3 kg)		

*Full overlay models fit flush in 25" (63.5 cm) deep cabinet openings. They can be installed in standard 24" (61.0 cm) deep openings. The door faces and top grille will protrude 3/4" (1.9 cm) into the room.

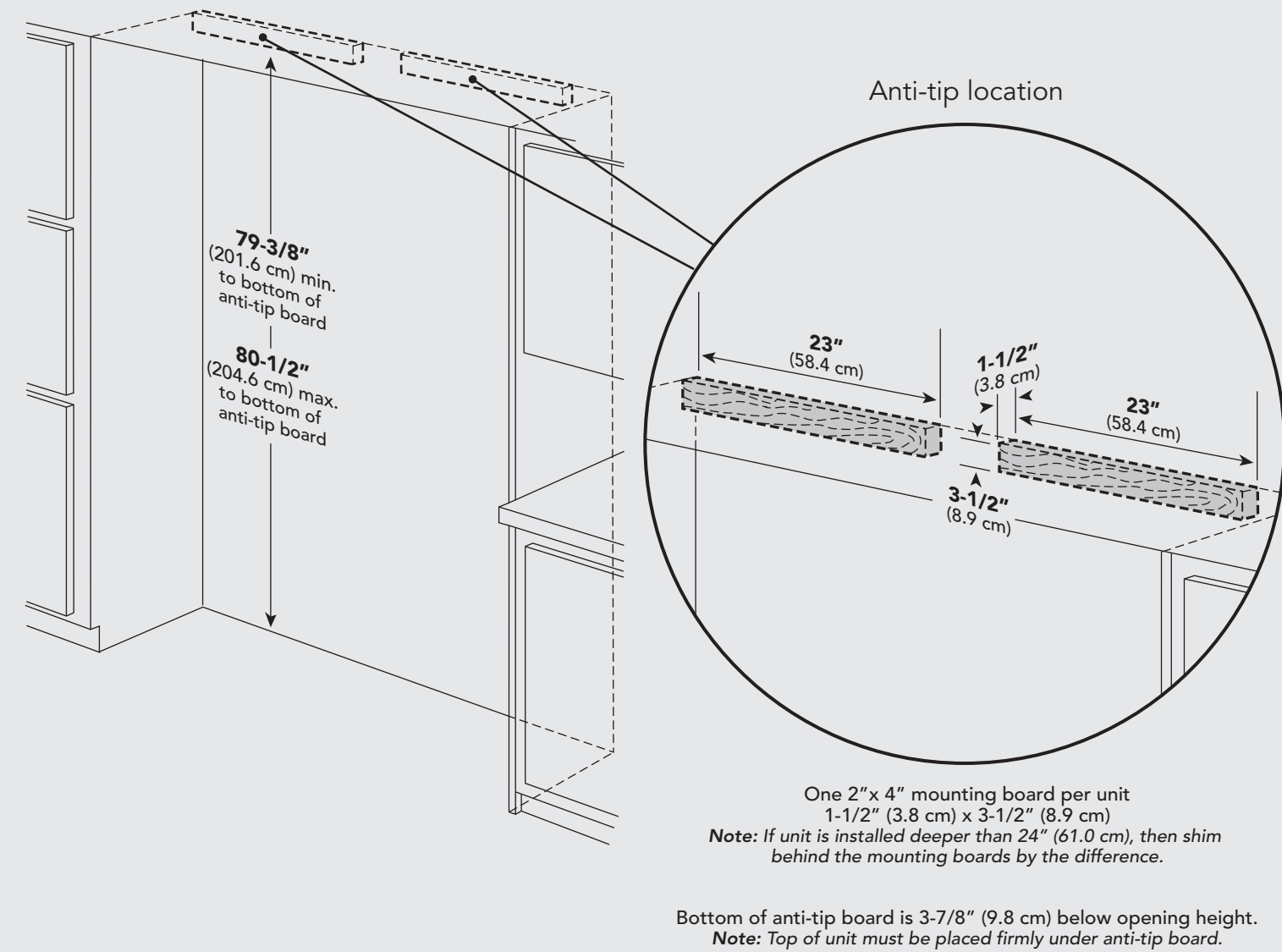
Cutout Dimensions (All Refrigerator/Freezer)

Dual 30" All Refrigerator/Freezer



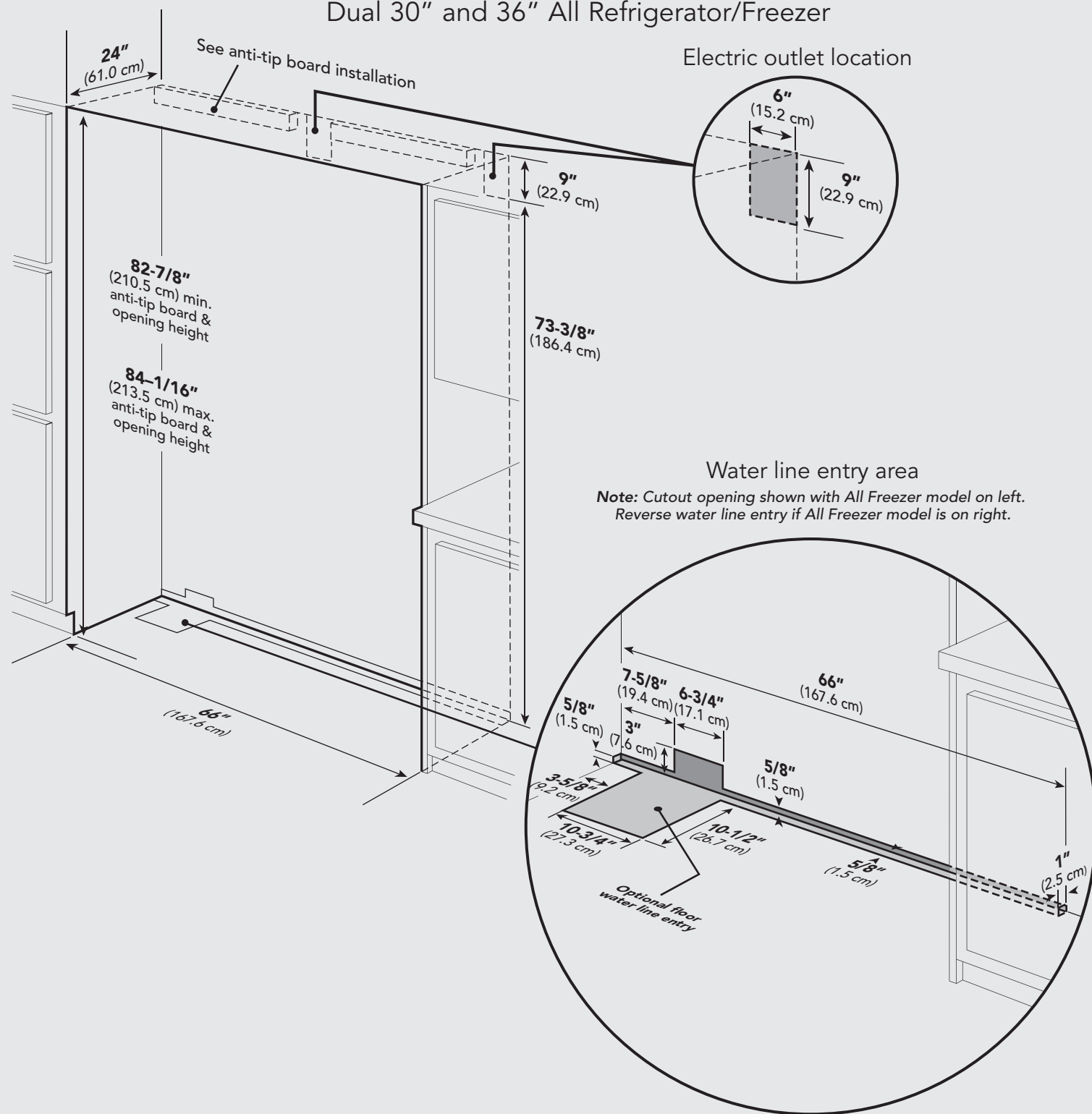
Anti-Tip Dimensions (All Refrigerator/Freezer)

Dual 30" All Refrigerator/Freezer



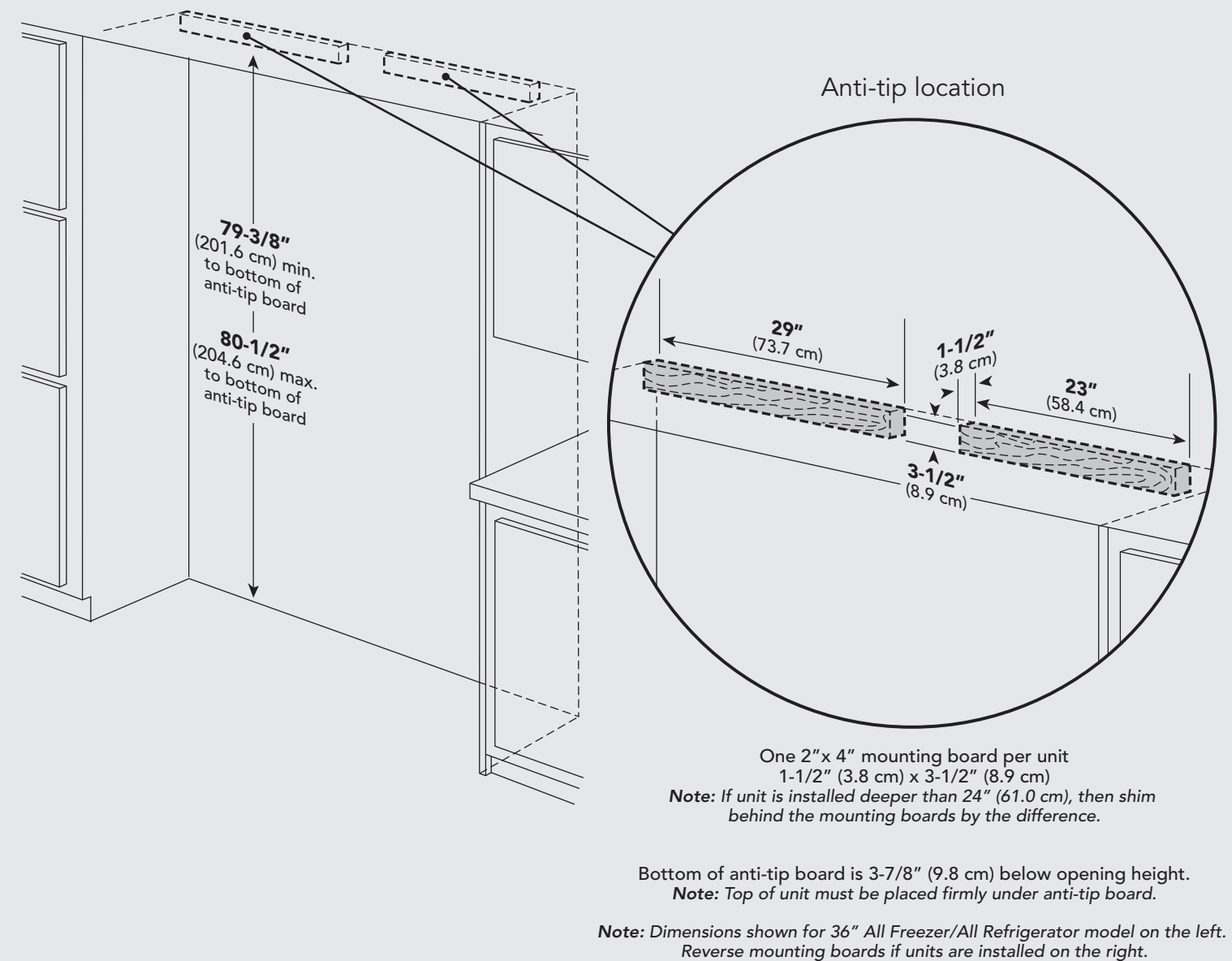
Cutout Dimensions (All Refrigerator/Freezer)

Dual 30" and 36" All Refrigerator/Freezer

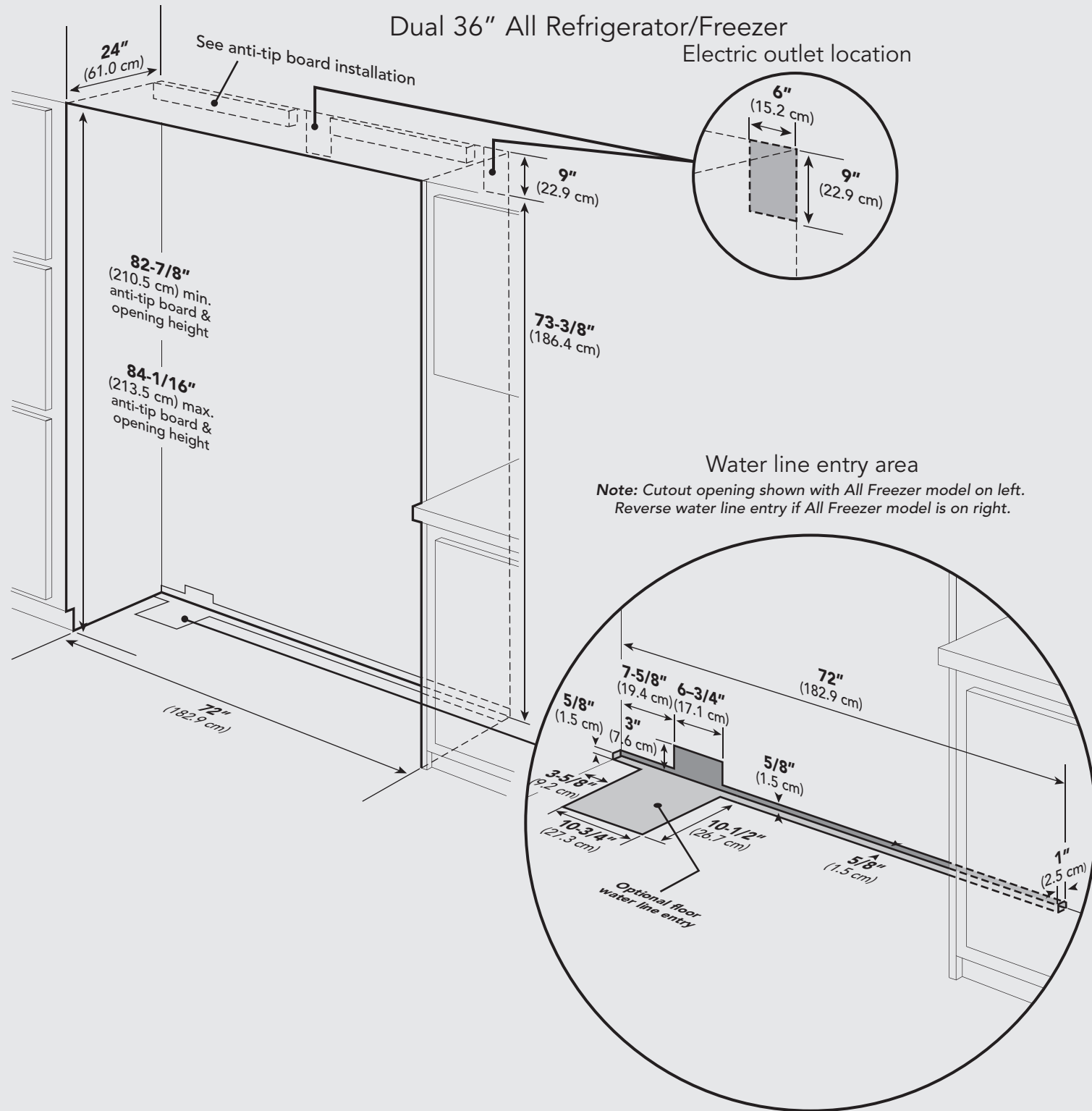


Anti-Tip Dimensions (All Refrigerator/Freezer)

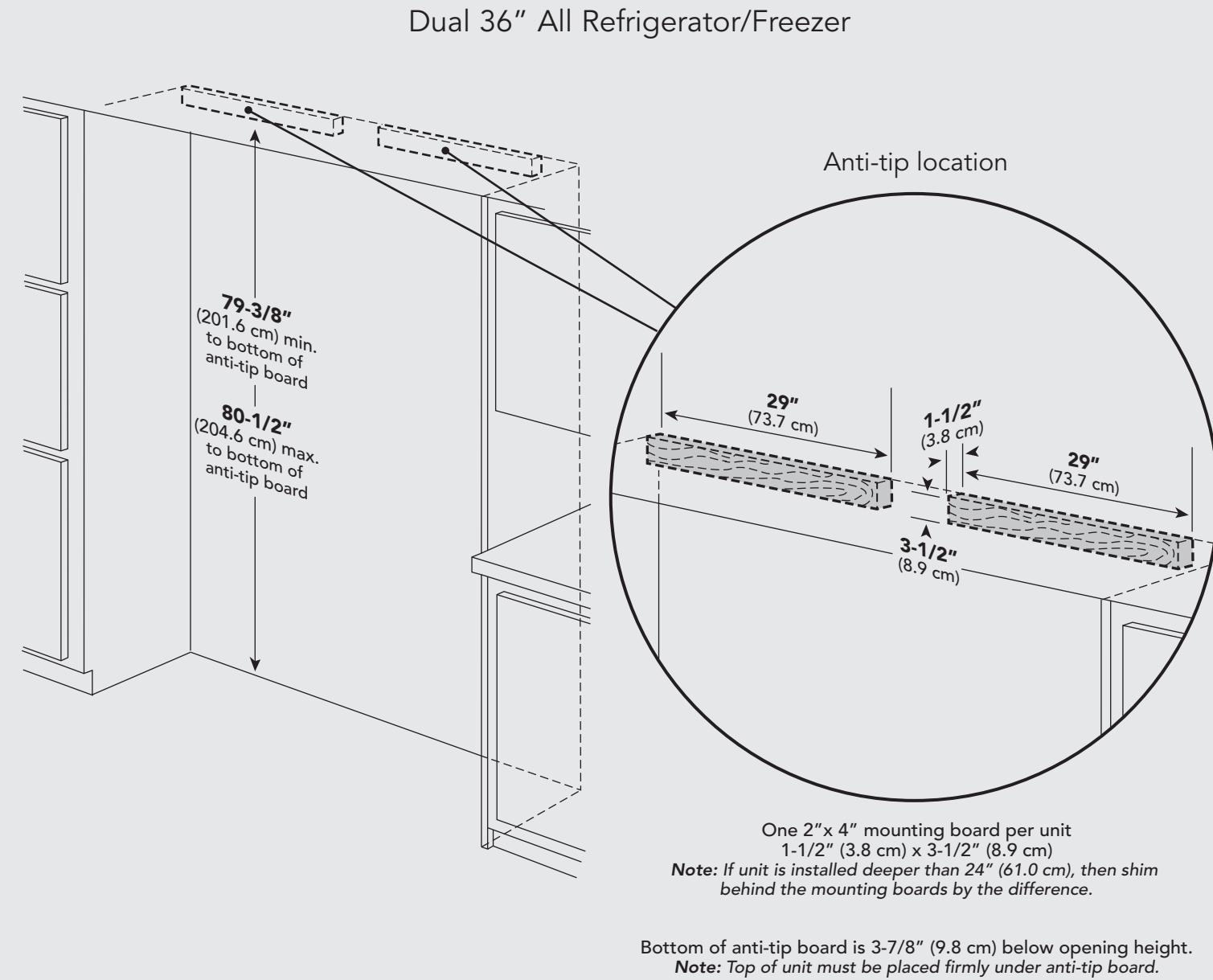
Dual 30" and 36" All Refrigerator/Freezer



Cutout Dimensions (All Refrigerator/Freezer)

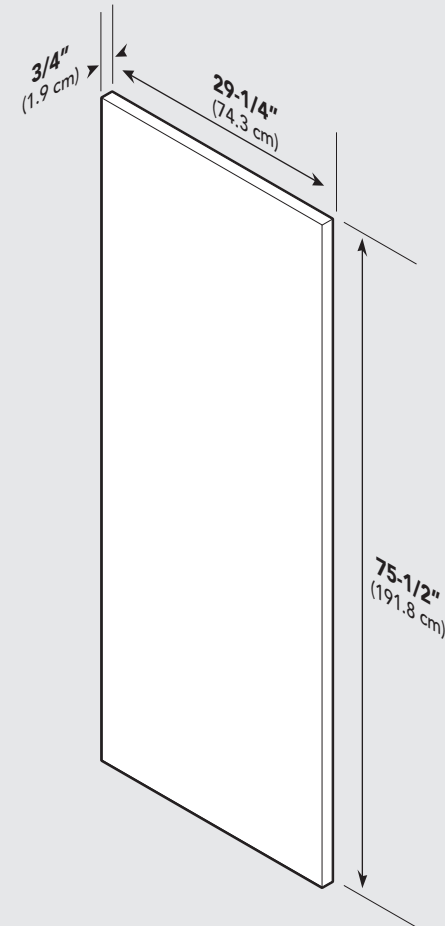


Anti-Tip Dimensions (All Refrigerator/Freezer)

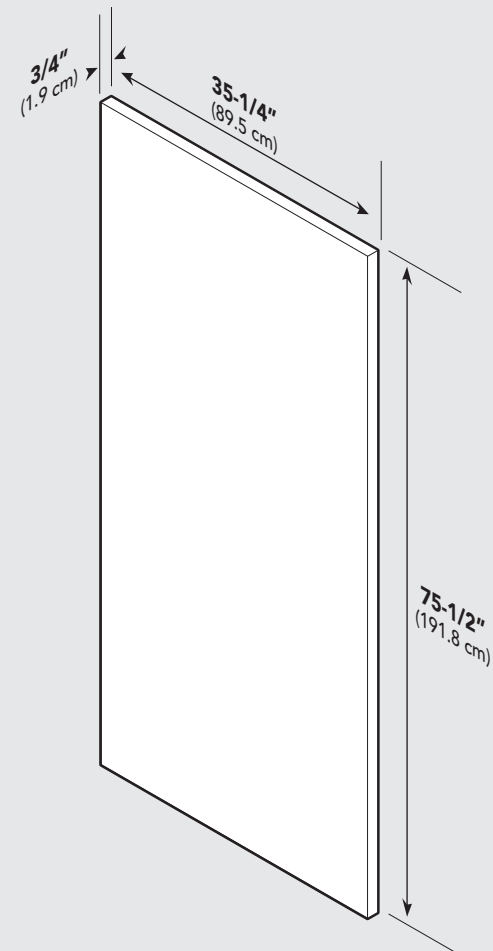


Overlay Dimensions (All Refrigerator/Freezer)

30" Custom Panels



36" Custom Panels



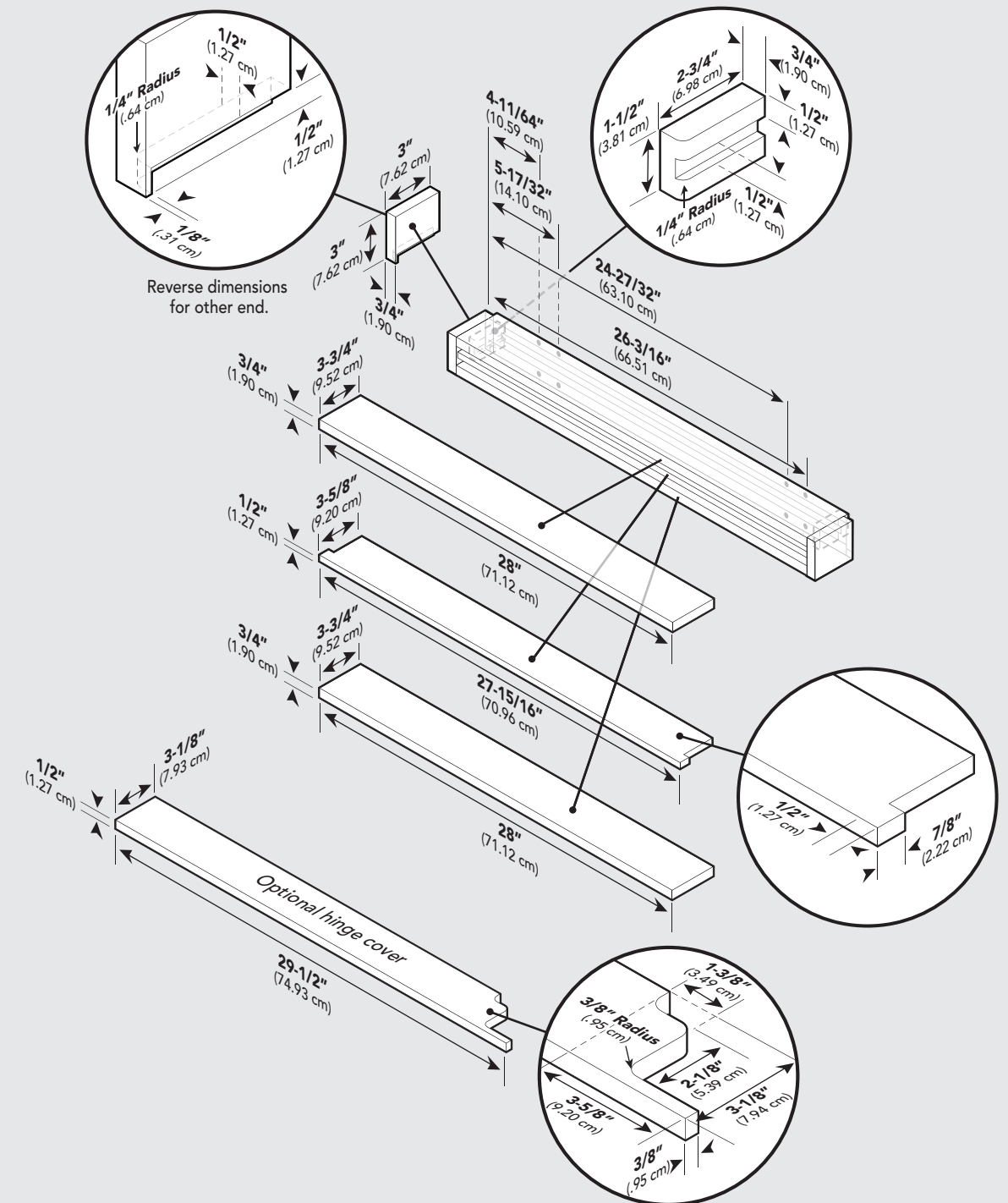
Note: Hardware placement can vary depending on single or dual installation.

Note: Panel overlays must be dry, solid, straight one piece panels. The use of multiple panel pieces to achieve the dimensions is not recommended.

Note: If 1/4" back panel is used, the dimensions are 1/4" smaller than the dimensions shown.

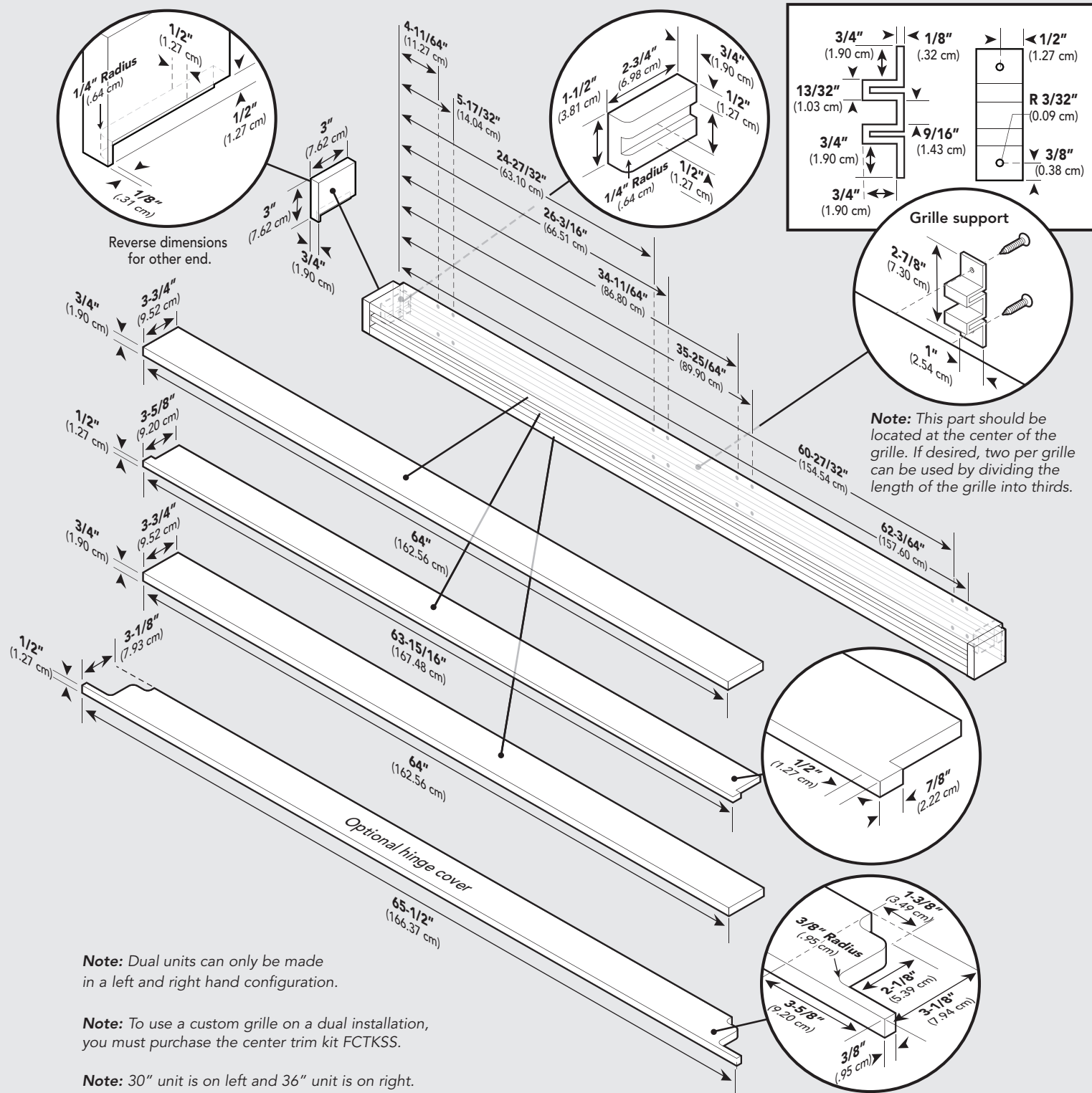
Custom Grille Dimensions (All Refrigerator/Freezer)

30" Custom Grille



Custom Grille Dimensions (All Refrigerator/Freezer)

Dual 30" and 36" Custom Grille



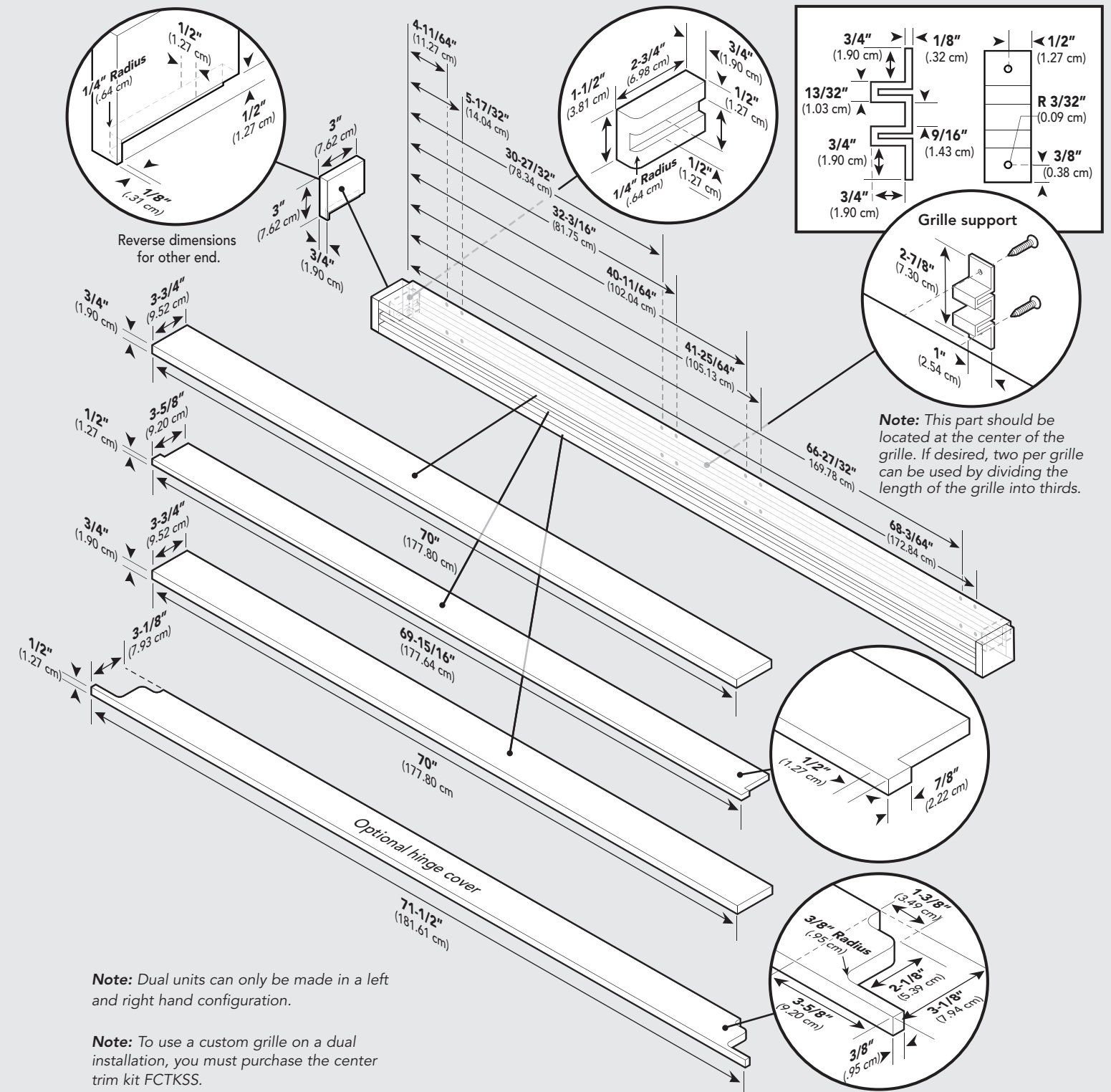
Note: Dual units can only be made in a left and right hand configuration.

Note: To use a custom grille on a dual installation, you must purchase the center trim kit FCTKSS.

Note: 30" unit is on left and 36" unit is on right.

Custom Grille Dimensions (All Refrigerator/Freezer)

Dual 36" Custom Grille

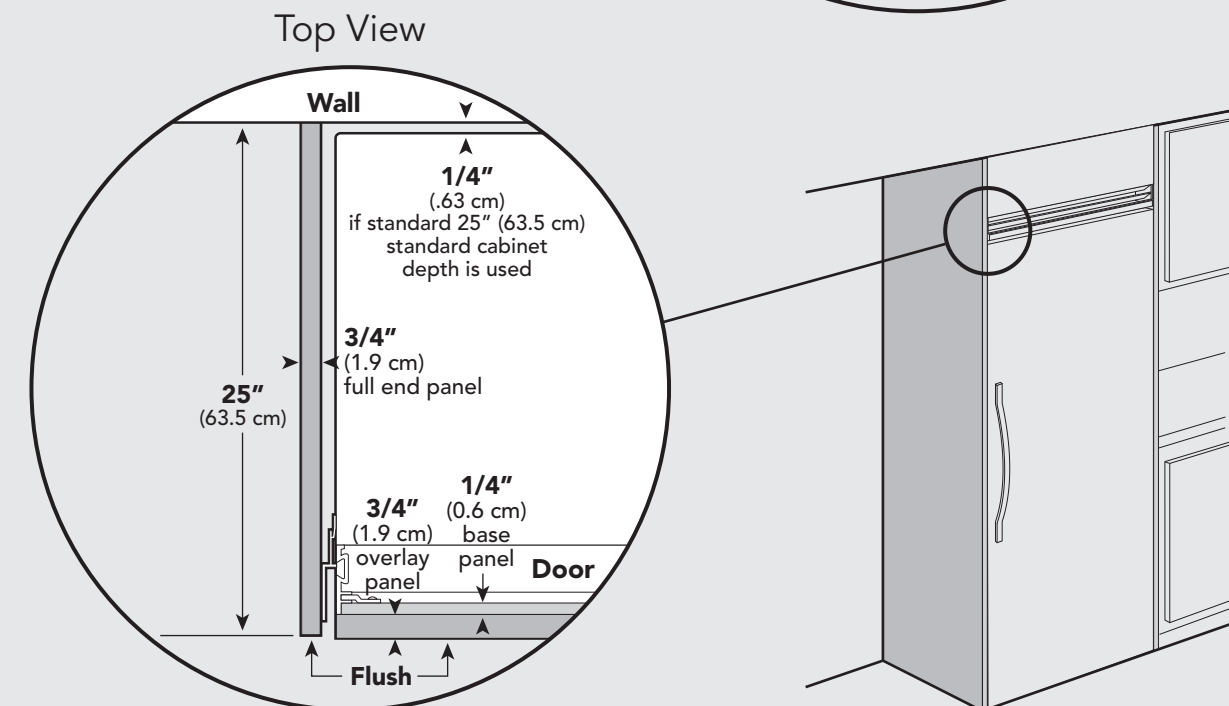
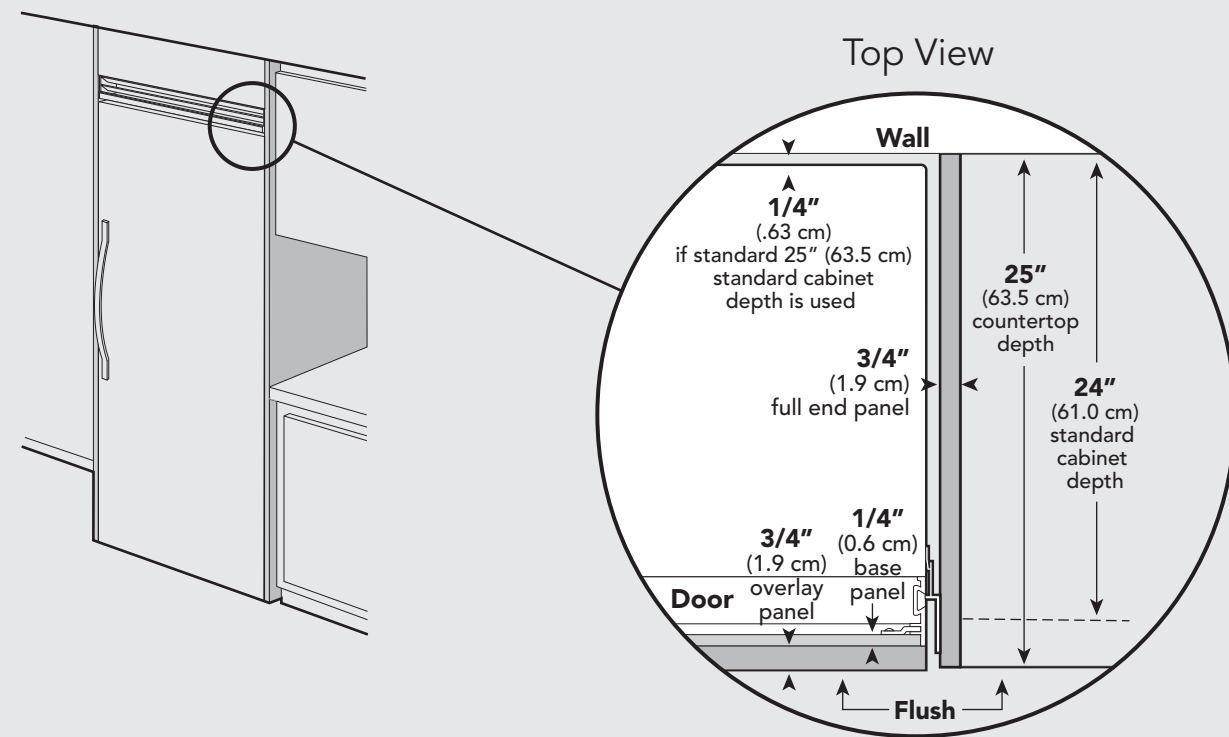


Note: Dual units can only be made in a left and right hand configuration.

Note: To use a custom grille on a dual installation, you must purchase the center trim kit FCTKSS.

Cabinet Information

Full overlay models, (with 3/4" [1.9 cm], thick panels and custom handles locally supplied), fit flush in 25" (63.5 cm) deep (countertop depth) cabinet openings with no protrusion into room except custom handles



Cabinet Information

Full overlay models can be installed in standard 24" (61.0 cm) deep openings. However, the door faces and top ventilation grille will protrude 3/4" (1.9 cm) into the room. This is ideal for alignment with full overlay cabinet doors.

