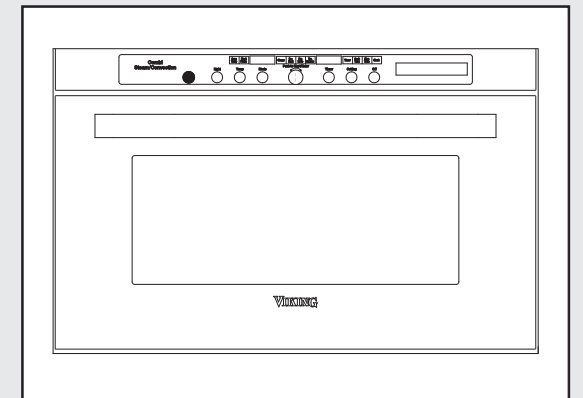
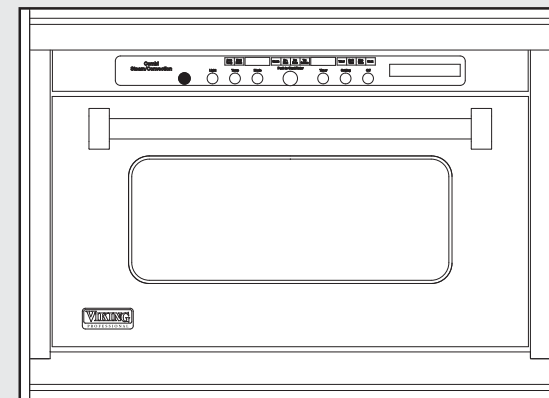


Viking Installation Guide



Viking Range Corporation
111 Front Street
Greenwood, Mississippi 38930 USA
(662) 455-1200

For product information,
call 1-888-VIKING1 (845-4641)
or visit the Viking Web site at
vikingrange.com



Built-In Electric
Combi Steam/Convection Oven



(CC062707J)
J690.160

Table of Contents

Warnings & Important Information _____	2
Dimensions & Specifications (Professional Series) _____	3
Dimensions & Specifications (Designer Series) _____	4
Cutout Dimensions (Professional & Designer Series) _____	5
General Information _____	6
Recommendations for Moving _____	6
Installation _____	7
Site Preparation _____	7
Installation Procedure _____	7-9
Trim Kit Specifications _____	9
Performance Checklist _____	10
Final Preparation _____	11
Service & Parts _____	11
Wiring Diagram _____	12
Electrical Requirements _____	12
Maximum Amp Usage _____	12

IMPORTANT—Please Read and Follow!

- Before beginning, read these instructions thoroughly and carefully.
- This unit includes metal parts, therefore, caution should be used in the handling and installation of this product to avoid the possibility of injury.
- Do not remove permanently affixed labels, warnings or plates from the product as this may void the warranty.
- Observe all local and national codes, requirements and ordinances.
- Installation must conform with local codes or in the absence of codes, the National Electrical Code, ANSI/NFPA 70 – latest edition.
- IN MASSACHUSETTS: This appliance must be installed by a Massachusetts licensed plumber or electrician.
- IN CANADA: Installation must be in accordance with the current CSA C22.1 Canadian Electrical Codes Part 1 and/or local codes.
- Installers should leave this guide with the consumer who should retain it for the local inspector’s use and for future reference.
- Consumer should retain this guide for the local Electrical inspector’s use.

⚠ WARNING
This appliance is heavy – use extreme care when handling!

⚠ WARNING
DO NOT use the handle or appliance door to lift the appliance. Remove door before installation to ensure that it is not used to lift the unit.

⚠ WARNING
The appliance should not be used for space heating. This information is based on safety considerations.

⚠ WARNING
The misuse of the appliance door(s) (e.g. stepping, sitting, or leaning on them) can result in hazards or injuries and damage to the product.

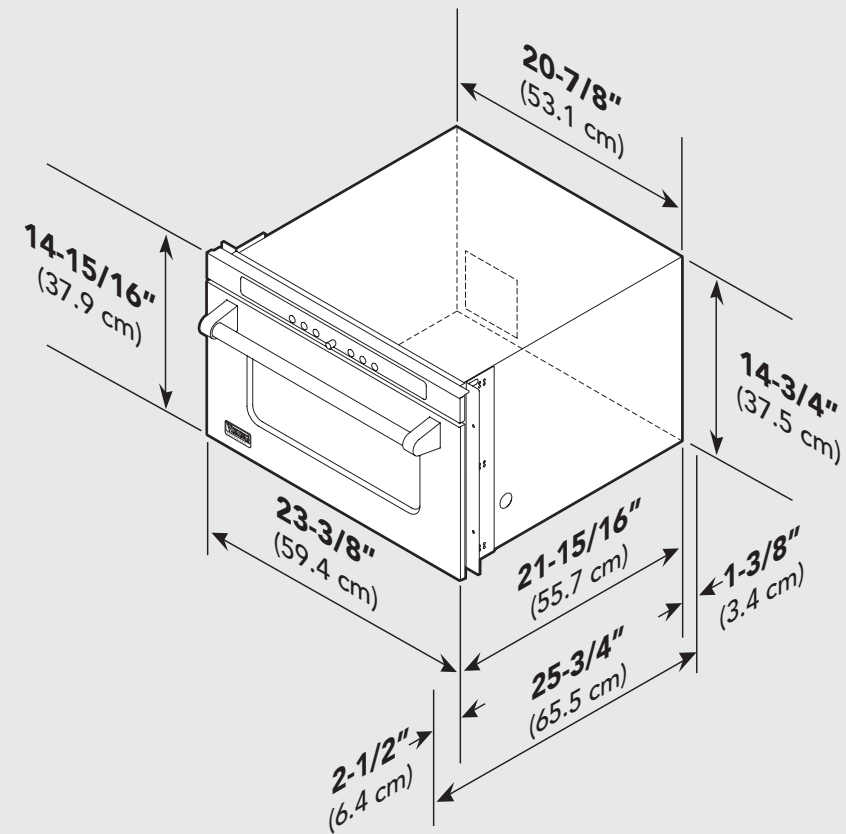
⚠ WARNING
ELECTRICAL GROUNDING INSTRUCTIONS
This appliance must be electrically in accordance with local codes, or grounded in the absence of local codes, the National Electrical ANSI/NFPA 70, latest edition.

⚠ WARNING
The use of cabinets for storage above the appliance may result in potential fire or burn hazard.

⚠ WARNING
To reduce the risk of tipping the appliance, the appliance must be secured by properly installing anti-tip devices packed with the appliance.

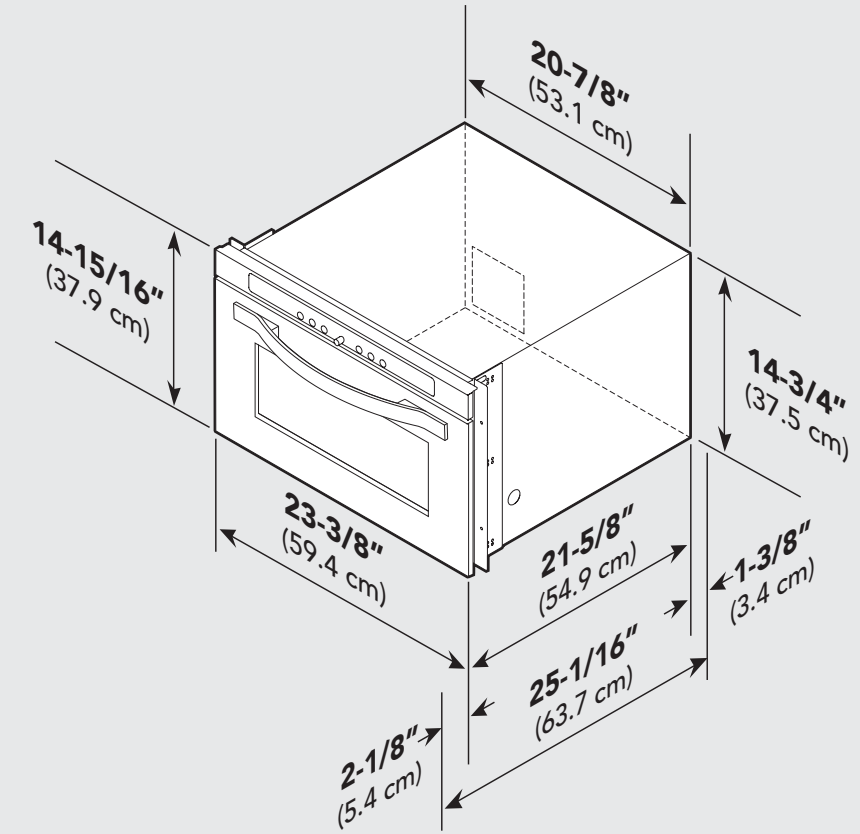
⚠ WARNING
Frame grounded by a 3-conductor cable assembly. **DO NOT** use an extension cord with this appliance. Such use may result in fire, electrical shock, or other personal injury.

Dimensions & Specifications (Professional Series)



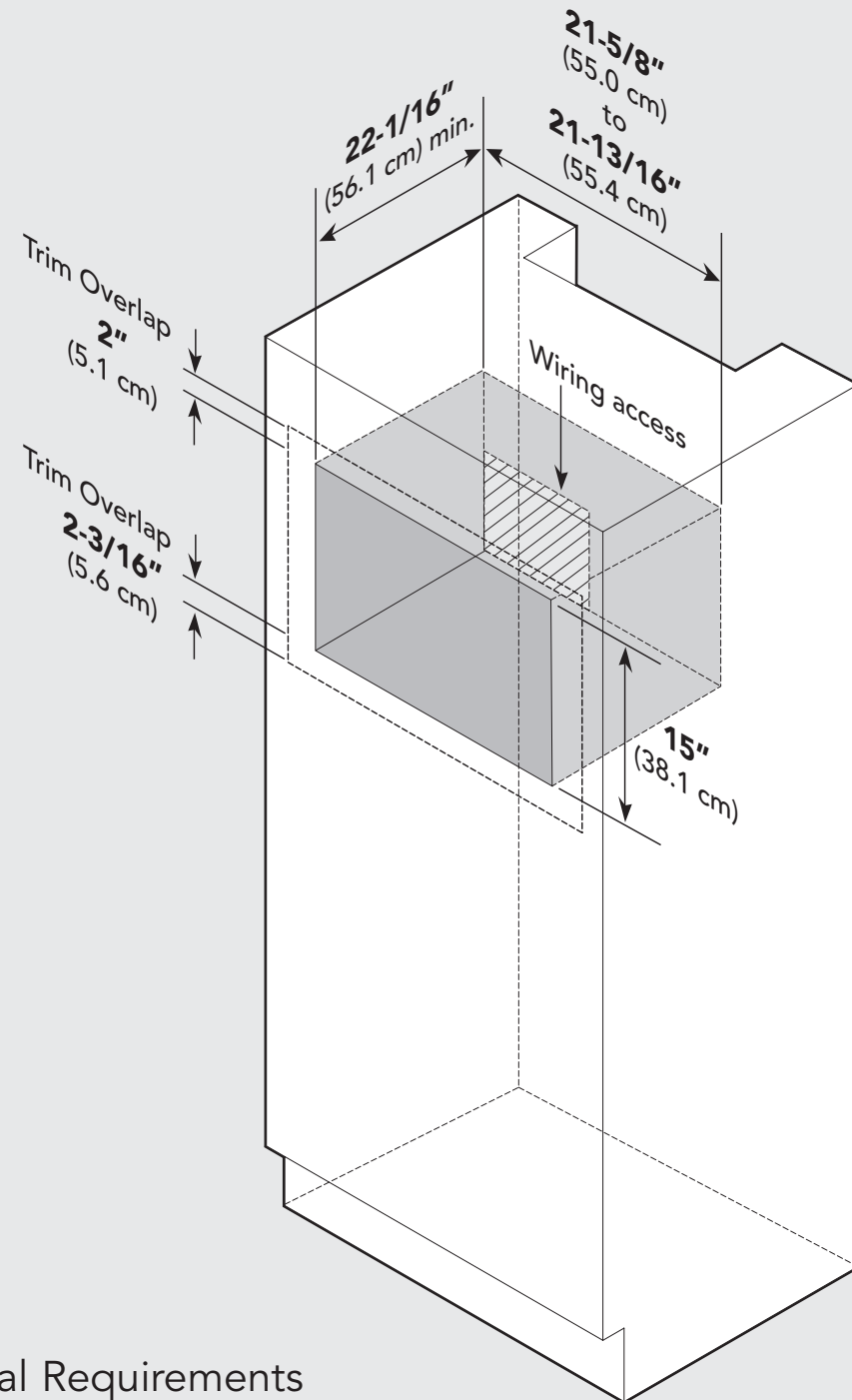
Professional Built-In Electric Combi Steam/Convection Oven	
Description	VCSO244
Overall width	23-3/8" (59.4 cm)
Overall width (with lateral holders)	23-3/4" (60.3 cm)
Overall height	14-15/16" (37.9 cm)
Overall depth (to the edge of door)	21-15/16" (55.7 cm)
Overall depth (to front of handles)	24" (62.1 cm)
Overall depth (from electrical)	25-3/4" (65.4 cm)
Cutout width	21-5/8" (65.5 cm)
Cutout height	15" (38.1 cm)
Cutout depth	22-1/16" (56.0 cm)
Electrical requirements	4 ft. (121.9 cm) flexible stainless steel conduit 4 – wire ground, 240 VAC, 16 amp electrical connection Unit is equipped with No. 14 ground in unit
Maximum amp usage	16.0 amps – 240 VAC 13.9 amps – 208 VAC
Appliance interior width	12-1/8" (31.3 cm)
Appliance interior height	10-1/4" (26.0 cm)
Appliance interior depth	15-1/2" (39.3 cm)
Open cavity volume	1.1 cu. ft. (31 L)
Approximate shipping weight	73 lbs. (34 kg)

Dimensions & Specifications (Designer Series)



Designer Built-In Electric Combi Steam/Convection Oven	
Description	DCSO244
Overall width	23-3/8" (59.4 cm)
Overall width (with lateral holders)	23-3/4" (60.3 cm)
Overall height	14-15/16" (37.9 cm)
Overall depth (to the edge of door)	21-5/8" (54.9 cm)
Overall depth (to front of handles)	23-1/2" (60.3 cm)
Overall depth (from electrical)	25-1/16" (63.7 cm)
Cutout width	21-5/8" (54.9 cm)
Cutout height	15" (38.1 cm)
Cutout depth	22-1/16" (56.0 cm)
Electrical requirements	4 ft. (121.9 cm) flexible stainless steel conduit 4 – wire ground, 240 VAC, 16 amp electrical connection Unit is equipped with No. 14 ground in unit
Maximum amp usage	16.0 amps – 240 VAC 13.9 amps – 208 VAC
Appliance interior width	12-1/8" (31.3 cm)
Appliance interior height	10-1/4" (26.0 cm)
Appliance interior depth	15-1/2" (39.3 cm)
Open cavity volume	1.1 cu. ft. (31 L)
Approximate shipping weight	72 lbs. (33 kg)

Cutout Dimensions (Professional & Designer Series)



Electrical Requirements

3/4-wire ground, 208-240V/60Hz
No. 14 ground wire in unit; 4 ft. cord

General Information

- All openings in the wall behind the oven or in the floor under the oven should be sealed.
- Keep oven area clear and free from combustible materials, gasoline and other flammable vapors.
- Disconnect the electrical supply prior to servicing or cleaning.
- When removing the oven for service, disconnect AC power supply and carefully remove the appliance by pulling forward.

⚠ CAUTION

This appliance is heavy – use extreme care when handling!

- Electrical requirements are listed in the product specifications under the electrical requirements section.
- DO NOT remove protective packaging until you are ready to perform the installation.
- DO NOT remove the protective wrapping from the product control panel until the product is installed.

Recommendations for Moving

- The appliance is heavy – use extreme care when handling!
- Only proper equipment should be used to move products.

- ALWAYS take steps to protect flooring at the installation location when moving products.

⚠ WARNING

DO NOT use the handle or appliance door to lift the appliance. Remove door before installation to ensure that it is not used to lift the unit. **Do not lift or carry the door by the handle.**

- * Refer to the Use & Care Manual for properly removing the door.

Installation

Site Preparation

NOTE: It is recommended that a thorough site inspection be conducted PRIOR to unpacking and moving this appliance.

⚠ WARNING

DO NOT use the handle or appliance door to lift the appliance. Remove door before installation to ensure that it is not used to lift the unit. **Do not lift or carry the door by the handle.**

* Refer to the Use & Care Manual for properly removing the door.

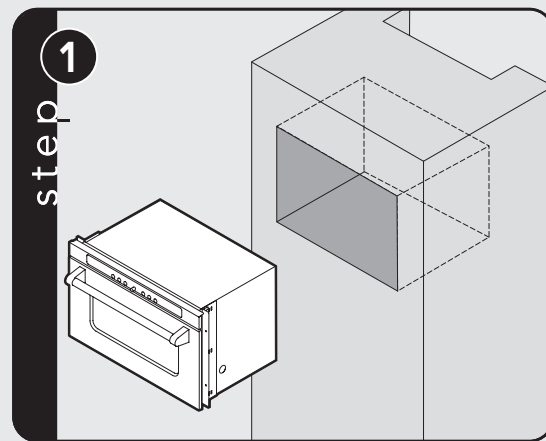
- Confirm available access to adequate power – see electrical requirements.
- It is recommended that 3/4" or larger material be utilized to create a support platform for this appliance.
- **BE SURE** that support for this appliance is perpendicular to the front facing of the wall or cabinet before you perform the installation.

- All openings in the wall behind the oven or in the floor under the oven should be sealed.
- Keep oven area clear and free from combustible materials, gasoline and other flammable vapors.

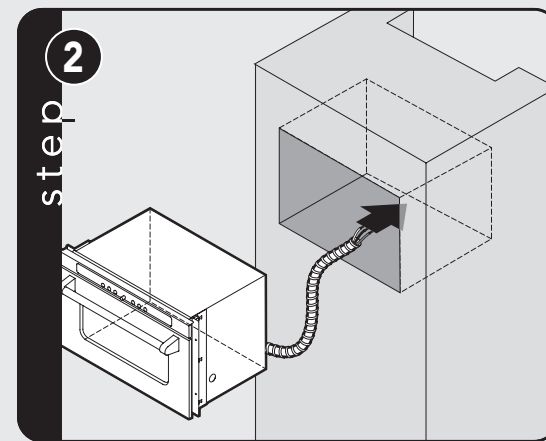
⚠ WARNING

DO NOT use an extension cord with this appliance. Such use may result in fire, electrical shock or other personal injury.

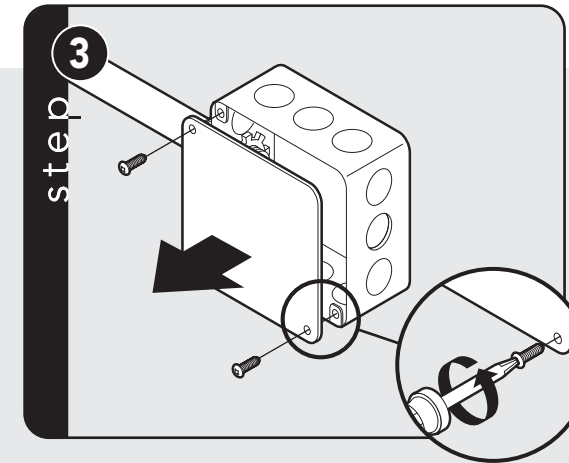
Installation Procedure



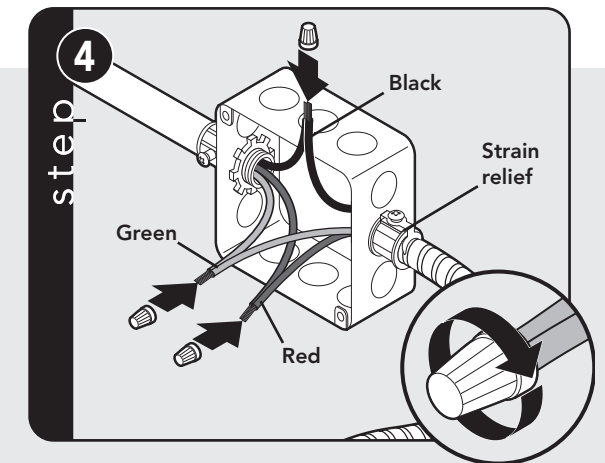
Place the oven in front of the cabinet opening.



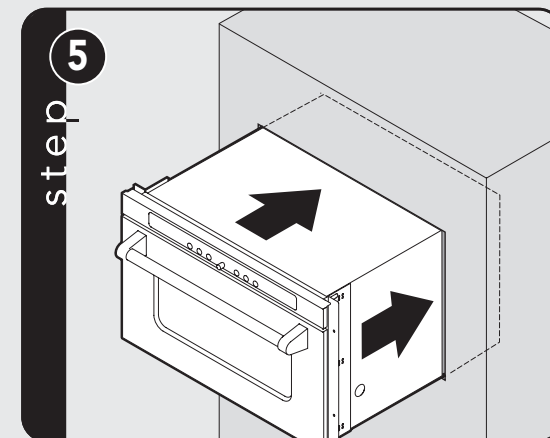
Feed the flexible cable conduit from the oven through the opening in the cabinet.



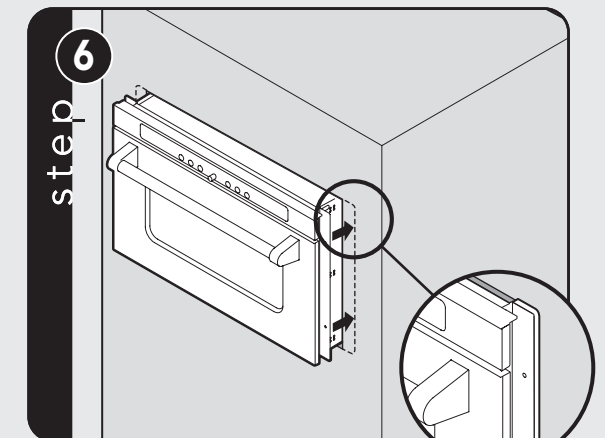
Remove the junction box cover.



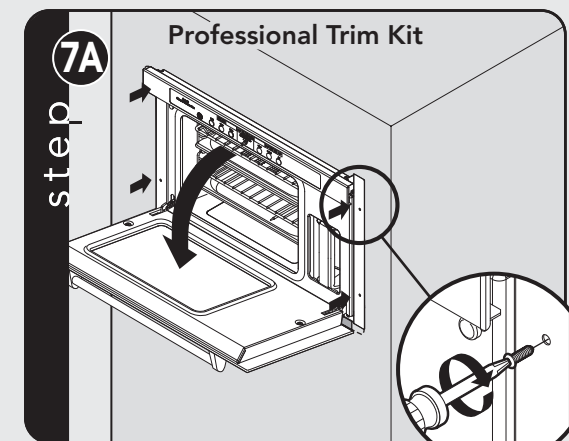
Connect green wire from oven to the supply cable ground wire inside the junction box. Connect black and red wires from oven to matching color wires from supply cable in junction box.



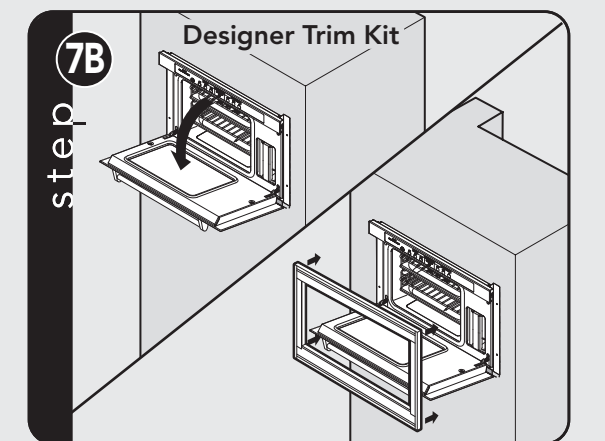
Insert oven into the cabinet opening.



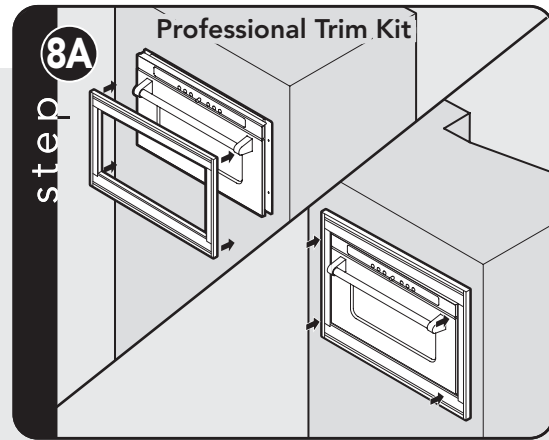
Push the oven in and against the cabinet until the lateral holders of the oven touch the front of the cabinet. Avoid pinching the conduit between the oven and the wall. Be sure the oven is placed at the center of the opening.



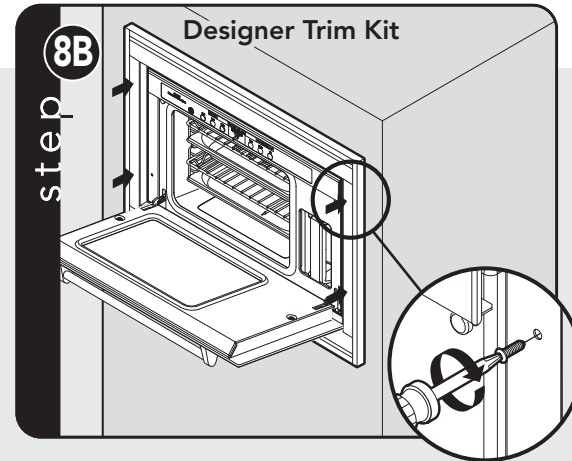
Open the oven door and attach the oven to the front of the cabinet with 4 screws.



Open the oven door. Pass the trim kit over the door towards the front of the cabinet.



Close oven door and position the trim kit to be square with the oven. Attach the trim kit frame with 4 screws to the front of the cabinet.

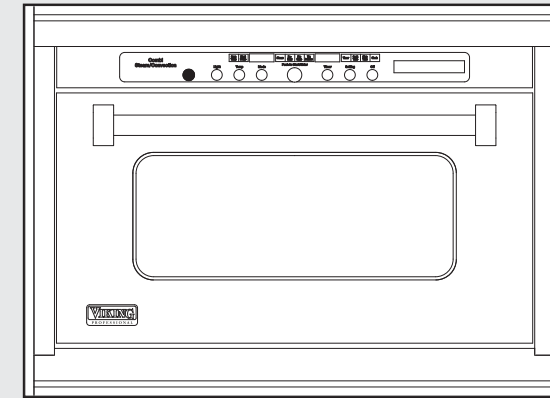


Position the trim kit to be square with the oven. Attach the trim kit frame and the oven with 4 screws to the front of the cabinet.

Trim Kit Specifications (Professional & Designer Series)

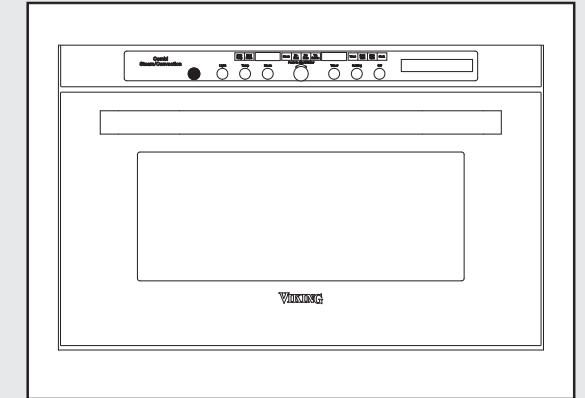
Model	Overall Width	Overall Height
VSTK274	26 1/2" (67.3 cm)	19 3/16" (48.7 cm)
VSTK304	29 1/2" (74.9 cm)	
VSTK364	35 1/2" (90.2 cm)	
DSTK274	26 1/2" (67.3 cm)	18 7/8" (48.0 cm)
DSTK304	29 1/2" (74.9 cm)	

Performance Checklist



The installer should carry out the following performance checks:

- Check & set clock
- Check Steaming
- Check Reheat Plus™ Function
- Check ProBake Cooking
- Check TruConvec™ Cooking
- Check SteamHeat™ Cooking
- Check TruSteam™ Cooking



Any adjustments necessary that are a result of the installer not following instructions will be the responsibility of the installer, dealer or the end user of the product.

Installer's information:

Installer's name: _____

Installer's company: _____

Date: _____

Final Preparation

1. The interior of the oven should be washed thoroughly with hot, soapy water to remove film residues and installation debris before being used for food preparation, then rinsed and wiped dry. Solutions stronger than soapy water are rarely needed.
2. Some stainless steel parts may have a plastic protective wrap, which must be removed. All stainless steel body parts should be washed with hot soapy water and with liquid cleaner designed for this material. If build-up occurs, do not use steel wool, abrasive cloths, cleaners or powders! If it is necessary to scrape stainless steel to remove encrusted materials, soak with hot, wet cloths to loosen the material, then use a wood or nylon scraper. Do not use a metal knife, spatula, or any other metal tool to scrape stainless steel!! Scratches are almost impossible to remove.

Service & Parts

Only authorized replacement parts may be used in performing service on the appliance. Do not repair or replace any part of the appliance unless specifically recommended in the manual. All other servicing should be referred to a qualified technician.

Contact Viking Range Corporation, (888) 845-4641, for the nearest service parts distributor in your area.

Record the following information indicated below. You will need it if service is ever required. The serial number and model number for your appliance are located on the identification plate mounted on the inside of the water tank opening.

Model number

Serial number

Date of purchase

Date installed

Dealer's name

Address

These installation instructions should remain with the unit for future reference.

Wiring Diagram

Electrical Requirements

4-wire ground, 208-240 VAC, 60 Hz
Unit equipped with No. 14 ground wire in unit

Maximum Amp Usage

16.0 amps – 240 VAC
13.9 amps – 208 VAC

