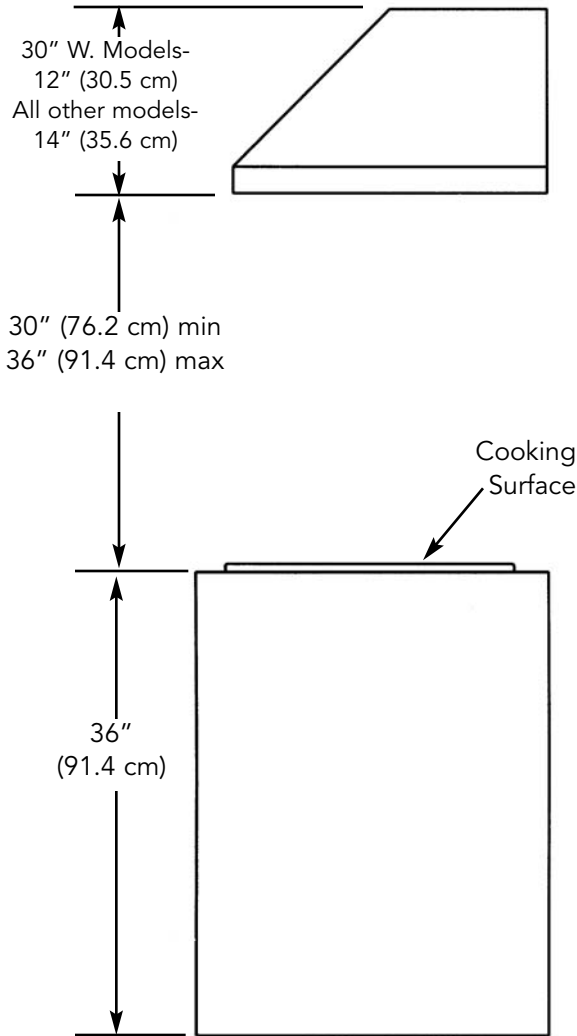


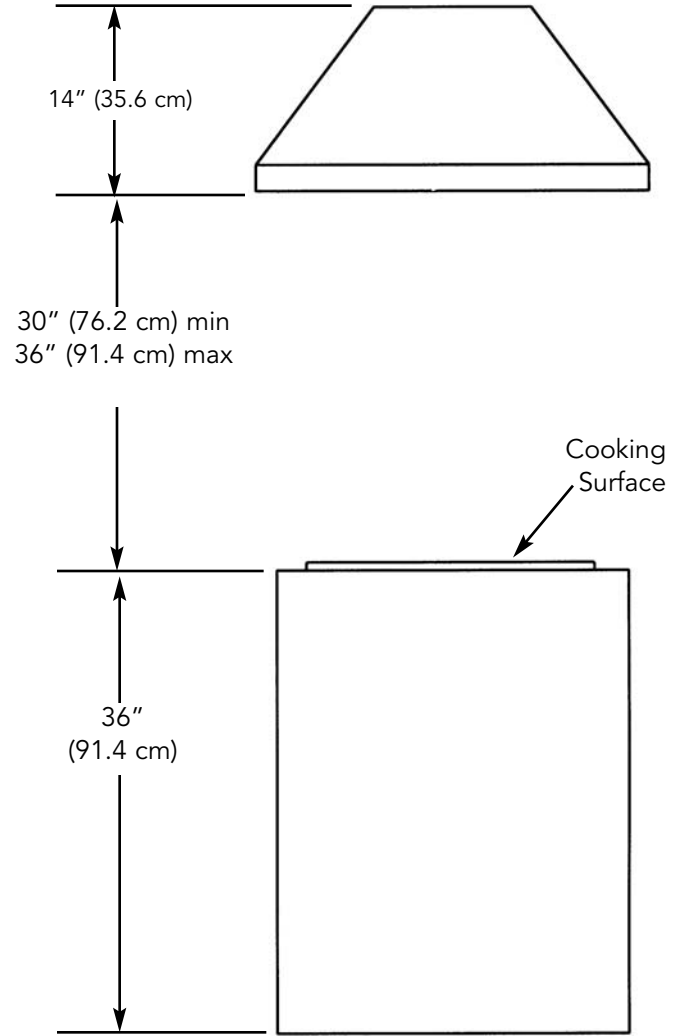
HEIGHT OF HOOD

The bottom of the hood should be 30" (76.2 cm) min. to 36" (91.4 cm) max above the countertop. This would typically result in the bottom of the hood being 66" (167.6 cm) to 72" (182.9 cm) above the floor. For best performance, it is recommended that the bottom of the hood be 30" (76.2 cm) to 33" (83.8 cm) above the countertop. These dimensions provide for safe and efficient operation of the hood.

WALL INSTALLATION

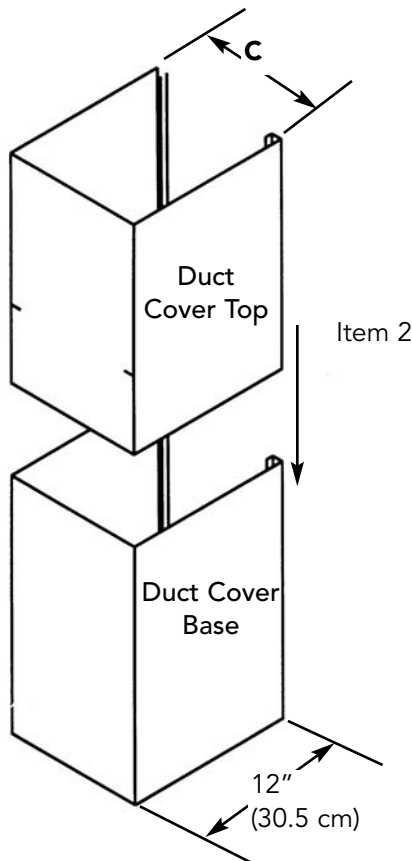
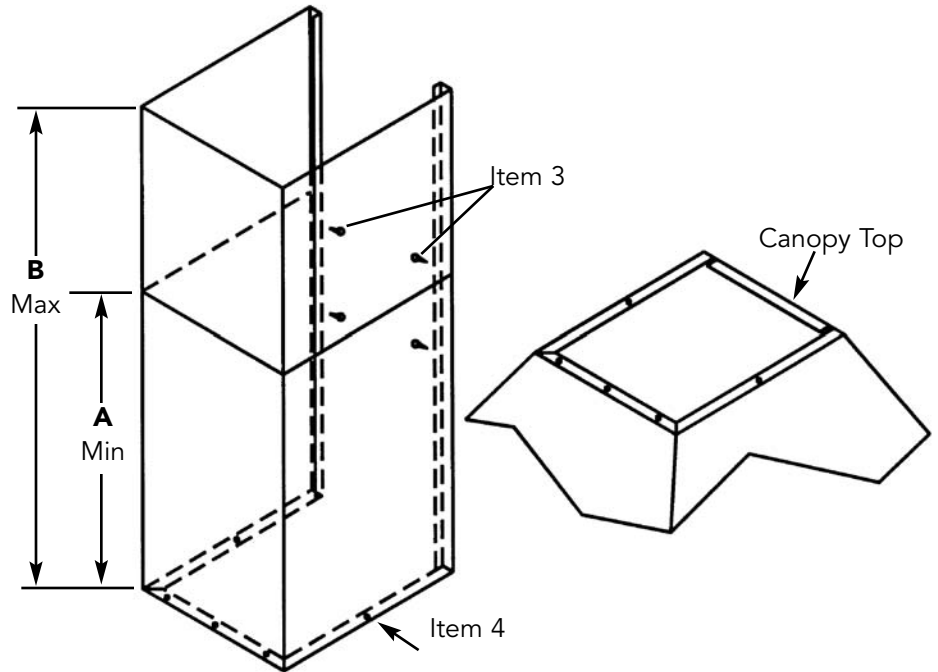
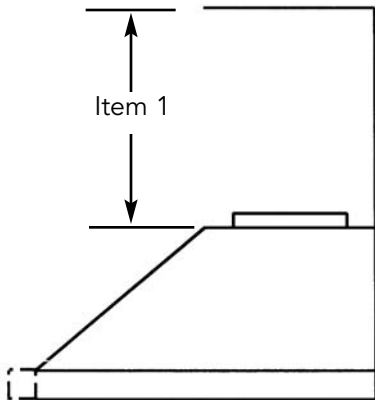


ISLAND INSTALLATION



INSTALLING THE DUCT COVER (WALL HOODS ONLY)

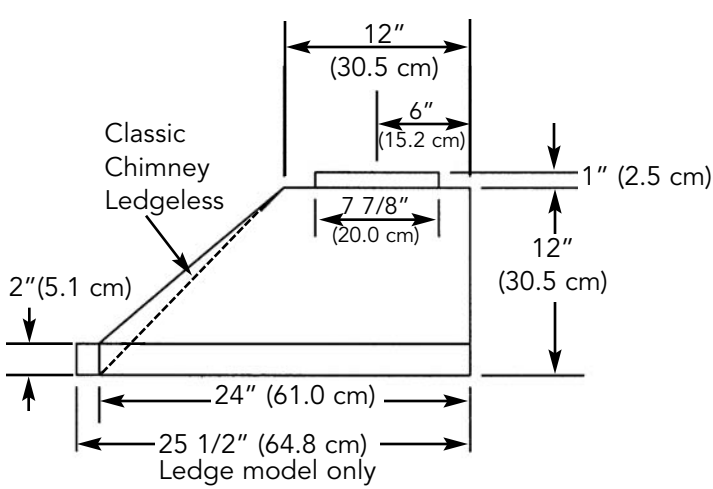
1. Measure from top of the canopy to ceiling and subtract 1/8" (0.3 cm) for clearance.
2. Place the duct cover top inside the duct cover base and lower until desired height is found. (To eliminate scratches, make a mark on the duct cover top for the desired lowering point by subtracting 18" (45.7 cm) from the total height needed.)
3. Use the retaining nuts and bolts to fasten in place.
4. Slide the duct cover in place and fasten from inside canopy using the sheet metal screws provided.
5. Note: For installations with ceilings above 9' (22.9 cm), use optional duct extensions. See product literature for details



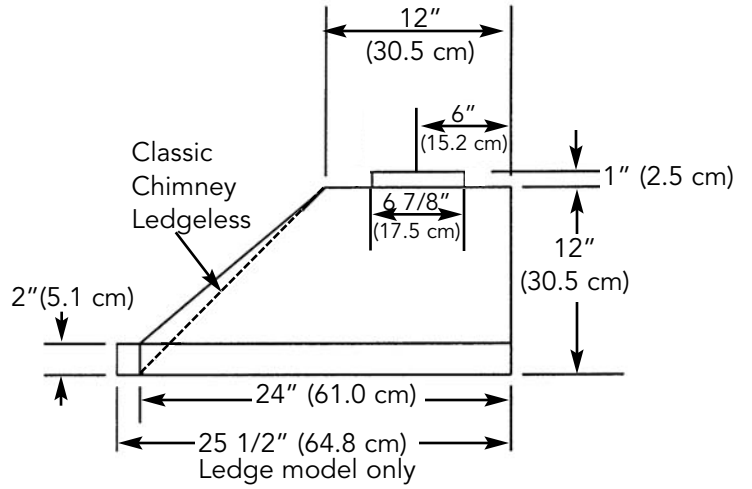
Model	"A" Min.	"B" Max	"C"
DCWH3042	18" (45.7 cm)	30" (76.2 cm)	10" (25.4 cm)
DCWH3644	16" (40.6 cm)	28" (71.1 cm)	12" (30.5 cm)
DCWH4244	16" (40.6 cm)	28" (71.1 cm)	12" (30.5 cm)
DCWH4844	16" (40.6 cm)	28" (71.1 cm)	18" (45.7 cm)
DCWL3342	18" (45.7 cm)	30" (76.2 cm)	10" (25.4 cm)
DCWL3944	16" (40.6 cm)	28" (71.1 cm)	12" (30.5 cm)
DCWL4544	16" (40.6 cm)	28" (71.1 cm)	12" (30.5 cm)
DCWL5144	16" (40.6 cm)	28" (71.1 cm)	18" (45.7 cm)
DCWN3042	18" (45.7 cm)	30" (76.2 cm)	10" (25.4 cm)
DCWN3644	16" (40.6 cm)	28" (71.1 cm)	12" (30.5 cm)
DCWN4244	16" (40.6 cm)	28" (71.1 cm)	12" (30.5 cm)
DCWN4844	16" (40.6 cm)	28" (71.1 cm)	18" (45.7 cm)

WALL HOOD DIMENSIONS

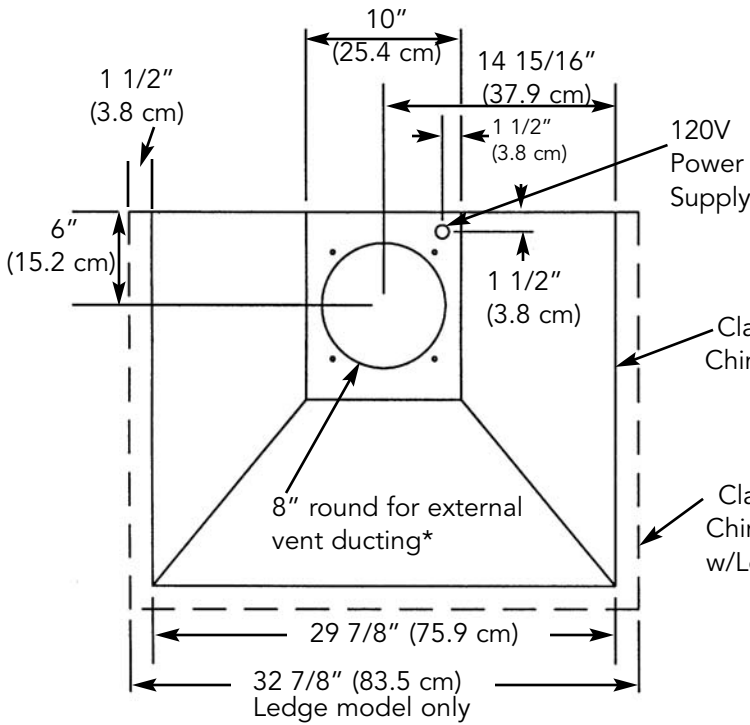
30"W. CLASSIC CHIMNEY, CLASSIC CHIMNEY W/LEDGE, AND CLASSIC CHIMNEY LEDGELESS



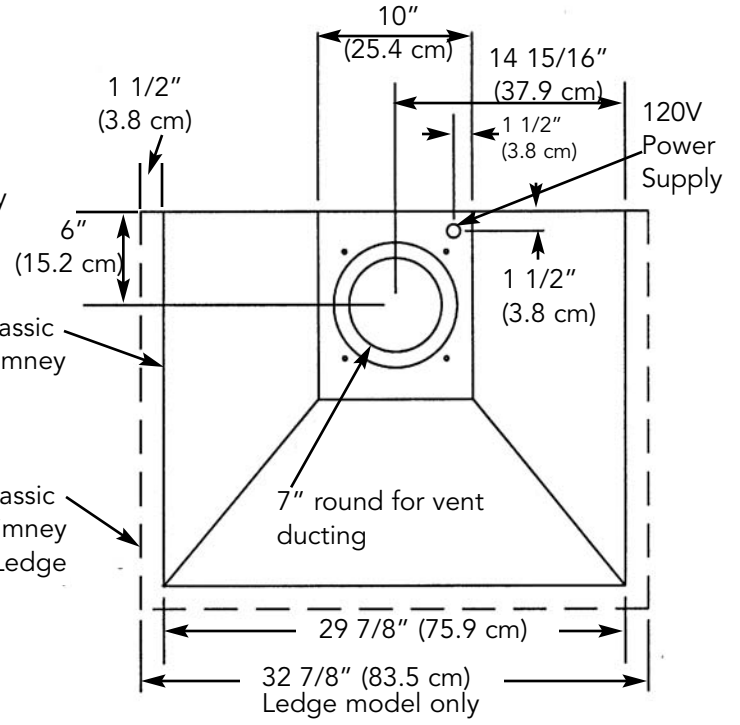
900 or 1200 CFM
External Ventilation Installation



300 or 440 CFM
Internal Ventilation Installation



900 or 1200 CFM
External Ventilation Installation

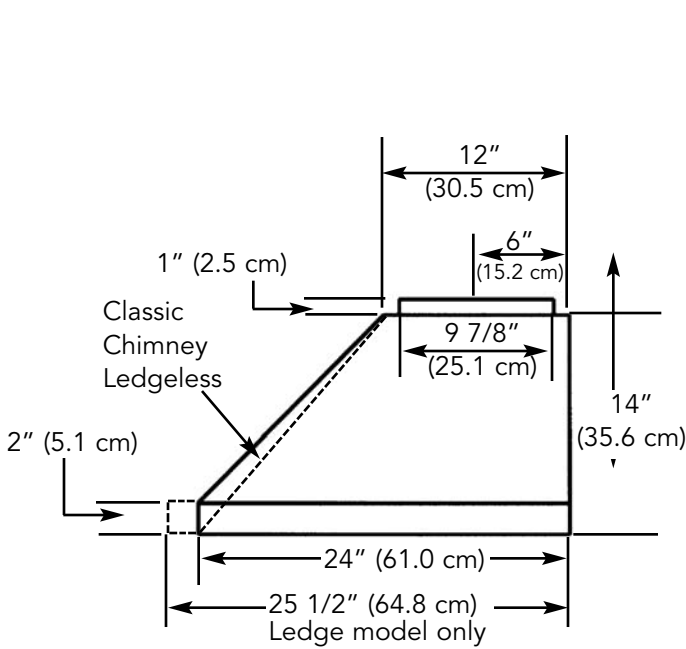


300 or 440 CFM
Internal Ventilation Installation

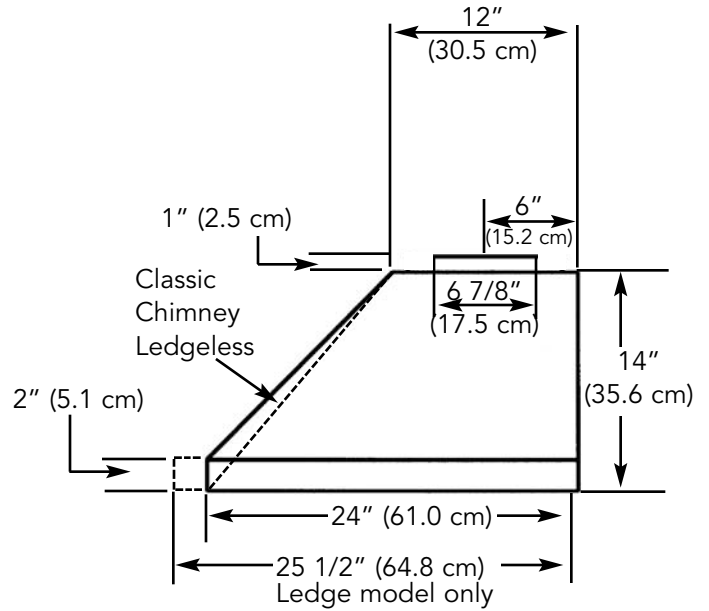
*Must purchase 8" dia. to 10" dia. transition locally.
Transition should be installed past the duct cover.

WALL HOOD DIMENSIONS

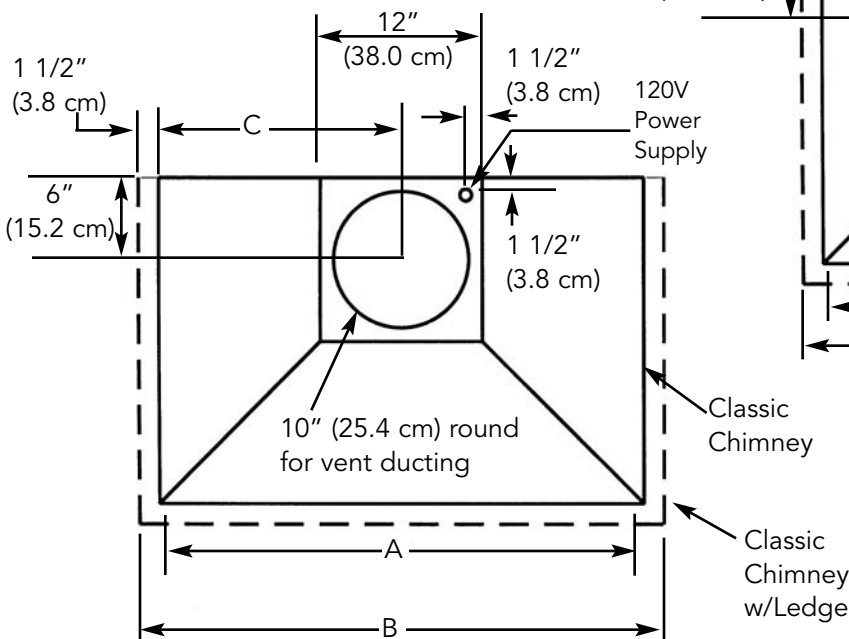
36"W./42"W. CLASSIC CHIMNEY, CLASSIC CHIMNEY W/LEDGE, AND CLASSIC CHIMNEY LEDGELESS



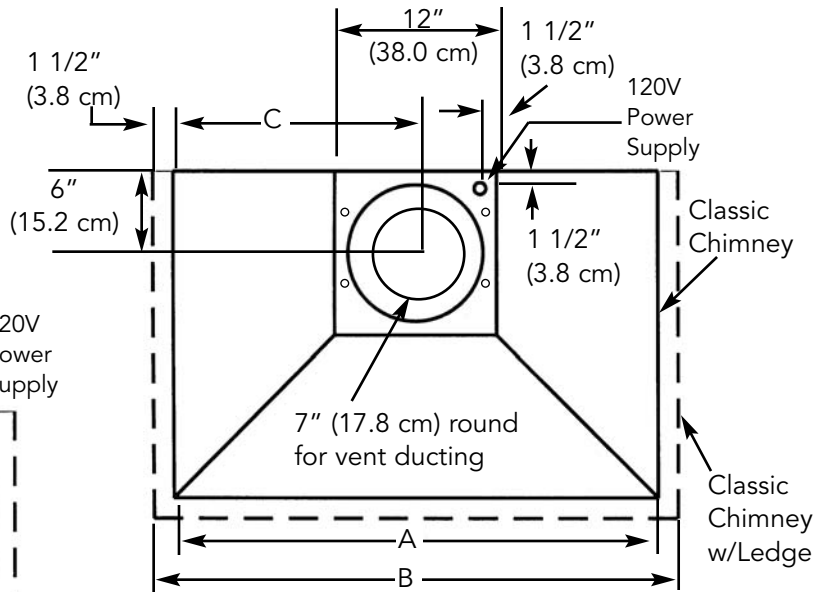
900 or 1200 CFM
External Ventilation Installation



300 or 600 CFM**
Internal Ventilation Installation



900 or 1200 CFM
External Ventilation Installation



300 or 600 CFM**
Internal Ventilation Installation

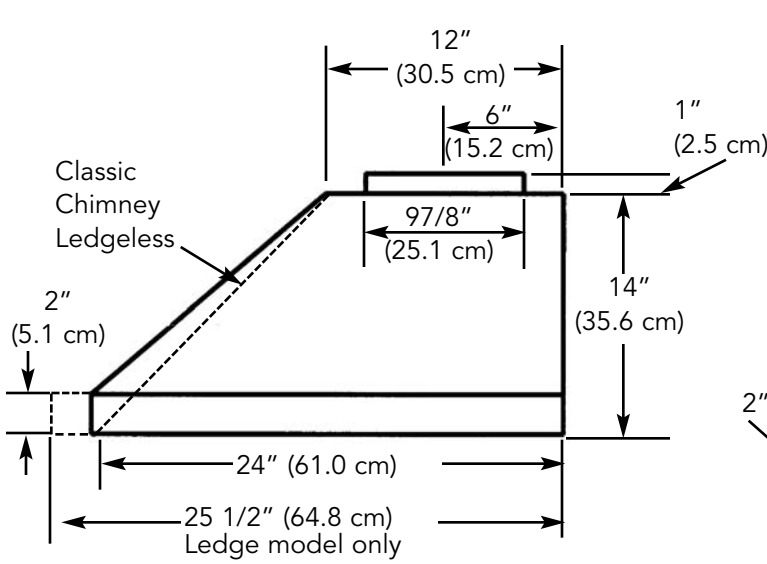
	36"W.	42"W.
A	35 7/8" (91.1 cm)	41 7/8" (103.4 cm)
B*	38 7/8" (98.4 cm)	44 7/8" (114.0 cm)
C	17 15/16" (45.6 cm)	20 15/16" (53.2 cm)

*Ledge models only.

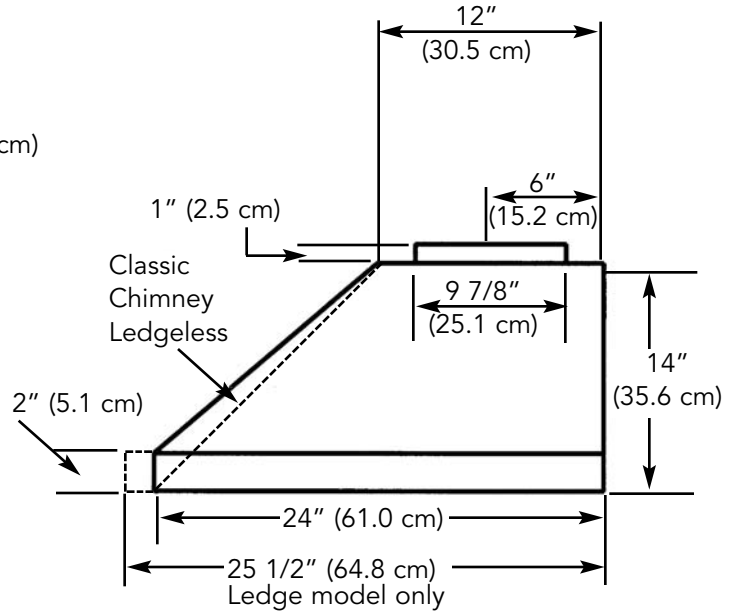
**300 CFM ventilator kits for use with 36" W. hoods only.

WALL HOOD DIMENSIONS

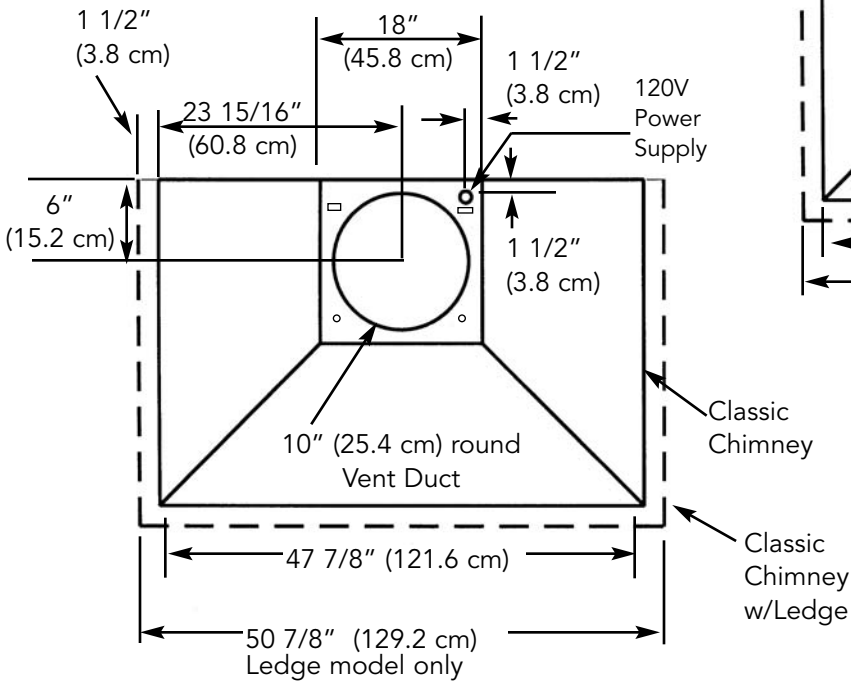
48"W. CLASSIC CHIMNEY, CLASSIC CHIMNEY W/LEDGE, AND CLASSIC CHIMNEY LEDGELESS



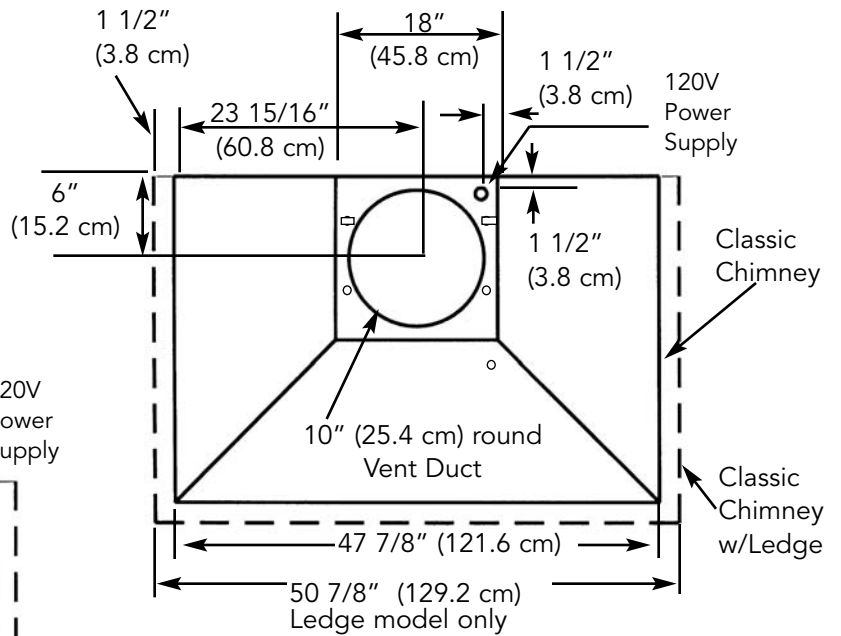
1200 or 1500 CFM
External Ventilation Installation



1200 CFM
Internal Ventilation Installation



1200 or 1500 CFM
External Ventilation Installation



1200 CFM
Internal Ventilation Installation

BASIC SPECIFICATIONS
 INTERIOR AND EXTERIOR POWER HOODS

Wall Hoods

DESCRIPTION	RECOM. CFM ¹ (int.-interior; ext-exterior)	NUMBER OF HALOGEN LIGHTS	FILTERS	SPACERS	120VAC/60Hz MAX. AMPS ³ (Interior/Exterior)
30"W.	300 int./440 int./900 ext./1200 ext.	2	2	0	1.7/3.2/6.6/3.9
36"W.*	300 int./600 int./900 ext./1200 ext.	2	2	1	1.7/3.9/6.6/3.9
42"W.*	600 int./900 ext./1200 ext.	2	3	0	3.9/6.6/3.9
48"W.	1200 int./1200 ext./1500 ext.	3	3	0	7.3/4.3/5.1

Island Hoods

DESCRIPTION	RECOM. CFM ¹ (int.-interior; ext-exterior)	NUMBER OF HALOGEN LIGHTS	FILTERS	SPACERS	120VAC/60Hz MAX. AMPS ³ (Interior/Exterior)
36"W.*	600 int./900 ext./1200 ext.	4	2	1	3.9/6.6/3.9
42"W.*	600 int./900 ext./1200 ext./1500 ext.	4	2	1	4.7/7.4/4.8/5.5
54"W.	1200 int./1200 ext./1500 ext.	6	3	2	8.6/5.6/6.4

*1200 CFM (or 1500 CFM if applicable) exterior ventilator should be used when installed over ranges/rangetops with gas grill.

MODEL NUMBER	CFM ¹	RECOMMENDED DUCT SIZE	MAX. DUCT RUN ² (ft.)
For Use with hoods:			
DIV300 (interior)	300	7" round	50
DIV440 (interior)	440	7" round	50
DIV600 (interior)	600	7" round	50
DIV1200 (interior)	1200	10" round	50
DEV900 (exterior)	900	10" round	50
DEV1200 (exterior)	1200	10" round	50
DEV1500 (exterior)	1500	10" round	75

PROPER INSTALLATION/DUCTING IS EXTREMELY IMPORTANT TO ENSURE MAXIMUM PERFORMANCE FROM ANY VENTILATION PRODUCT

- All CFMs stated are based on tests at .1 static pressure: without applying static pressure, CFM would be greatly overstated.
- Duct run length is for general reference only; for longer duct runs, increase duct size and contact a qualified and trained installer.
 - Straight runs and gradual turns are best; for example, each 90° elbow is equivalent to 5-10 feet (1.52 - 3.05 cm) of straight run.
 - Never use flexible duct; it creates back pressure/air turbulence and greatly reduces performance.
 - Proper performance is dependent upon proper ducting; make sure that a qualified and trained installer is used.
 - Check with a qualified and trained installer or local codes for makeup air requirement, if any.
- Max. amp rating for hoods includes recommended ventilator kit rating; all products must be hard wired direct with 2-wire with ground.