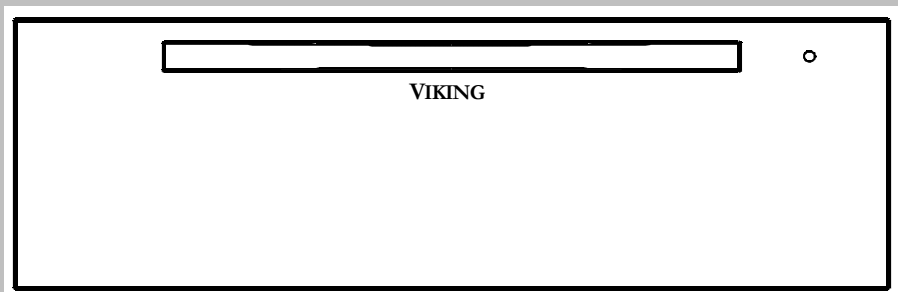
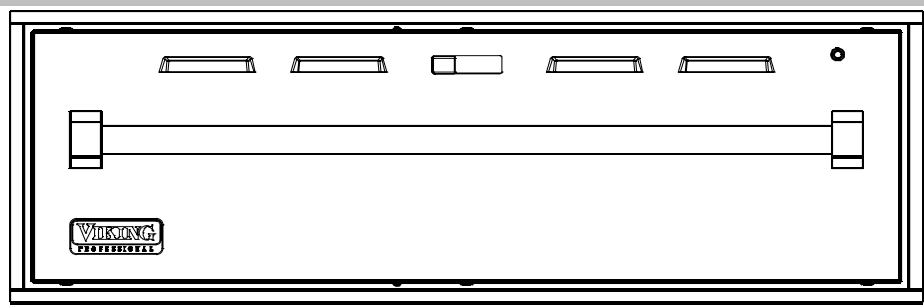
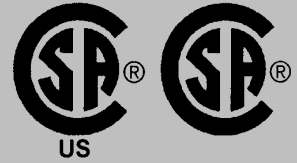


Viking Installation Guide



Built-in Electric Warming Drawers (Indoor and Outdoor Models)

Viking Range Corporation
111 Front Street
Greenwood, Mississippi 38930 USA

IMPORTANT - PLEASE READ AND FOLLOW

- Before beginning, please read these instructions completely and carefully.
- Do not remove permanently affixed labels, warnings, or plates from the product. This may void the warranty.
- Please observe all local ordinances. If local codes are applicable, wire in accordance with the National Electrical Code, ANSI/NFPA 70 - latest edition.
- **WARNING - To reduce the risk of electric shock and fire, do not use a flexible power-supply cord with this appliance.**
- **WARNING - FOR OUTDOOR INSTALLATION, INSTALLER MUST INSTALL A GROUND FAULT INTERRUPT.**
- **The installer should leave these instructions with the consumer who should retain for local inspector's use and for future reference.**

GENERAL INFORMATION

• THIS UNIT IS NOT TO BE INSTALLED BELOW CABINETS OR WALL MOUNTED.

- When installing this unit directly below other units, only install with Viking built-in products
- Remove warming drawer carefully from carton. Remove all loose packaging and accessories.
- It is the responsibility of the installer to comply with local codes. If no local codes are applicable, wire in accordance with the National Electrical Code, ANSI/NFPA 70 - latest edition.
- This appliance is not fused. Protect with a proper sized fuse or circuit breaker and a GFI for outdoor models.
- Line disconnect switch, circuit breaker, GFI (for outdoor models) or plug/receptacle of power cord connection should be readily accessible to the operator.
- Ground unit per applicable electrical codes.
- Any installation not matching the specifications discussed in these instructions will void the manufacturer's warranty.

BASIC SPECIFICATIONS

MODEL	VEWD173 VEWD173T DEWD171 DFWD171	VEWD103 VEWD103T DEWD101 DFWD101	VEWD163 VEWD163T
Interior width	17 1/4 (43.8 cm)	20 1/2" (52.1 cm)	25" (63.5 cm)
Interior height	6" (15.2 cm)	6" (15.2 cm)	6" (15.2 cm)
Interior depth	22 3/4" (27.8 cm)	22 3/4" (27.8 cm)	22 3/4" (27.8 cm)
Electrical Requirements	Hard wire direct with separate 15 amp minimum 2-wire with ground circuit; 120 VAC/50-60 Hz		
Max. Amp Usage	425 watts 3.6 amps	450 watts 3.8 amps	550 watts 4.6 amps
Approx. shipping Wt.	80 lb. (36 kg)	90 lb. (40.5 kg)	110 lb. (49.5 kg)

WARNING!

Make sure that incoming voltage is the same as unit rating. An electric rating plate specifying voltage, hertz, wattage, amps, and phase is attached to the product. Wiring the warming drawer with more voltage than it is rated for may cause severe damage to the thermostat, element, and other components. Wiring the warming drawer with less voltage than it is rated for may cause significant decrease in performance. To reduce the risk of fire, electric shock, or injury to persons, installation work and electrical wiring must be done by qualified people in accordance with all applicable codes and standards, including fire-rated conditions.

ELECTRICAL CONNECTION - USE COPPER CONDUCTORS ONLY.

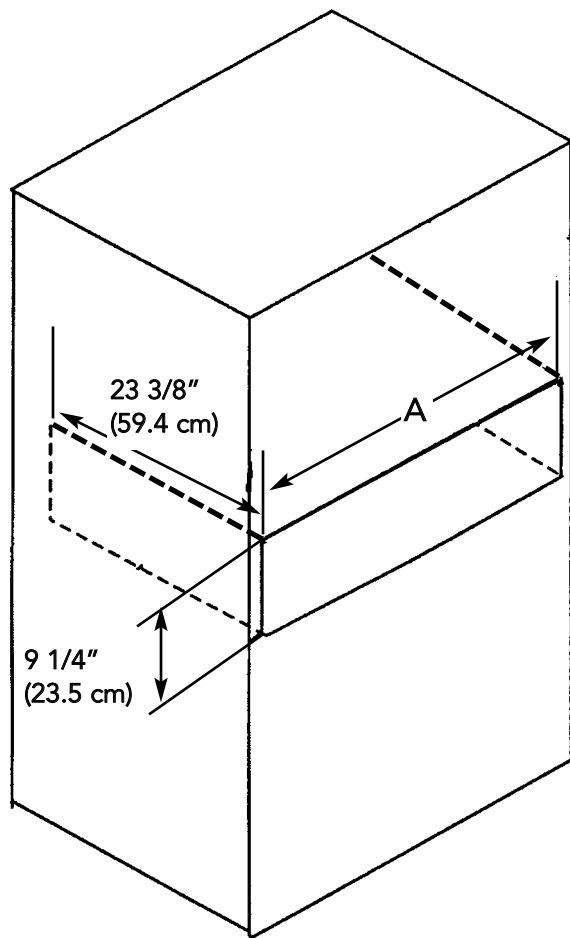
GROUNDING INSTRUCTIONS

This appliance must be connected to a grounded metal, permanent wiring system, or an equipment-grounding conductor must be run with the circuit conductors and connected to the equipment-grounding terminal or lead on the appliance.

With the appliance positioned in front of the cabinet opening, connect wire leads extending from the power supply to the terminal block of the unit. Make sure the colored wires of the terminal block are connected to the corresponding colored wires extending from the power supply.

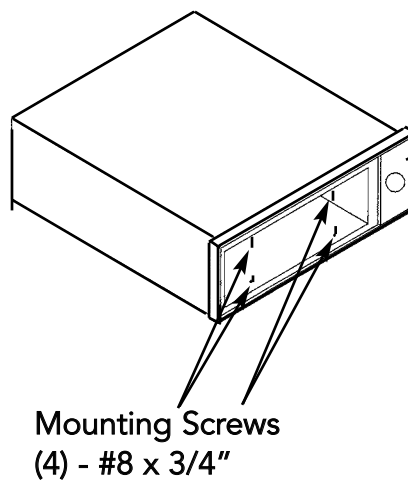
CABINET CUTOUT

INDOOR MODELS (VEWD, DEWD)



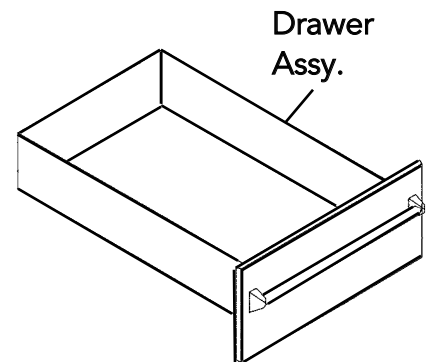
Cabinet

Model	VEWD173 DEWD171	VEWD103 DEWD101	VEWD163
A	25 1/4" (64.1 cm)	28 1/4" (71.8 cm)	34" (86.4 cm)



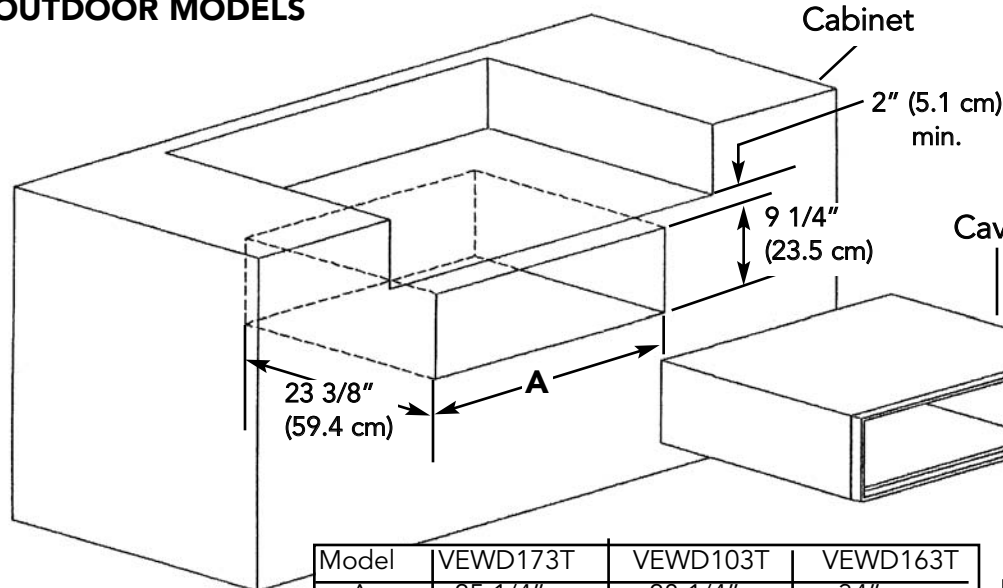
Cavity Assy.

Mounting Screws
(4) - #8 x 3/4"



Drawer Assy.

OUTDOOR MODELS



Cabinet

2" (5.1 cm)
min.

9 1/4"
(23.5 cm)

23 3/8"
(59.4 cm)

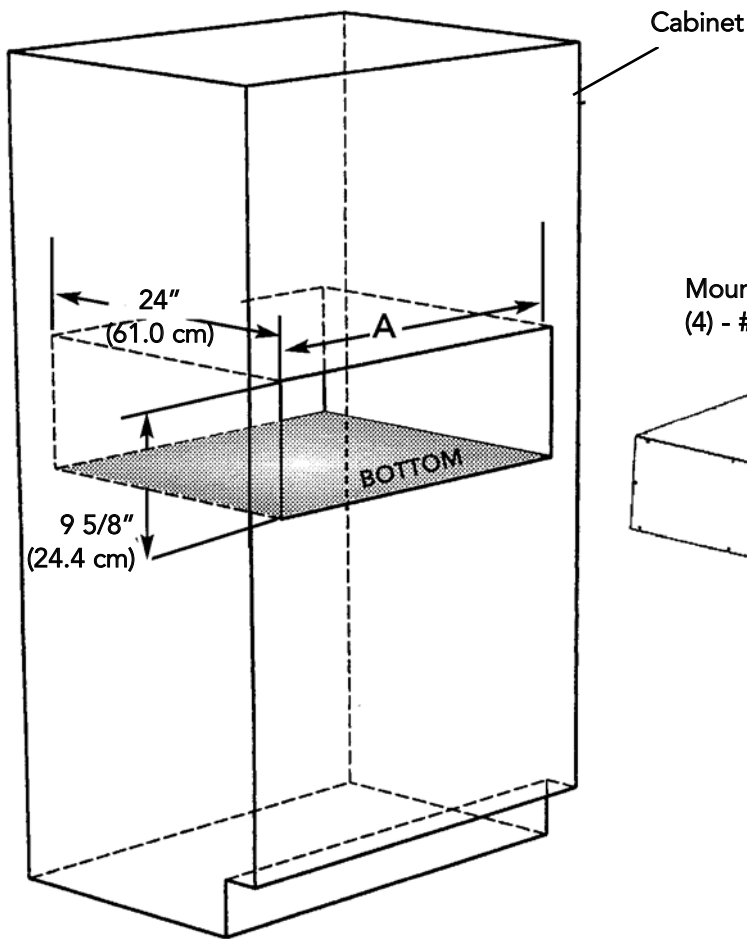
Cavity Assy.

Seal all around opening
with silicon caulk that is
provided.

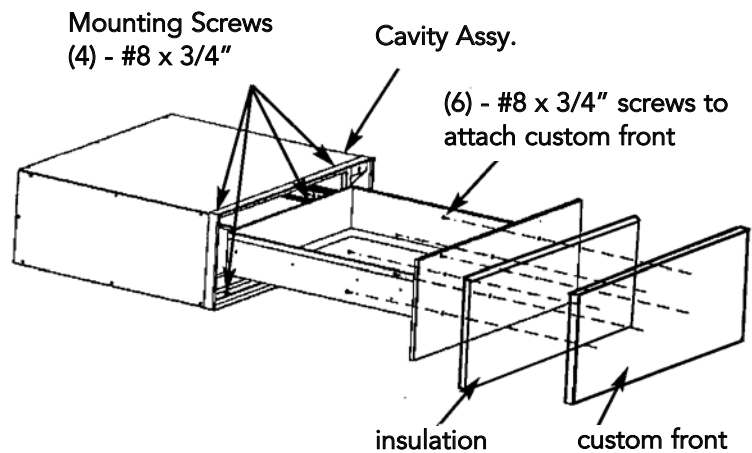
Model	VEWD173T	VEWD103T	VEWD163T
A	25 1/4" (64.1 cm)	28 1/4" (71.8 cm)	34" (86.4 cm)

Drawer Assy.

CABINET CUTOUT DFWD MODELS



Model	DFWD171	DFWD101
A	25 1/4" (64.1 cm)	28 1/4" (71.8 cm)



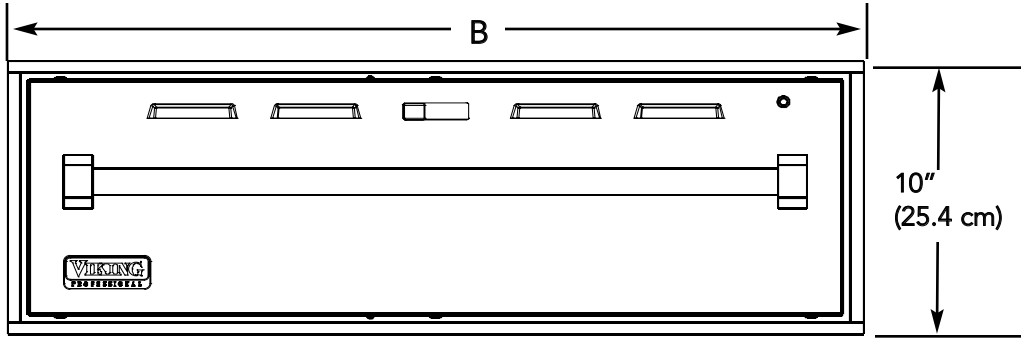
CUSTOM FRONT INSTALLATION - DFWD MODELS

- Open the drawer and remove the pan.
- Center the custom front and insulation around the inside panel.
- *NOTE: Make sure the insulation provided is used between the custom panel and the inside door panel.**
- Attach the custom front with the (6) six #8 x 3/4" screws provided.

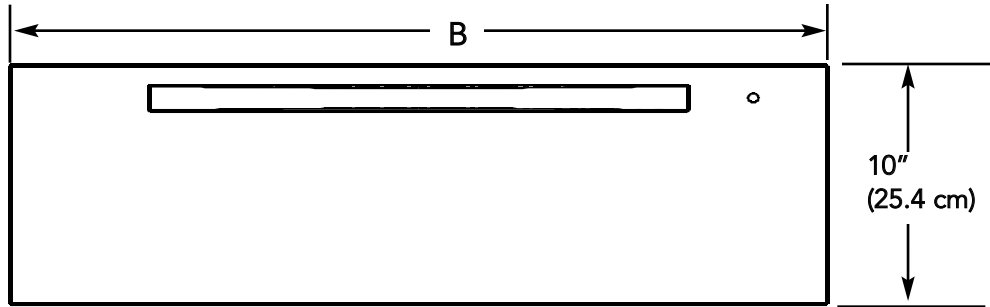
CABINET INSTALLATION

- To remove drawer assembly, pull warming drawer pan out until fully extended. Slide finger along the right and left side until you reach the black hand latches (located at the front of the rails). Pull up on both the right and left latches and pull drawer pan support completely out.
- For outdoor models ONLY - Apply silicon caulk that is provided all around the back of the warming drawer trim.
- Slide cavity assembly into cabinet opening.
- Drill (4) pilot holes in cabinet using 1/8" drill bit. Permanently secure the warming drawer using the (4) #8 mounting screws provided.
- Replace drawer assembly.

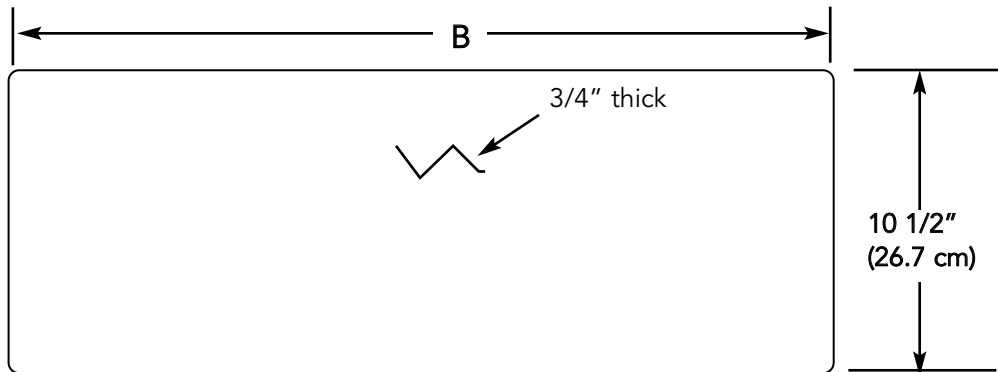
**FRONT
VEWD**



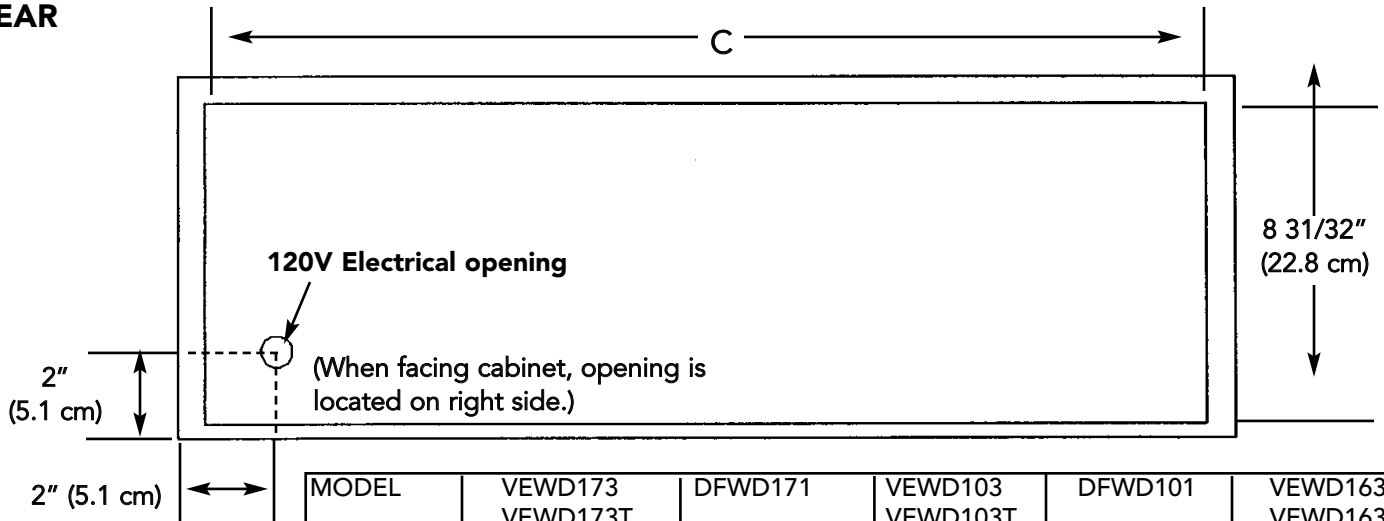
**FRONT
DEWD**



**FRONT
DFWD**

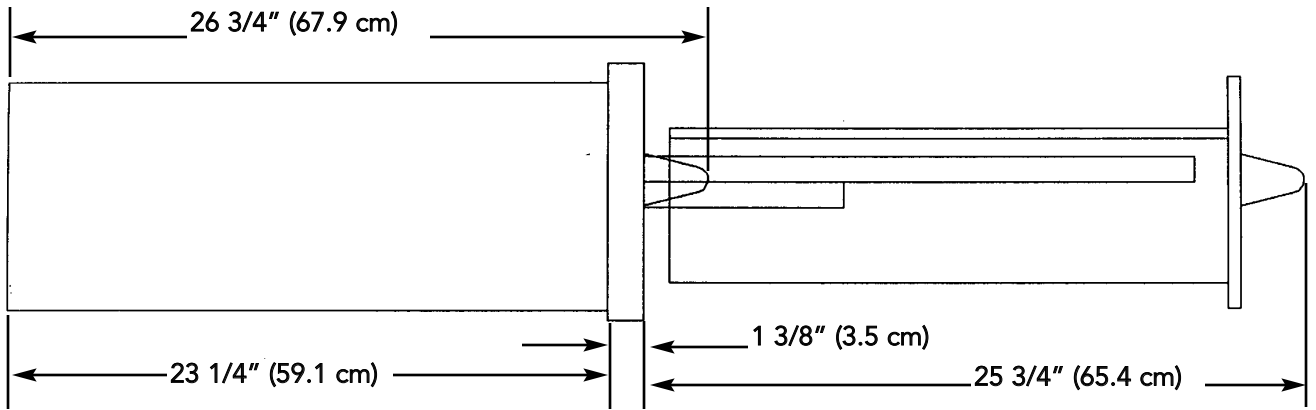


REAR

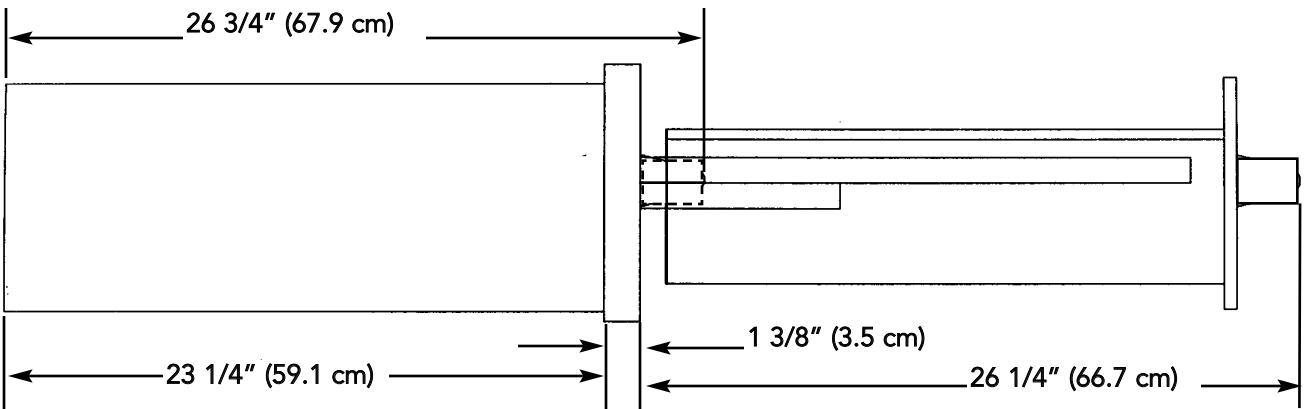


MODEL	VEWD173 VEWD173T DEWD171	DFWD171	VEWD103 VEWD103T DEWD101	DFWD101	VEWD163 VEWD163T
B	26 1/2" (67.3 cm)	26" (66.0 cm)	29 1/2" (74.9 cm)	29" (73.7 cm)	35 1/4" (89.5 cm)
C	24 7/8" (63.2 cm)	24 7/8" (63.2 cm)	27 7/8" (70.8 cm)	27 7/8" (70.8 cm)	33 5/8" (85.4 cm)

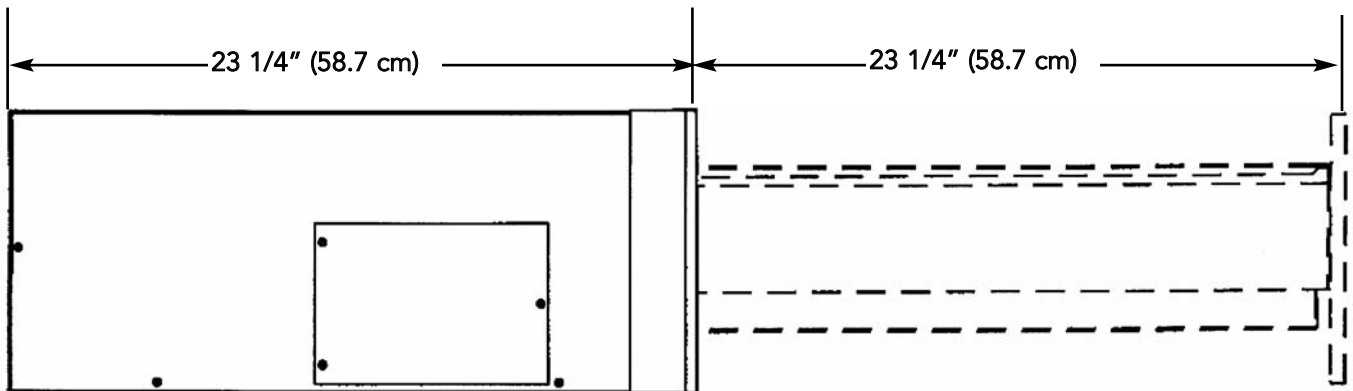
**SIDE
VEWD**



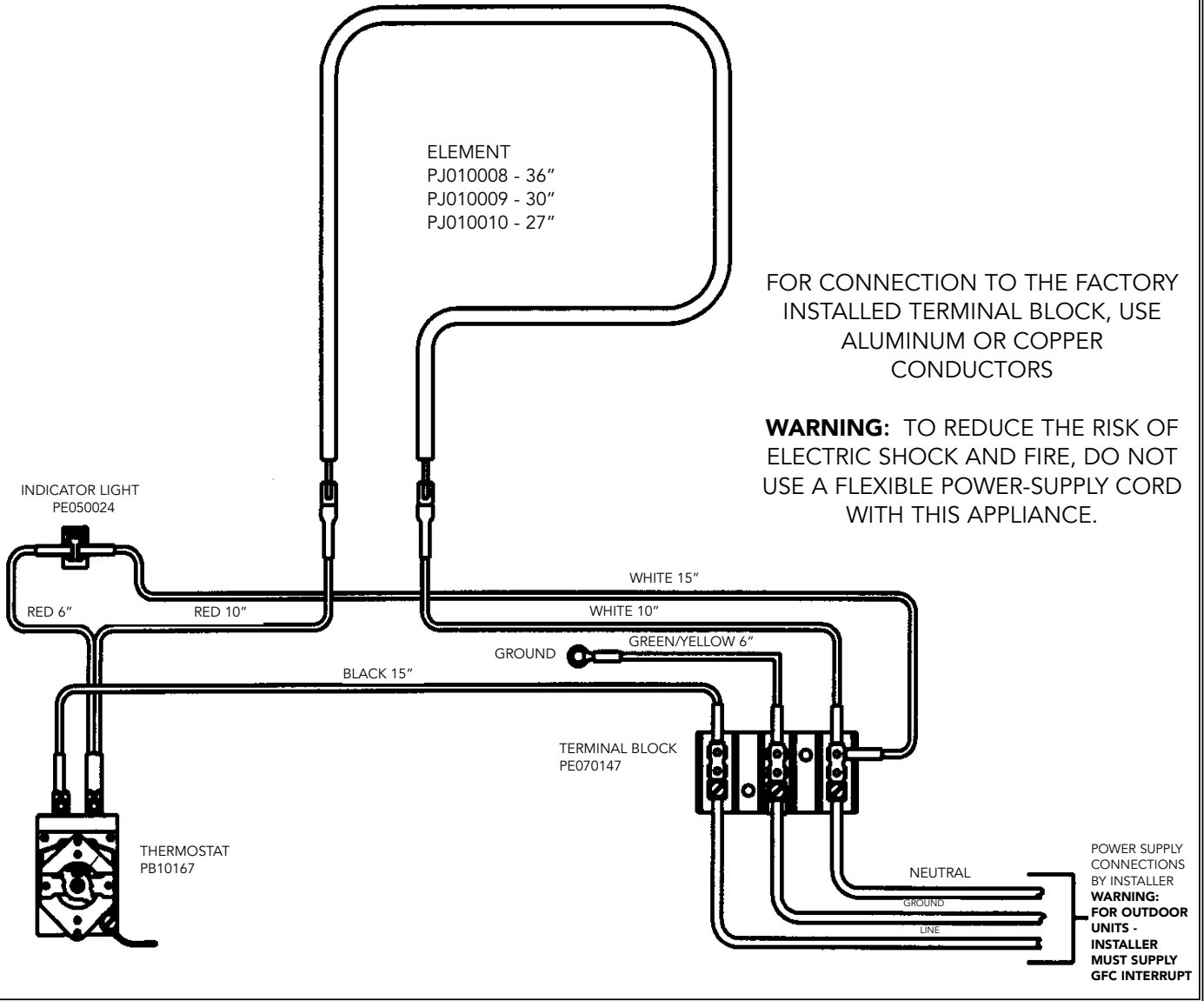
**SIDE
DEWD**



**SIDE
DFWD**



WIRING DIAGRAM BUILT-IN ELECTRIC WARMING DRAWER





Viking Range Corporation
111 Front Street
Greenwood, Mississippi 38930 USA
(662) 455-1200

For more product information,
call 1-888-VIKING1 (845-4641) or
visit the Viking web site
www.vikingrange.com