

INSTALLATION INSTRUCTIONS

VIKING RANGE CORPORATION
111 Front Street
Greenwood, Mississippi 38930 USA
(662) 455-1200



ELECTRIC RANGES/RANGETOPS

Retain for Future Reference

IMPORTANT: PLEASE READ AND FOLLOW

- Before beginning, please read these instructions completely and carefully.
- Do not remove permanently affixed labels, warnings, or plates from product. This may void the warranty.
- Please observe all local and national codes and ordinances.
- Please ensure that this product is properly grounded.
- **The installer should leave these instructions with the consumer who should retain for local inspector's use and for future reference.**

Installation must conform with local codes or in the absence of codes, with the National Electrical Code, ANSI/NFPA 70-latest edition. In CANADA: Electrical installation must be in accordance with the current CSA C22.2 Canadian Electrical Codes Part 1 and/or local codes.

GENERAL INFORMATION

1. **WARNING:** The use of cabinets for storage above the appliance may result in potential fire or burn hazard. Combustible items may ignite, metallic items may become hot and cause burns. If a cabinet storage is to be provided the risk can be reduced by installing a rangehood that projects horizontally a minimum of 5" (12.7 cm) beyond the bottom of the cabinets.
2. **WARNING:** This appliance shall not be used for space heating. This information is based on safety considerations.
3. All openings in the wall behind the appliance in the floor under the appliance shall be sealed.
4. Keep appliance area clear and free from combustible materials, gasoline, and other flammable vapors.
5. Disconnect the electric supply to the appliance before servicing.
6. When removing oven for service and/or cleaning, disconnect AC power supply.
7. Electrical requirements:
Listed in specifications chart. Electrical installation should comply with national and local codes.

WARNING!!!

ELECTRICAL GROUNDING INSTRUCTIONS

This rangetop must be electrically grounded in accordance with local codes or, in the absence of codes, with the National Electrical Code, ANSI/NFPA 70-latest edition. .

FOR PERSONAL SAFETY, THIS APPLIANCE MUST BE PROPERLY GROUNDED.

BACK TRIM ACCESSORIES

Assembly and installation instructions are included with all back trim accessories.

SPECIFICATIONS-ELECTRIC RANGETOP

Description	VERT301-4B	DETR301-4B	DETR361-5B
Overall Width	29 7/8" (75.9 cm)	29 7/8" (75.9 cm)	35 7/8" (91.1 cm)
Overall Height	BASE HEIGHT To top of glass frame - 7 7/8" (20.0 cm) ADDITIONS TO BASE HEIGHT To top of island trim add 1 1/4" (3.2 cm) To top of backguard add 6" (15.2 cm) To top of high-shelf add 23 1/2" (59.7 cm)	BASE HEIGHT To top of side trim - 6 1/8" (15.6 cm) add 0" (0 cm) add 6" (15.2 cm) add 23 1/2" (59.7 cm)	
Overall Depth from Rear	To end of: side panel - 24" (61.0 cm) control panel - 25 15/16" (65.9 cm) knobs - 27 7/16" (69.7 cm)	24 7/16" (62.1 cm) 26 1/8" (66.35 cm) 27 5/8" (70.2 cm)	
Cutout Width	30" (76.2 cm)	30" (76.2 cm)	36" (91.4 cm)
Cutout Height	7 1/2" (19.1 cm)	5 3/4" (14.6 cm)	5 3/4" (14.6 cm)
Cutout Depth	24" (61.0 cm)	24 7/16" (62.1 cm)	24 7/16" (62.1 cm)
Electrical Connection Requirements	40 amp 3-Wire, 240/208 VAC, 60 Hz. Unit is equipped with No. 10 ground wire in conduit. Should be fused separately.	40 amp	50 amp
Maximum Amps	240V- 34.6 amps 208V- 29.8 amps	240V- 35.0 amps 208V- 30.3 amps	240V- 45.0 amps 208V- 40.0 amps
Surface Elements	240V 208V	240V 208V	240V 208V
Left Front	1500 watts 1125 watts	1800 watts 1350 watts	1800 watts 1350 watts
Bridge	N/A N/A	800 watts 600 watts	800 watts 600 watts
Left Rear	2400 watts 1800 watts	1800 watts 1350 watts	1800 watts 1350 watts
Center	N/A N/A	N/A N/A	2700 watts 2025 watts
Right Front	1800 watts 1350 watts	1500 watts 1125 watts	1500 watts 1125 watts
Bridge	800 watts 600 watts	N/A N/A	N/A N/A
Right Rear	1800 watts 1350 watts	2500 watts 1875 watts	2200 watts 1650 watts
Approximate Shipping Weight	110 lbs. (49.5 kg)	52 lbs. (23.4 kg)	63 lbs. (28.4 kg)

Minimum clearances from adjacent combustible construction

- Cooking surfaces and below (36"[91.4 cm] and below)
 - Sides- 0"
 - Rear- 0" with backguard or highshelf; 0" with island trim and non-combustible wall; 6" (15.2 cm) with island trim and combustible rear wall
 - Top grate support - 36" (91.4 cm)
- Above cooking surface (above 36"[91.4 cm])
 - Sides- 6" (15.2 cm)
 - Within 6" (15.2 cm) side clearance, wall cabinets no deeper than 13" (33.0 cm) must be minimum 18" (45.7 cm) above cooking surface.
 - Wall cabinets directly above product must be minimum 36" (91.4 cm) above cooking surface

It is not recommended to install two or more units side by side.

SPECIFICATIONS - ELECTRIC RANGE

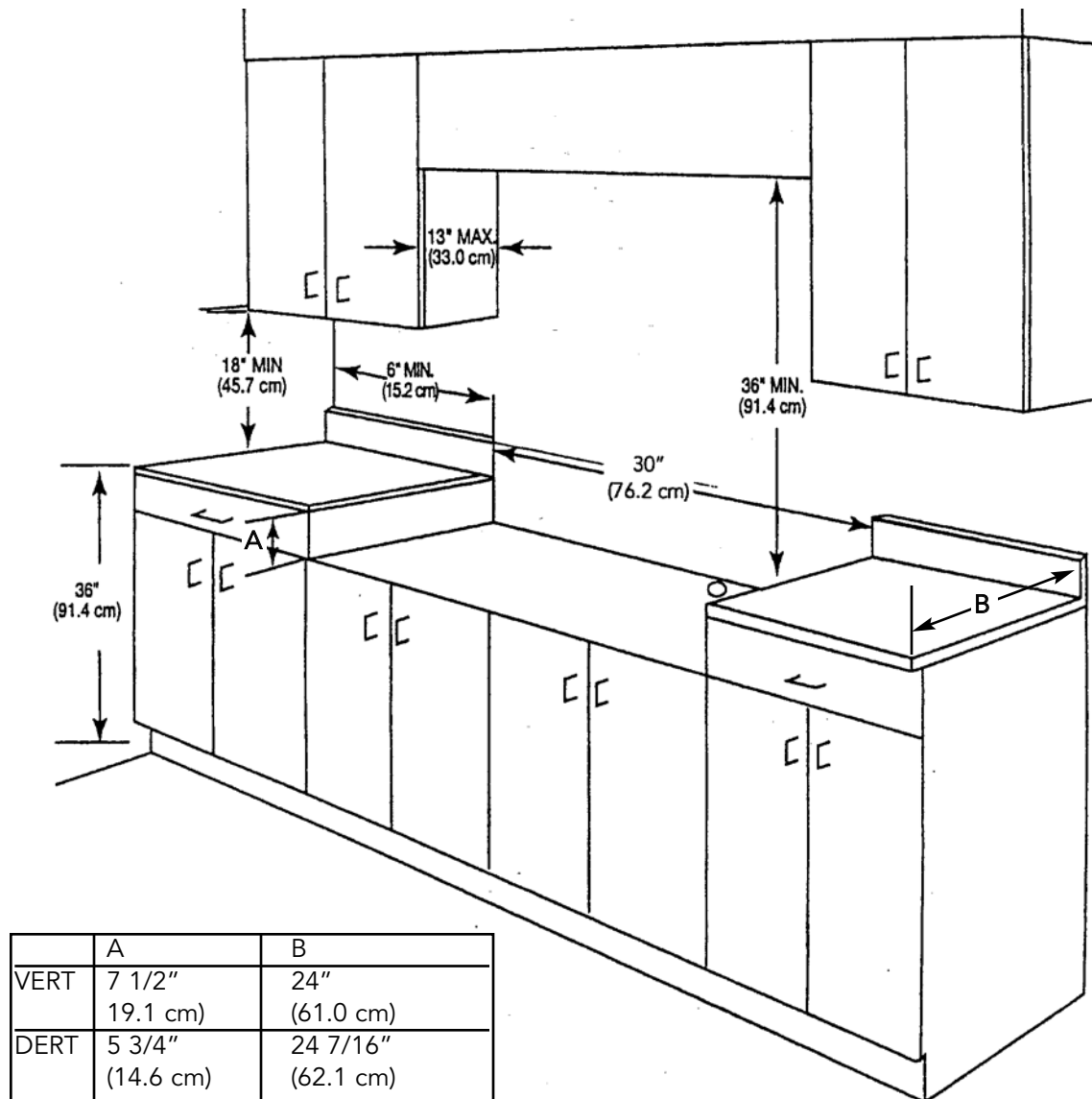
Description	VESC306-4B	
Overall Width	29 7/8" (75.9 cm)	
Overall Height from Bottom	Base Height To top of glass frame - Min. 35 7/8" (91.1cm) to Max. 37 5/8" (95.6 cm) [Legs adjust 1 3/4" (4.5cm)] Additions to Base Height To top of island trim - add 1 1/4" (3.2 cm) To top of backguard - add 6" (15.2 cm) To top of high shelf - add 23 1/2" (59.7 cm)	
Overall Depth from Rear	To end of side panel - 24 5/16" (61.8 cm) To end of control panel - 26 1/4" (66.7 cm) To end of knobs - 27 3/4" (70.5 cm)	
Electrical Requirements	240-208/120 VAC/60Hz - Connect with locally supplied 3-wire, flexible cord rated 60 amp 125-250 minimum. Cord must be agency approved for use with household electric ranges.	
Maximum Amp Usage	240V - 58.5 amps	208V - 50.7 amps
Preheat Rating	240V - 24.0 amps	208V - 20.8 amps
Surface Element Rating	240V Left Front 1500 watts Left Rear 2400 watts Right Front 1800 watts Bridge 800 watts Right Rear 1800 watts	
Broil Rating	240V Maxi Broil - (8 Pass) 3000 watts Mini Broil - (4 Pass) 1250 watts	
Bake Rating (partial power from broil element)	240V - 2935 watts	
Convection Cook Rating	240V - 2200 watts	
Oven Interior Dimension	Width - 23" (58.4 cm) Height - 16 1/8" (41.1 cm) Depth - 15 3.8" (39.1 cm) Overall size - 3.3 cu. ft.	
Approximate Shipping Weight	424 lb. (190.8 kg.)	

Minimum clearances from adjacent combustible construction

- Cooking surface and below (36" [91.4 cm] and below)
 - Sides - 0"
 - Rear - 0" with backguard or high shelf; 0" with island trim and non-combustible rear wall; 6" (15.2 cm) with island trim and combustible rear wall.
 - Top grate support - 36" (91.4 cm)
- Above cooking surface (above 36" [91.4 cm])
 - Sides - 6" (15.2 cm)
 - Within 6" (15.2 cm) side clearance, wall cabinets no deeper than 13" (33.0 cm) must be minimum 18" (45.7 cm) above cooking surface.
 - Wall cabinets directly above product must be minimum 36" (91.4 cm) above cooking surface
- Use range only with factory supplied legs.

PROXIMITY TO SIDE CABINET INSTALLATION

1. This rangetop may be installed directly adjacent to existing 36" (91.4 cm) high base cabinets. **IMPORTANT:** The top grate support **MUST** be 3/8" (.95 cm) above the adjacent base cabinet countertop.
2. The rangetop **CANNOT** be installed directly adjacent to sidewalls, tall cabinets, tall appliances, or other side vertical surfaces above 36" (91.4 cm) high. There must be a minimum of 6" (15.2 cm) side clearance from the rangetop to such combustible surfaces above the 36" (91.4 cm) counter height.
3. Within the 6" (15.2 cm) side clearance to combustible vertical surfaces above 36" (91.4 cm), the maximum wall cabinet depth must be 13" (33.0 cm) and wall cabinets within this 6" (15.2 cm) side clearance must be 18" (45.7 cm) above the 36" (91.4 cm) high countertop.
4. Wall cabinets above the rangetop must be a minimum of 36" (91.4 cm) above the rangetop cooking surface for the full width of the rangetop. This minimum height requirement does not apply if a rangehood is installed over the cooking surface.



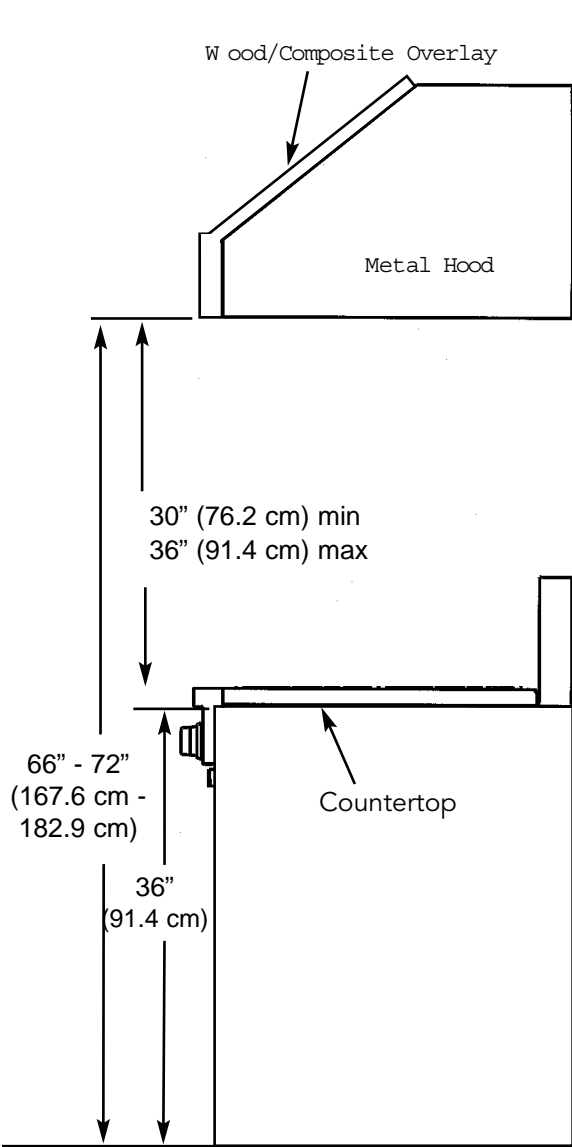
ELECTRICAL REQUIREMENTS

Check your national and local codes regarding this unit. This rangetop is supplied with a 3 wire conduit which is equipped with a No. 10 ground wire. See next section for grounding instructions. **This unit should be fused separately.** **CAUTION:** Be sure the electrical power is off from the breaker box to the junction box until the unit is installed and ready to operate. The junction box should be located as shown in the drawing and connected to a suitable ground.

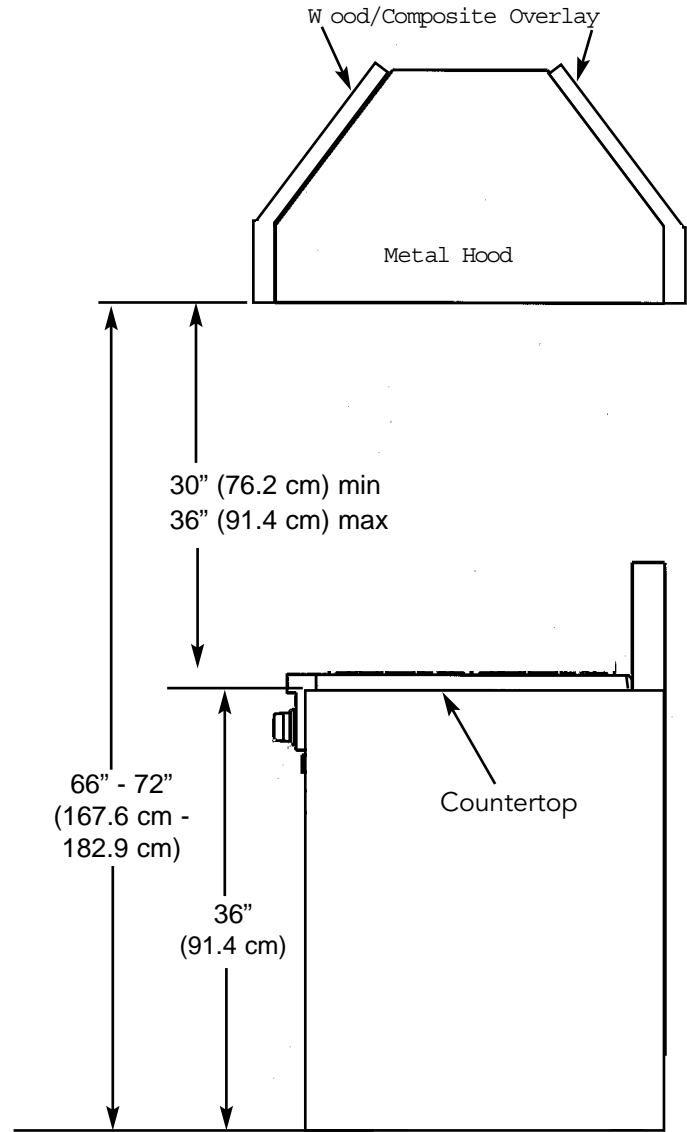
WOOD/COMPOSITE OVERLAY INSTALLATION (Including Custom Ventilator Installation)

The bottom of a standard hood should be 30" (76.2 cm) min to 36" (91.4 cm) max above the ceramic glass surface. This would typically result in the bottom of the hood being 66" (167.6 cm) to 72" (182.9 cm) above the floor. Refer to the rangehood installation instructions for further information. These dimensions provide for safe and efficient operation of the hood.

WALL INSTALLATION



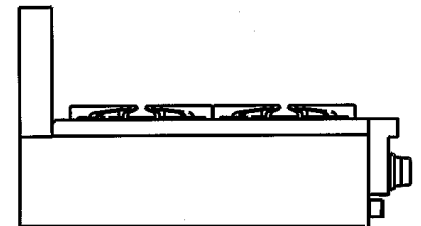
ISLAND INSTALLATION



ELECTRICAL CONNECTION

With the rangetop positioned in front of the cabinet opening, connect the wire leads extending from the conduit to the junction box, making sure the neutral (white) wire is connected to the appropriate terminal. Check your local codes to see which of the options below should be used in grounding the unit. Do not use GFI circuit.

- OPTION 1 Connect the neutral (white) wire and the grounding (bare) wire with the incoming neutral (white) power supply lines.
- OPTION 2 If the junction box is grounded, untwist the grounding (bare) wire and attach to the junction box. Attach the neutral (white) wire to neutral (white) power supply line.



Identification Label Location - (bottom of unit in left rear corner)

OPTION 3 Untwist the grounding (bare) wire and attach it to a suitable ground. Attach neutral (white) wire to the incoming neutral (white) power supply line.

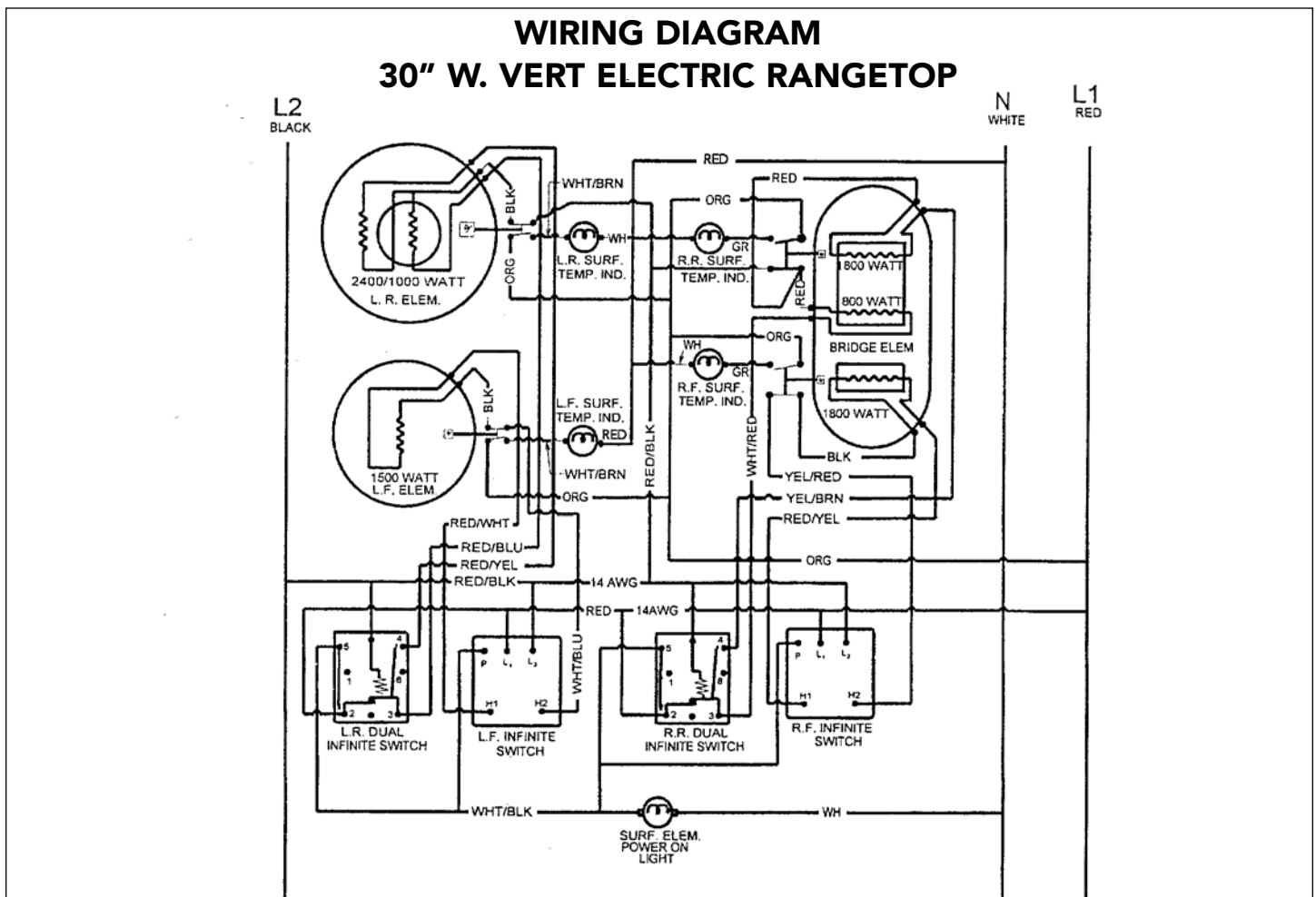
DO NOT USE AN EXTENSION CORD WITH THIS APPLIANCE. SUCH USE MAY RESULT IN A FIRE, ELECTRICAL SHOCK, OR OTHER PERSONAL INJURY.

FINAL PREPARATION

1. Some stainless steel parts may have a plastic protective wrap which must be peeled off. All stainless steel body parts should be wiped with hot, soapy water and with a liquid cleaner designed for this material. If build-up occurs, do not use steel wool, abrasive cloths, cleaners, or powders!! If it is necessary to scrape stainless steel to remove encrusted materials, soak with hot, wet cloths to loosen the material, then use a wood or nylon scraper. Do not use a metal knife, spatula, or any other metal tool to scrape stainless steel! Scratches are almost impossible to remove.
2. The interior of the oven should be washed thoroughly with hot, soapy water to remove film residues and any installation dust or debris before being used for food preparation, then rinsed and wiped dry. Solutions stronger than soap and water are rarely needed.

REPLACEMENT PARTS

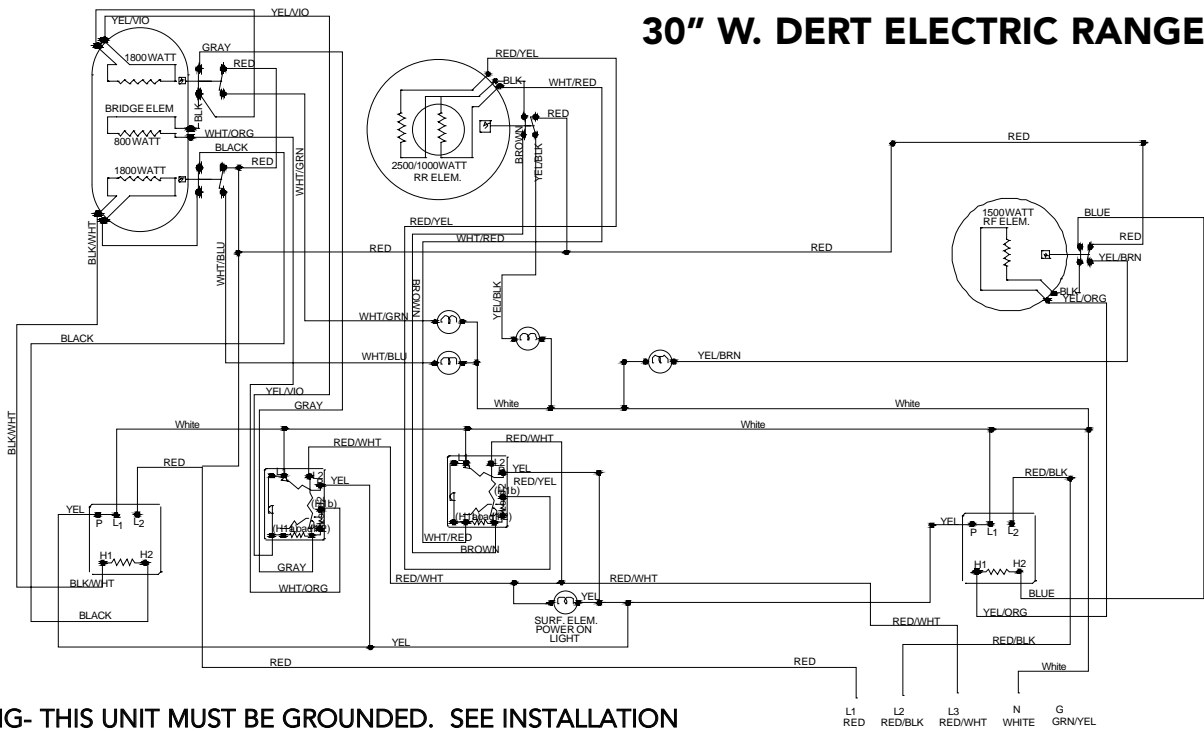
Only authorized replacement parts may be used in performing service on the range. Do not repair or replace any part of the appliance unless specifically recommended in the manual. All other servicing should be referred to a qualified technician.



WARNING: This unit must be properly grounded. See Installation Instructions for proper grounding instructions. NOTE: Trailers or stripes will be the second color in a color combination.

CAUTION: Label all wires prior to disconnection when servicing controls. Wiring errors can cause improper and dangerous operation. Verify proper operation after servicing.

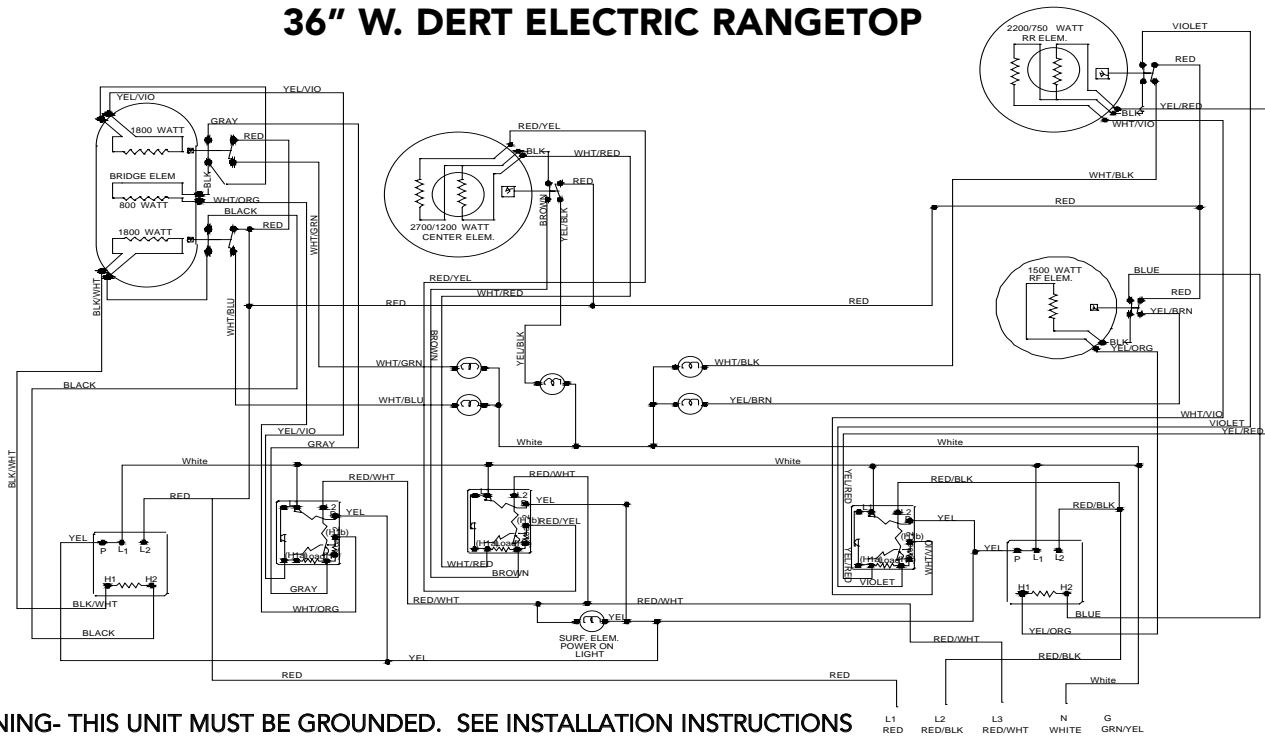
WIRING DIAGRAM 30" W. DERT ELECTRIC RANGETOP



WARNING- THIS UNIT MUST BE GROUNDED. SEE INSTALLATION INSTRUCTIONS FOR PROPER GROUNDING PROCEDURES

NOTE: TRAILERS OR STRIPES WILL BE THE SECOND COLOR IN A COLOR COMBINATION

WIRING DIAGRAM 36" W. DERT ELECTRIC RANGETOP



WARNING- THIS UNIT MUST BE GROUNDED. SEE INSTALLATION INSTRUCTIONS FOR PROPER GROUNDING PROCEDURES

NOTE: TRAILERS OR STRIPES WILL BE THE SECOND COLOR IN A COLOR COMBINATION



RANGE INSTALLATION

Legs

1. Legs are packed in styrofoam top pack.
2. Legs should be installed near to where the appliance is to be used, as they are not secure for long transit. After unpacking the range, raise it about a foot to remove the bottom shipping skid. Keep the unit raised to permit the legs to be screwed into their couplings and lower it gently to keep any undue strain from the legs and internal mounting hardware. It is strongly recommended that a pallet or lift jack be used rather than tilting.

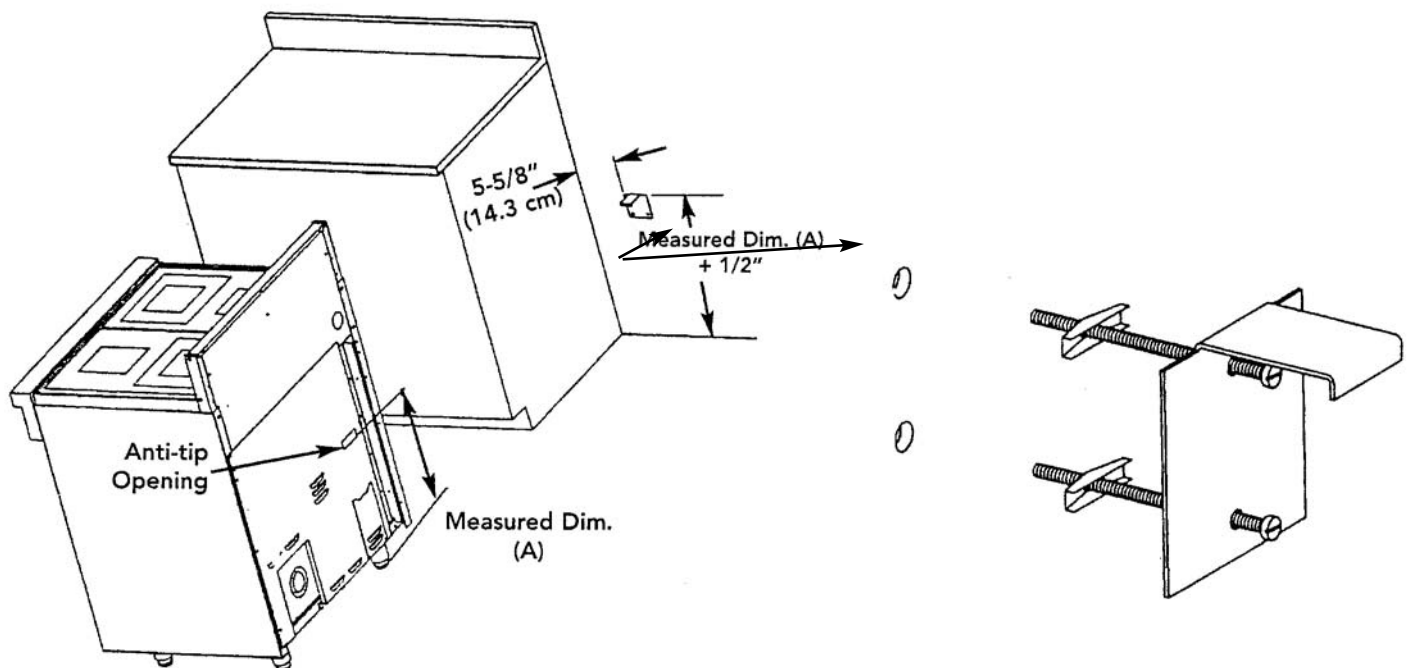
BACK TRIM ACCESSORIES

Assembly and installation instructions are included with all back trim accessories.

WARNING	
	<ul style="list-style-type: none">• THIS RANGE CAN TIP• INJURY TO PERSONS COULD RESULT• INSTALL ANTI-TIP DEVICE PACKED WITH RANGE• SEE INSTALLATION INSTRUCTIONS
	

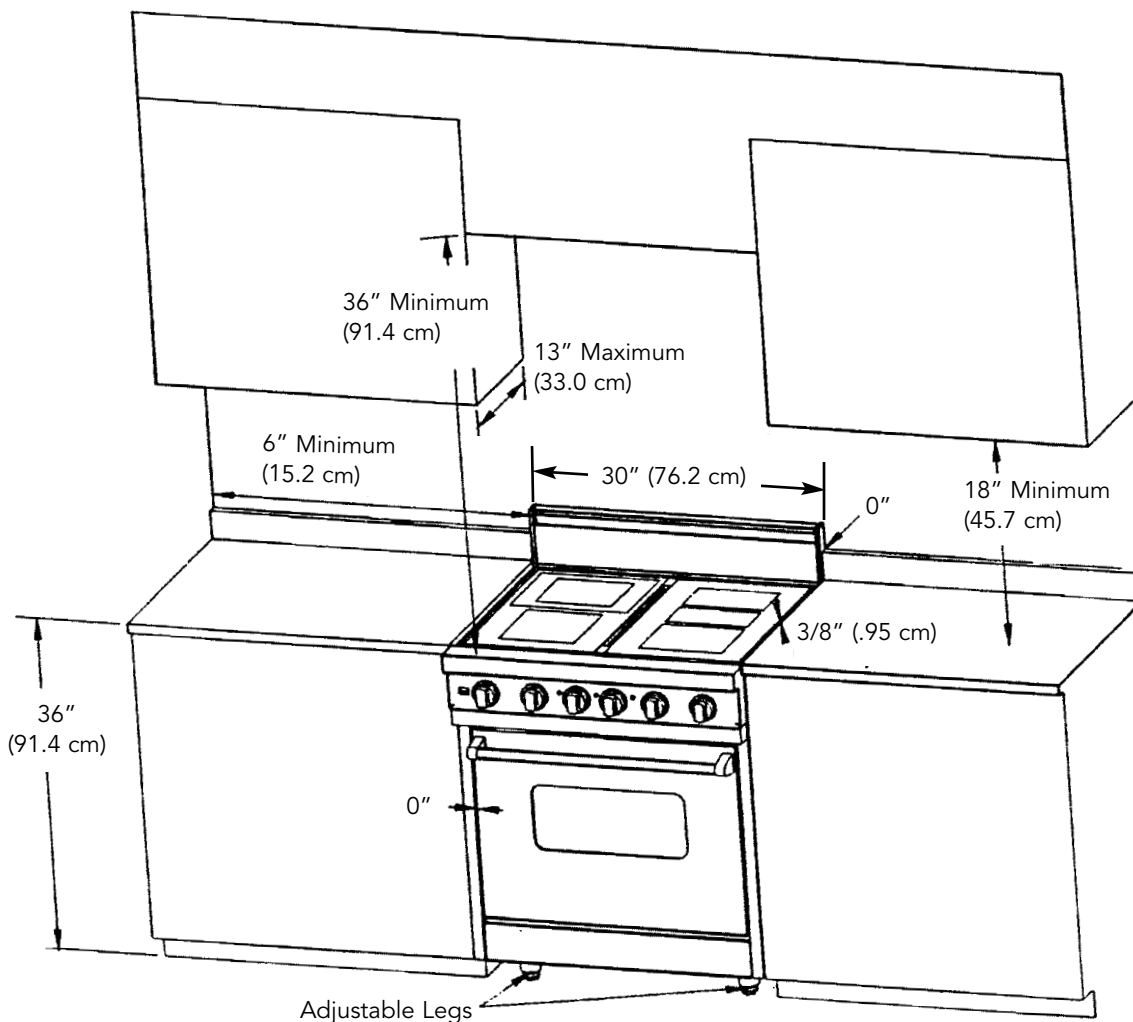
STABILITY DEVICE INSTALLATION INSTRUCTIONS

1. The anti-tip bracket is to be attached to the rear wall as shown. The dimension for the bracket location from the floor is to be determined after the range legs have been adjusted to the proper installation height shown in the installation instructions and the range has been leveled.
2. Measure from the floor to the bottom of the anti-tip opening located on the back of the range. Measured Dim. (A).
3. Locate the anti-tip bracket on the wall with the top left corner at the measured dimension plus 1/2" from the floor and the 5-5/8" from where the left side of the range (facing range) is to be located.
4. Slide the range into place. Be sure the anti-tip bracket slides into the anti-tip opening.



PROXIMITY TO SIDE CABINET INSTALLATION

1. This range may be installed directly adjacent to existing 36" (91.4 cm) high base cabinets. **IMPORTANT:** The top grate support **MUST** be 3/8" (.95 cm) above the adjacent base cabinet countertop. This may be accomplished by raising the unit using the adjustment spindles on the legs.
2. The range **CANNOT** be installed directly adjacent to sidewalls, tall cabinets, tall appliances, or other side vertical surfaces above 36" (91.4 cm) high. There must be a minimum of 6" (15.2 cm) side clearance from the range to such combustible surfaces above the 36" (91.4 cm) counter height.
3. Within the 6" (15.2 cm) side clearance to combustible vertical surfaces above 36" (91.4 cm), the maximum wall cabinet depth must be 13" (33.0 cm) and wall cabinets within this 6" (15.2 cm) side clearance must be 18" (45.7 cm) above the 36" (91.4 cm) high countertop.
4. Wall cabinets above the range must be a minimum of 36" (91.4 cm) above the range cooking surface for the full width of the range. This minimum height requirement does not apply if a rangehood is installed over the cooking surface.



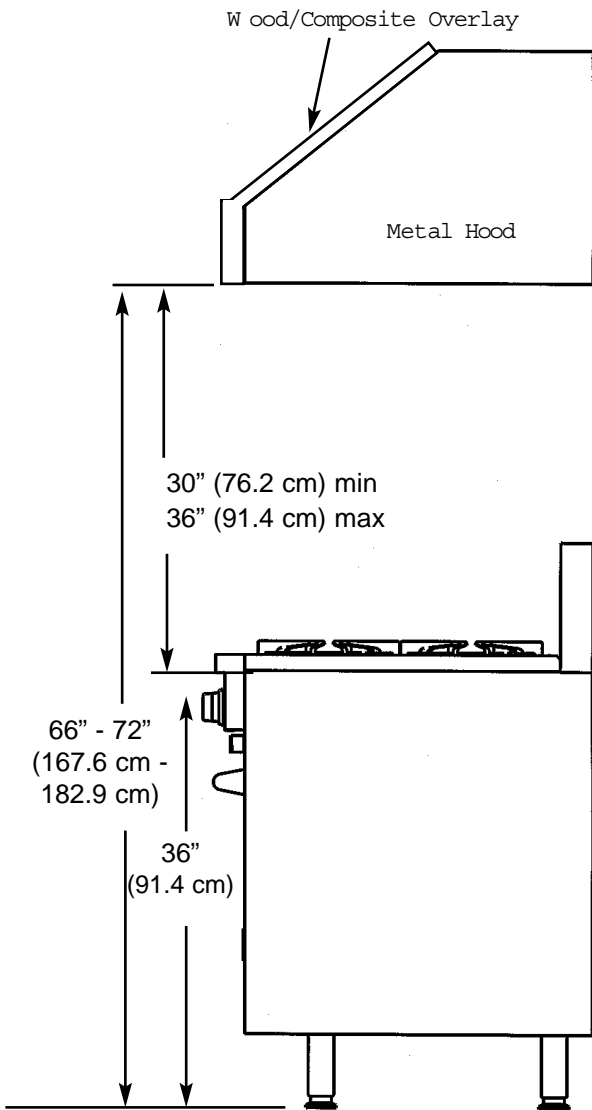
ELECTRICAL REQUIREMENTS

Check your local codes regarding this unit. This range requires 3 wires, 240-208/120 VAC, 60 Hz. See next section for grounding instructions. It should be fused separately. **CAUTION:** Be sure the electrical power is off from the breaker box to the junction box until the range is installed and ready to operate. The junction box should be located as shown in the drawing and connected to suitable ground. Do not use GFI circuit.

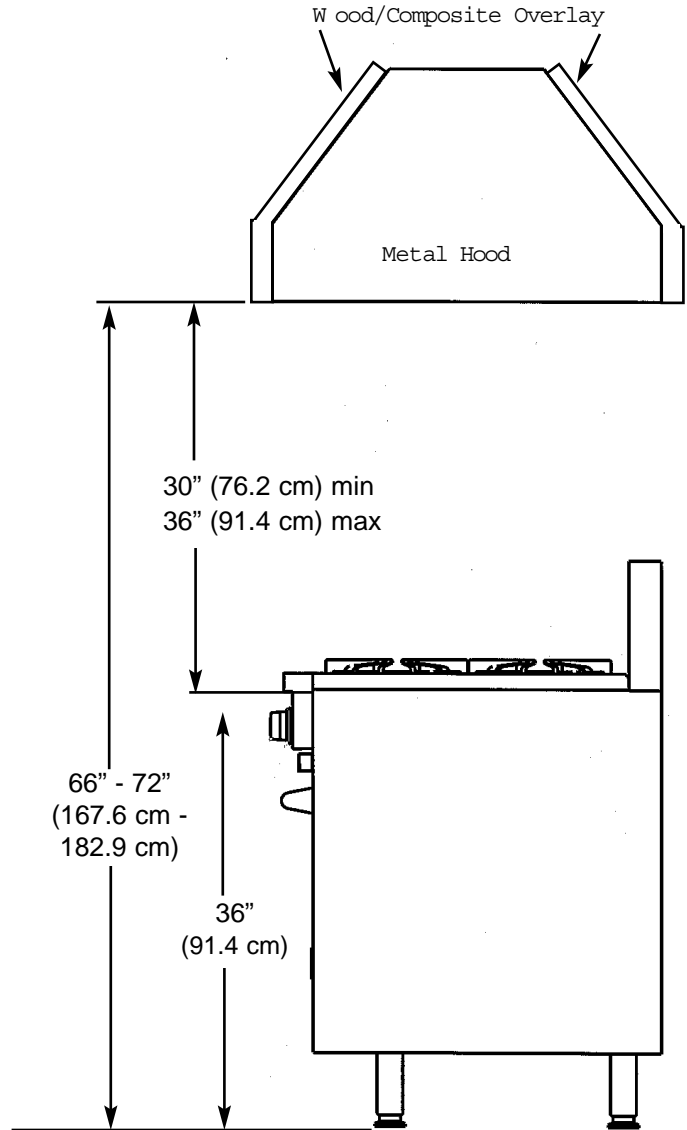
WOOD/COMPOSITE OVERLAY INSTALLATION

The bottom of a standard hood should 30" (76.2 cm) min to 36" (91.4 cm) max above the ceramic glass surface. This would typically result in the bottom of the hood being 66" (167.6 cm) to 72" (182.9 cm) above the floor. Refer to the rangehood installation instructions for additional information. These dimensions provide for safe and efficient operation of the hood.

WALL INSTALLATION

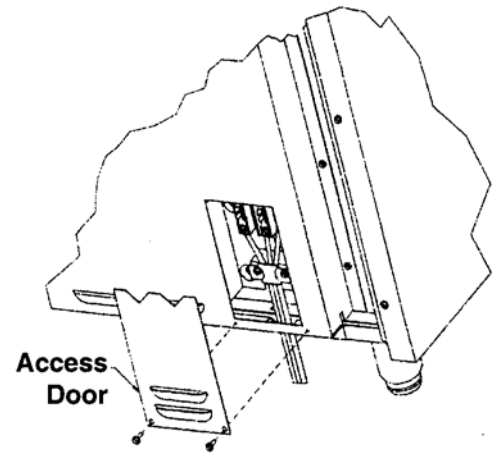


ISLAND INSTALLATION



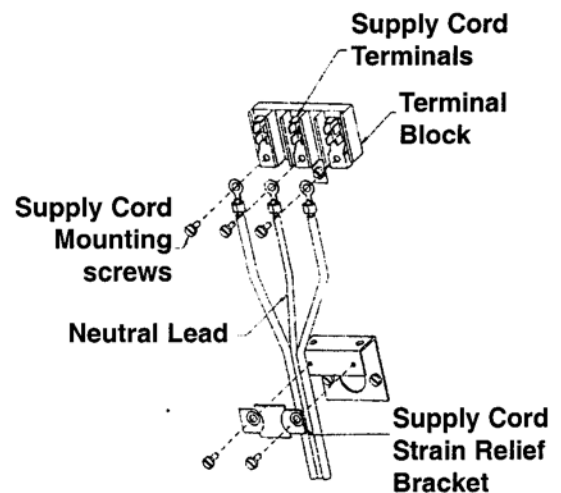
ELECTRICAL CONNECTION

Use a 3-wire power supply cord kit rated for 60 amps - 125/250 volts with closed loop terminals and marked for use with ranges. Where local codes do not permit grounding through neutral, use a 4-wire power supply cord. The cord or conduit must be secured to the range with the strain relief bracket. The electrical connection is made at the terminal block, which is located behind the access door on the back of the range.



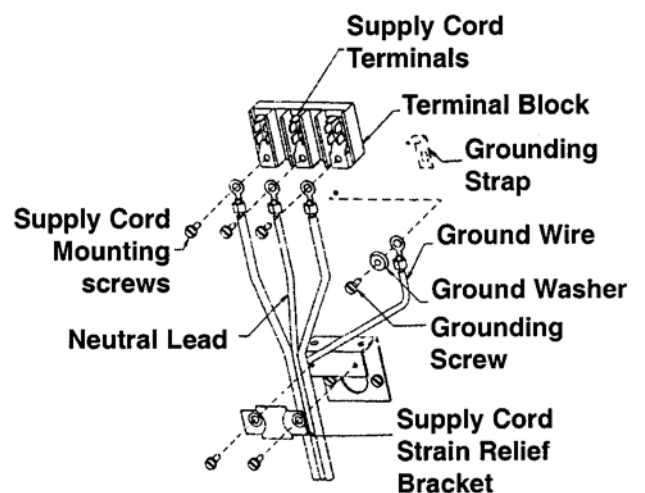
3-Wire Power Supply Cord

1. Remove access door.
2. Remove supply cord strain relief bracket and 3-supply cord mounting screws on the terminal block.
3. Feed supply cord up thru the hole in the bottom of the range back.
4. Attach the line #1 (red) and line #2 (black) leads to the outside terminal and the neutral wire (white) to the center terminal on the terminal block.
5. Reattach supply cord strain relief bracket over supply cord, pushing supply cord up toward terminal block to relieve strain before tightening.
6. Reattach access door.



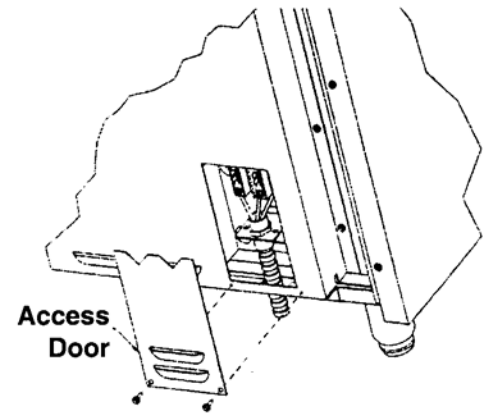
4-Wire Power Supply Cord

1. Remove access door.
2. Remove supply cord strain relief bracket and 3-supply cord mounting screws on the terminal block.
3. Remove grounding screw; cut-off and discard ground strap.
4. Feed supply cord up thru the hole in the bottom of the range back.
5. Attach the ground lead (green) with the ground screw that was removed in step #3.
6. Attach the line #1 (red) and line #2 (black) leads to the outside terminal and the neutral wire (white) to the center terminal on the terminal block.
7. Reattach supply cord strain relief bracket over supply cord, pushing supply cord up toward terminal block to relieve strain before tightening.
8. Reattach access door.



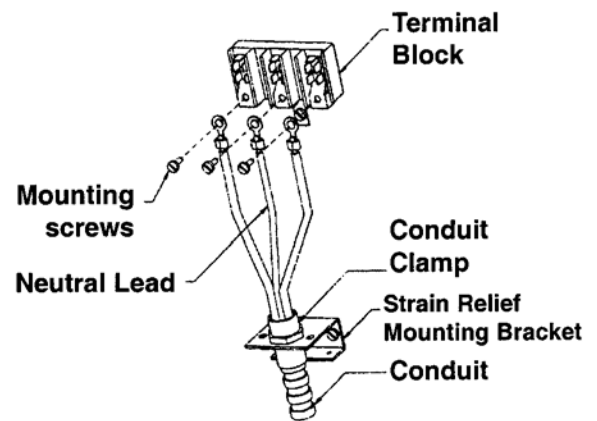
ELECTRICAL CONNECTION WITH CONDUIT

Use 1/2" (1.3 cm) trade size conduit with a conduit clamp, 12 AWG/600 volt copper conductor colored red for line 1 and black for line 2 and 14 AWG/600 volt copper conductor colored white for neutral with closed loop terminals marked for use with ranges. Where local codes do not permit grounding through neutral, use a green 12 AWG copper conductor as directed in the 4-wire connector directions. The conduit must be secured to the range with the strain relief bracket. The electrical connection is made at the terminal block which is located behind the access door on the back of the range.



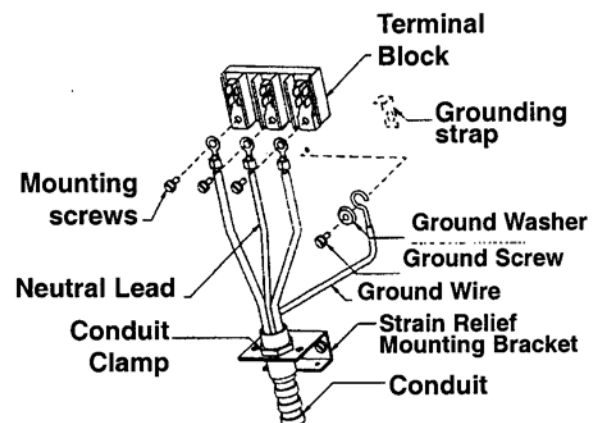
3-Wire Power Connection

1. Remove access door.
2. Remove strain relief mounting angle and reattach as shown.
3. Feed 1/2" (1.3 cm) trade size conduit through the hole in the bottom of the range back and secure to the strain relief bracket with a conduit clamp.
4. Feed line #1 (red 12 AWG/600v copper conductor), line #2 (black 12 AWG/600v copper conductor) and neutral (white 14 AWG/600v copper conductor) through conduit and attach closed loop terminals marked of use with range.
5. Remove 3 mounting screws and attach line #1 (red) to the left terminal line #2 (black) to the right terminal, the neutral wire (white) to the center terminal.
6. Reattach the access door.



4-Wire Power Connection

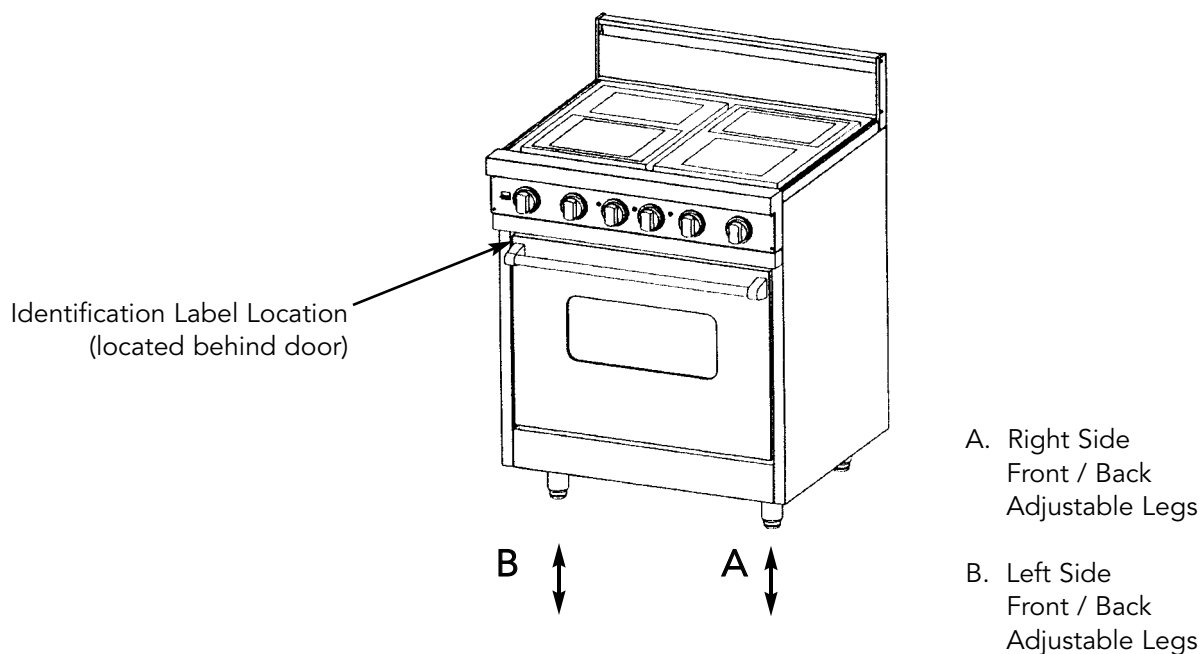
1. Remove access door.
2. Remove strain relief mounting angle and reattach as shown.
3. Feed 1/2" (1.3 cm) trade size conduit through the hole in the bottom of the range back and secure to the strain relief bracket with a conduit clamp.
4. Feed line #1 (red 12 AWG/600v copper conductor), line #2 (black 12 AWG/600v copper conductor), neutral (white 14 AWG/600v copper conductor) and grounding wire (green 12 AWG copper conductor) through conduit and attach closed loop terminals marked of use with range. (Terminal is not required on grounding wire if used with ground washer.
5. Remove 3 mounting screws and green grounding screw. Cut off and discard ground strap. Attach line #1 (red) to the left terminal, line #2 (black) to the right terminal, the neutral wire (white) to the center terminal and the copper ground wire to the green grounding screw using the ground washer.
6. Reattach the access door.



IMPORTANT: LEVELING/ADJUSTMENTS/ALIGNMENT

Closely follow the procedures below to ensure proper performance and appearance of the range.

1. If the floor is smooth and level, level the unit with the screw thread of the legs. Set the high corner of the range so that the top of the grate support is $3/8"$ (.95cm) above the countertop, and level the range to the high corner.
2. If the floor is uneven or has a decided slope, level the unit with metal shims, as the adjustment required may exceed the thread available in the leg.
3. After the range is properly leveled, the drip tray handle may be aligned by loosening the screws and adjusting the handle horizontally within the limits provided by the slotted screw holes.
4. A level should be placed across the top of the range and the unit leveled both front-to-back and side-to-side. If it is not level, burner combustion may be erratic, liquid, or semi-liquid batters will cook at an angle, and the unit may not function efficiently.



All ranges are tested before leaving the factory. When the range is connected to the electrical service, the installer should use the "Performance Checklist" for his final checks.

When adjustments are required, contact your dealer/installer for corrections. If assistance is not available, contact Viking Range Corporation Preferred Service for the nearest authorized service agent at (888) 845-4641. All corrections to installation are the responsibility of the dealer/installer or end user.

PERFORMANCE CHECKLIST

The installer should carry out the following performance checks. Refer to instructions below.

1. Check top surface elements - glow red when turned on.
2. Check hot surface indicator lights - glow red when corresponding element is on.
3. Check oven bake function - bake element on full power.
Convection bake function - bake element is same with the convection fan on.
4. Check convection cook function - convection cook element (behind fan cover) on and convection fan on.
5. Check mini broil function - center broil element on.
6. Check maxi broil function - center and outside broil elements on. Convection broil function is the same as maxi broil with the convection fan on.
7. Check self-clean function - door will lock and in approximately 30 seconds; the center and outside broil elements will turn on. Check broil elements through window to make sure they are on, then abort self-clean cycle to unlock door.

CAUTION: Do not run self-clean cycle for more than 10 minutes with oven racks and rack supports inside oven. This could cause them to discolor due to the high temperature required for self-cleaning.

FINAL PREPARATION

1. Some stainless steel parts may have a plastic protective wrap which must be removed. The interior of the oven should be washed thoroughly with hot, soapy water to remove film residues and any installation dust or debris before being used for food preparation, then rinsed and wiped dry. Solutions stronger than soap and water are rarely needed.
2. All stainless steel body parts should be wiped with hot, soapy water and with a liquid cleaner designed for this material. If buildup occurs, do not use steel wool, abrasive cloths, cleaners, or powders! If it is necessary to scrape stainless steel to remove encrusted materials, soak with hot, wet cloths to loosen the material, then use a wood or nylon scraper. Do not use a metal knife, spatula, or any other metal tool to scrape stainless steel! Scratches are almost impossible to remove.

Any adjustments necessary that are a result of the installer not following instructions will be the responsibility of the installer, dealer, or the end user of the product.

REPLACEMENT PARTS

Only authorized replacement parts may be used in performing service on the range. Do not repair or replace any part of the appliance unless specifically recommended in the manual. All other servicing should be referred to a qualified technician.

NOTE: The electrical diagram is located behind the control panel.

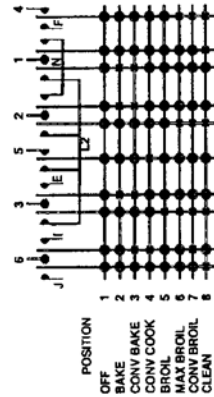
WIRING DIAGRAM 30 W. ELECTRIC RANGE

PRE-HEAT BOARD

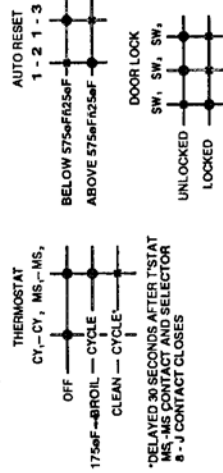
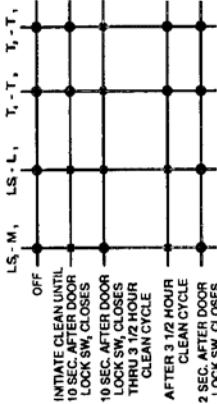
POSITION	K3		K4	
	N.O.	N.C.	N.O.	N.C.
OFF	0	X	0	X
START IN ANY BAKE POSITION AFTER FIRST CYCLE	X	0	X	0
	0	X	0	X

START IN ANY BAKE POSITION
AFTER FIRST CYCLE

SELECTOR SWITCH



SELF CLEAN TIMERBOARD

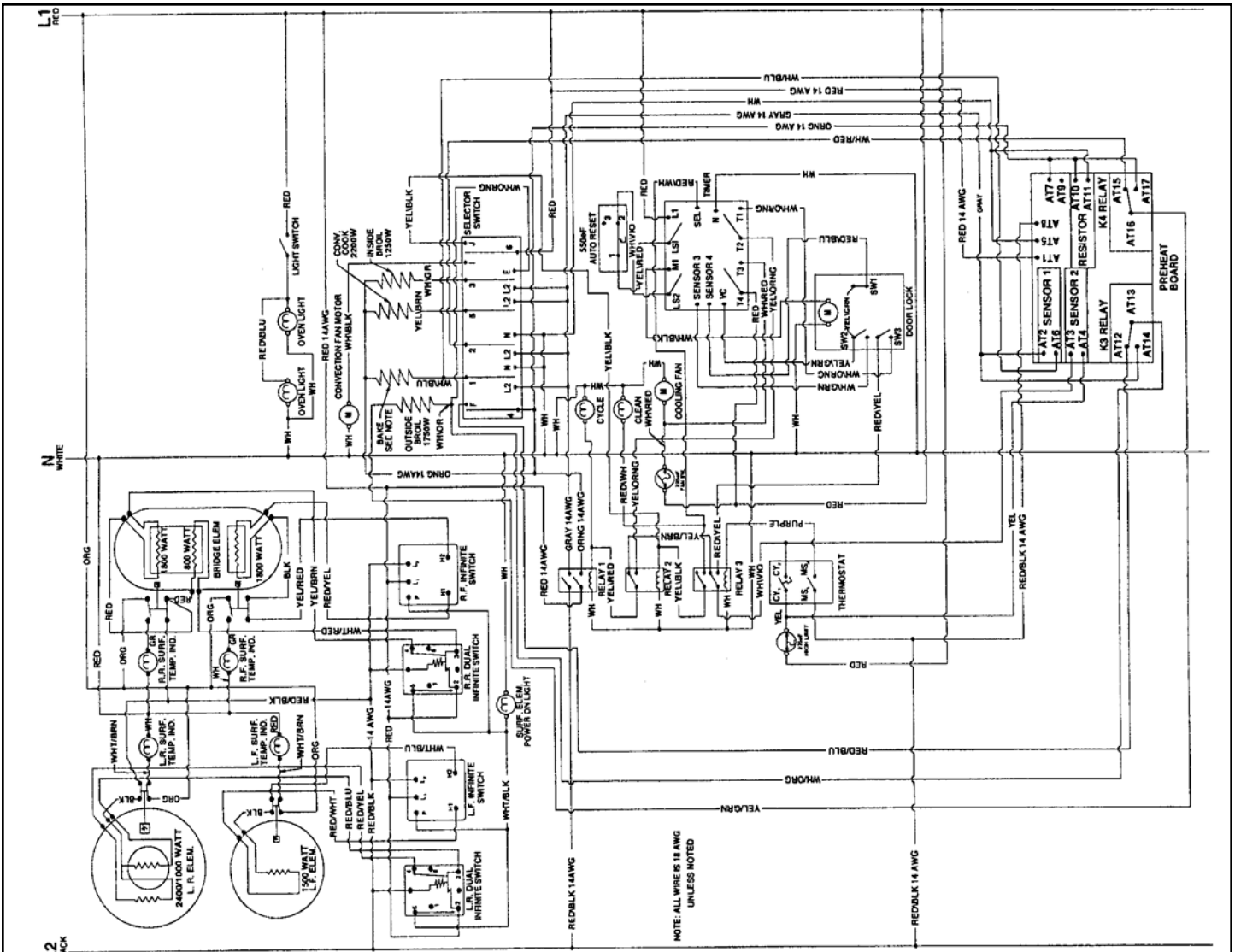


FOR CONNECTION TO THE FACTORY INSTALLED TERMINAL BLOCK USE COPPER CONDUCTORS ONLY

WARNING-THIS UNIT MUST BE GROUNDED. SEE INSTALLATION INSTRUCTIONS FOR PROPER GROUNDING PROCEDURES.

NOTE: TRAILERS OR STRIPES WILL BE THE SECOND COLOR IN A COLOR COMBINATION

REFER ONLY TO FEATURES WHICH ARE EQUIPPED WITH THIS UNIT.



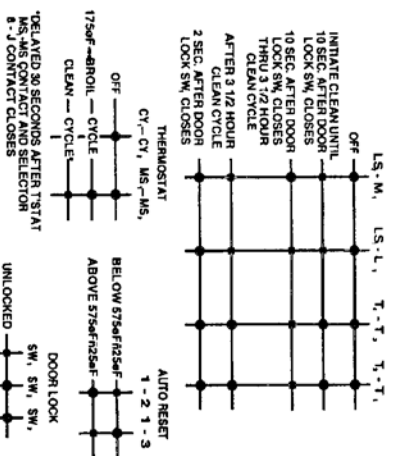
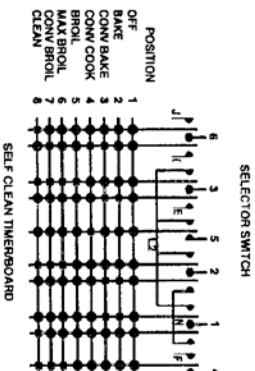
WIRING DIAGRAM

CANADIAN 30 W. ELECTRIC RANGE

PRE-HEAT BOARD

POSITION
 OFF
 INITIAL START IN ANY BAKE POSITION
 AFTER FIRST CYCLE

POSITION	K3		K4	
	N.O.	N.C.	N.O.	N.C.
OFF	0	X	0	X
INITIAL START IN ANY BAKE POSITION AFTER FIRST CYCLE	X	0	X	0



FOR CONNECTION TO THE FACTORY INSTALLED TERMINAL BLOCK USE COPPER CONDUCTORS ONLY.

WARNING-THIS UNIT MUST BE GROUNDED. SEE INSTALLATION INSTRUCTIONS FOR PROPER GROUNDING PROCEDURES.

NOTE: TRAILERS OR STRIPES WILL BE THE SECOND COLOR IN A COLOR COMBINATION REFER ONLY TO FEATURES WHICH ARE EQUIPPED WITH THIS UNIT.

