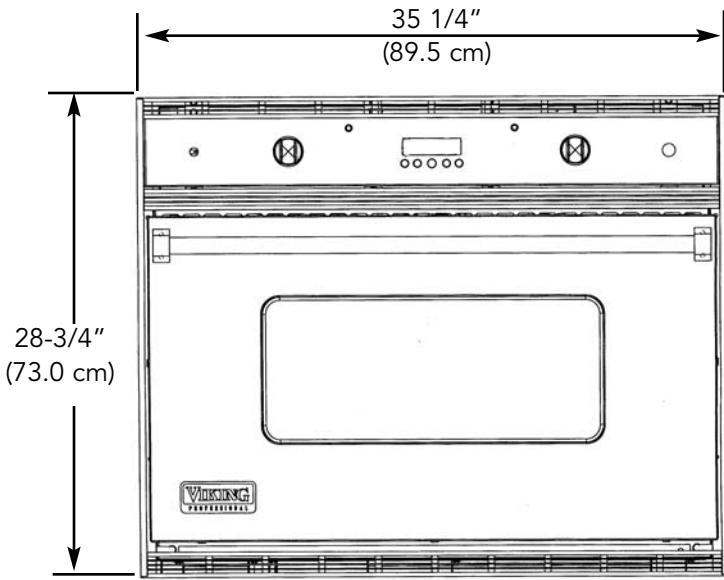
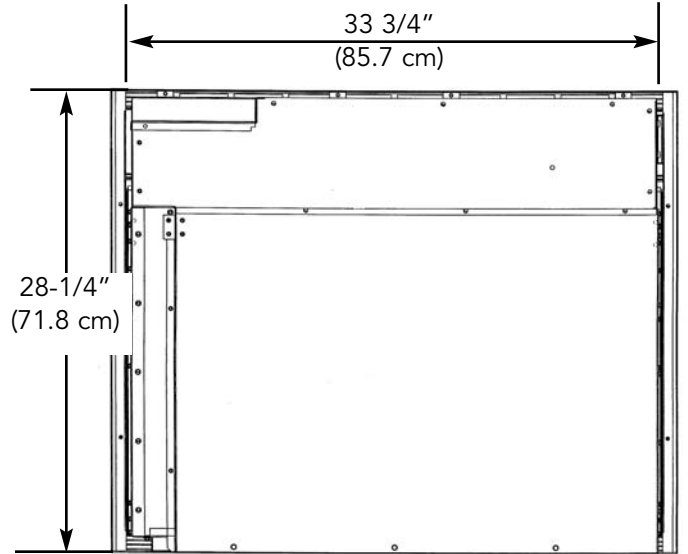


# SINGLE OVEN DIMENSIONS

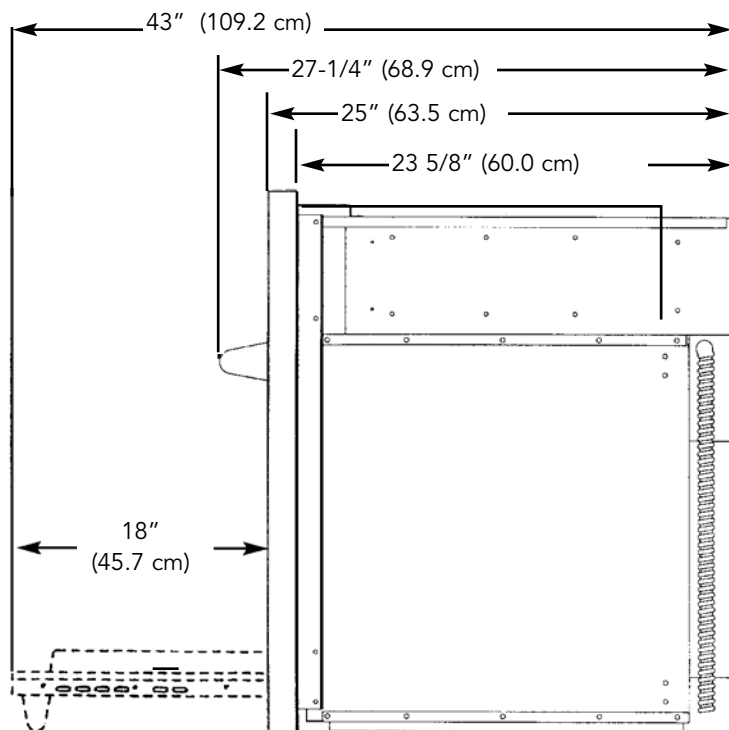
## FRONT



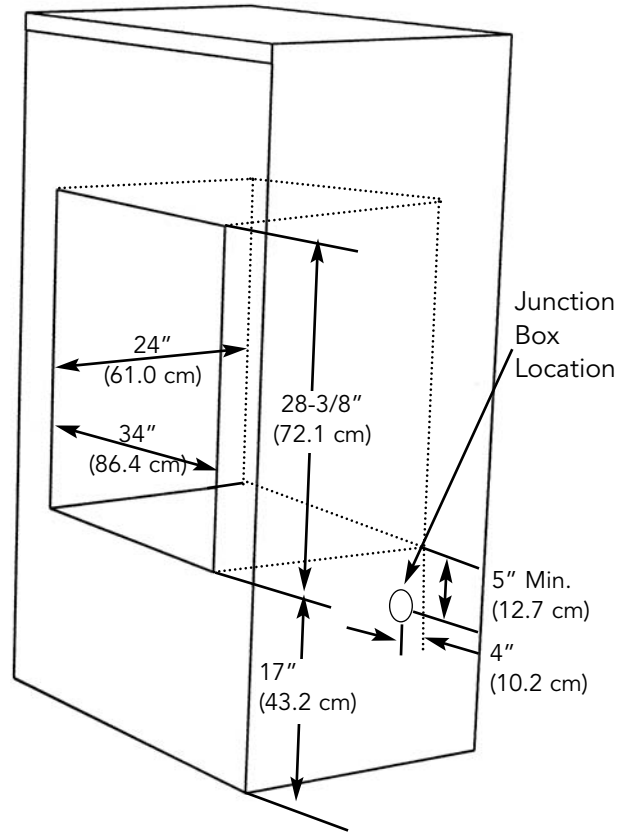
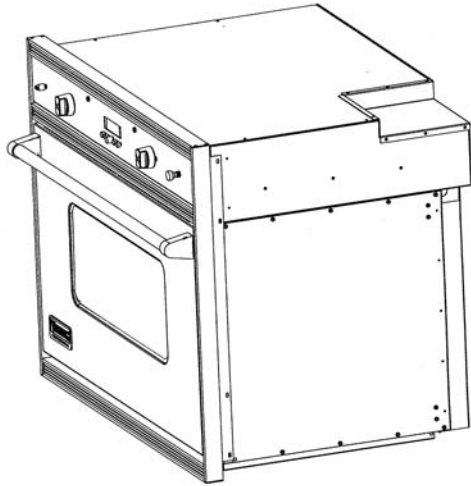
## REAR



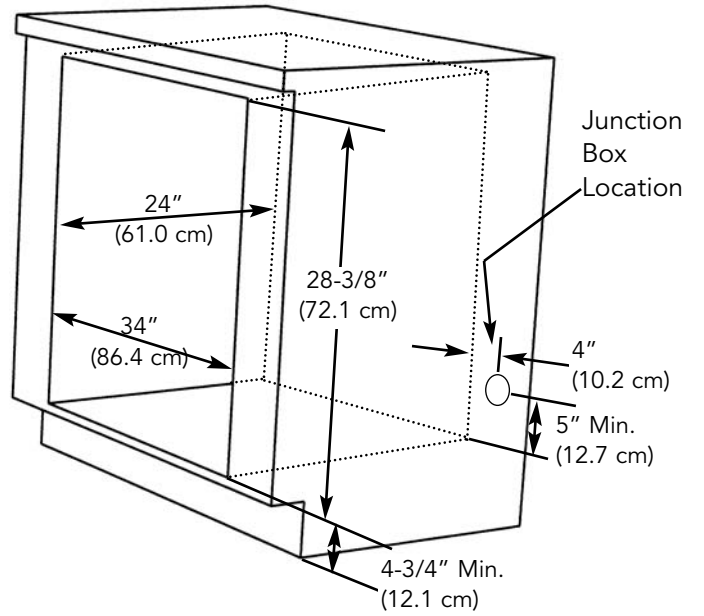
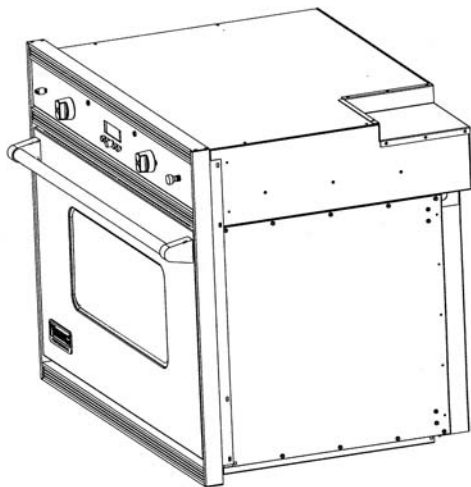
## SIDE



# SINGLE OVEN CUTOUT DIMENSIONS IN WALL CABINET



# UNDERCOUNTER



## SPECIFICATIONS-ELECTRIC SINGLE OVEN

DESCRIPTION	VESO166
Overall Width	35 1/4" (89.5 cm)
Overall Height	28 3/4" (73.0 cm)
Overall Depth	To edge of door - 25" (63.5 cm) To end of handle bracket - 27 1/4" (68.9 cm) With door open - 43" (109.2 cm)
Cutout Width	34" (86.4 cm)
Cutout Height	28 3/8" (72.1 cm)
Cutout Depth	24" (61.0 cm)
Electrical Requirements	4-wire with ground, 240-208/120 VAC/60 Hz, 30 amp electrical connection. Unit is equipped with No.10 ground wire in conduit. Should be fused separately.
Oven Interior Width	29" (73.7 cm)
Oven Interior Height	16 1/8" (41.0 cm)
Oven Interior Depth	15 3/8" (39.1 cm)
Oven Interior Overall Size •Three racks / Six positions	4.2 cu. ft.
Approximate Shipping Weight	330 lbs. (148.6 kg)

## SPECIFICATIONS - ELECTRIC DOUBLE OVEN

DESCRIPTION	VEDO266
Overall Width	35 1/4" (89.5 cm)
Overall Height	51-1/8" (129.3 cm)
Overall Depth	To edge of door - 25" (63.5 cm) To end of handle bracket - 27 1/4" (68.9 cm) With door open - 43" (109.2 cm)
Cutout Width	34" (86.4 cm)
Cutout Height	50 7/8" (129.2 cm)
Cutout Depth	24" (61.0 cm)
Electrical Requirements	Unit is equipped with No.10 ground wire in conduit. Should be fused separately 4-wire with ground, 240-208/120 VAC/60 Hz 50 amp connection
Oven Interior Width	29" (73.7 cm)
Oven Interior Height	16 1/8" (41.0 cm)
Oven Interior Depth	15 3/8" (39.1 cm)
Oven Interior Overall Size •Three racks / Six positions	4.2 cu. ft.
Approximate Shipping Weight	575 lbs. (258.8 kg)