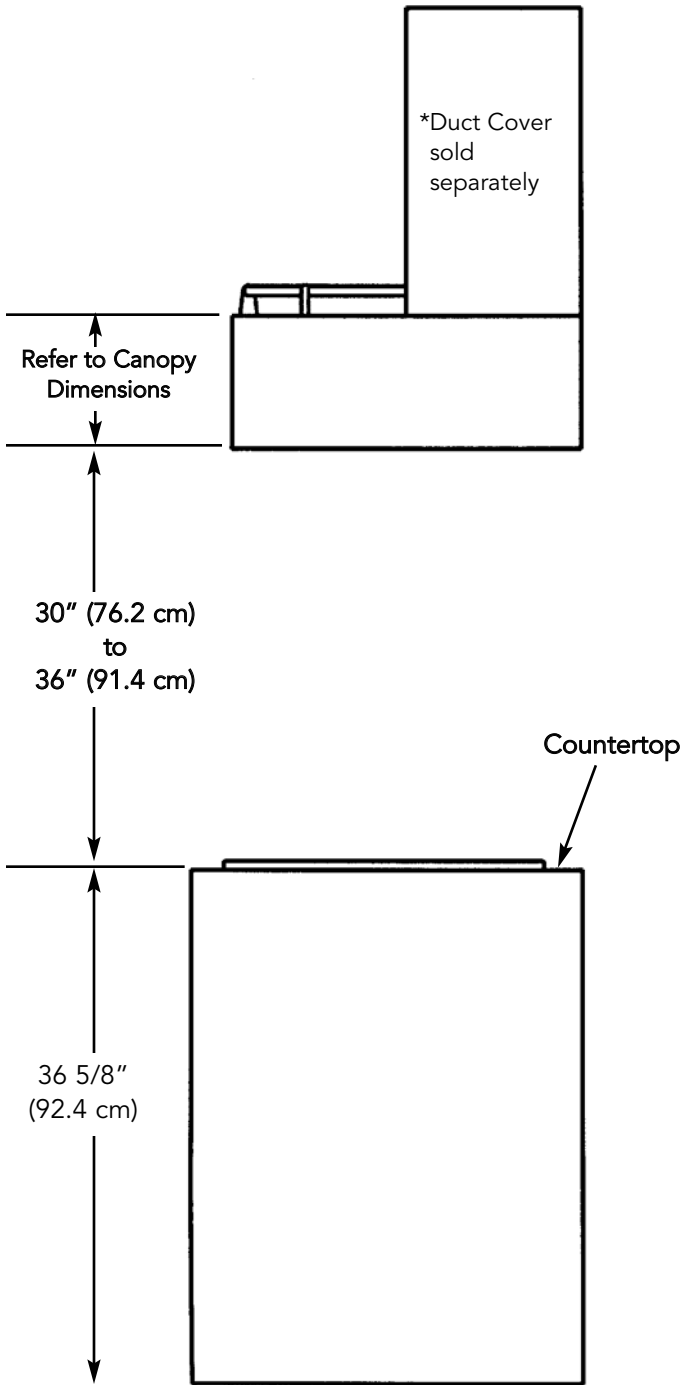


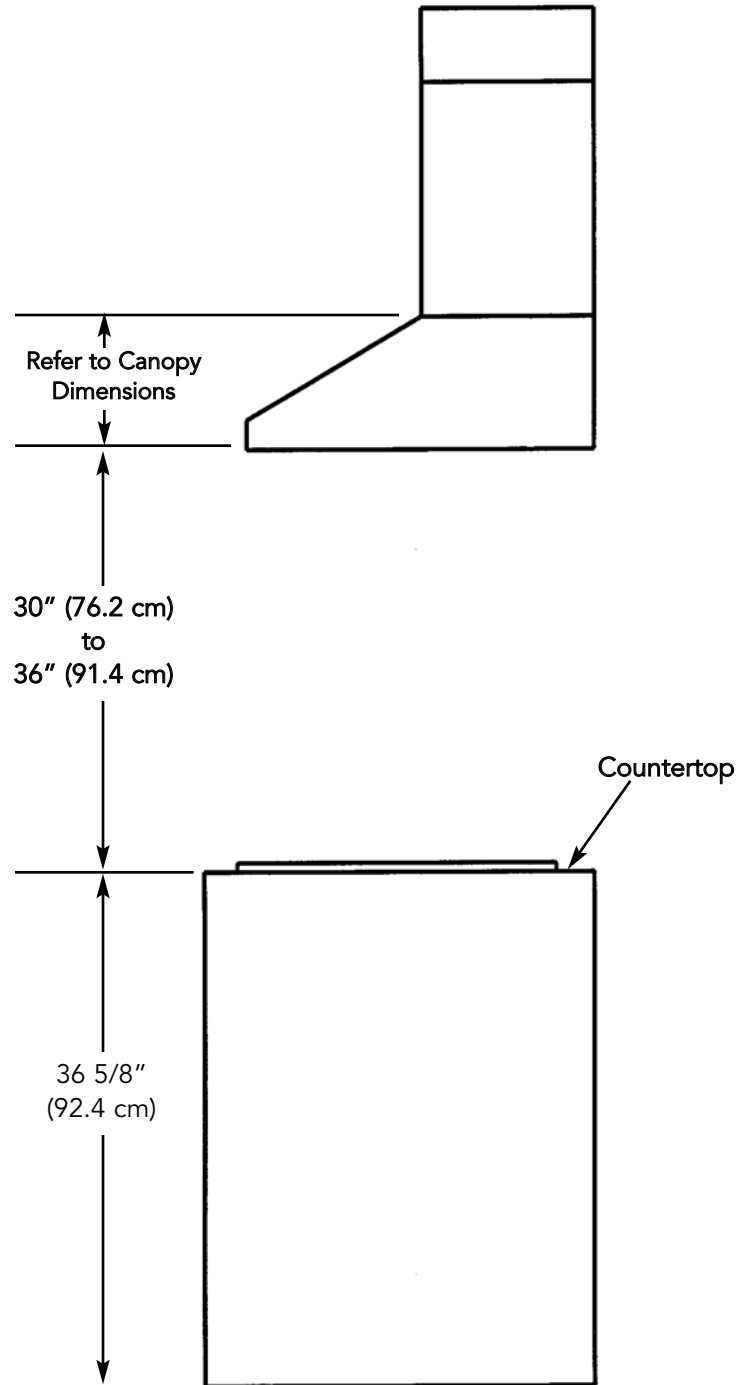
HEIGHT OF HOOD

The bottom of the hood should be 30" (76.2 cm) min. to 36" (91.4 cm) max. above the countertop. This would typically result in the bottom of the hood being 66" (167.6 cm) to 72" (182.9 cm) above the floor. For best performance results, it is recommended that the bottom of the hood be 30" (76.2 cm) to 33" (76.2 cm) above the countertop. These dimensions provide for safe and efficient operation of the hood.

DSWB SERIES



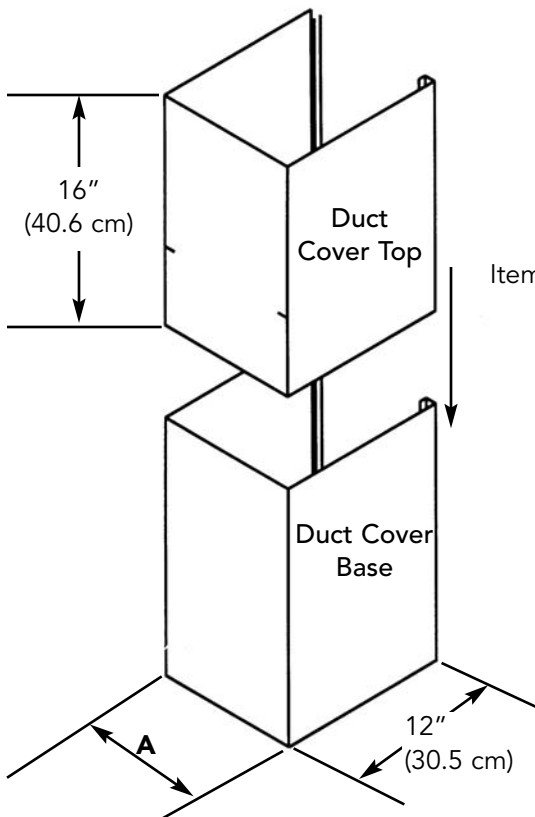
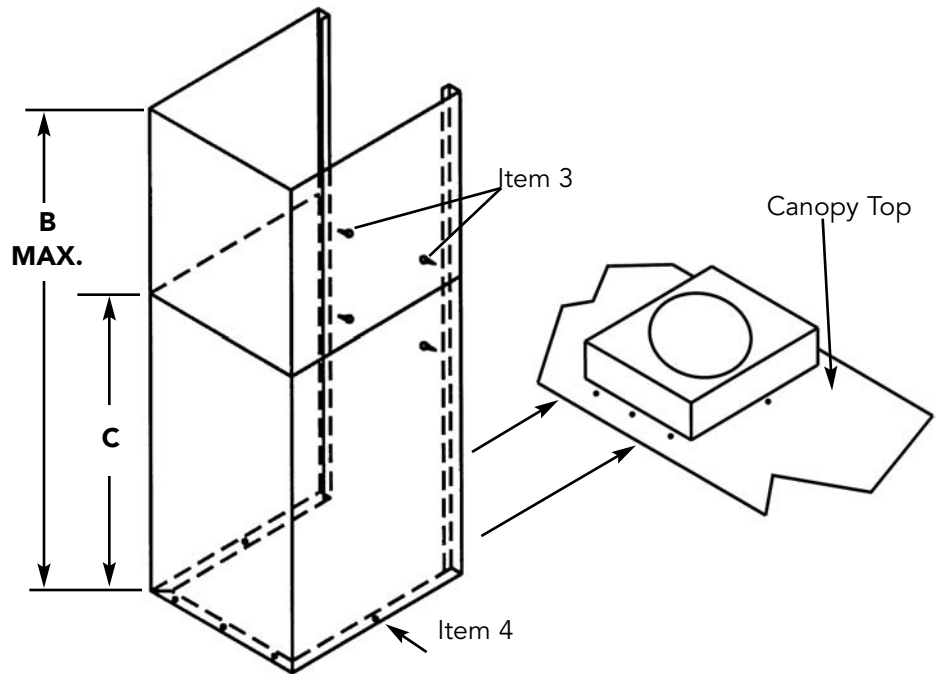
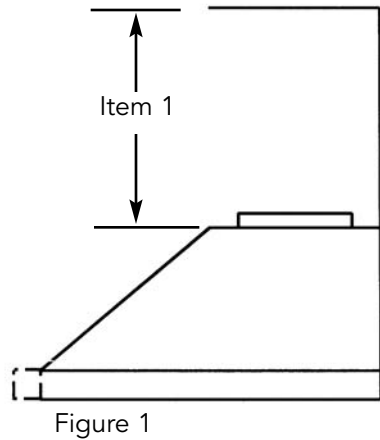
DTWS SERIES



INSTALLING THE DUCT COVER (STANDARD ON DTWS MODELS)

1. Measure from top of the canopy to ceiling and subtract 1/8" (0.3 cm) for clearance. (See Figure 1)
2. Place the duct cover top inside the duct cover base and lower until desired height is found. (See Figure 2)
3. Use the retaining nuts and bolts to fasten in place. (See Figure 3)
4. Slide the duct cover in place and fasten from inside canopy using the sheet metal screws provided. (See Figure 3)
5. For installations with ceilings above 10' (3.05 m), refer to optional accessories.

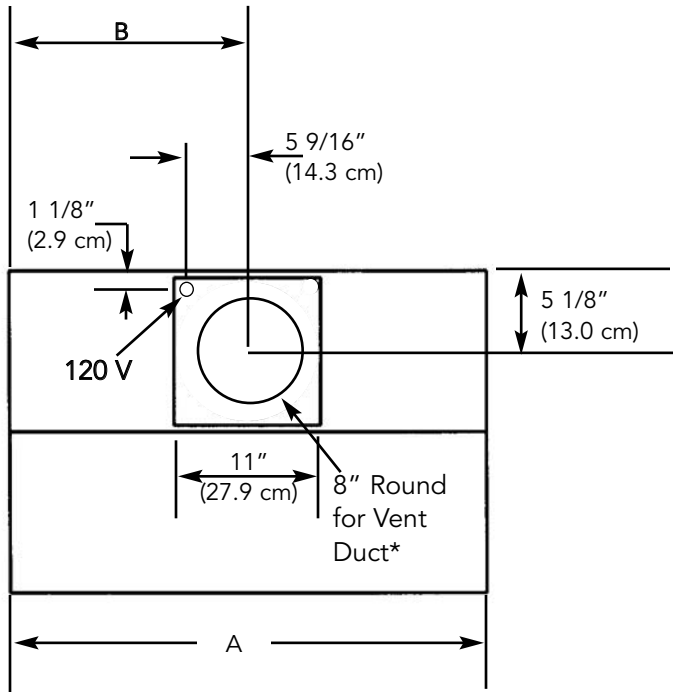
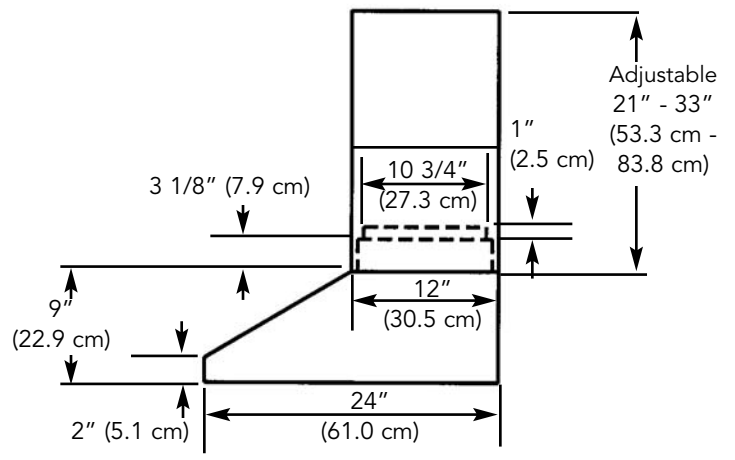
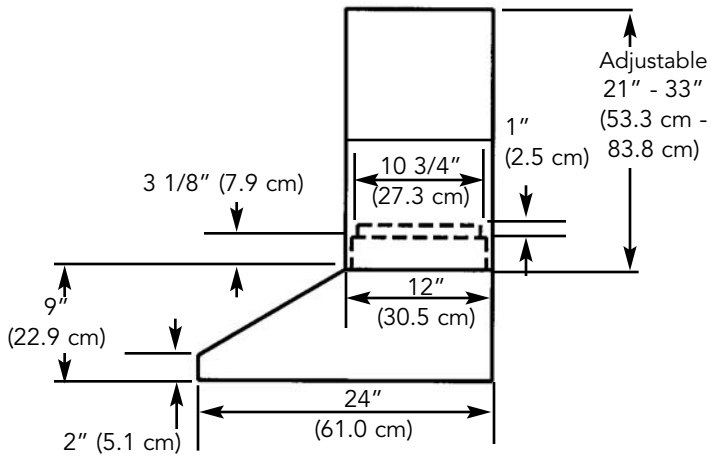
CAUTION: To reduce the risk of scratching the duct cover top, come down in one motion to desired height. Do Not adjust the duct cover up and down.



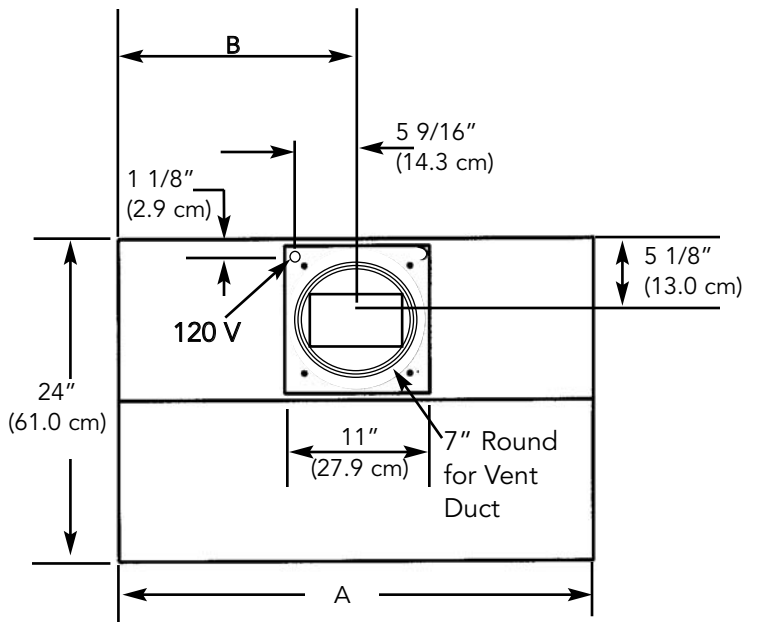
Model	"A"	"B"	"C"
DTWS3049	12" (30.5 cm)	33" (83.8 cm)	21" (53.3 cm)
DTWS3649	12" (30.5 cm)	33" (83.8 cm)	21" (53.3 cm)
DTWS4249	12" (30.5 cm)	33" (83.8 cm)	21" (53.3 cm)
DTWS4849	20" (50.8 cm)	33" (83.8 cm)	21" (53.3 cm)

WALL HOOD DIMENSIONS

30" W./36" W./42" W. SLIM TRADITIONAL STYLE



900 or 1200 CFM
External Ventilator Installation
 30" W., 36" W., and 42" W. Models



300 or 440 CFM**
Internal Ventilator Installation
 30" W., 36" W., and 42" W. Models

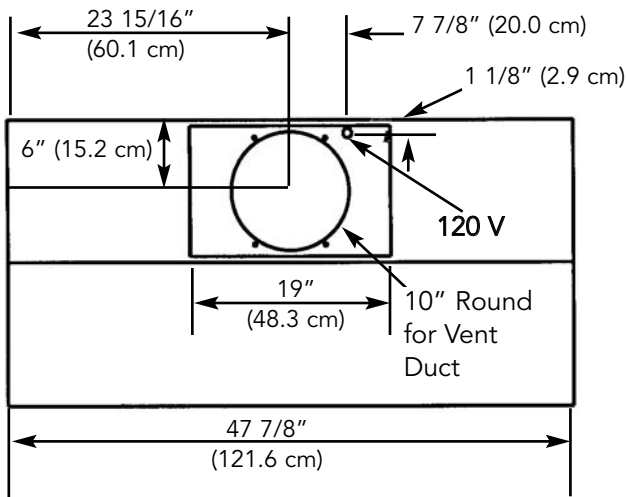
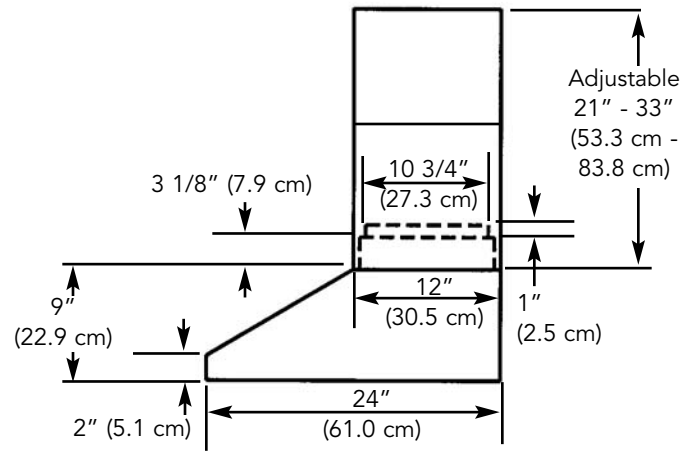
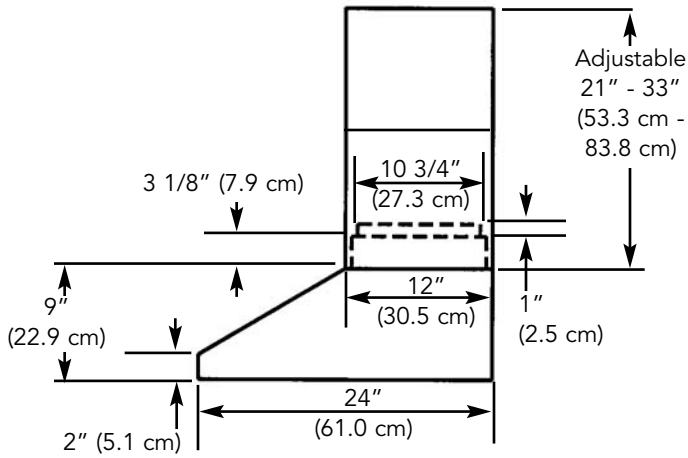
Dim.	30" W.	36" W.	42" W.
A	29 7/8" (75.9 cm)	35 7/8" (91.1 cm)	41 7/8" (106.4 cm)
B	15 3/4" (40.0 cm)	18 3/4" (47.6 cm)	21 3/4" (55.2 cm)

*8" Dia. to 10" Dia. transition must be purchased locally. Install transition past duct cover.

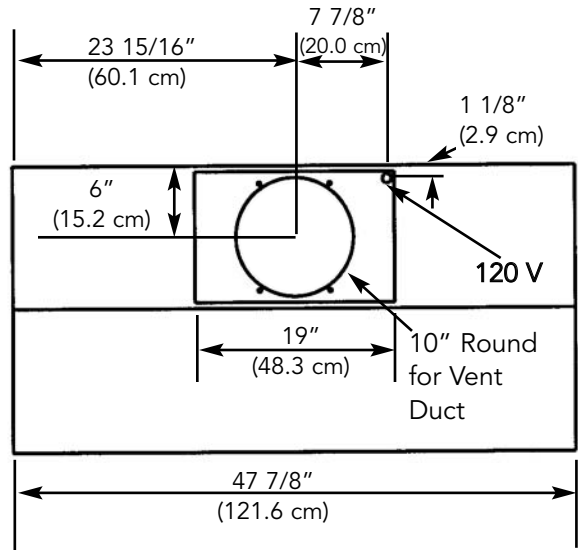
**300 CFM ventilator for installation with 30" W. and 36" W. hoods only.

WALL HOOD DIMENSIONS

48" W. SLIM TRADITIONAL STYLE



**1200 or 1500 CFM
External Ventilator Installation
48" W. Models**



**880 CFM
Internal Ventilator Installation
48" W. Models**

BASIC SPECIFICATIONS

INTERIOR AND EXTERIOR POWER HOODS

DESCRIPTION	RECOM. CFM ¹ (int.-interior; ext.- exterior)	NUMBER OF HALOGEN LIGHTS	FILTERS	SPACERS	120VAC/60Hz MAX. AMPS ³ (Interior/Exterior)
9" H. Wall					
30"W.	300 int./440 int./900 ext.	2	2	N/A	1.7/3.2/6.6
36"W.	300 int./440 int./900 ext./1200 ext.	2	2	1	1.7/3.2/6.6/3.9
42"W.	440 int./900 ext./1200 ext.	2	3	N/A	3.2/6.6/3.9
48"W.	880 int./1200 ext./1500 ext.	3	3	N/A	5.6/4.3/5.1

MODEL NUMBER	CFM ¹	RECOMMENDED DUCT SIZE	MAX. DUCT RUN ² (ft.)
For Use with hoods:			
DIV300 (interior)	300	7" round	50
DIV440 (interior)	440	7" round	50
DIV880 (interior)	880	10" round	50
DEV900 (exterior)	900	10" round*	50
DEV1200 (exterior)	1200	10" round	50
DEV1500 (exterior)	1500	10" round	75

*Must use 8" duct from canopy to ceiling - transition to 10" duct past duct cover

PROPER INSTALLATION/DUCTING IS EXTREMELY IMPORTANT TO ENSURE MAXIMUM PERFORMANCE FROM ANY VENTILATION PRODUCT

- All CFMs stated are based on tests at .1 static pressure: without applying static pressure, CFM would be greatly overstated.
- Duct run length is for general reference only; for longer duct runs, increase duct size and contact a qualified and trained installer.
 - Straight runs and gradual turns are best; for example, each 90° elbow is equivalent to 5-10 feet (1.52 - 3.05 m) of straight run.
 - Never use flexible duct; it creates back pressure/air turbulence and greatly reduces performance.
 - Proper performance is dependent upon proper ducting; make sure that a qualified and trained installer is used.
 - Check with a qualified and trained installer or local codes for makeup air requirement, if any.**
- Max. amp rating for hoods includes recommended ventilator kit rating; all products must be hard wired direct with 2-wire with ground.