

BASIC SPECIFICATIONS

	Microwave Oven		Built-In Trim Kits					
	VMOC205		VMTK275/276		VMTK305/306		VMTK365/366	
Overall Width	24-5/8" (62.5 cm)		26-1/2" (67.3 cm)		29-1/2" (74.9 cm)		35-1/4" (89.5 cm)	
Overall Height from Bottom	14-7/8" (37.7 cm)		20-3/16" (50.9 cm)	19-13/16" (50.1 cm)	20-3/16" (50.9 cm)	19-13/16" (50.1 cm)	20-3/16" (50.9 cm)	19-13/16" (50.1 cm)
Overall Depth from Rear	19" (48.3 cm)		N/A					
Oven Interior	Width	16-1/8" (40.9 cm)	N/A					
	Height	9-5/8" (24.4 cm)	N/A					
	Depth	16-1/8" (40.9 cm)	N/A					
	Overall	1.5 cu. ft.	N/A					
Cutout Width	N/A		Min.	25" (63.5 cm)				
Cutout Height	N/A		Min.	18-1/2" (46.9 cm)				
Cutout Depth	N/A		Min.	20-1/8" (51.1 cm)				
Electrical Requirements	120VAC/60 Hz (UL) 117VAC/60 Hz (CSA)		N/A					
Max. Amp Usage	1.55 KW	13.0 amps (UL)	N/A					
	1.5 KW	13 (CSA)	N/A					
Approx. Shipping Wt.	60 lbs. (27.2 kg)		20.5 lbs. (9.3 kg)		20.5 lbs. (9.3 kg)		22 lbs. (10 kg)	

CABINET OR WALL CUTOUT

Provide an opening in the wall or cabinet as indicated in illustration 1. The depth should be a minimum of 20-1/8" (51.1 cm). The floor of the opening should be constructed of plywood strong enough to support the weight of the oven (about 100 lbs.) and should be level for proper operation of the oven.

NOTE: While the proper functioning of the oven does not require that the opening be enclosed (with sides, ceiling and rear partition), this may be required by local code, and it is suggested that the local code be checked for any such requirement.

ELECTRICAL OUTLET LOCATION

Outlet should NOT be in the shaded area as indicated on illustration 1. At the rear of the opening, provide a 3-pronged, polarized, electrical outlet, 115-120 volt AC, 15 amp or larger.

EXHAUST DUCT ASSEMBLY

1. Insert the edge of DUCT (B) into the hold lip of DUCT (C). Secure together by using a SCREW (A) provided in the kit. Remove the existing screw (#1) at upper right rear of the oven and secure DUCT (C) with the screw (#1) just removed from the oven. Secure DUCT (B) with SCREW (A) through the duct and into the original screw hole in the oven. See illustration 2.

Illustration 1

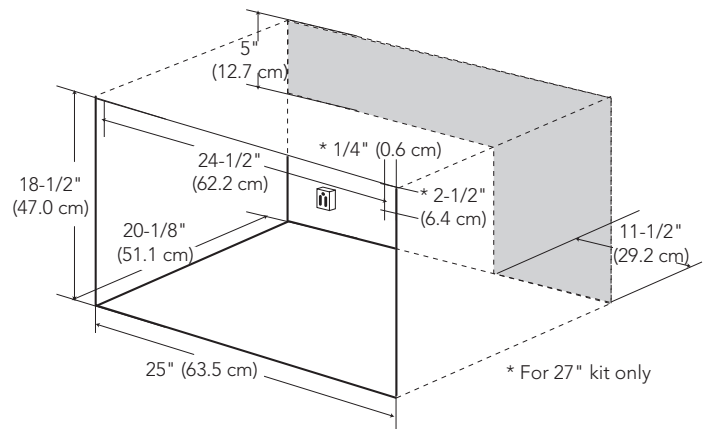


Illustration 2

