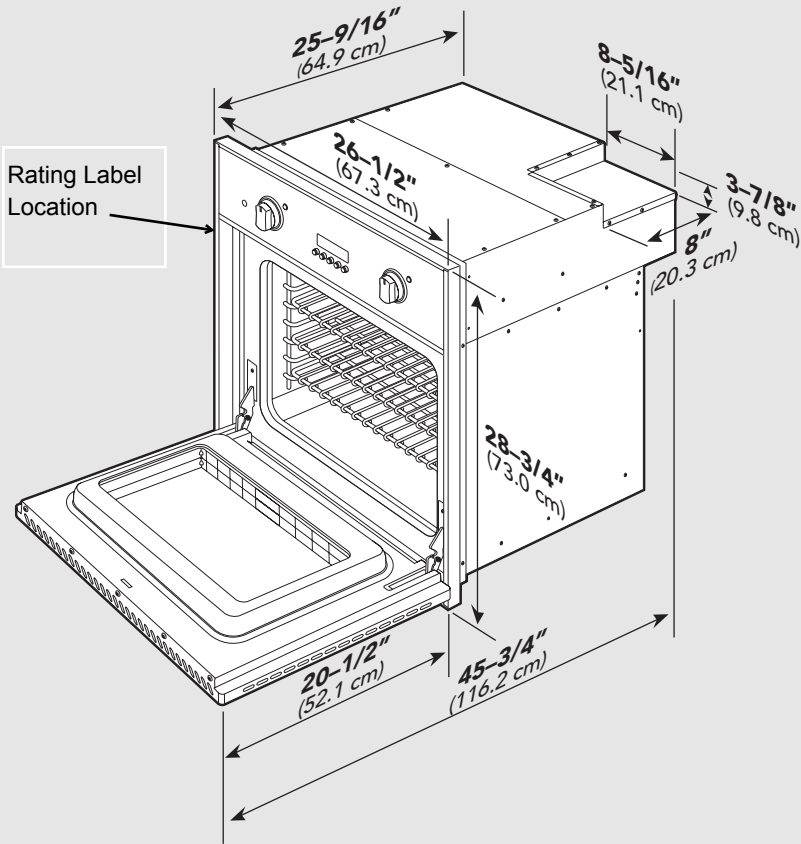
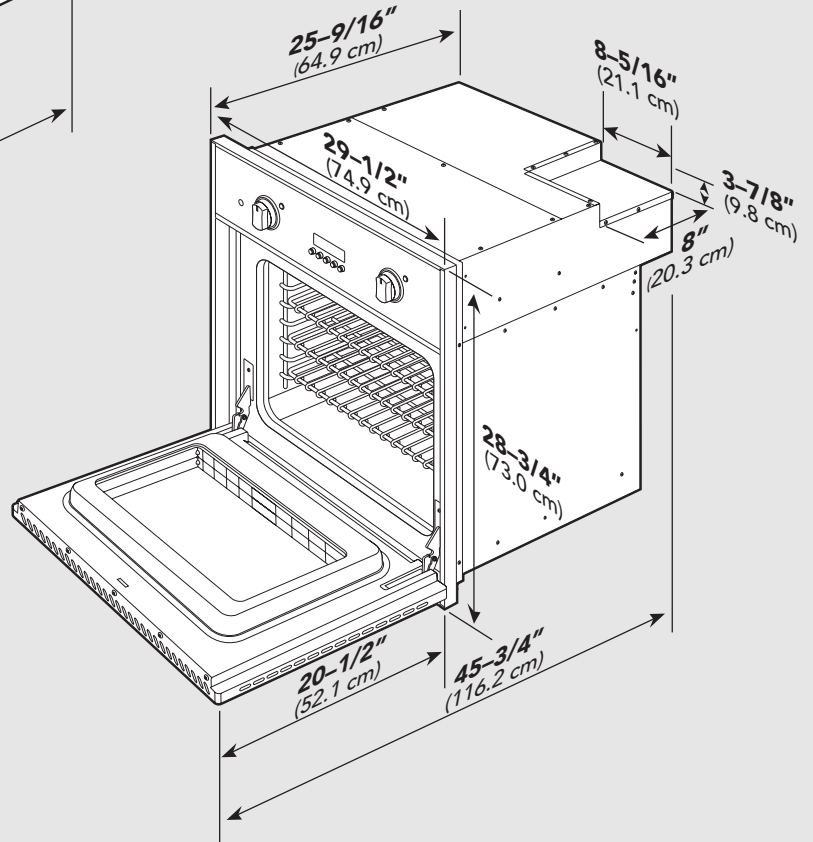


Dimensions—Single Oven (Professional Series)

27" Wide



30" Wide



Specifications & Electrical Requirements

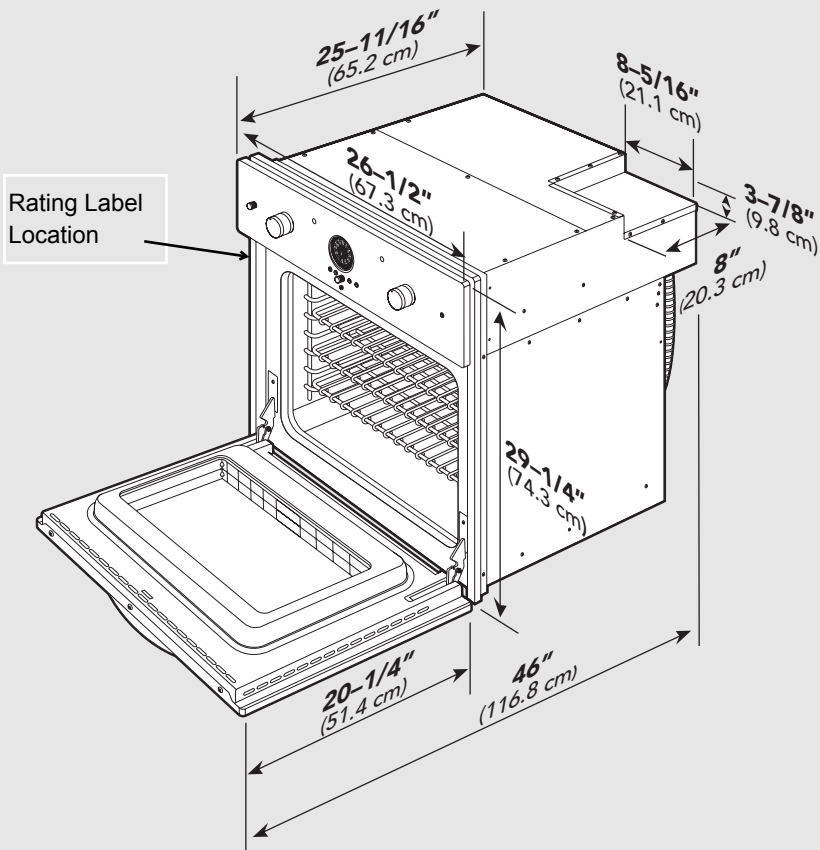
Professional Single Oven		
Description	VESO127/527–27" Wide	VESO130/530–30" Wide
Overall Width	26 1/2" (67.3 cm)	29 1/2" (74.9 cm)
Overall Height	28 3/4" (73.0 cm)	
Overall Depth	to edge of door—25 9/16" (64.9 cm) with door open—45 3/4" (116.2 cm)	
Cutout Width	25 1/2" (64.8 cm)	28 1/2" (72.4 cm)
Cutout Height	28 1/8" (71.4 cm)	
Cutout Depth	24" (61.0 cm)	
Electrical Requirements	4-wire ground, 240VAC, 30 amp electrical connection Unit equipped with No.10 ground wire in unit. Fuse separately.	
Maximum Amp Usage	24.0 amps—240 VAC 20.8 amps—208 VAC	
Oven Interior Width	22 7/16" (57.0 cm)	25 7/16" (64.6 cm)
Oven Interior Height	16 1/2" (41.9 cm)	
Oven Interior Depth	16 13/16" (42.7 cm)	
Oven Volume <small>(measured to AHAM standard)*</small>	3.6 cu. ft.	4.1 cu. ft.
Oven Volume <small>(total oven cavity)</small>	4.2 cu. ft.	4.8 cu. ft.
Approximate Shipping Weight	237 lbs. (108 kg)	261 lbs. (118 kg)

*The AHAM Standard for measuring oven capacity subtracts the door plug and convection baffle dimension from the total oven volume.

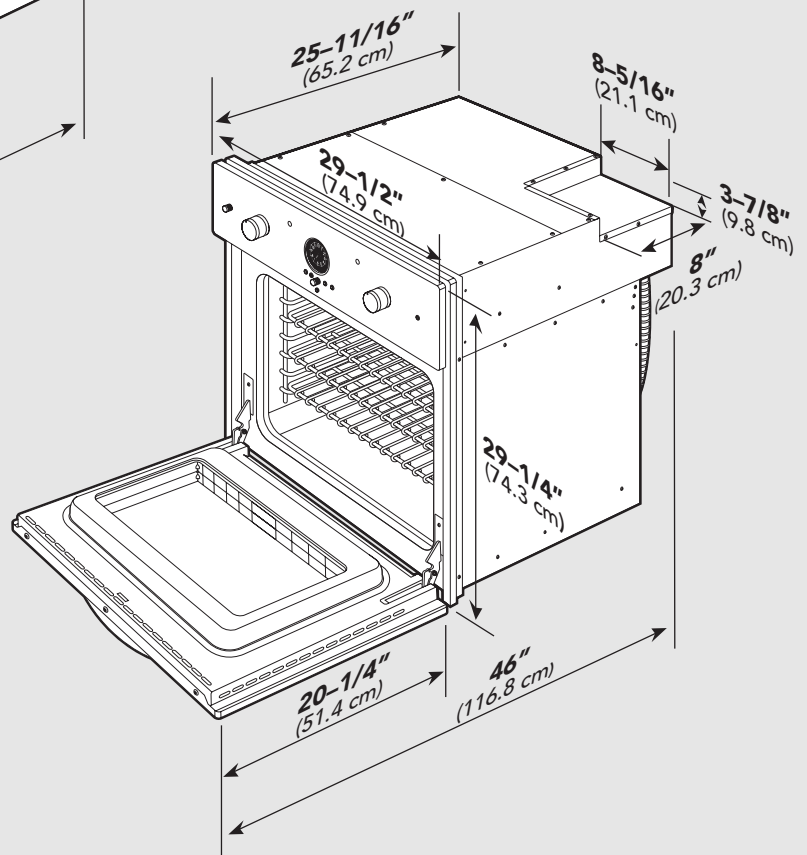
Dimensions—Single Oven

(Designer Series—Mechanical and Touch Control Models)

27" Wide



30" Wide



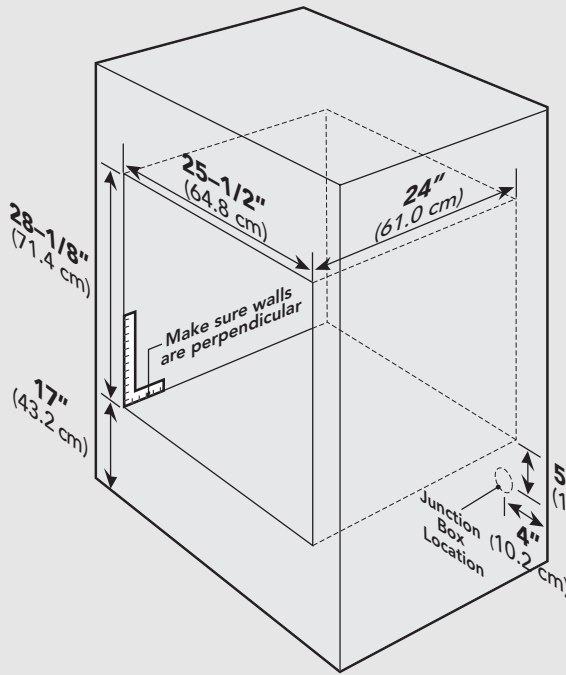
Specifications & Electrical Requirements

Designer Single Oven		
Description	DESO127(T)/527(T)—27" Wide	DESO130(T)/530(T)—30" Wide
Overall Width	26 1/2" (67.3 cm)	29 1/2" (74.9 cm)
Overall Height	29 1/4" (74.3 cm)	
Overall Depth	to edge of door—25 11/16" (65.2 cm) with door open—46" (116.8 cm)	
Cutout Width	25 1/2" (64.8 cm)	28 1/2" (72.4 cm)
Cutout Height	28 1/8" (71.4 cm)	
Cutout Depth	24" (61.0 cm)	
Electrical Requirements	4-wire ground, 240VAC, 30 amp electrical connection Unit is equipped with No.10 ground wire in conduit. Should be fused separately.	
Maximum Amp Usage	24.0 amps—240 VAC 20.8 amps—208 VAC	
Oven Interior Width	22 7/16" (57.0 cm)	25 7/16" (64.6 cm)
Oven Interior Height	16 1/2" (41.9 cm)	
Oven Interior Depth	16 13/16" (42.7 cm)	
Oven Volume <small>(measured to AHAM standard)*</small>	3.6 cu. ft.	4.1 cu. ft.
Oven Volume <small>(total oven cavity)</small>	4.2 cu. ft.	4.8 cu. ft.
Approximate Shipping Weight	237 lbs. (108 kg)	261 lbs. (118 kg)

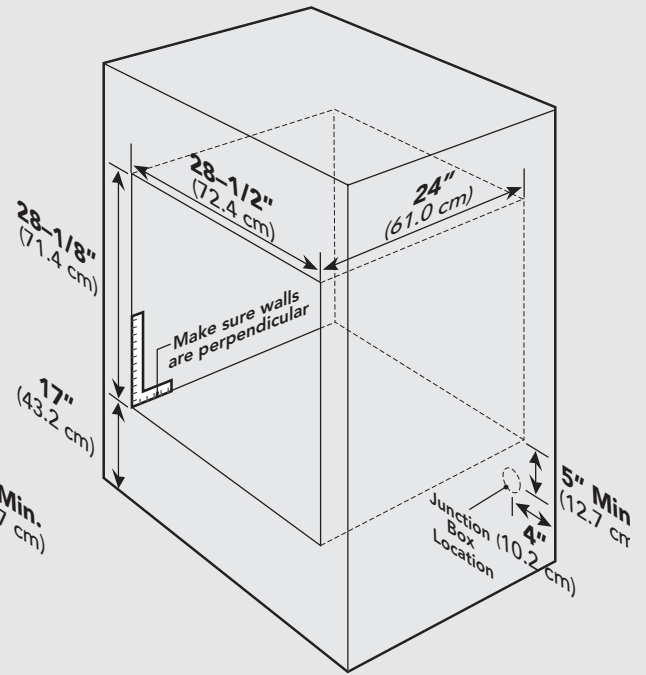
*The AHAM Standard for measuring oven capacity subtracts the door plug and convection baffle dimension from the total oven volume.

Cutout Dimensions—Single Oven (Professional Series)

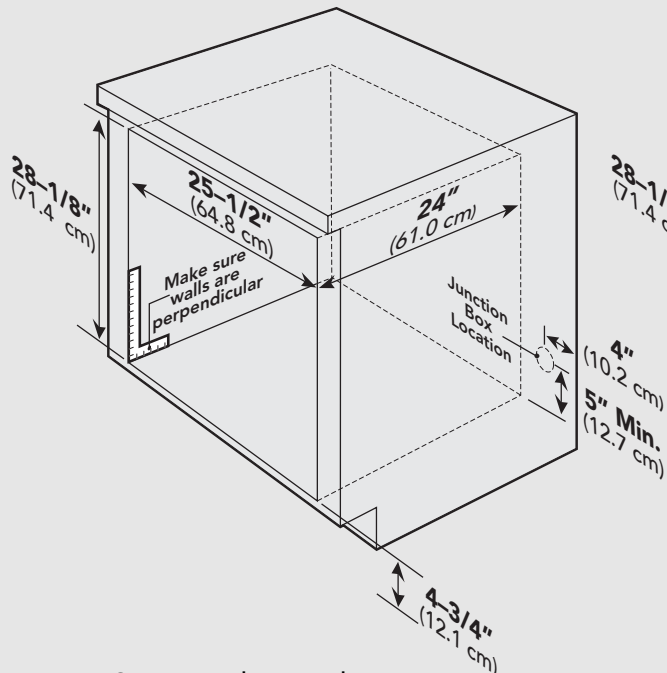
27" Wide Built-In



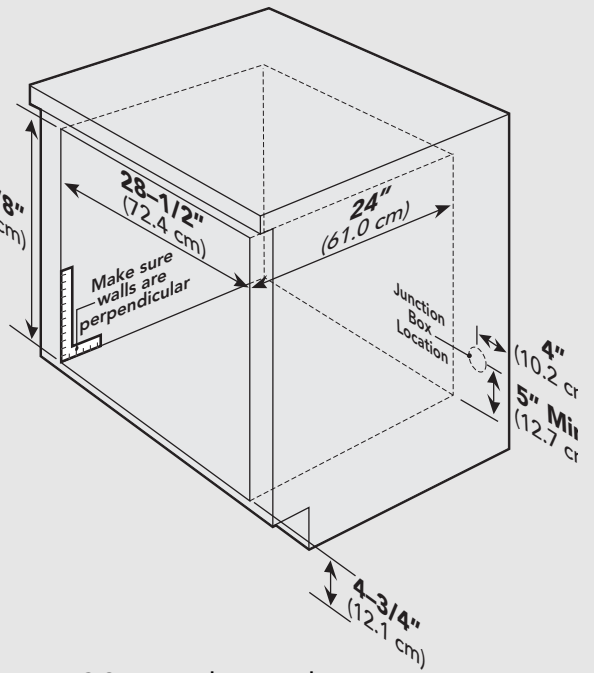
30" Wide Built-In



27" Wide Undercounter



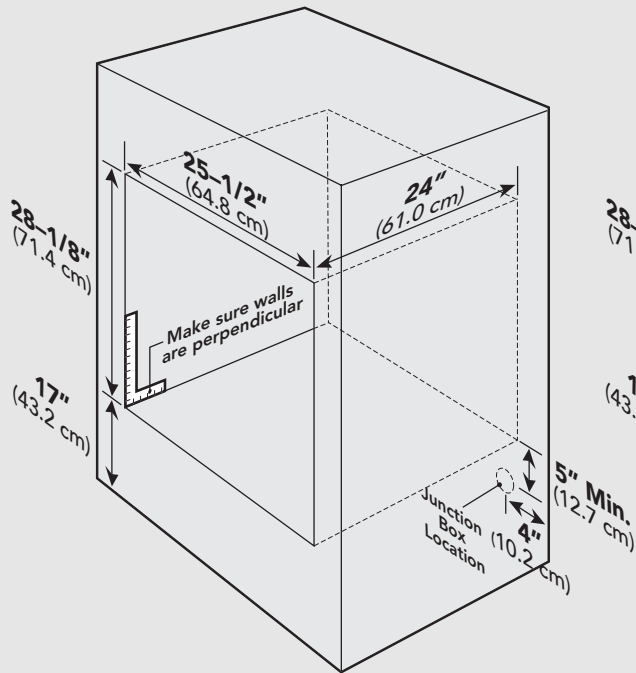
30" Wide Undercounter



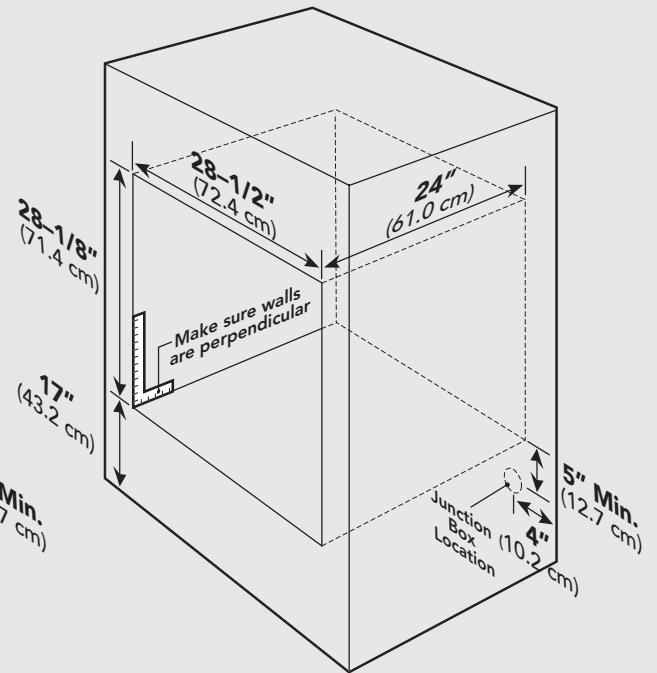
Cutout Dimensions—Single Oven

(Designer Series—Mechanical and Touch Control Models)

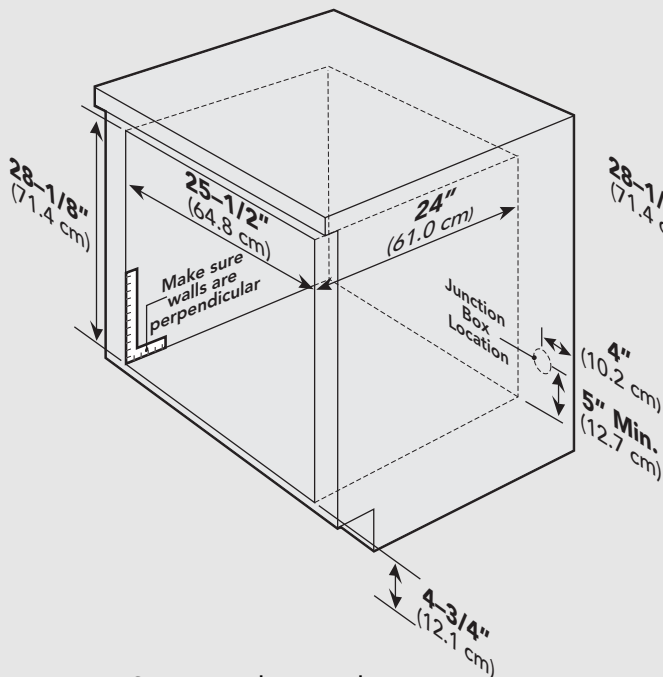
27" Wide Built-In



30" Wide Built-In



27" Wide Undercounter



30" Wide Undercounter

