

Frigidaire

Factory Parts Catalog

| | |
|----------------|---------------|
| Product No. | FFU21M7HWA |
| Series | 134A |
| Color | white |
| Volts | 115 |
| Wiring Diagram | 297010201 |
| Owner's Guide | 297080400 |
| Market | North America |
| Energy Guide | 216795110 |

 **Electrolux**

Electrolux Major Appliances
North & Latin America
P.O. BOX 212378
AUGUSTA, GA 30917

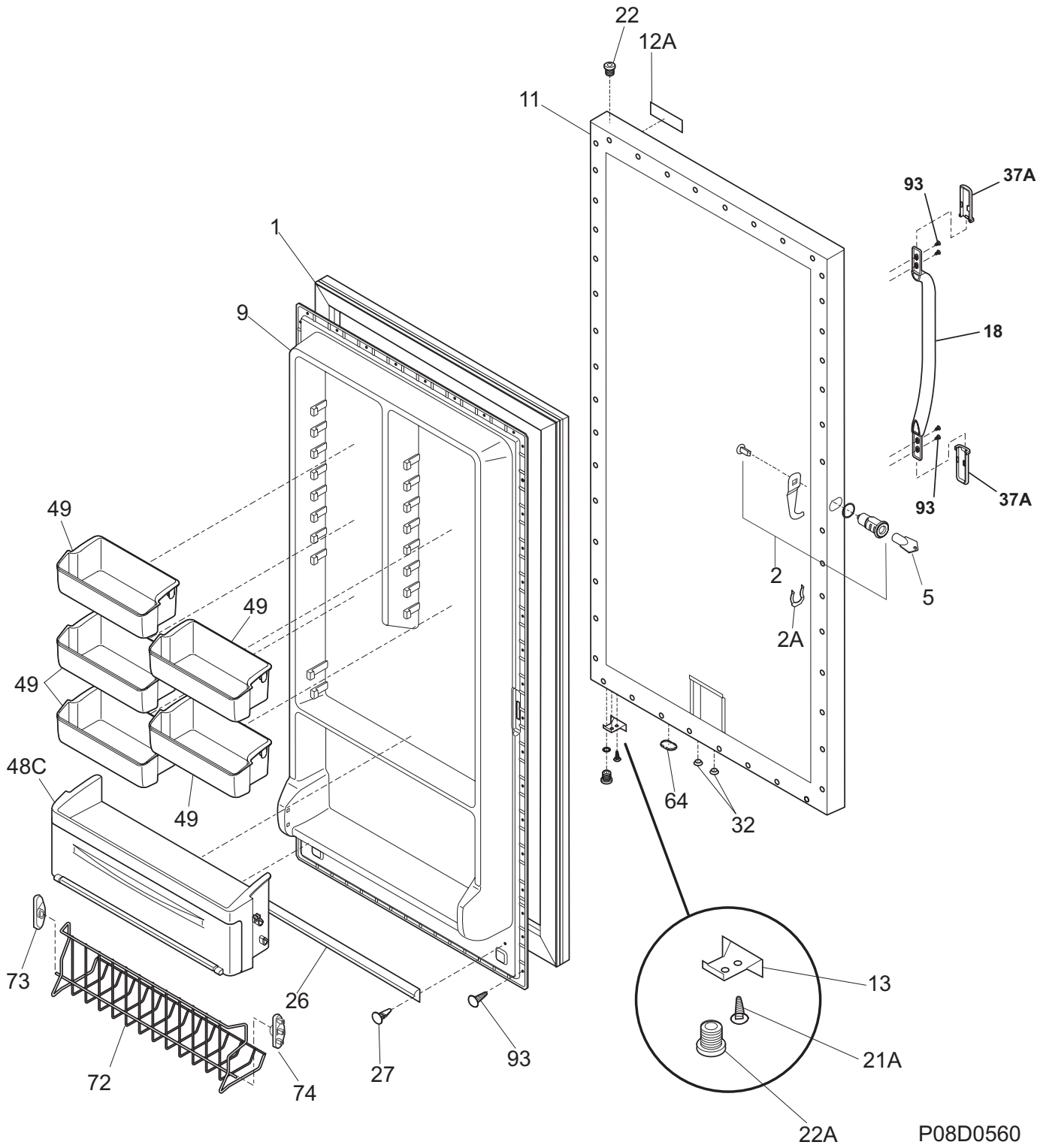
Publication No.
5995513248
08/05/01
(EN/SERVICE/MLR)
365

UPRIGHT FREEZER

Model No.
FFU21M7HW

Copyright © 2008 Electrolux Home Products, Inc.
All rights reserved.

DOOR

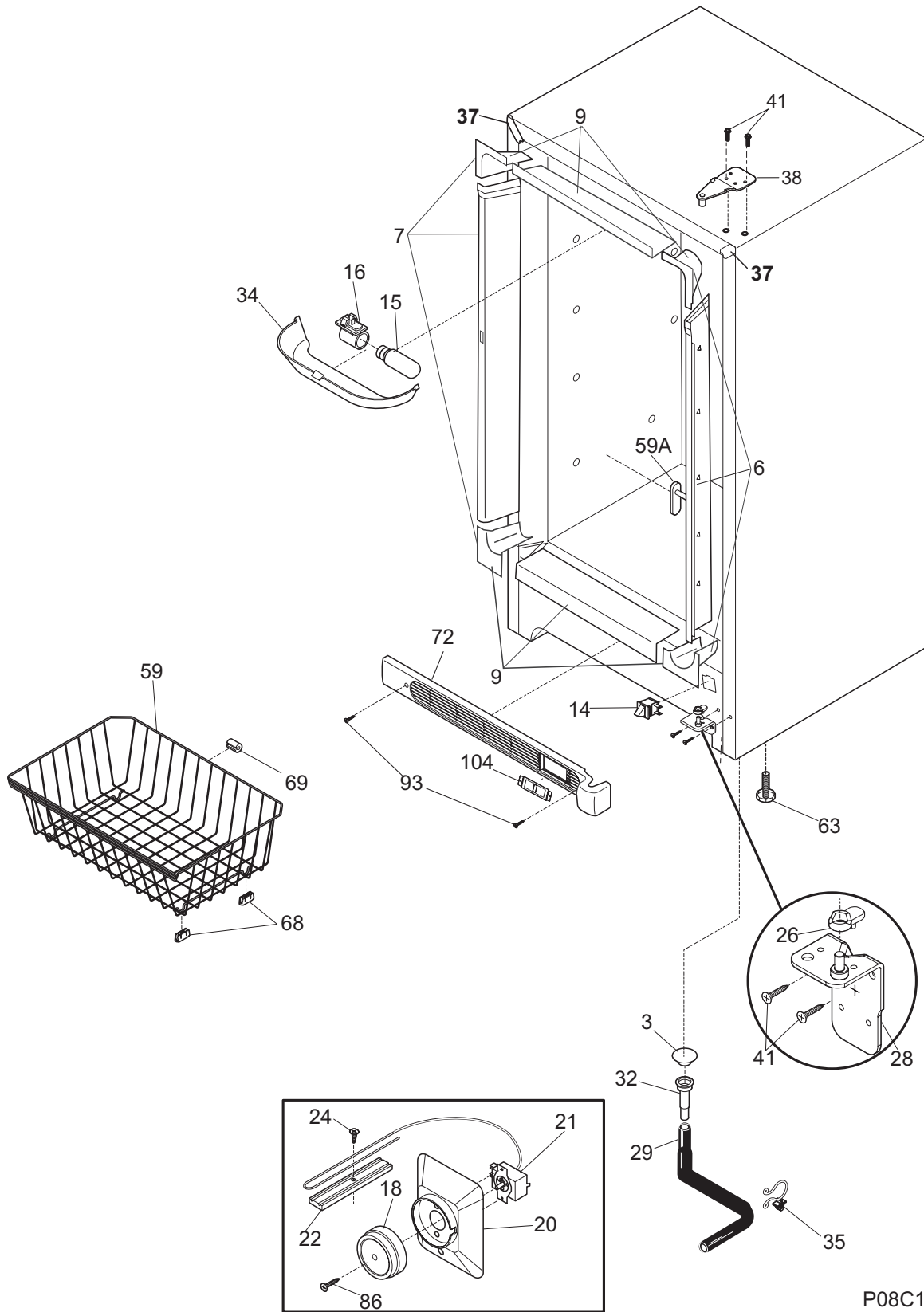


P08D0560

DOOR

| POS. NO | PART NO. | DESCRIPTION |
|---------|------------|--|
| 1 | 216522312 | Gasket-door, white |
| 2 # | 297213400 | Lock Assy |
| 2A | 297213300 | Clip, spring |
| 5 | 297147700 | Key, lock |
| 9 | 297185900 | Panel-inner door, frzr |
| 11 | 297245404 | Panel-outer door, white |
| 12A | 216892802 | Nameplate |
| 13 | 297148400 | Door Stop |
| 18 | 218762701 | Handle-door, white |
| 21A | 297197500 | Screw, door stop mtg, FH38-16X.750, P Twin |
| 22 | 216970800 | Bearing, hinge w/o'ring, top |
| 22A | 297006800 | Bearing-hinge, btm, w/o'ring |
| 26 | 216524200 | Gasket, secondary |
| 27 | 5303212828 | Clip, panel mtg |
| 27* | 5304406520 | Clip, panel mtg kit, (40) |
| 32 | 5309950074 | Valve, breather |
| 37A | 215870619 | Trim-handle, 2.47", white, w/chrome band |
| 37A* | 218676001 | Band-decorative, chrome, handle trim |
| 48C | 297186400 | Bin-door, w/lid |
| 49 | 297187200 | Bin-door, 2-liter |
| 64 | 216403700 | Plug-button, hole filler, door base |
| 72 | 297186700 | Shelf, tilt out, wire |
| 73 | 216513900 | End Cap, shelf, LH, tilt-out |
| 74 | 216514000 | End Cap, shelf, RH, tilt-out |
| 93 | 5304460605 | Screw, ph truss head, 8-18AB x 0.500 |

CABINET

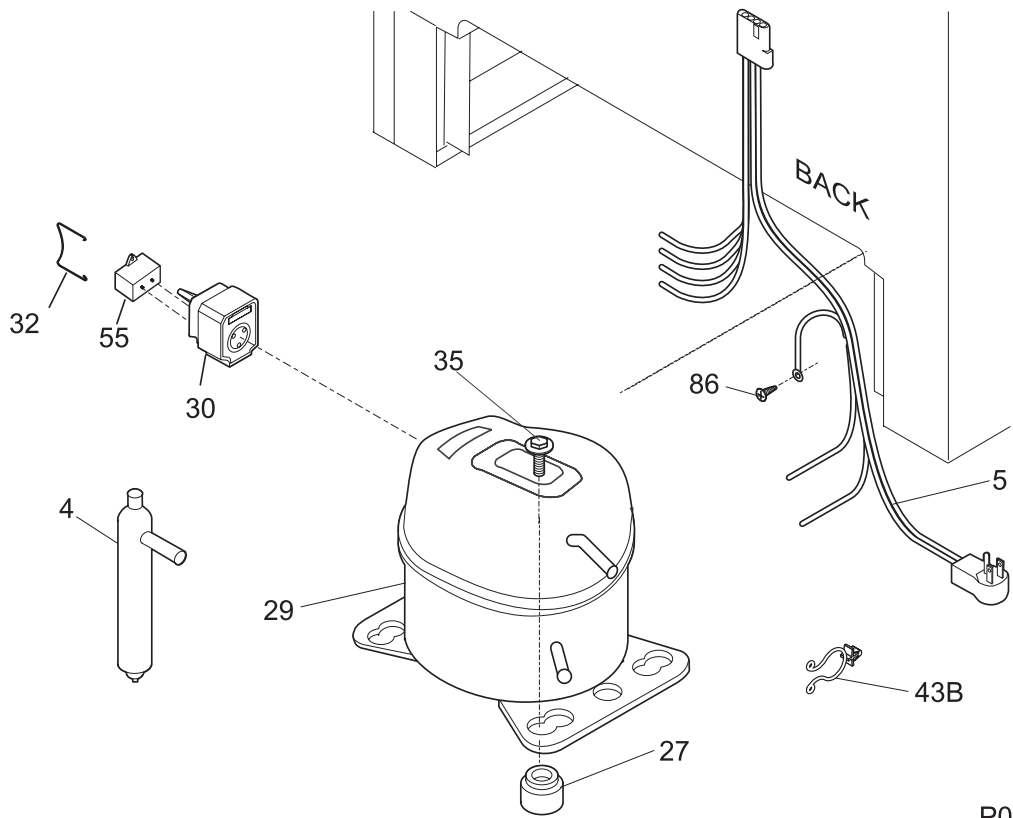
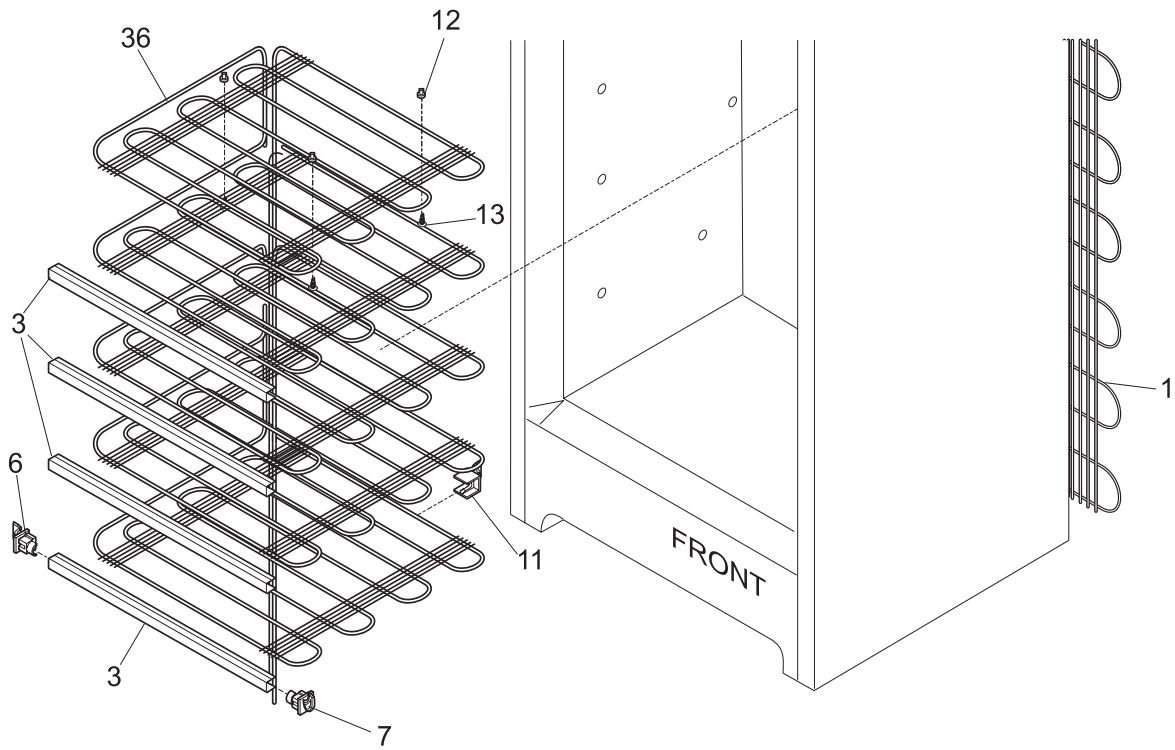


P08C1110

CABINET

| POS. NO | PART NO. | DESCRIPTION |
|---------|------------|--|
| 3 | 216502600 | Plug, drain, interior |
| 6 | 297200900 | Breaker Kit w/corners |
| 7 | 297201100 | Breaker Kit w/corners, lock catch |
| 9 | 297200100 | Breaker Kit w/corners, 32", top and bottom |
| 14 | 216998000 | Switch, light/lamp, ramp |
| 15 | 216846400 | Light Bulb/Lamp |
| 16 | 216817600 | Socket, light/lamp, 25 W |
| 18 | 216707200 | Knob, temp control |
| 20 | 297013800 | Cover-control housing |
| 21 # | 216788100 | Control-temperature |
| 22 | 216823500 | Clamp, cap tube, cold control |
| 24 | 5304460604 | Screw, type A, 10-24 x 3/8 |
| 26 | 216503300 | Ramp, door closer |
| 28 | 297240800 | Hinge-bottom, stepped pin |
| 29 | 216313502 | Hose-drain |
| 32 | 5308005500 | Drain |
| 34 | 297184400 | Shield-light |
| 35 | 216273000 | Clip, drain hose |
| 37 | 241611301 | Trim-cabinet corner, white, (2) |
| 38 | 297164300 | Hinge-upper |
| 41 | 240578902 | Screw, hex head, 1/4-20 x 5/8 |
| 59 | 297225400 | Basket |
| 59A | 216486500 | Stop-basket, (2) |
| 63 | 216396900 | Screw, leveling foot, plastic, adjustable |
| 68 | 08009560 | Glide-basket, (4) |
| 69 | 5305878546 | Bumper-basket, (2) |
| 72 | 297036902 | Grille/Kickplate, 32", white |
| 86 | 216036601 | Screw, RWHD, 8-32A x 0.500, GX-CA |
| 93 | 5304460605 | Screw, ph truss head, 8-18AB x 0.500 |
| 104 | 216948401 | Light, signal, assy w/bracket |
| 104* | 216926700 | Shield |
| * | 216795110 | Energy Guide |
| * | 5303305324 | Paint, touch-up, white |
| * | 297001704 | Insulation, 24", drain tube |

SYSTEM



P08S0473

SYSTEM

| POS. NO | PART NO. | DESCRIPTION |
|---------|------------|--|
| 1 # | 5300083897 | Condenser |
| 3 | 216847806 | Trim-shelf, evaporator |
| 4 | 216987500 | Drier-filter |
| 5 # | 297171900 | Harness-main, w/light |
| 6 | 297001600 | Support-shelf, front LH |
| 7 | 297001500 | Support-shelf, front RH |
| 11 | 216474600 | Support-rear shelf |
| 12 | 216225700 | Grommet-spacer |
| 13 | 216138901 | Screw, hex sems, 8-18AB x 1.00, evap |
| 27 | 5308002681 | Grommet, compressor |
| 29 # | 5304463417 | Compressor Kit |
| 30 | 216954215 | Controller, compressor |
| 32 | 216954300 | Clip, controller |
| 35 | 240491503 | Screw-compressor mtg, 1/4-28 x 1.16, (4) |
| 36 # | 297212100 | Evaporator, tubing assy, white |
| 43B | 297048400 | Clip |
| 55 | 218909913 | Capacitor, run, 220 VAC, 15 microfarad |
| 86 | 216036601 | Screw, RWHD, 8-32A x 0.500, GX-CA |
| * | 216502500 | Sleeve, suction line |
| * | 297102800 | Spacer-tube |
| * # | 297169900 | Cord-power, flat |