

EO, PO, MOV & MOH

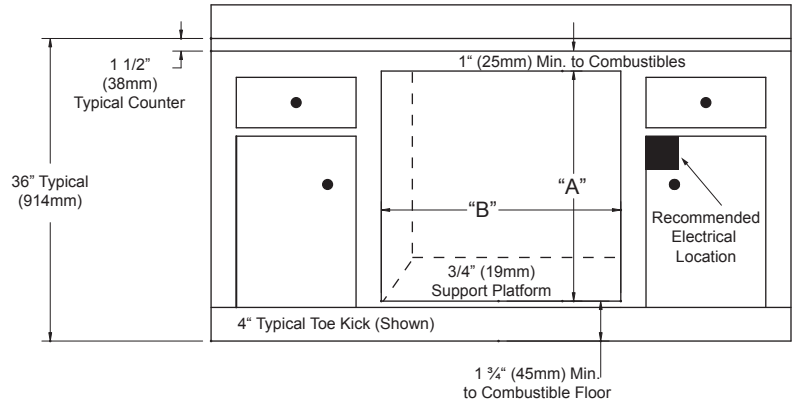
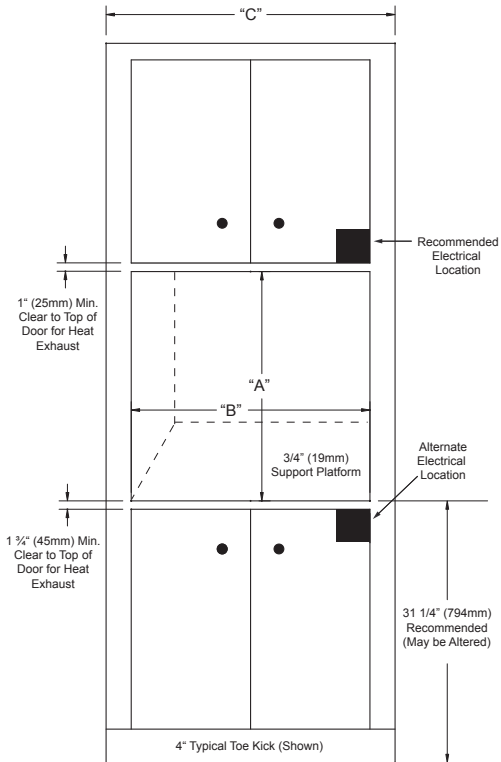


Revised
10/22/07

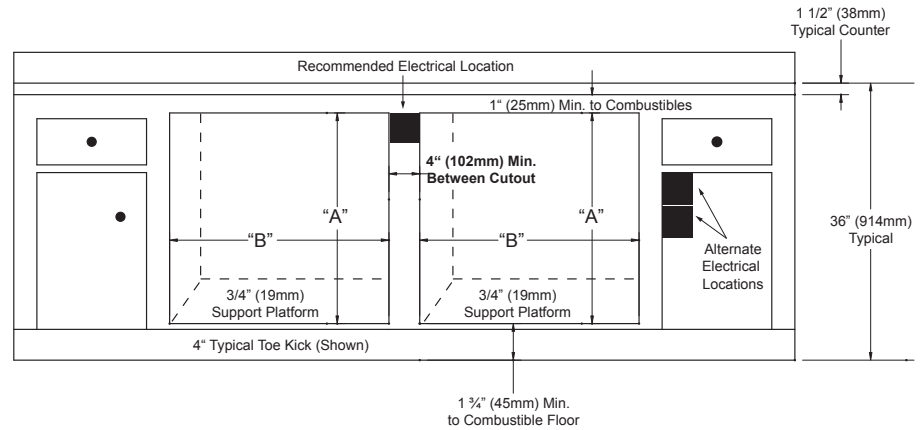
27, 30" Wide, Single, Discovery Wall Ovens

1/2

PLANNING GUIDE



CUTOUT DIMENSIONS INSTALLED UNDER-COUNTER



CUTOUT DIMENSIONS SIDE-BY-SIDE INSTALLED UNDER-COUNTER

Model Number	Cutout Height "A"	Cutout Width "B"	Min. Cabinet Width "C"
EO127	27 7/16" (697mm)	25 1/2" (648mm)	27" (686mm)
PO127			
MOV127			
MOH127			
EO130	28 1/2" (724mm)	28 1/2" (724mm)	30" (762mm)
PO130			
MOV130			
MOH130			

CUTOUT DIMENSIONS

NOTES:

- 24" (610mm) minimum interior cabinet depth. Back of cabinet may need to be removed.
- 3/4" (19mm) support platform (flush with cutout).
- 1/8" (3mm) minimum clearance from appliance to adjacent cabinet doors/drawers.
- Two (2) Single Ovens are not approved in a stack configuration.

EO, PO, MOV & MOH

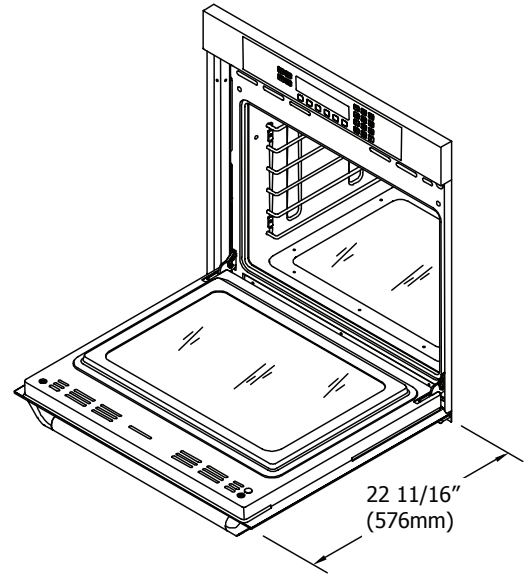
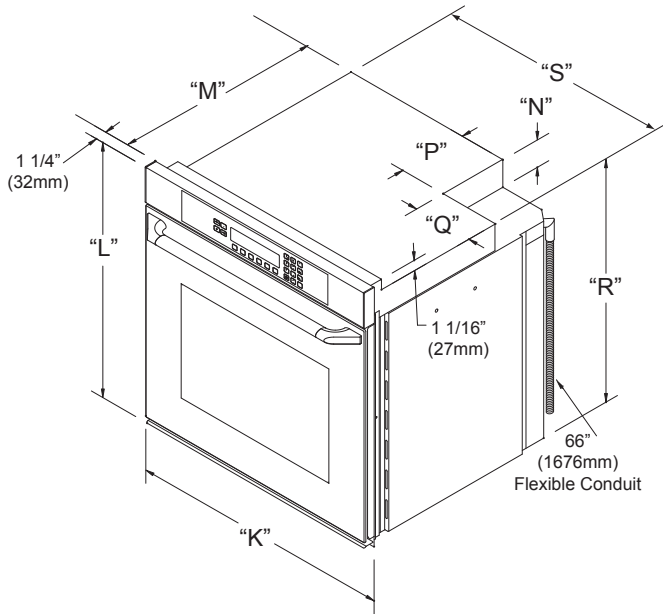


Revised
03/20/08

27, 30" Wide, Single, Discovery Wall Ovens

2/2

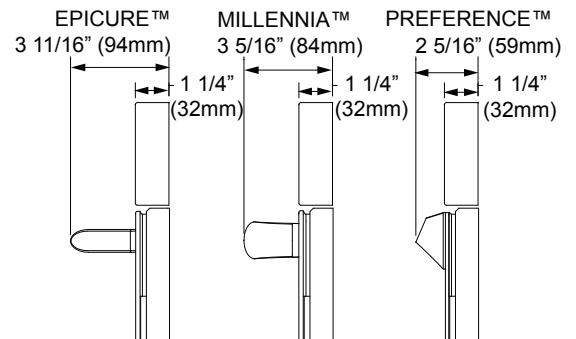
PLANNING GUIDE



Model Number	Overall Width "K"	Overall Height "L"	Chassis Depth "M"	Recess Height "N"	Recess Depth "P"	Recess Width "Q"	Chassis Height "R"	Chassis Width "S"
EO127	27" (686mm)	27 15/16" (710mm)	23 3/8" (594mm)	2 5/16" (59mm)	7 3/8" (187mm)	6 3/8" (162mm)	26 3/8" (670mm)	25 3/8" (644mm)
PO127								
MOV127								
MOH127								
EO130	30" (762mm)	27 15/16" (710mm)	23 3/8" (594mm)	2 5/16" (59mm)	7 3/8" (187mm)	6 3/8" (162mm)	26 3/8" (670mm)	28 3/8" (720mm)
PO130								
MOV130								
MOH130								

OVERALL DIMENSIONS

Dedicated Circuit Required	Total Connected Load	Approximate Shipping Weight
240VAC, 4-wire, 60Hz, 30A (Breaker)	4.6kW (19.5A)	240 lbs.



SIDE VIEW HANDLE PROJECTIONS