

EOR, MOR

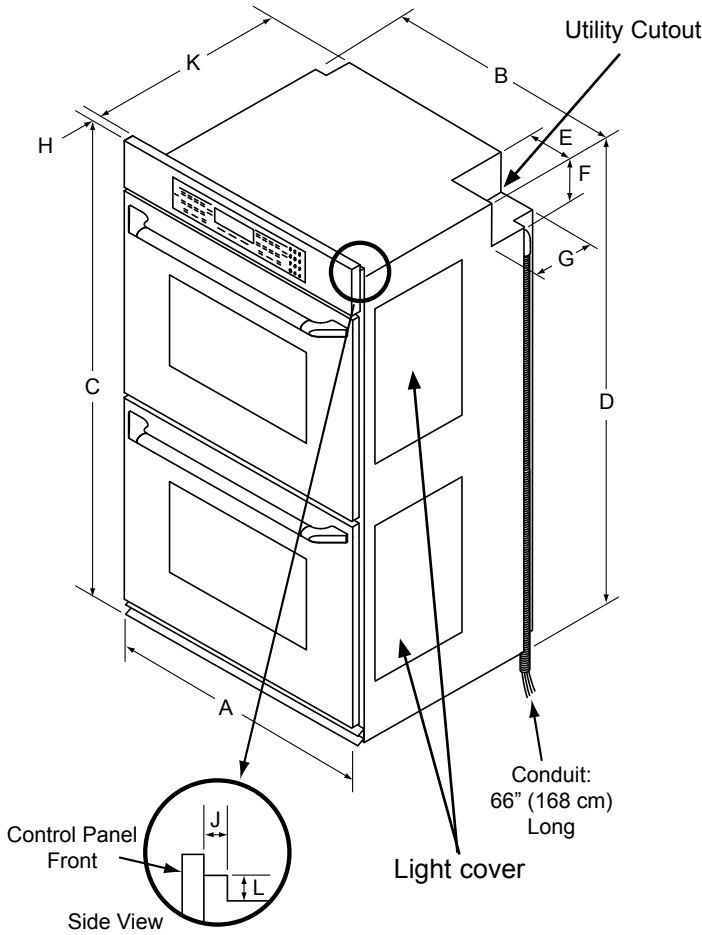


Revised
01/28/08

27", 30", 36" Wide, Double, Renaissance Wall Ovens

1/2

PLANNING GUIDE



Model Number	Overall Width (A)	Chassis Width (B)*	Overall Height (C)	Chassis Height (D)
EORX227/ MORX227	26 7/8" (68.3 cm)	25 3/8" (64.5 cm)	49 15/16" (127.0 cm)	47 15/16" (121.8 cm)
EORX230/ MORX230	29 7/8" (75.9 cm)	28 3/8" (72.1 cm)		

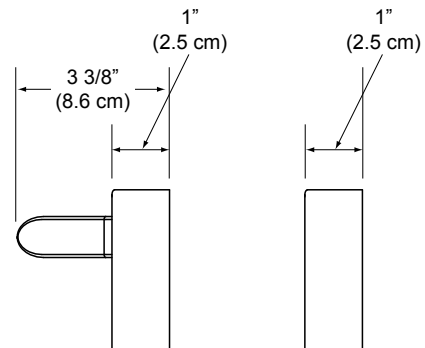
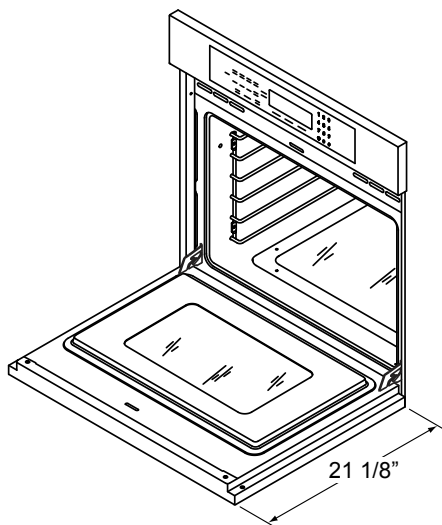
X = Number of convection ovens

* Width at light covers on sides

Model Number	Dedicated Circuit Requirements*	Total Connected Load
EORS227	240 Vac 60 Hz, 50 Amp.	10.0 kW (41.7 Amp.)
EORD227		
MORS227		
MORD227		
EORS230		
EORD230		
MOCS230		
MOCD230		

* The above specifications are for reference only. See the appliance data plate for exact specifications.

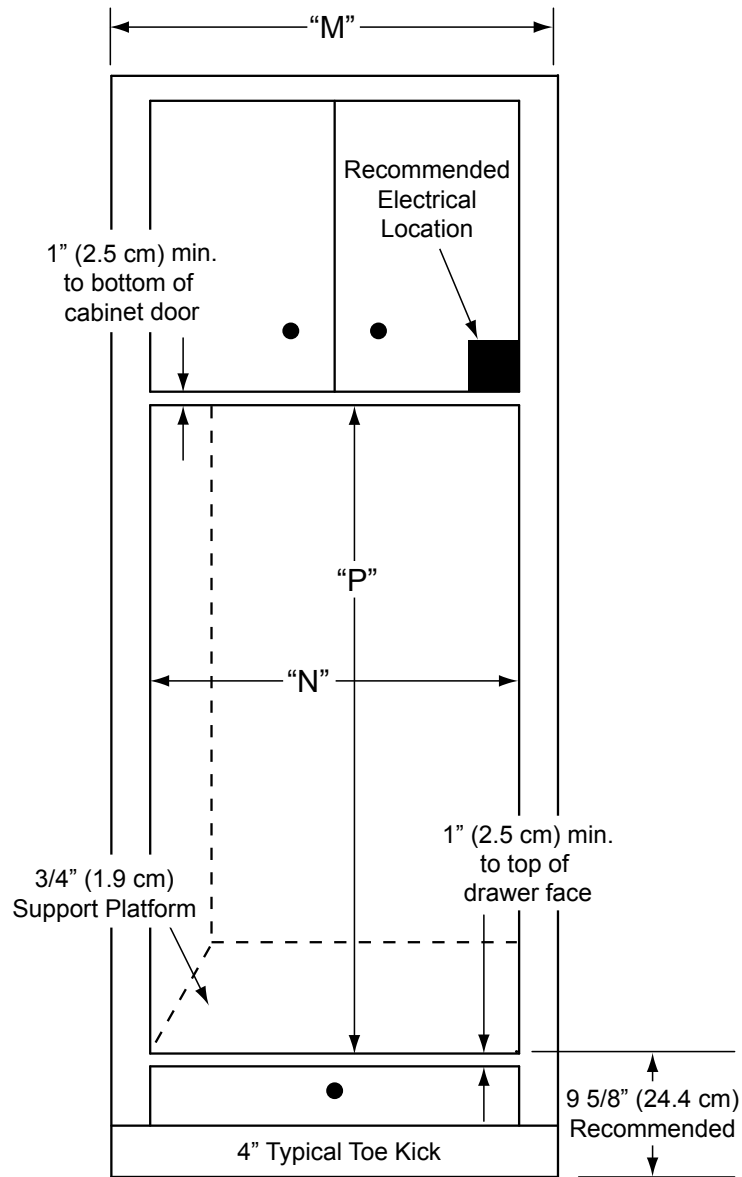
	Utility Cutout Width (E)	Utility Cutout Height (F)	Utility Cutout Depth (G)	Control Panel Depth (H)	Notch Depth (J)	Chassis Depth (K)	Notch Height (L)
All Models	5" (12.7 cm)	5 1/4" (13.3 cm)	6" (15.2 cm)	1" (2.54 cm)	1 1/8" (2.9 cm)	24" (61.0 cm)	1 1/8" (2.9 cm)



EPICURE

MILLENNIA -
HANDLE IS INTEGRAL

EOR, MOR



Double Wall Oven - Cut Out Dimensions

Model Number	Minimum Cabinet Width (M)	Minimum Cut Out Width (N)	Minimum Cut out Height (P)
EORX227/ MORX227	27" (68.6 cm)	25 1/2" (64.8 cm)	49 1/16" (124.6 cm)
EORX230/ MORX230	30" (76.2 cm)	28 1/2" (72.4 cm)	

X = Number of convection ovens