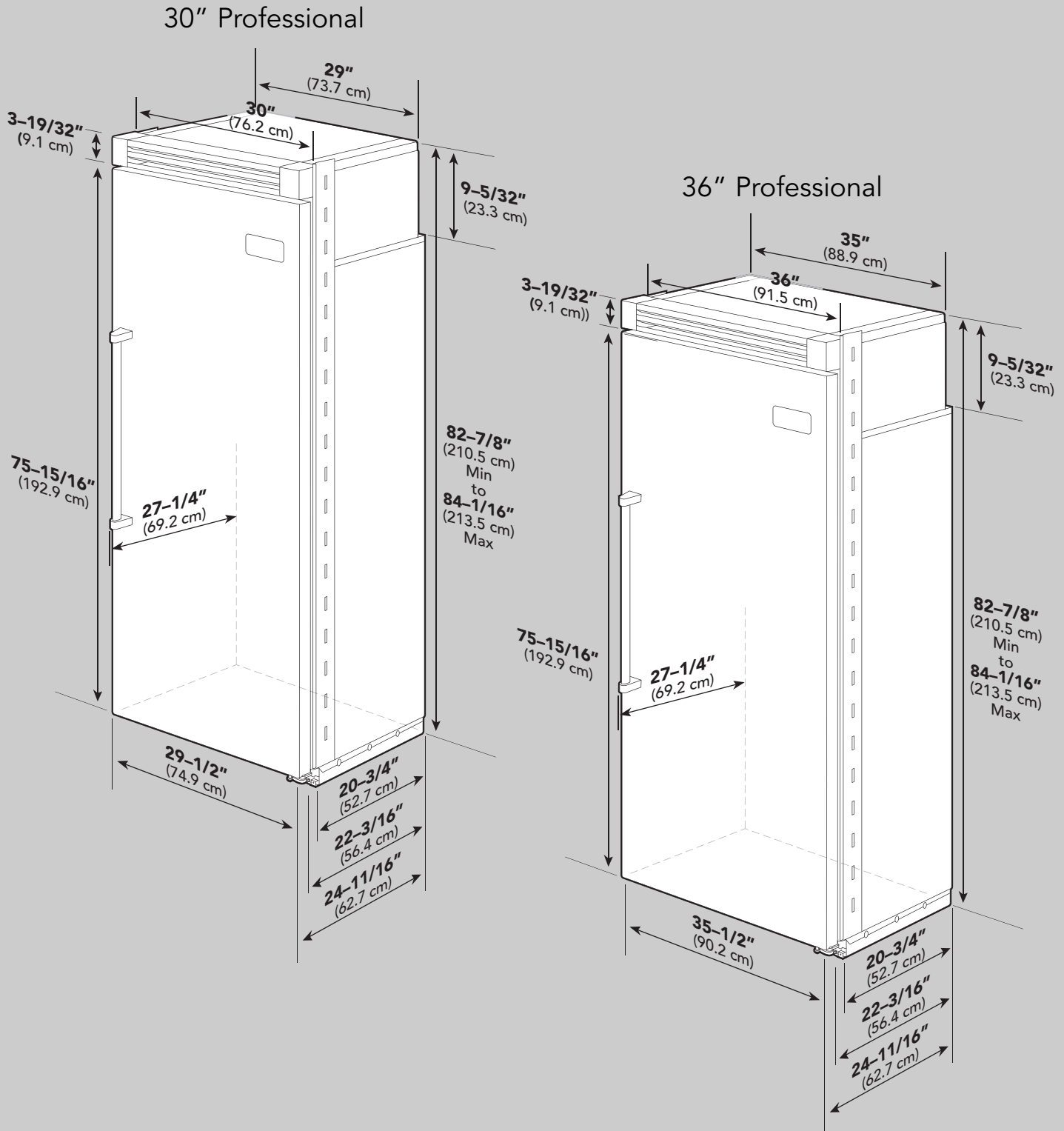


# Dimensions (Professional All Refrigerator/Freezer)

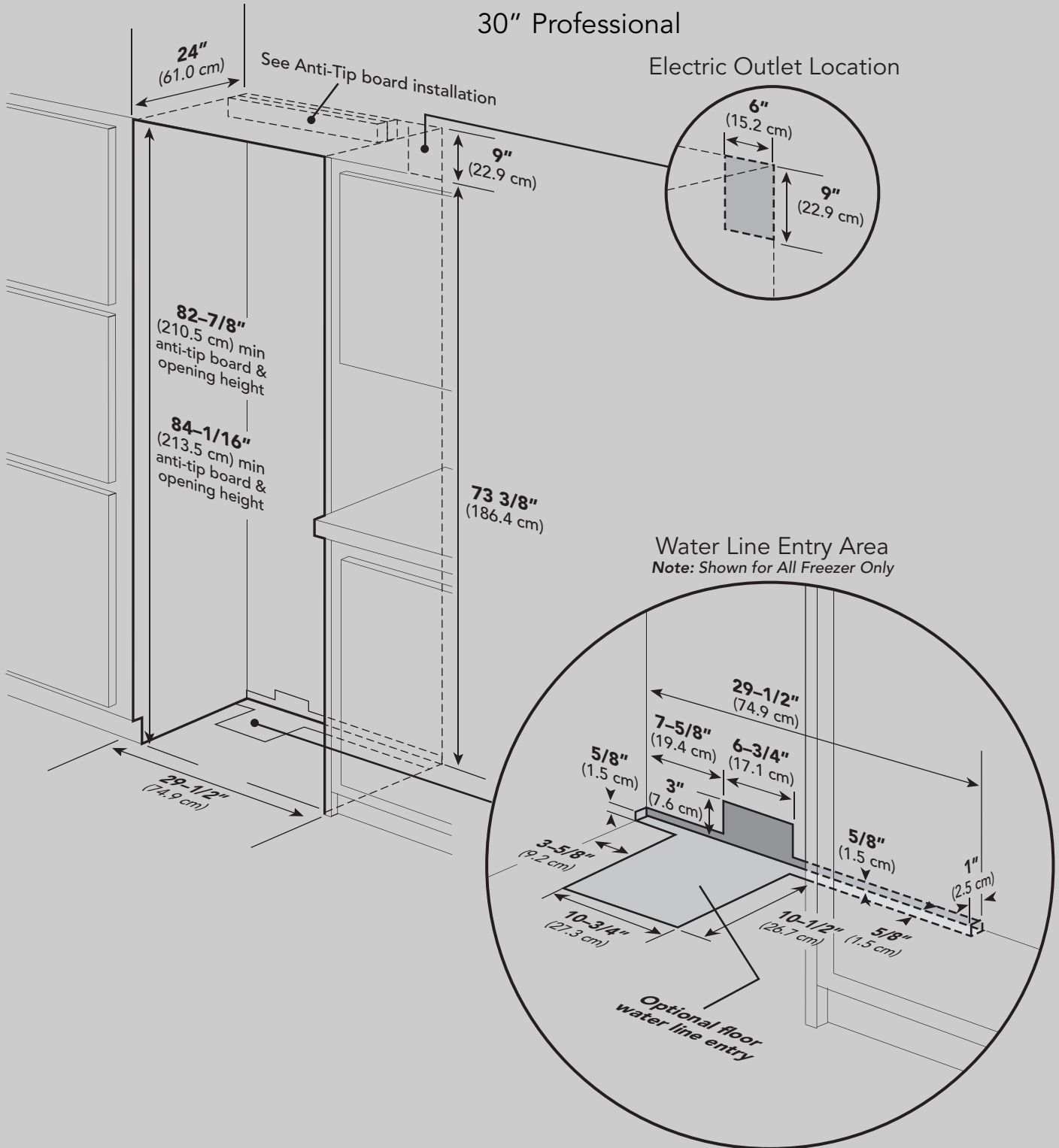


# Specifications (Professional All Refrigerator/Freezer)

<b>30" All Refrigerator/Freezer</b>		
<b>Description</b>	<b>VCFB304</b>	<b>VCRB304</b>
Overall Width	30" (76.2 cm)	
Overall Height from Bottom	Min. 82 3/4" (210.2 cm) to Max. 84 1/16" (213.5 cm)	
Overall Depth from Rear	To front edge of side trim: 22 3/16" (56.4 cm) To front of top grille: 24 11/16" (62.7 cm) To front of handle endcap: 27 1/4" (69.2 cm))	
Cutout Width	29 1/2" (74.9 cm)	
Cutout Height	Min. 82 7/8" (210.5 cm) to Max. 84 1/16" (213.5 cm)	
Cutout Depth	Min. 24" (61.0 cm)	
Electrical Requirements	115 volt, 60 Hz, 15 amp dedicated circuit; 3-wire cord with grounded 3-prong plug attached to product	
Maximum Amp Usage	9.1 amps	5.7 amps
Inlet Water Requirements	1/4" copper tubing inlet waterline; minimum 20 psi; maximum 120 psi	N/A
Overall Interior Dimensions Total Capacity	15.9 cu. ft. (450 liters)	18.2 cu. ft. (516 liters)
Approximate Shipping Weight	530 lbs. (238.5 kg)	505 lbs. (227.3 kg)

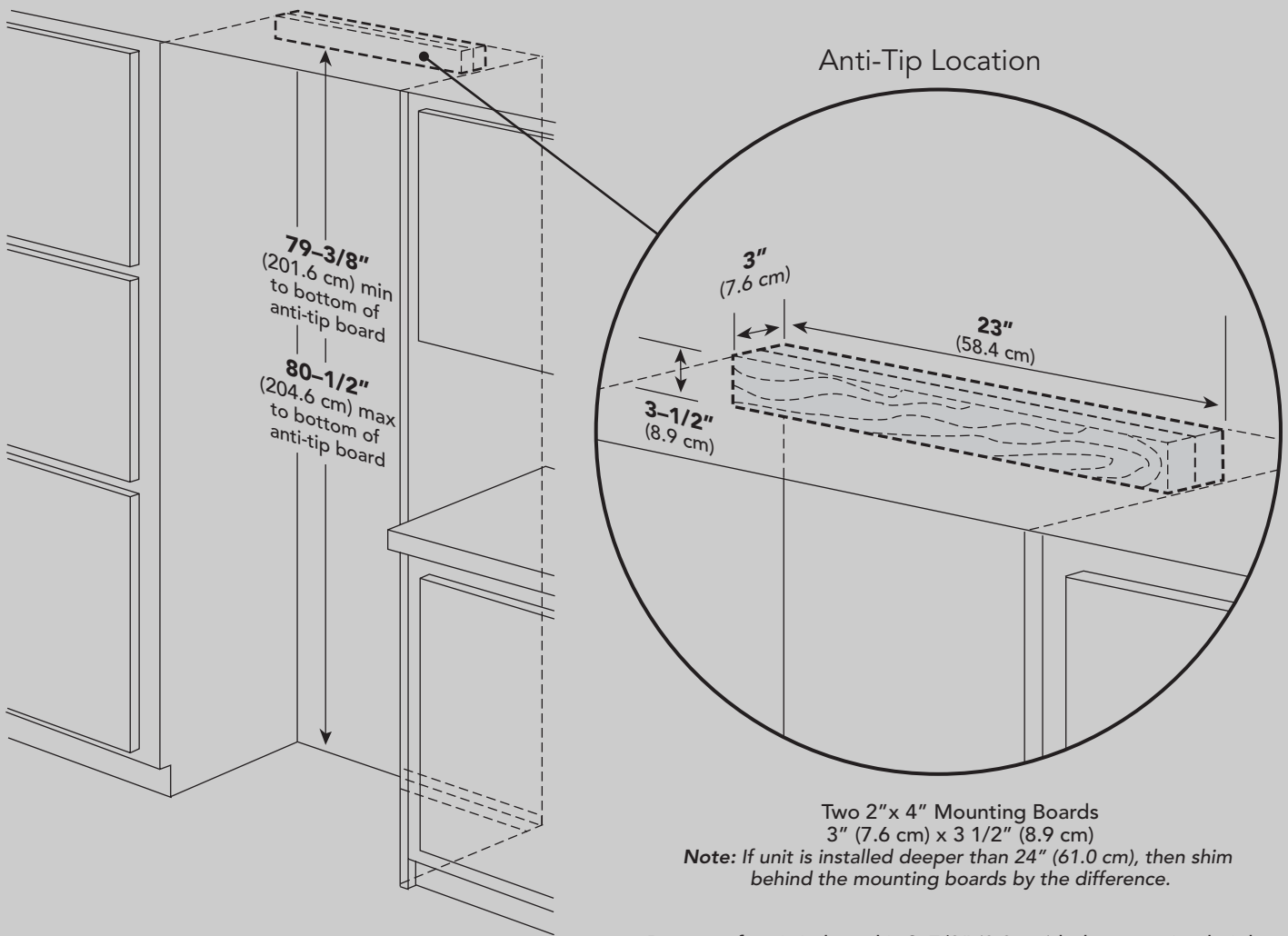
<b>36" All Refrigerator/Freezer</b>		
<b>Description</b>	<b>VCFB364</b>	<b>VCRB364</b>
Overall Width	36" (91.5 cm)	
Overall Height from Bottom	Min. 82 3/4" (210.2 cm) to Max. 84 1/16" (213.5 cm)	
Overall Depth from Rear	To front edge of side trim: 22 3/16" (56.4 cm) To front of top grille: 24 11/16" (62.7 cm) To front of handle endcap: 27 1/4" (69.2 cm)	
Cutout Width	35 1/2" (90.2 cm)	
Cutout Height	Min. 82 7/8" (210.5 cm) to Max. 84 1/16" (213.5 cm)	
Cutout Depth	Min. 24" (61.0 cm)	
Electrical Requirements	115 volt, 60 Hz, 15 amp dedicated circuit; 3-wire cord with grounded 3-prong plug attached to product	
Maximum Amp Usage	9.5 amps	6.5 amps
Inlet Water Requirements	1/4" copper tubing inlet waterline; minimum 20 psi; maximum 120 psi	N/A
Overall Interior Dimensions Total Capacity	19.1 cu. ft. (541 liters)	22.8 cu. ft. (646 liters)
Approximate Shipping Weight	585 lbs. (263.3 kg)	570 lbs. (256.5 kg)

# Cutout Dimensions (Professional All Refrigerator/Freezer)



# Anti-Tip Dimensions (Professional All Refrigerator/Freezer)

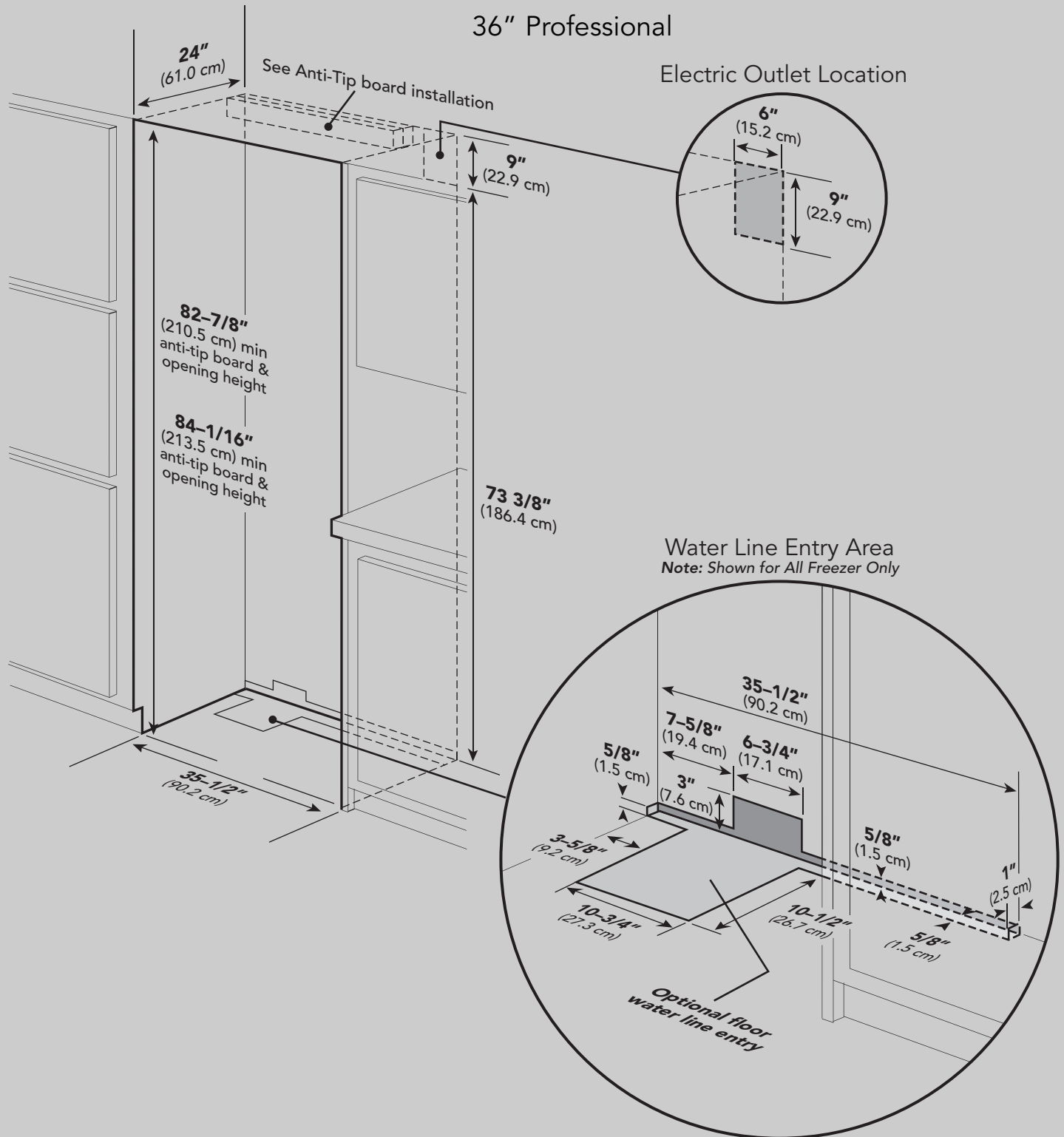
30" Professional



*Note: If unit is installed deeper than 24" (61.0 cm), then shim behind the mounting boards by the difference.*

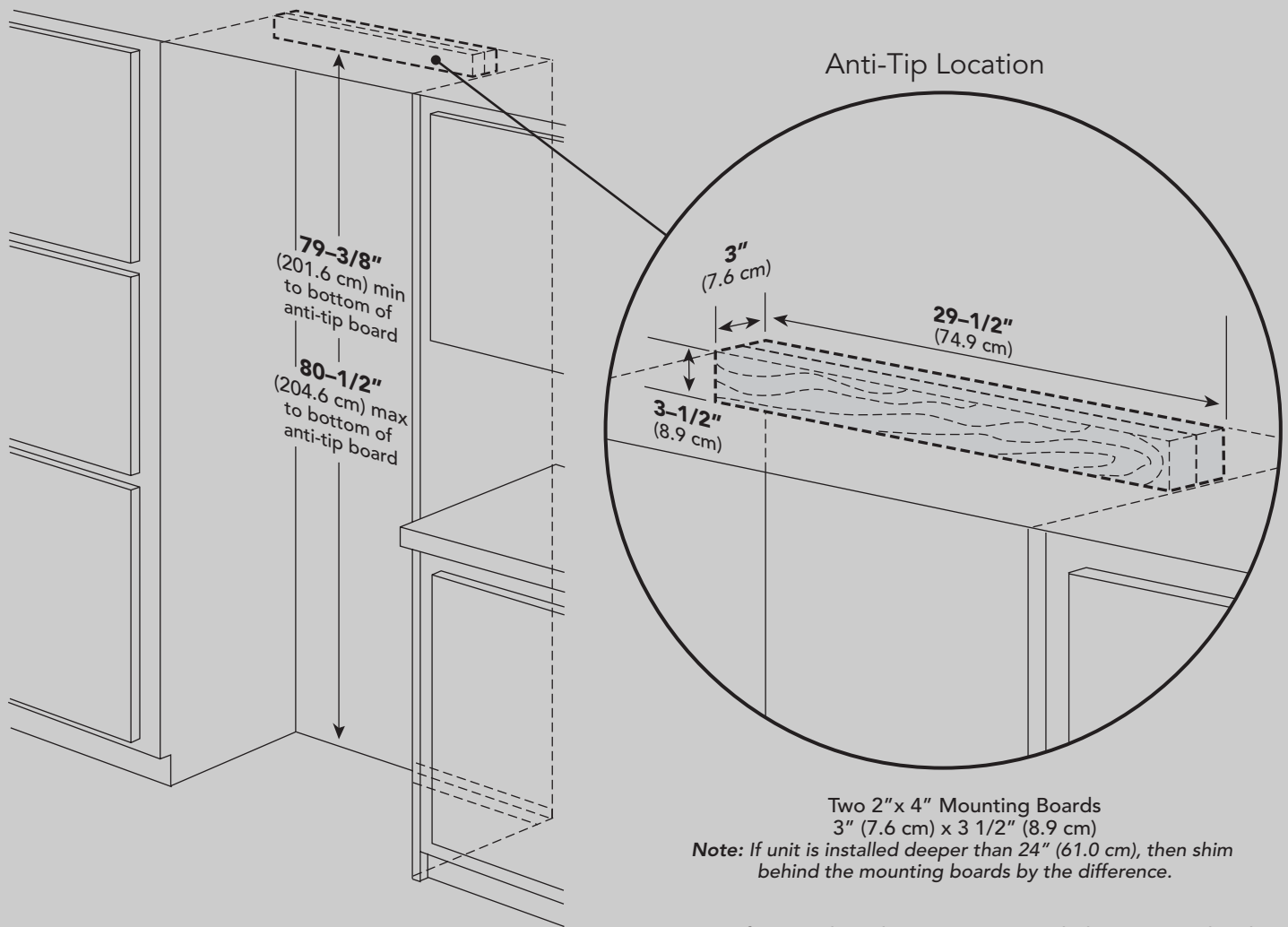
Bottom of anti-tip board is 3-7/8" (9.8 cm) below opening height.  
*Note: Top of unit must be placed firmly under anti-tip board.*

# Cutout Dimensions (Professional All Refrigerator/Freezer)



# Anti-Tip Dimensions (Professional All Refrigerator/Freezer)

36" Professional



Bottom of anti-tip board is 3-7/8" (9.8 cm) below opening height.  
**Note:** Top of unit must be placed firmly under anti-tip board.