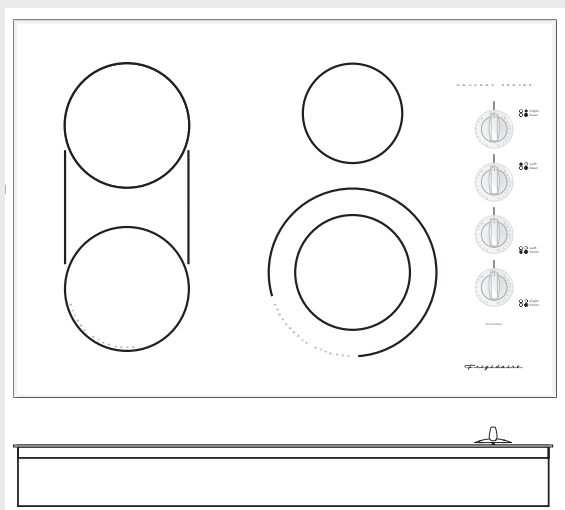


Frigidaire

Factory Parts Catalog



Product No.	GLEC30S8EBA	GLEC30S8EQA	GLEC30S8ESA
	3805622355061	3805624355041	3805623355011
Series	30" elec	30" elec	30" elec
Color	black	bisque	white
Market	North America	North America	North America
Wiring Diagram	318046807	318046807	318046807
Owner's Guide	318200612	318200612	318200612
Installation Instructions	318201426	318201426	318201426

Electrolux

Electrolux Major Appliances
North & Latin America
P.O. BOX 212378
AUGUSTA, GA 30917

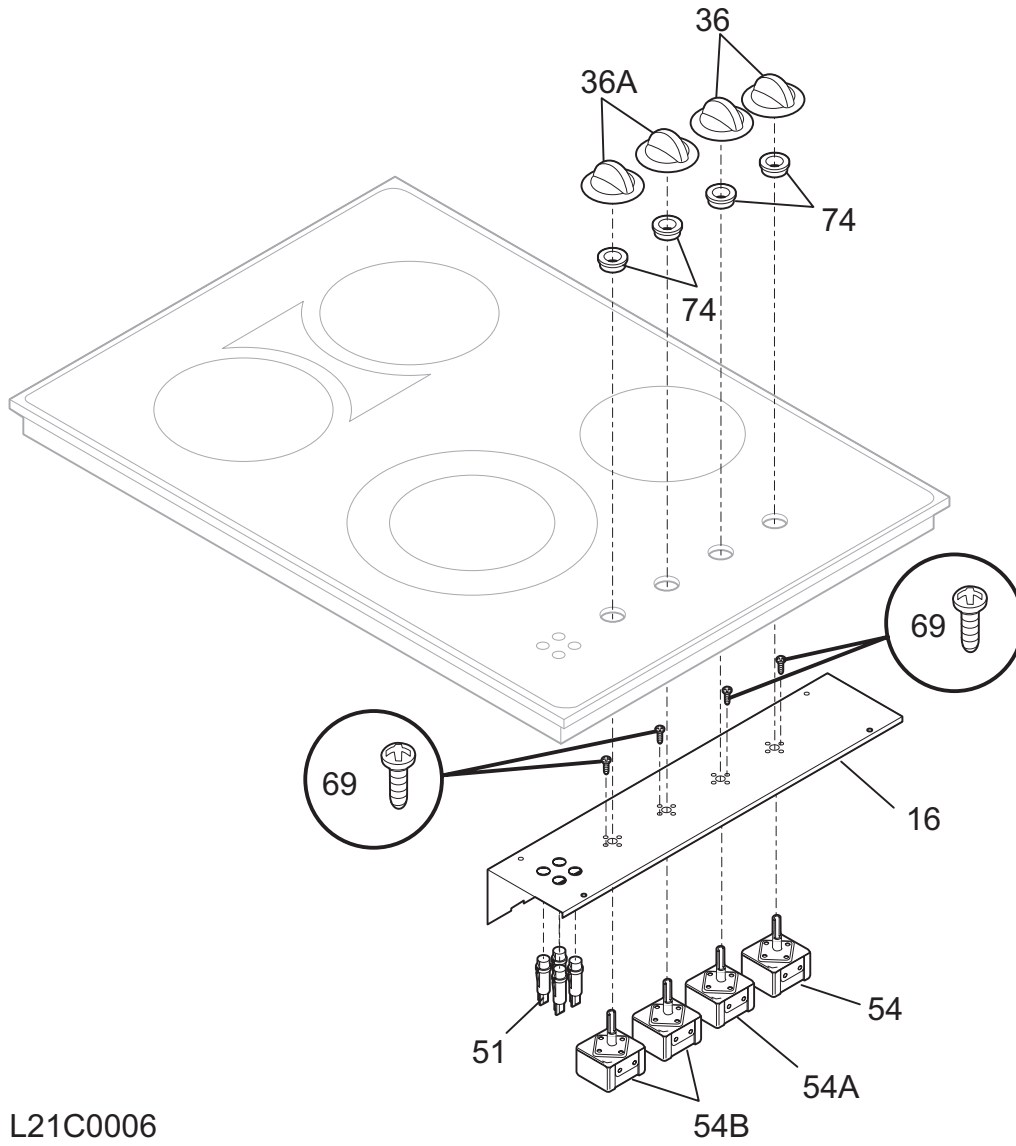
Publication No.
5995449740
05/09/30
(EN/SERVICE/ECL)
377

ELECTRIC COOK-TOP RANGE

Model No.
GLEC30S8E

Copyright © 2005 Electrolux Home Products, Inc.
All rights reserved.

CONTROL PANEL



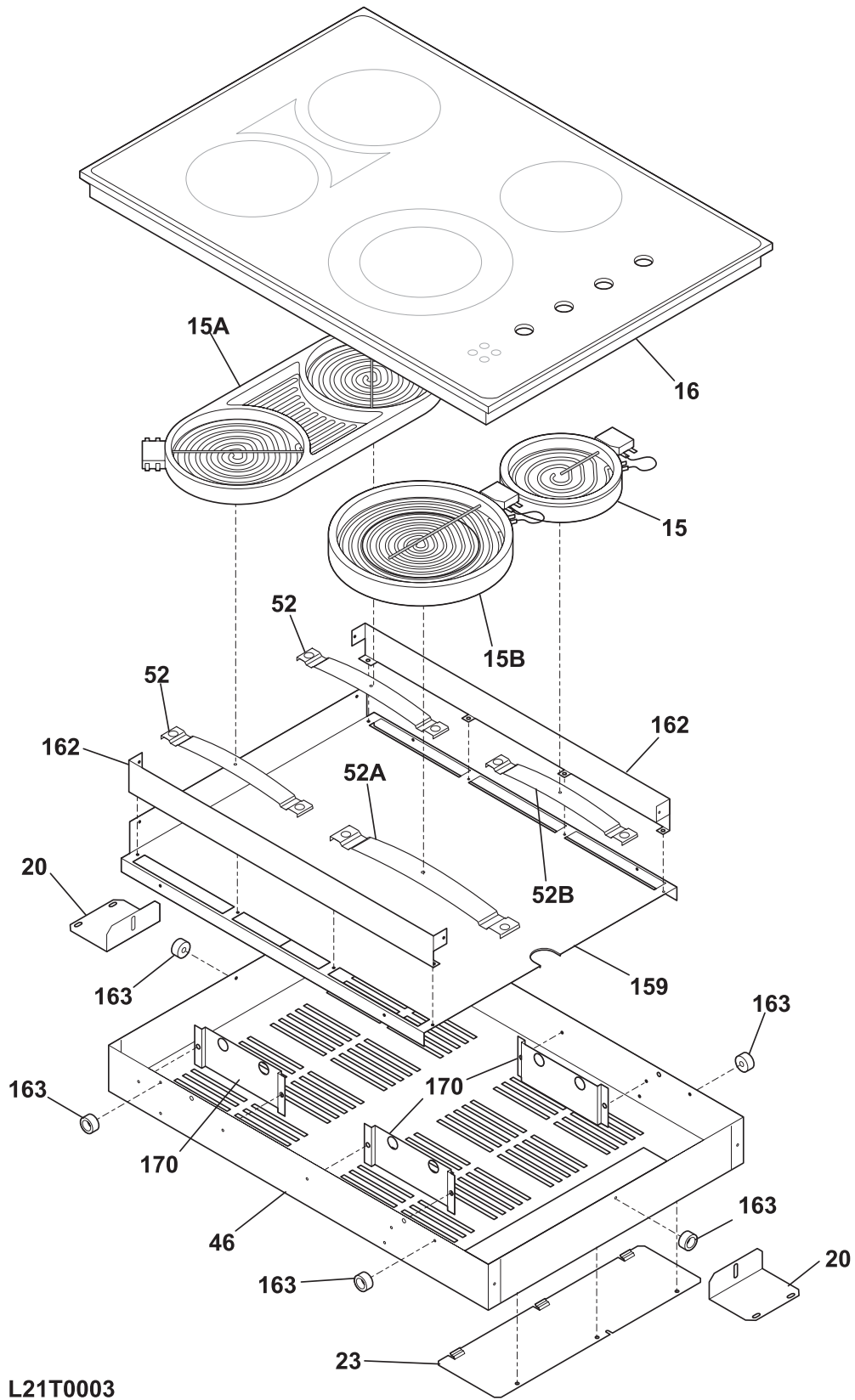
L21C0006

CONTROL PANEL

Model Index: A GLEC30S8E (GLEC30S8ESA)
 B GLEC30S8E (GLEC30S8EBA)
 C GLEC30S8E (GLEC30S8EQA)

POS. NO	PART NO.		DESCRIPTION
16	318096327	A B C	Box, instrument mtg
36	318196633	A - -	Knob, control, white
36	318196634	- B -	Knob, control, black
36	318196635	- - C	Knob, control, bisque
36A	318196630	A - -	Knob, dual control, white
36A	318196631	- B -	Knob, dual control, black
36A	318196632	- - C	Knob, dual control, bisque
51 #	318044820	A - C	Light, indicator, red
51 #	318044822	- B -	Light, indicator, clear
54 #	318220071	A B C	Switch, surface unit, small
54A#	318220073	A B C	Switch, surface unit, large
54B#	318191000	A B C	Switch, infinite, dual
69	5303323134	A B C	Screw, 8-32 x 0.188
74	318148900	A B C	Bushing, switch
*	5303323140	A B C	Screw, ground, 10-32 x 0.375

MAIN TOP/SURFACE UNITS



MAIN TOP/SURFACE UNITS

Model Index: A GLEC30S8E (GLEC30S8ESA)
 B GLEC30S8E (GLEC30S8EBA)
 C GLEC30S8E (GLEC30S8EQA)

POS. NO	PART NO.		DESCRIPTION
15 #	318198817	A B C	Element, surface, 6", 1200 W, (2)
15A#	318258201	A B C	Element, bridge, 1800/2600
15B#	318198925	A B C	Element, surface, 6/9, 1200/2500W, dual radiant
16	318282511	A - -	Main Top Assy, glass/steel, white
16	318282513	- B -	Main Top Assy, glass/steel, black
16	318282512	- - C	Main Top Assy, glass/steel, bisque
20	318121902	A B C	Bracket, retainer
23	318194703	A B C	Panel, service, black
46	318077232	A B C	Burner Box
52	318122008	A B C	Spring, element mtg
52A	318122010	A B C	Spring, element mtg, 1000W/2500W
52B	318122006	A B C	Spring, element mtg, small
159	318125113	A B C	Deflector
162	318161401	A B C	Deflector
163	318014110	A B C	Spacer, (6)
170	318124911	A B C	Screen, thermal
* #	318078529	A B C	Box & wires assy
*	318199417	A B C	Harness, wiring, main
*	5303323140	A B C	Screw, ground, 10-32 x 0.375
*	5303323129	A B C	Screw, 8 X 0.750

WIRING DIAGRAM

MODEL WITH BRIDGE ELEMENT / MODELO Y ELEMENTO RADIANTE
SUPERIOR DE PUENTE / MODELE AVEC ELEMENT PONT

MODEL WITH DOUBLE ELEMENT / MODELO Y ELEMENTO DE DOBLE
MODELE AVEC ELEMENT DOUBLE

MODEL WITH REGULAR ELEMENT / MODELO Y ELEMENTO REGULARE
MODELE AVEC ELEMENT REGULIER

MODEL WITH WARMING ELEMENT / MODELO Y ELEMENTO DE CALENTADOR /
MODELE AVEC ELEMENT RECHAUD

CODE/CODIGO/ CODE	GAUGE/MEDIDA/ CALIBRE	TEMP. °C	STYLE/ESTILO/ ESTILO	UL
1	18	125	CL 1251	3173
2	16	125	CL 1251	3173
4	14	125	CL 1251	3173
4	12	125	CL 1251	3173
5	18	150	EXL-150	3321
6	16	150	EXL-150	3321
7	14	150	EXL-150	3321
8	12	150	EXL-150	3321
9	10	150	EXL-150	3321
10	18	200	SEW-1	3122
11	16	200	SEW-1	3122
*12	18	250		3252
*13	16	250		3252
14	20	150	EXL-150	3321
15	8	150	EXL-150	3321
16	8	60		
17	10	60		

* NOTE USED FOR CANADIANS
 * NOTE UTILISE POUR MODELES CANADIENS.

* LIMITER/LIMITADOR/LIMITEUR
 CERAMASPEED/E1KA

* LIMITER/LIMITADOR/LIMITEUR
 E.G.O./A.K.O.

LEGEND/LEYENDA/LEGENDE

SW. - SWITCH
 INTERRUPTOR
 INTERRUPTEUR

P.L. - PILOT LIGHT
 LAMPARA PILOTO
 LAMPE TEMOIN

R.F. - RIGHT FRONT
 FRENTE DERECHO
 AVANT DROIT

R.R. - RIGHT REAR
 TRASERO DERECHO
 ARRIERE DROIT

L.F. - LEFT FRONT
 FRENTE IZQUIERDO
 AVANT GAUCHE

L.R. - LEFT REAR
 TRASERO IZQUIERDO
 ARRIERE GAUCHE

R.C. - REAR CENTER
 TRASERO CENTRO
 ARRIERE CENTRE

L.C. - LEFT CENTER
 CENTRO DE IZQUIERDO
 CENTRE GAUCHE

H.S. - HOT SURFACE
 SUPERFICIE CALIENTE
 SURFACE CHAUDE

**COLOR CODE/CODIGOS/
 CODE COULEUR**

BL. - BLUE/AZUL/BLEU
 R. - RED/ROJO/ROUGE
 Y. - YELLOW/AMARILLO/JAUNE
 BK. - BLACK/NEGRO/NOIR
 W. - WHITE/BLANCO/BLANC
 O. - ORANGE/NARANJA/ORANGE
 BR. - BROWN/MORENO/BRUN

LEGENDE/LEYENDA/LEGENDE 2

Y-11(13) ON/EN/SUR L.R. POSITION/POSICION/POSITION
 W-11(13) ON/EN/SUR R.R. POSITION/POSICION/POSITION
 BR-11(13) ON/EN/SUR R.F. POSITION/POSICION/POSITION
 O-11(13) ON/EN/SUR L.F. POSITION/POSICION/POSITION

REMARK: FOR CONNECTING THE PLATFORM SEE INSTALLATION SHEET OR USE AND CARE GUIDE
 NOTA: PARA CONECTAR LA PARRILLA DE COCINAR, VER LA HOJA DE INSTALACION O EL MANUAL DEL USUARIO.
 REMARQUE: POUR BRANCHER LA TABLE DE CUISSON VOIR LE FEUILLET D'INSTALLATION OU LE MANUEL D'UTILISATION ET D'ENTRETIEN.

LEGENDE/LEYENDA/LEGENDE 3

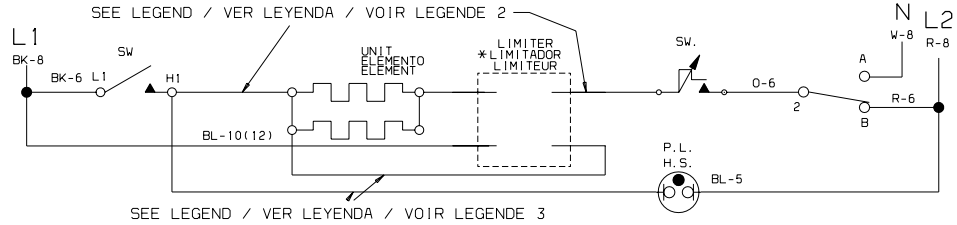
MODEL WITH 4 PILOT LIGHT/MODELO Y 4 LAMPARA
 PILOTO / MODELE AVEC 4 LAMPES TEMOINS
 BR-10(12) ON/EN/SUR L.F. POSITION/POSICION/POSITION
 BL-10(12) ON/EN/SUR R.R. POSITION/POSICION/POSITION
 GY-10(12) ON/EN/SUR R.F. POSITION/POSICION/POSITION
 W-10(12) ON/EN/SUR L.R. POSITION/POSICION/POSITION

MODEL WITH 1 PILOT LIGHT/MODELO Y 1 LAMPARA
 PILOTO/MODELE AVEC 1 LAMPE TEMOIN
 J-10(12) ON ALL/TOUTES POSITIONS

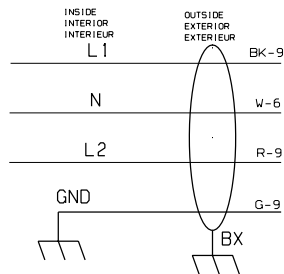
CAUTION: DISCONNECT POWER BEFORE SERVICING UNIT.
ATENCION: DESCONECTE LA ENERGIA ANTES DE REALIZAR EL MANTENIMIENTO DEL ELECTRODOMESTICO.
ATTENTION: COUPER LE COURANT AVANT D'EFFECTUER LA REPARATION

WIRING DIAGRAM

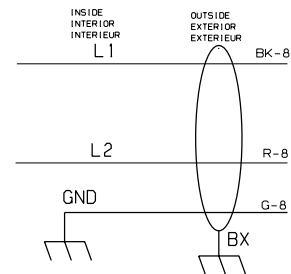
MODEL WITH REGULAR ELEMENT AND SELECTOR / MODELO Y ELEMENTO Y SELECTOR /
MODELE AVEC ELEMENT REGULIER ET SELECTEUR



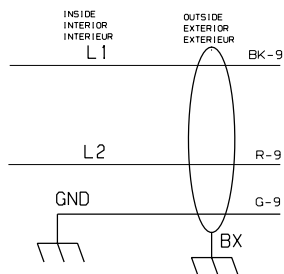
MODEL WITH WARMER ZONE / MODELO CON ZONA DE CALENTADOR /
MODELE AVEC ZONE RECHAUD



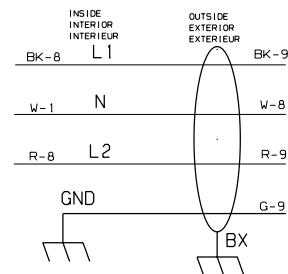
MODEL WITH 4 REGULAR UNITS / MODELO Y CUATRO ELEMENTOS
REGULARES / MODELE AVEC ELEMENT REGULIER



MODEL WITH OTHERS / OTROS MODELOS / AUTRE MODELES



MODEL WITH SIMMER SELECT / LOS MODELOS CON SELECTOR DE HIRVE A
FUEGO LENTO / MODELE AVEC SELECTEUR MIJOTANT



CAUTION: DISCONNECT POWER BEFORE SERVICING UNIT.
ATENCION: DESCONNECTE LA ENERGIA ANTES DE REALIZAR EL MANTENIMIENTO DEL ELECTRODOMESTICO.
ATTENTION: COUPER LE COURANT AVANT D'EFFECTUER LA REPARATION

318046807 REV. C
 P. 2