

Frigidaire

Factory Parts Catalog

Product No.	PLGFZ397GCA
Series	30" f/s gas
Color	stainless
Market	North America
Owner's Guide	316417133
Installation Instructions	316259336
Service Data Sheet	316441740

 **Electrolux**

Electrolux Major Appliances
North & Latin America
P.O. BOX 212378
AUGUSTA, GA 30917

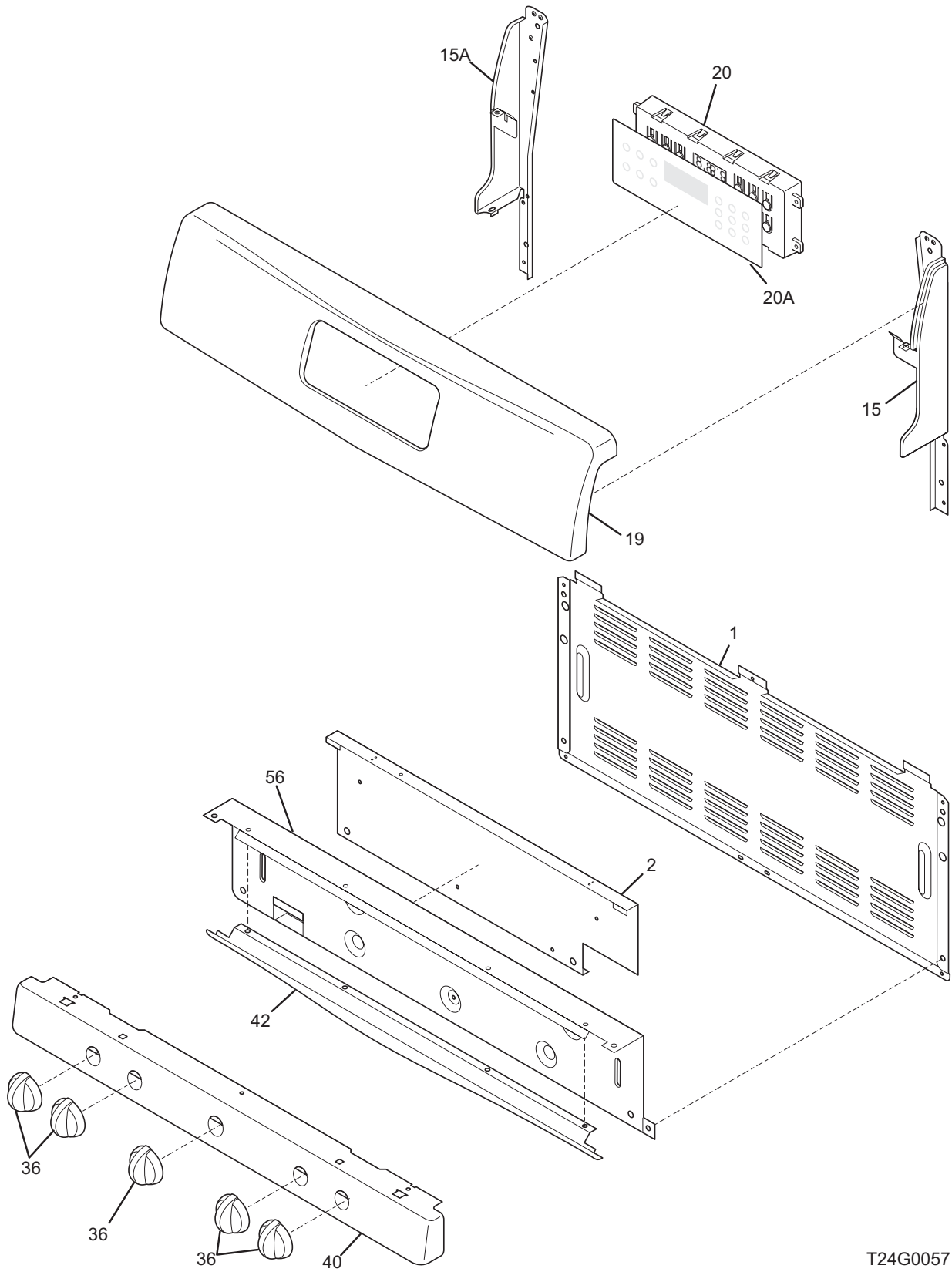
Publication No.
5995496501
07/08/03
(EN/SERVICE/BJH)
369

**30-INCH FREE-
STANDING GAS
RANGE**

Model No.
PLGFZ397G

Copyright © 2007 Electrolux Home Products, Inc.
All rights reserved.

BACKGUARD

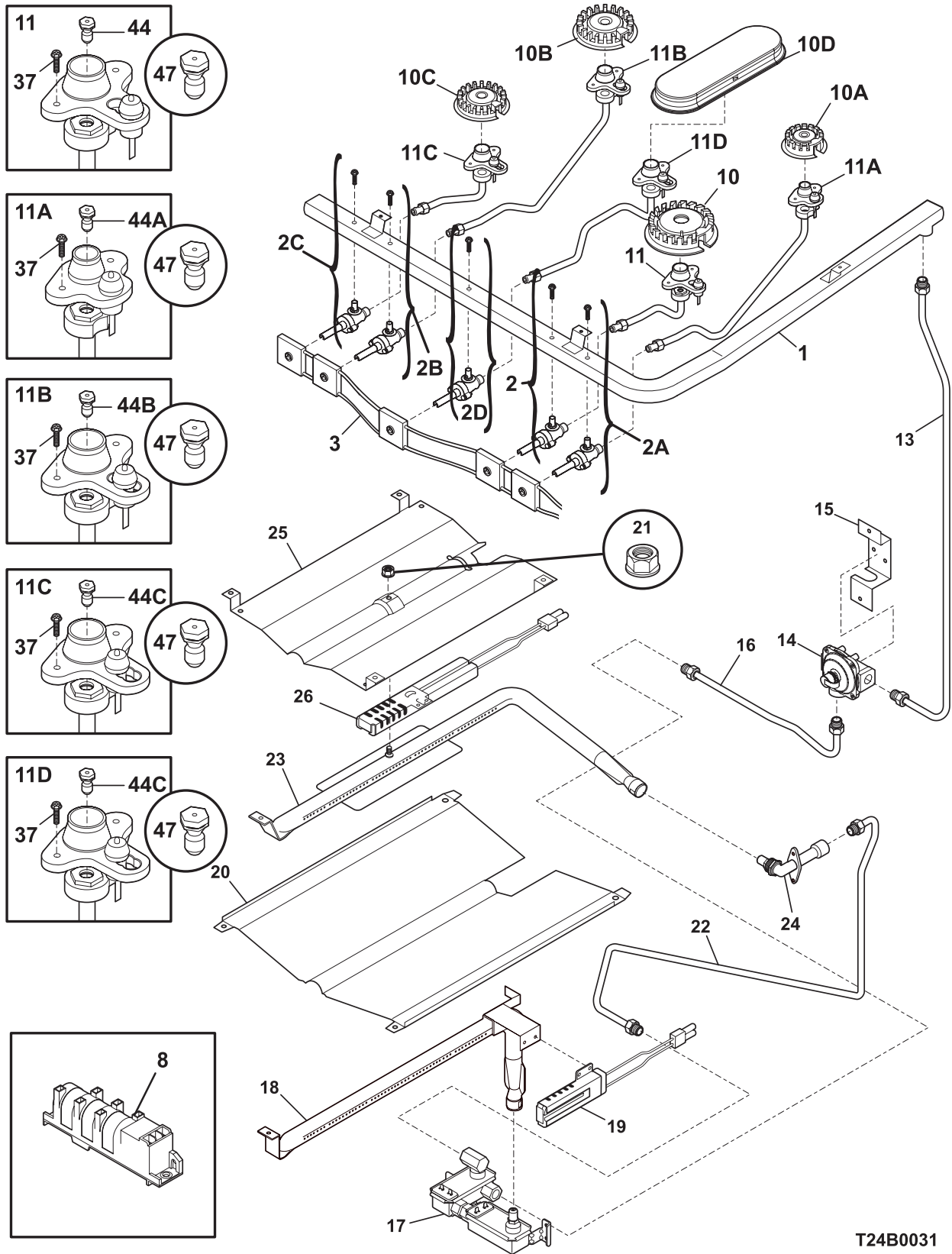


T24G0057

BACKGUARD

POS. NO	PART NO.	DESCRIPTION
1	316416100	Shield, backguard, rear wall
2	316497600	Shield, backguard, inner
13A	316095502	Switch, infinite, warmer
14	316022500	Light/Lamp, indicator, 125 V
15	316411405	Support, backguard, black, RH
15A	316411404	Support, backguard, black, LH
19	316424129	Panel, control, stainless
20 #	316418701	Clock/Timer, electronic, ES510
20A	316419700	Overlay, clock, black, w/mini oven, ES510
31	316223002	Knob, control, black
36	316220002	Knob, top valve, black, 4
40	316249029	Panel, manifold, stainless steel
42	316416200	Trim, extrusion, black
46	316437800	Lens-light/lamp, indicator, clear
56	316230701	Shield, backguard, inner
69	5303288565	Screw, truss sqdr, 8-32 x 3/16, switch mtg
*	316021105	Screw, hex head cup pt, 8-18 x 0.375, black
*	316021108	Screw, cup pt, 8-18 x 0.375, chrome
*	316021109	Screw, 8-18 x 0.5, chrome
*	316021110	Screw, 8-18 x 0.5, black

BURNER

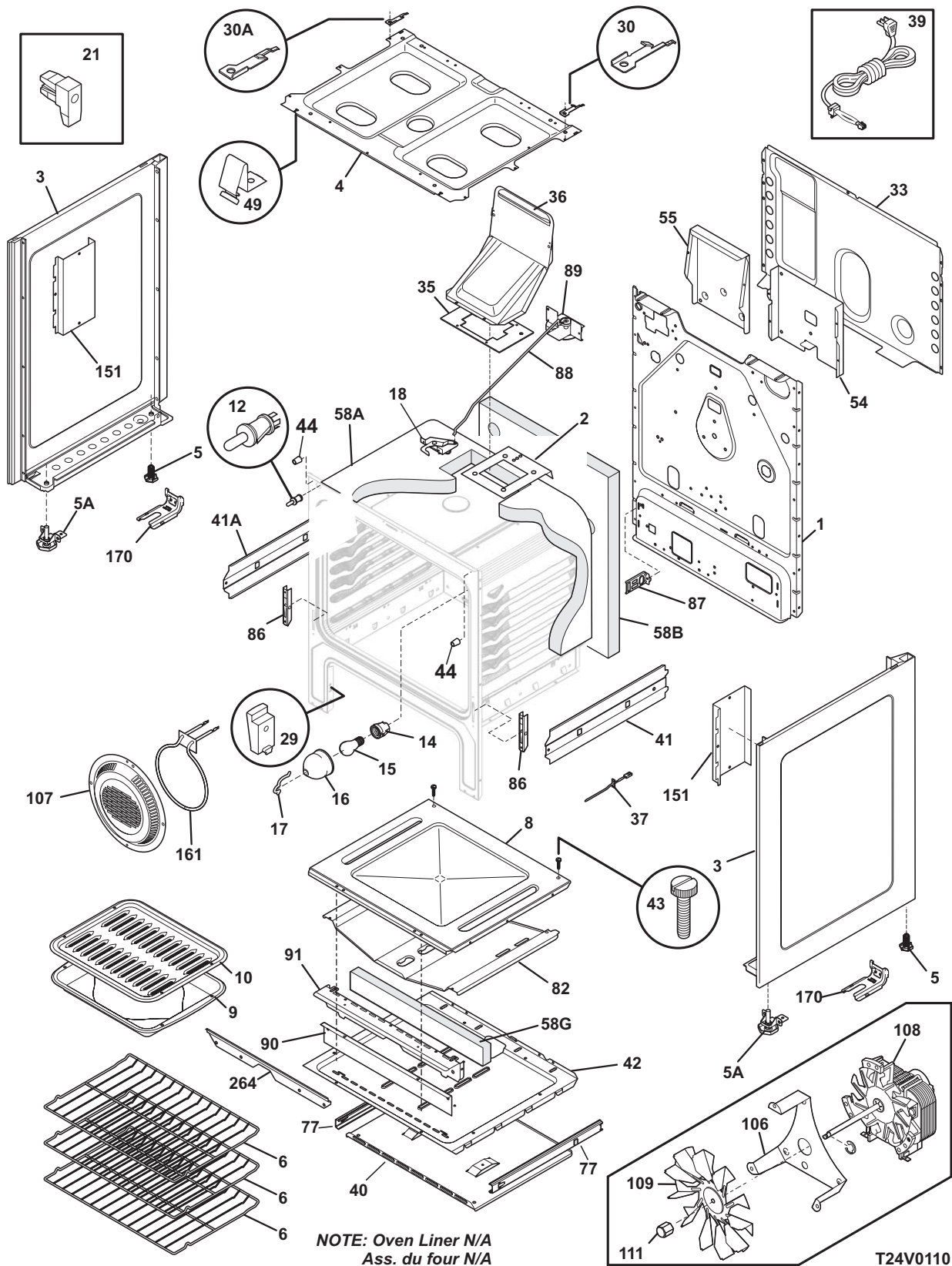


T24B0031

BURNER

POS. NO	PART NO.	DESCRIPTION
1 #	316219501	Pipe, manifold
2 #	5303935233	Valve, 17K burner, w/mtg screw
2A #	5303935235	Valve, 5K burner, w/mtg screw
2B #	5303935232	Valve, 12K burner, w/mtg screw
2C #	5303935234	Valve, 9.5K burner, w/mtg screw
2D #	5303935259	Valve, 9.5K burner, center, w/mtg screw
*	316215600	Screw, valve mtg., 1/4 - 20
3 #	316219006	Wiring Harness, w/igntr switch
8	318079001	Module, spark
10 #	316223300	Burner, sealed, 16/17K
10A#	316206400	Burner, sealed, 5K
10B#	316212300	Burner, sealed, 12K
10C#	316212400	Burner, sealed, 9.5K
10D#	316532000	Burner, sealed, oval, 9.5K
11 #	316430500	Ignitor/orifice assy., top burner, right front, 16K, w/holder, tube
11A#	316430800	Ignitor/orifice assy., top burner, right rear, 5K, w/holder, tube
11B#	316430401	Ignitor/orifice assy., top burner, left rear, 12K, w/holder, tube
11C#	316237800	Ignitor/orifice assy., top burner, front
11D#	316532600	Ignitor/orifice assy., top burner, center, 9.5K, w/holder-tube
13 #	316405300	Tube, 3/8, aluminum, rgltr to manf, with fittings
14 #	316091706	Regulator, pressure
14*	316021104	Screw, hex, 8-18 x 3/8, nick, (3), regulator brkt
15	316091600	Bracket, regulator
16 #	316405500	Tube, valve to regul., 3/8
17 #	316404901	Valve, safety
18 #	316404400	Burner, oven
19 #	316489400	Ignitor, oven burner
20	316401401	Baffle, oven burner
21	5303013272	Nut, hex head sems
22 #	316405401	Tube, valve to mixer
23 #	316404300	Burner, broiler
24 #	316409700	Elbow, mixer
25	316401301	Baffle, broil burner
26 #	316489401	Ignitor, burner
26*	316401500	Cover, broil Ignitor
37	316240600	Screw, assy mtg, ignitor/orifice
44	316237912	Orifice, top burner, 16K
44A	316237903	Orifice, top burner, 5K
44B	316237901	Orifice, top burner, 12K
44C	316237902	Orifice, top burner, 9.5K
47	GRLP2	LP Conversion Kit, w/instructions
47*	316248105	Instructions, LP kit
* #	316253702	Wiring Harness, ignitor module
* #	316064103	Wire, ground assembly
*	316001003	Screw, ground wire
*	5303271648	Screw, wafer hd sq dr, 8-18AB x 0.5

BODY



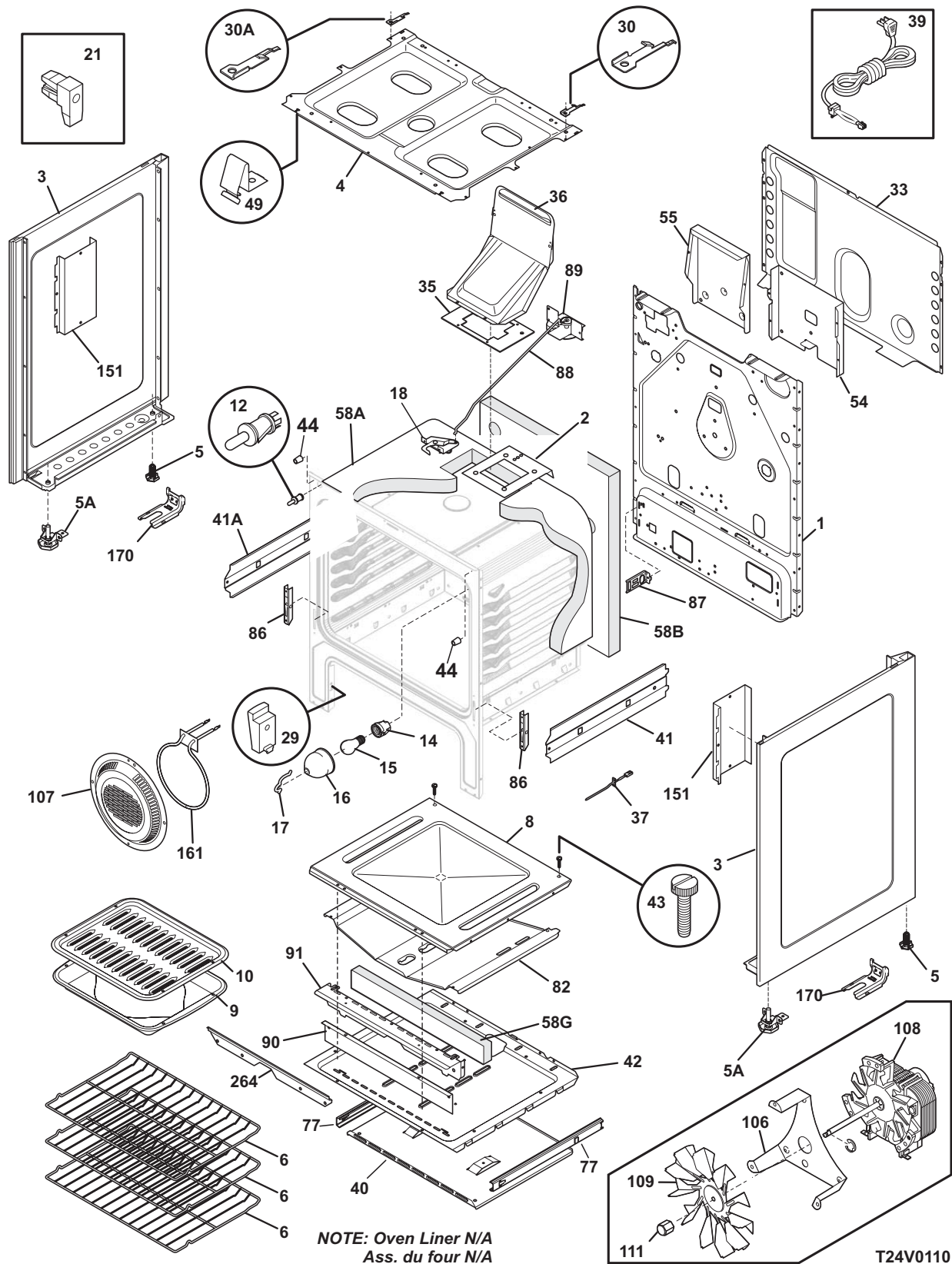
NOTE: Oven Liner N/A
Ass. du four N/A

T24V0110

BODY

POS. NO	PART NO.	DESCRIPTION
1	316401600	Back, main
2	316437100	Brace, oven top
3	316400118	Panel, bodyside, black, RH
3	316400119	Panel, bodyside, black, LH
4	316201403	Burner Box
5	316272900	Screw, leveling, plastic, rear, (2)
5A	316498900	Leveling Leg Assy, metal, front, (2), bracket & leg
6	316496207	Rack, oven, (3)
8	316400603	Panel, oven bottomOPTIONAL ACCESSORY
9	316081900	Pan, broiler
10	316082000	Insert, broiler panOPTIONAL ACCESSORY
12	316445500	Switch, oven light, door frame
14	316116400	Receptacle, oven light
15	5303013071	Bulb/Lamp, light
16	08011086	Lens, oven light, glass
17	316087500	Retainer, lens
18 #	316405800	Latch Assembly, oven door
21	316408000	Clip, bodyside
30	316217700	Bracket, hinge, RH, main top
30A	316217701	Bracket, hinge, LH, main top
33	316402500	Shield, rear wall
35	316116600	Gasket, flue
36	316208901	Flue
37 #	316490000	Probe, oven temp
39 #	3131425	Cord, electric power
40	316409600	Shield, warmer drawer, upper
41	316409200	Shield, warmer, RH
41A	316409201	Shield, warmer, LH
42	316400703	Shield, wool, lower
43	3131732	Screw, 8-18 x 1.438, oven bottom
44	316517600	Spacer, oven door
49	316234200	Clip, maintop mtg, (2)
54	316404200	Shield, heat
55	316404800	Shield, flue
58A	316403700	Insulation, oven wrapper
58B	316403600	Insulation, oven back
58G	08067973	Insulation, main front
77	316456700	Glide, warmer drawer, outer/RH & LH, (2)
82	316400801	Shield, bake burner
82*	316432800	Clip, wire
86	316441300	Receptacle, hinge
86*	316418901	Screw, trilobe, 10-32 x 5/16"
87	316401200	Bracket, harness
88	316232700	Rod, auto latch
89 #	316464301	Motor-latch
90	316401100	Shield, main front
91	316401000	Shield, front, burner
106	316404100	Bracket, motor mtg.
107	316026701	Cover, fan
108#	316415700	Motor, convection
109	316136400	Blade, fan

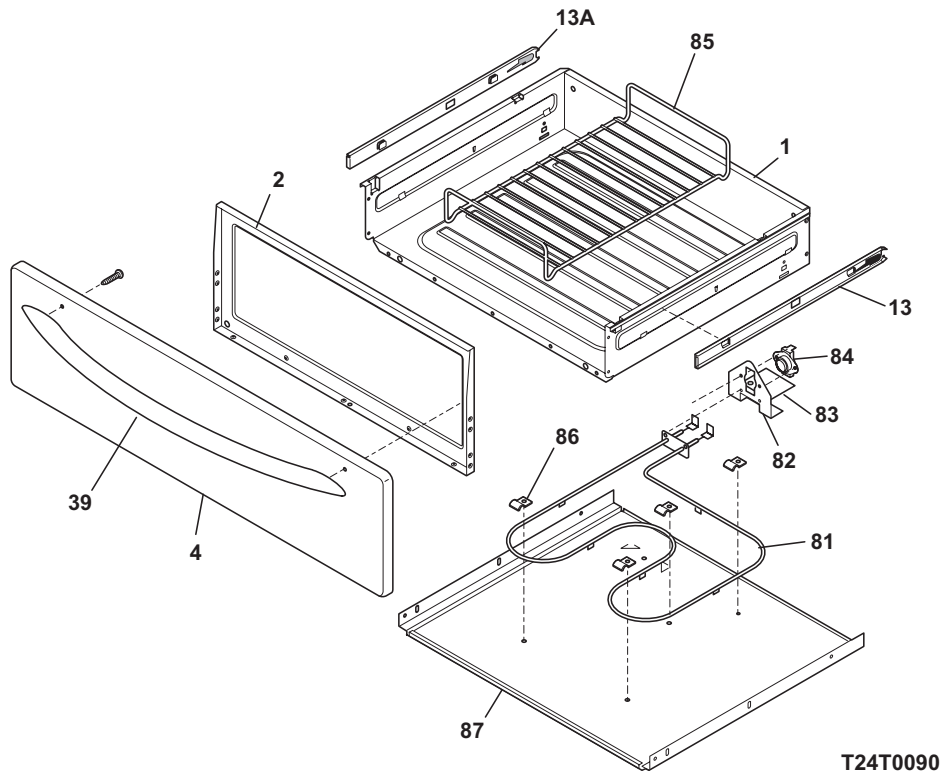
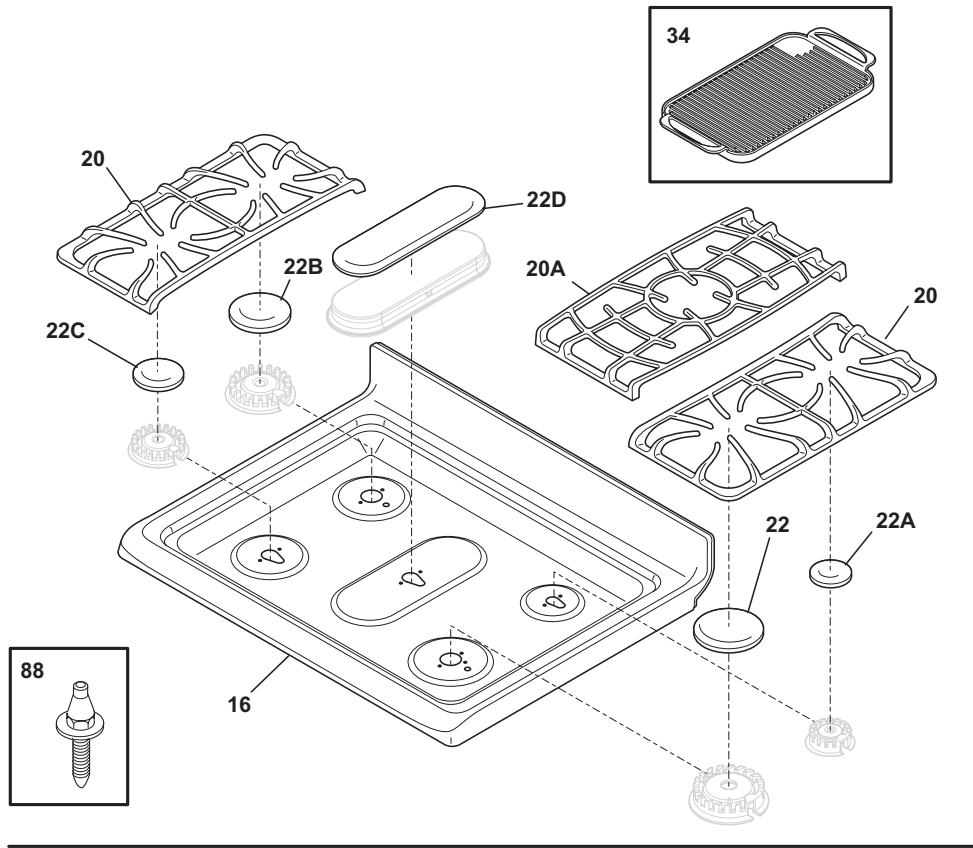
BODY



BODY

POS. NO	PART NO.	DESCRIPTION
111	316136600	Nut, fan retainer
151	316404600	Shield, bodyside
161#	316211603	Element, convection fan, 350 W
170	5303935180	Anti-tip Kit, w/bracket, screw
170*	316107200	Bracket, anti-tip
170*	316112500	Template, anti-tip
170*	316116000	Screw, concrete, 1.75", anti-tip brkt
264	316404700	Bracket, air dam
* #	316416646	Harness, wiring, main
*	316021105	Screw, hex head cup pt, 8-18 x 0.375, black
*	316021108	Screw, cup pt, 8-18 x 0.375, chrome
*	316021110	Screw, 8-18 x 0.5, black
*	316021132	Screw, 8-18 X 11/16, black
*	316089500	Screw, 10-16 x .486
*	5303271648	Screw, wafer hd sq dr, 8-18AB x 0.5
*	5303285179	Screw, wafer head, 8-32T x 0.500, black

TOP/DRAWER

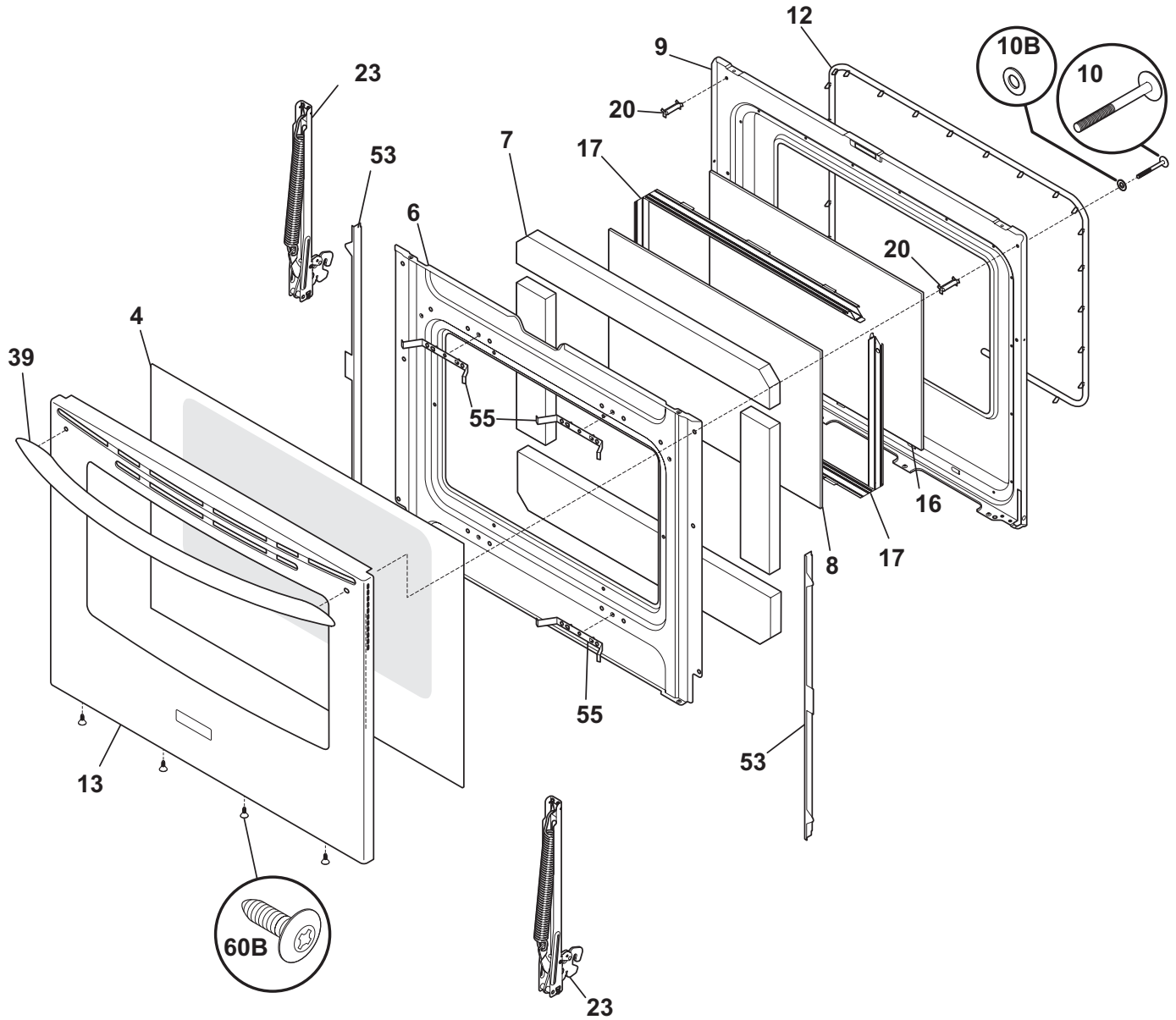


T24T0090

TOP/DRAWER

POS. NO	PART NO.	DESCRIPTION
1	316408901	Drawer, warmer
2	316403203	Liner, black, drawer
4	316409307	Panel, drawer, stainless, outer
13	316415000	Glide, warmer, inner RH
13A	316415001	Glide, warmer, inner LH
16	316411243	Maintop, black
20	316499502	Grate, black, (2)
20A	316499602	Grate, black, center
22	316271904	Cap, 16/17K burner, black
22A	316206604	Cap, 5K burner, black
22B	316213605	Cap, 12K burner, black
22C	316213505	Cap, 9.5K burner, black, (2)
22D	316532103	Cap, 9.5K burner, oval, black, center
34	316499900	Griddle
39	316246100	Handle, door/drawer, stainless
81 #	316437300	Element, warmer drawer
82	316093200	Bracket, element mtg
83	316093300	Shield, terminal, warmer drawer
84	316093501	Thermo disc, warmer drawer
85	316425900	Rack, warmer drawer
86	316095800	Clip, hold down, warmer element
87	316091900	Base, warmer drawer
88	316099500	Pin, guide, (2)
* #	316001917	Harness, warmer drawer
*	316021105	Screw, hex head cup pt, 8-18 x 0.375, black
*	316021108	Screw, cup pt, 8-18 x 0.375, chrome
*	316021109	Screw, 8-18 x 0.5, chrome
*	316021110	Screw, 8-18 x 0.5, black

DOOR



T24D0058

DOOR

POS. NO	PART NO.	DESCRIPTION
4	316452701	Glass, oven door, black, outer
6	316402306	Shield, wool
7	316403900	Insulation, oven door
8	316117500	Glass, oven door, heat barrier
9	316423801	Liner, oven door
10	316001002	Screw, wafer head, 10-24 x 1.81, (2), handle mtg.
10B	316008401	Washer, 3/4 OD x 1/4 ID, steel
12	316403101	Seal, oven door
13	316407810	Panel, oven door, stainless, w/nameplate
16	316117501	Glass, oven door, inner
17	316402403	Spacer, door glass, (2)
20	316408600	Spacer, door handle, (2)
23	316456306	Hinge, oven door, (2)
23*	316418900	Screw, sims lp, #8-32 x 5/16", black
39	316246100	Handle, door/drawer, stainless
53	316408101	Shield, filler, door, (2)
55	316408300	Bracket, glass support, (4)
60B	316021110	Screw, 8-18 x 0.5, black
*	316433603	Label, anti-tip
*	316021109	Screw, 8-18 x 0.5, chrome
*	5303271648	Screw, wafer hd sq dr, 8-18AB x 0.5
*	5303285179	Screw, wafer head, 8-32T x 0.500, black