

Frigidaire

Factory Parts Catalog

Product No.	GLEFM97FPBA	GLEFM97FPWA
Series	30" f/s elec	30" f/s elec
Color	black	white
Market	North America	North America
Owner's Guide	316417010	316417010
Installation Instructions	316454901	316454901
Service Data Sheet	316441416	316441416



Electrolux Major Appliances
 North & Latin America
 P.O. BOX 212378
 AUGUSTA, GA 30917

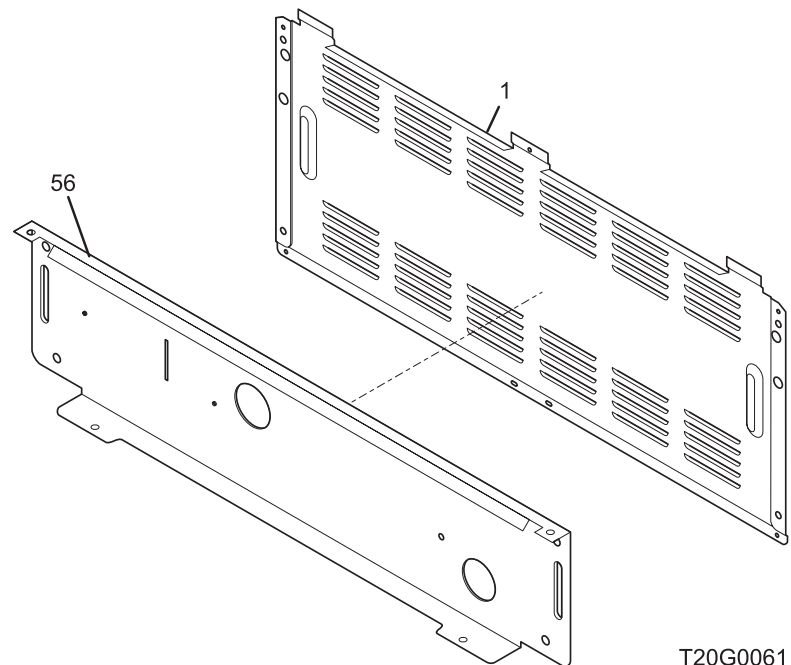
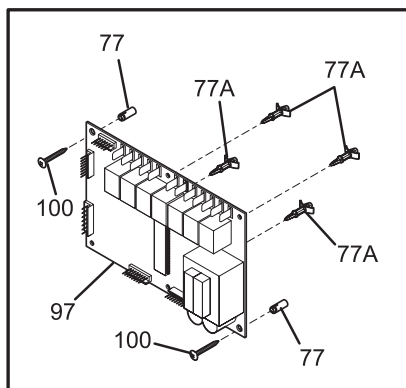
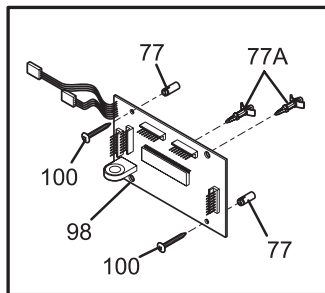
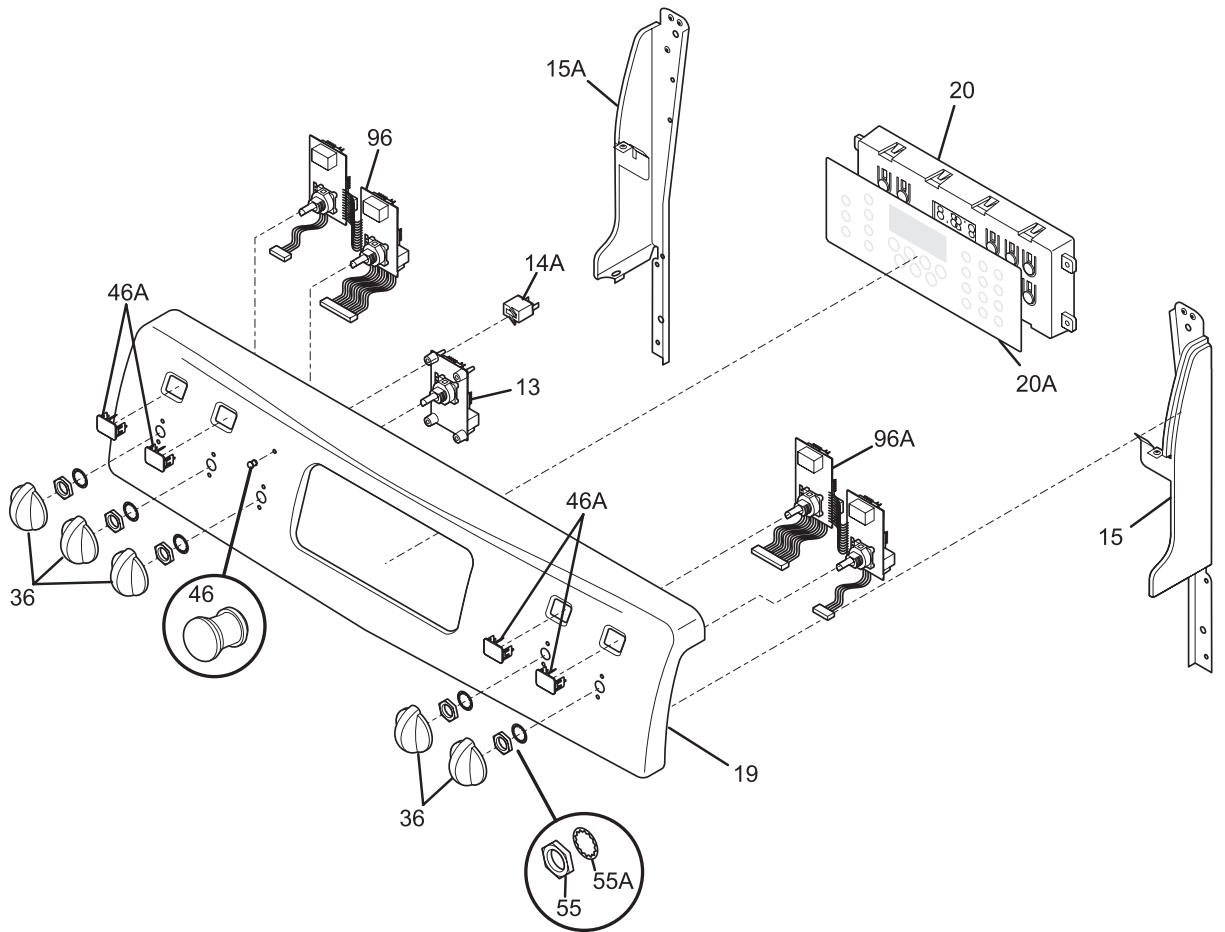
Publication No.
5995464848
 06/04/10
 (EN/SERVICE/ECL)
 369

**30-INCH FREE-
 STANDING ELECTRIC
 RANGE**

Model No.
GLEFM97FP

Copyright © 2006 Electrolux Home Products, Inc.
 All rights reserved.

BACKGUARD



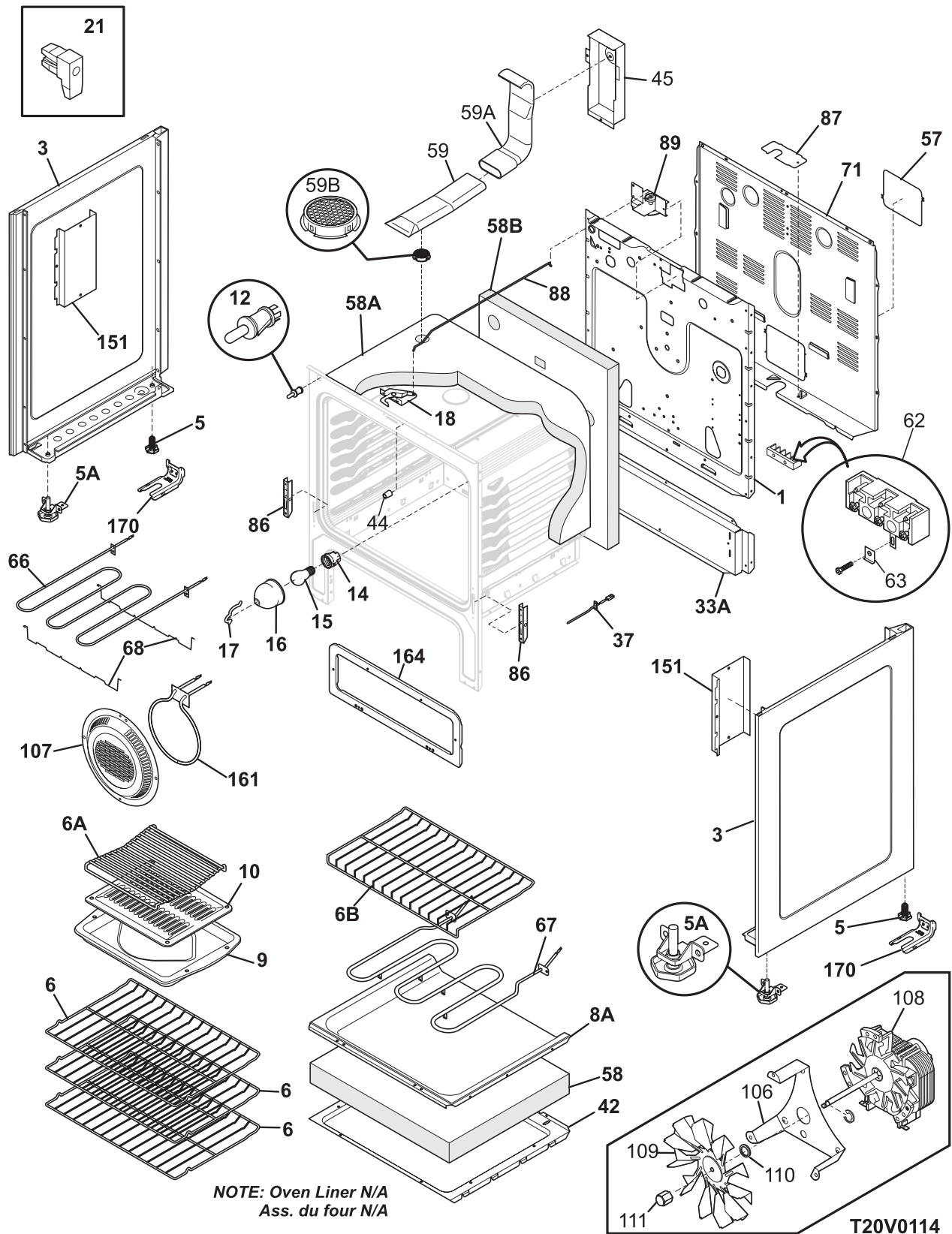
T20G0061

BACKGUARD

Model Index: A GLEFM97FP (GLEFM97FPWA)
B GLEFM97FP (GLEFM97FPBA)

POS. NO	PART NO.		DESCRIPTION
1	316416100	A B	Shield, backguard, rear wall
13	316414400	A B	Control, bake, mini oven
14A	316022500	A B	Light/Lamp, indicator, 125 V
15	316411403	A -	Support, backguard, white, RH
15	316411405	- B	Support, backguard, black, RH
15A	316411402	A -	Support, backguard, white, LH
15A	316411404	- B	Support, backguard, black, LH
19	316424149	A -	Panel, control, white
19	316424150	- B	Panel, control, black
20 #	316418704	A B	Clock/Timer, electronic, w/mini oven, ES510
20A	316419701	A -	Overlay, clock, white, w/mini oven, ES510
20A	316419700	- B	Overlay, clock, black, w/mini oven, ES510
36	316223017	A -	Knob, control, white
36	316223019	- B	Knob, control, black
46	316040201	A B	Lens, indicator light, red
46A	316448000	A B	Lens, LED display
55	316247700	A B	Nut, hex control mtg
55A	316247800	A B	Washer, lock, control mtg
56	316234012	A -	Shield, backguard, white, inner
56	316234013	- B	Shield, backguard, black, inner
77	316247900	A B	Spacer, power board, (2)
77A	316114100	A B	Spacer, (2)
96	316445610	A B	Board, display, LH controls, 2, potentiometers
96A	316445611	A B	Board, display, RH controls, 2, potentiometers
97	316442101	A B	Board, power, relay
98	316442001	A B	Board, rotary, UIB
100	5303289910	A B	Screw, 8A, 1", power board mtg
*	316416916	A B	Harness, main control
*	316416917	A B	Harness, mini oven cntl
*	316021105	A B	Screw, hex head cup pt, 8-18 x 0.375, black
*	316021109	A B	Screw, 8-18 x 0.5, chrome

BODY

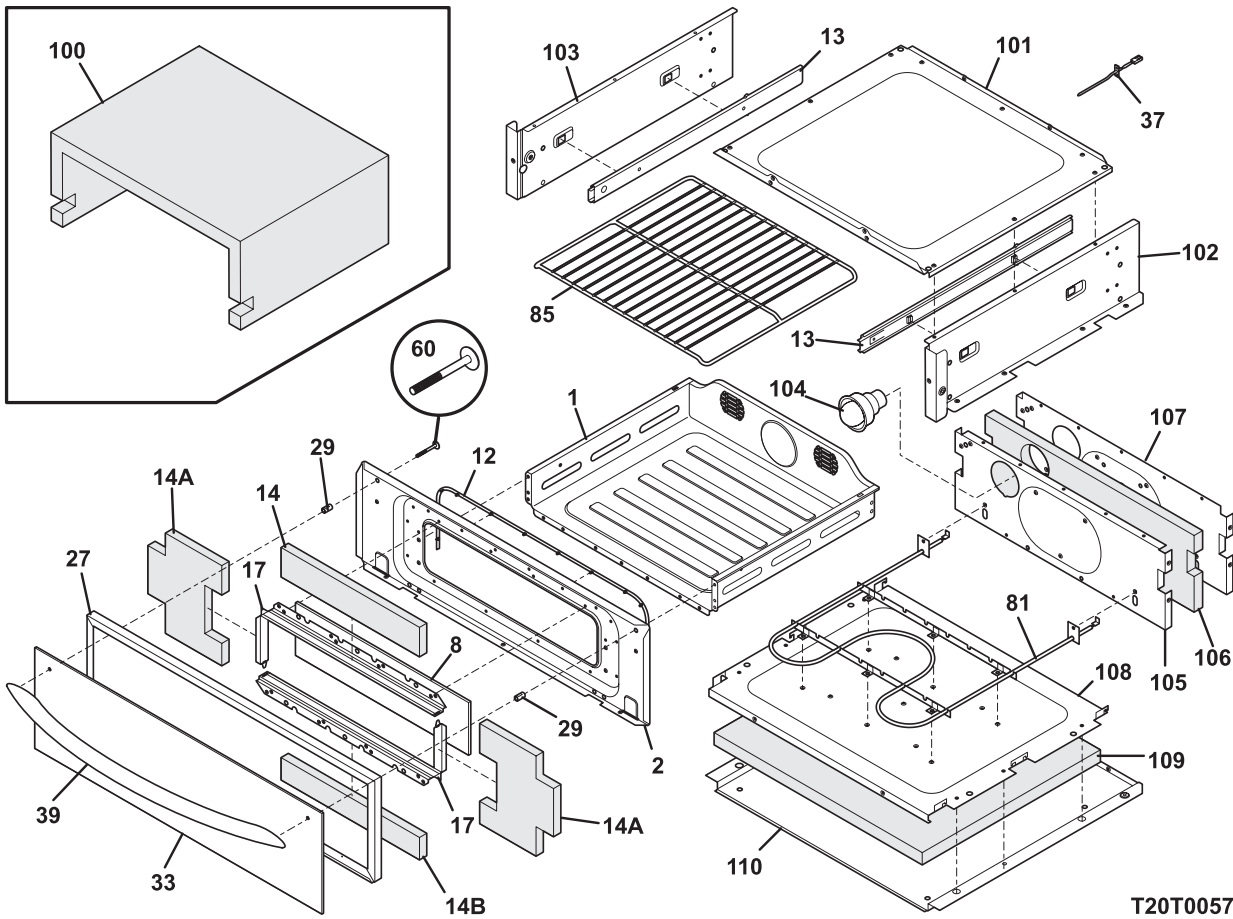
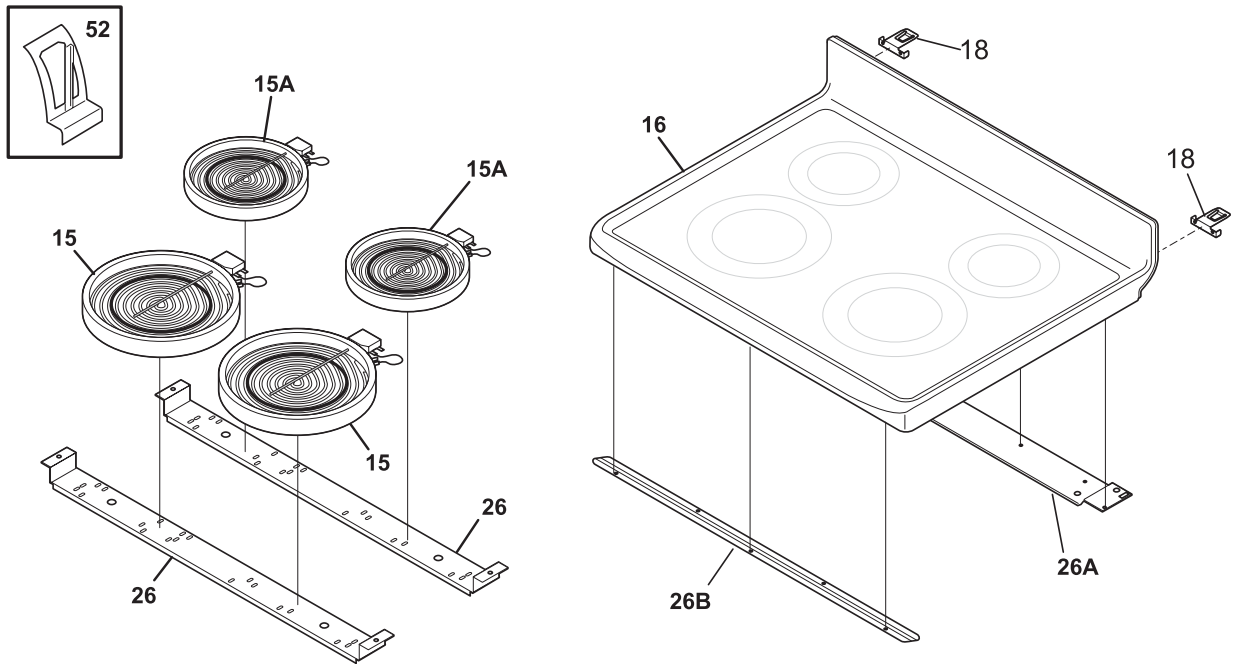


BODY

Model Index: **A** GLEFM97FP (GLEFM97FPWA)
 B GLEFM97FP (GLEFM97FPBA)

POS. NO	PART NO.		DESCRIPTION
1	316401800	A B	Panel, main back
3	316400116	A -	Panel, bodyside, white, RH
3	316400117	A -	Panel, bodyside, white, LH
3	316400118	- B	Panel, bodyside, black, RH
3	316400119	- B	Panel, bodyside, black, LH
5	316272900	A B	Screw, leveling, plastic, rear, (2)
5A	316407201	A B	Leveling Leg Assy, metal, front, (2), bracket & leg
6	316404501	A B	Rack, oven
6A	318219500	A B	Rack, broiler pan
6B	316425400	A B	Rack, oven
8A	316411102	A B	Base, bake element
9	316081900	A B	Pan, broiler
10	316082000	A B	Insert, broiler pan
12	316445500	A B	Switch, oven light, door frame
14	316116400	A B	Receptacle, oven light
15	5303013071	A B	Bulb/Lamp, light
16	08011086	A B	Lens, oven light, glass
17	316087500	A B	Retainer, lens
18 #	316405800	A B	Latch Assembly, oven door
21	316408000	A B	Clip, bodyside
33A	316402100	A B	Shield, rear wall, lower
37 #	316217001	A B	Probe, oven temp
42	316407700	A B	Shield, wool, lower
44	316246501	A B	Spacer, oven door
45	316234100	A B	Shield, wire, vent tube
57	316457800	A B	Cover, access
58	316403801	A B	Insulation, oven sump
58A	316406600	A B	Insulation, oven wrapper
58B	316406500	A B	Insulation, oven back
59	316208201	A B	Tube, oven vent, lower
59A	316208304	A B	Tube, oven vent, upper
59B	316247300	A B	Catalyst, oven vent, ceramic
62	5304409888	A B	Terminal Block Kit
62*	316085600	A B	Insulator
62*	316205500	A B	Nut, hex flange, 3/8 10-32
63	316278800	A B	Plate, grounding strap
66 #	316430900	A B	Element, broil, 4000W
67	316415900	A B	Element, bake, 3500W, 6 pass
68	316429100	A B	Support, element, broil
71	316422304	A B	Shield, rear wall
86	316441300	A B	Receptacle, hinge
86*	316418901	A B	Screw, trilobe, 10-32 x 5/16"
87	316081200	A B	Bracket, cable mtg
88	316203500	A B	Rod, auto latch
89 #	316415400	A B	Motor, latch/lock
106	316404100	A B	Bracket, motor mtg.
107	316026701	A B	Cover, fan
108#	316415800	A B	Motor, fan
109	316136400	A B	Blade, fan
110	316136500	A B	Washer, flat
111	316136600	A B	Nut, fan retainer
151	316404600	A B	Shield, bodyside
161#	316211603	A B	Element, convection fan, 350 W
164	316410301	A B	Trim, front, mini oven
170	5303935180	A B	Anti-tip Kit, w/bracket, screw
170*	316107200	A B	Bracket, anti-tip
170*	316112500	A B	Template, anti-tip
170*	316116000	A B	Screw, concrete, 1.75", anti-tip brkt
* #	316416417	A B	Harness, wiring, main
*	32033550	A B	Plug, button, oven bottom
*	316021105	A B	Screw, hex head cup pt, 8-18 x 0.375, black
*	316021110	A B	Screw, 8-18 x 0.5, black
*	316021132	A B	Screw, 8-18 X 11/16, black
*	316089500	A B	Screw, 10-16 x .486
*	5303271648	A B	Screw, wafer hd sq dr, 8-18AB x 0.5
*	5303285179	A B	Screw, wafer head, 8-32T x 0.500, black
*	5308014215	A B	Screw, 6-20 x 0.312

TOP/DRAWER



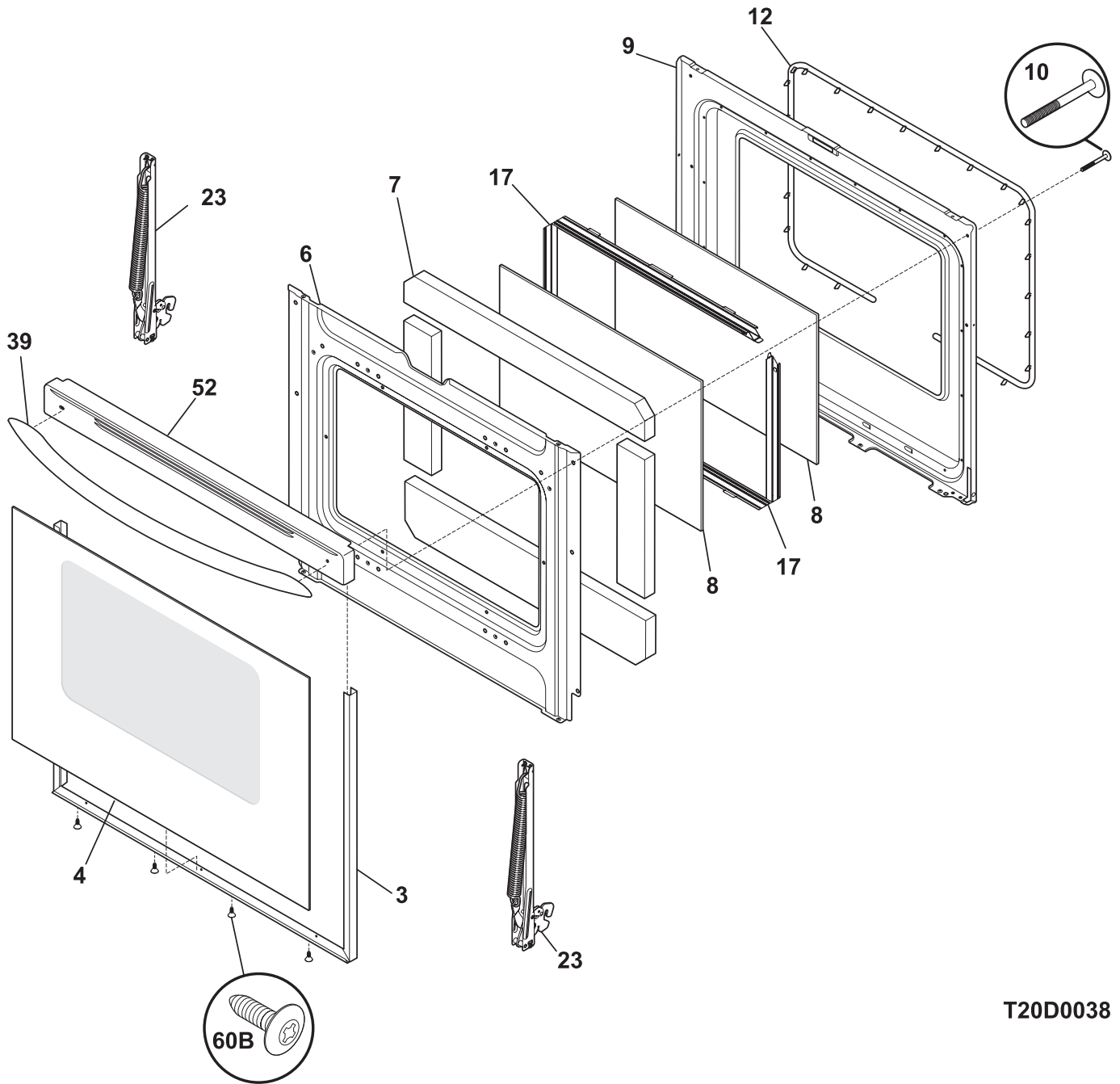
T20T0057

TOP/DRAWER

Model Index: A GLEFM97FP (GLEFM97FPWA)
B GLEFM97FP (GLEFM97FPBA)

POS. NO	PART NO.		DESCRIPTION
1	316414101	A B	Drawer, mini oven
2	316409803	A B	Liner, drawer, mini oven, w/window
8	316431901	A B	Glass, inner door, mini oven
12	316410700	A B	Seal, door, mini oven
13	316449800	A B	Glide, drawer, mini oven, (2)
14	316414202	A B	Insulation, door top, mini oven
14A	316414201	A B	Insulation, door sides, mini oven, (2)
14B	316414203	A B	Insulation, door bottom, mini oven
15 #	316418400	A B	Element, dual, 9"6", surface, 1200W/1300W, radiant
15A#	316419901	A B	Element, surface, dual, 750W/1800W, (2)
16	316421260	A -	Maintop, frame/glass, white
16	316421262	- B	Maintop, frame/glass, black
17	316431801	A B	Spacer, glass, mini oven, (2)
18	316436600	A B	Hinge Bracket, maintop, (2)
26	316427600	A B	Channel, element support, (2)
26A	316099202	A B	Bracket, chassis support, rear
26B	316214200	A B	Bracket, chassis support, front
27	316409901	A -	Trim, door, white
27	316409902	- B	Trim, door, black
29	316429000	A B	Spacer, handle, (2)
29*	316437600	A B	Washer, shoulder, nylon, (2)
33	316410003	A -	Glass, drawer, white, front
33	316410004	- B	Glass, drawer, black, front
37 #	316217003	A B	Probe, oven temp, mini oven
39	316246102	A -	Handle, door/drawer, white
39	316246103	- B	Handle, door/drawer, black
39*	316463401	A -	Spacer, handle, gray, 20, (2)
39*	316463400	- B	Spacer, handle, black, (2)
52	316278300	A B	Clip, element mtg
60	316001013	A B	Screw, wafer head, 10-24 X 1.375, handle mtg.
81 #	316413900	A B	Element, bake, mini oven
85	316411000	A B	Rack, mini oven
100	316410900	A B	Insulation, wrapper, mini oven
101	316410201	A B	Panel, top, mini oven
102	316431201	A B	Panel, oven side, RH, mini oven
103	316431203	A B	Panel, oven side, LH, mini oven
104	316431500	A B	Light Assembly, mini oven
105	316431303	A B	Panel, main back, mini oven
106	316431400	A B	Insulation, oven back, mini oven
107	316431307	A B	Shield, main back, mini oven
108	316410101	A B	Panel, bottom, mini oven
109	316410800	A B	Insulation, floor, mini oven
110	316410400	A B	Shield, floor, mini oven
*	316021109	A B	Screw, 8-18 x 0.5, chrome
*	316416902	A B	Harness, mini oven, to light
*	316468100	A B	Cleaner, smoothtop, w/sponge
* #	316416863	A B	Harness, wiring, surface
* #	316416901	A B	Harness, mini oven, to probe
*	316021105	A B	Screw, hex head cup pt, 8-18 x 0.375, black
*	316021110	A B	Screw, 8-18 x 0.5, black
*	5308014215	A B	Screw, 6-20 x 0.312

DOOR



T20D0038

DOOR

Model Index: **A** GLEFM97FP (GLEFM97FPWA)
 B GLEFM97FP (GLEFM97FPBA)

POS. NO	PART NO.		DESCRIPTION
3	5303935243	A -	Trim kit-door, 3 sided, white, w/tape
3	5303935245	- B	Trim kit-door, 3 sided, black, w/tape
4	316406400	A -	Glass, oven door, white, outer
4	316406401	- B	Glass, oven door, black, outer
6	316406307	A B	Shield, wool
7	316405600	A B	Insulation, oven door
8	316117500	A B	Glass, oven door, heat barrier
9	316423701	A B	Liner, oven door
10	316422204	A B	Screw, 10-24 x 2.02", (2)
10*	316008401	A B	Washer, 3/4 OD x 1/4 ID, steel
12	316405000	A B	Seal, oven door
17	316402403	A B	Spacer, door glass, (2)
23	316456303	A B	Hinge, oven door, blue titan, (2)
23*	316418900	A B	Screw, sims lp, #8-32 x 5/16", black
39	316246102	A -	Handle, door/drawer, white
39	316246103	- B	Handle, door/drawer, black
52	316405100	A -	Cap, door trim, white
52	316405101	- B	Cap, door trim, black
60B	316021110	A B	Screw, 8-18 x 0.5, black
*	316433603	A B	Label, anti-tip
*	316021109	A B	Screw, 8-18 x 0.5, chrome
*	5303271648	A B	Screw, wafer hd sq dr, 8-18AB x 0.5
*	5303285179	A B	Screw, wafer head, 8-32T x 0.500, black